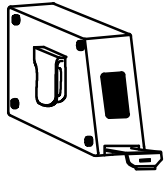
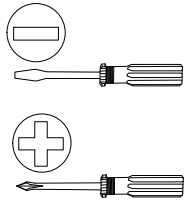
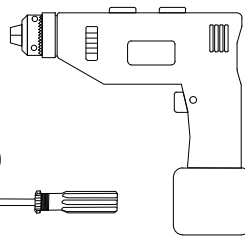
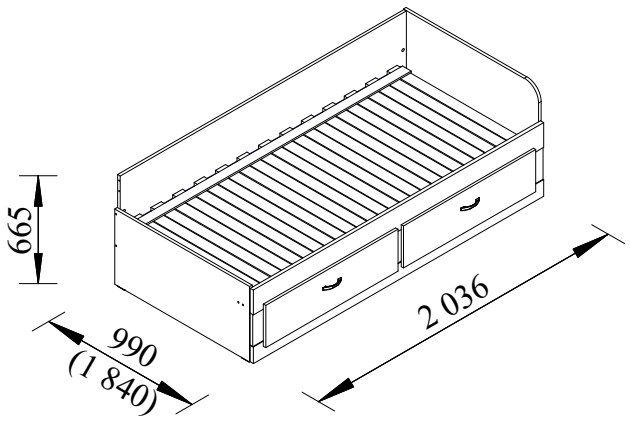
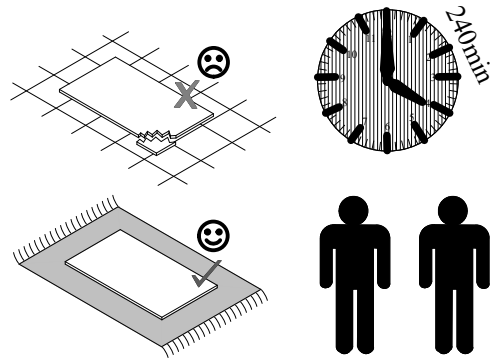
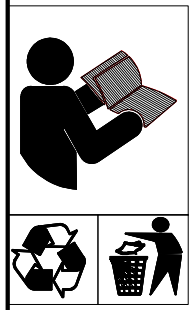
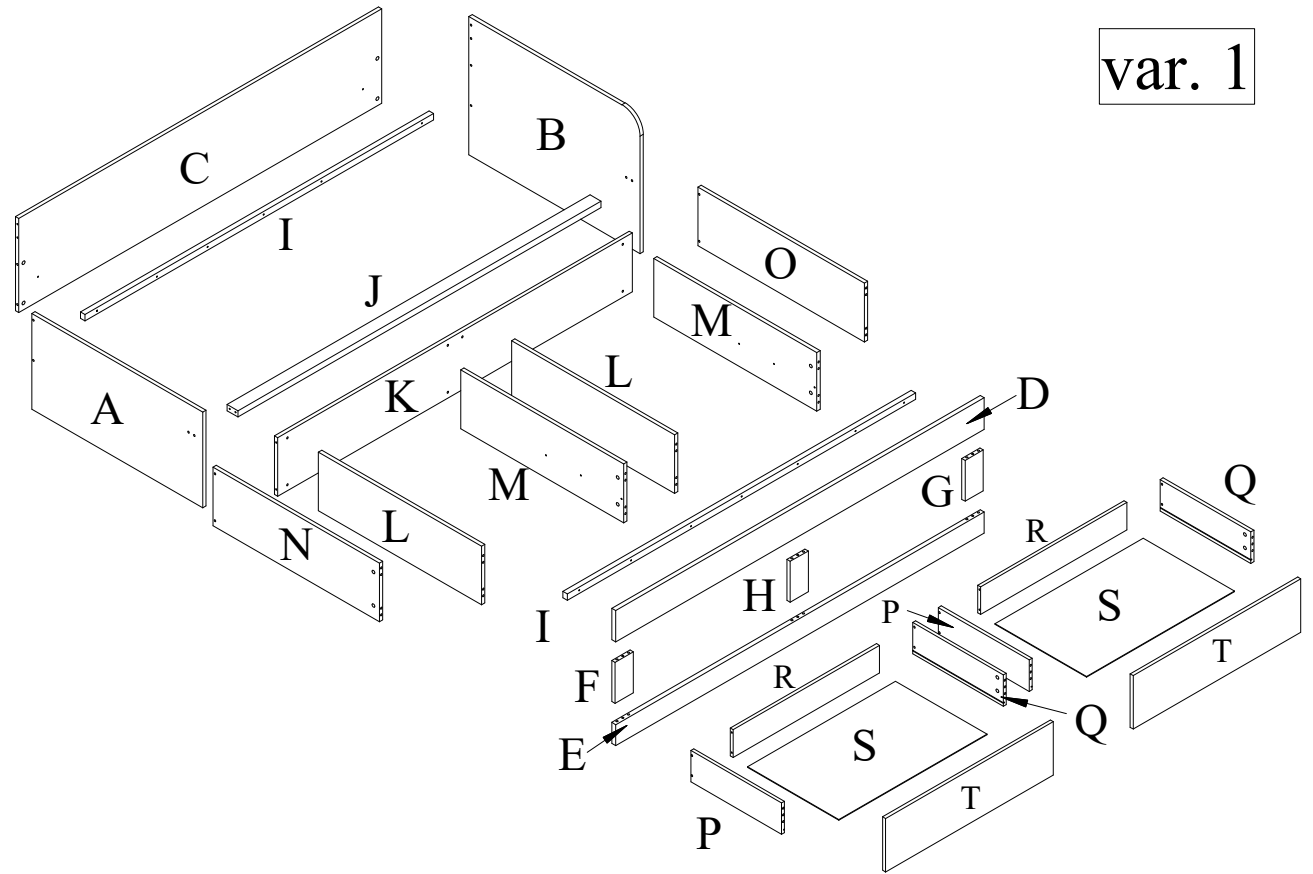


SC 353



var. 1



COLLI 1/4				
K	1954	x	280	1
N + O	917	x	280	2
L	898	x	280	2
T	924	x	255	2

COLLI 2/4				
W	1880	x	60	1
C	2000	x	450	1
E	2030	x	100	1
D	2030	x	150	1
I	1920	x	30	2
J	2000	x	60	1

COLLI 3/4				
B	942	x	660	1
A	942	x	457	1
S	816	x	504	2
M	898	x	280	2
P	500	x	150	2
Q	500	x	150	2
R	806	x	132	2
F + G	195	x	100	2
H	195	x	100	1

COLLI 4/4				
U	885	x	70	12
V	918	x	70	13

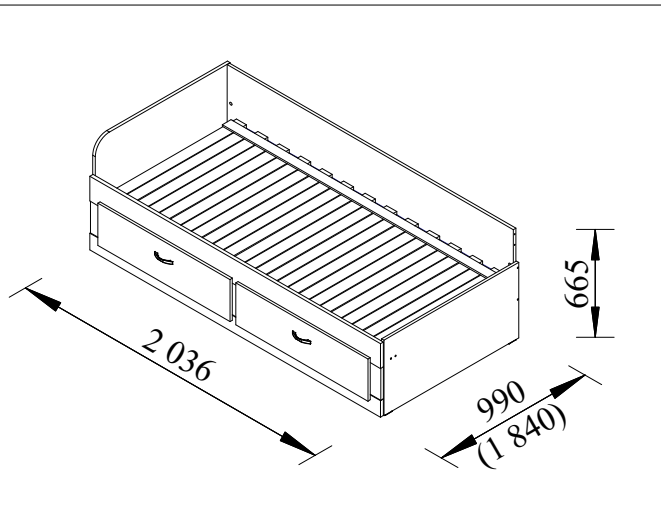
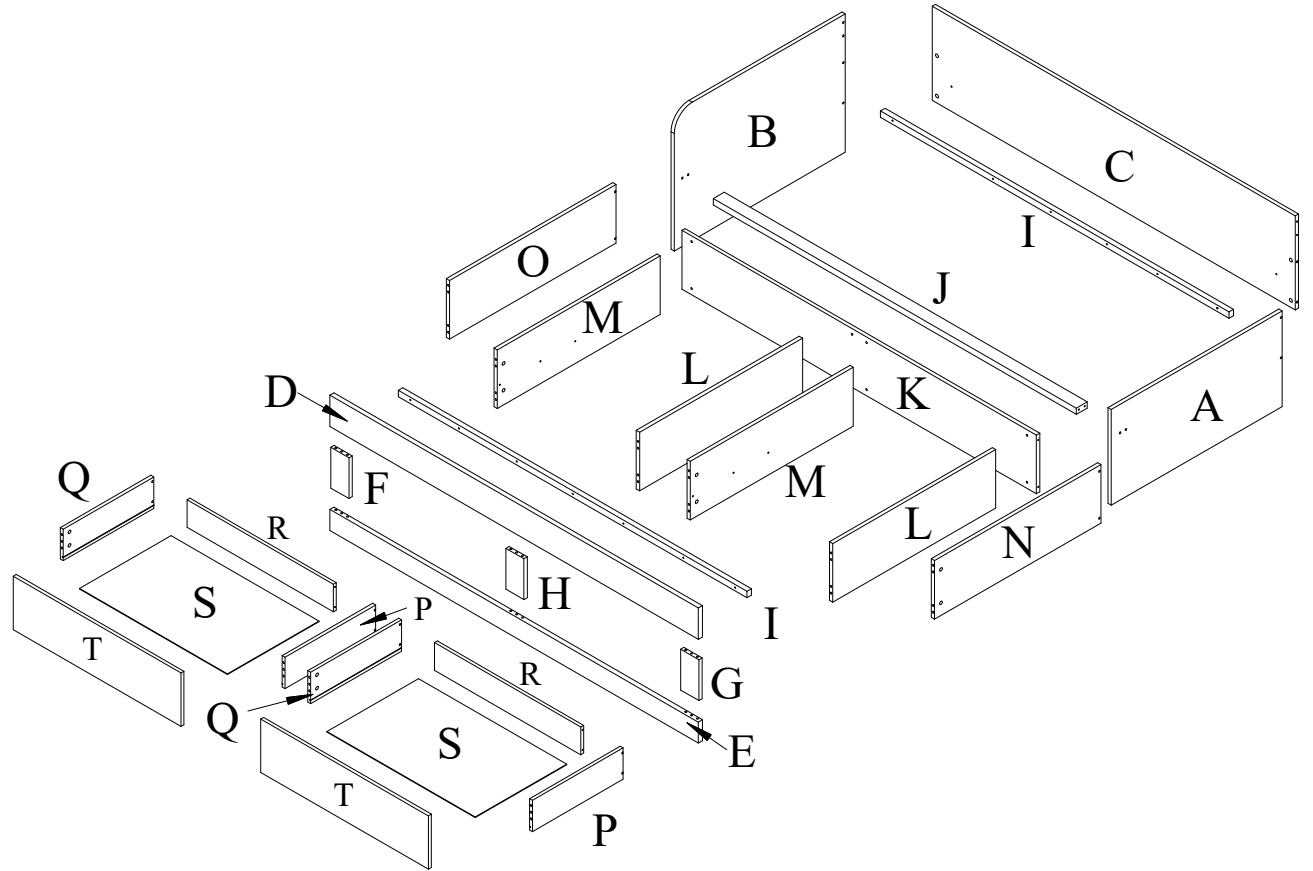
COLLI 1/4				
K	1954	x	280	1
N+O	917	x	280	2
L	898	x	280	2
T	924	x	255	2

COLLI 4/4				
U	885	x	70	12
V	918	x	70	13

var. 2

COLLI 2/4				
W	1880	x	60	1
C	2000	x	450	1
E	2030	x	100	1
D	2030	x	150	1
I	1920	x	30	2
J	2000	x	60	1

COLLI 3/4				
B	942	x	660	1
A	942	x	457	1
S	816	x	504	2
M	898	x	280	2
P	500	x	150	2
Q	500	x	150	2
R	806	x	132	2
F+G	195	x	100	2
H	195	x	100	1

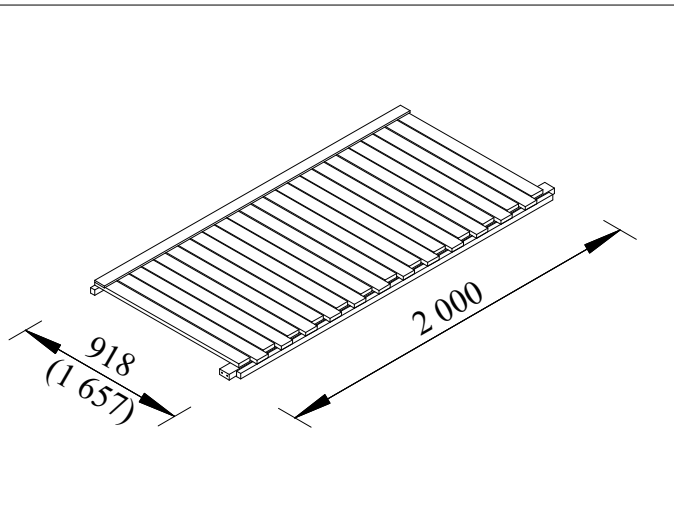
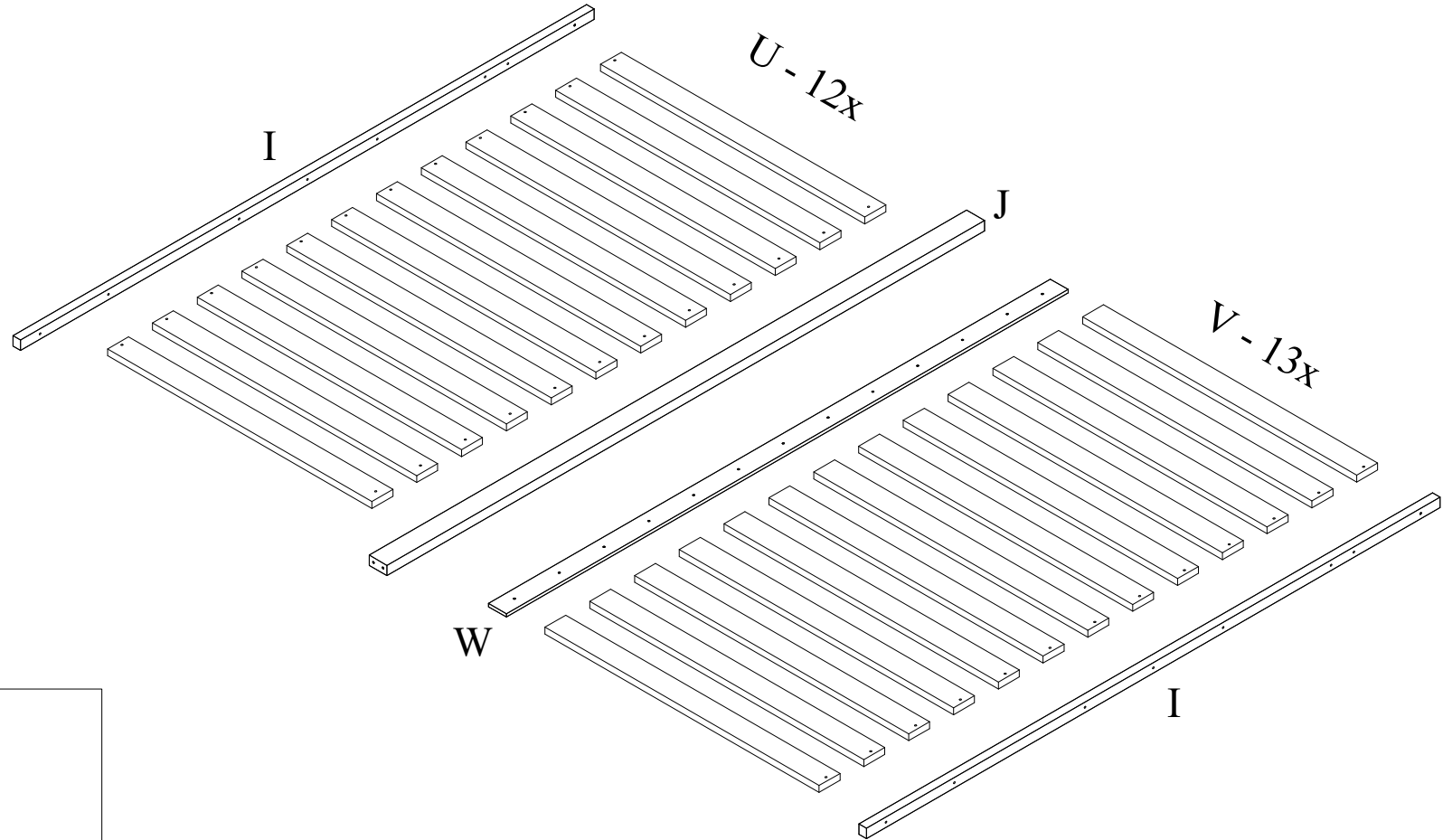


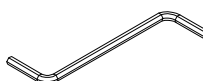
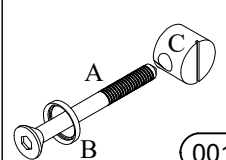
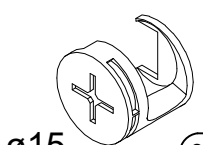
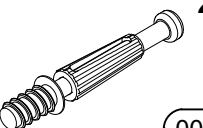
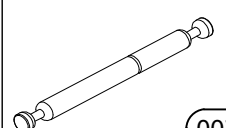
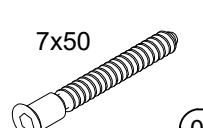
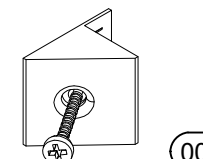
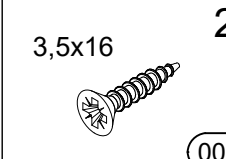

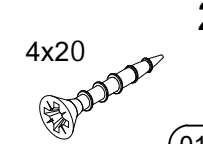
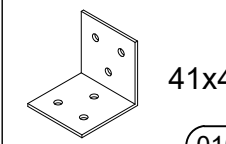
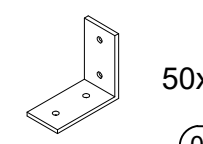

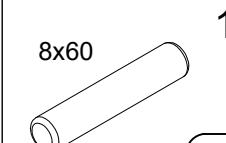
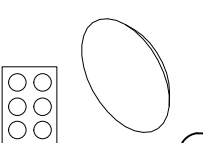
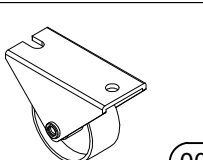
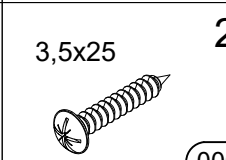
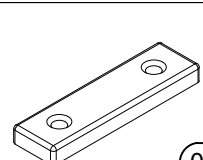
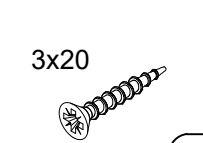

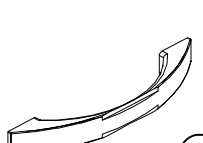
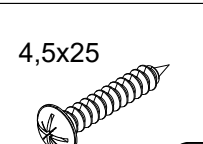
COLLI 1/4				
K	1954	x	280	1
N+O	917	x	280	2
L	898	x	280	2
T	924	x	255	2

COLLI 4/4				
U	885	x	70	12
V	918	x	70	13


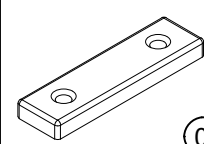
COLLI 2/4				
W	1880	x	60	1
C	2000	x	450	1
E	2030	x	100	1
D	2030	x	150	1
I	1920	x	30	2
J	2000	x	60	1

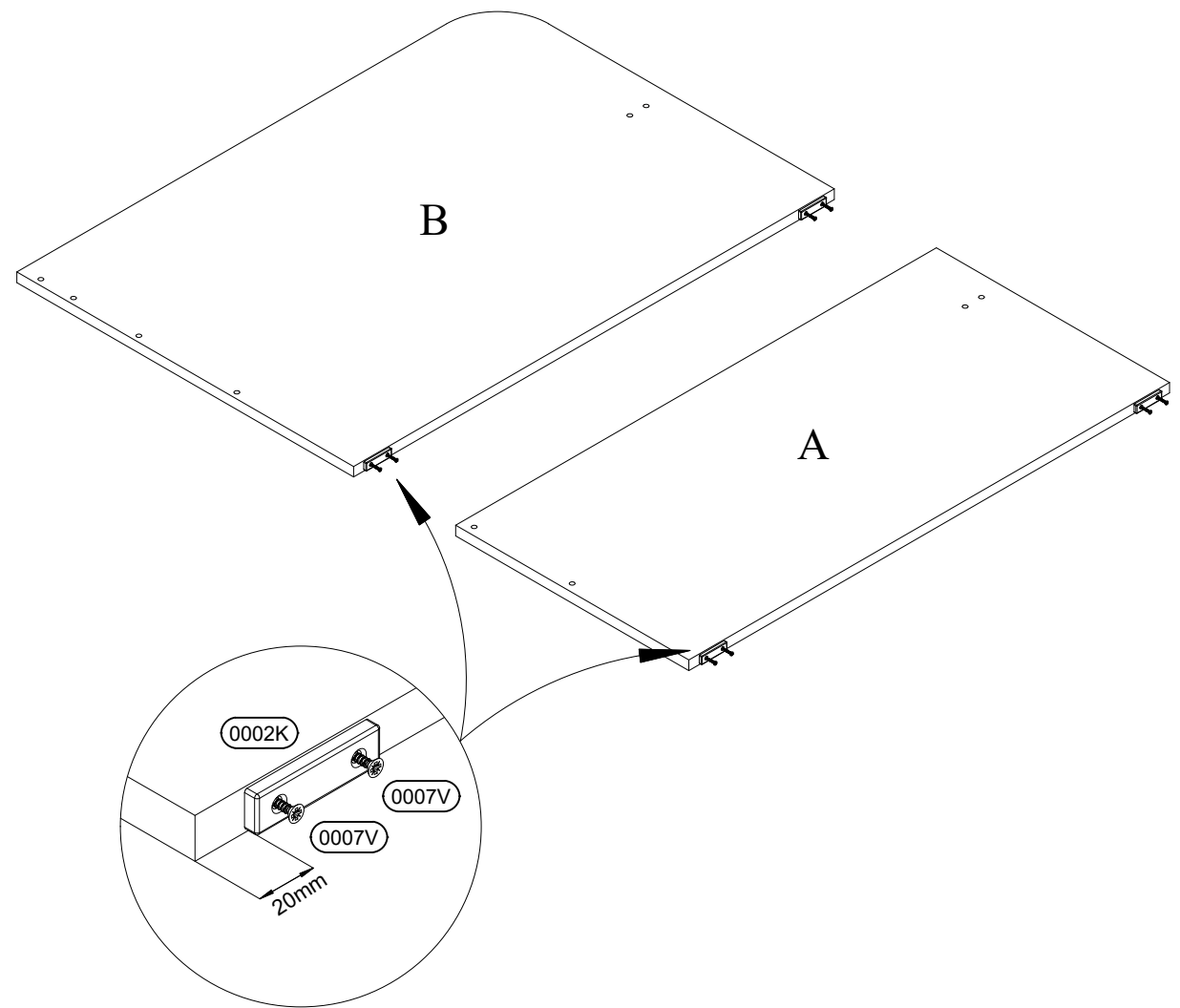
COLLI 3/4				
B	942	x	660	1
A	942	x	457	1
S	816	x	504	2
M	898	x	280	2
P	500	x	150	2
Q	500	x	150	2
R	806	x	132	2
F+G	195	x	100	2
H	195	x	100	1



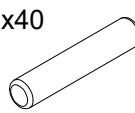

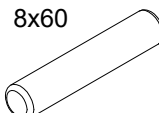

 <b>1x</b> 0013K	 <b>4x</b> A B C 0010V	 <b>32x</b> $\varnothing 15$ 0018K
 <b>20x</b> 0019K	 <b>6x</b> 0074K	 <b>26x</b> 7x50 0005V
 <b>4x</b> 0004K	 <b>28x</b> 3,5x16 0002V	 <b>51x</b> 4x35 0012V
 <b>23x</b> 4x20 0159K	 <b>2x</b> 41x41 0108K	 <b>2x</b> 50x50 0108K
 <b>16x</b> 8x40 0001K	 <b>12x</b> 8x60 0034K	 <b>8x</b> 0054K
 <b>8x</b> 0065K	 <b>28x</b> 3,5x25 0006V	 <b>4x</b> 0002K
 <b>8x</b> 3x20 0007V	 <b>2x</b> 0127K	 <b>2x</b> 0016U
 <b>4x</b> 4,5x25 0022V		

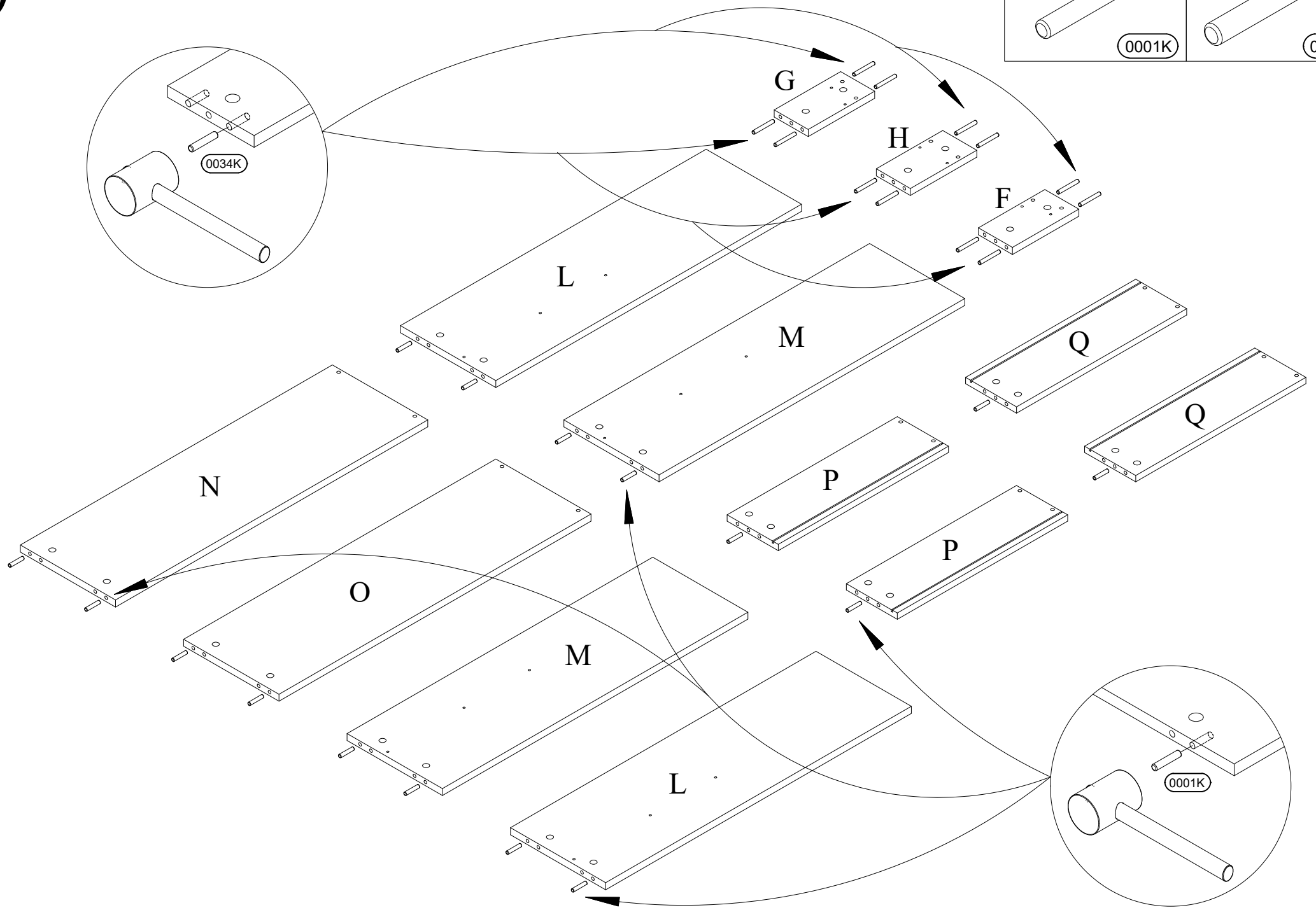
1)

 <b>8x</b> 3x20 0007V	 <b>4x</b> 0002K
--	--

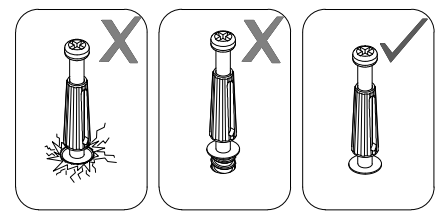
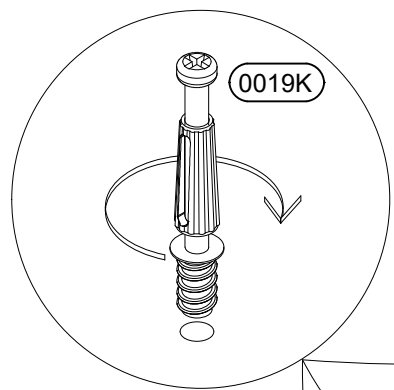
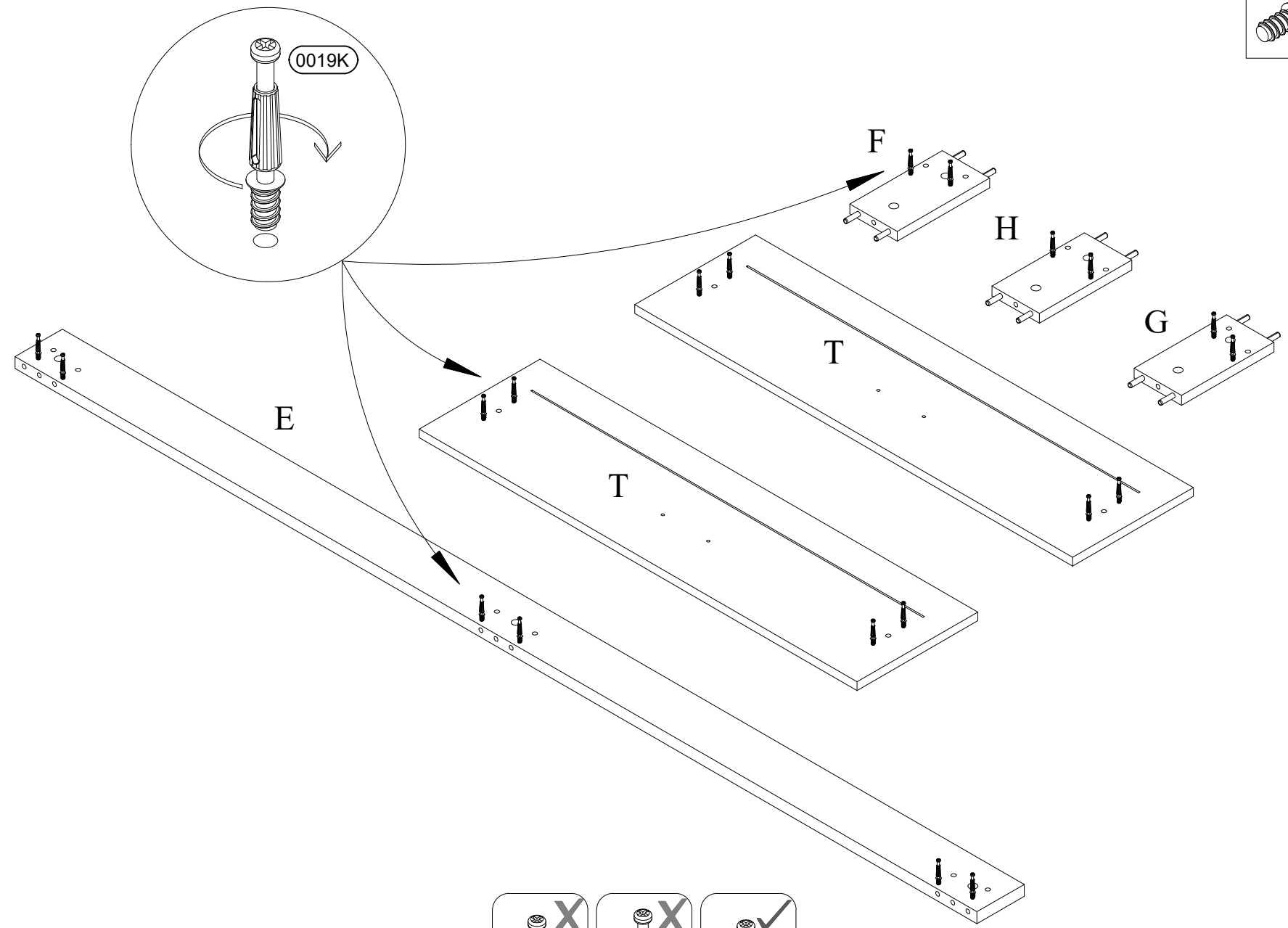
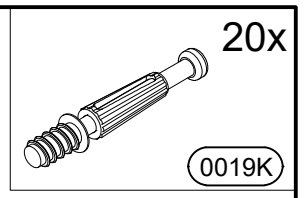


2)

8x40	16x	8x60	12x
			
	0001K		0034K



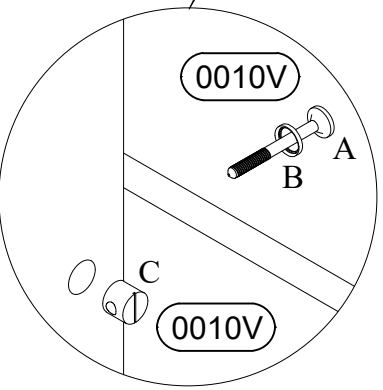
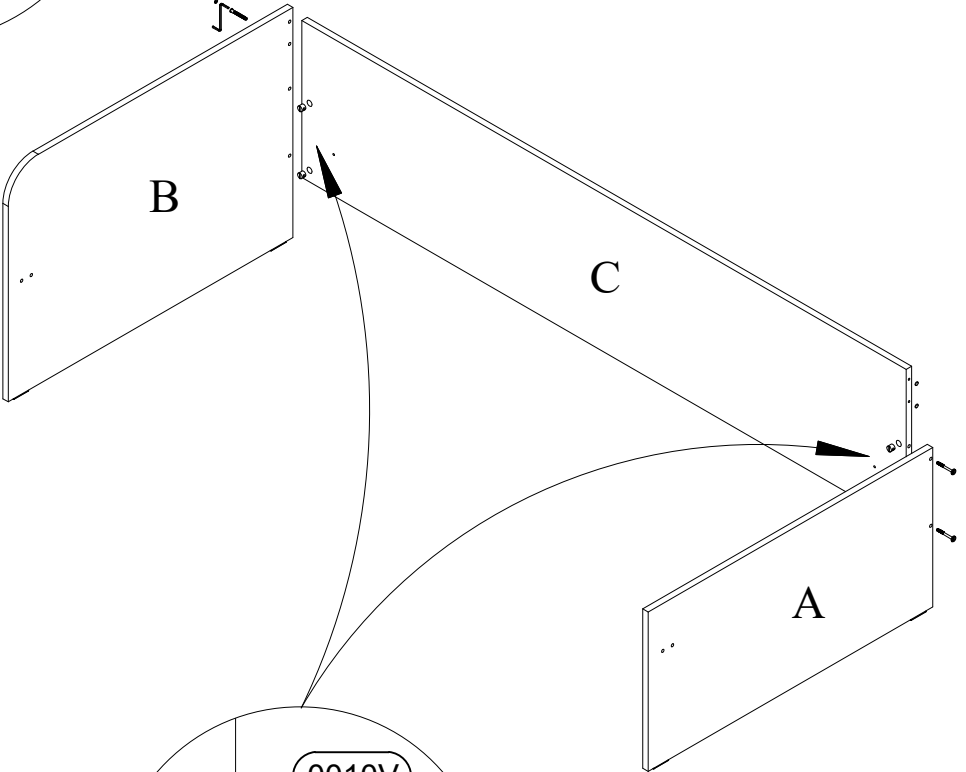
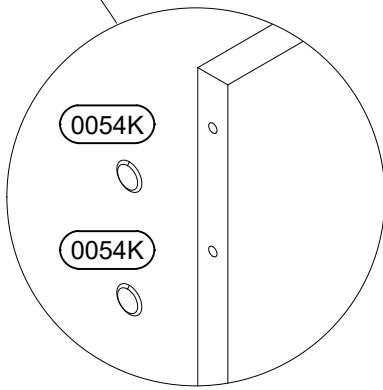
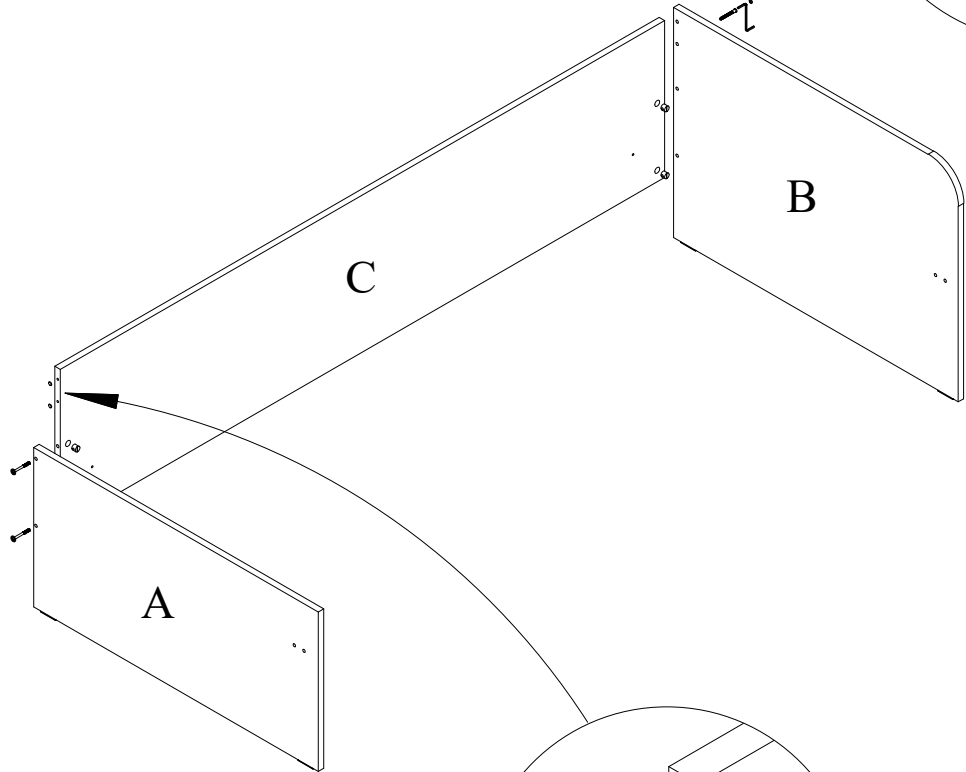
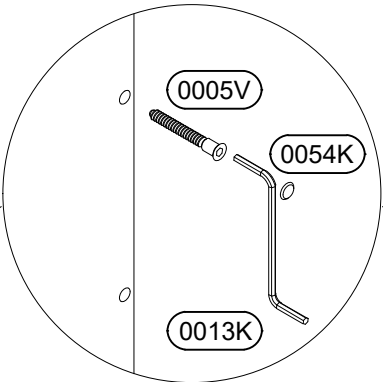
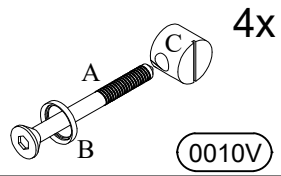
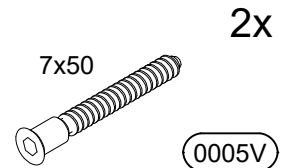
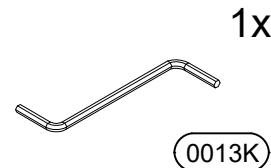
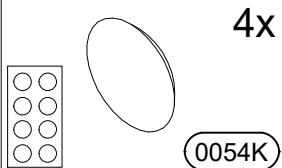
3)



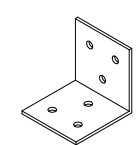
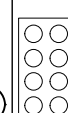

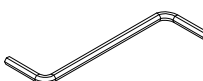
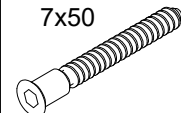


4)

var. 1

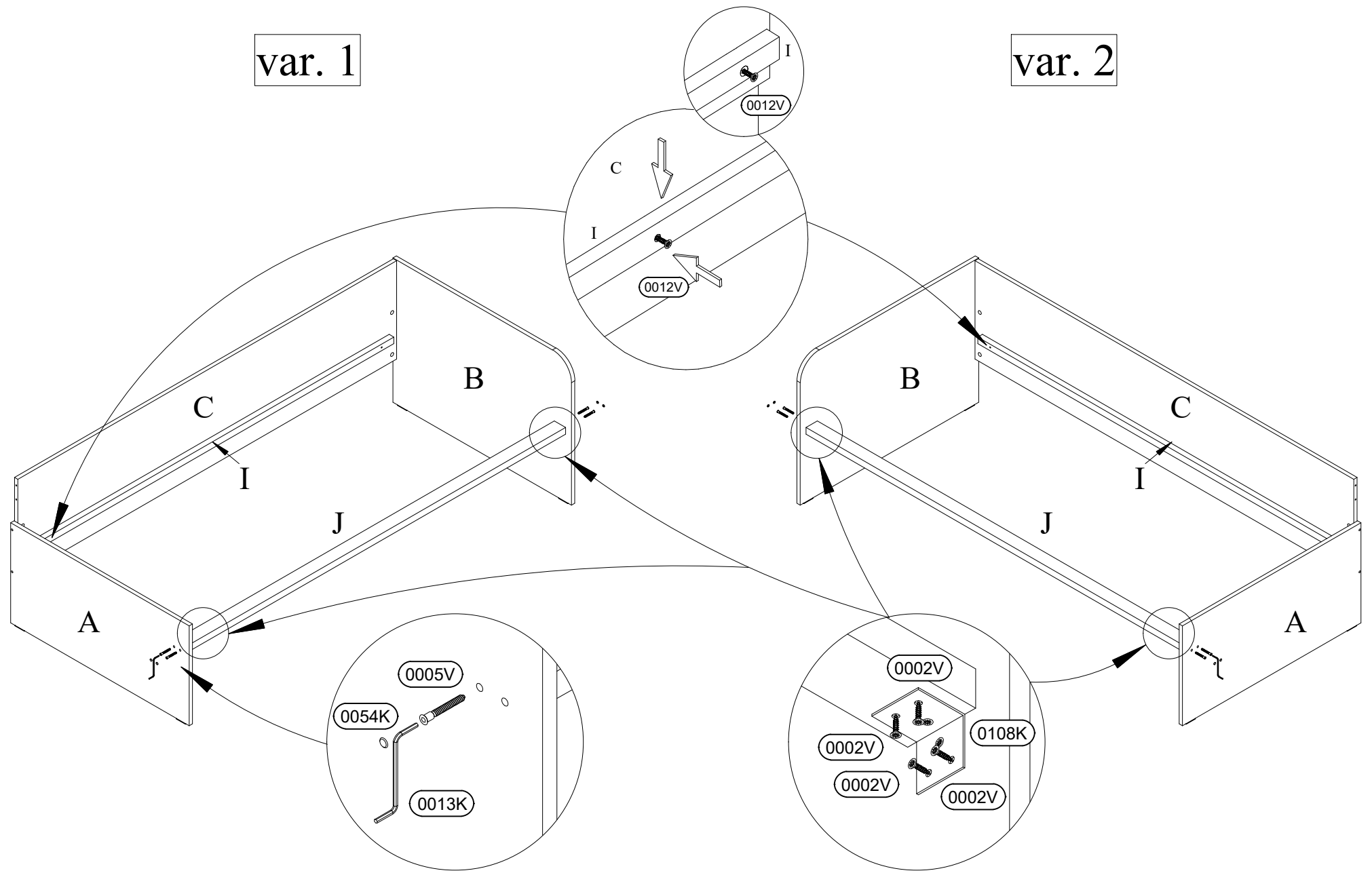
var. 2



- 5)
- |   |   |  |   |   |   |   |
|---|---|--|---|---|---|---|
| 4x35<br><br>0012V | 7x<br>3,5x16<br><br>0002V | 12x<br><br>0108K | 2x<br>41x41<br> | 4x<br><br>0054K | 1x<br><br>0013K | 4x<br>7x50<br><br>0005V |
|---|---|--|---|---|---|---|

var. 1


var. 2

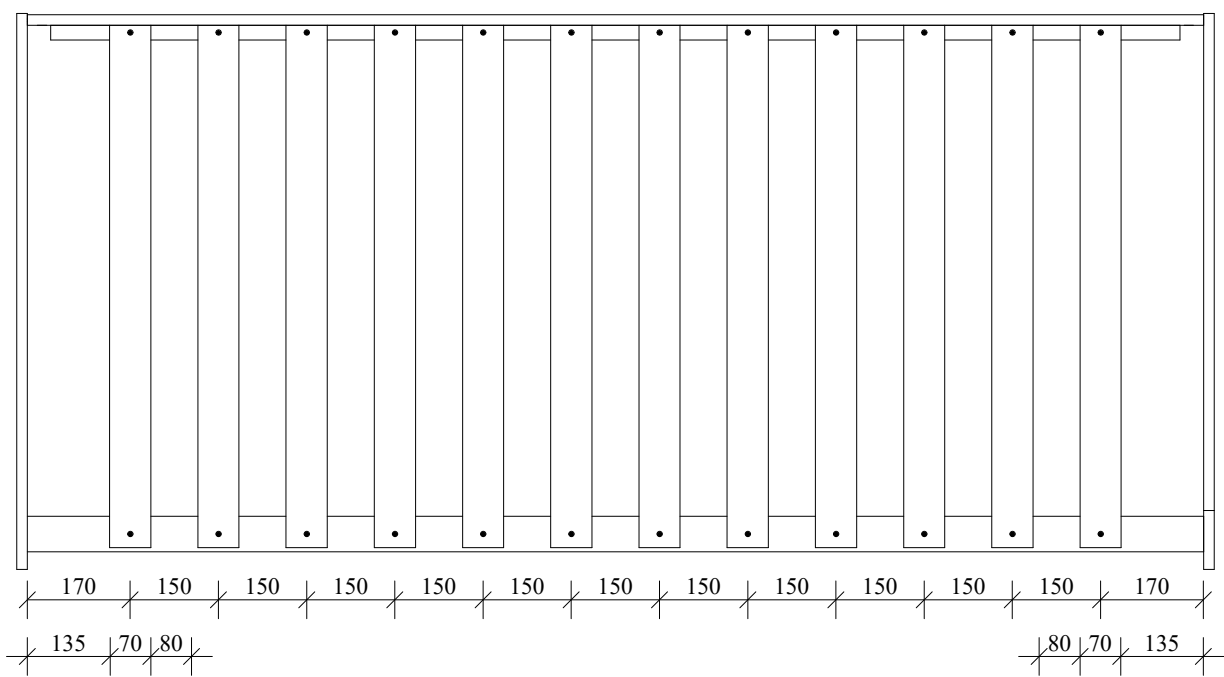
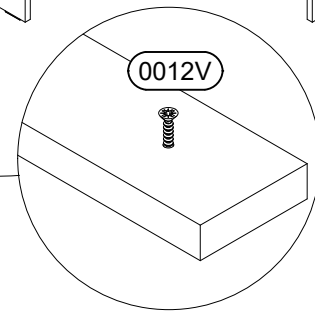
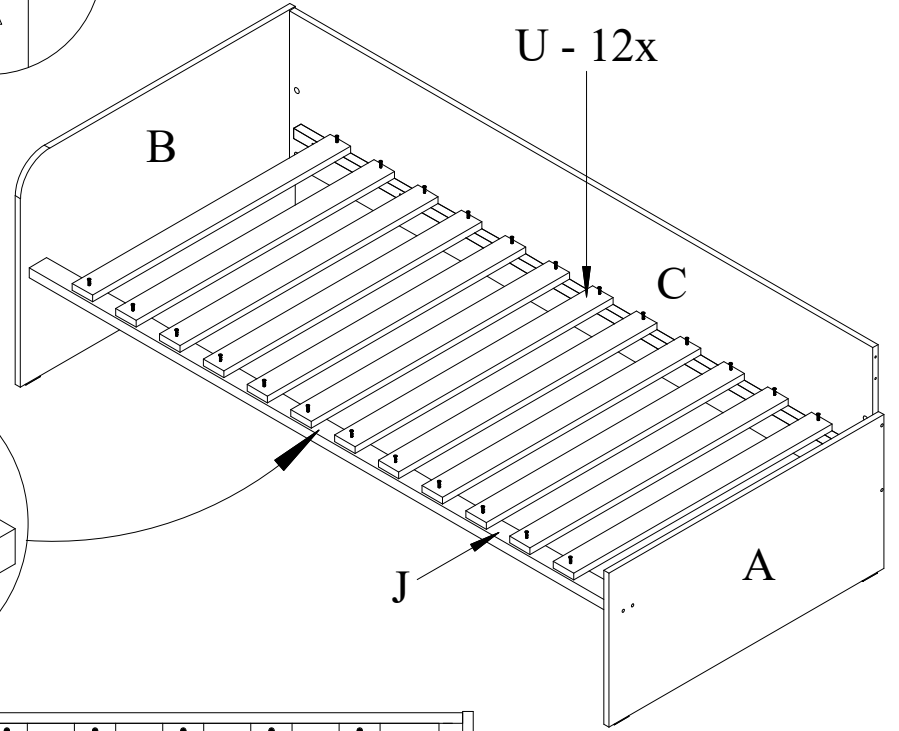
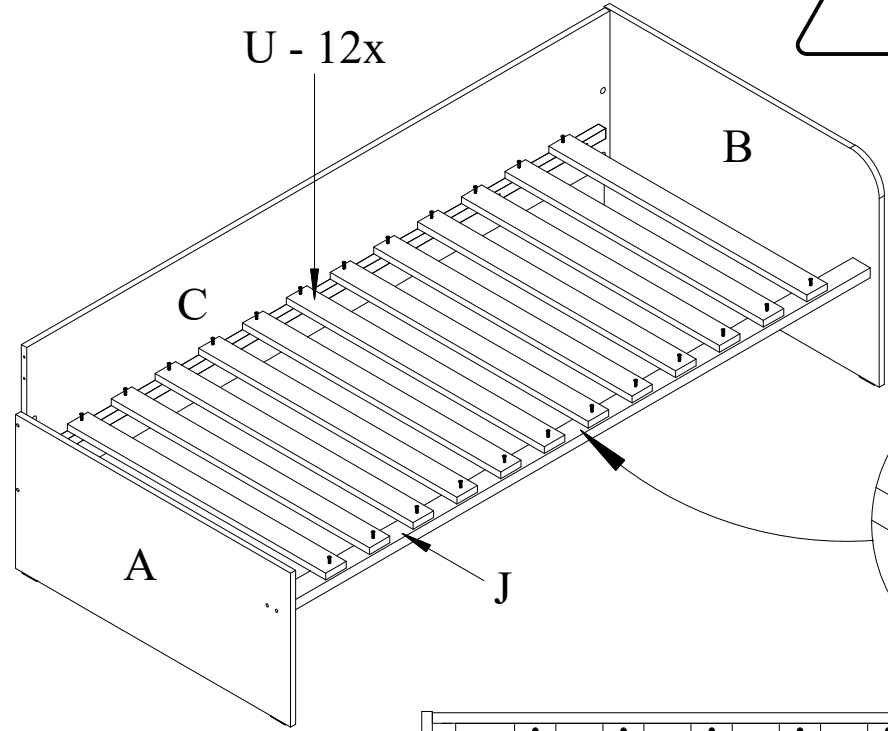
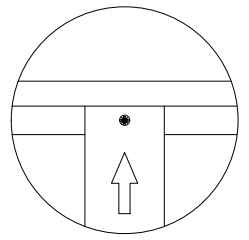


6)

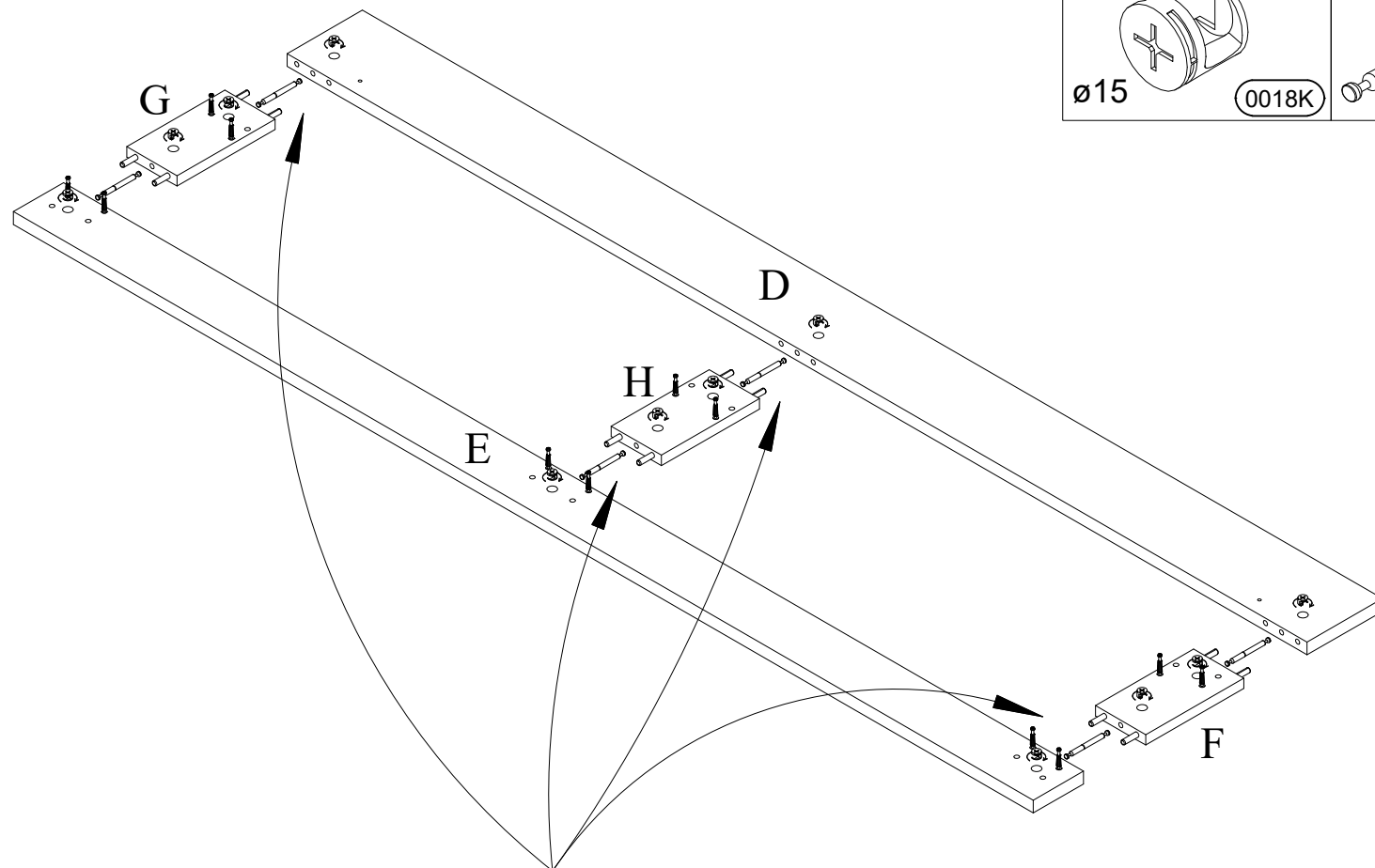
var. 1

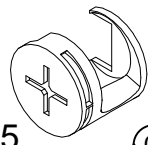
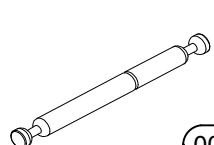
var. 2

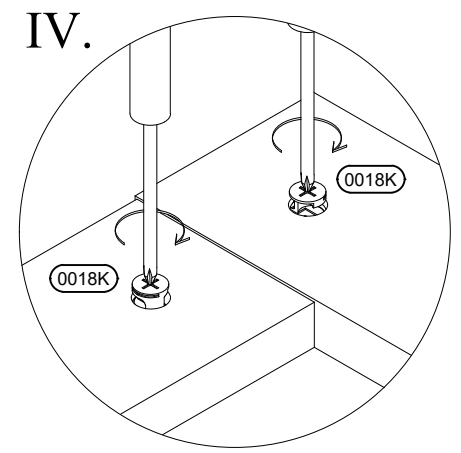
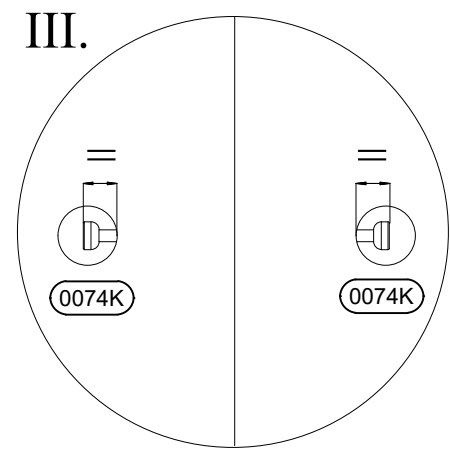
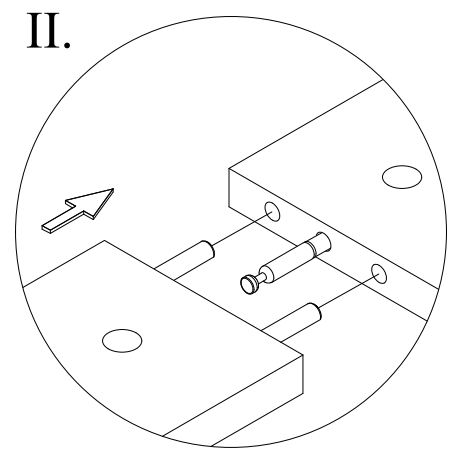
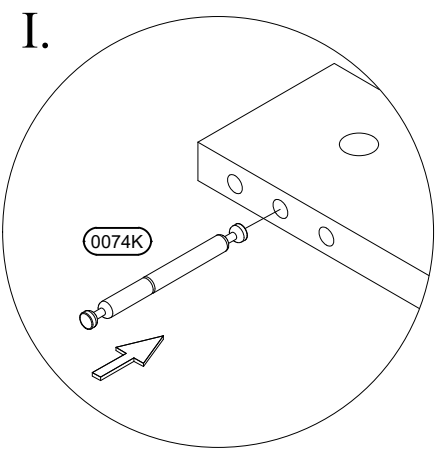
4x35 24x  
  
 0012V

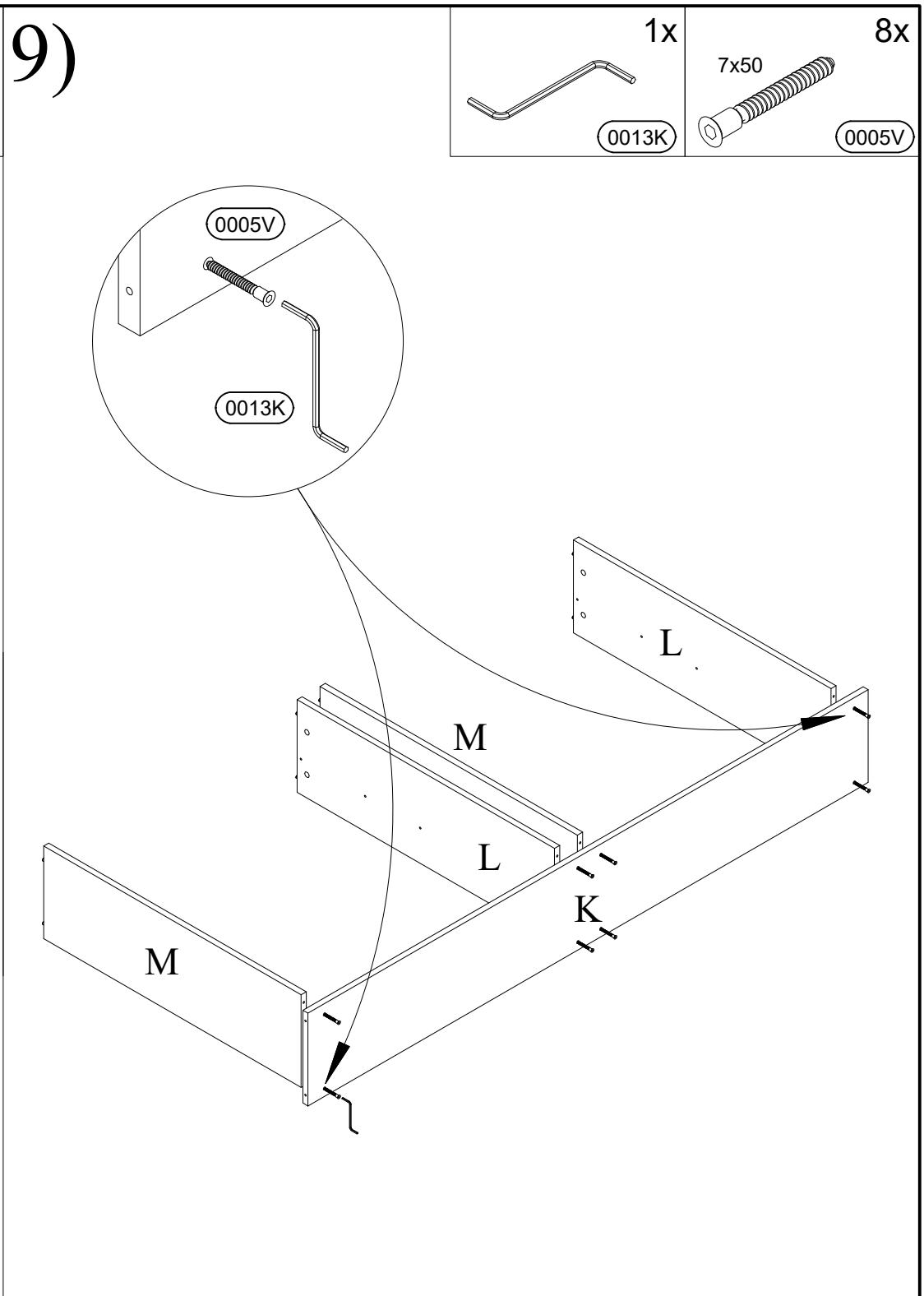
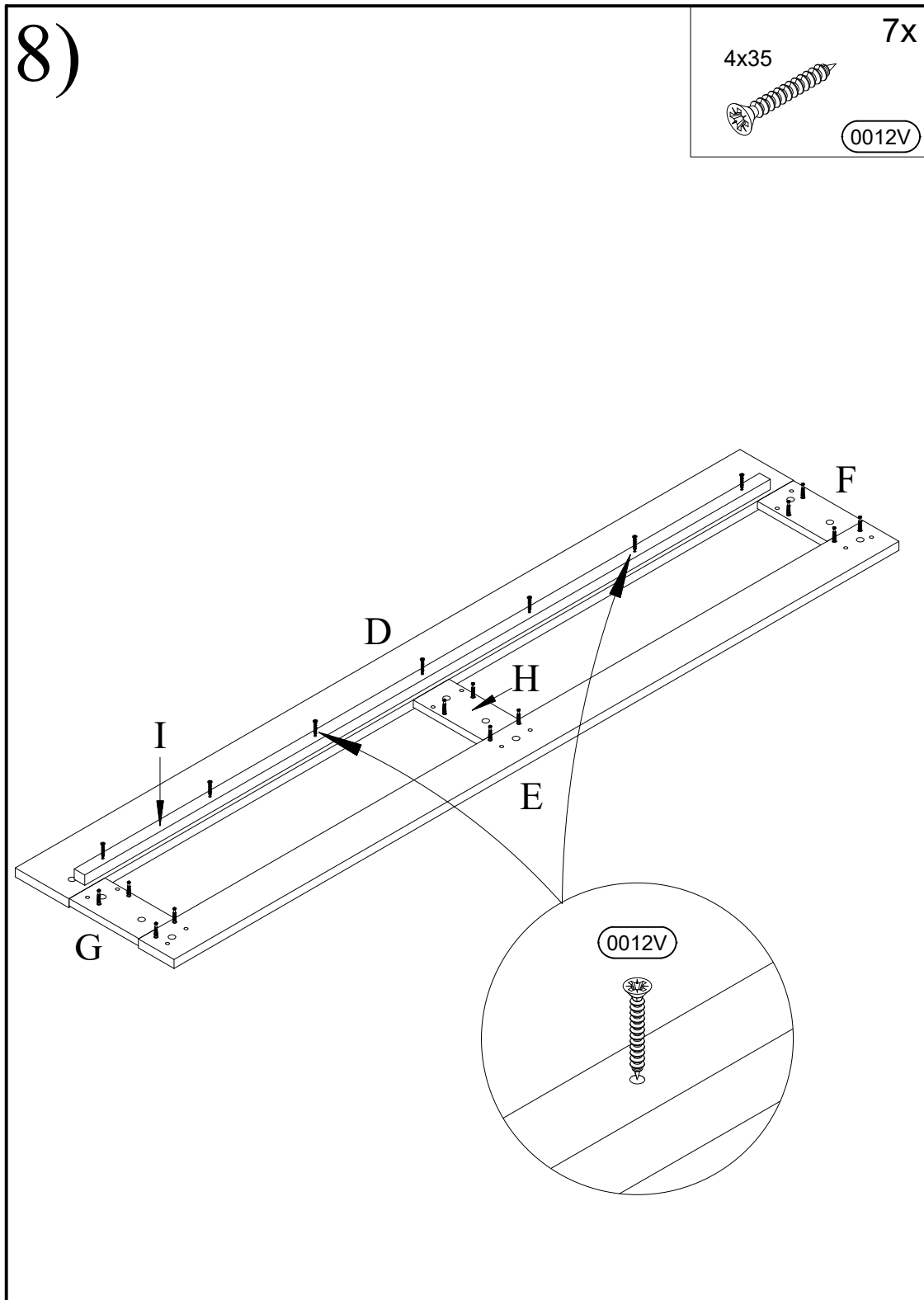


7)

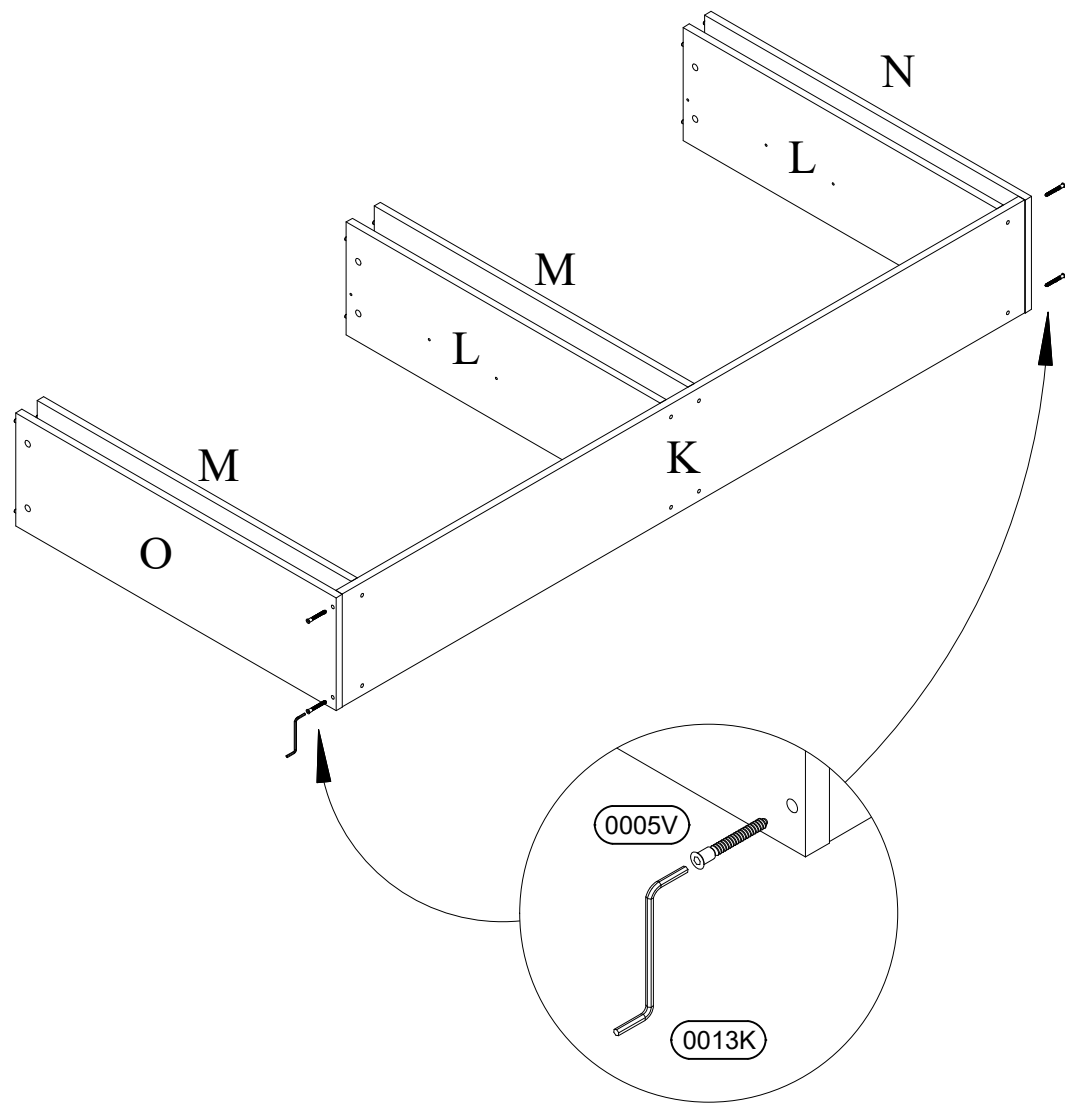
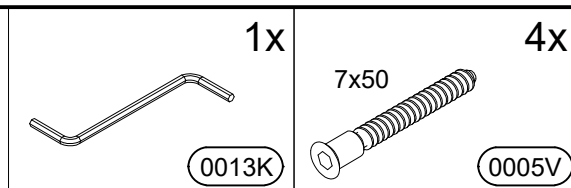


 12x ø15 0018K	 6x 0074K
---	---

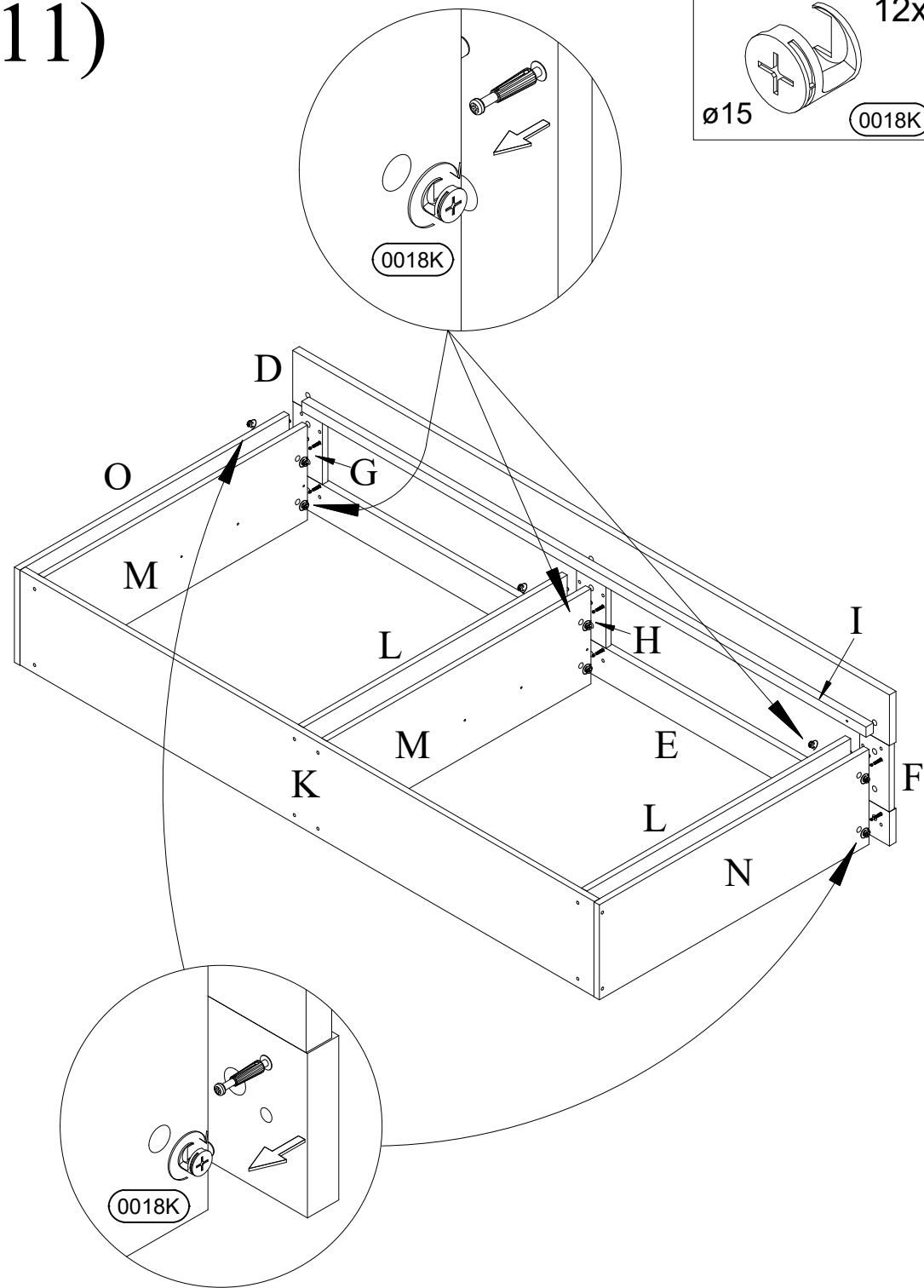
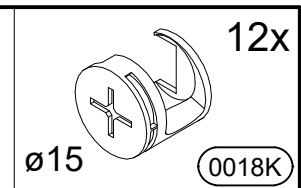




# 10)



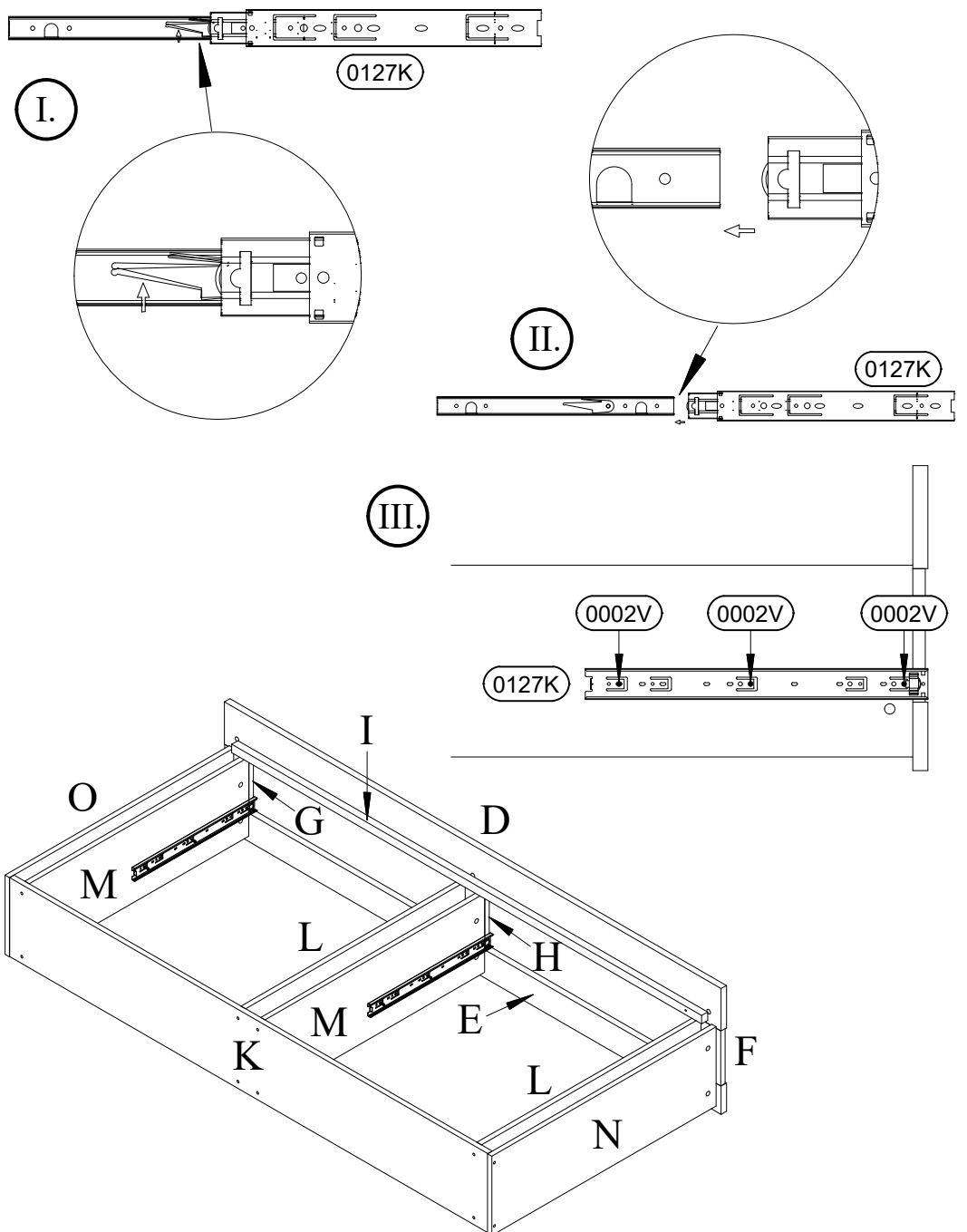
# 11)



12)

3,5x16 12x  
0002V

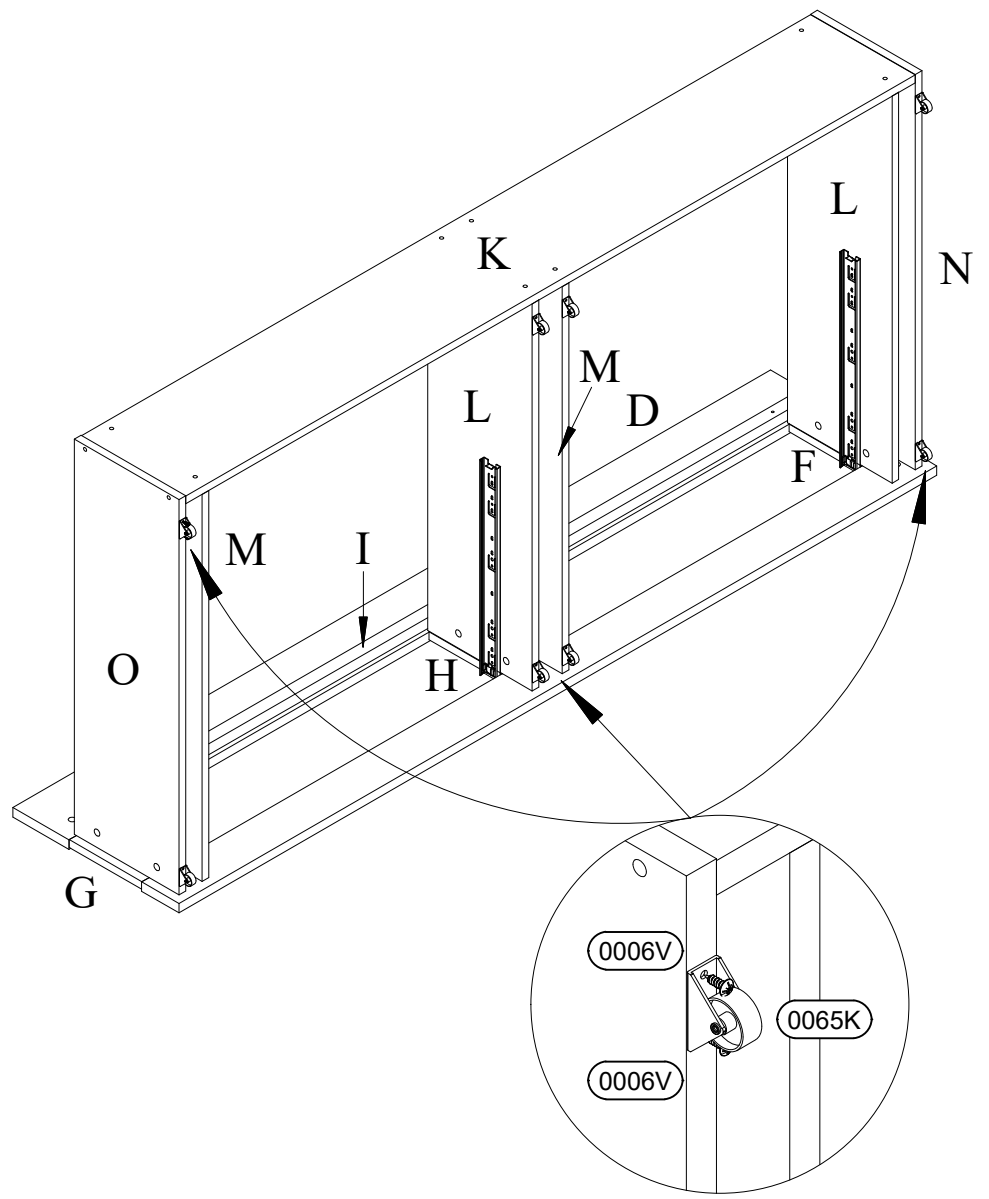
2x  
0127K



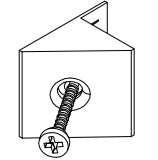

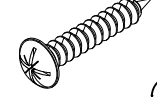
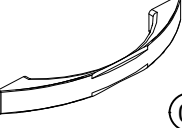
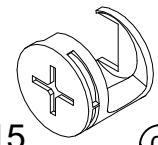
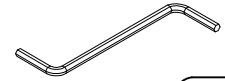
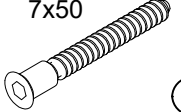
13)

3,5x25 16x  
0006V

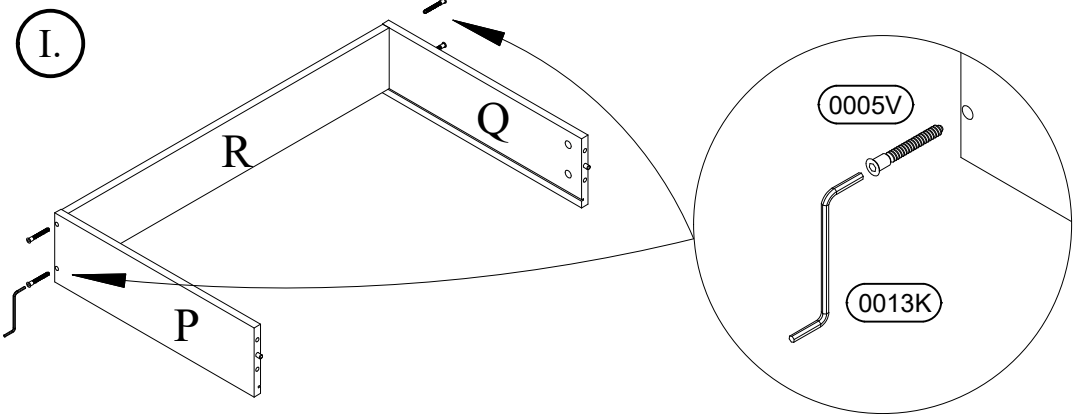
8x  
0065K



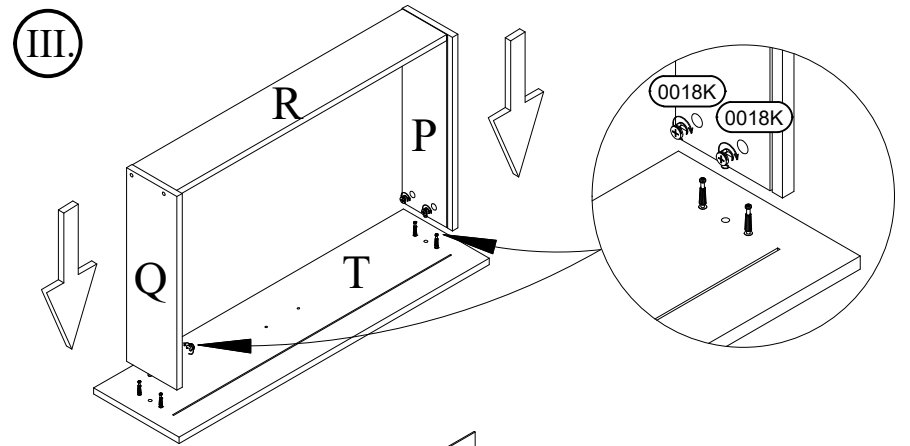
# 14)

 4x 0004K	 4x20 0159K	 4,5x25 0022V	 2x 0016U	 8x 0018K	 1x 0013K	 7x50 0005V
---	---	---	---	---	---	---

I.



III.

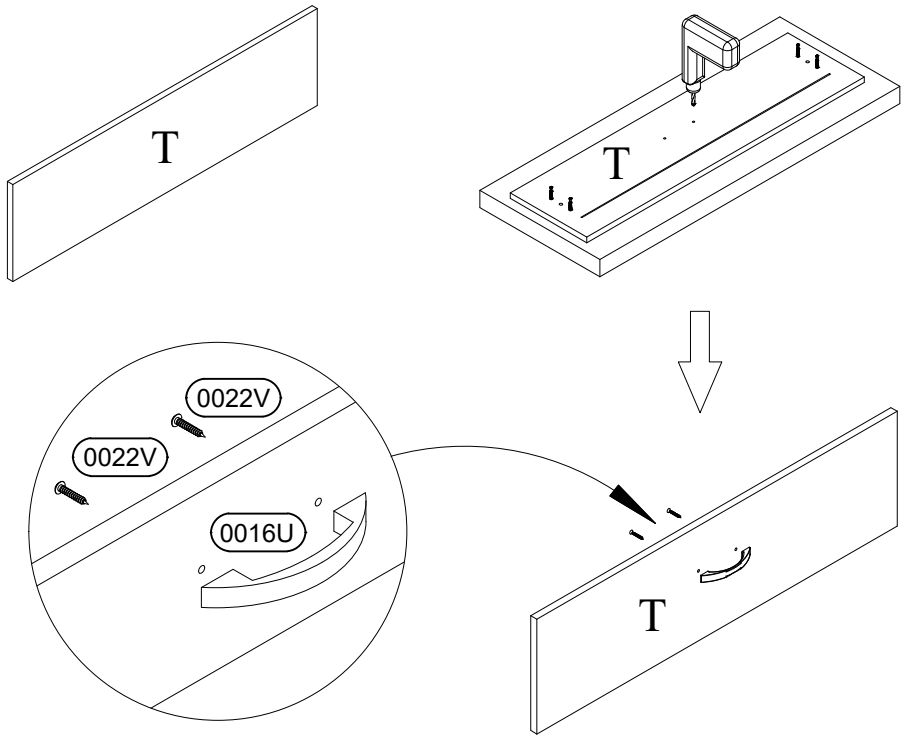


II.

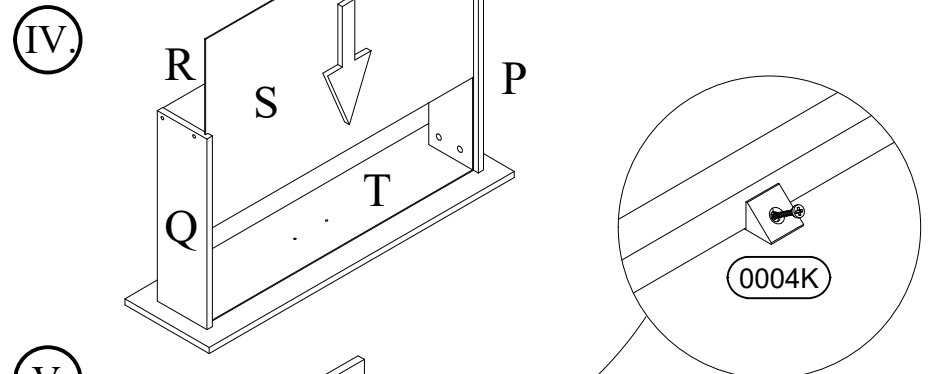
var. 1

var. 2

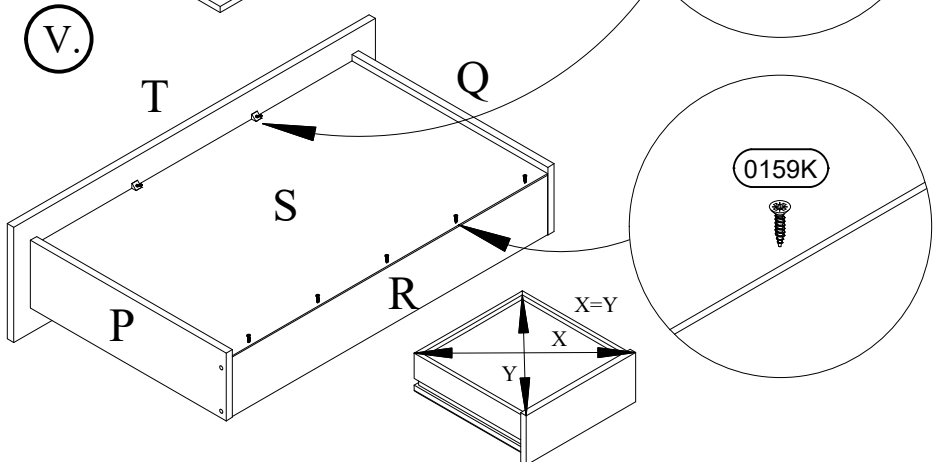
2x

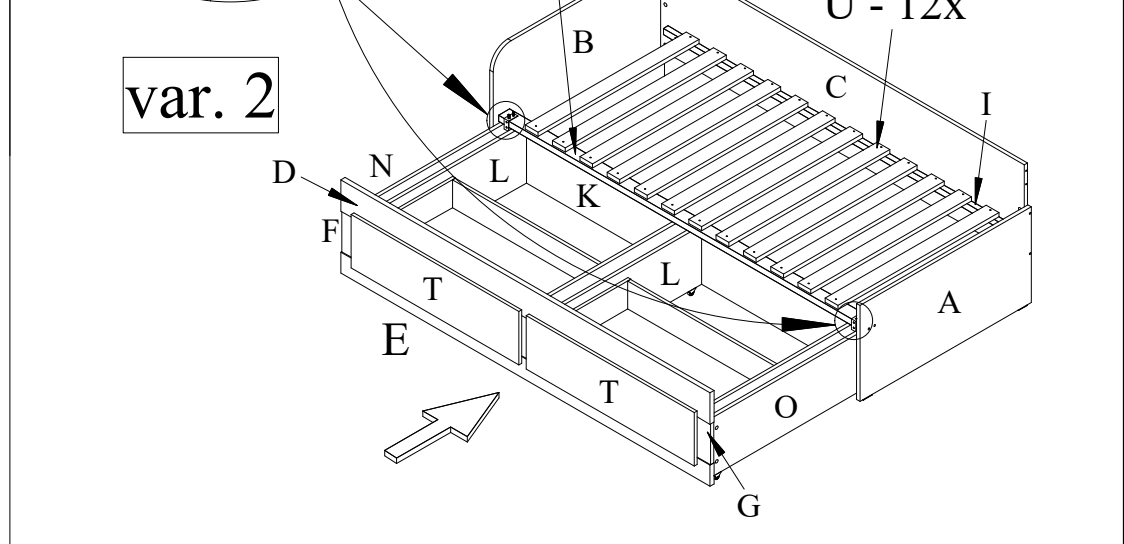
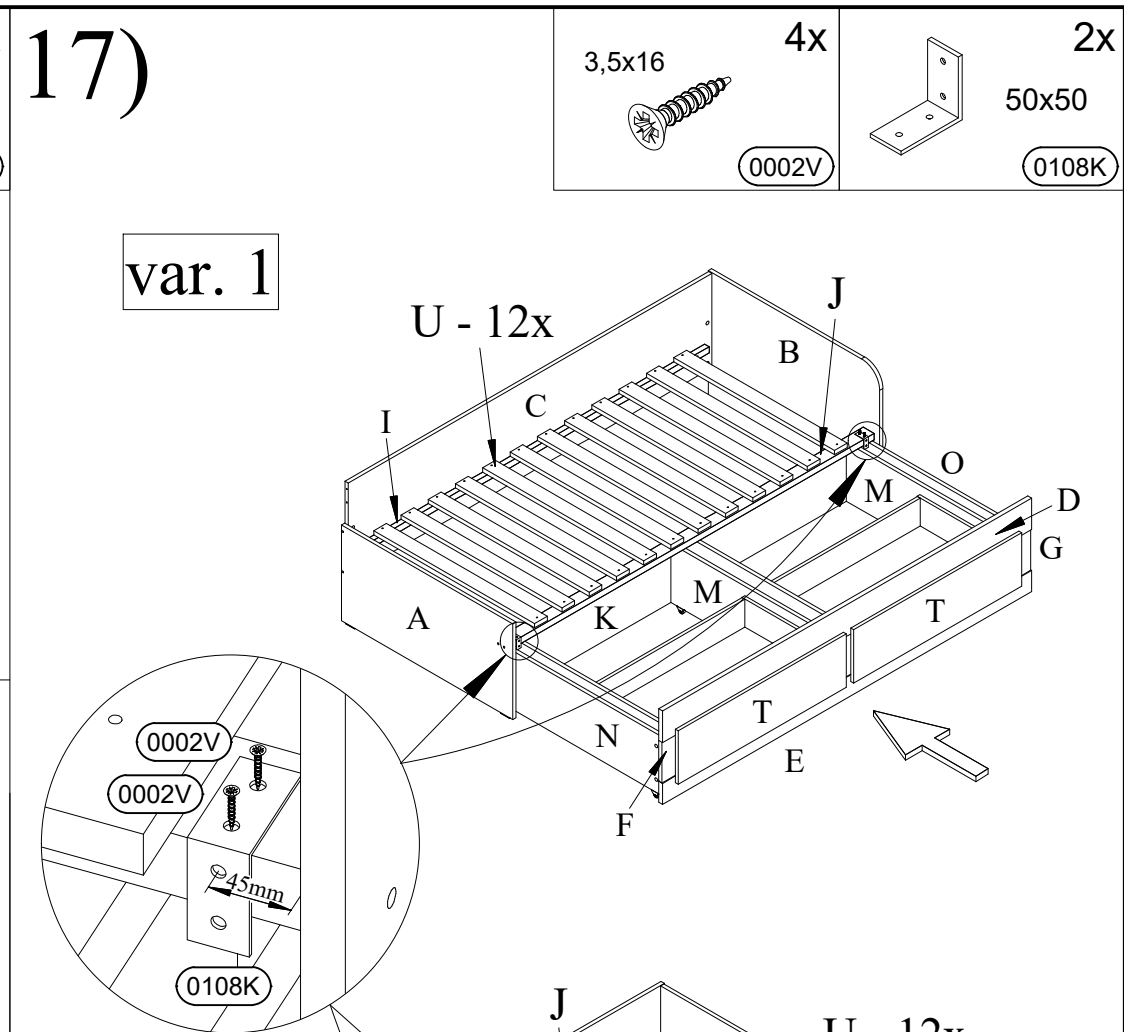
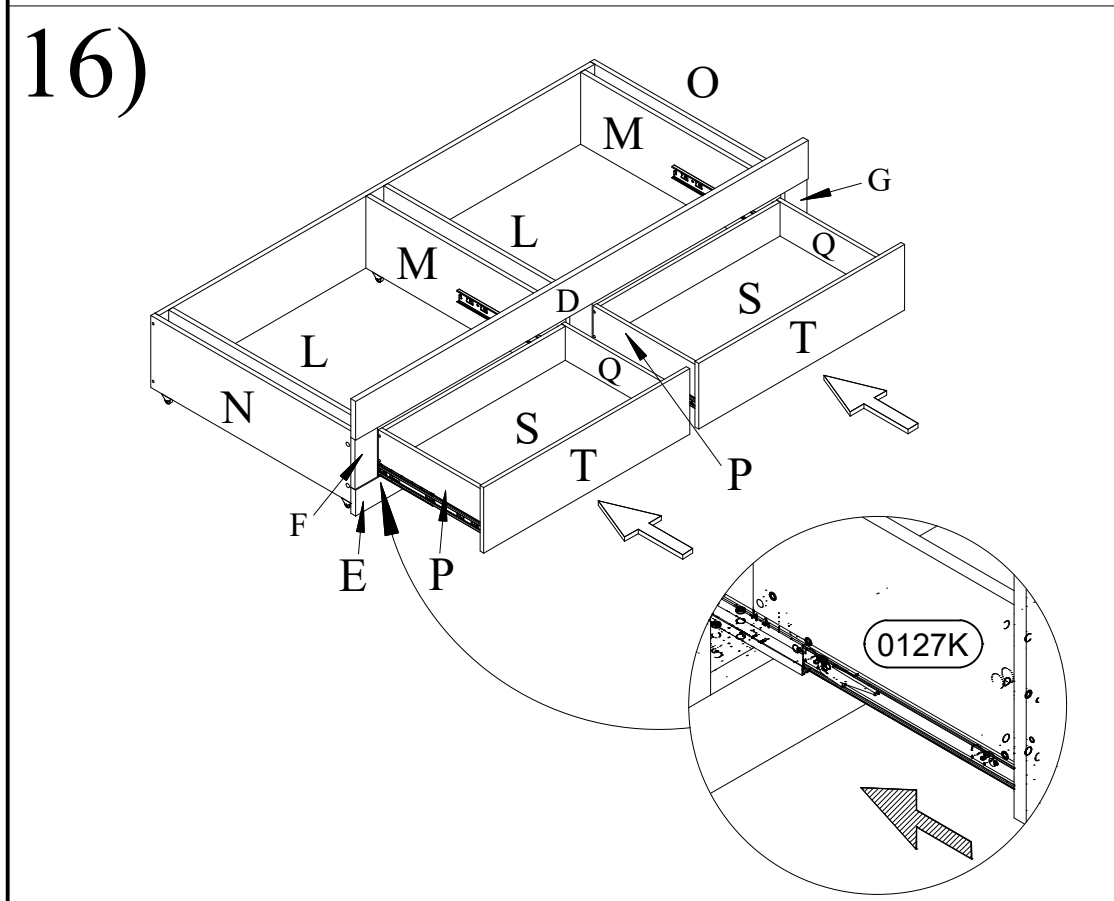
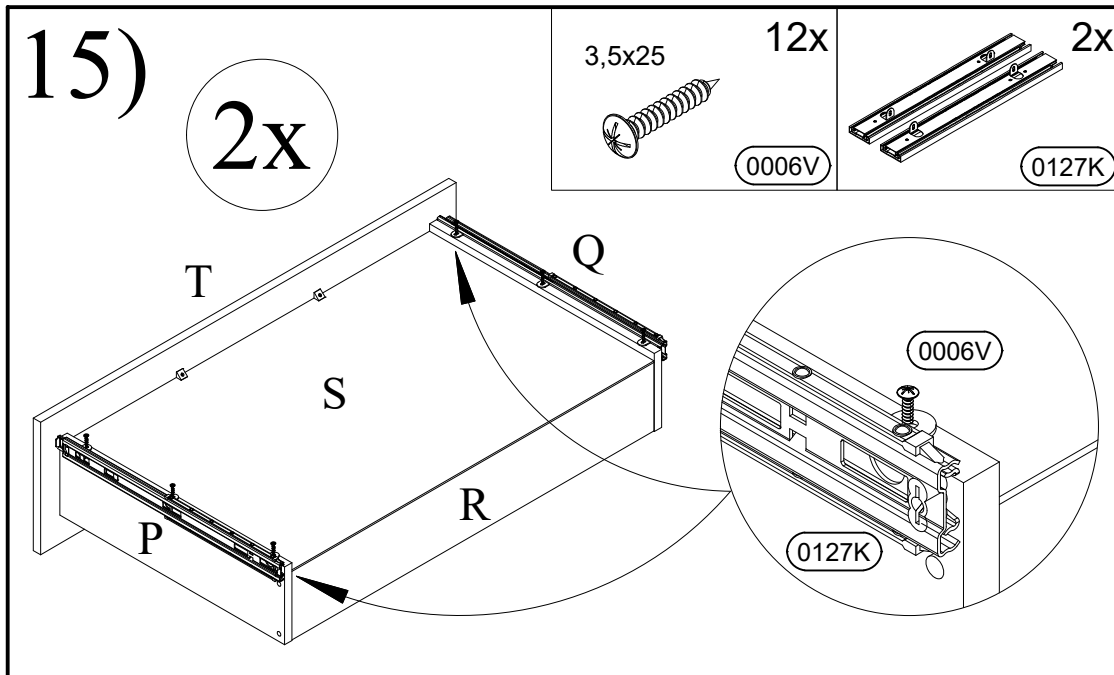


IV.



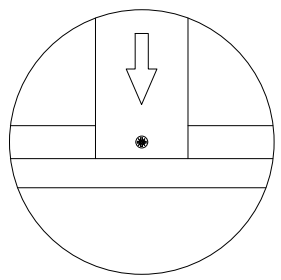
V.





18)

var. 1



var. 2

4x20 13x  
0159K

4x35 13x  
0012V

