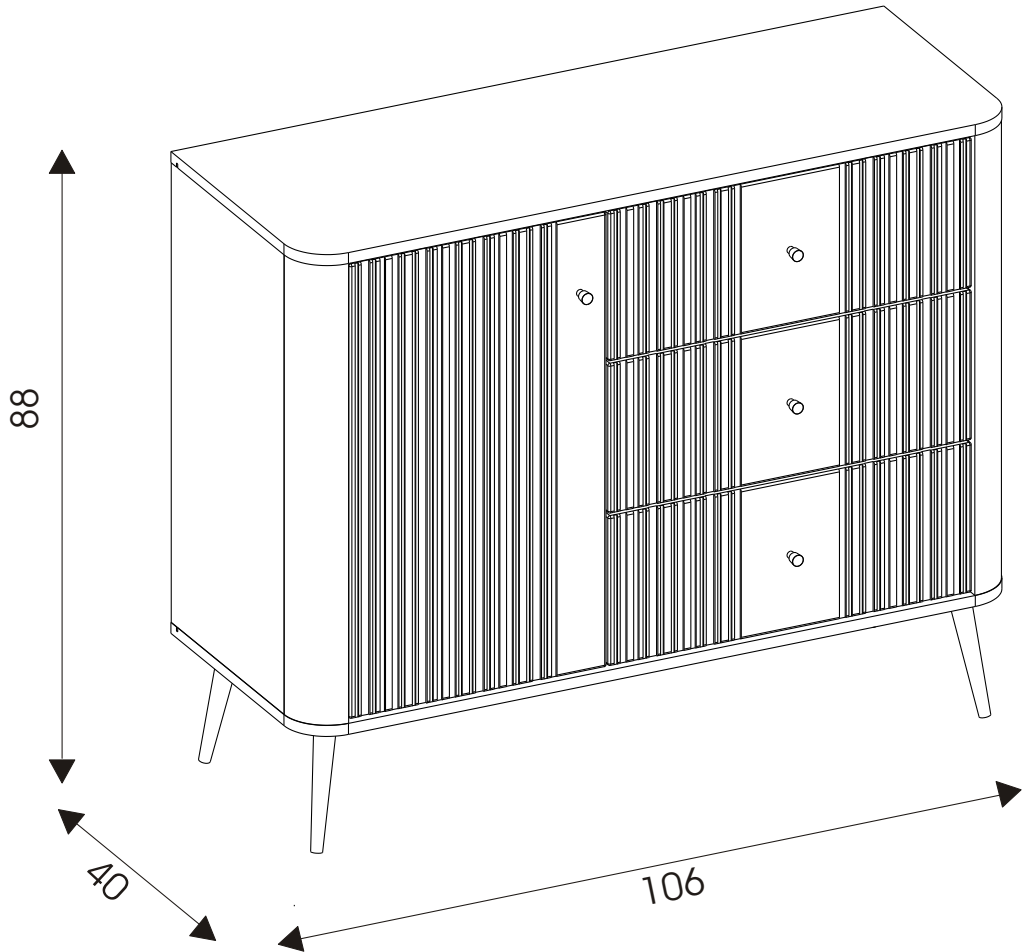
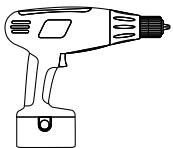
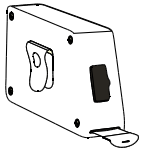
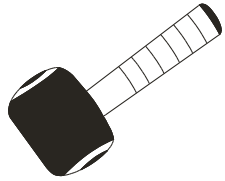
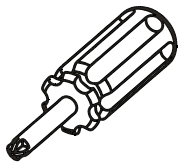
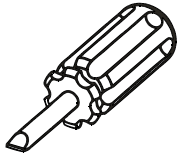
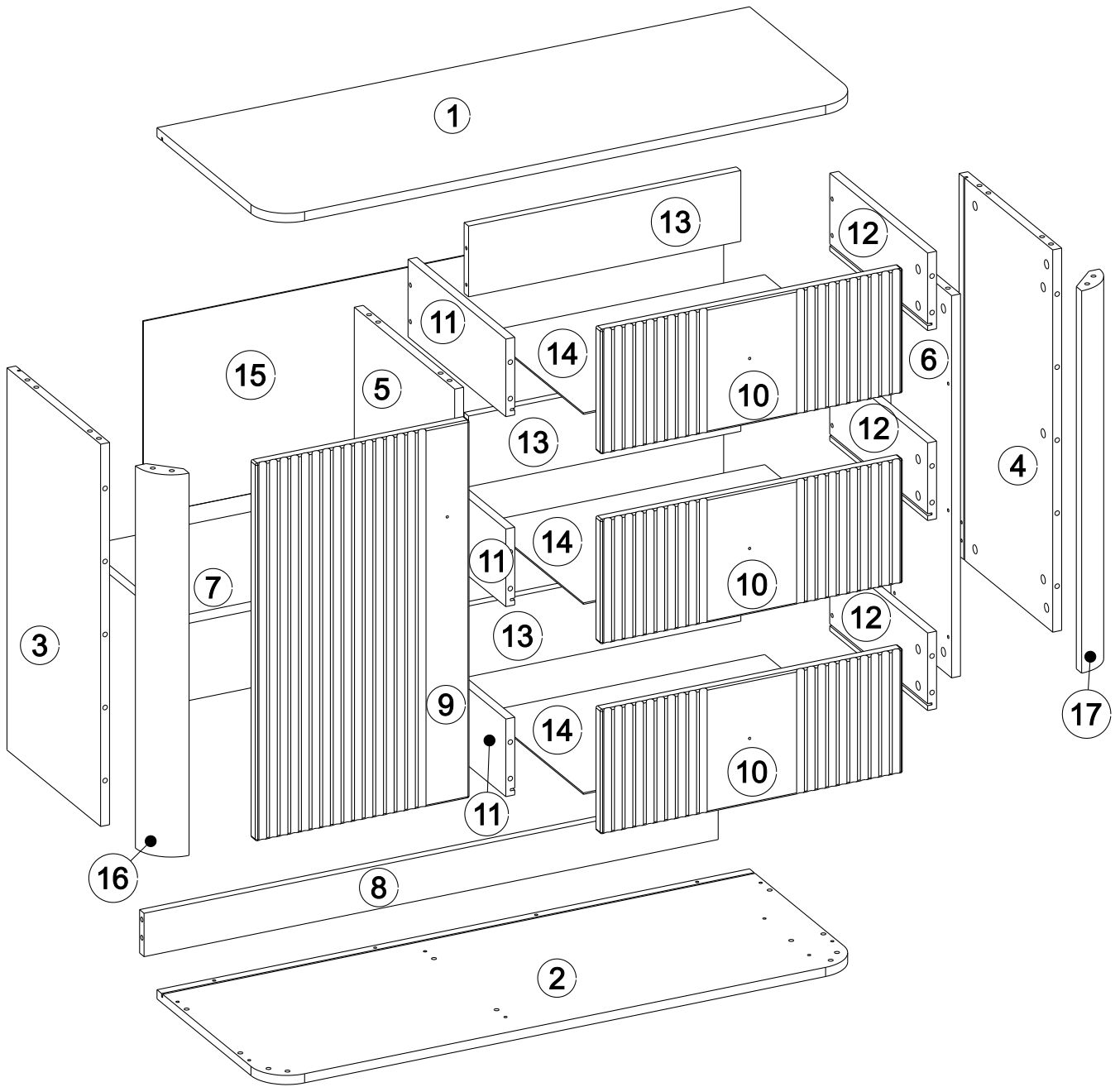


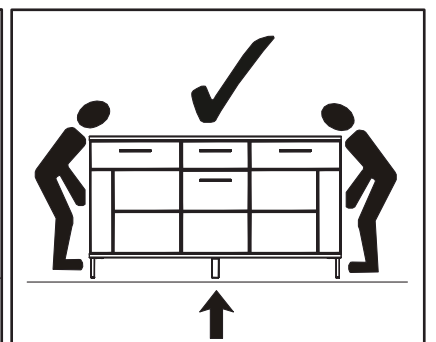
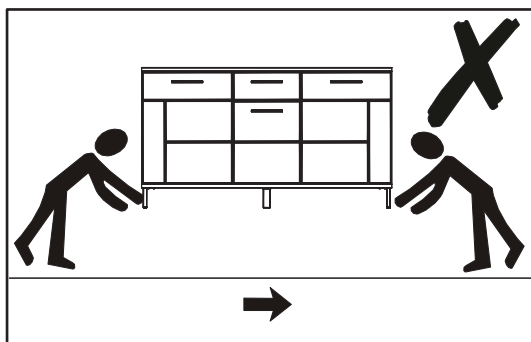
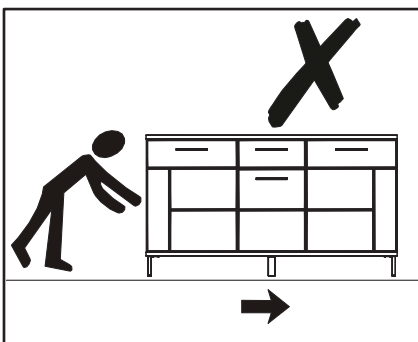
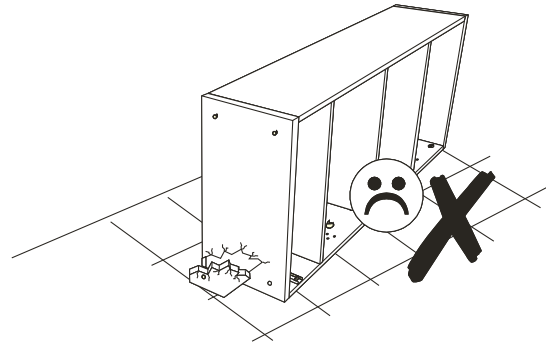
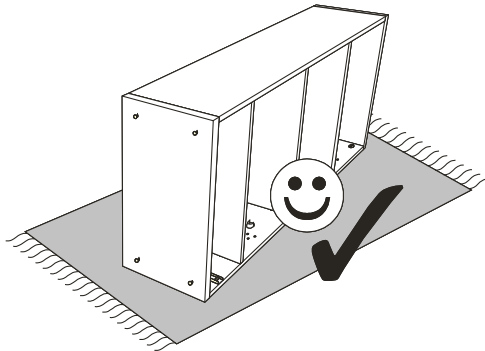
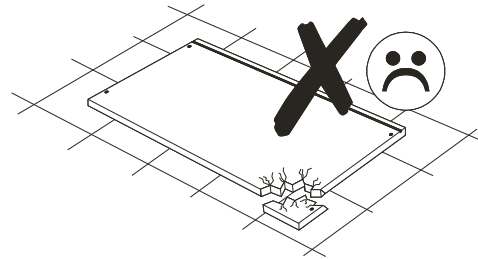
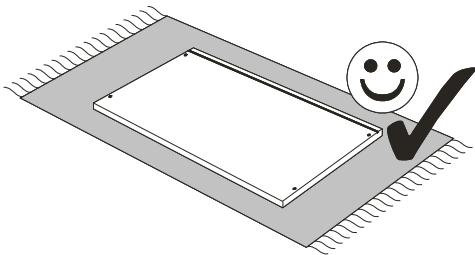
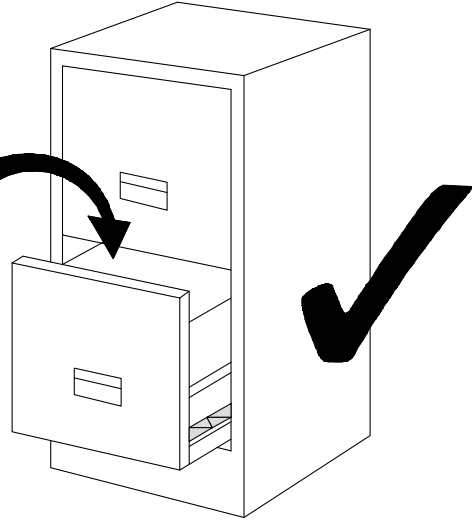
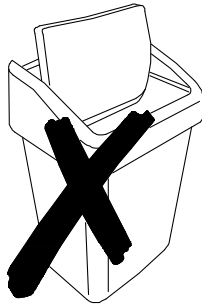
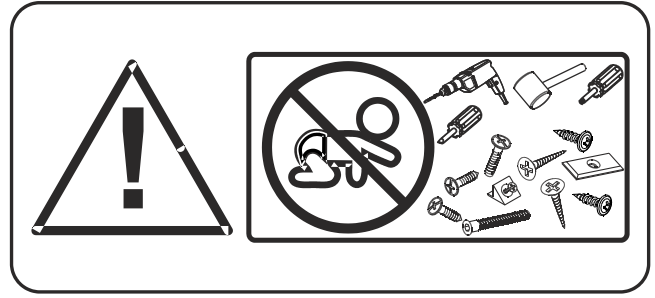
# MODEL:VG03

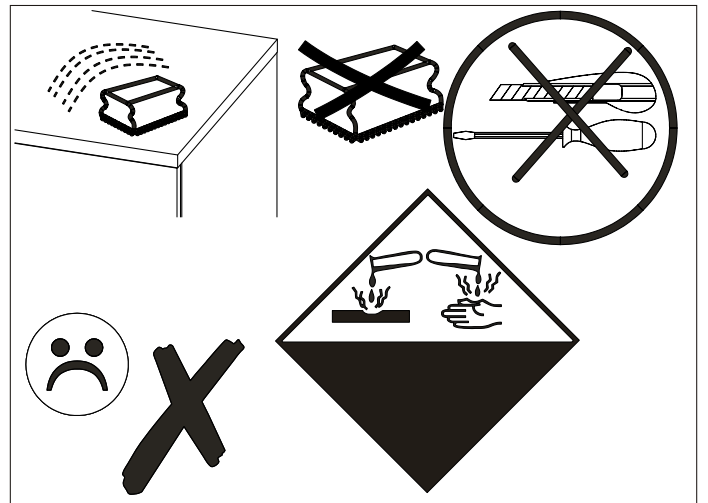
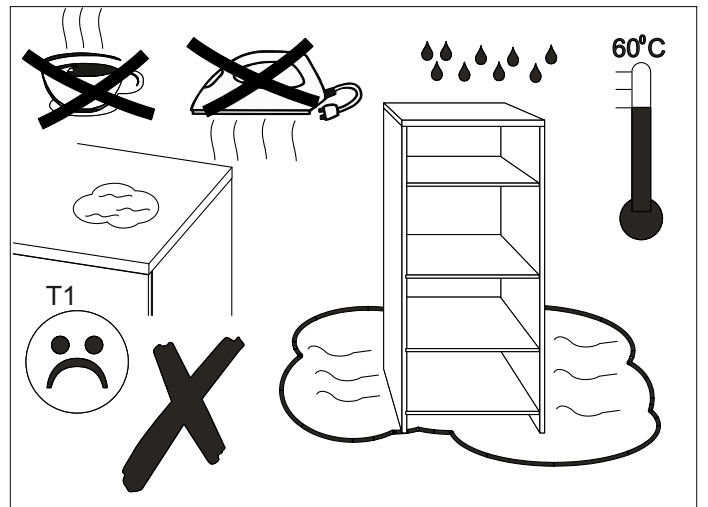
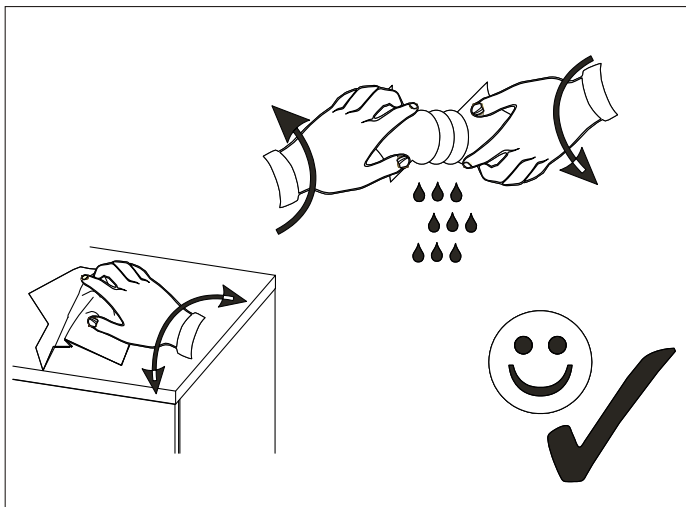
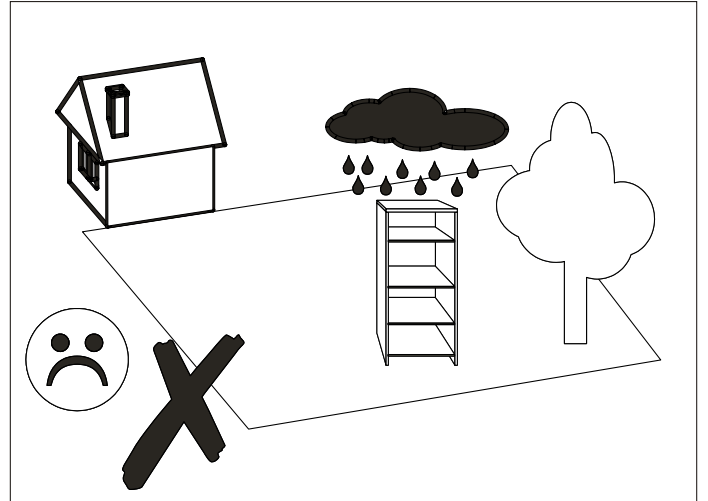
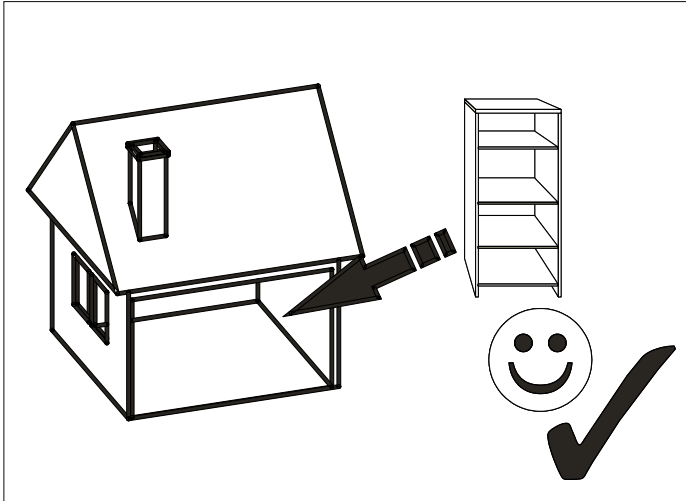


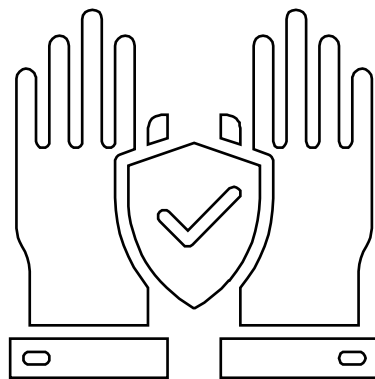
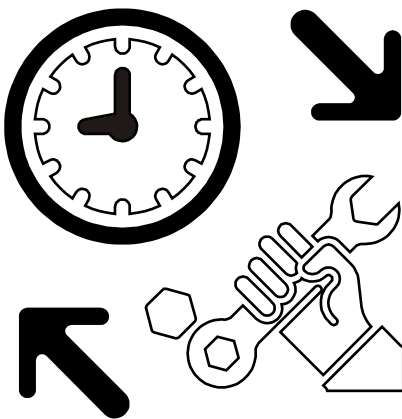
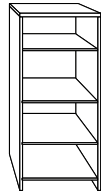
2x  ZC45	4x  3.5x13 W3								
19x  #20/863 ZN1	4x  B1	8x  ST1	3kpl  #300 PK3	4x  M4x24 S4	8x  3x20 W9	4x  N1			
12x  6.4x50 K5	26x  8x30 K1	4x  U1	1x  K20	42x  #15/15 M1	42x  DU232T T1	16x  4.5x16 W7	20x  2x20 G1	24x  5x11 E1	



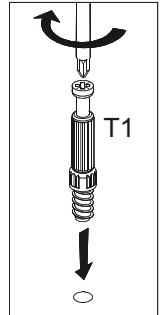
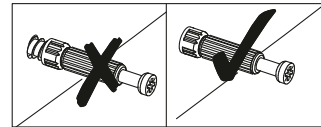
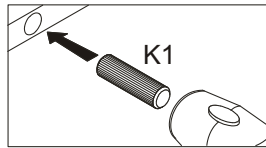
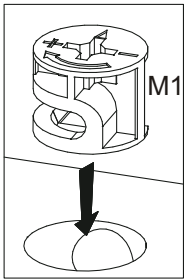
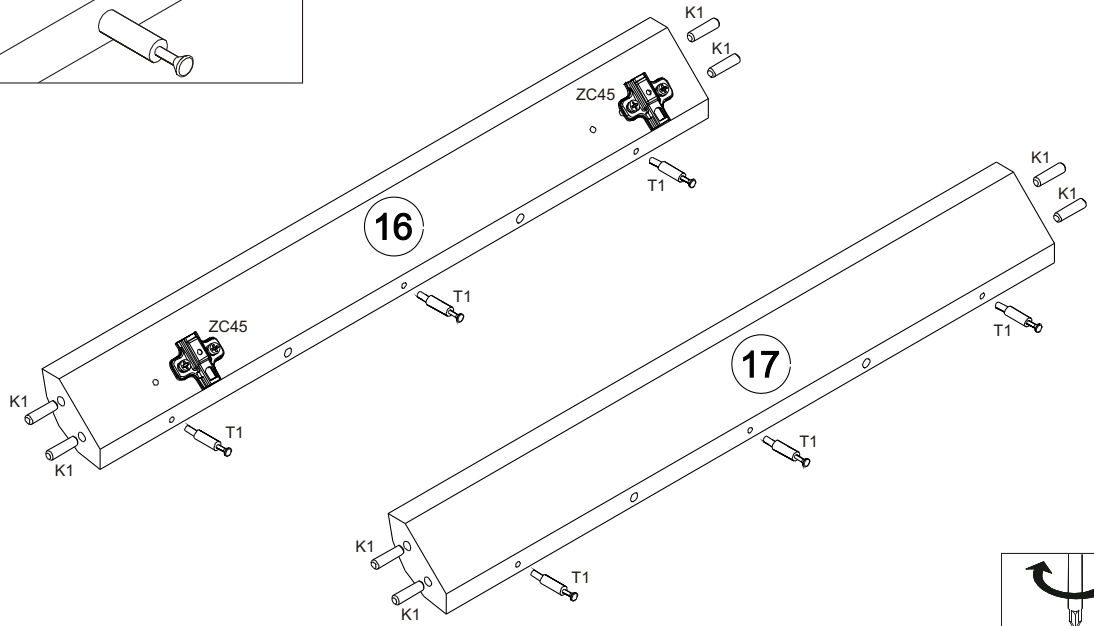
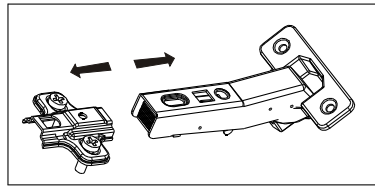
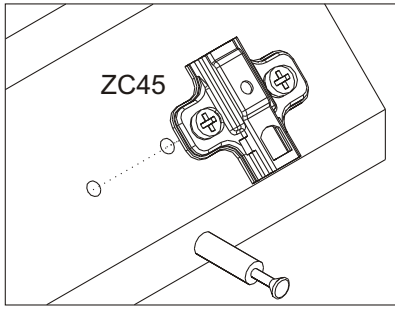
			17	670x90.5	2/4
8	1027x76	1/4	16	670x90.5	2/4
7	425x312	2/4	15	1038x681	1/4
6	670x217	2/4	14	336x485	1/4
5	670x359	2/4	13	470x124	1/4
4	670x335.5	2/4	12	330x136	1/4
3	670x335.5	2/4	11	330x136	1/4
2	1060x400	1/4	10	540x218	3/4
1	1060x400	1/4	9	662x382	3/4



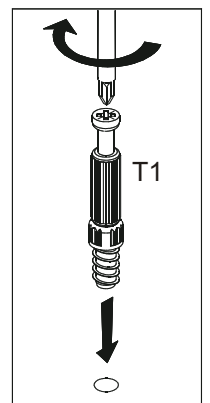
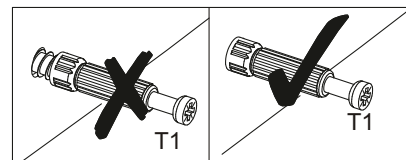
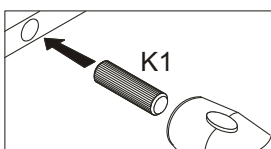
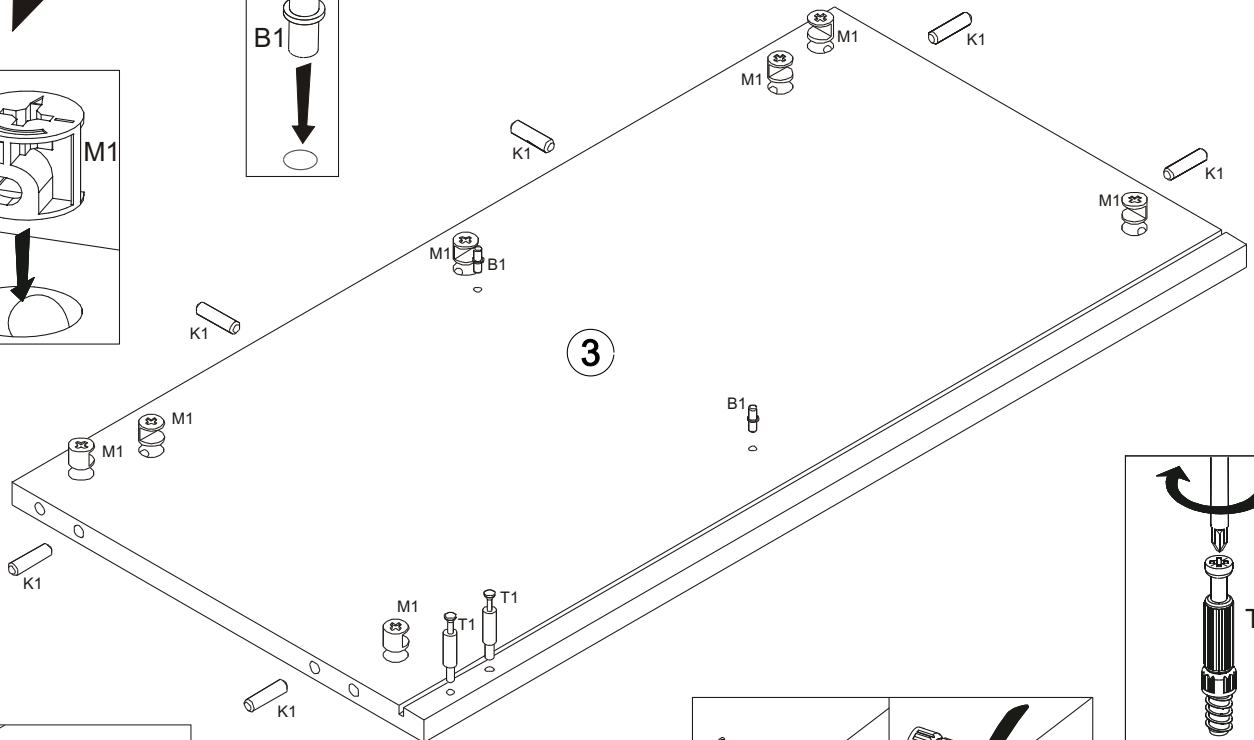
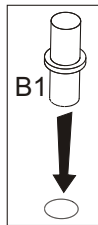
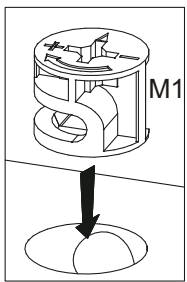




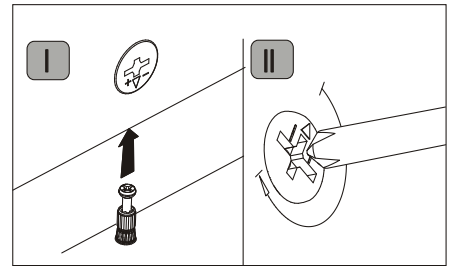
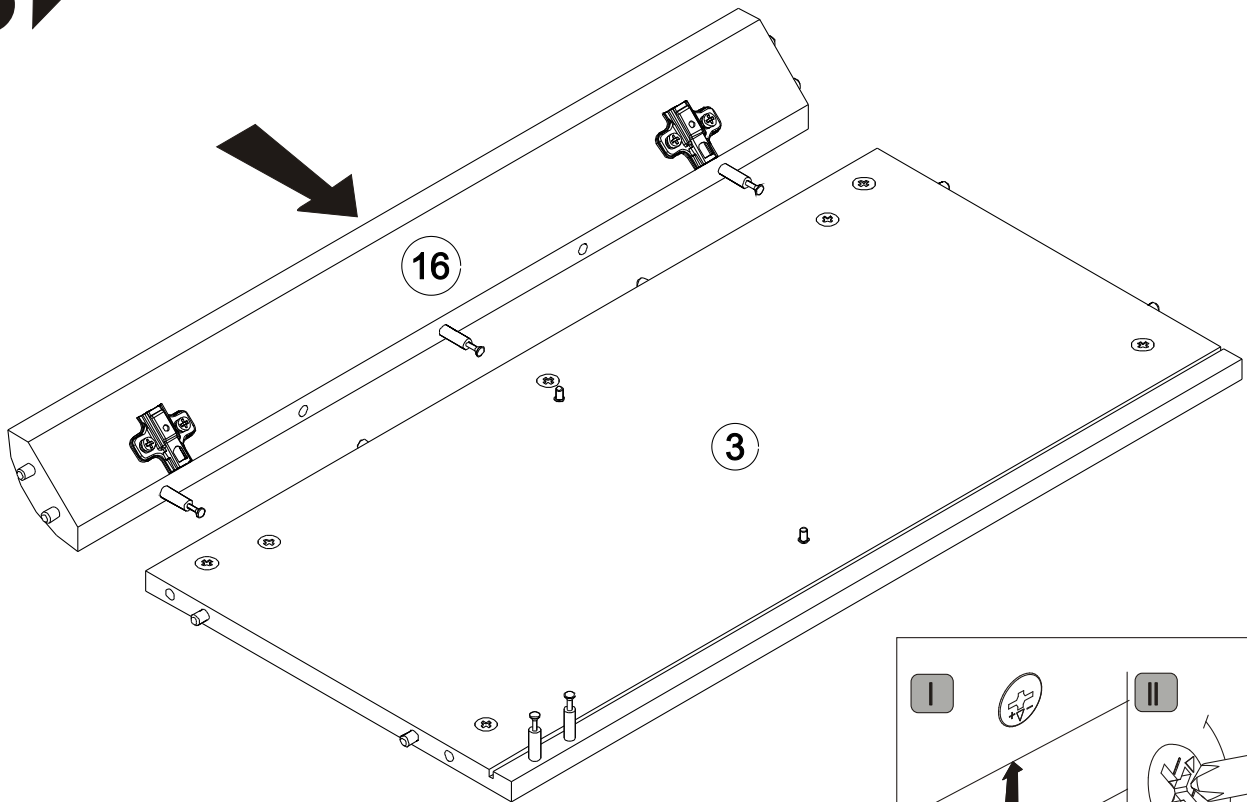
1



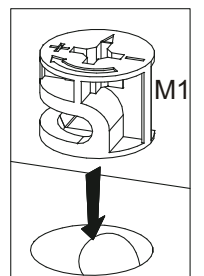
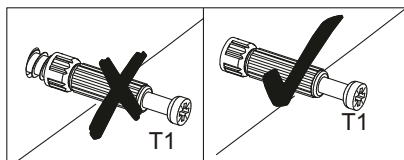
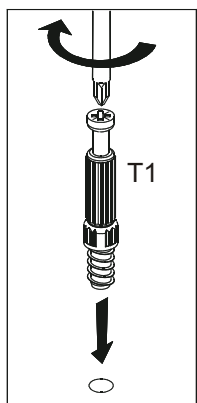
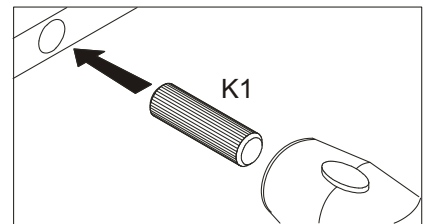
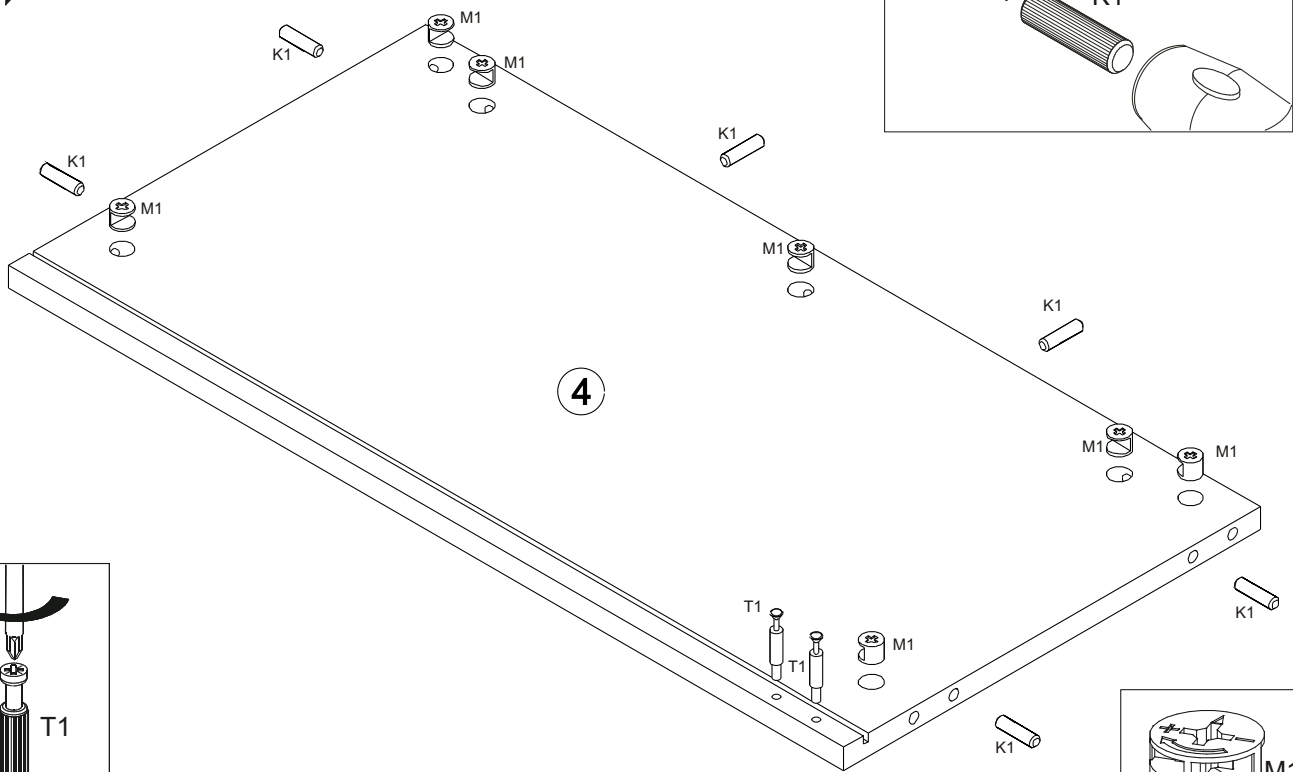
2



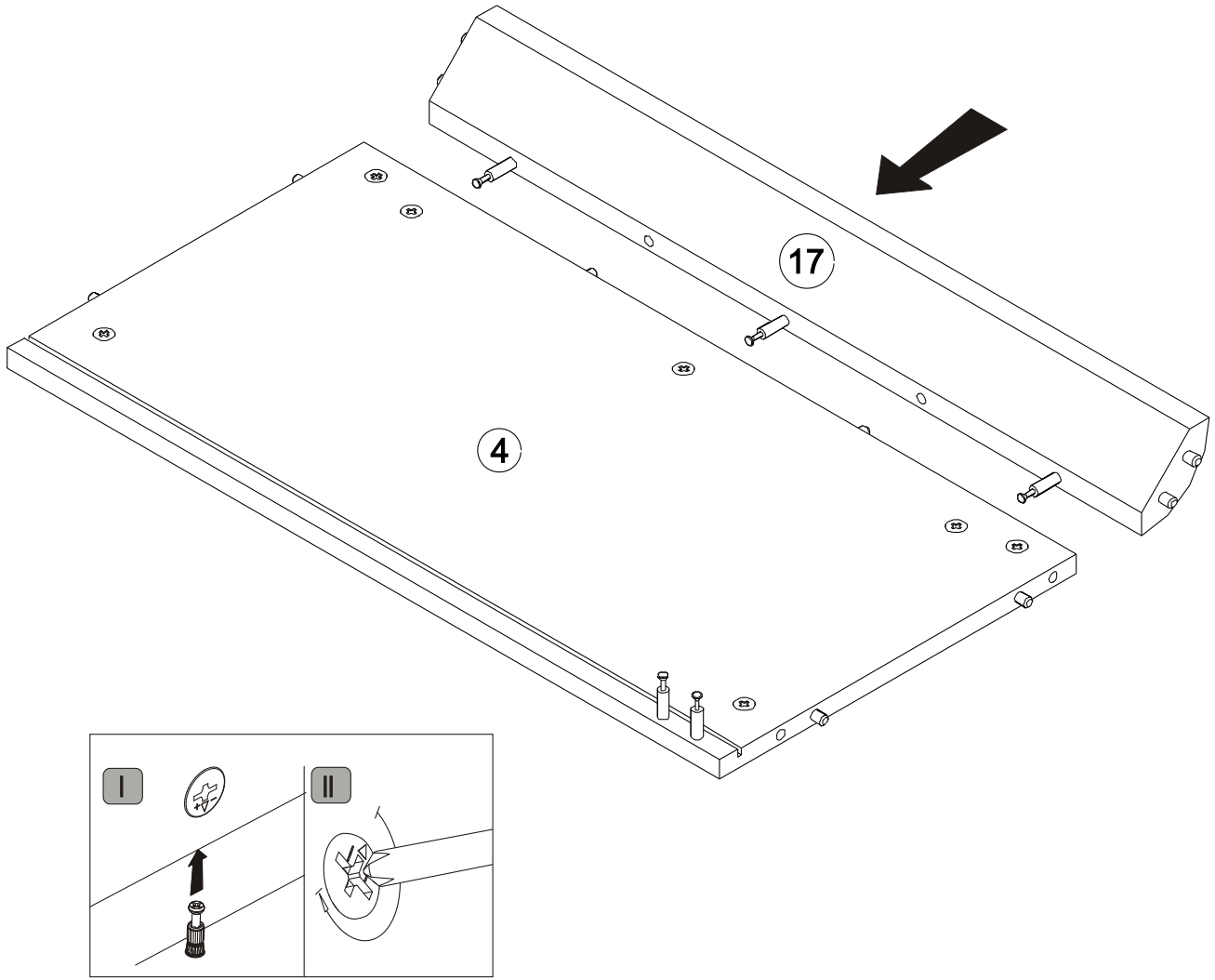
# 3 ▶



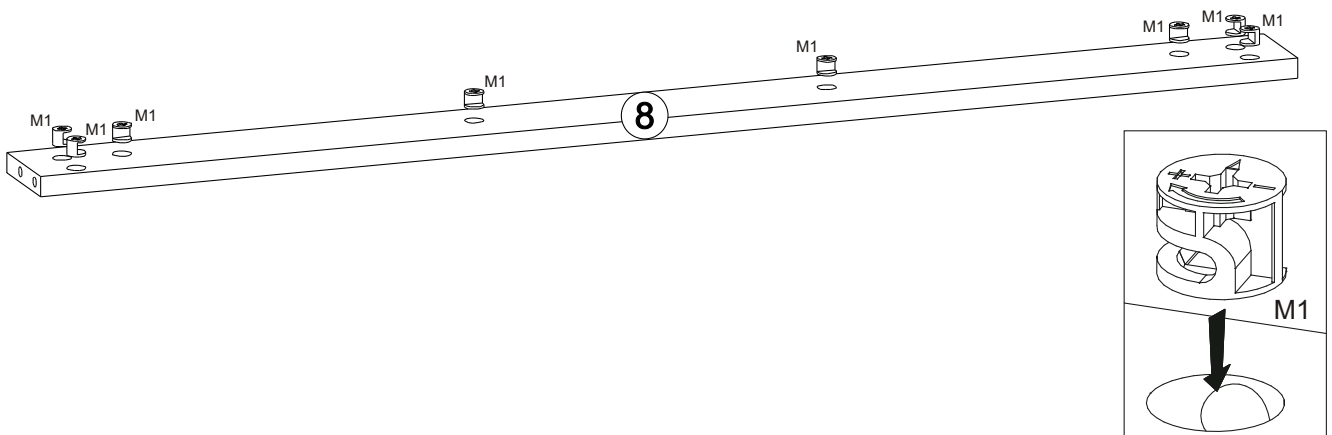
# 4 ▶



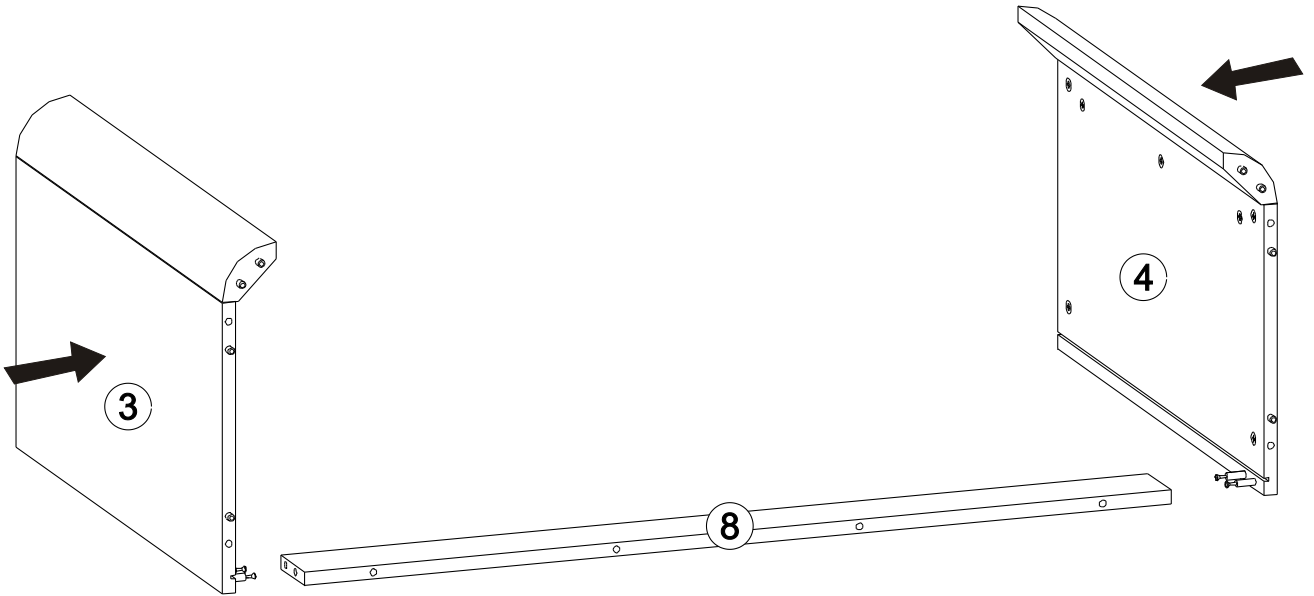
5 ▶



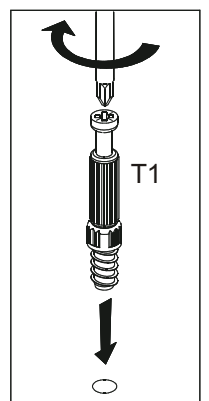
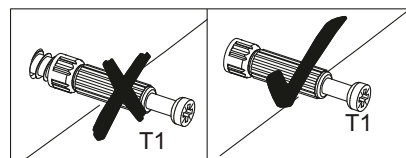
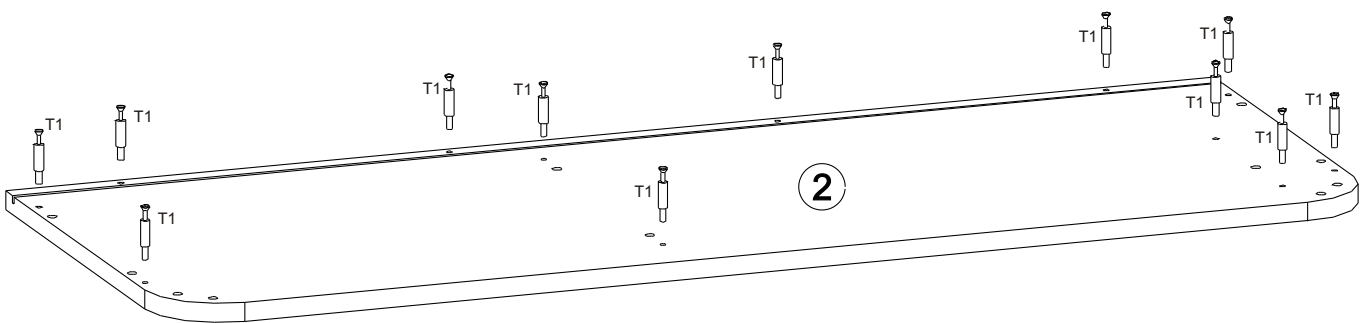
6 ▶



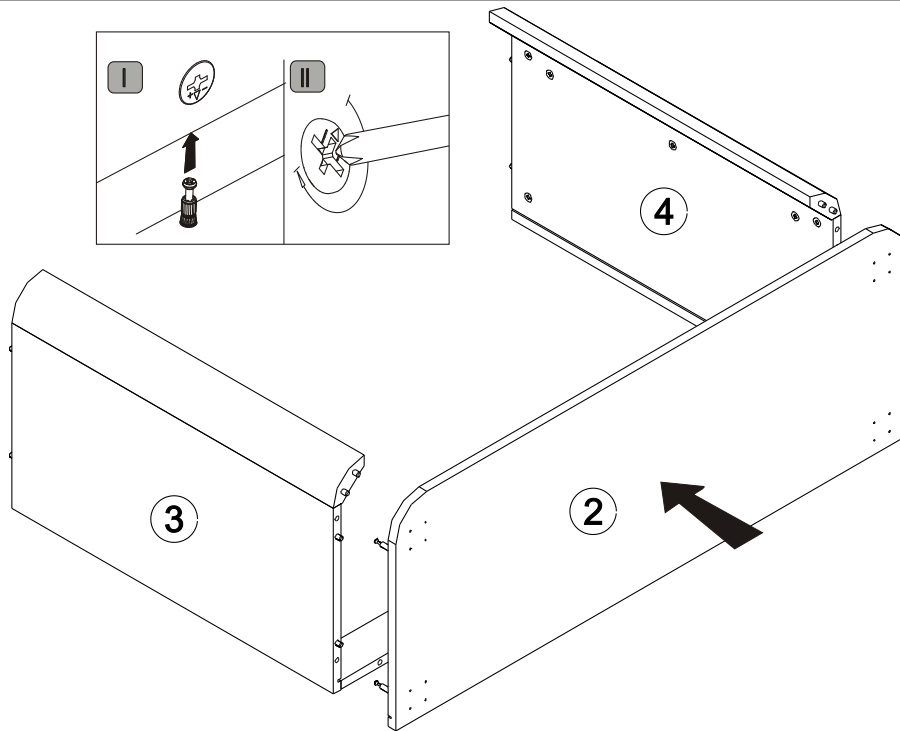
7 ▶



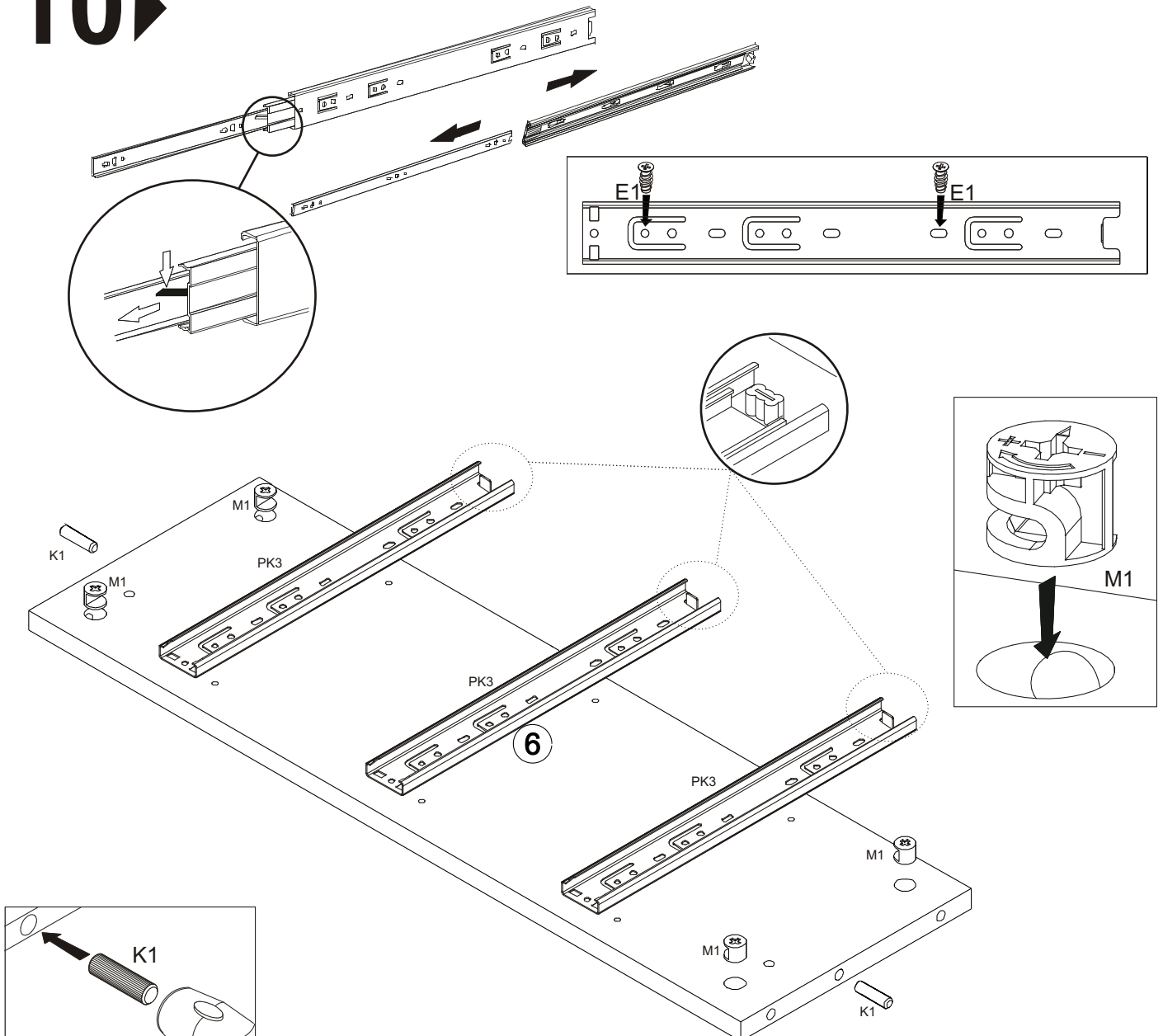
8 ▶



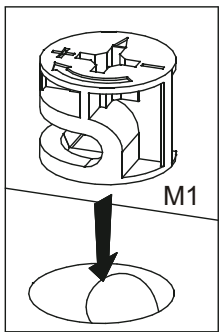
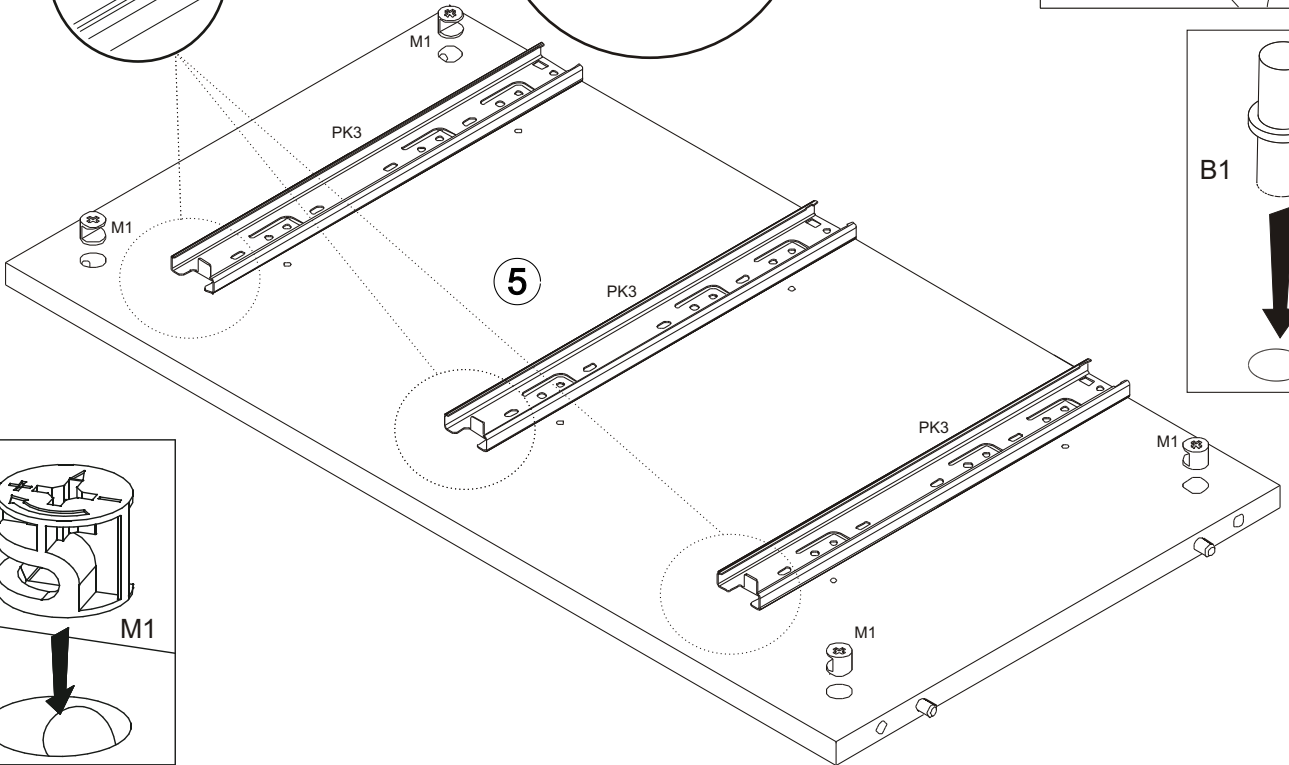
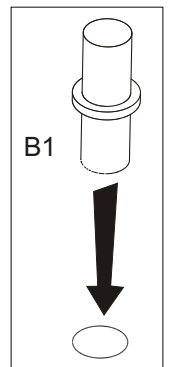
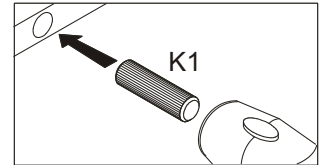
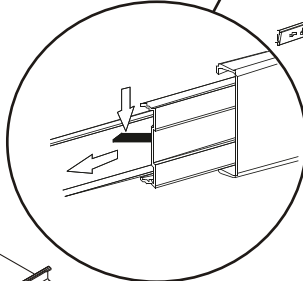
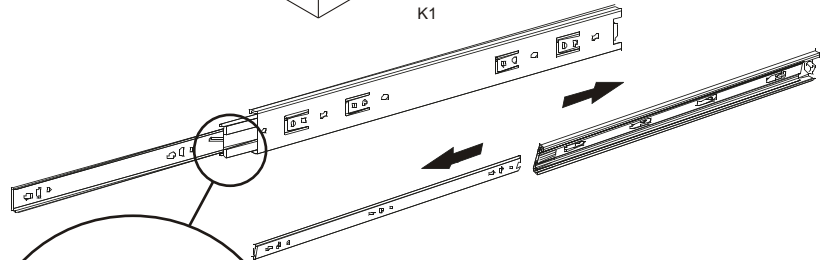
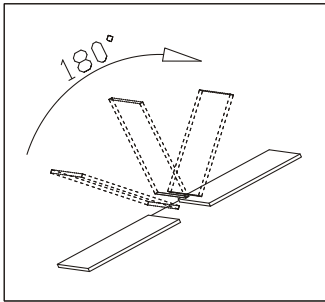
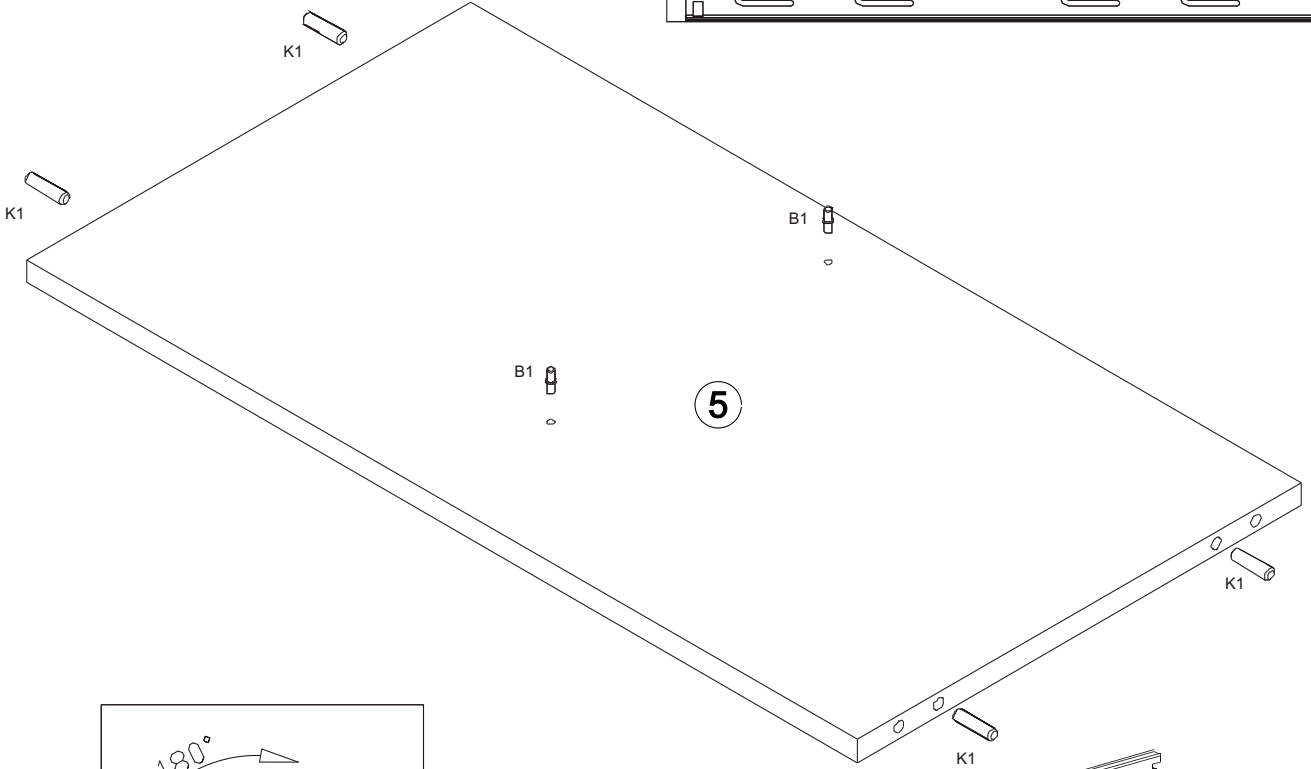
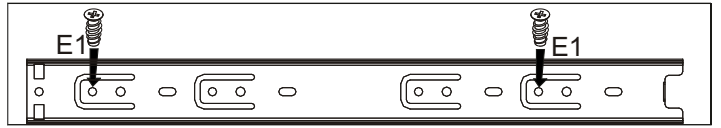
# 9 ▶



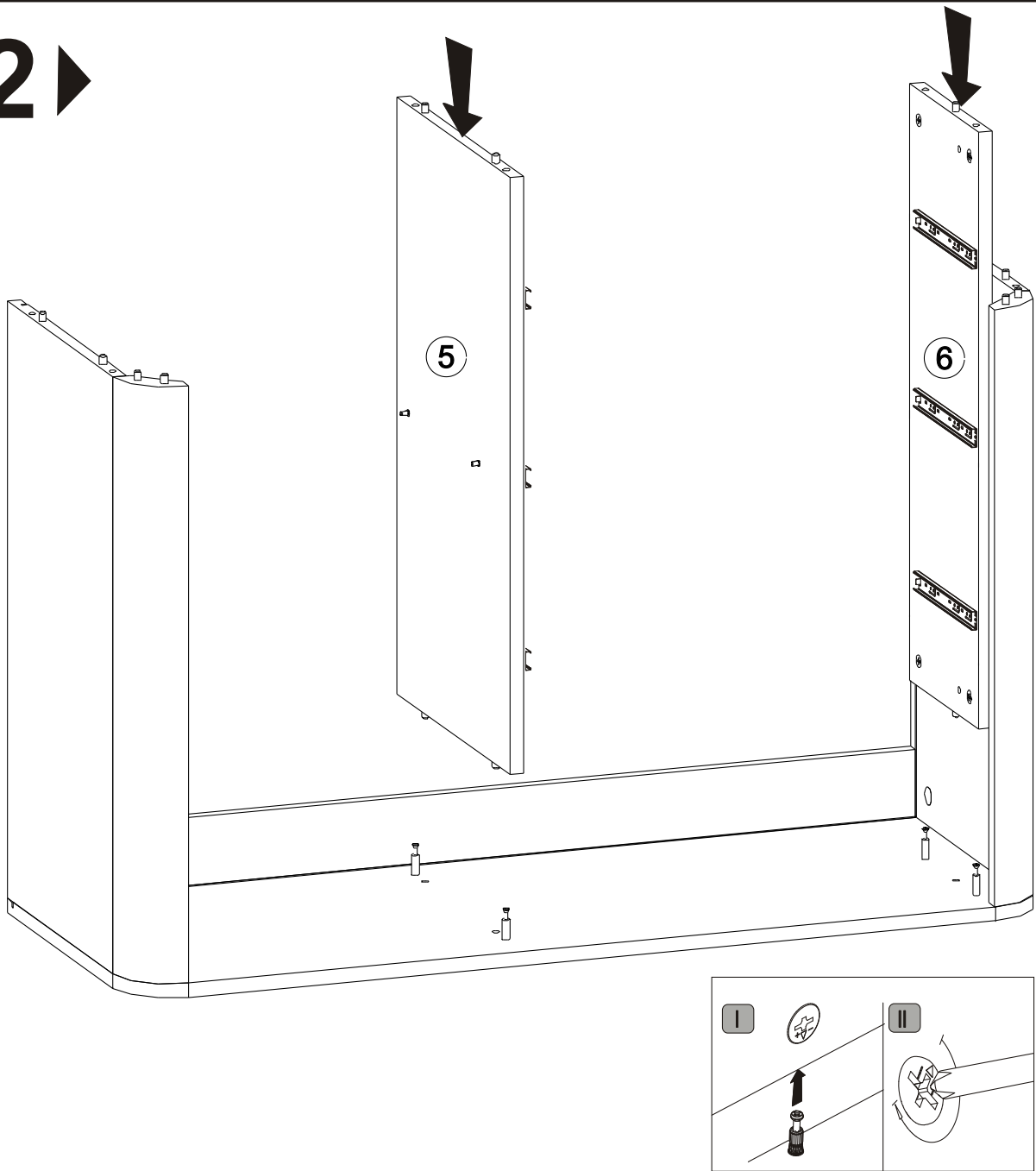
# 10 ▶



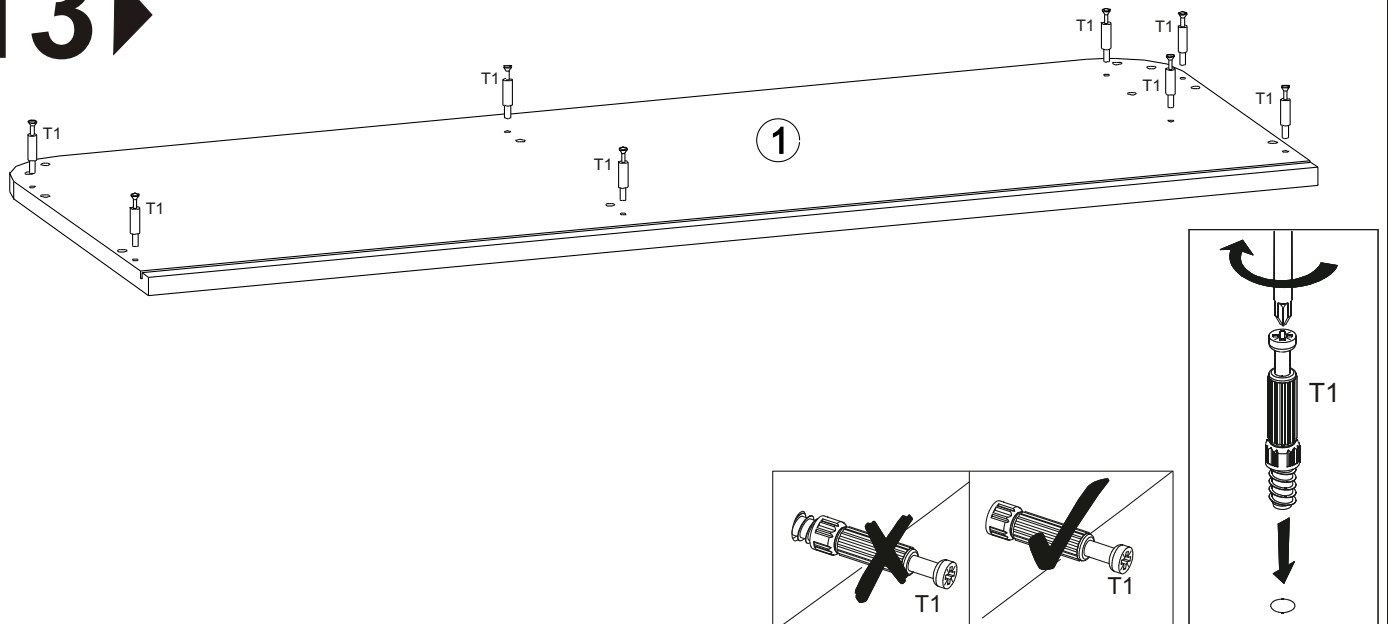
# 11



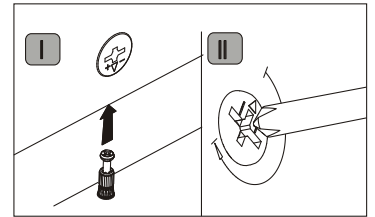
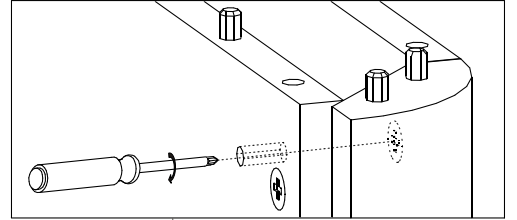
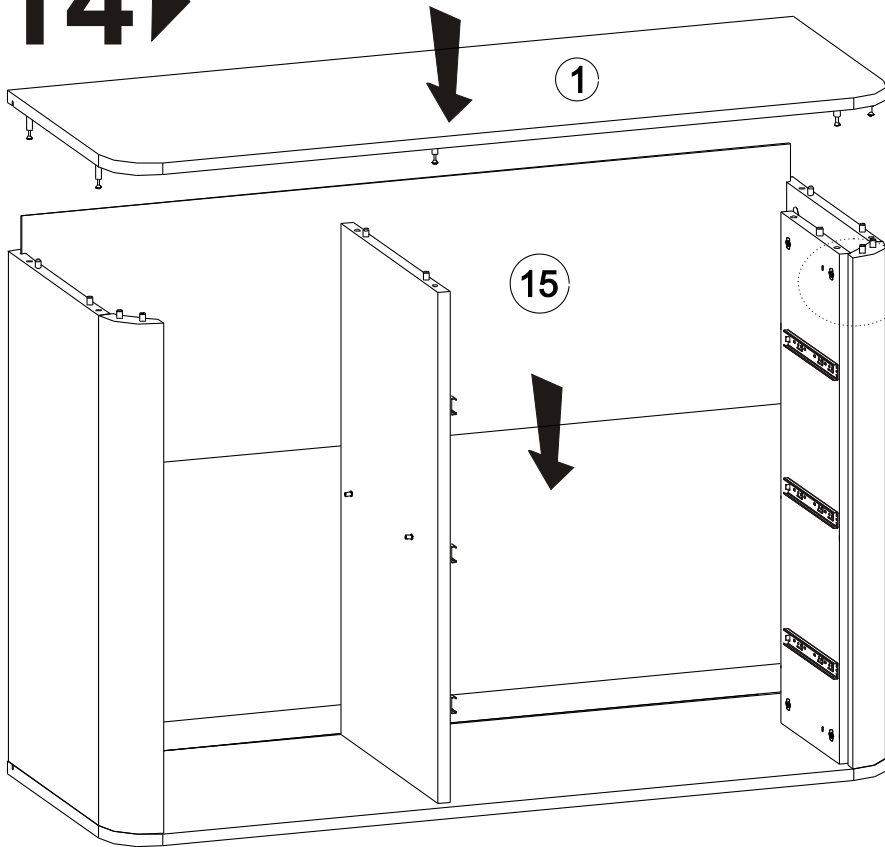
# 12 ▶



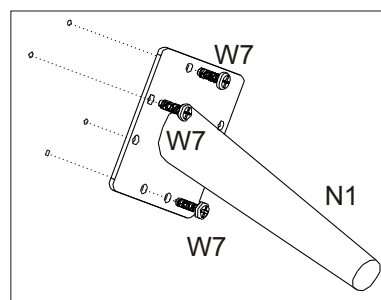
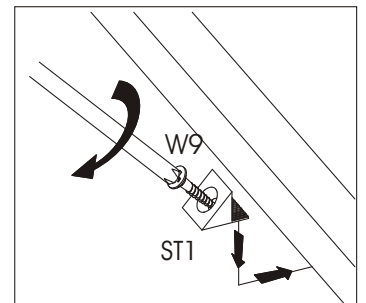
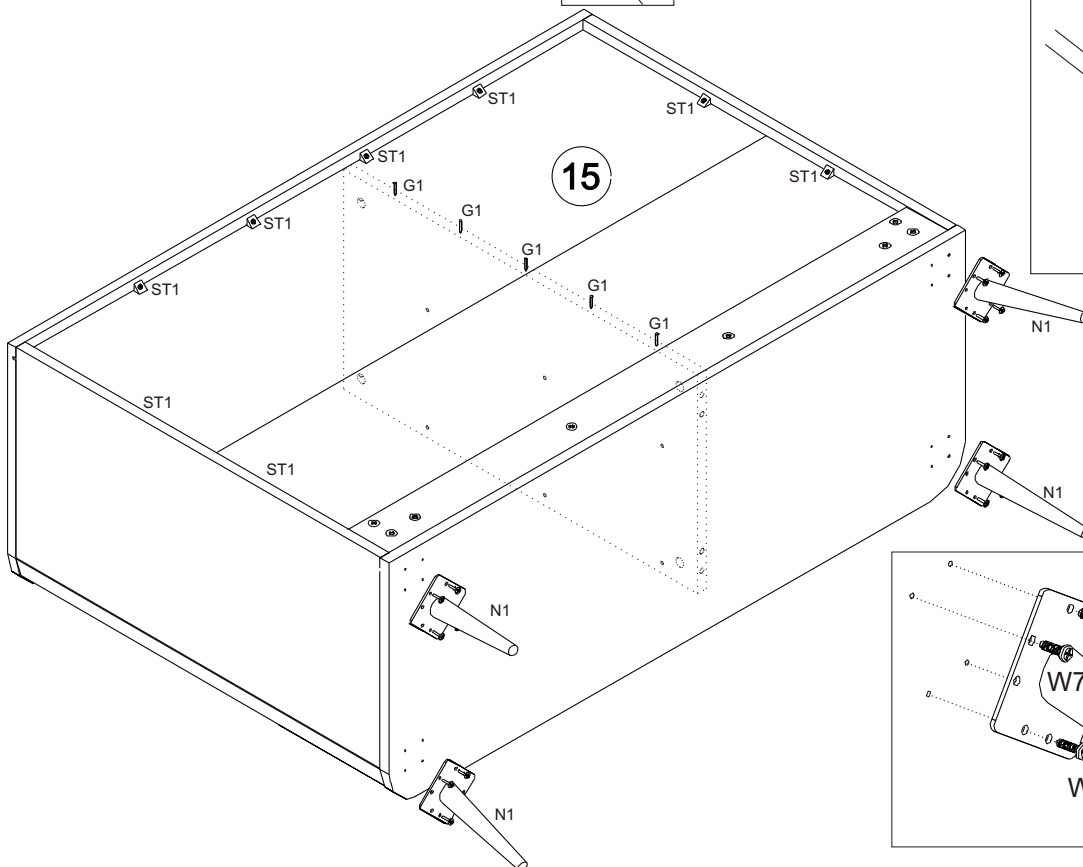
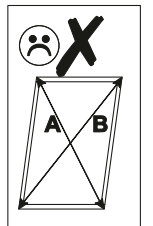
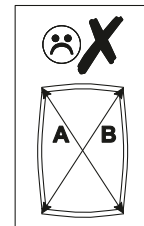
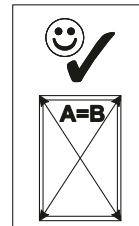
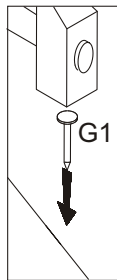
# 13 ▶



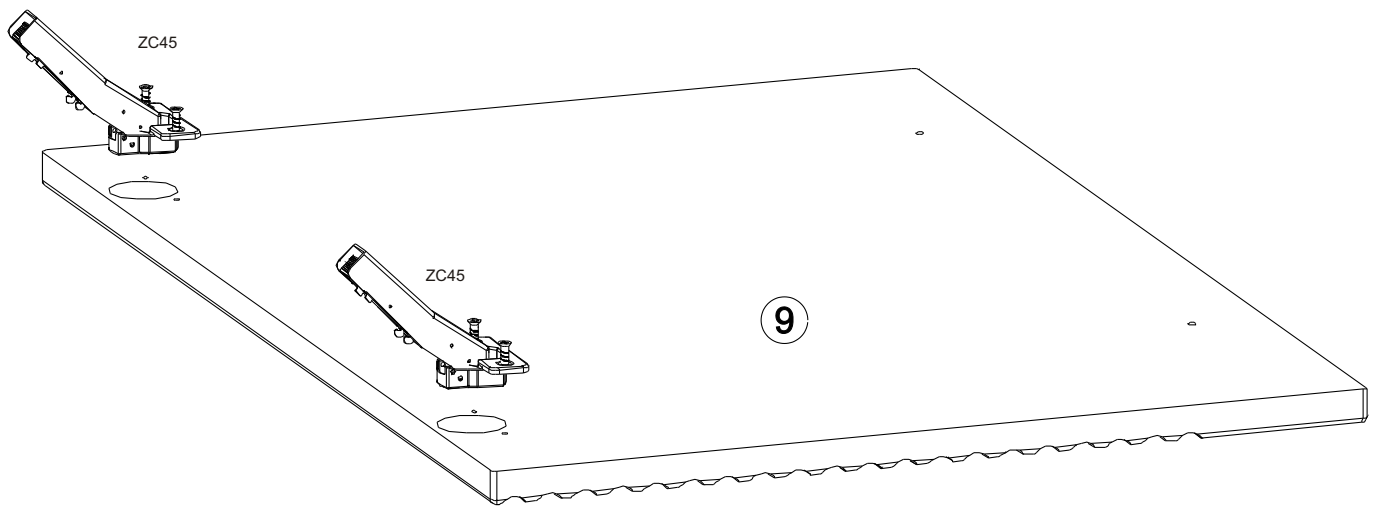
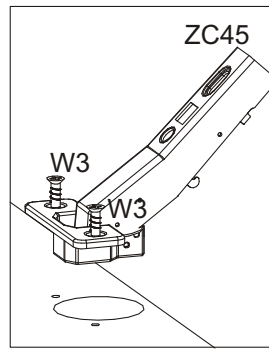
# 14



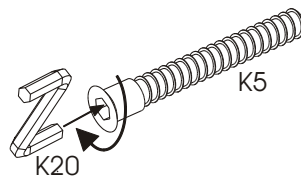
# 15



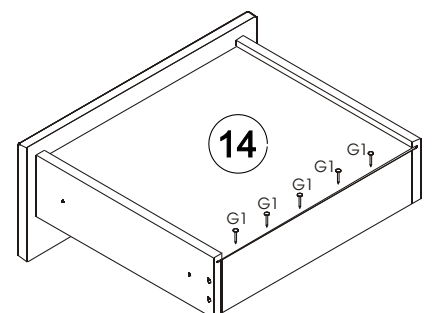
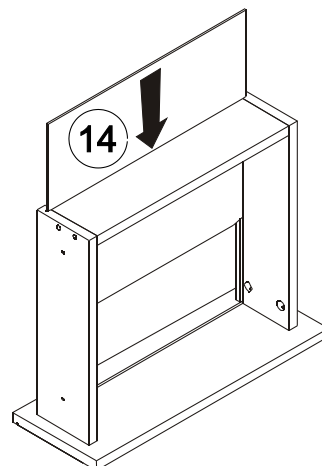
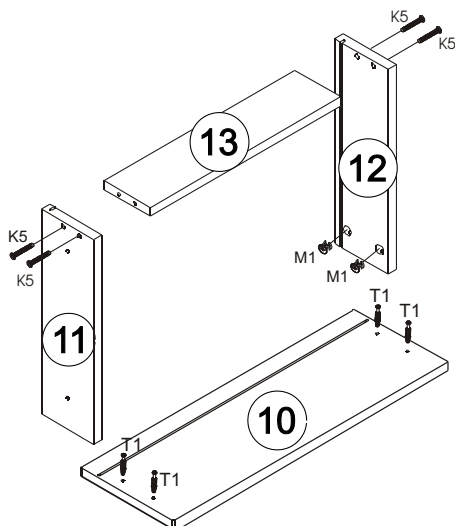
# 16▶



# 17▶



x3



# 18 ▶

