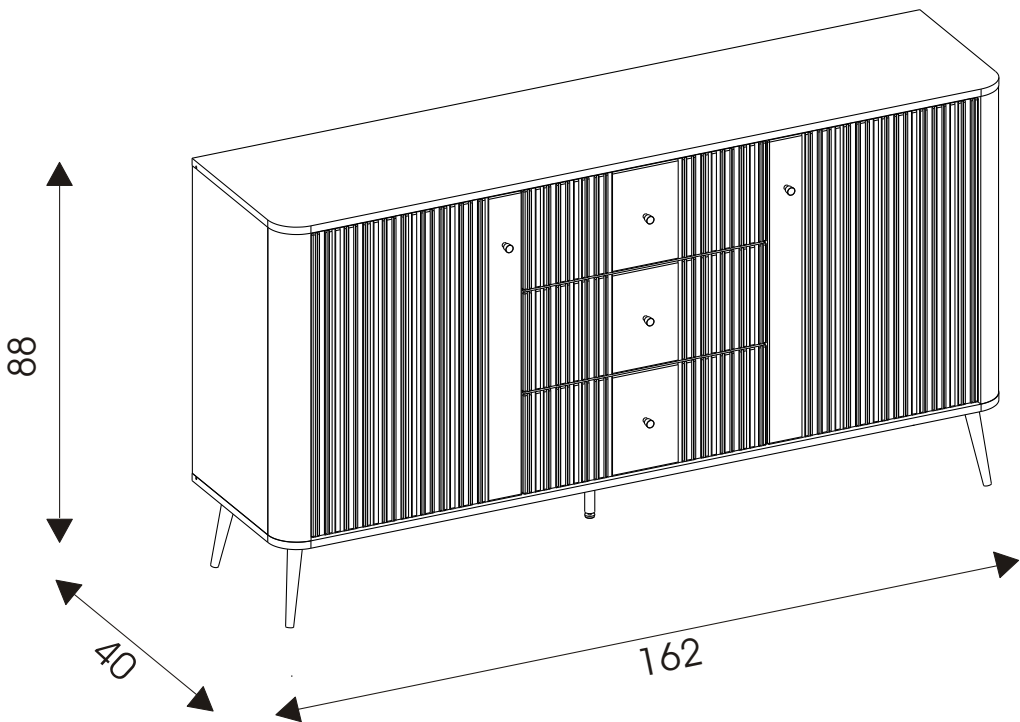
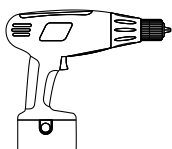
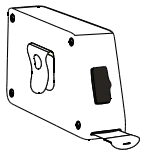
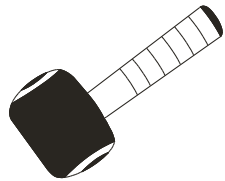
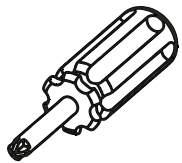
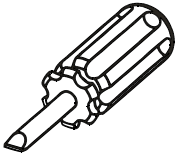
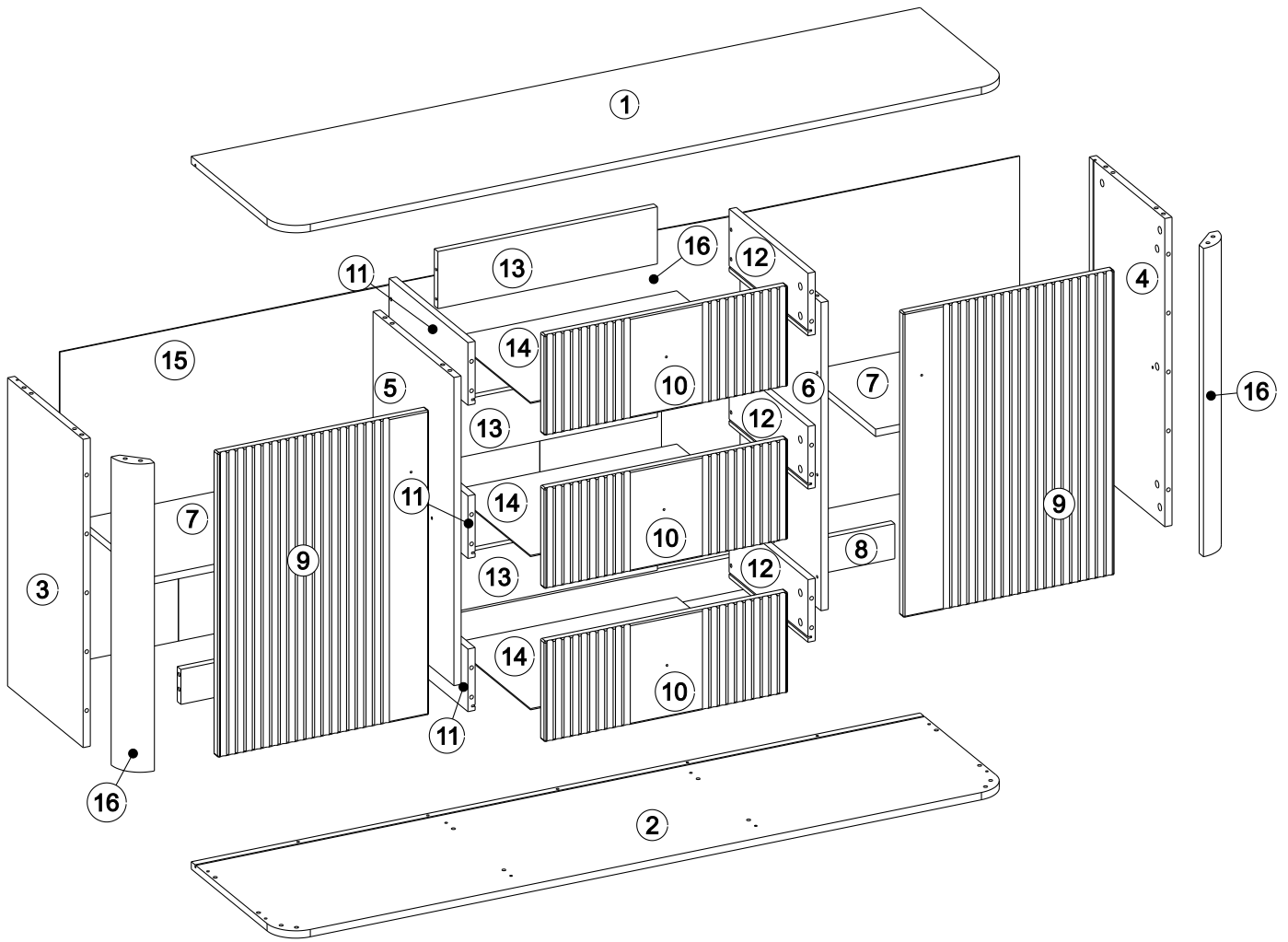


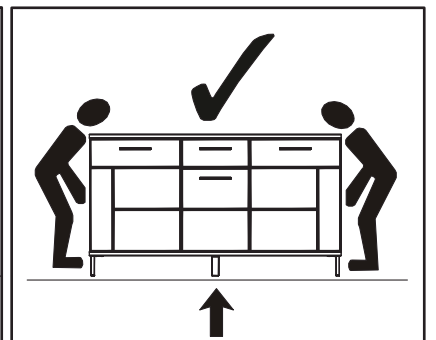
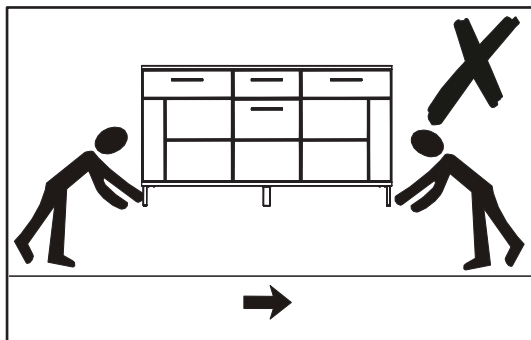
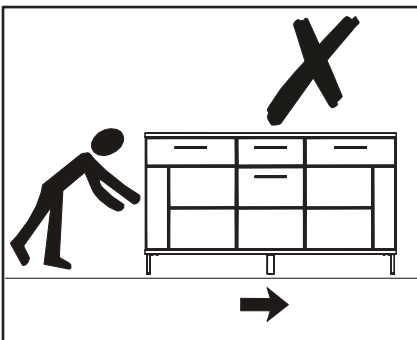
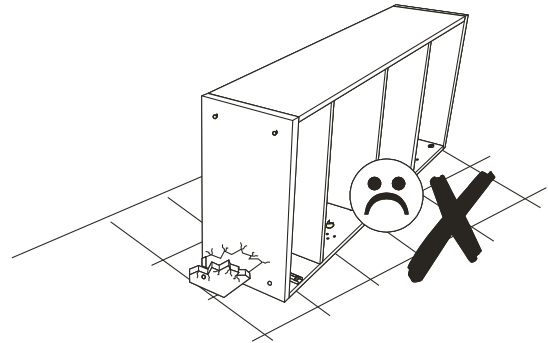
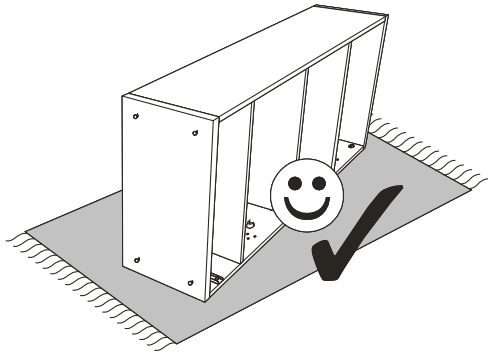
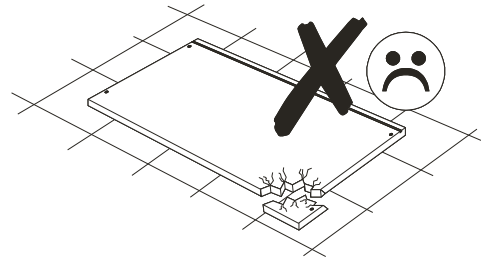
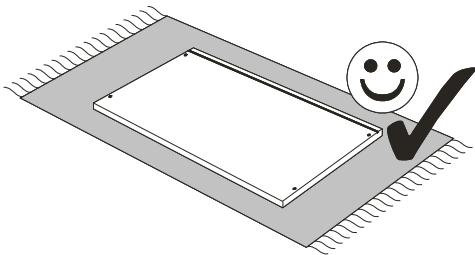
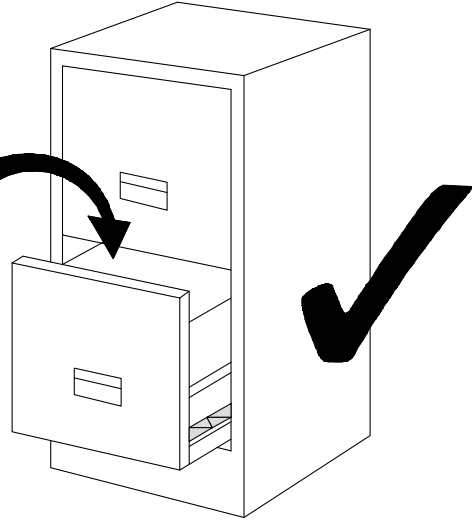
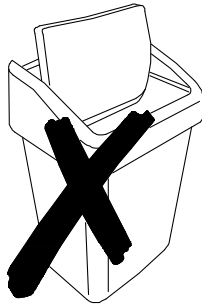
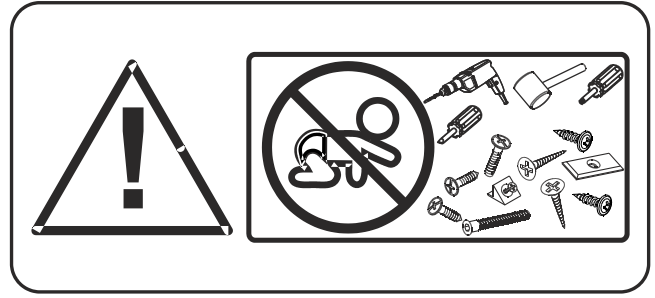
# MODEL:VG05

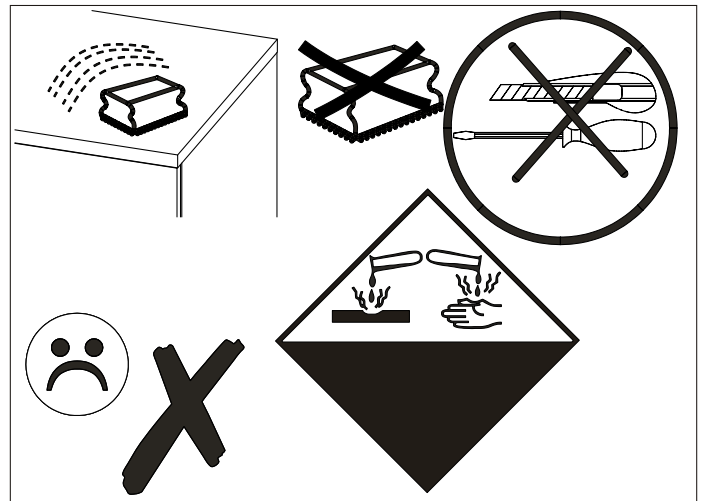
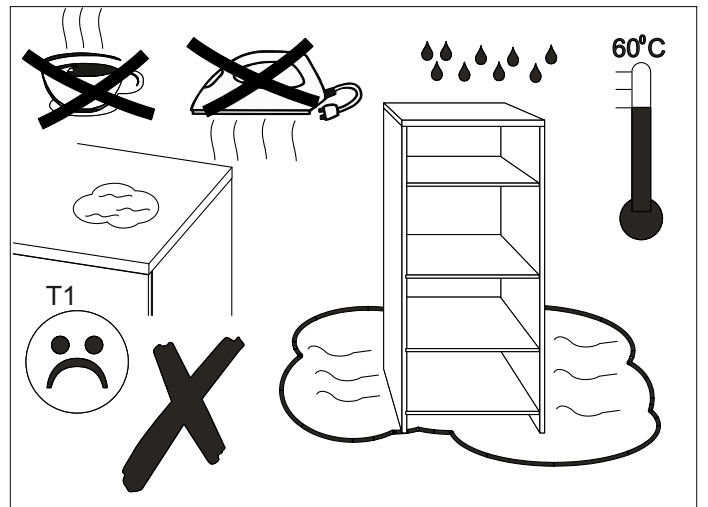
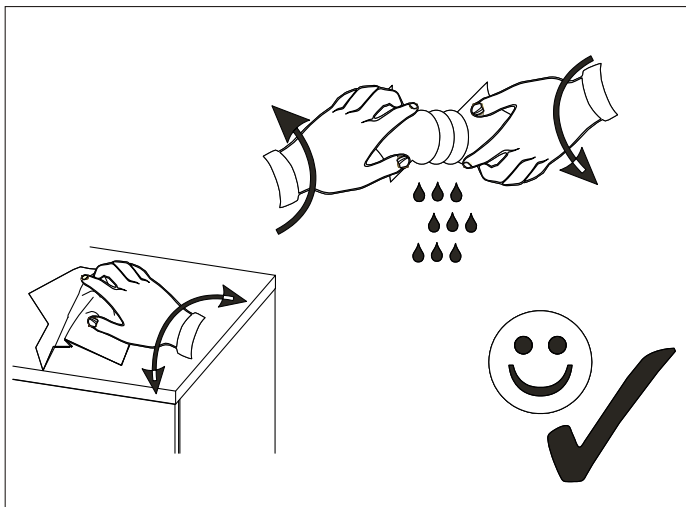
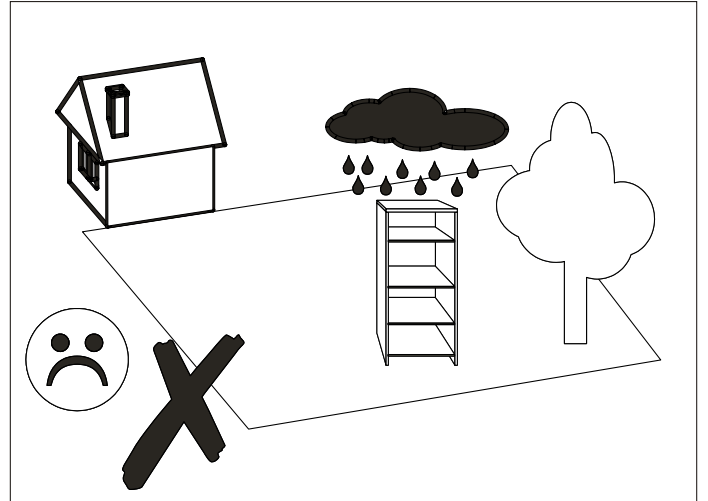
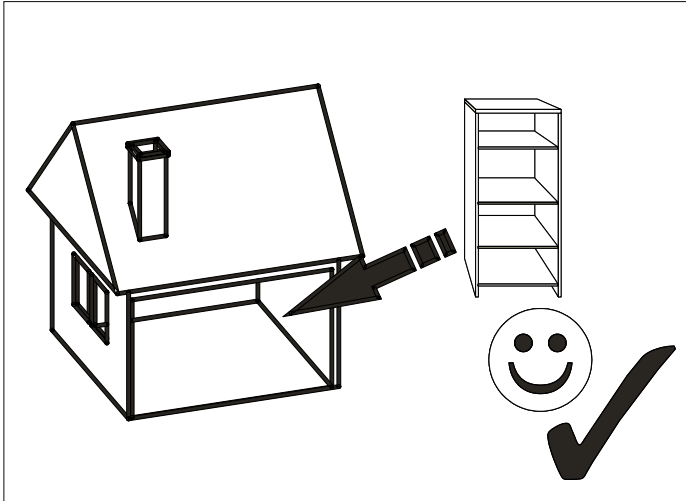


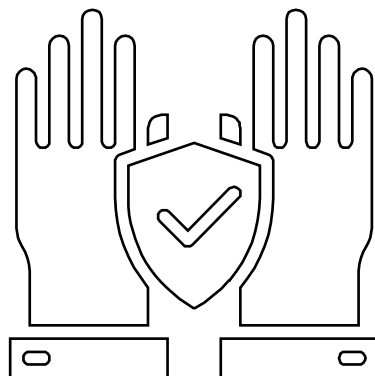
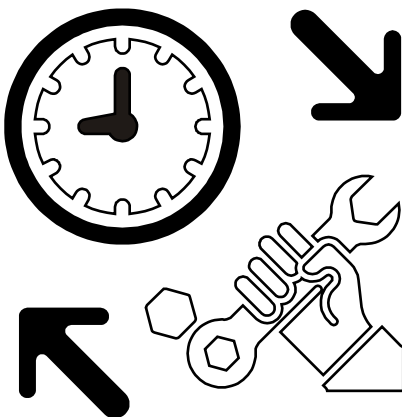
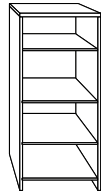
|                           |                        |               |                         |                         |                         |                         |                       |                       |  |
|---------------------------|------------------------|---------------|-------------------------|-------------------------|-------------------------|-------------------------|-----------------------|-----------------------|--|
| 4x<br><br>ZC45            | 8x<br><br>3.5x13<br>W3 | 8x<br><br>B1  |                         |                         |                         |                         |                       |                       |  |
| 26x<br><br>#20/863<br>ZN1 | 1x<br><br>N2           | 9x<br><br>ST1 | 3kpl<br><br>#300<br>PK3 | 5x<br><br>M4x24<br>S4   | 9x<br><br>3x20<br>W9    | 4x<br><br>N1            |                       |                       |  |
| 12x<br><br>6.4x50<br>K5   | 28x<br><br>8x30<br>K1  | 5x<br><br>U1  | 1x<br><br>K20           | 43x<br><br>#15/15<br>M1 | 43x<br><br>DU232T<br>T1 | 20x<br><br>4.5x16<br>W7 | 25x<br><br>2x20<br>G1 | 24x<br><br>5x11<br>E1 |  |



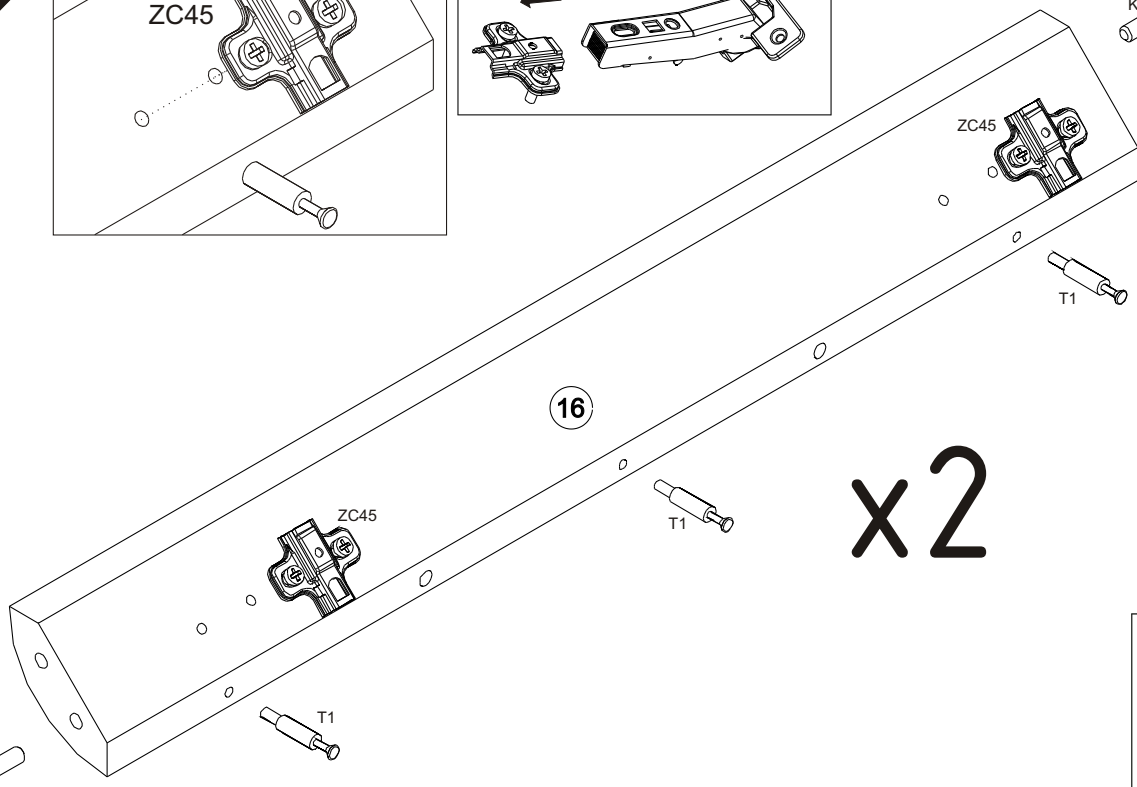
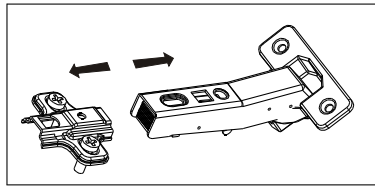
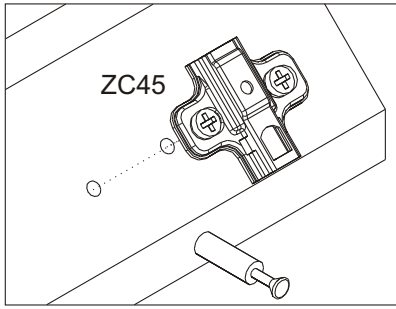
|   |           |     |    |          |     |
|---|-----------|-----|----|----------|-----|
| 9 | 662x468   | 3/4 |    |          |     |
| 8 | 1584x76   | 2/4 |    |          |     |
| 7 | 511x312   | 2/4 | 16 | 670x90.5 | 2/4 |
| 6 | 670x359   | 2/4 | 15 | 1595x681 | 1/4 |
| 5 | 670x359   | 2/4 | 14 | 336x485  | 1/4 |
| 4 | 670x335.5 | 2/4 | 13 | 470x124  | 1/4 |
| 3 | 670x335.5 | 2/4 | 12 | 330x136  | 1/4 |
| 2 | 1617x400  | 1/4 | 11 | 330x136  | 1/4 |
| 1 | 1617x400  | 1/4 | 10 | 540x218  | 3/4 |



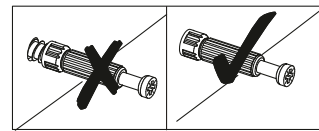
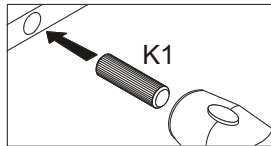
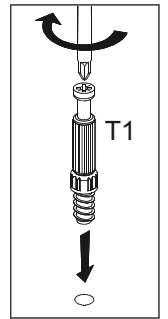




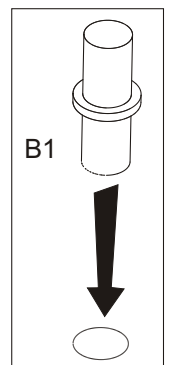
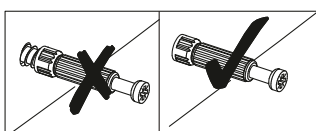
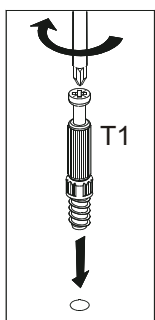
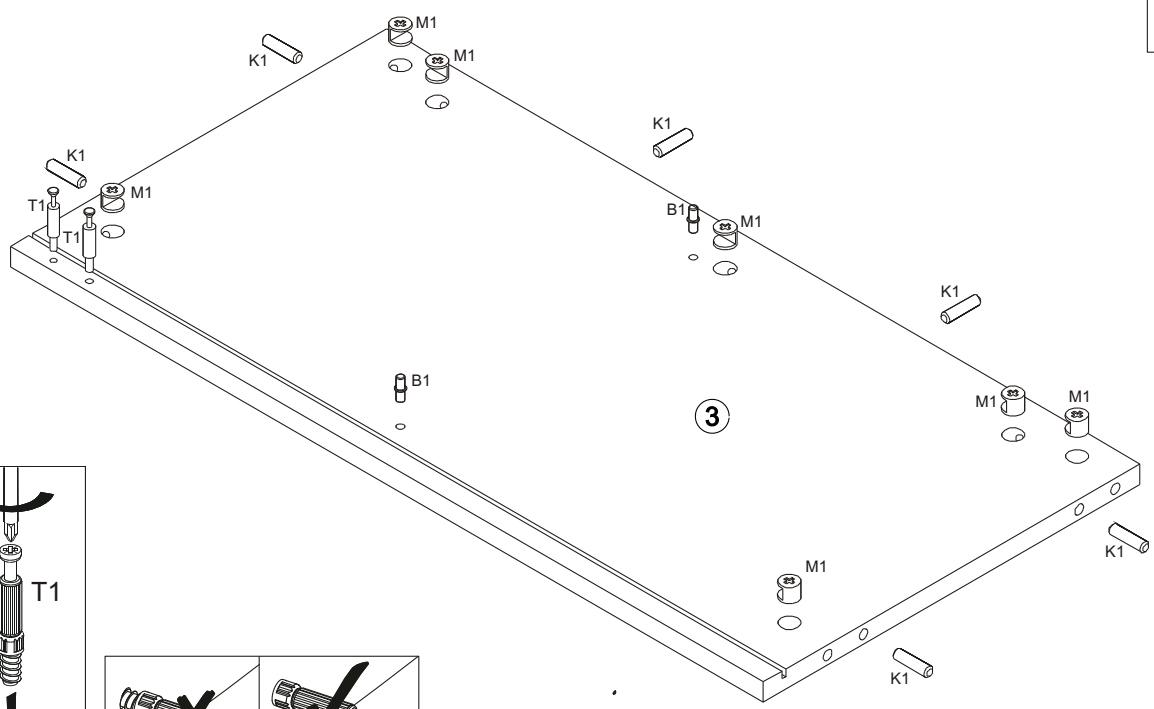
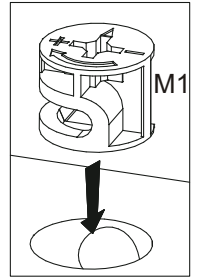
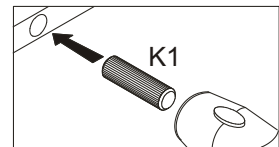
1



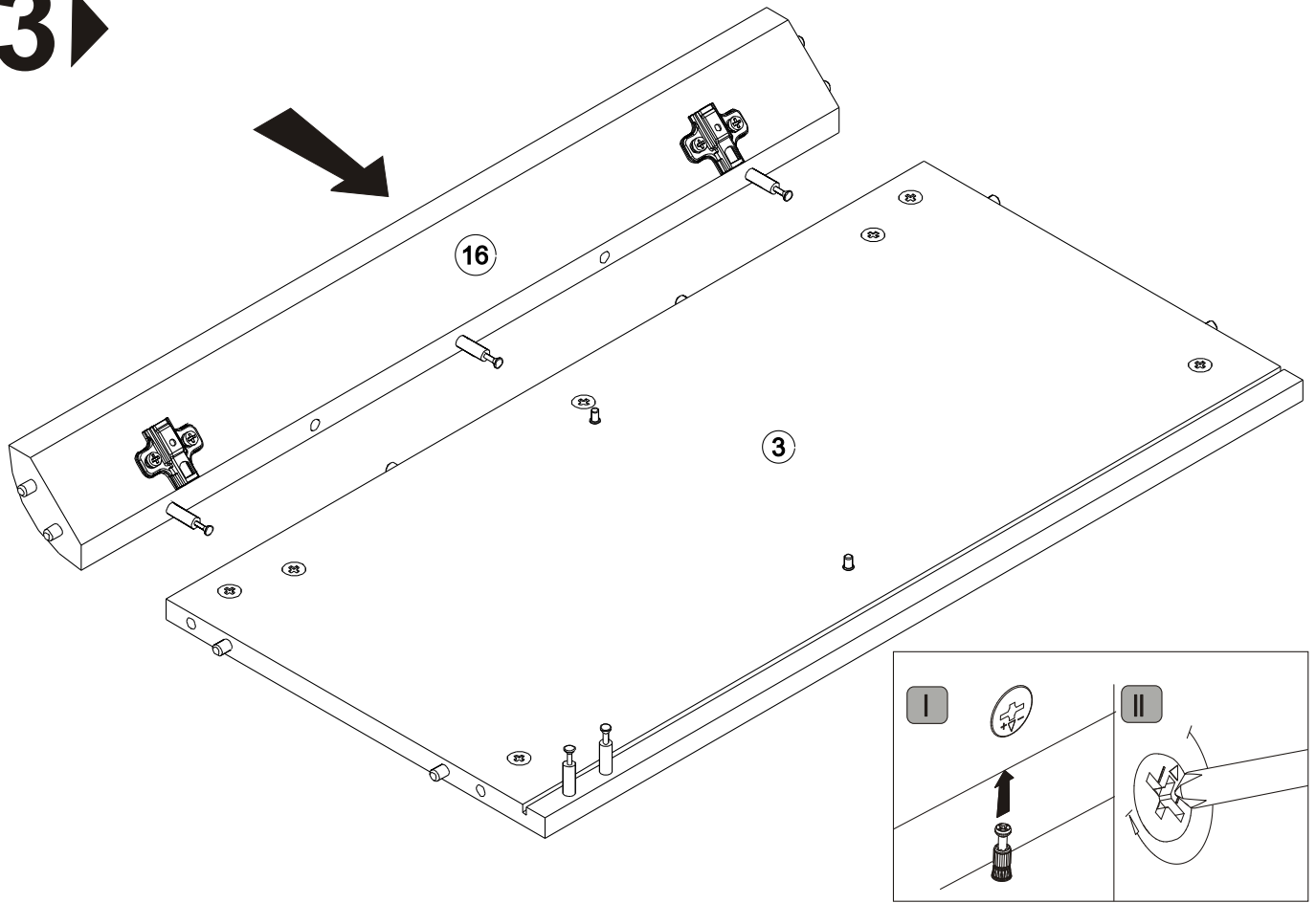
x2



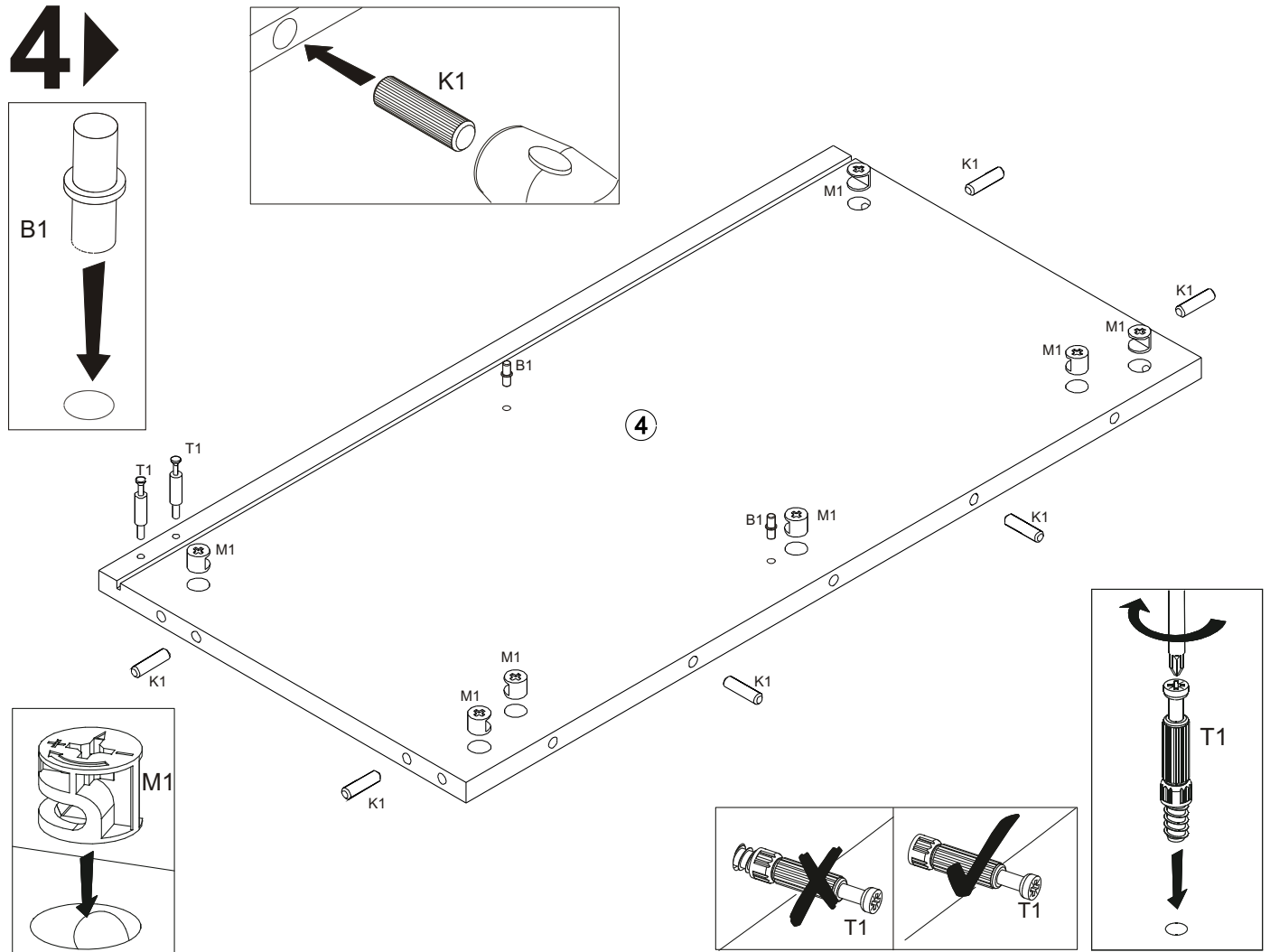
2



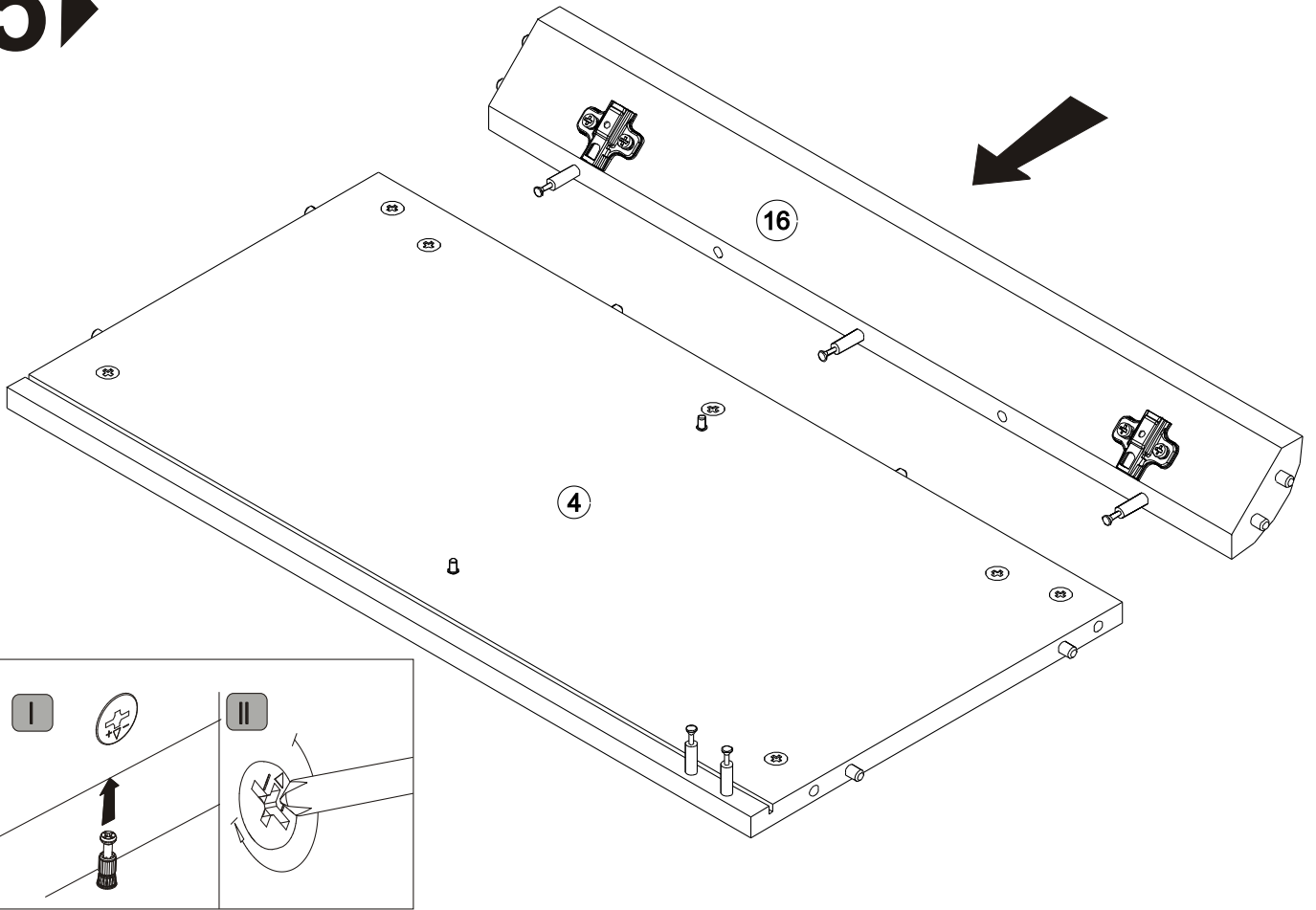
# 3 ▶



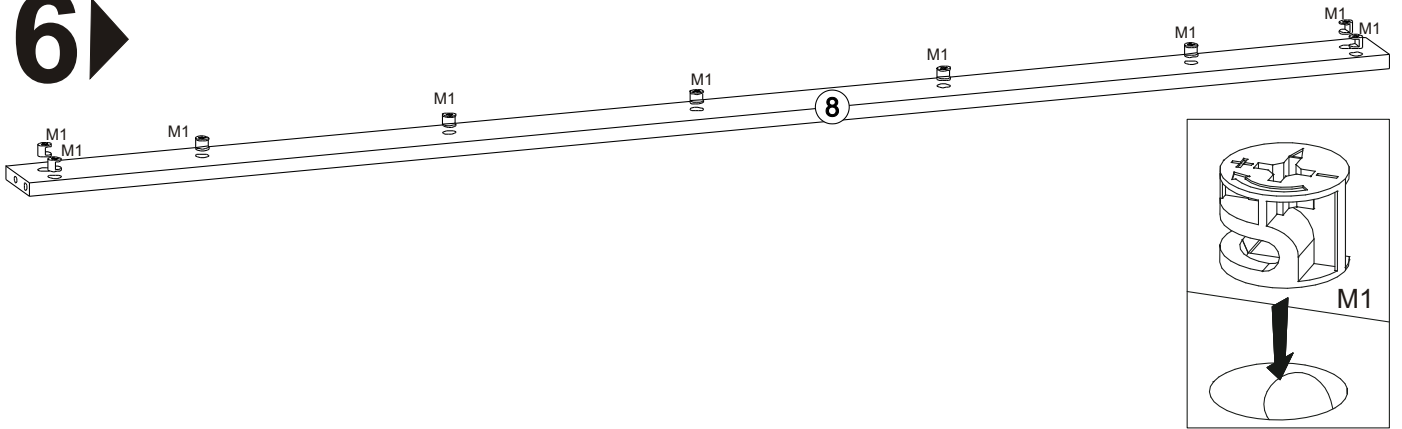
# 4 ▶



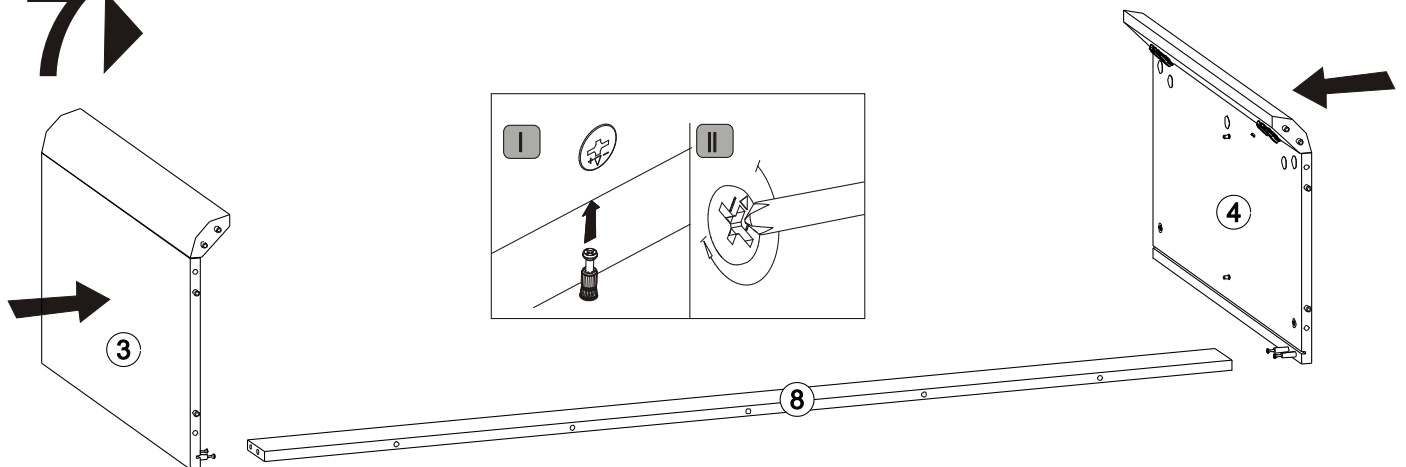
5 ▶



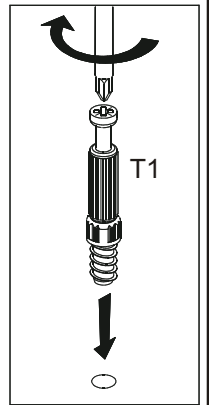
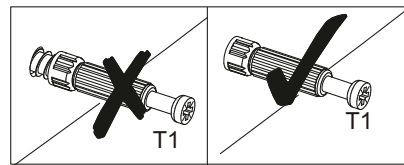
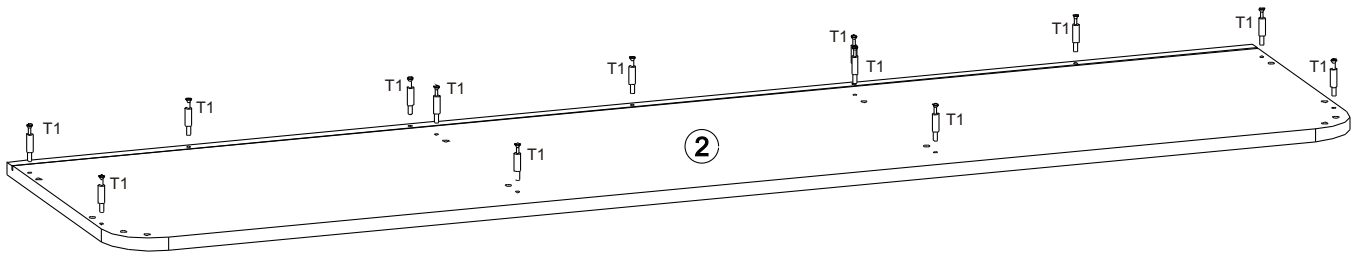
6 ▶



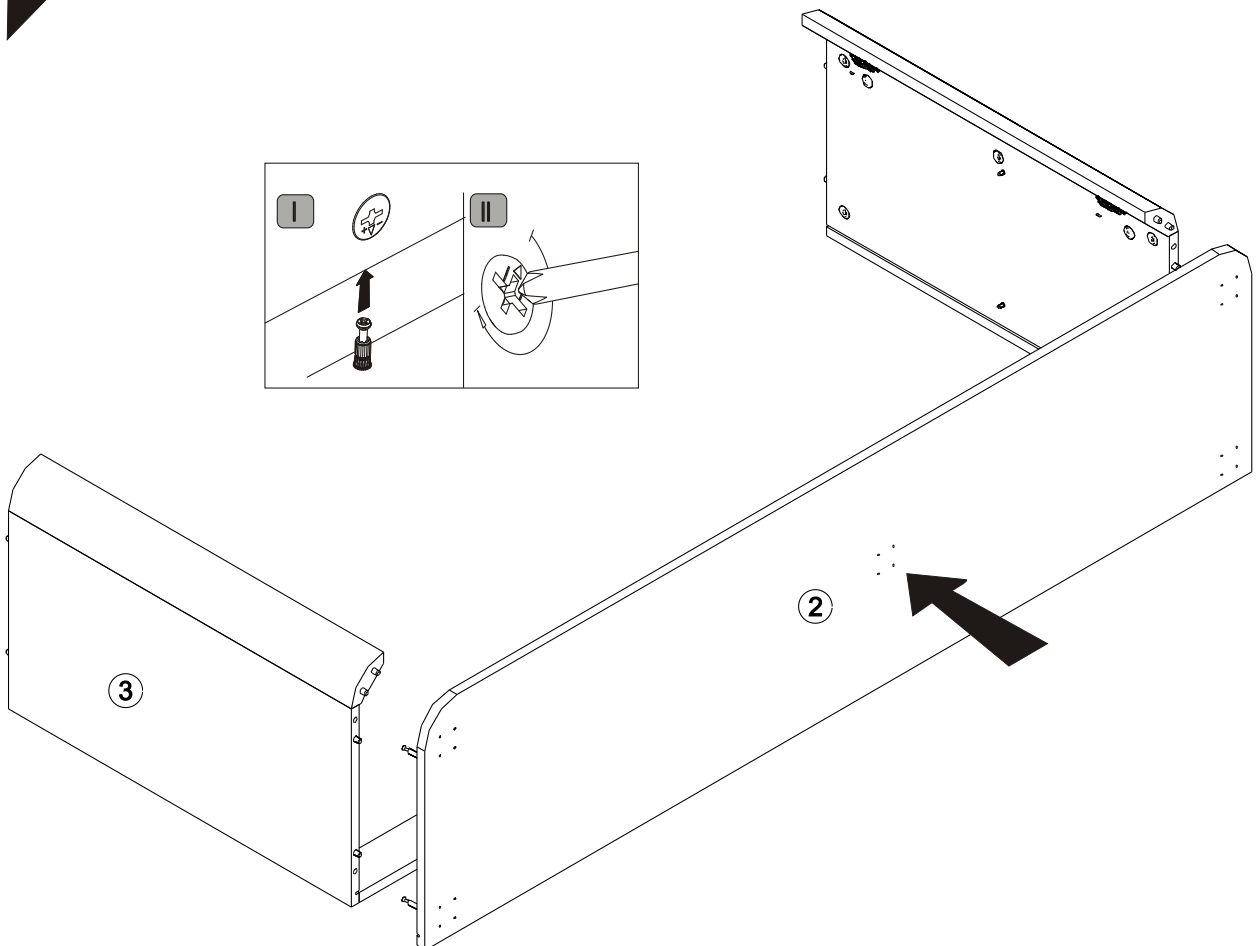
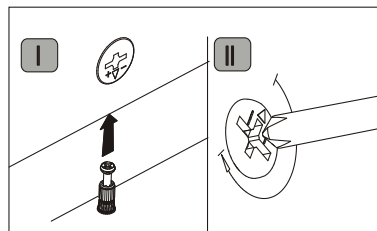
7 ▶



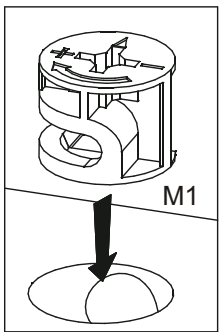
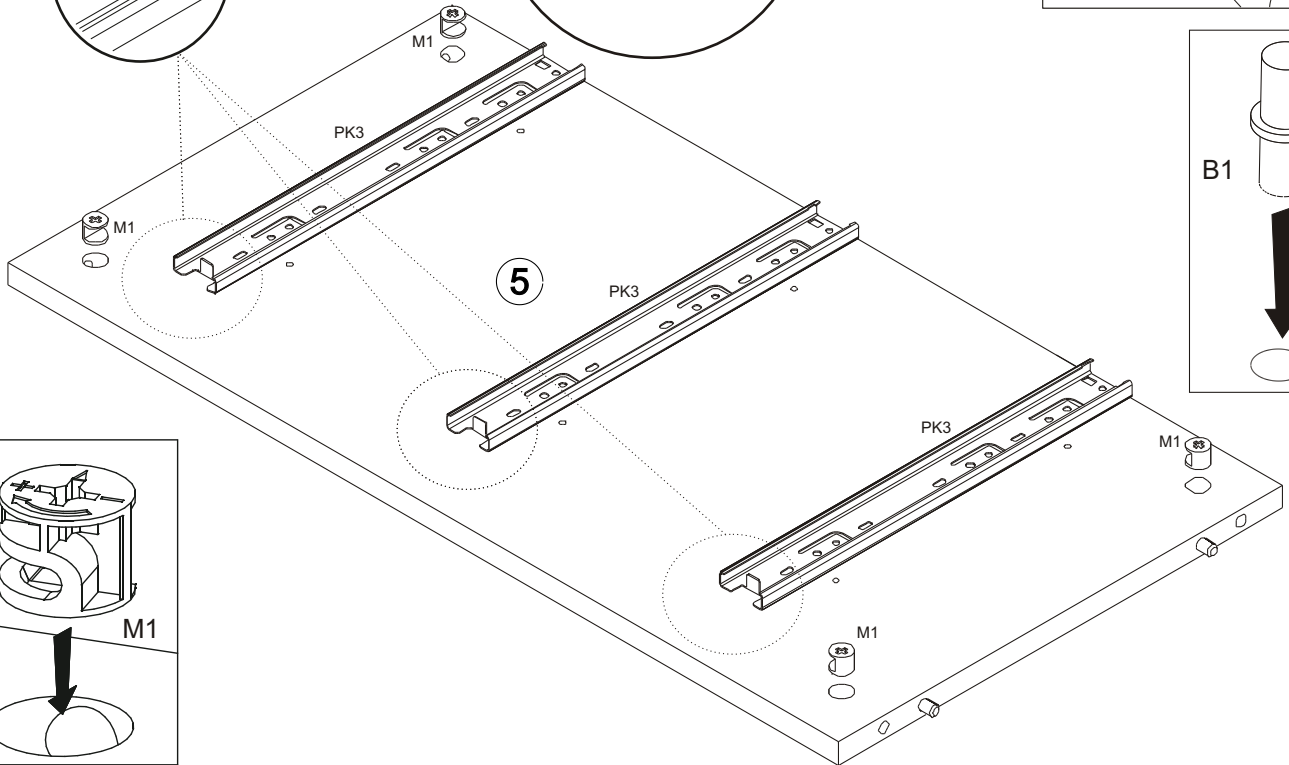
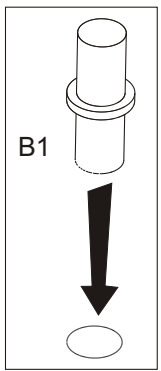
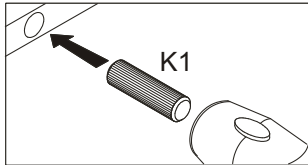
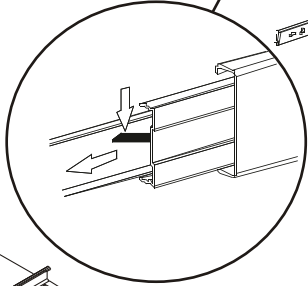
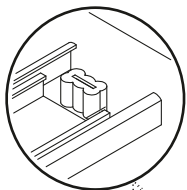
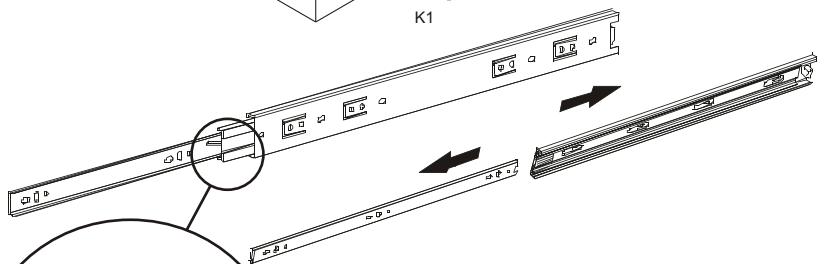
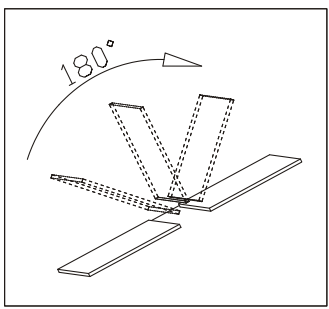
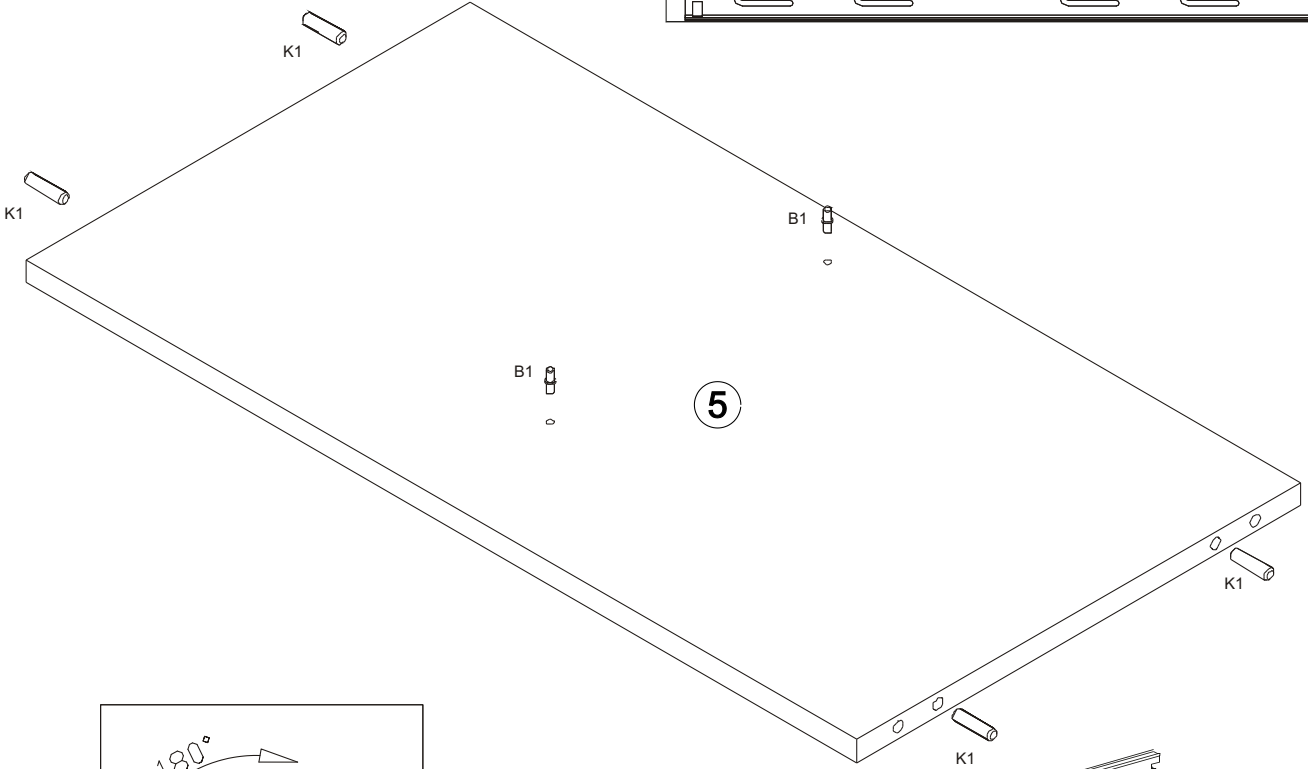
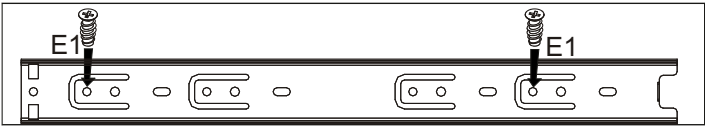
# 8 ▶



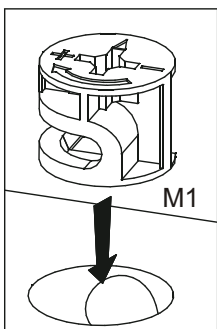
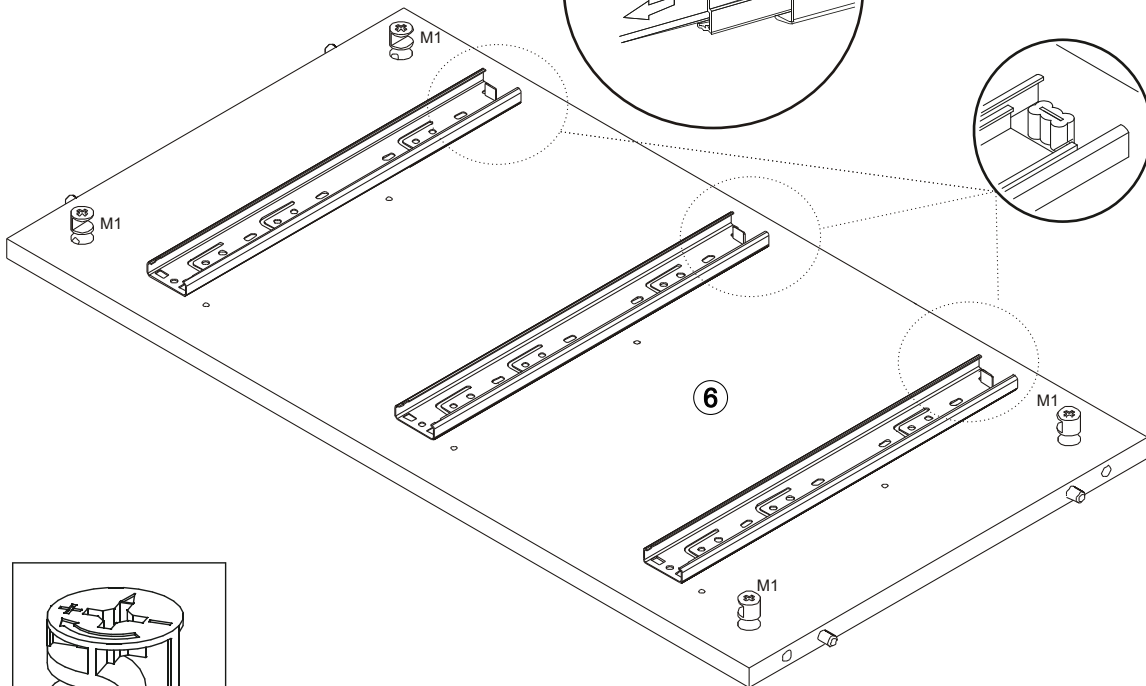
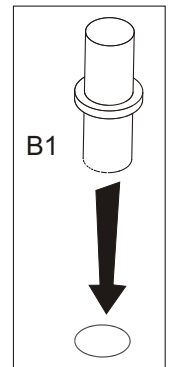
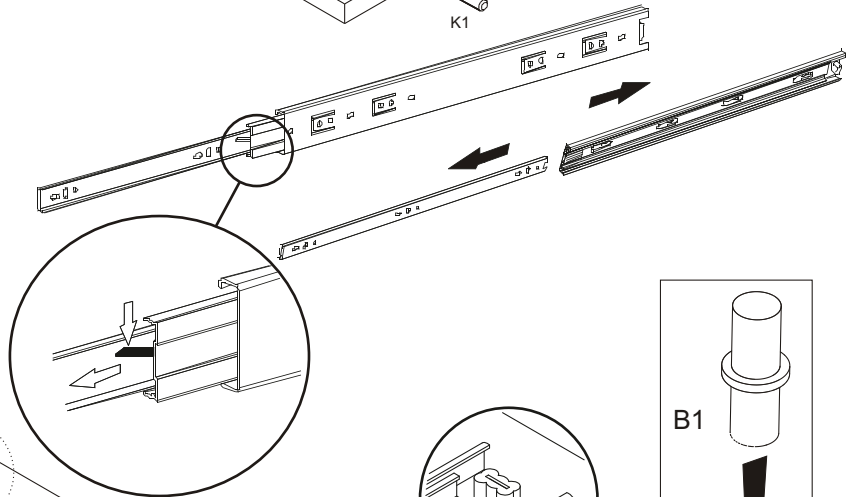
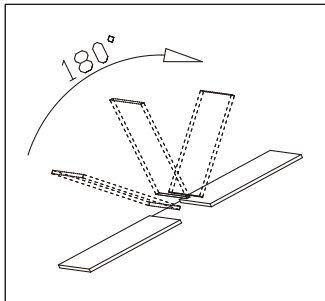
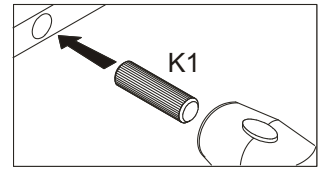
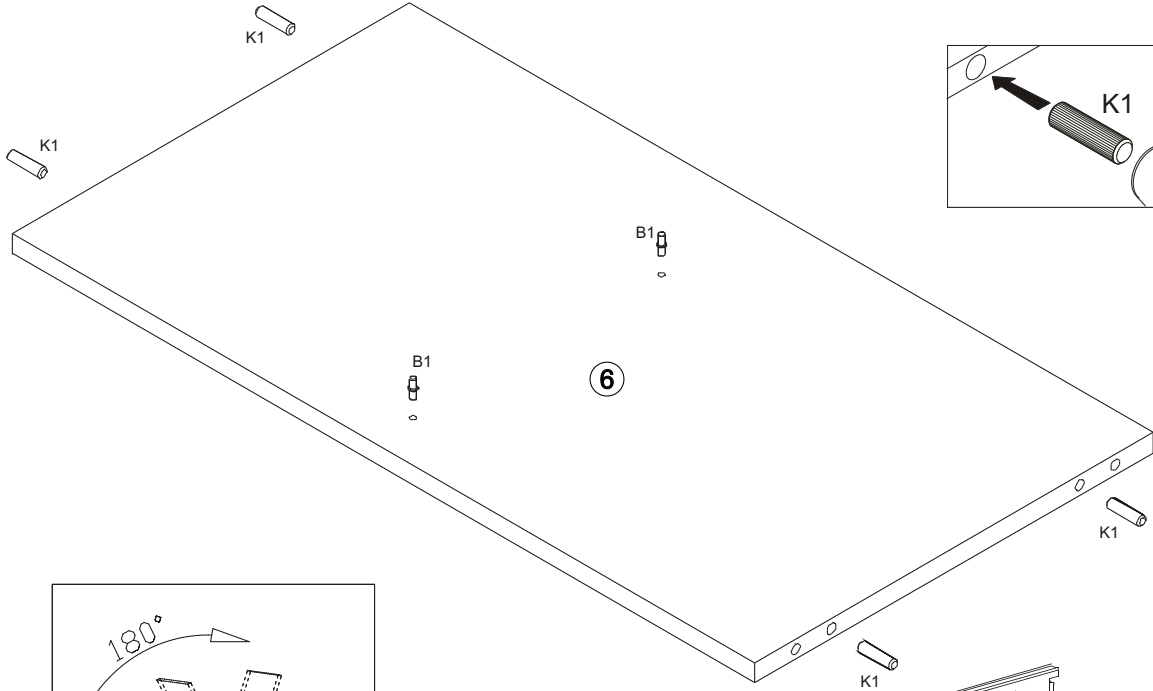
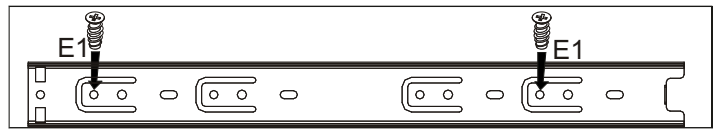
# 9 ▶



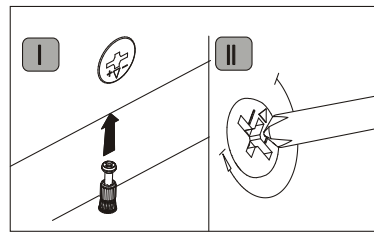
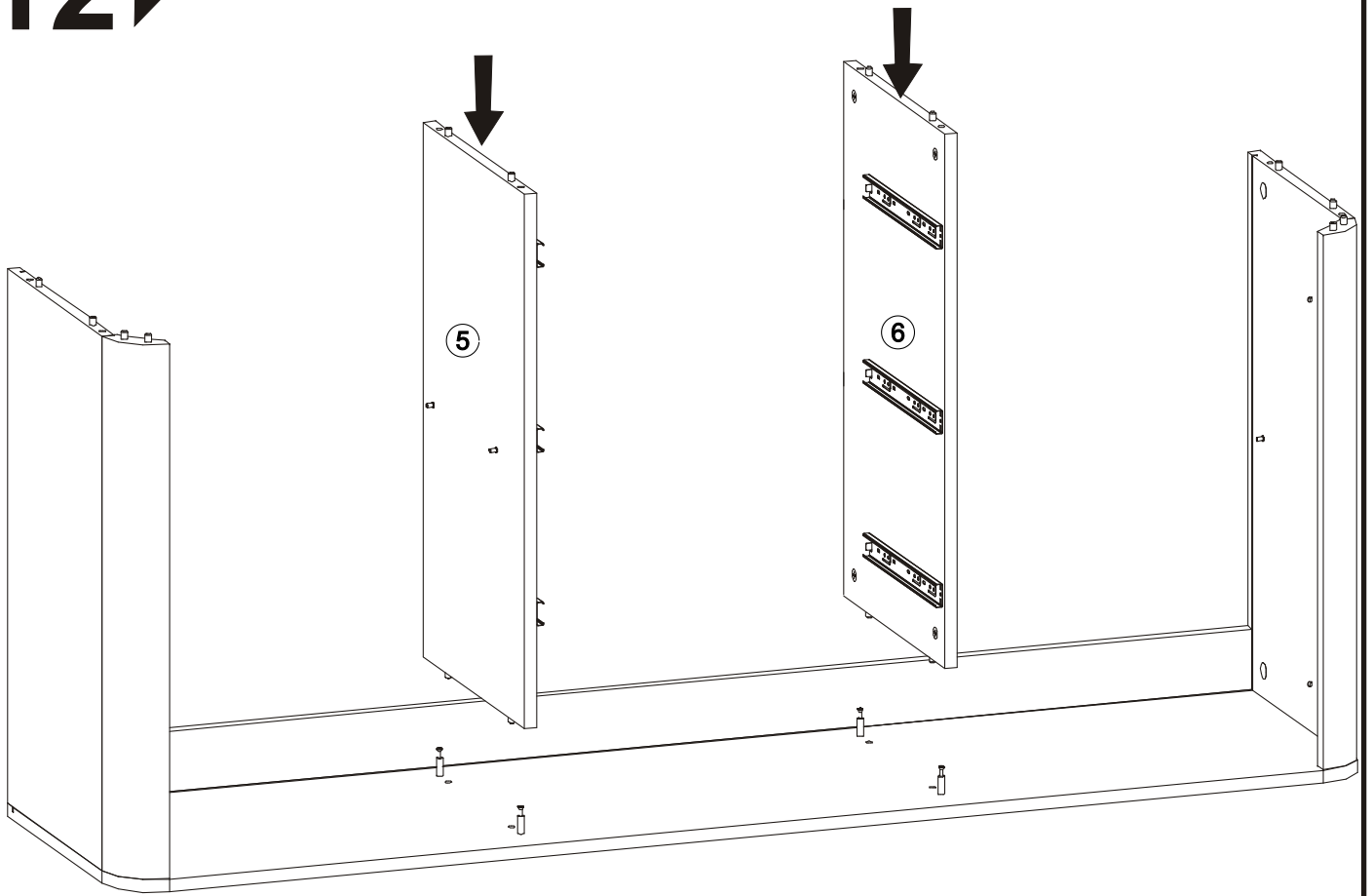
# 10 ▶



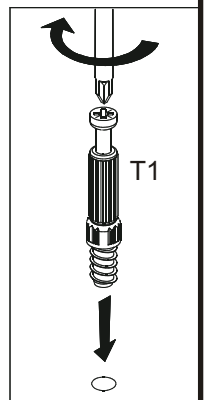
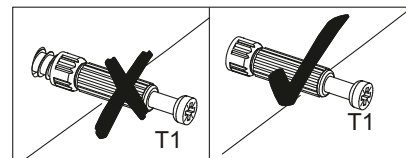
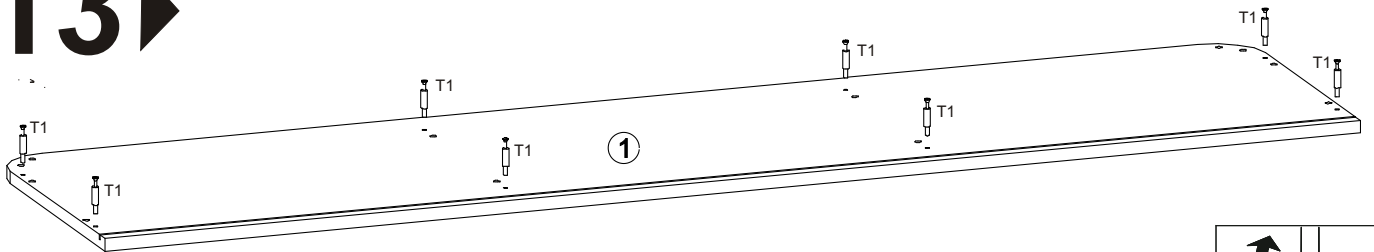
# 11 ▶



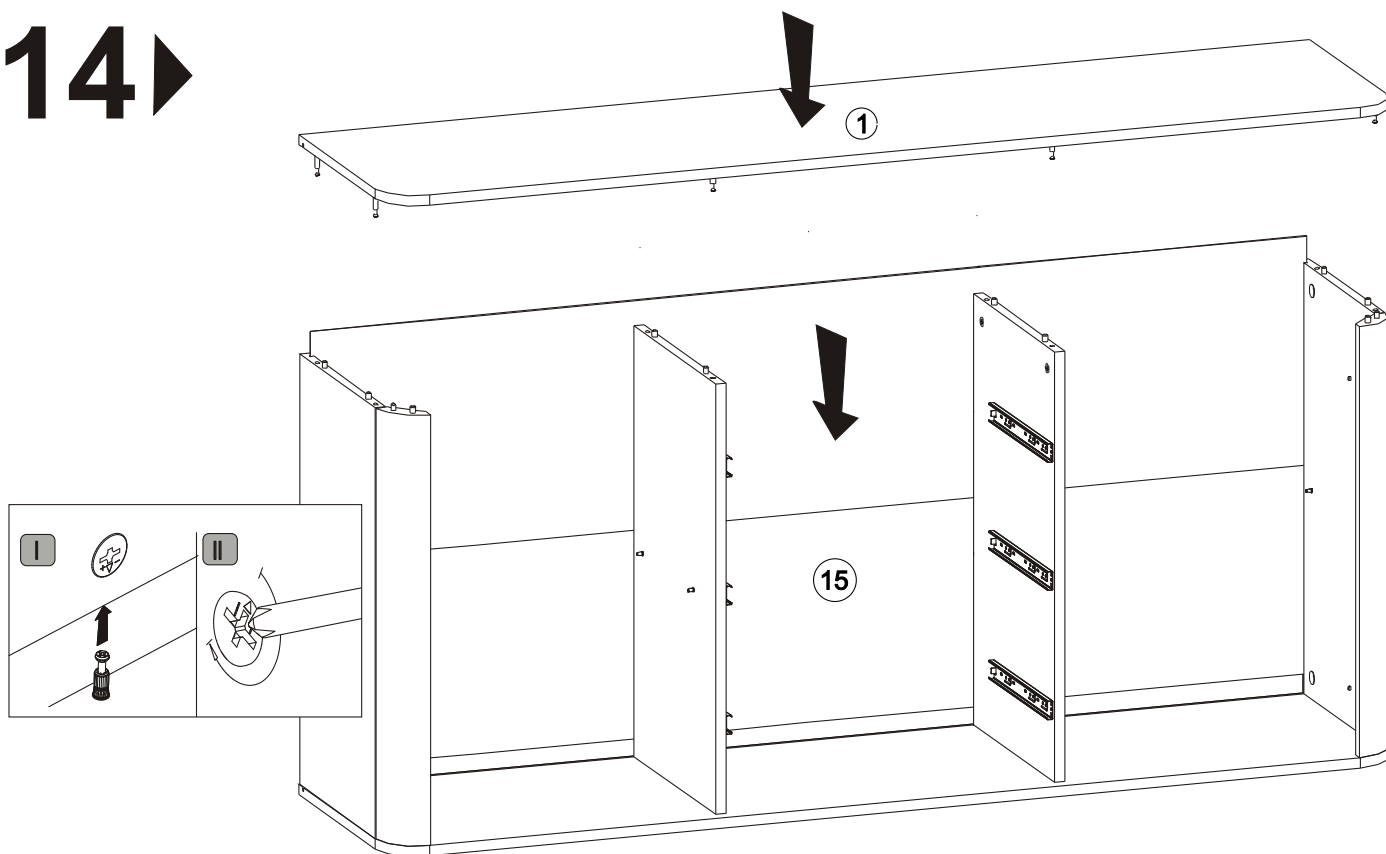
# 12 ▶



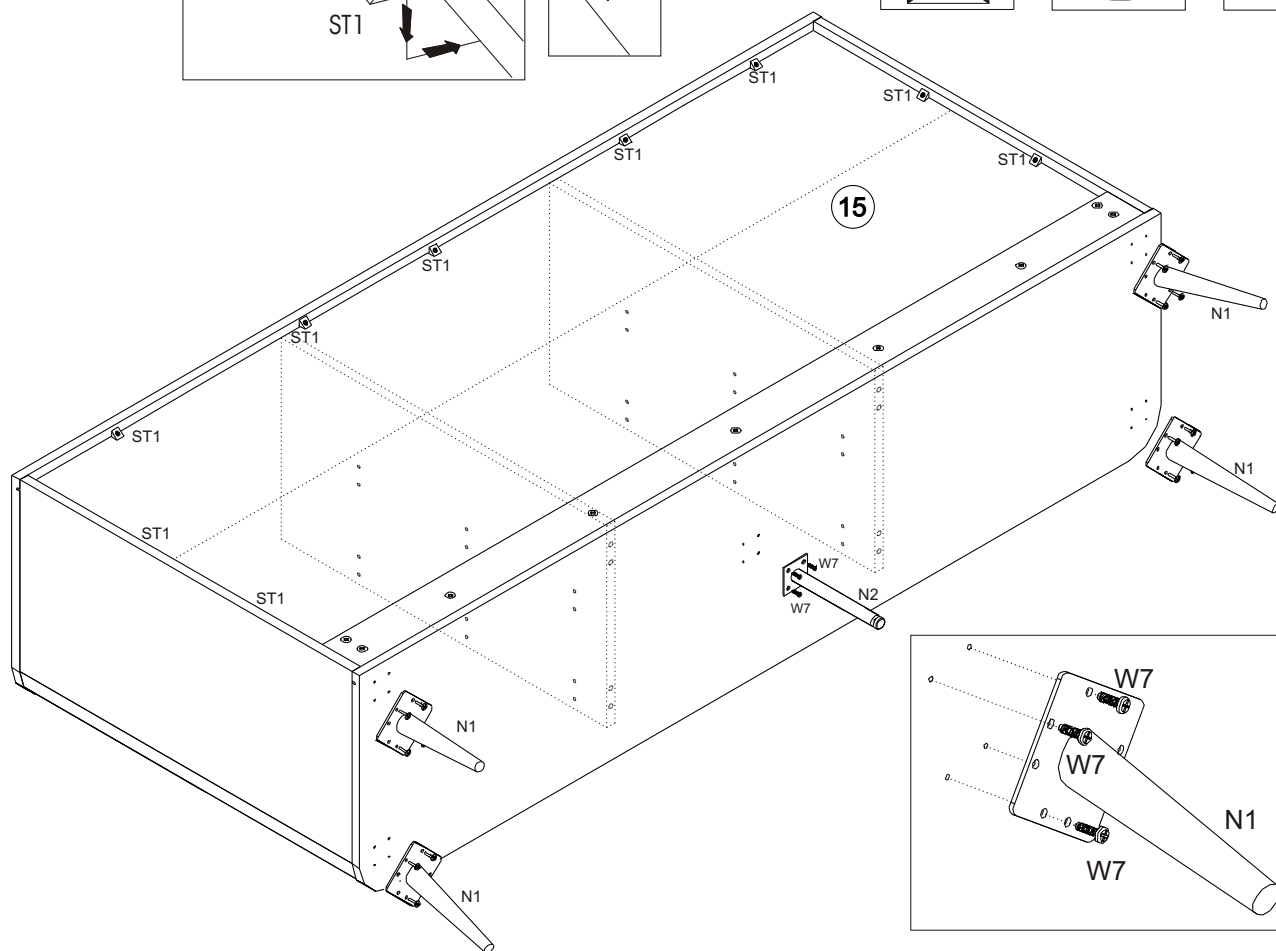
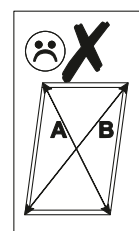
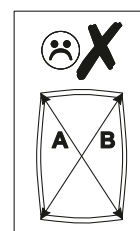
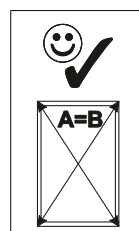
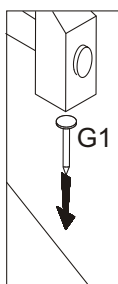
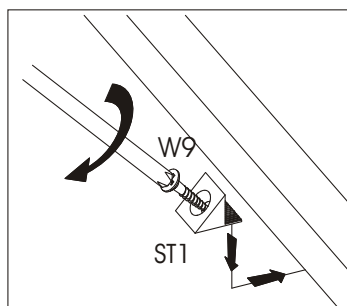
# 13 ▶



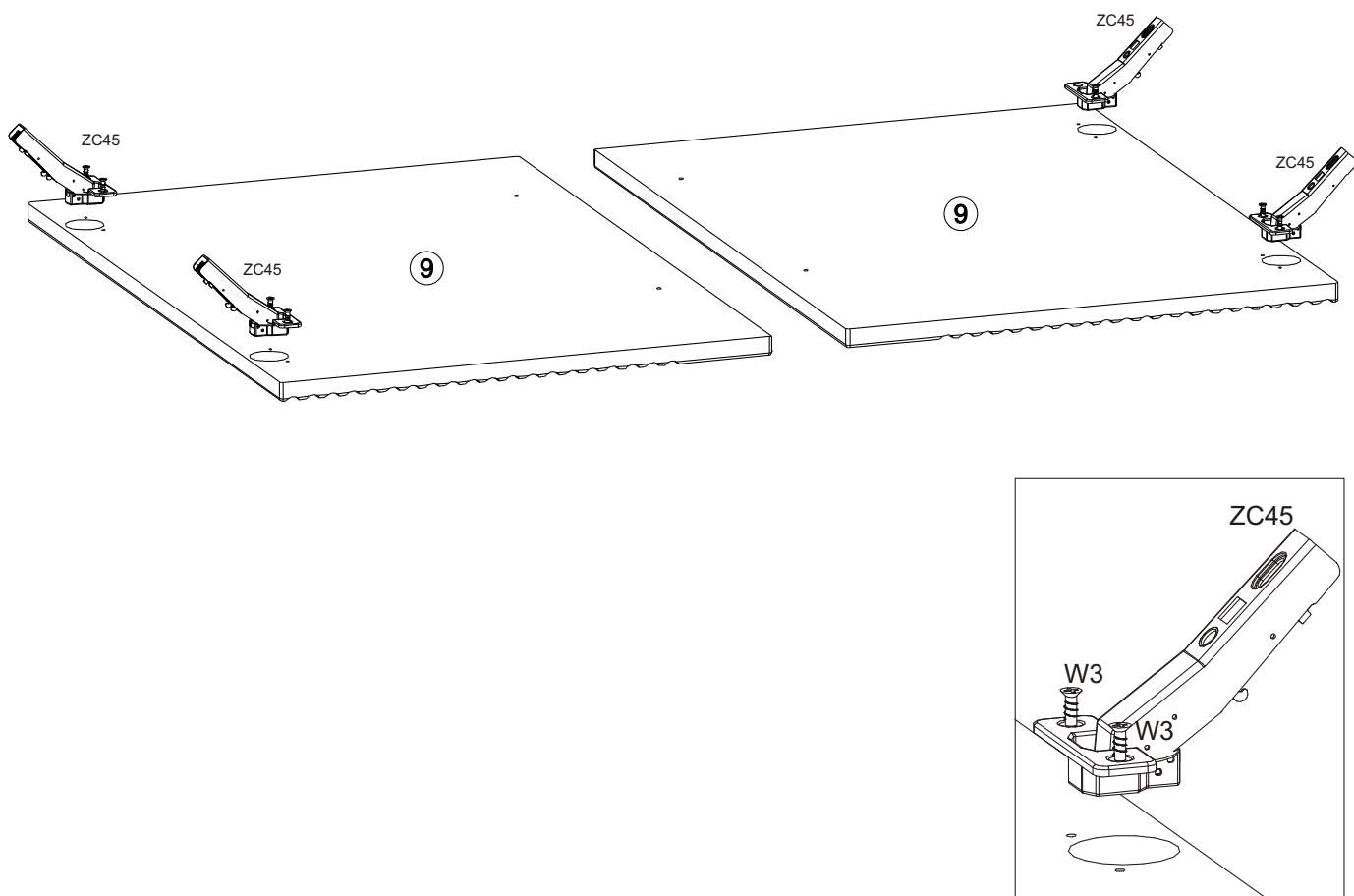
# 14▶



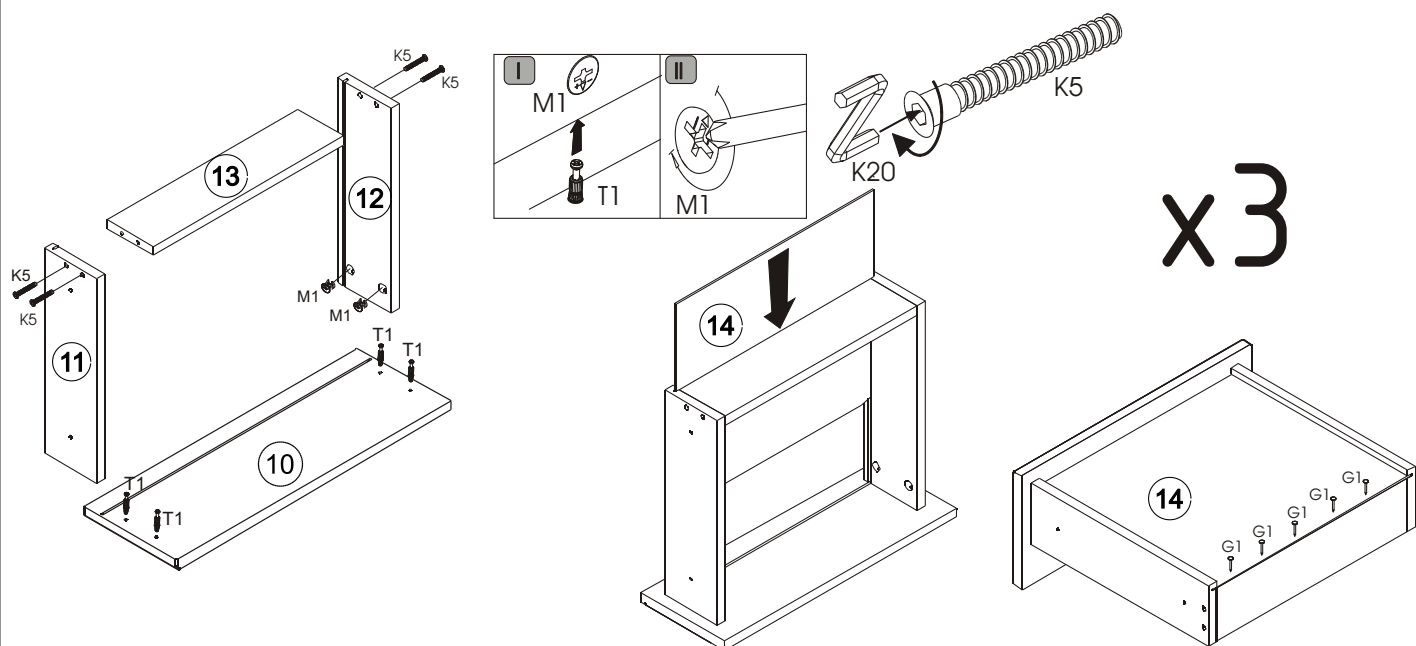
# 15▶



# 16▶



# 17▶



# 18 ▶

