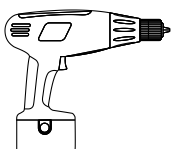
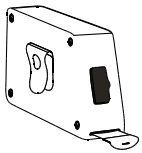
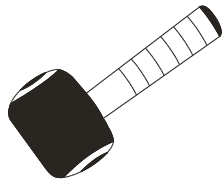
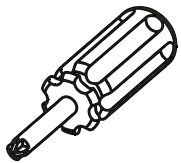
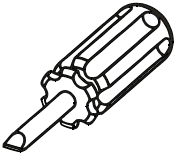


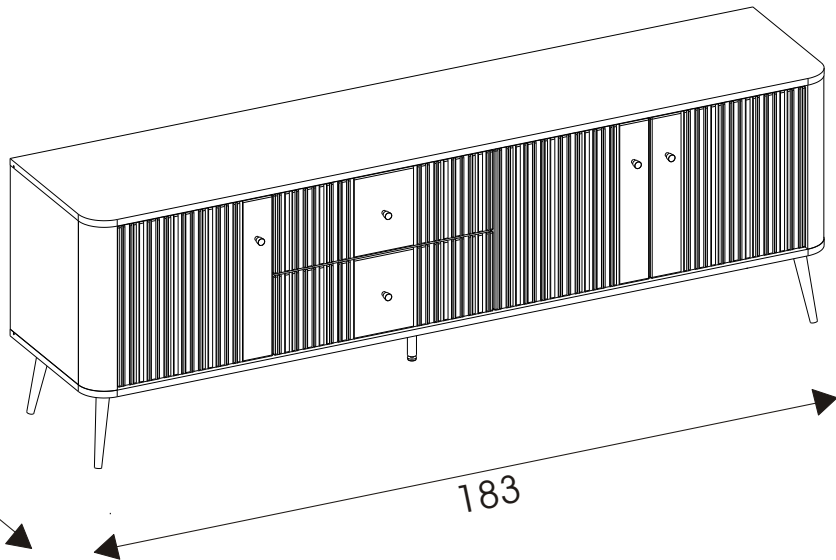
MODEL:V602



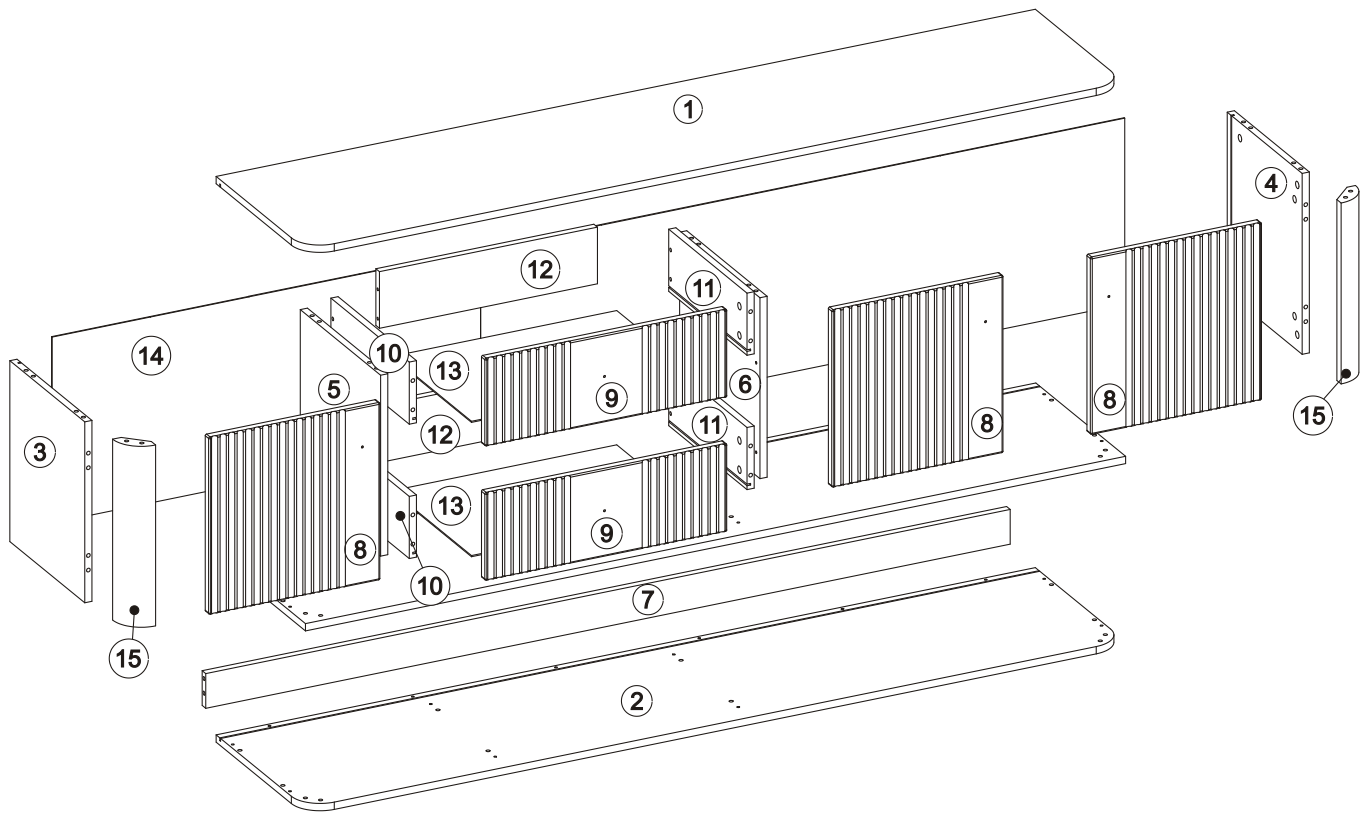
61

40

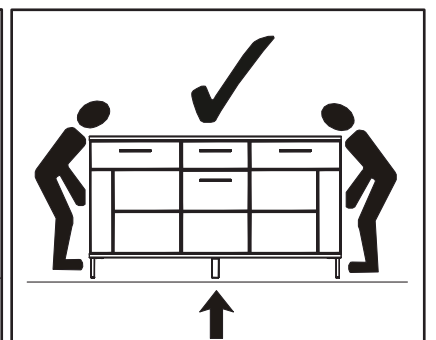
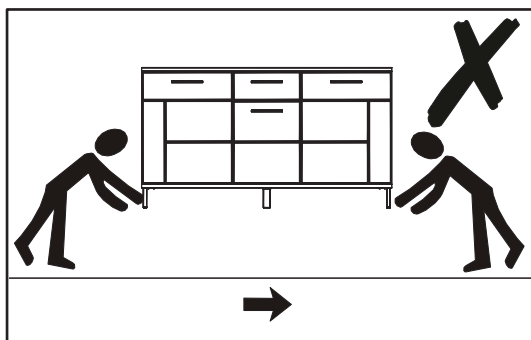
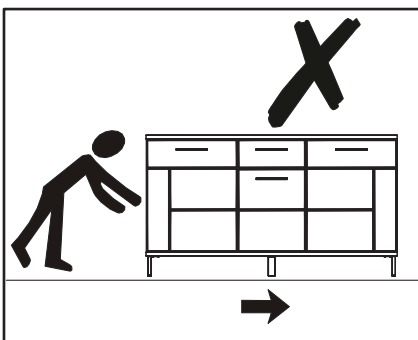
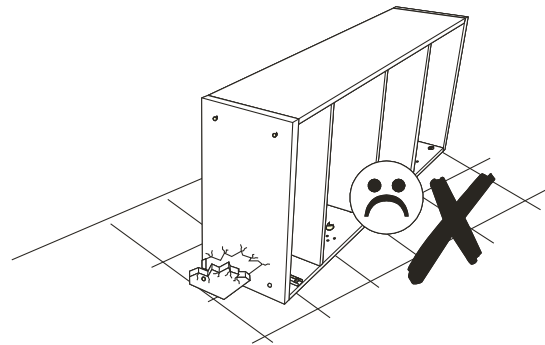
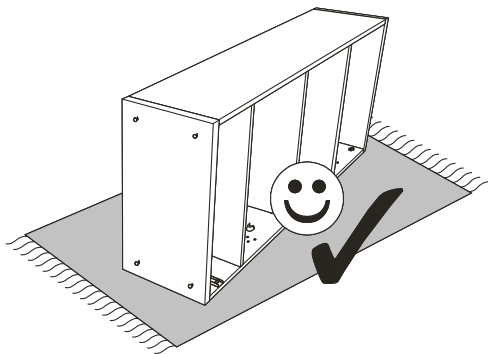
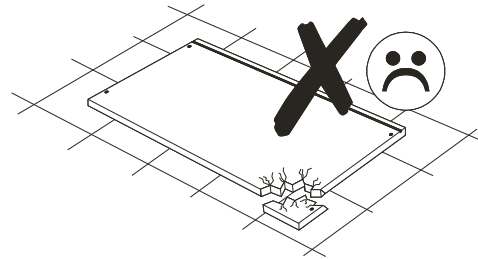
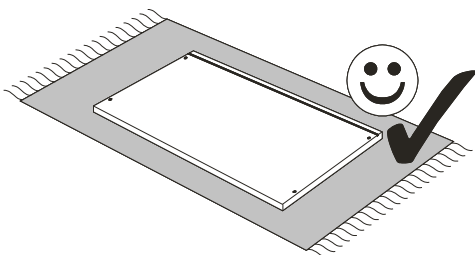
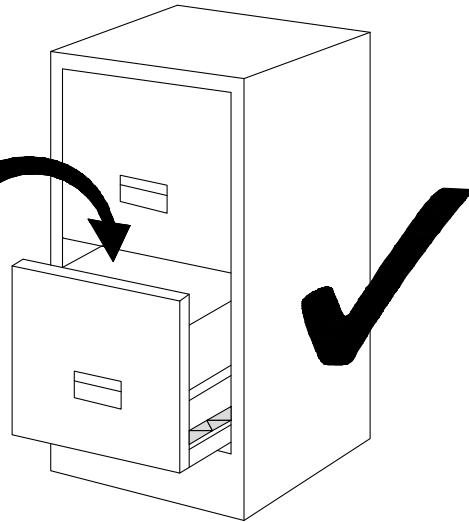
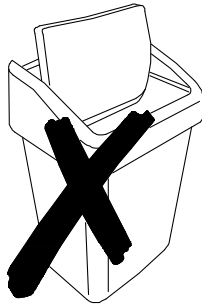
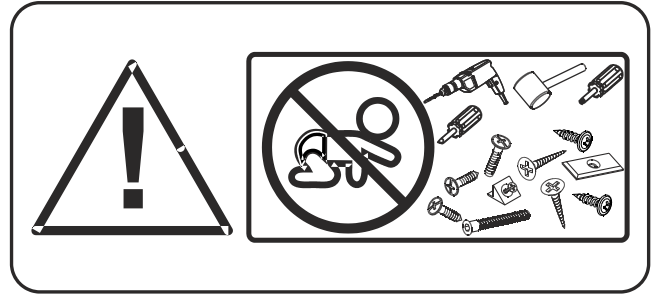
183

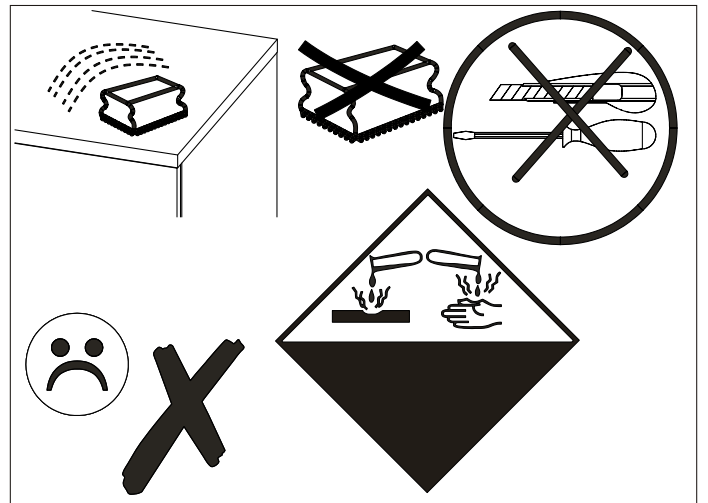
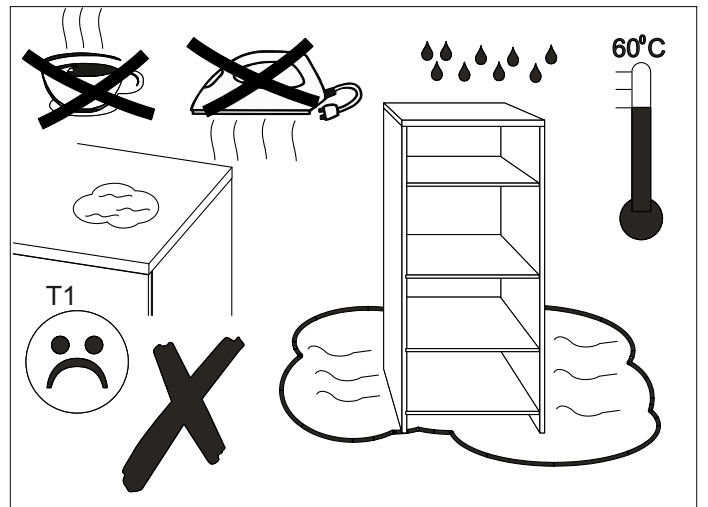
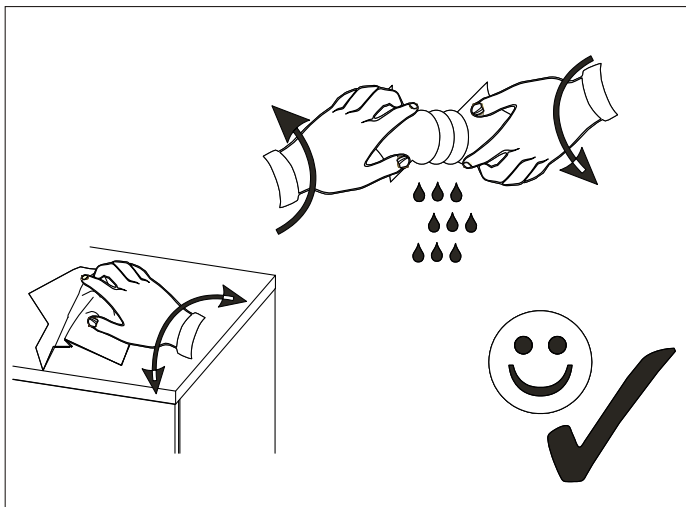
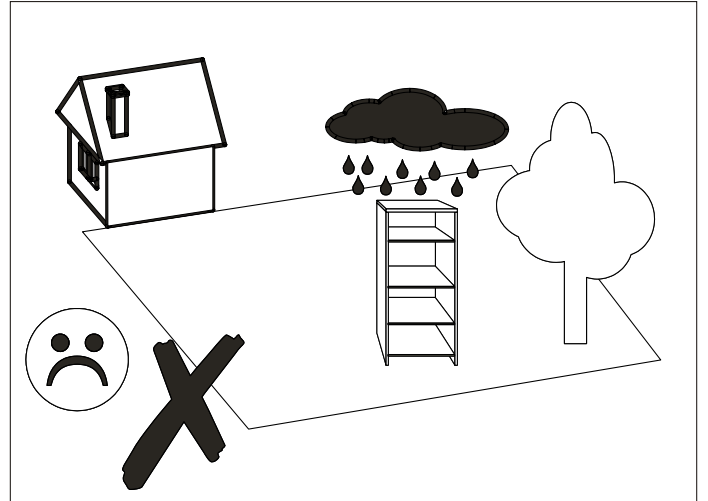
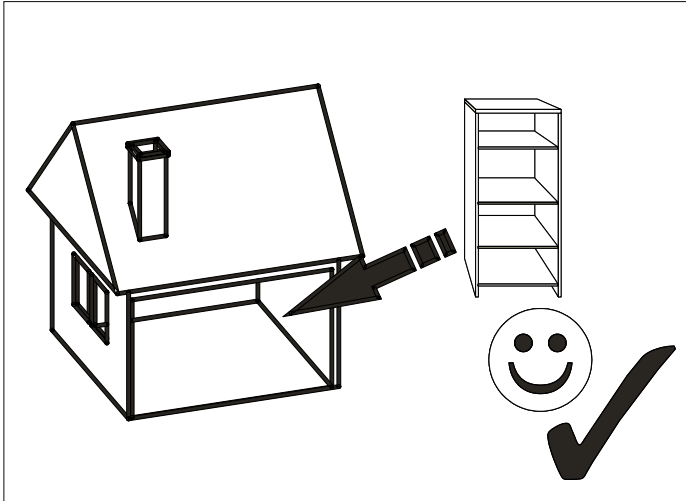


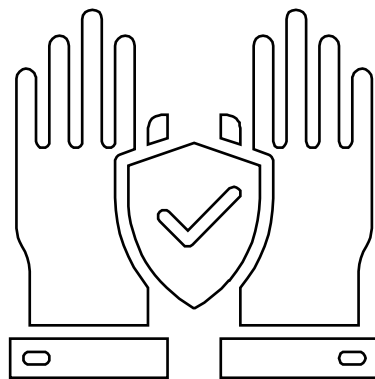
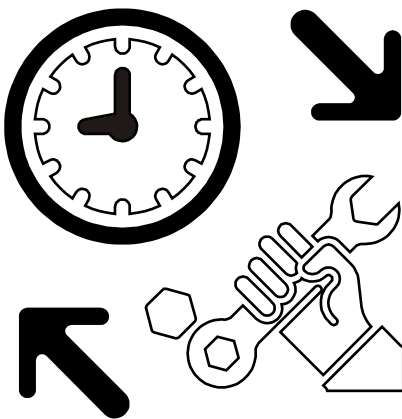
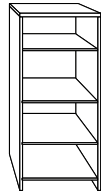
4x ZC45	13x 3.5x13 W3	4x B1	2x ZC8	5x M4x24 S4	1x H2			
20x #20/042 ZN1	1x N2	7x ST1	2kpl #300 PK3	4x N1	7x 3x20 W9			
8x 6.4x50 K5	28x 8x30 K1	5x U1	1x K20	38x #15/15 M1	38x DU232T T1	20x 4,5x16 W7	18x 2x20 G1	16x 5x11 E1



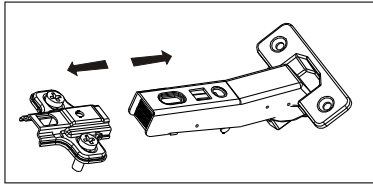
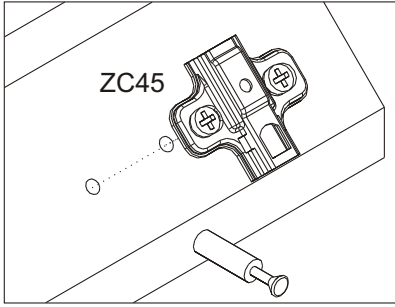
9	540x192	3/4			
8	388x382	3/4			
7	1797x76	1/4			
6	396x359	2/4	15	396x90.5	2/4
5	396x359	2/4	14	1808x407	1/4
4	396x335.5	2/4	13	336x485	1/4
3	396x335.5	2/4	12	470x124	1/4
2	1830x400	1/4	11	330x136	1/4
1	1830x400	1/4	10	330x136	1/4



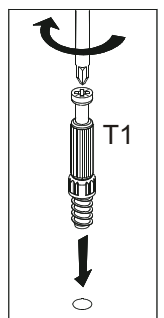
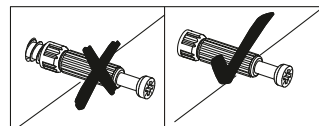
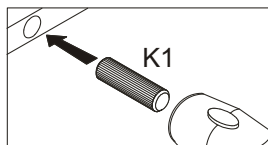
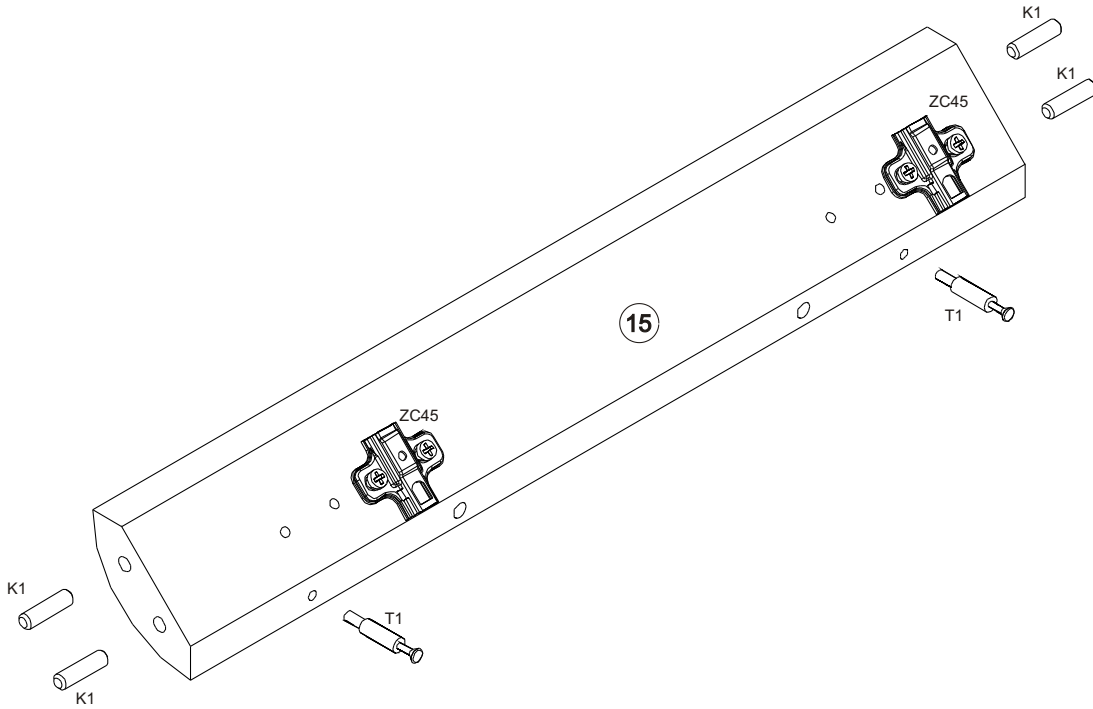




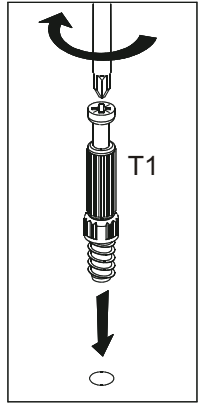
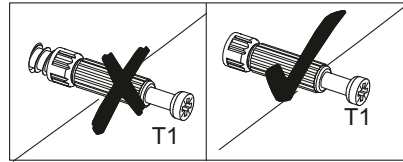
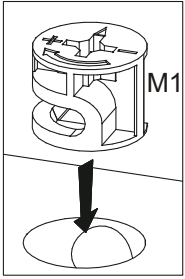
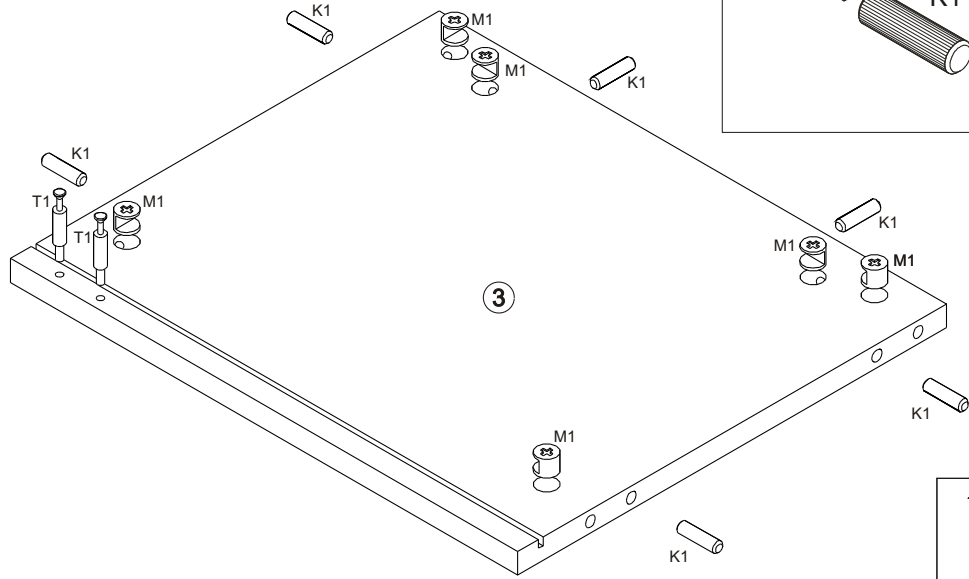
1 ▶



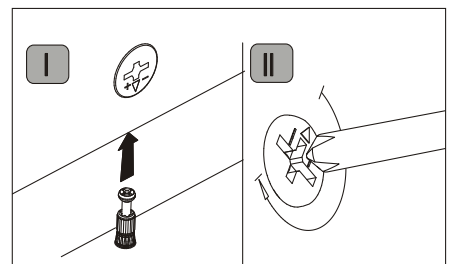
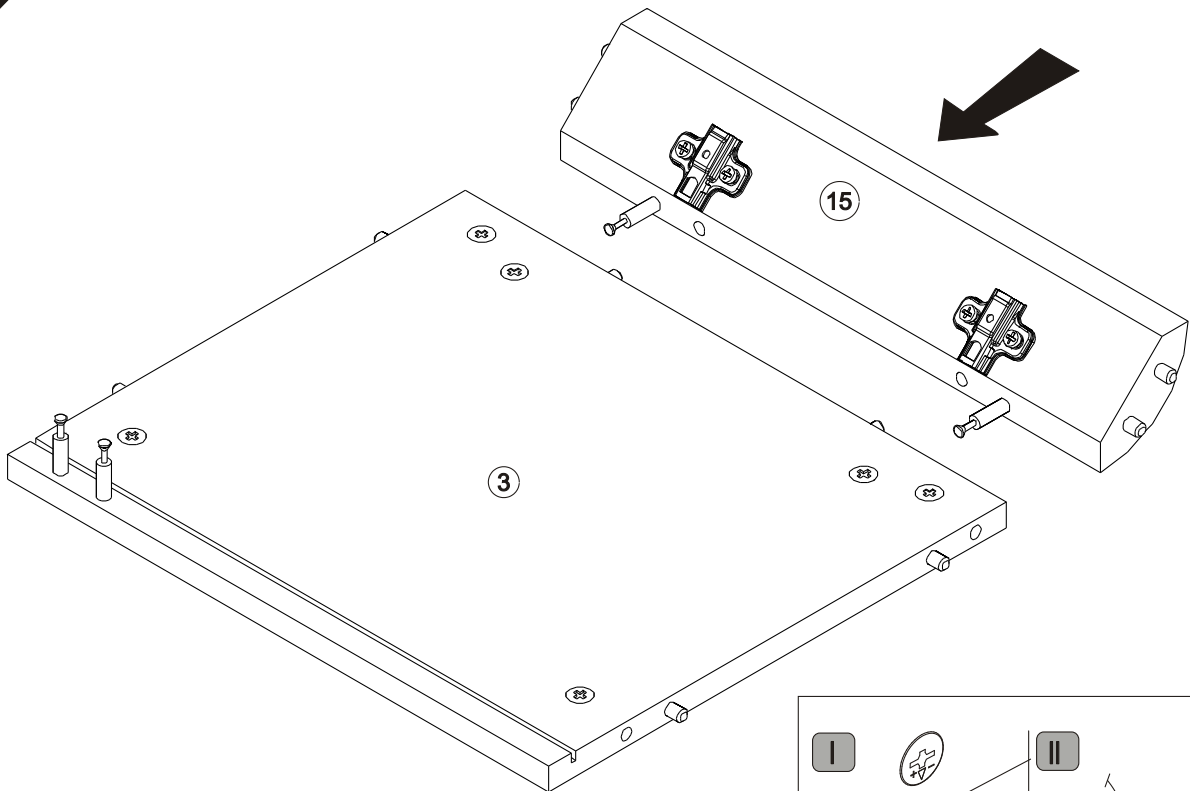
x2



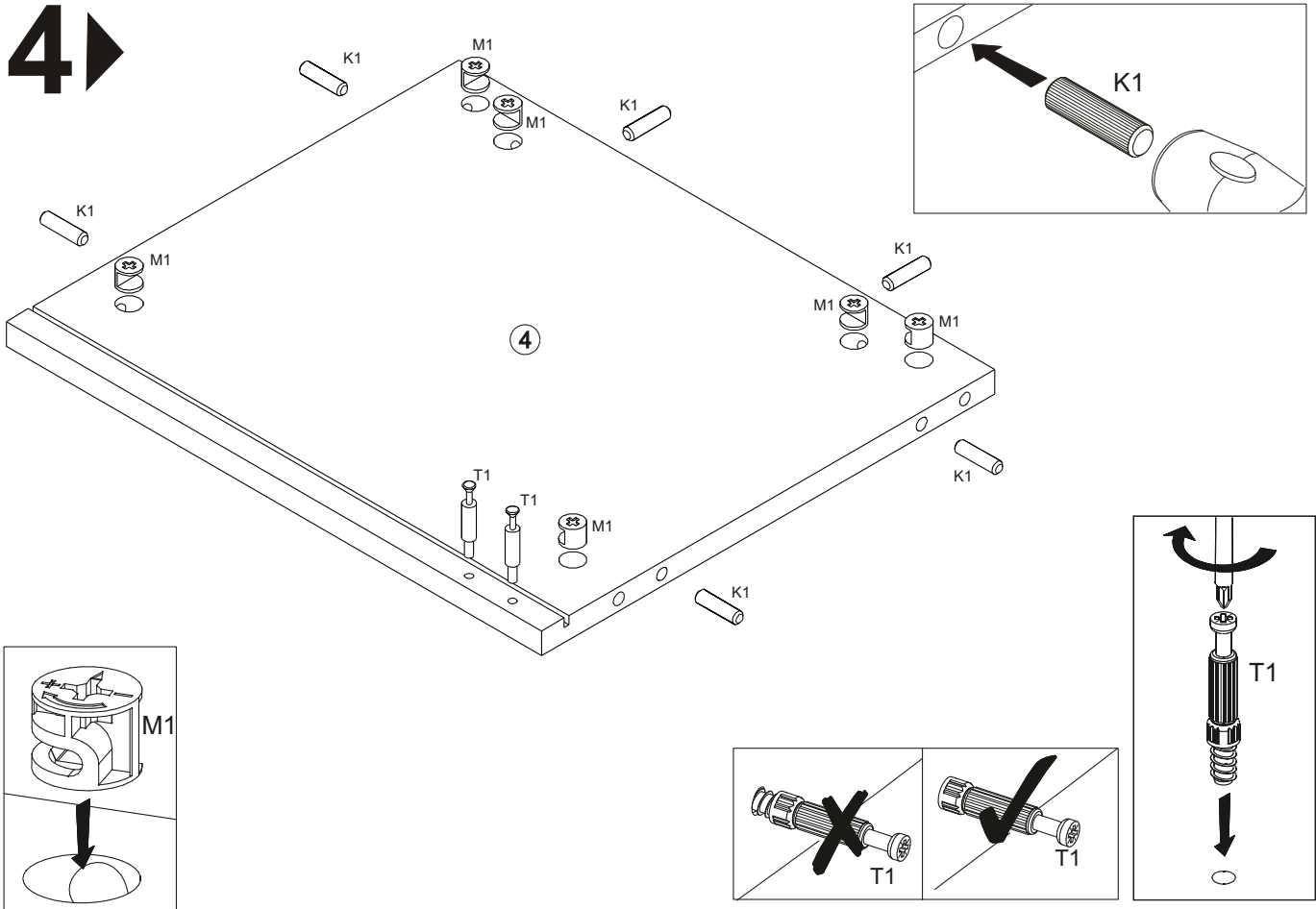
2 ▶



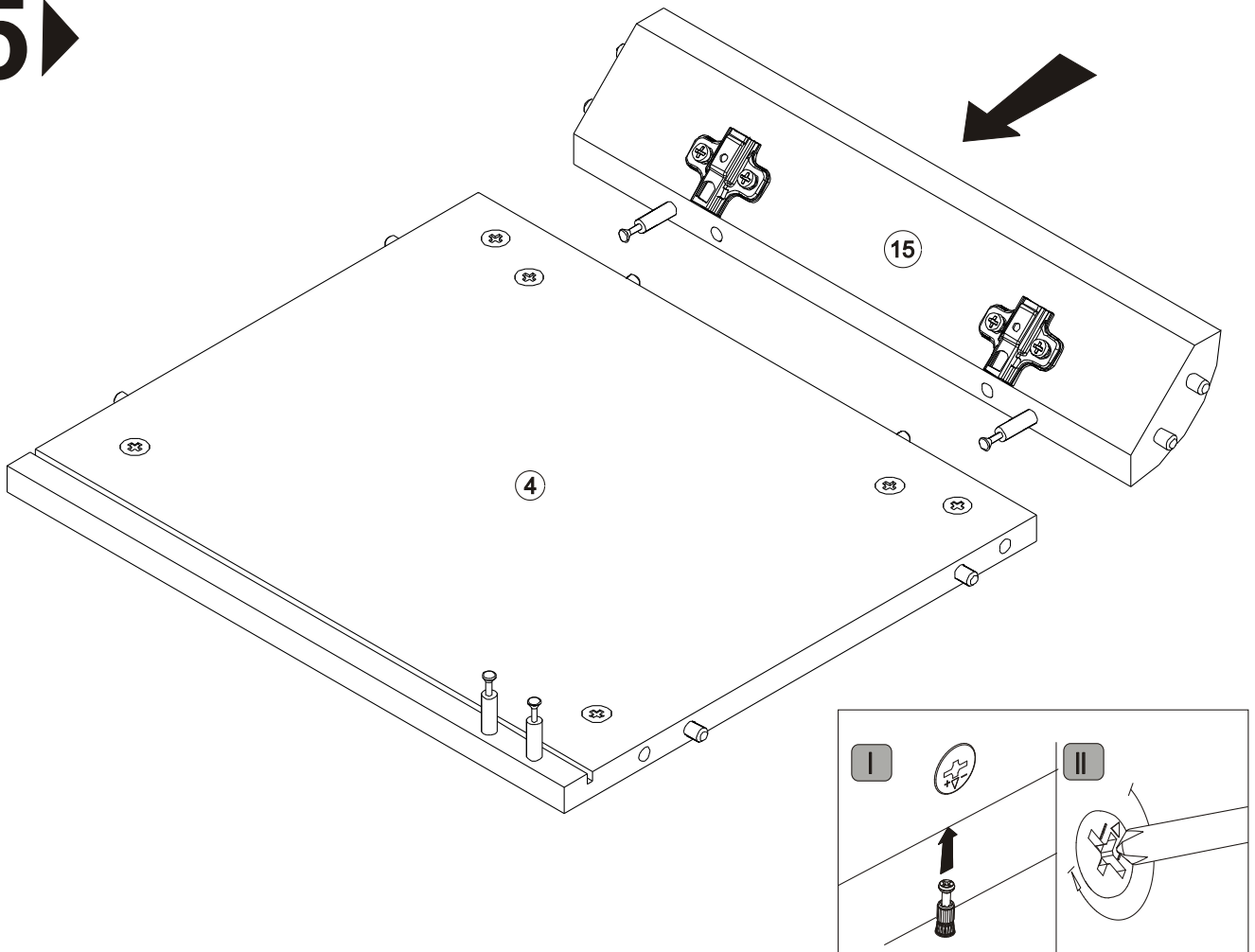
3 ▶



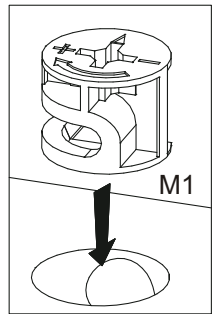
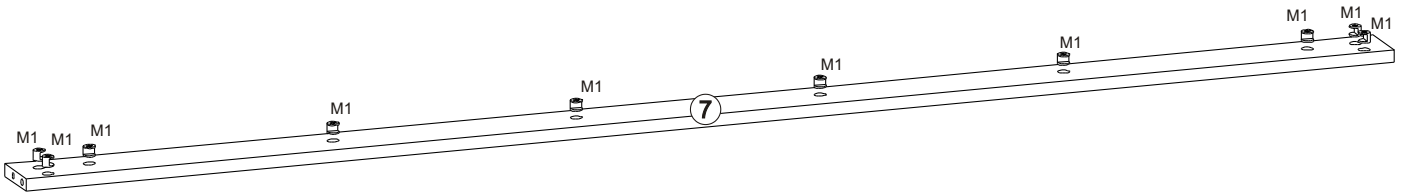
4



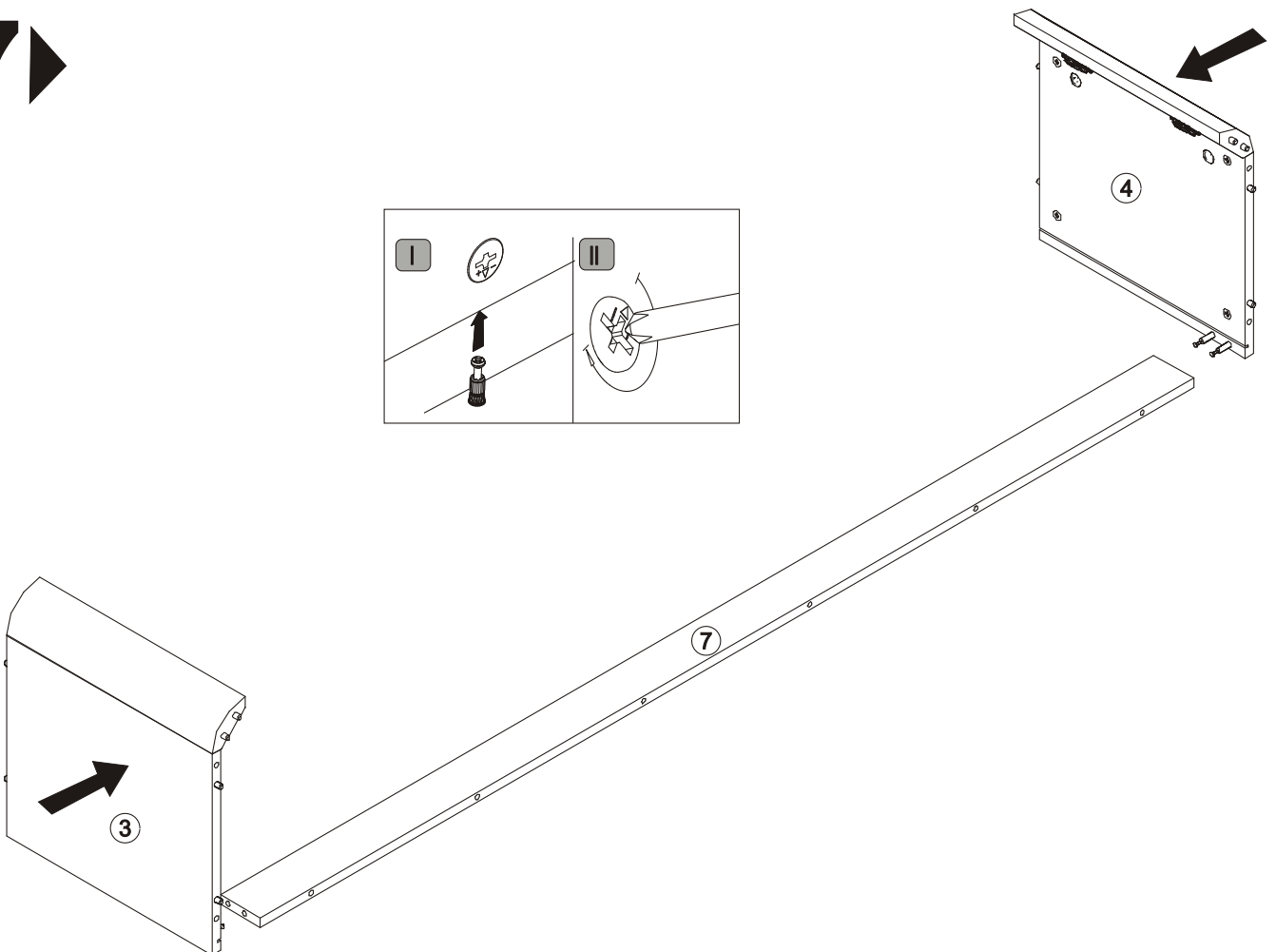
5



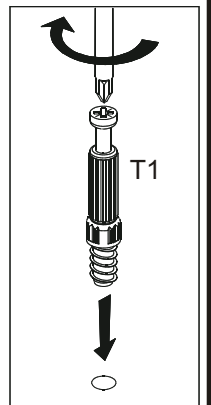
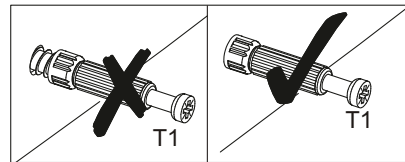
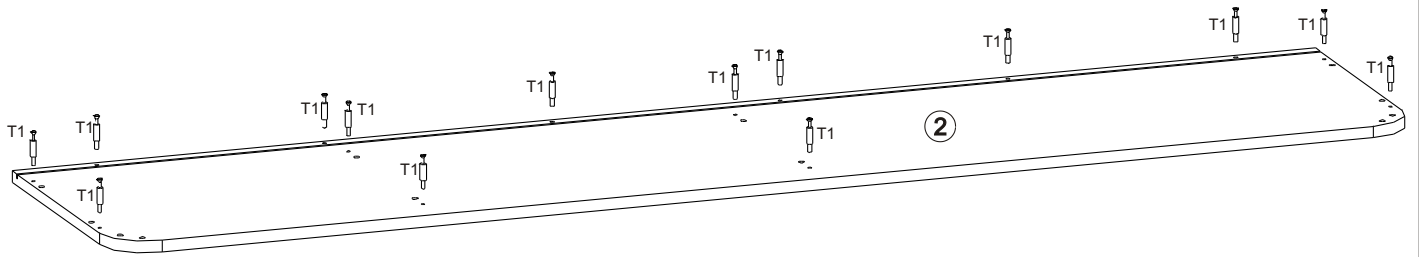
6▶



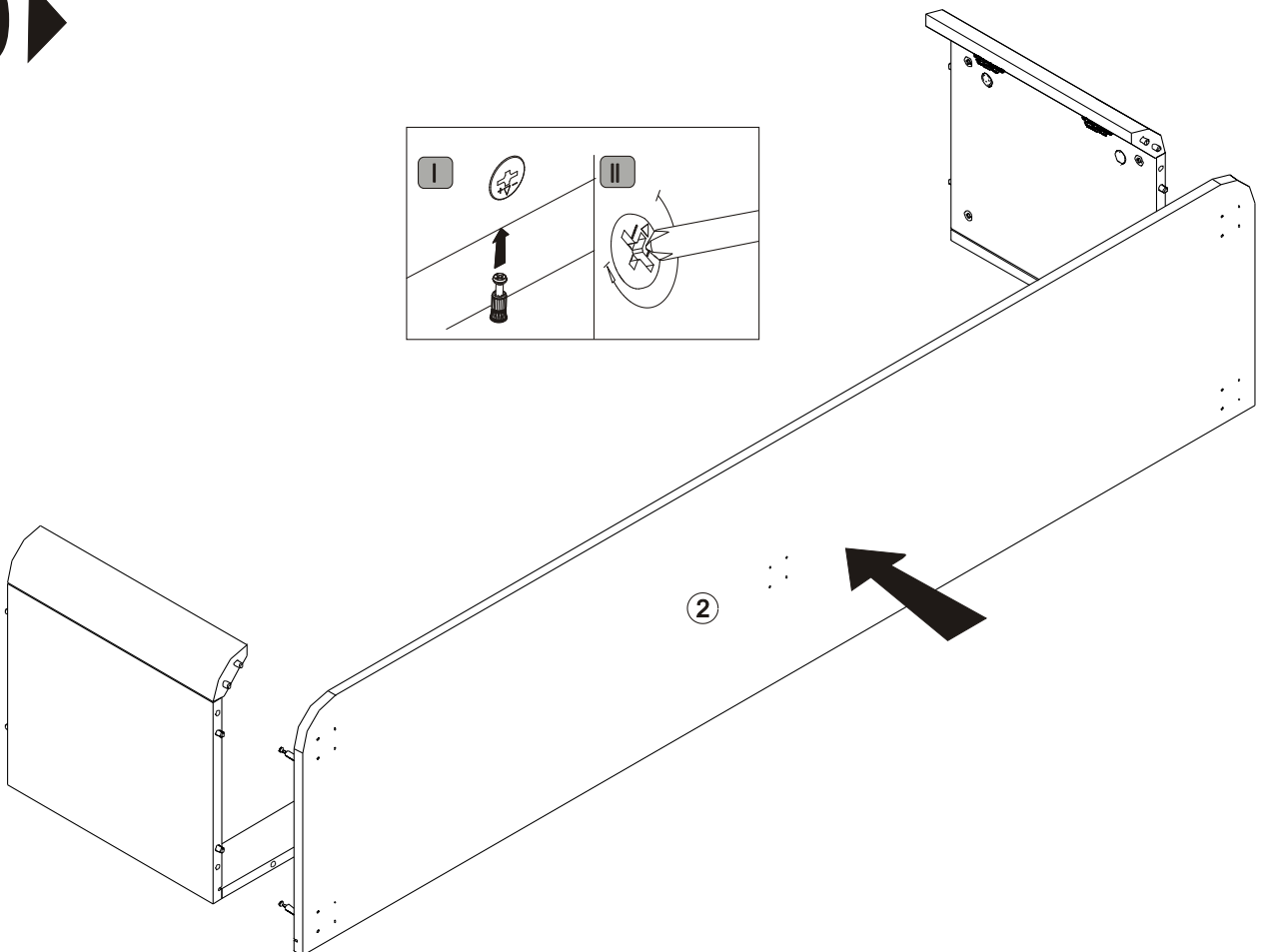
7▶



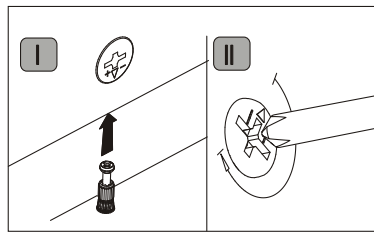
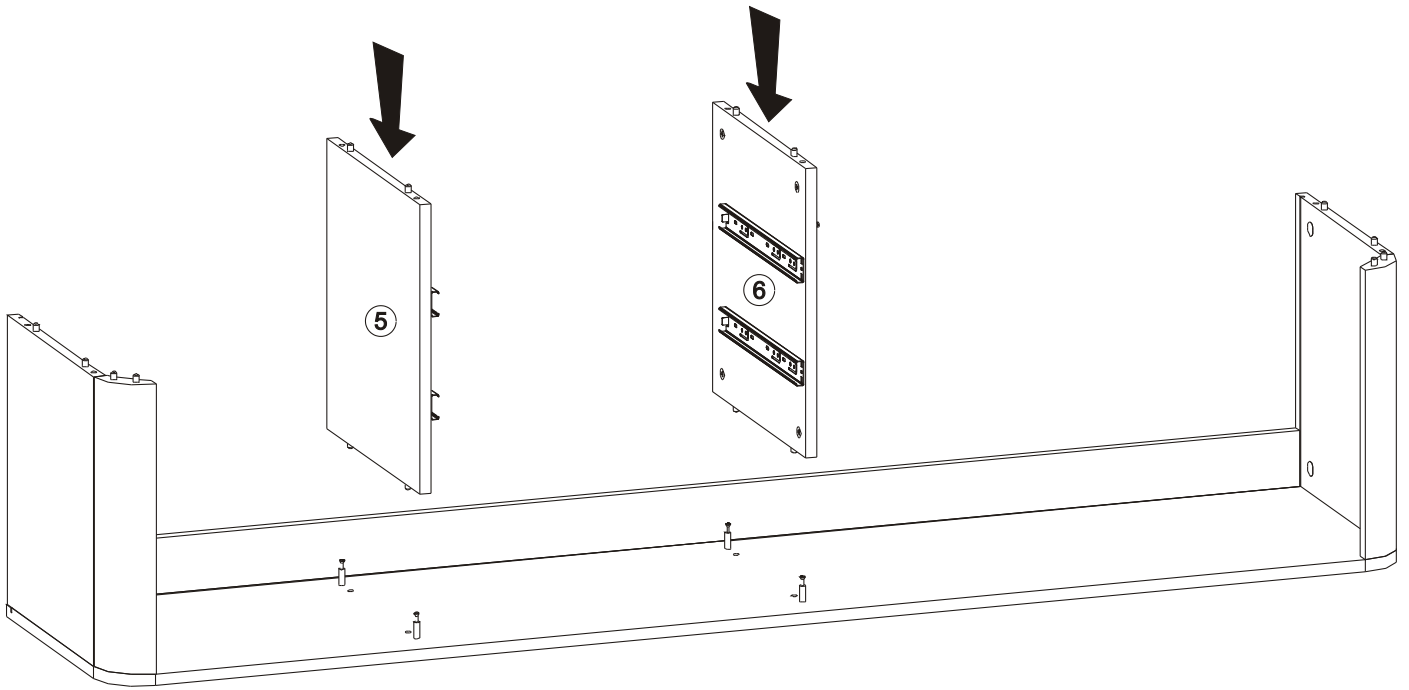
8 ▶



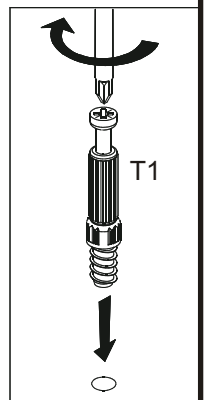
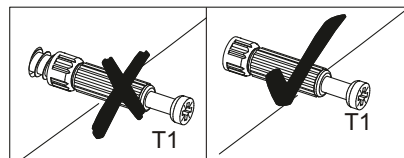
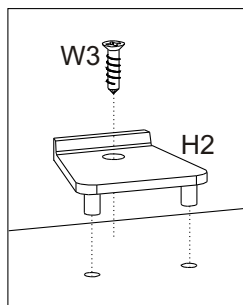
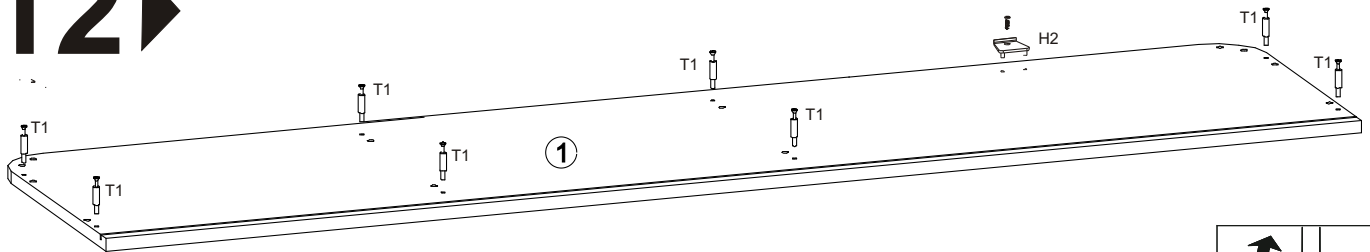
9 ▶



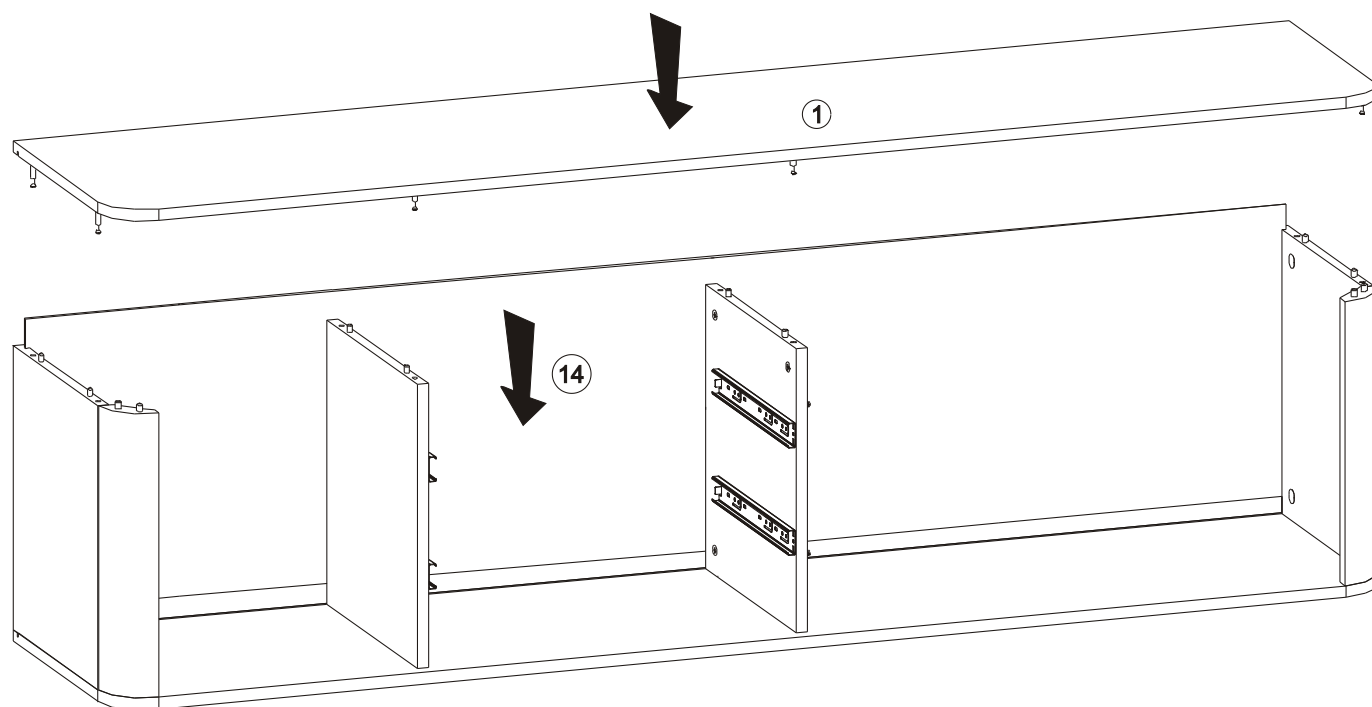
11▶



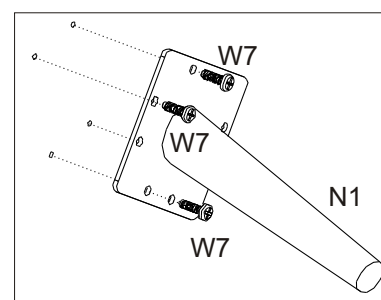
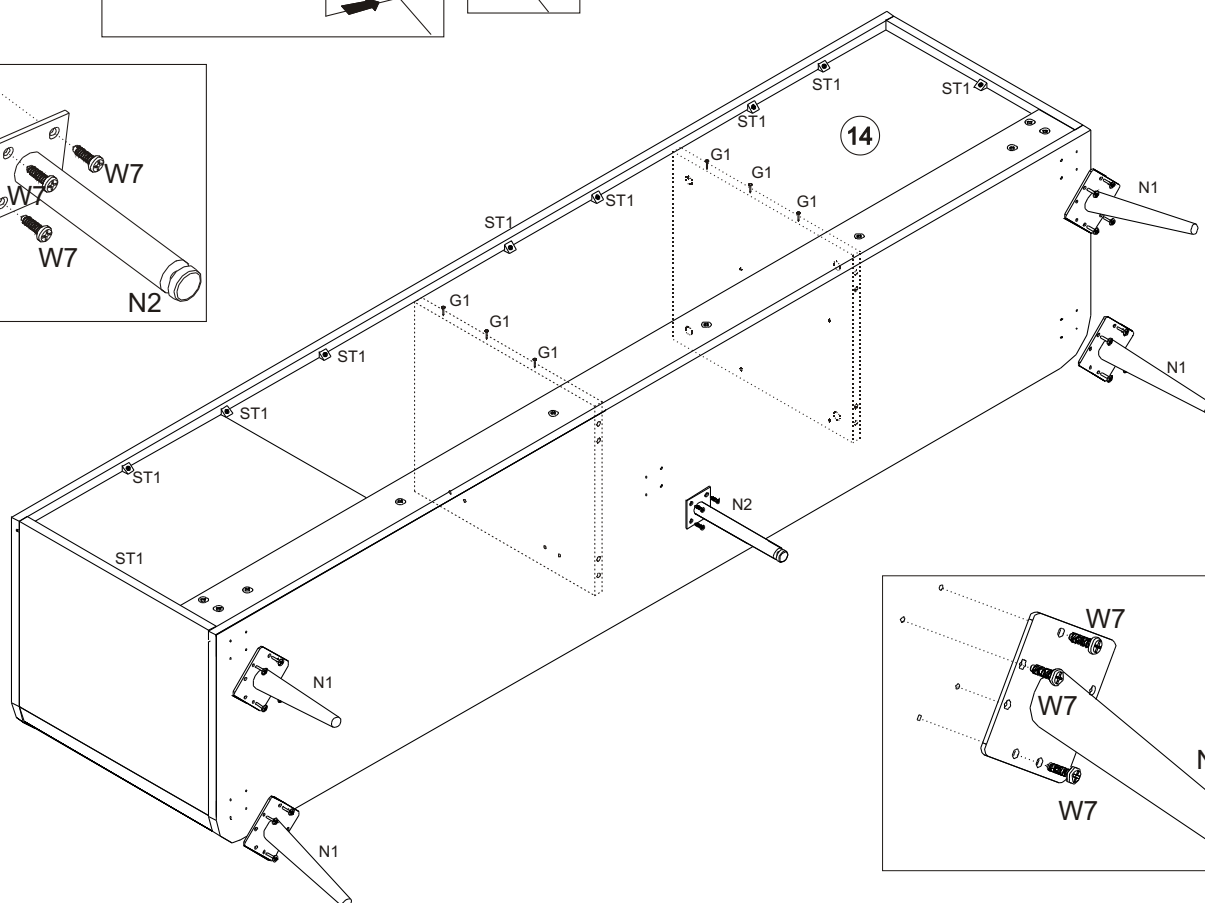
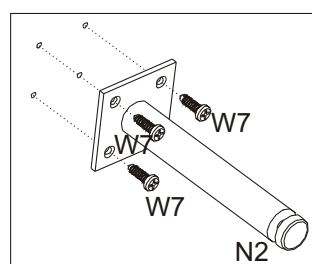
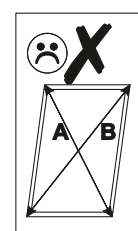
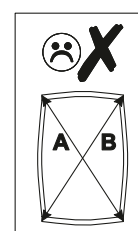
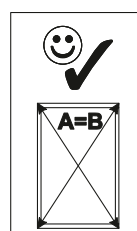
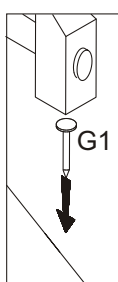
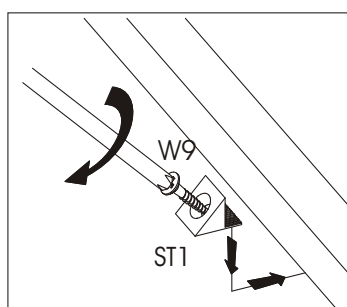
12▶



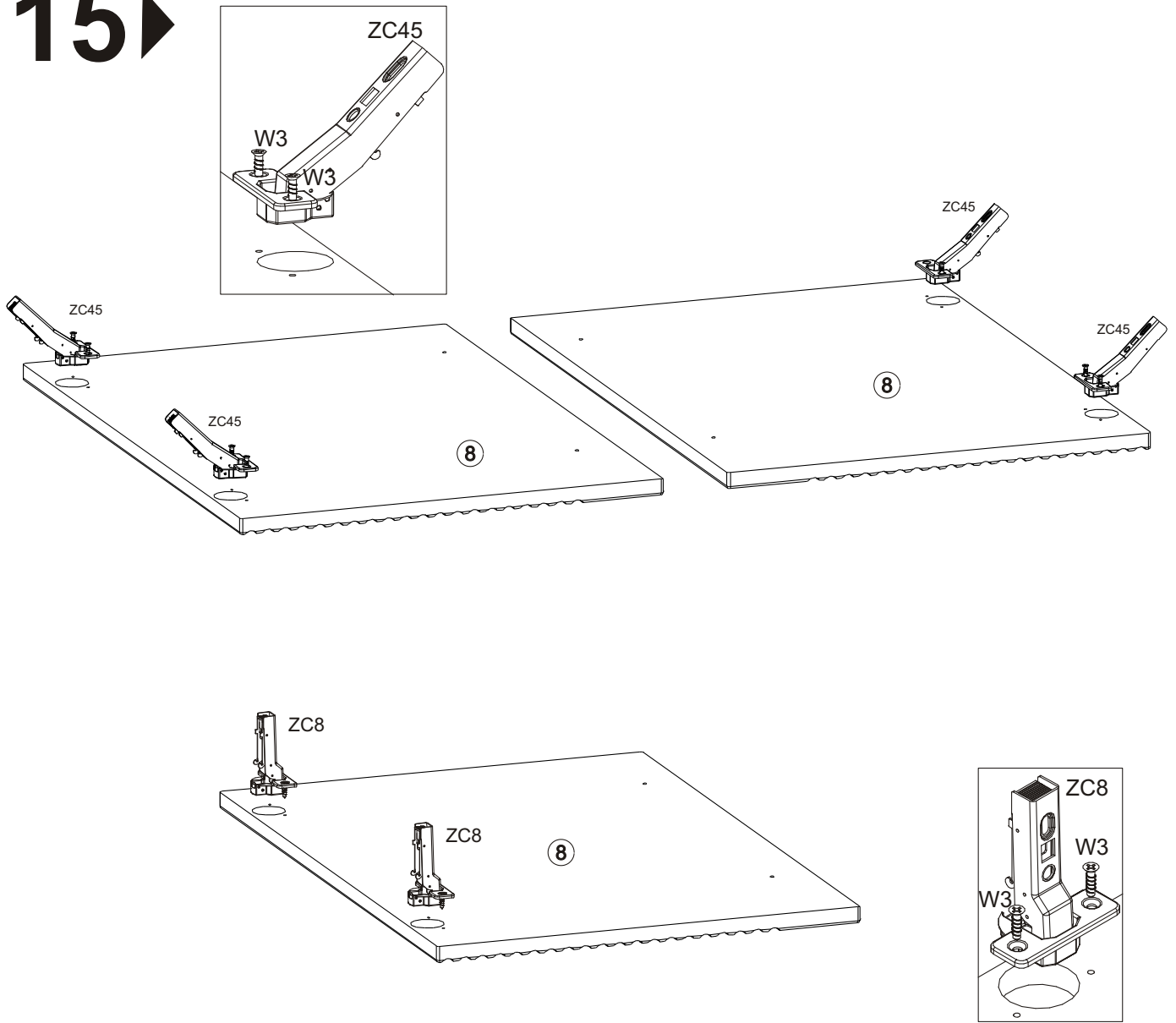
13▶



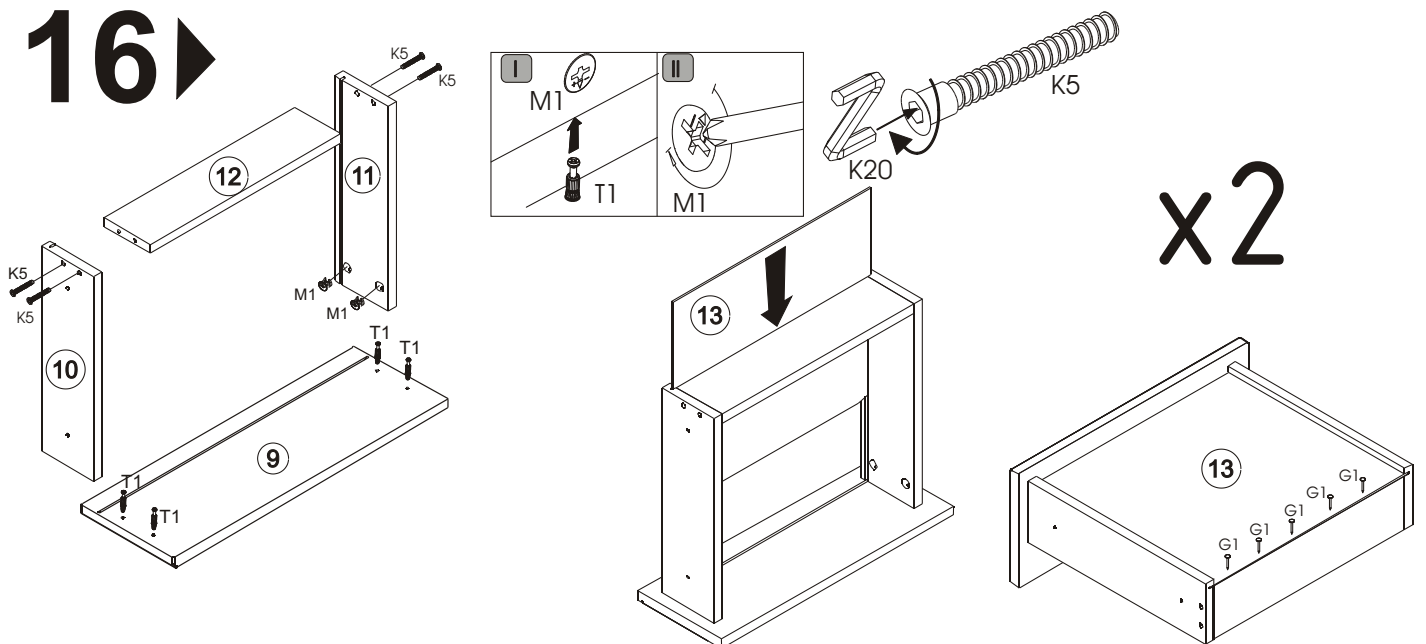
14▶



15 ▶



16 ▶



17

