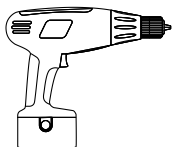
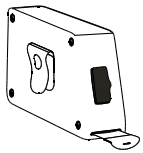
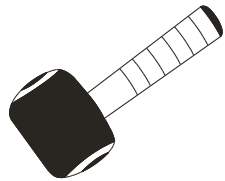
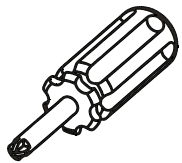
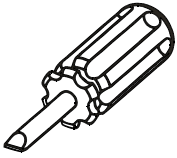


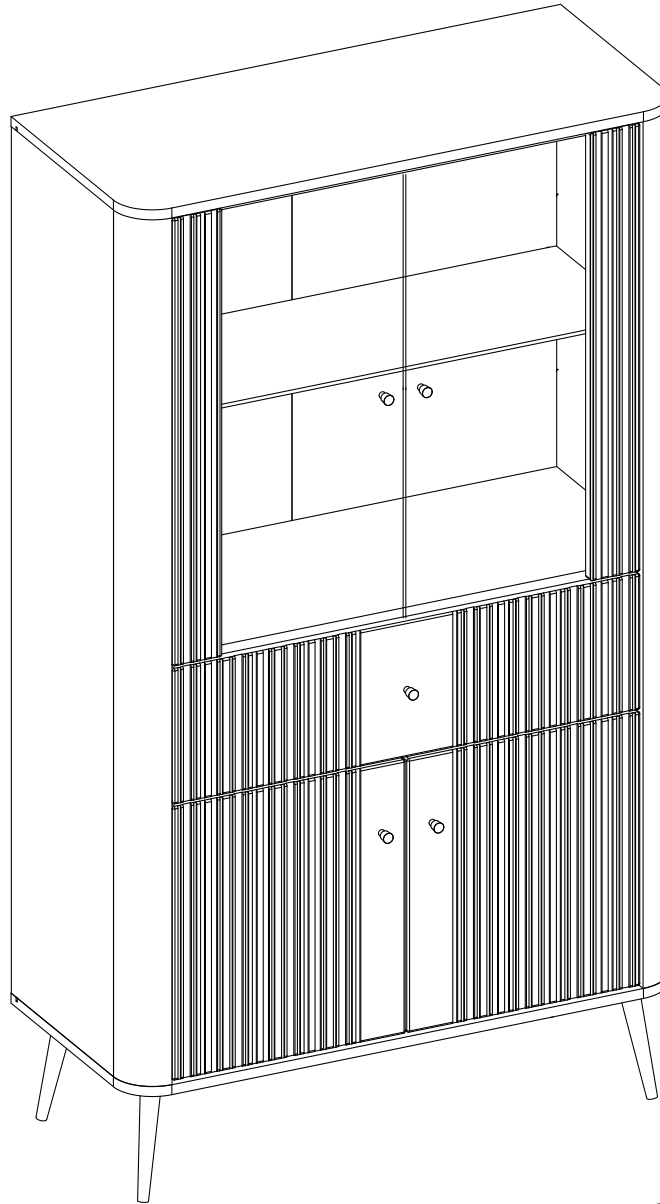
MODEL: V607



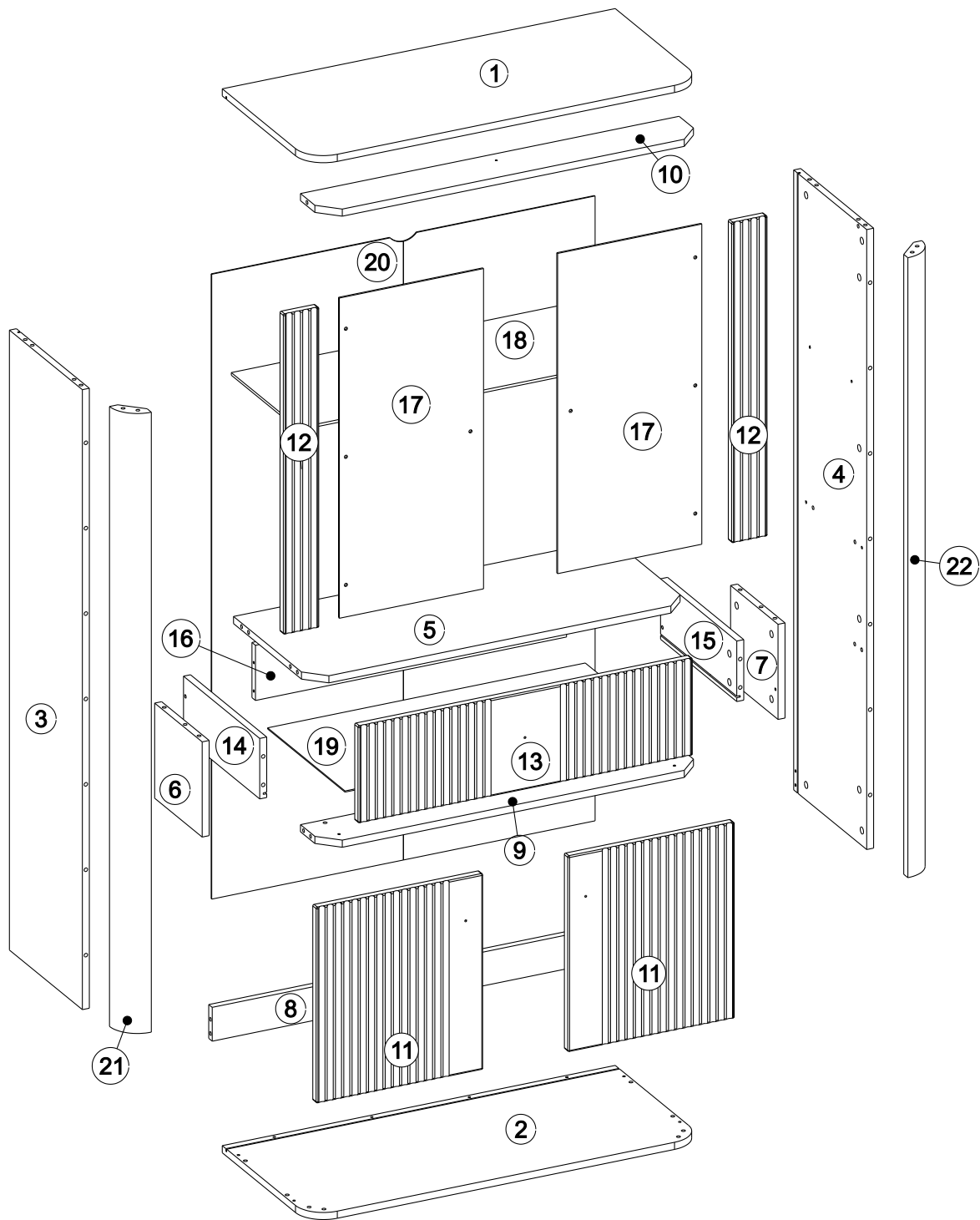
160,5

40

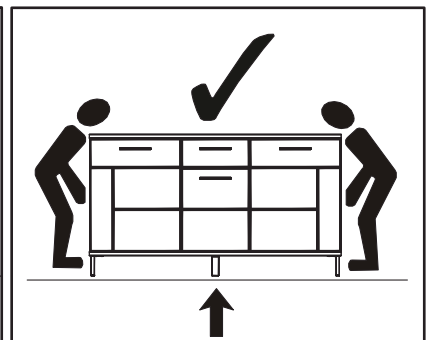
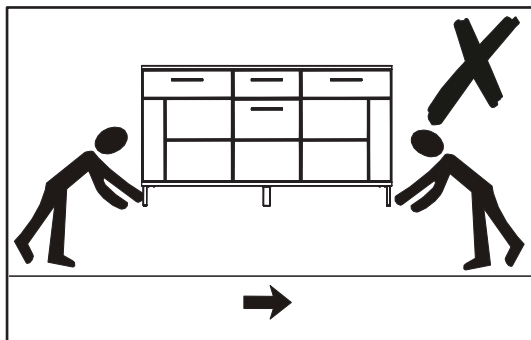
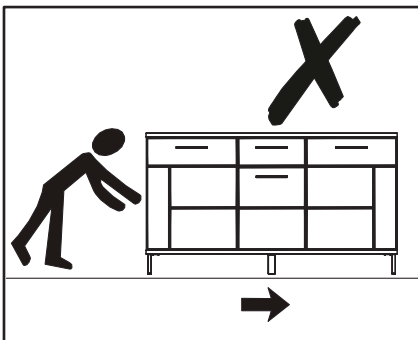
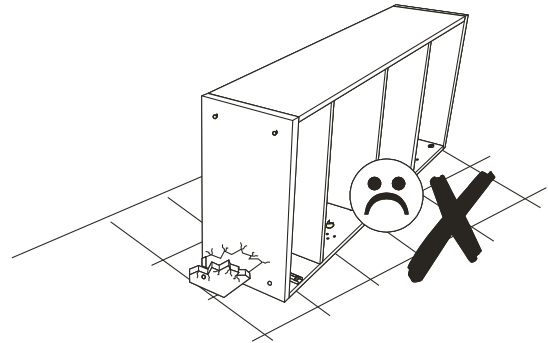
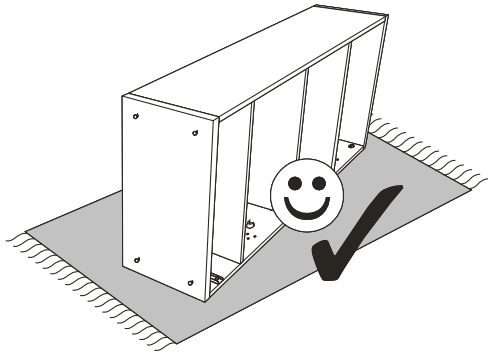
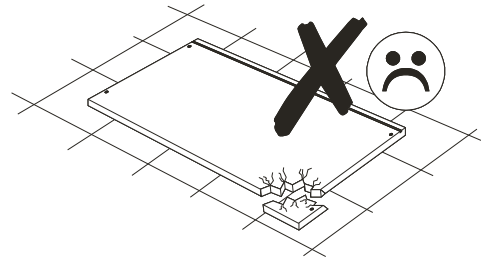
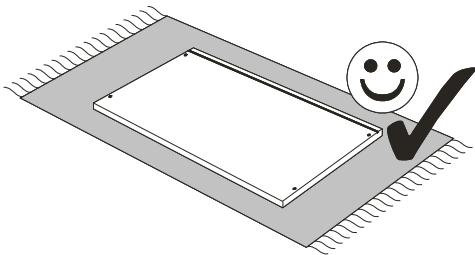
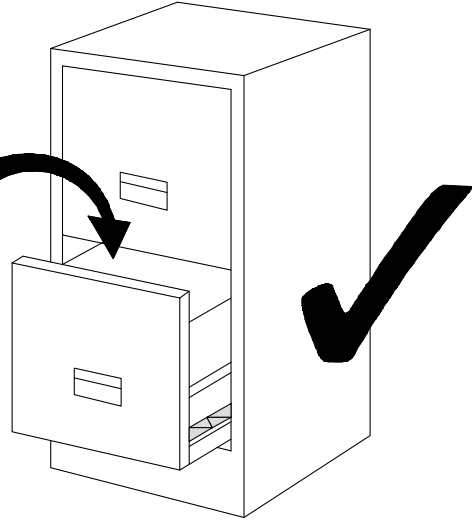
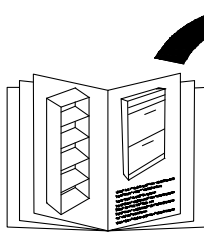
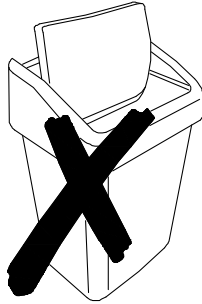
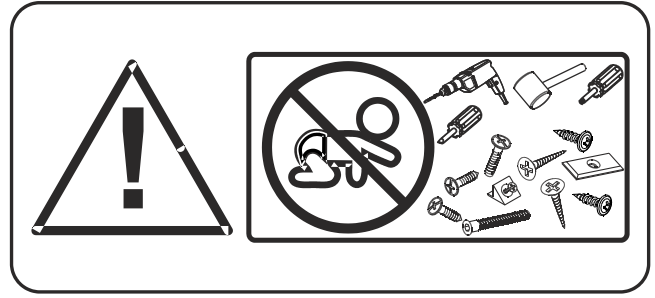
90

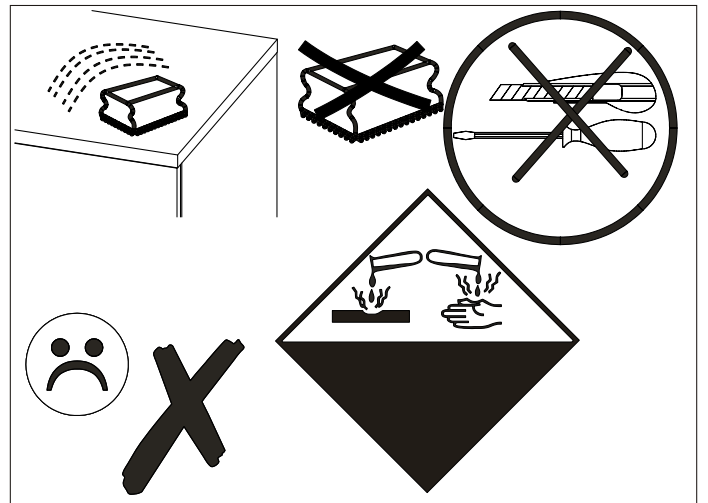
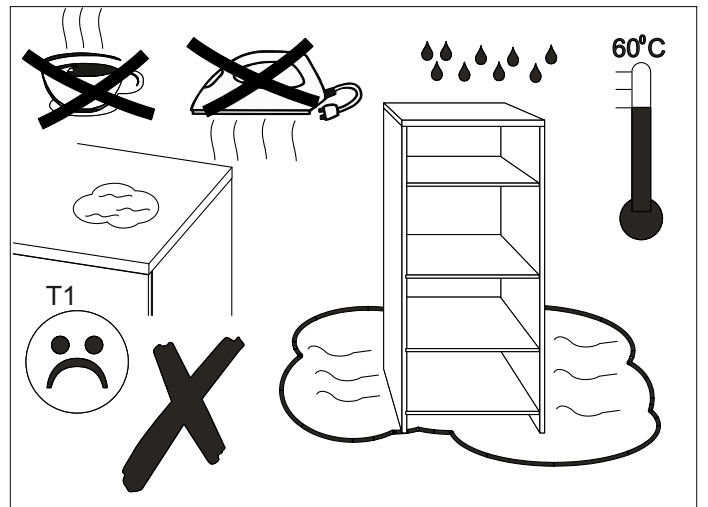
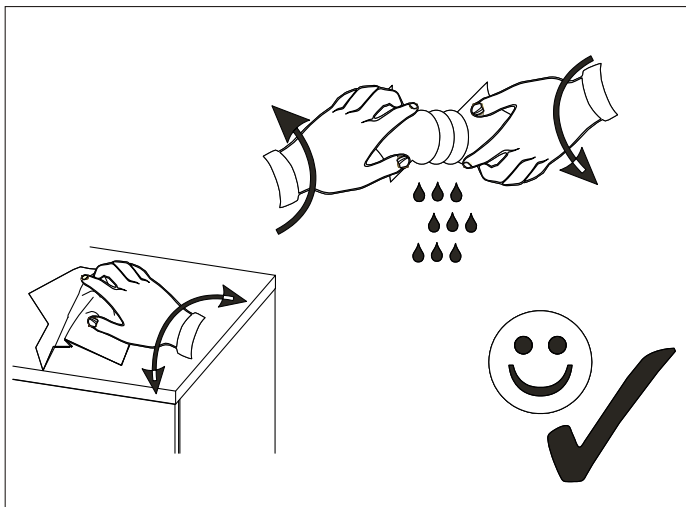
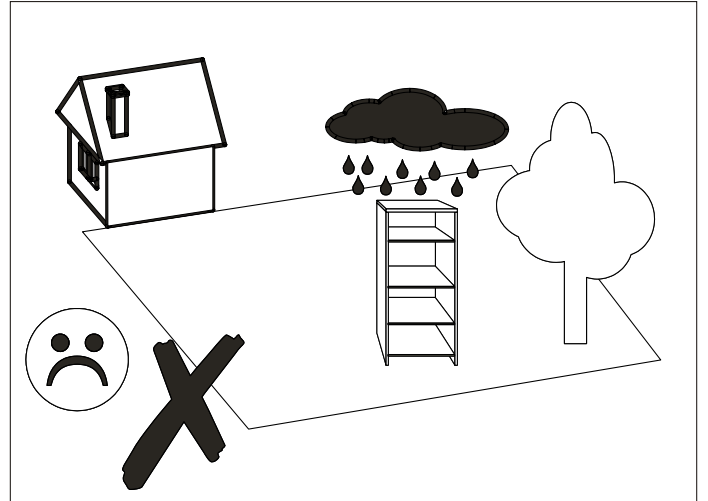
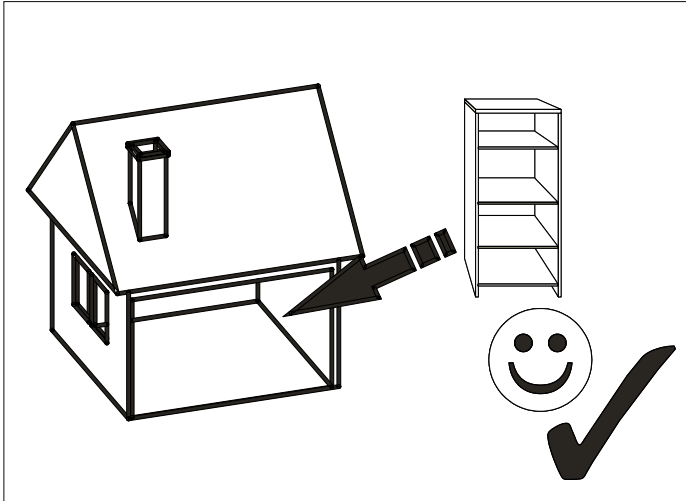


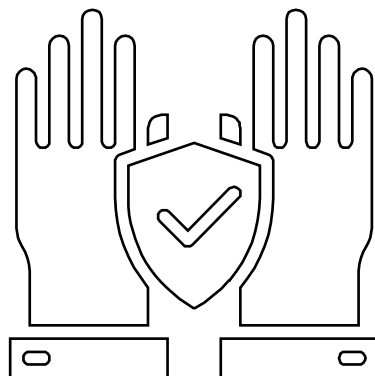
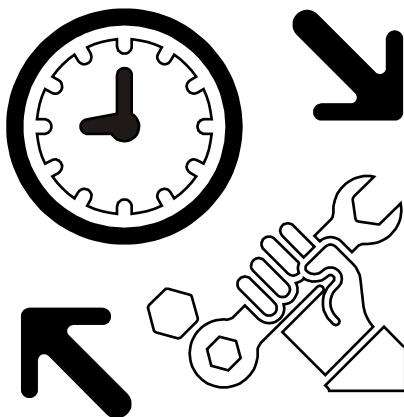
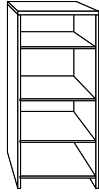
8x ZC45	16x 3.5x13 W3	6x 4x16 WP4	4x B2	8x TU1	1x 4x30 W4	2x 1,5mm O2	2x M4x10 S5	
1x L1	2x 4mm O1	12x ST1	1 kpl #300 PK3	3x M4x24 S4	12x 3x20 W9	4x N1	1x #14/042 ZN1	18x #20/042 ZN1
4x 6.4x50 K5	32x 8x30 K1	5x U1	1x K20	38x #15/15 M1	38x DU232T T1	16x 4,5x16 W7	13x 2x20 G1	8x 5x11 E1



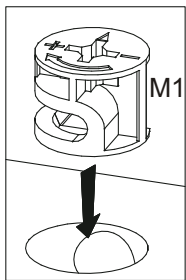
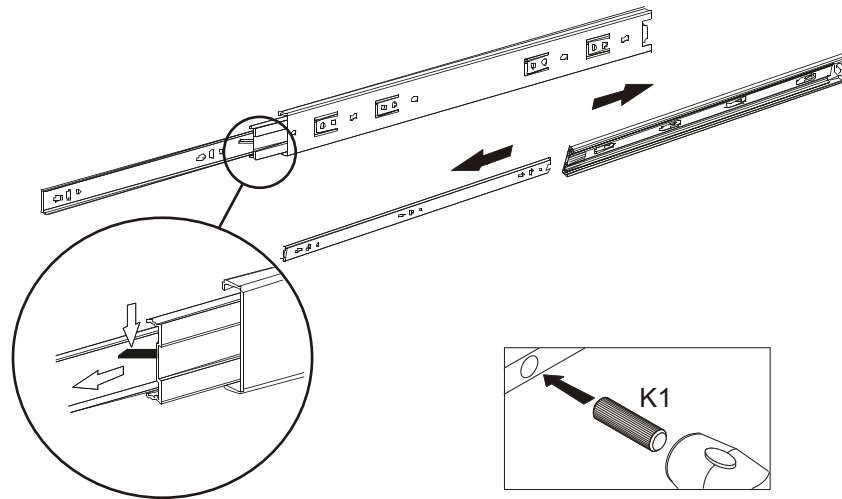
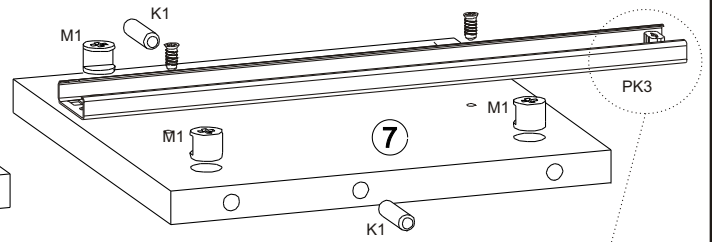
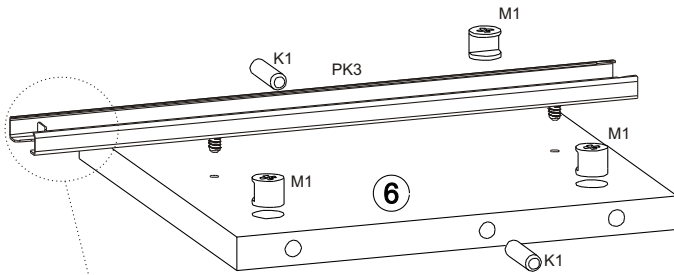
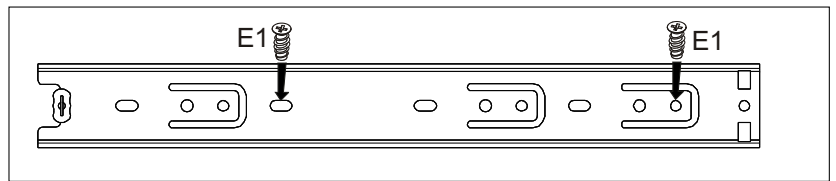
11	382x440	3/4	22	1394x90.5	2/4
10	869x108	1/4	21	1394x90.5	2/4
9	869x108	1/4	20	1405x880	2/4
8	869x76	1/4	19	336x712	2/4
7	214x218	2/4	18	868x290	2/4
6	214x218	2/4	17	720x331	2/4
5	869x354	1/4	16	697x124	2/4
4	1394x335.5	2/4	15	330x136	2/4
3	1394x335.5	2/4	14	330x136	2/4
2	902x400	1/4	13	767x218	3/4
1	902x400	1/4	12	720x81	3/4



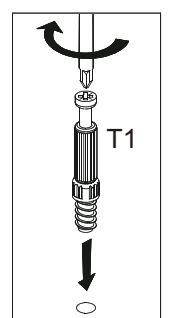
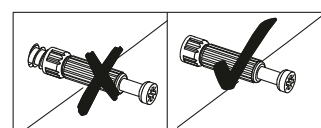
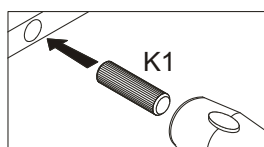
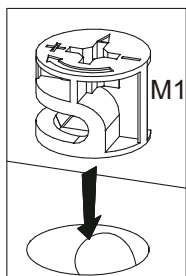
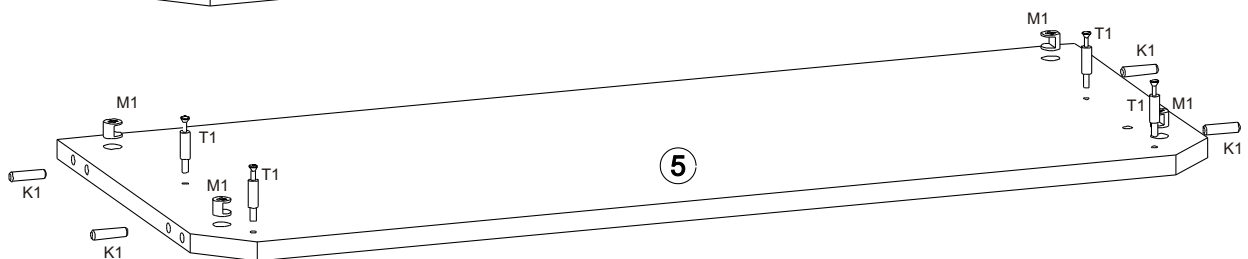
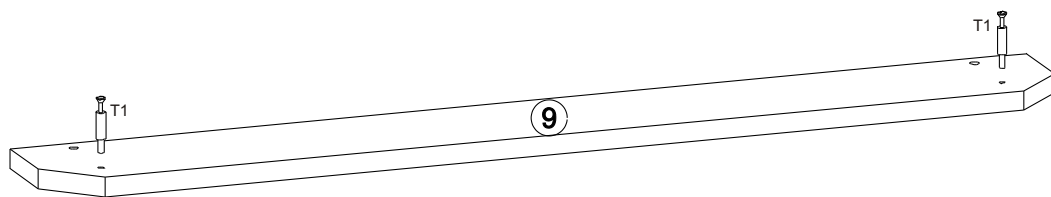




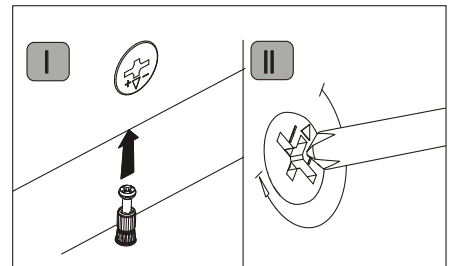
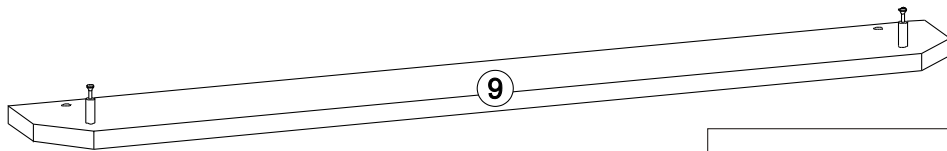
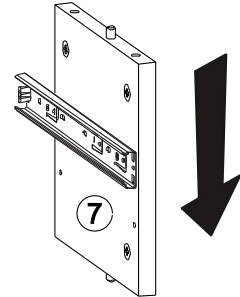
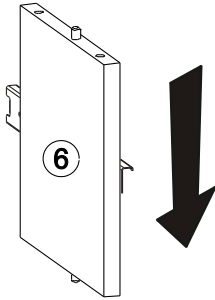
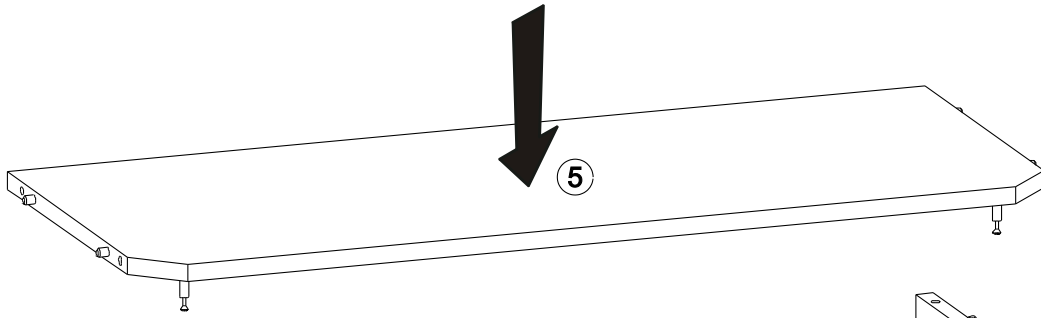
1



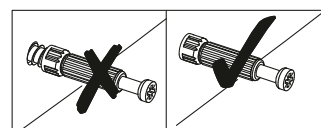
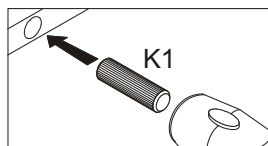
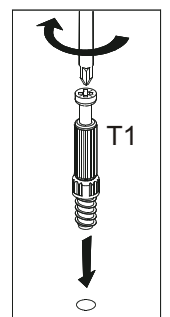
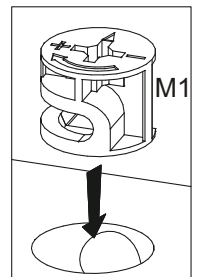
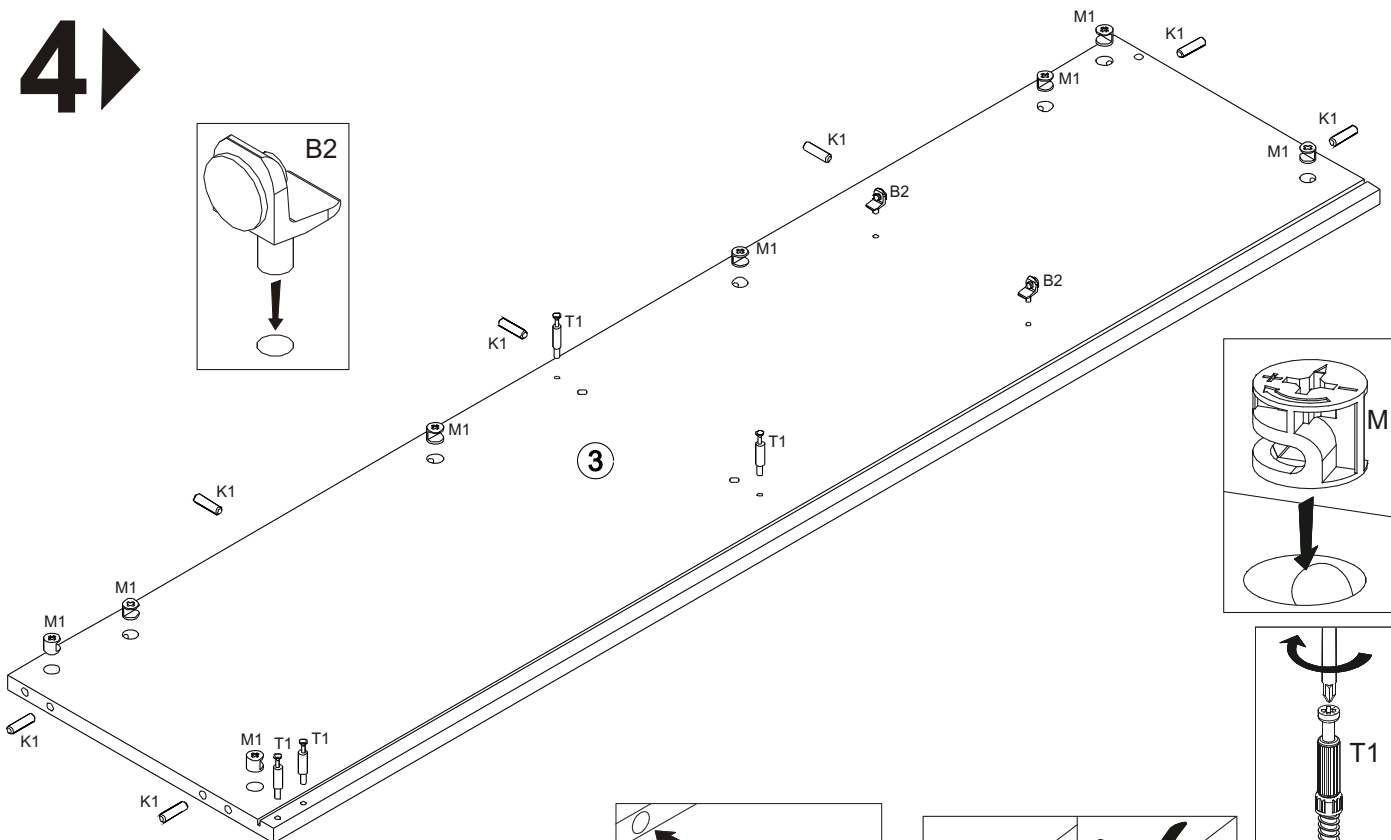
2



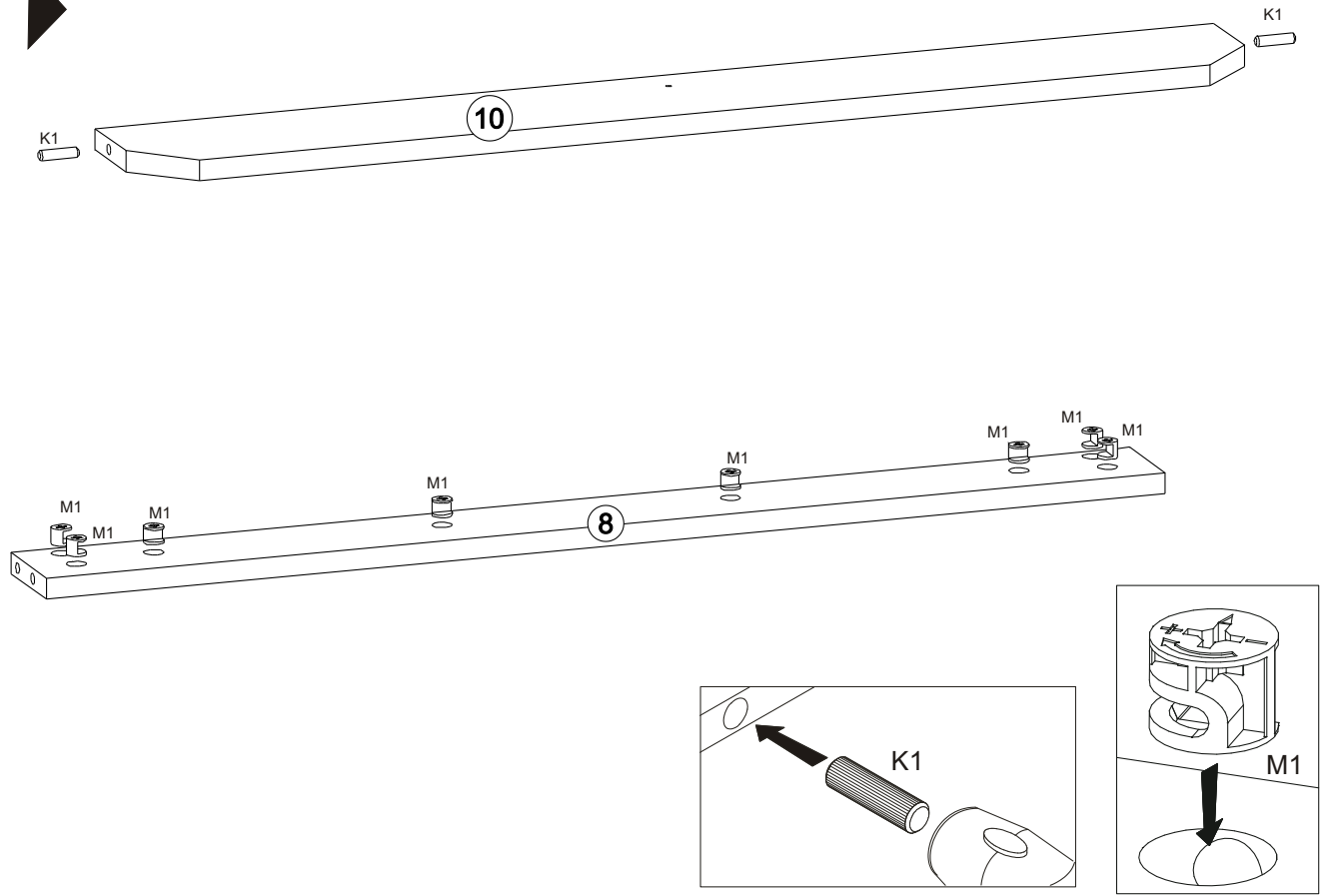
3 ▶



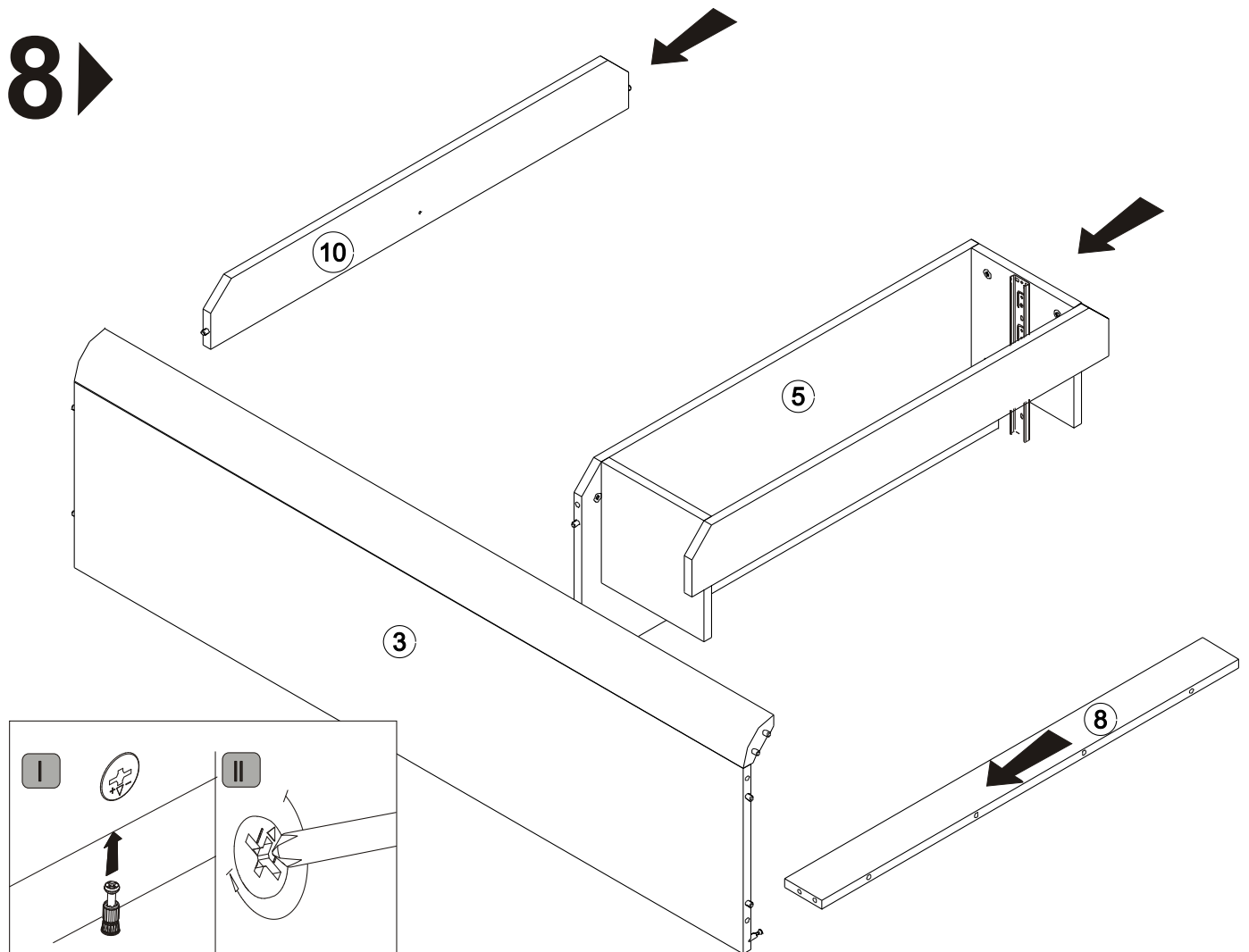
4 ▶



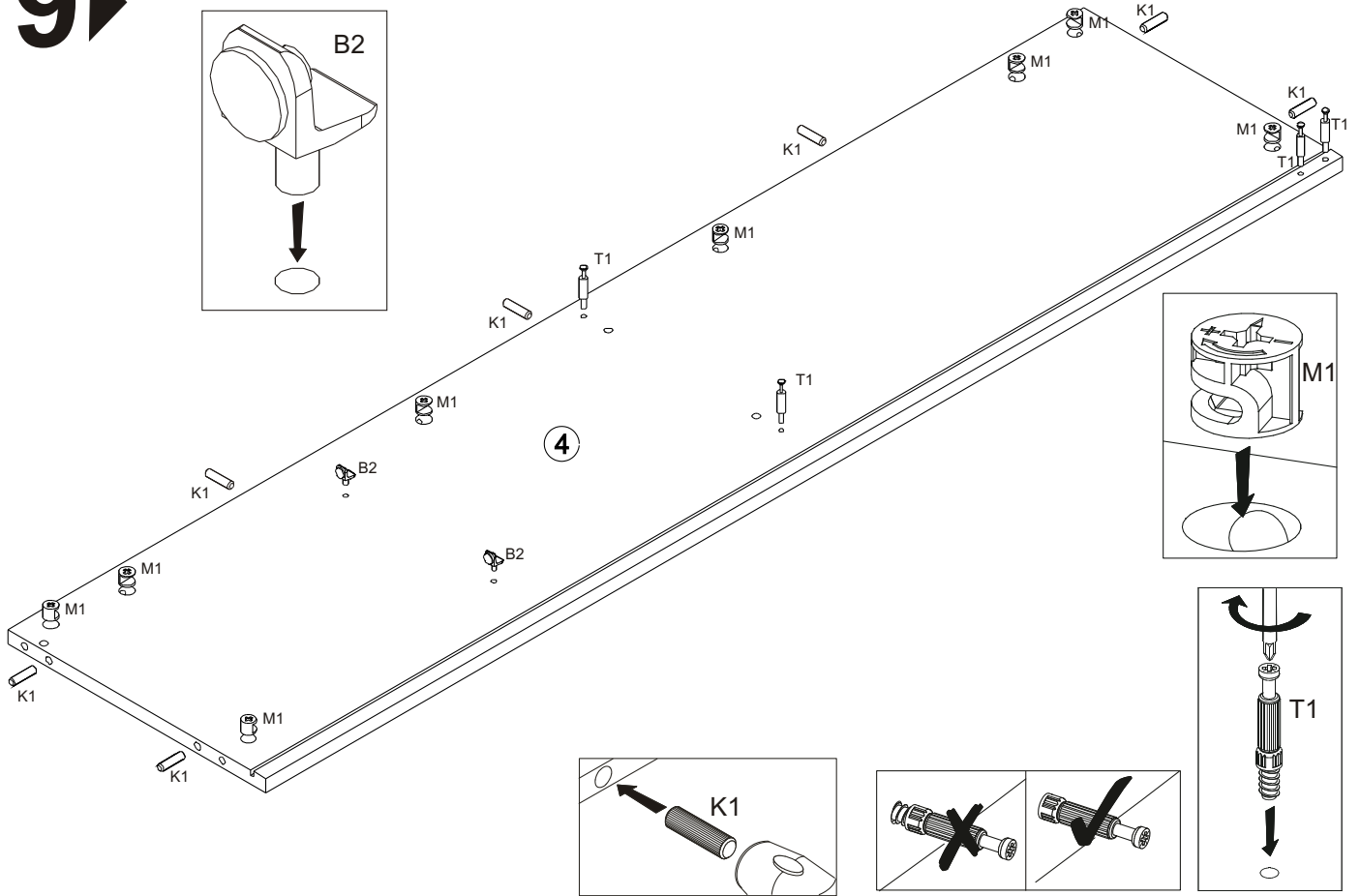
7 ▶



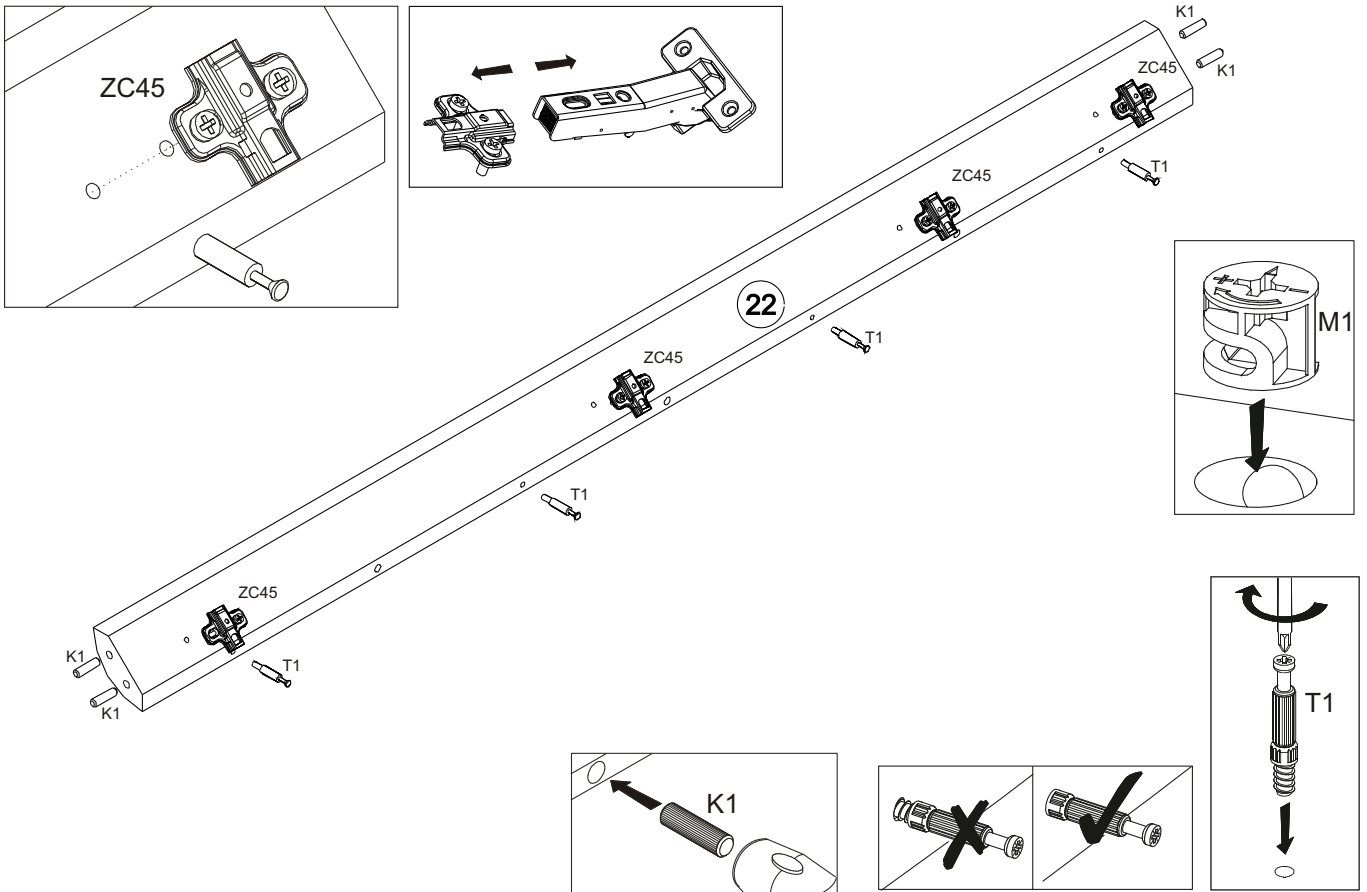
8 ▶



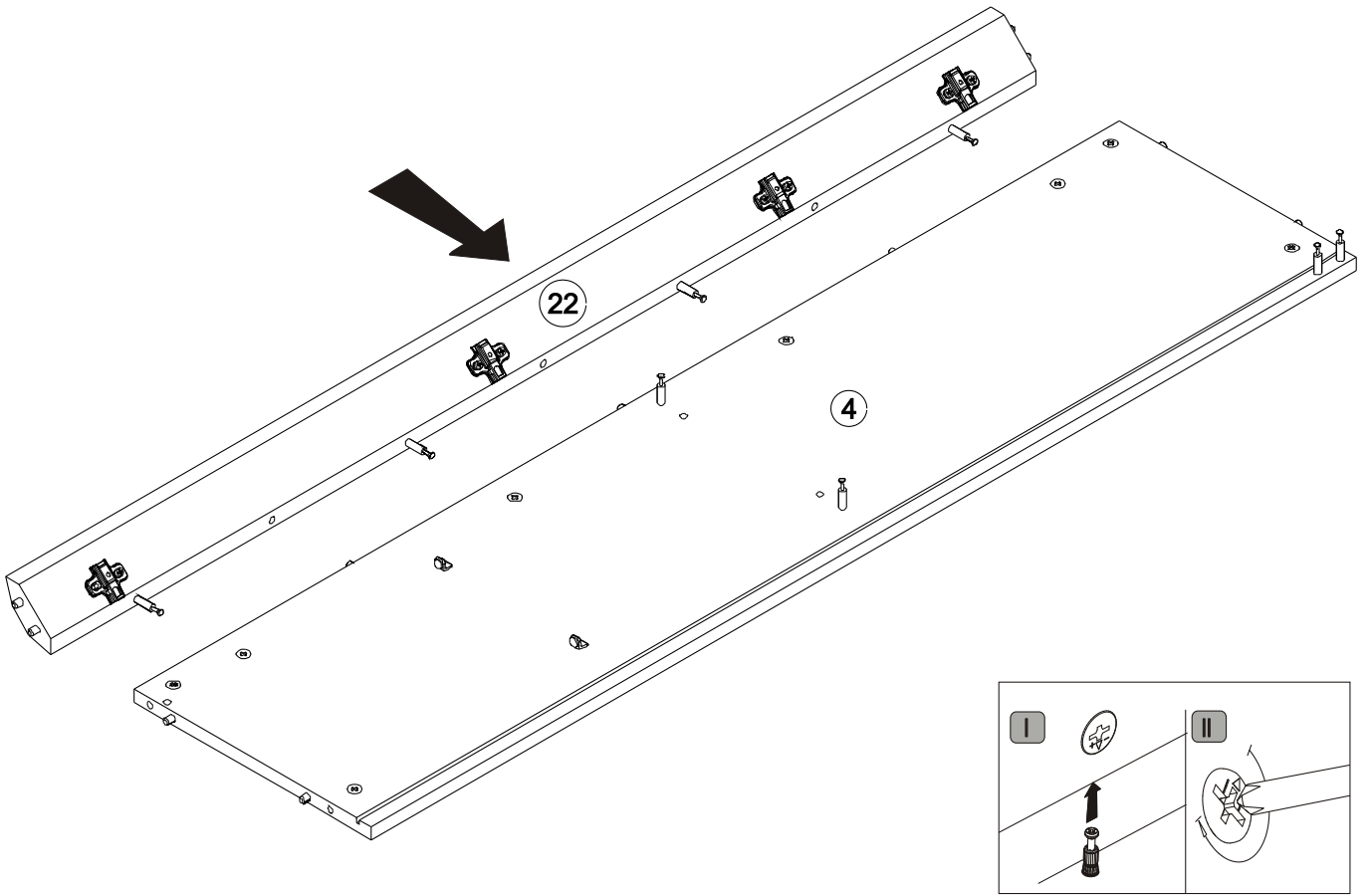
9▶



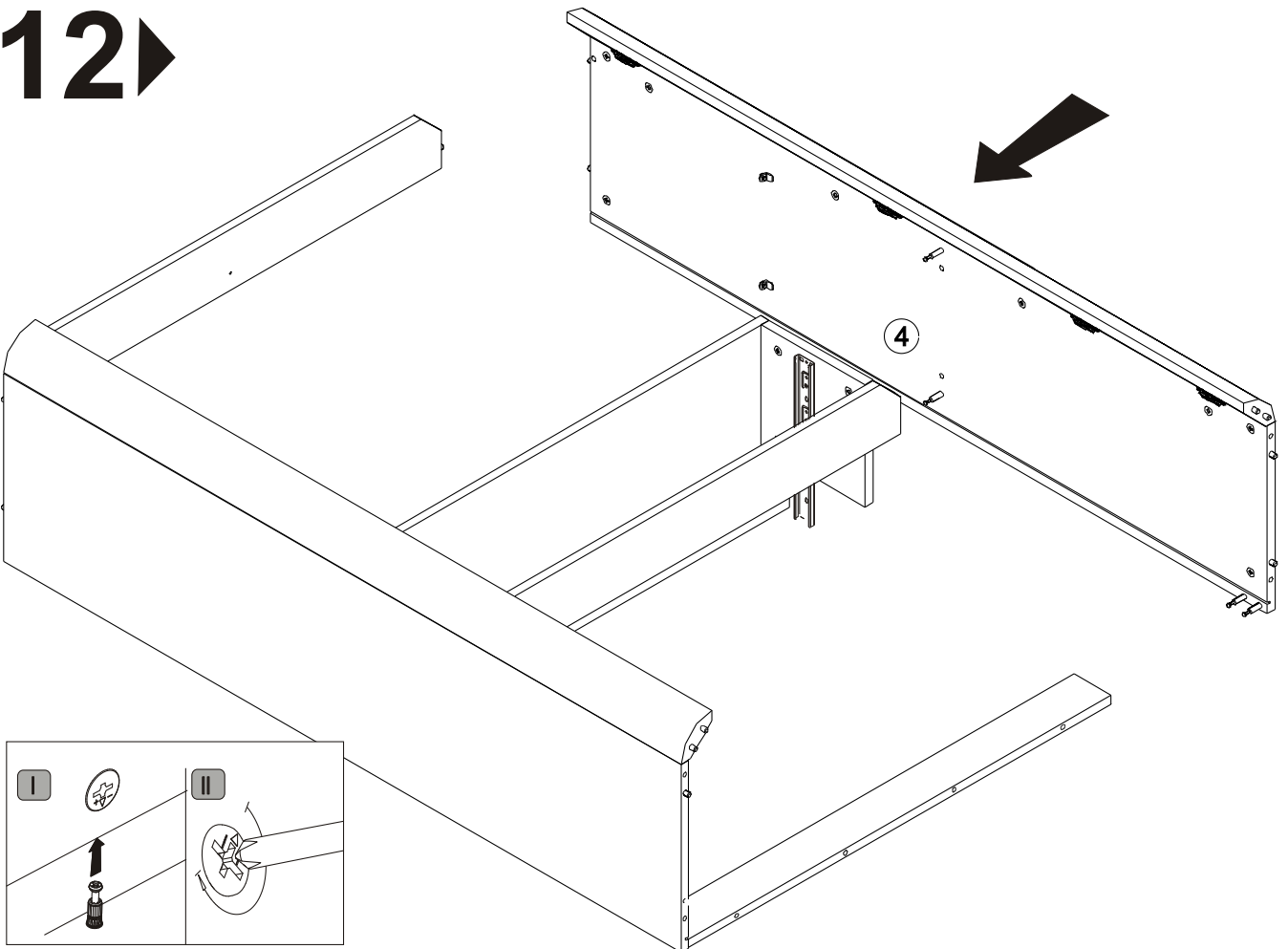
10▶



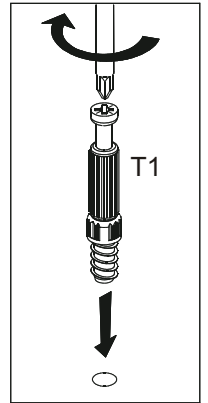
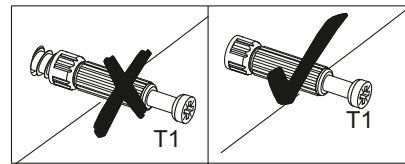
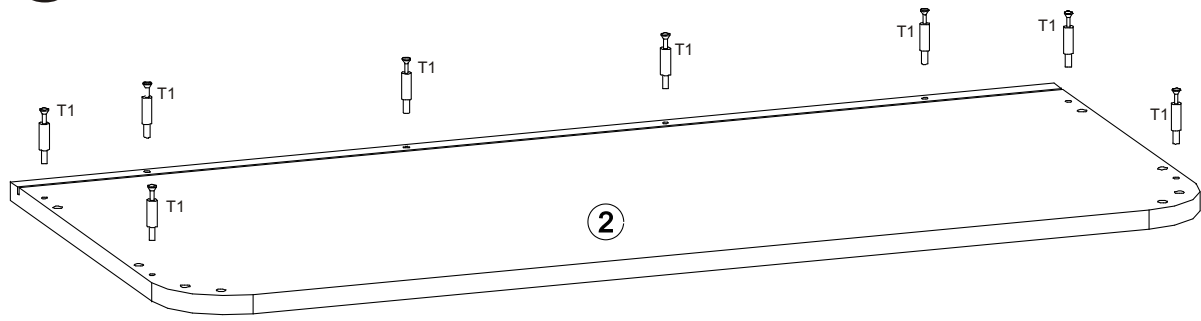
11▶



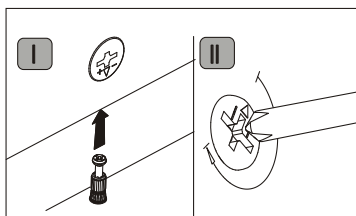
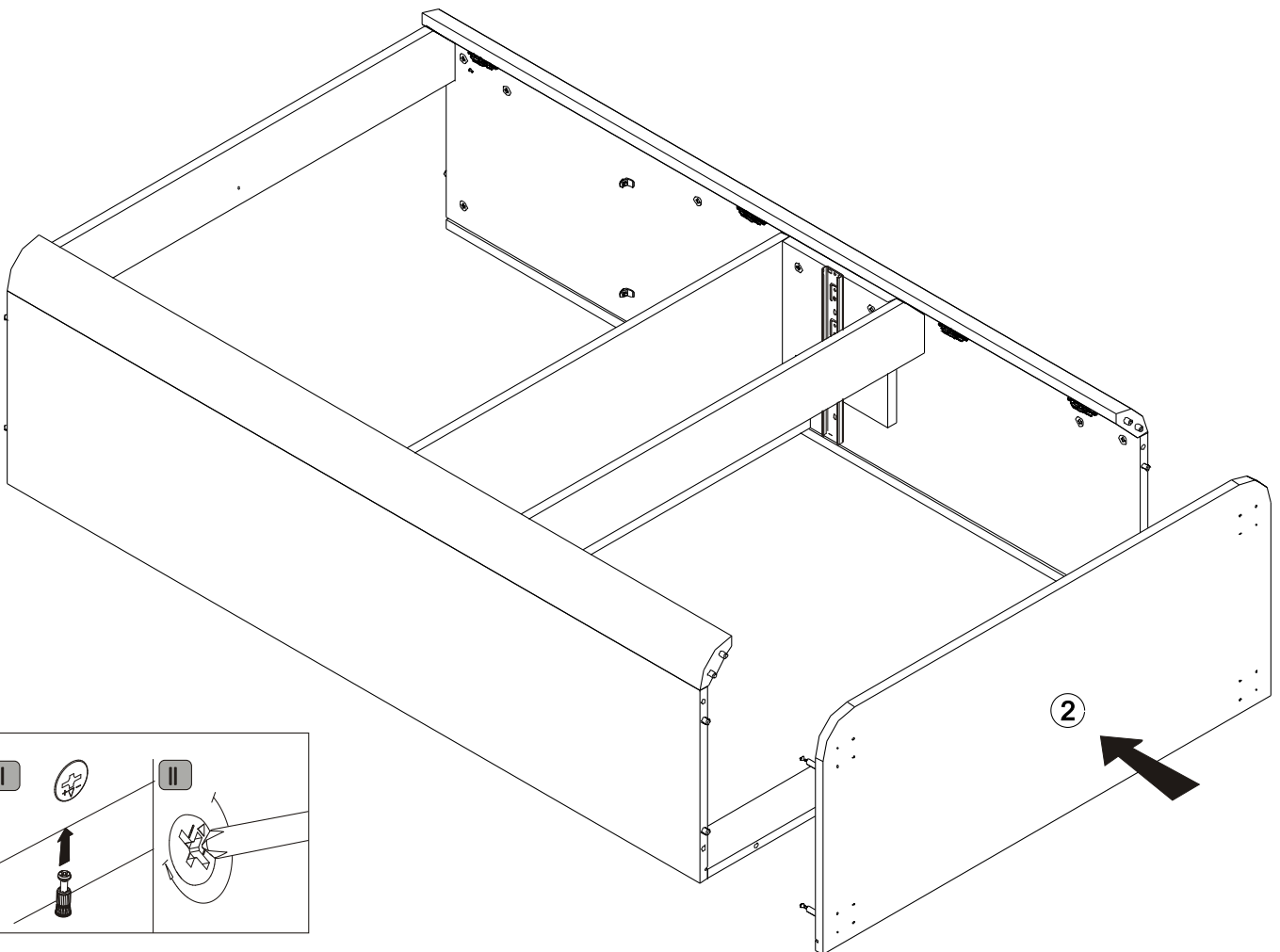
12▶



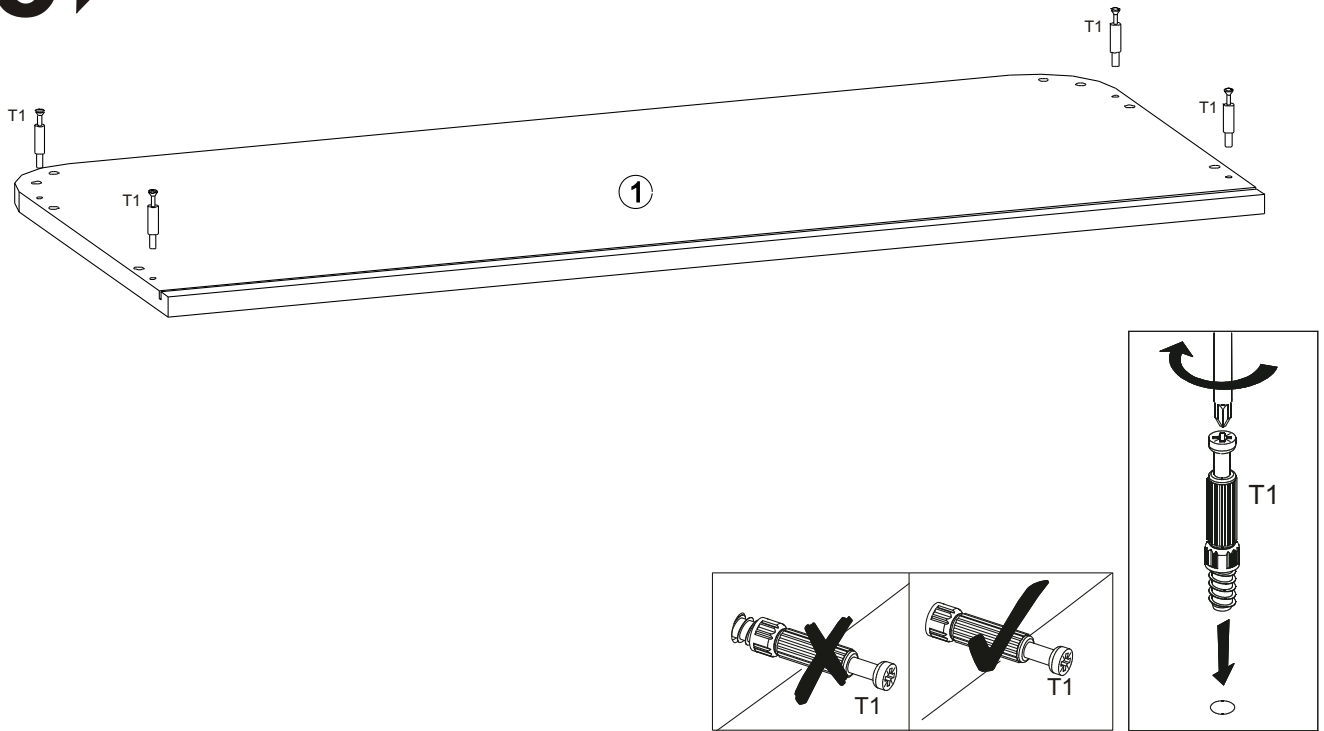
13▶



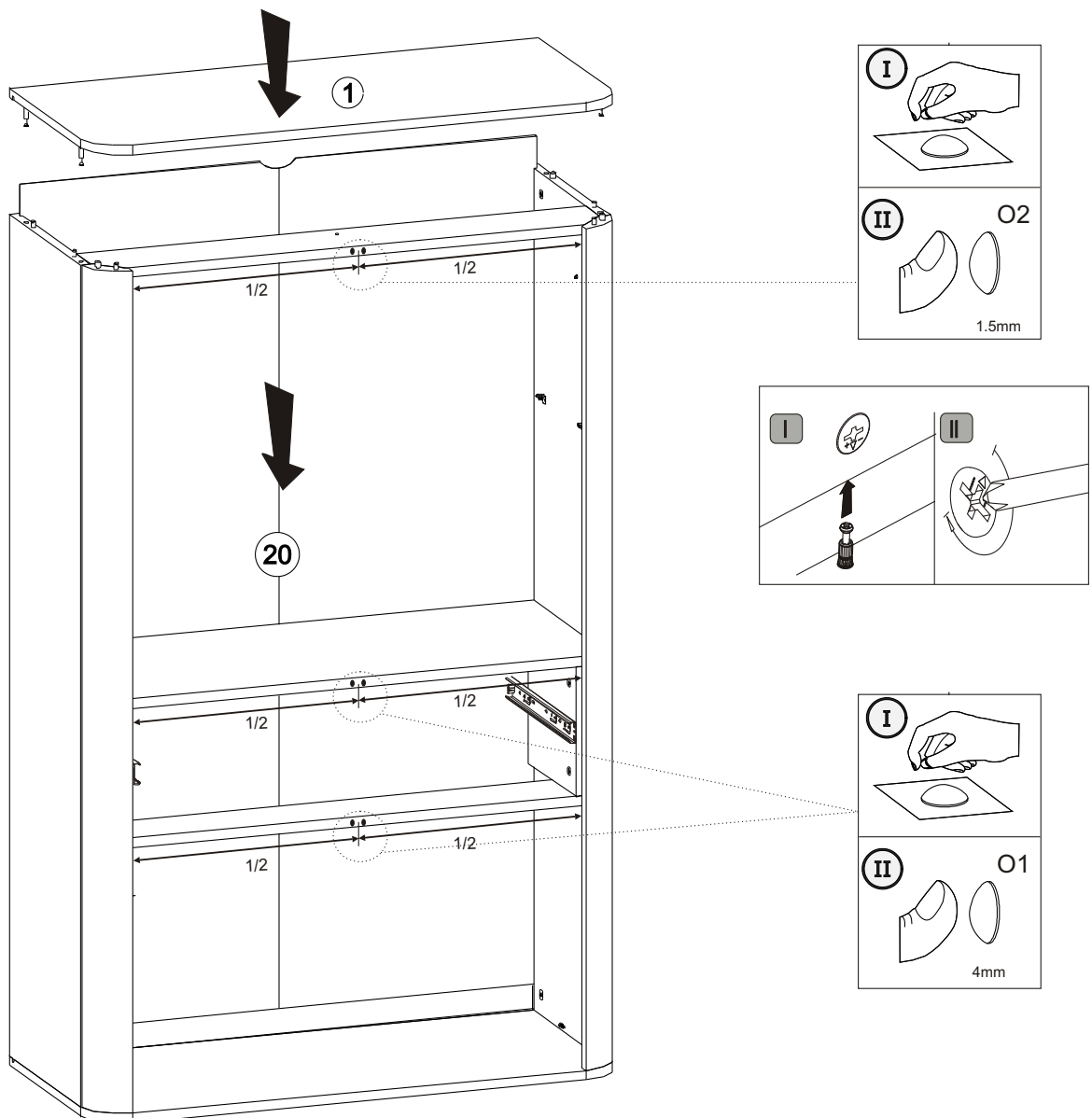
14▶



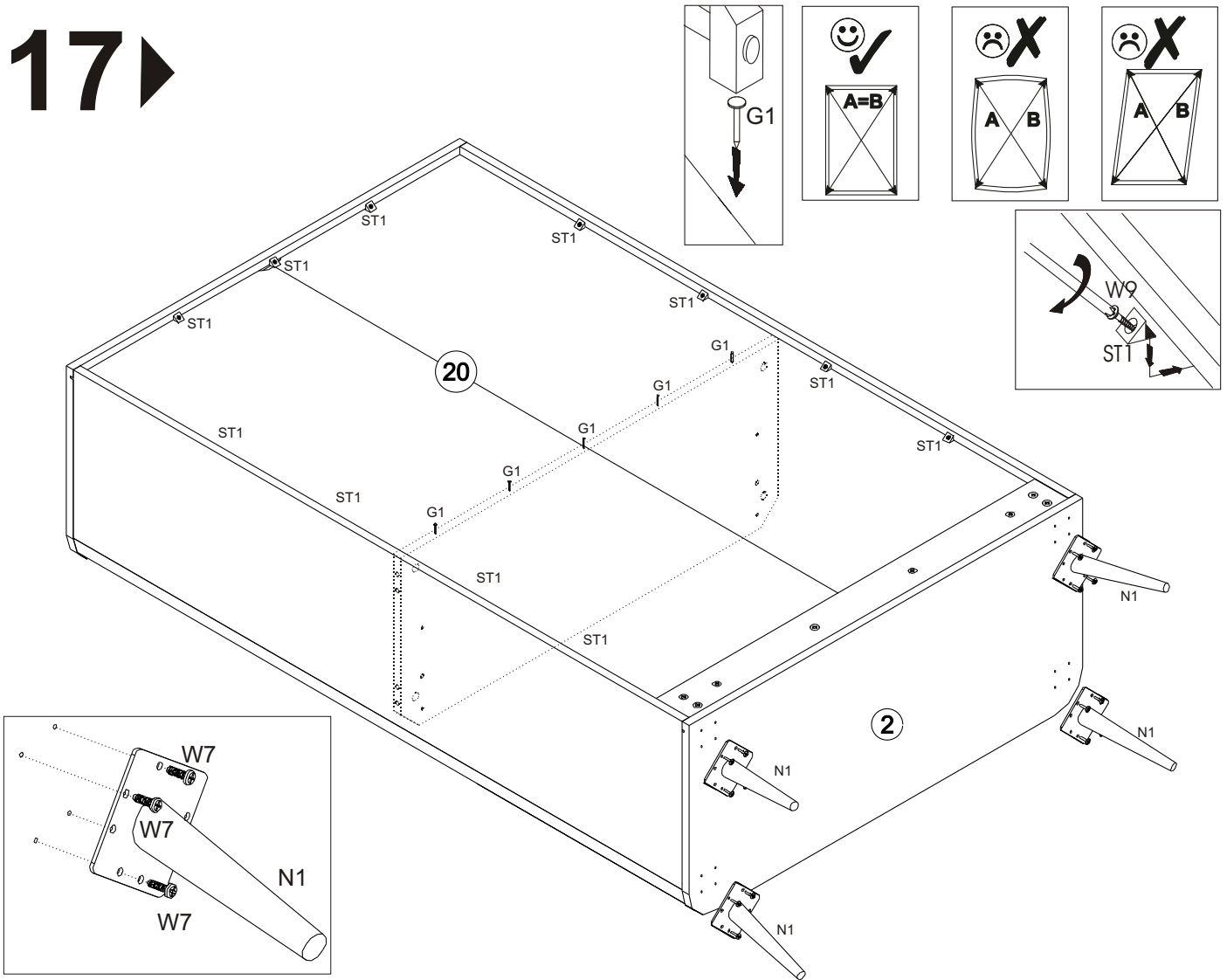
15 ▶



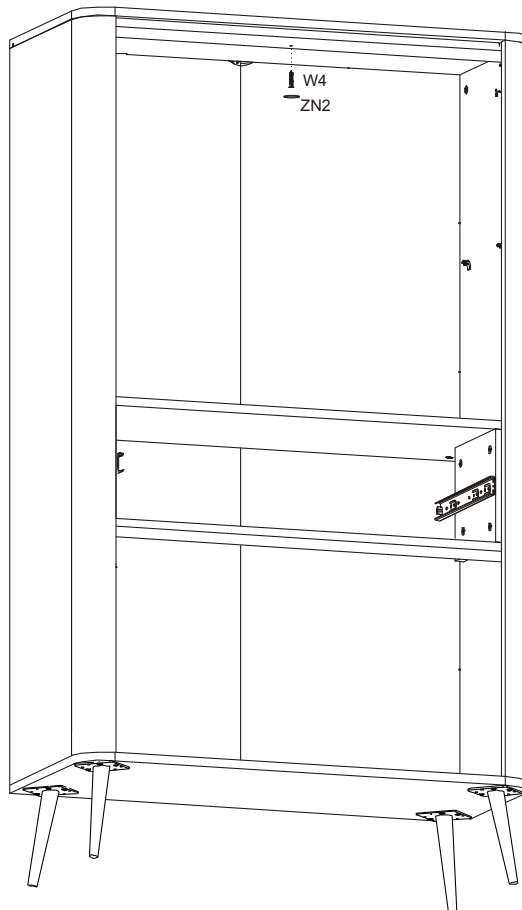
16 ▶



17

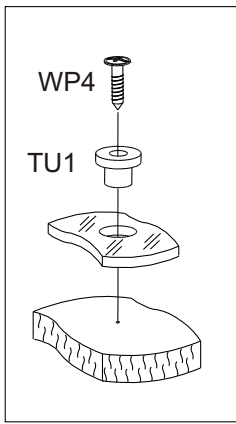
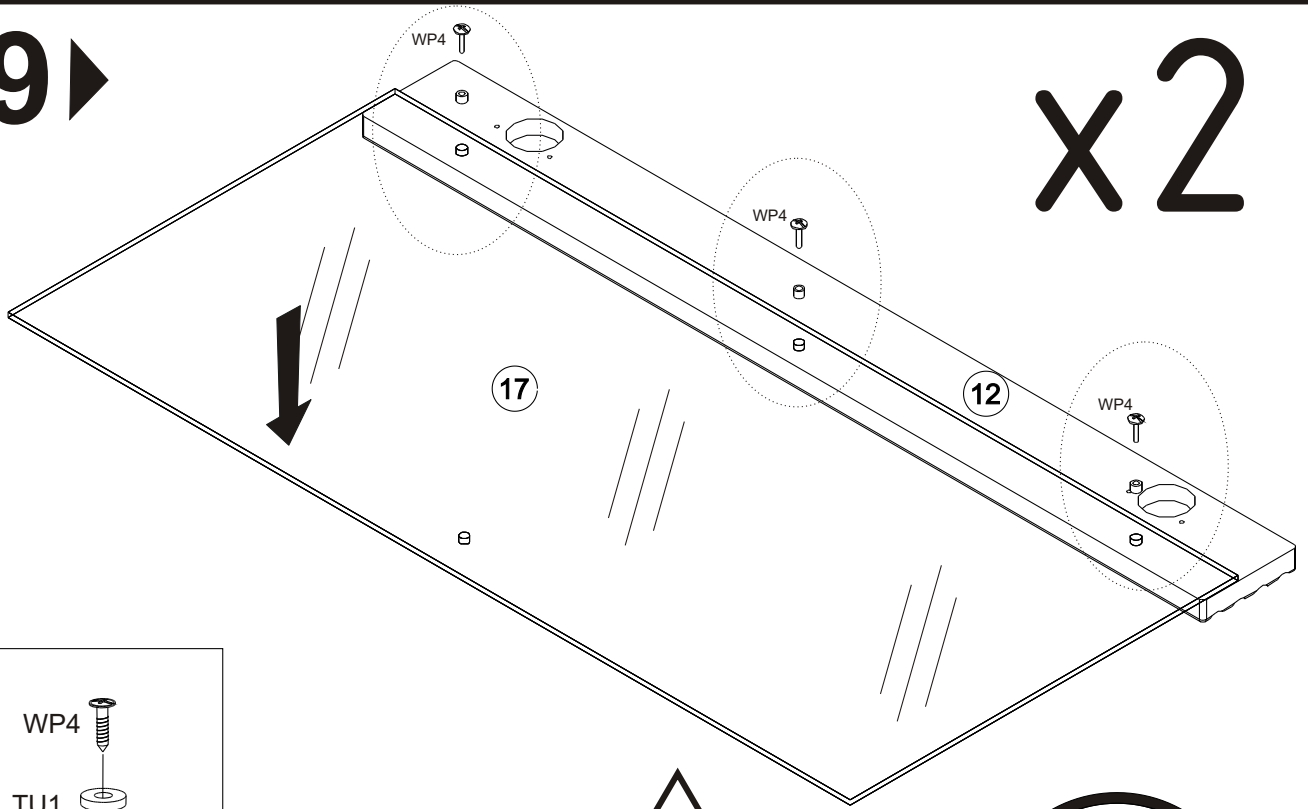


18



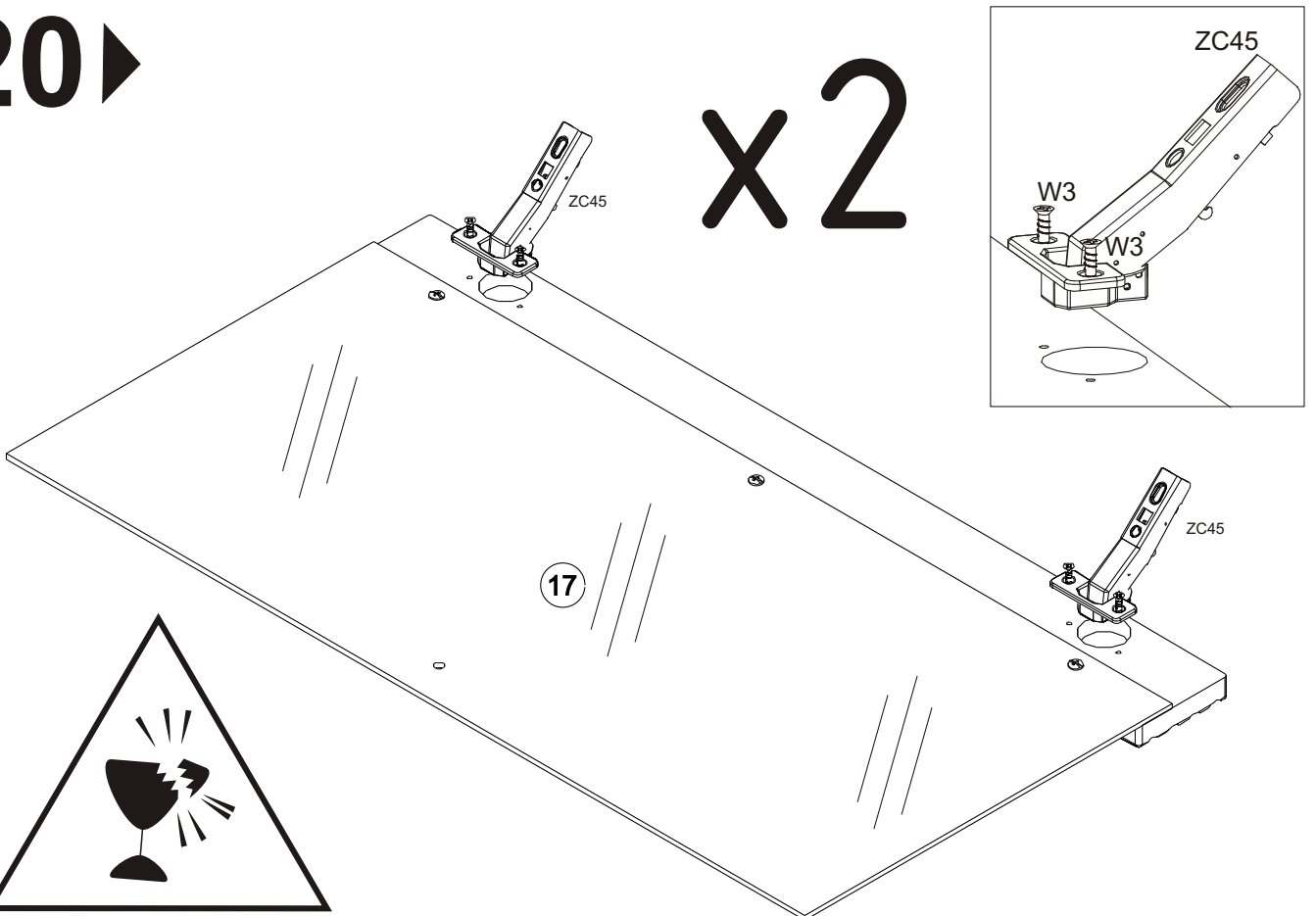
19 ▶

x2

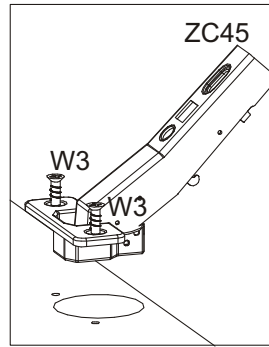


20 ▶

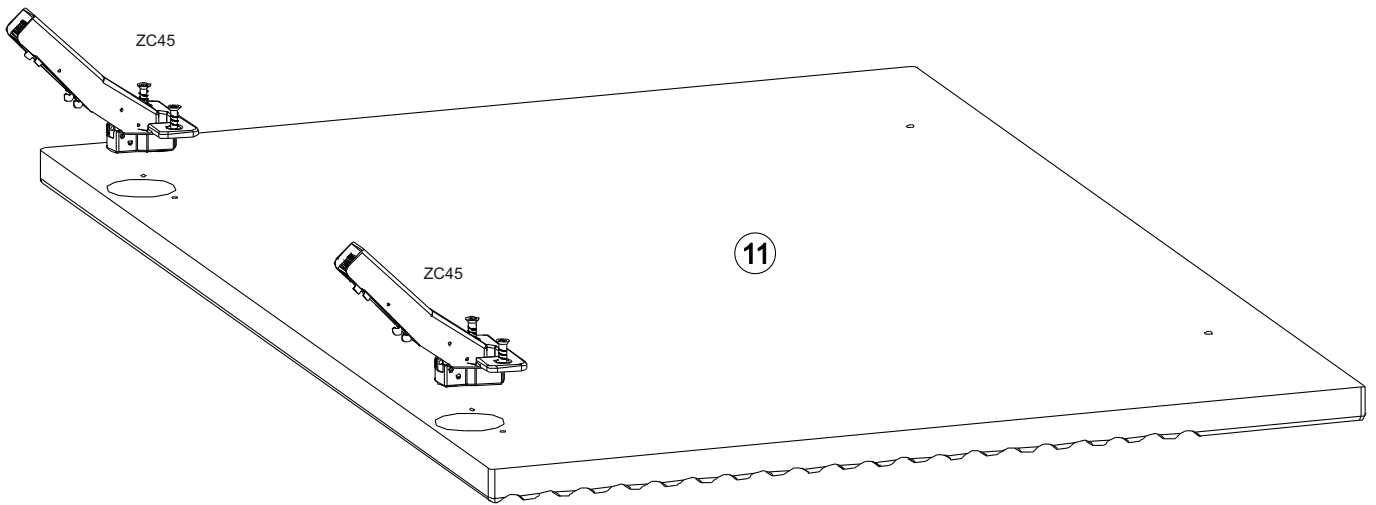
x2



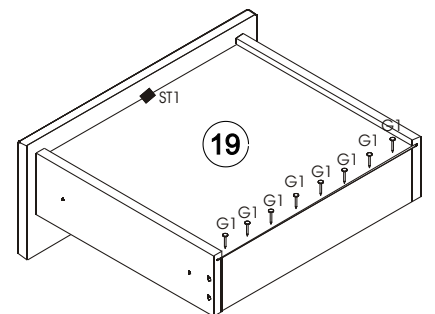
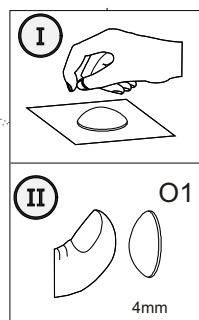
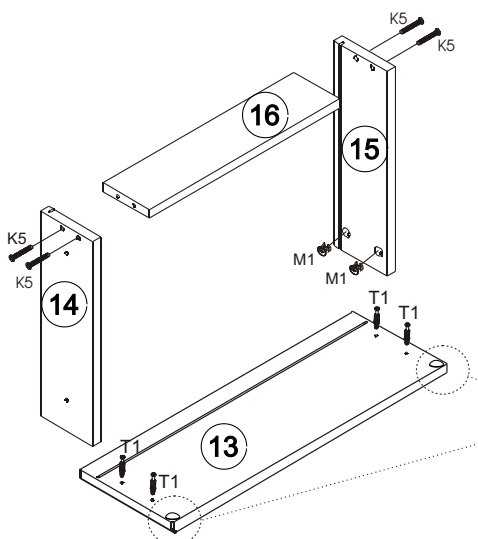
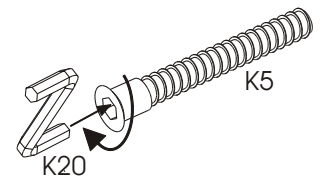
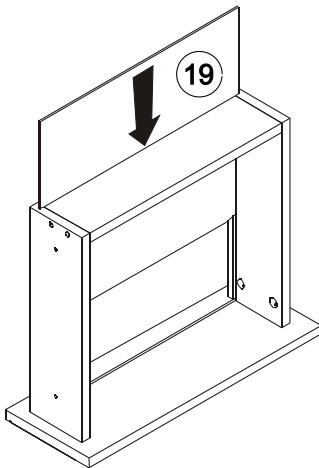
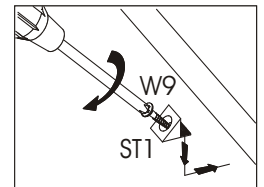
21▶



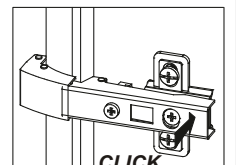
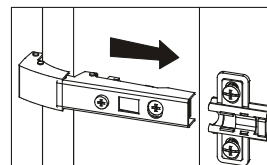
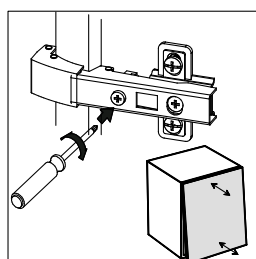
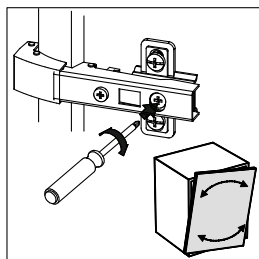
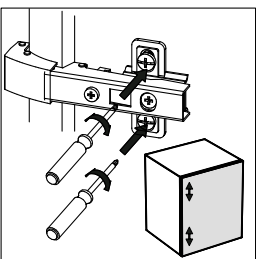
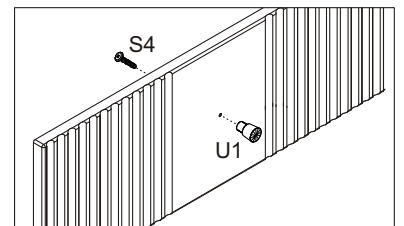
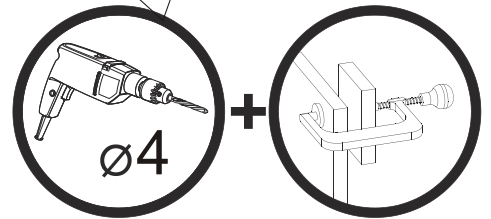
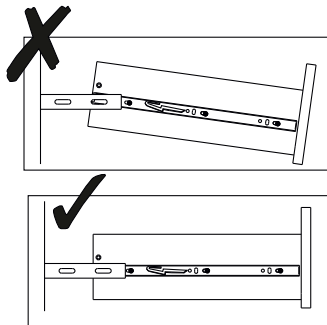
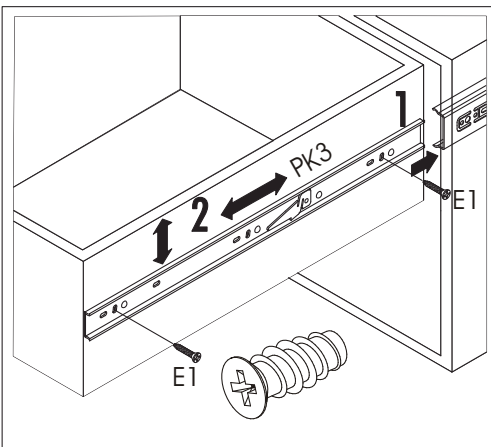
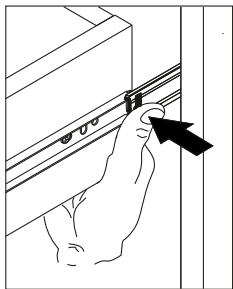
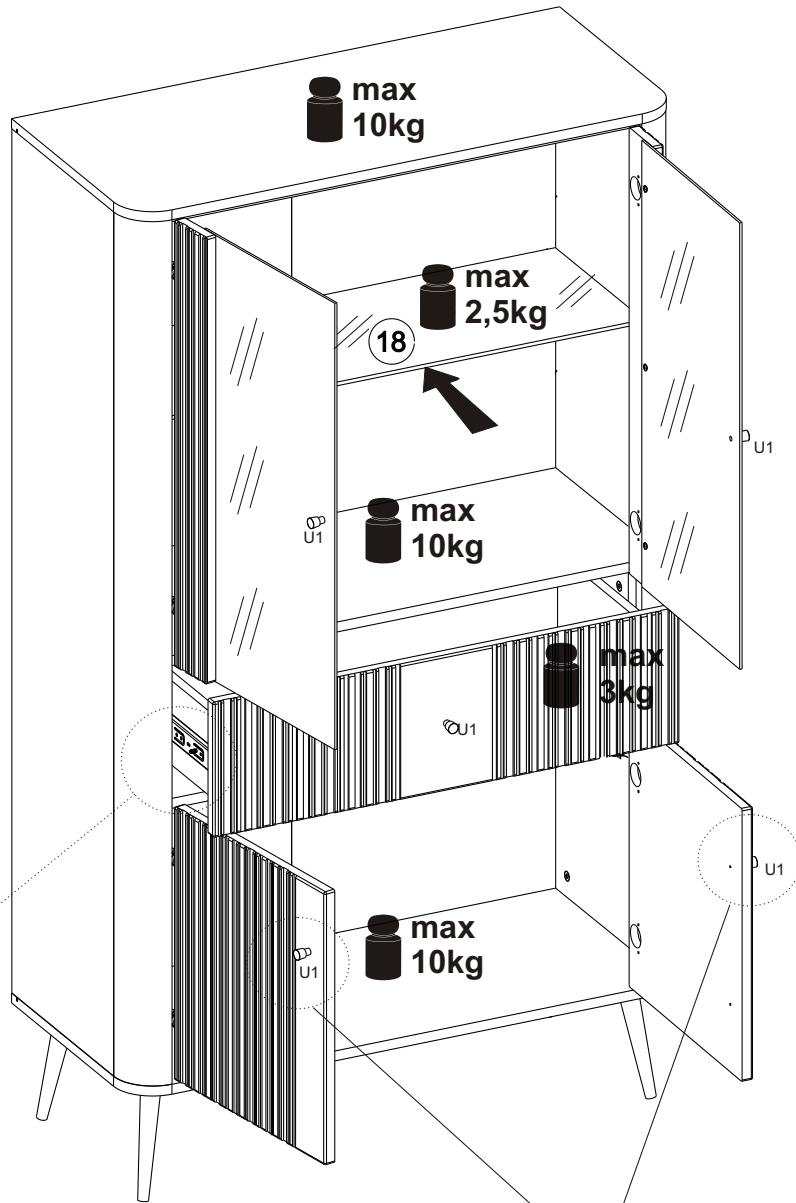
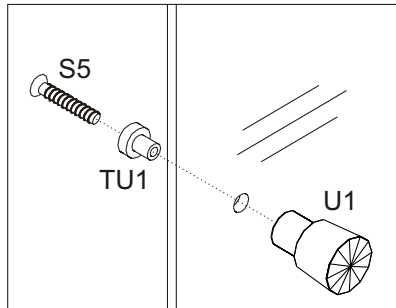
x2



22▶



23 ▶



24 ▶

