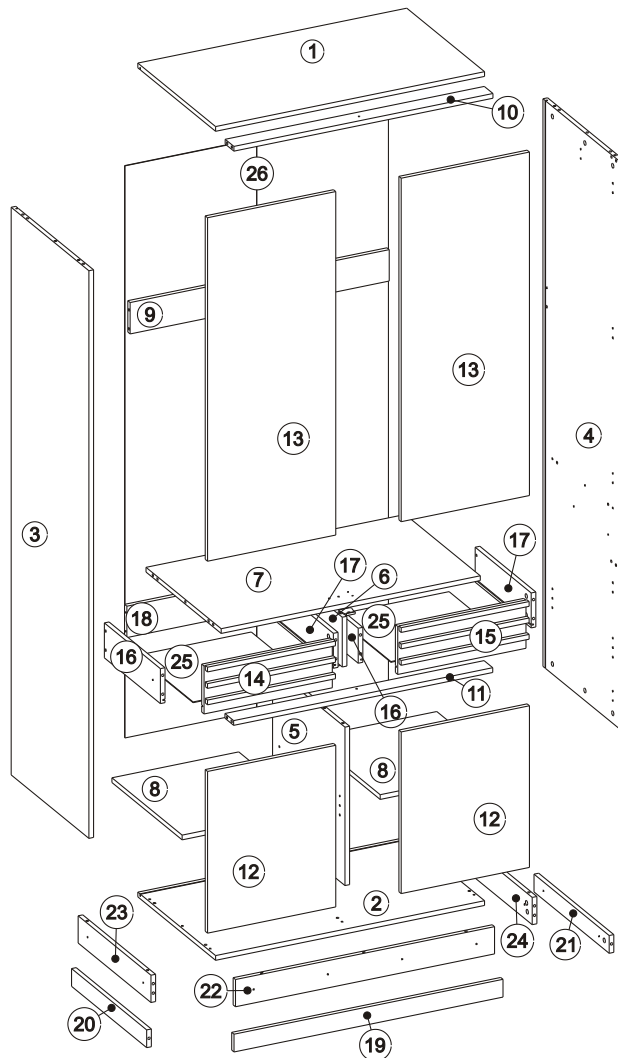
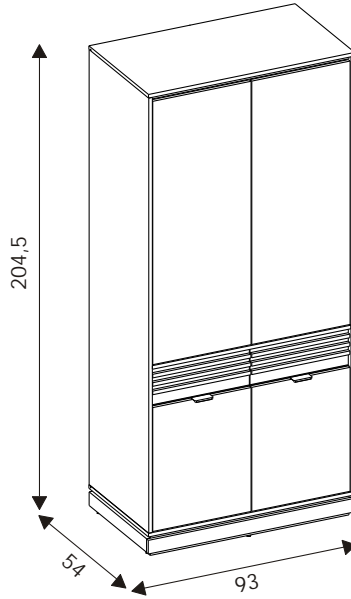
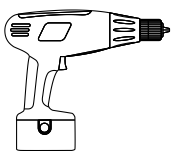
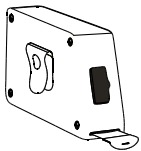
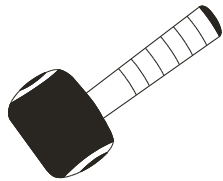
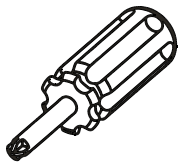
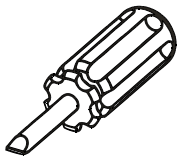
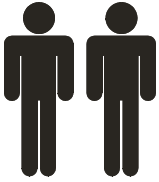
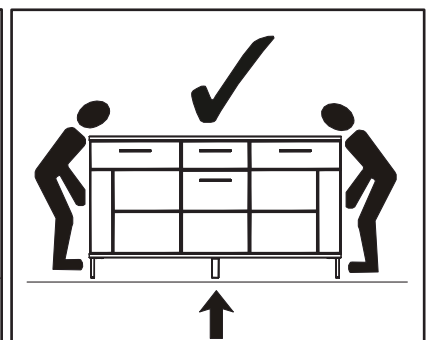
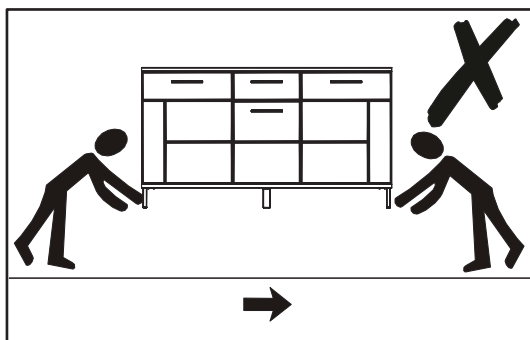
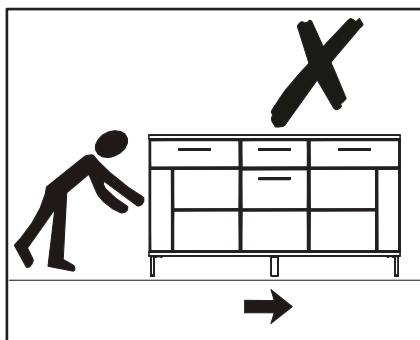
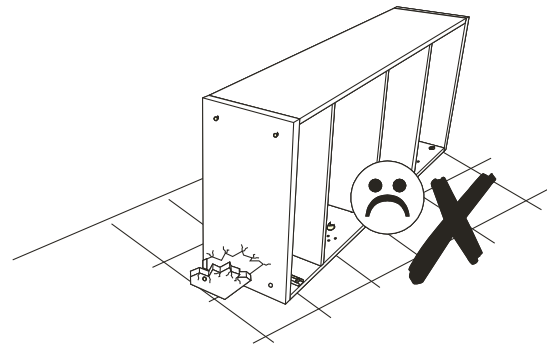
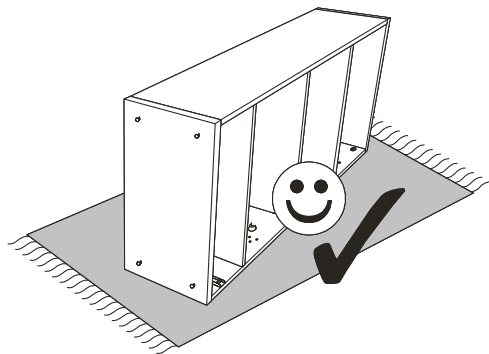
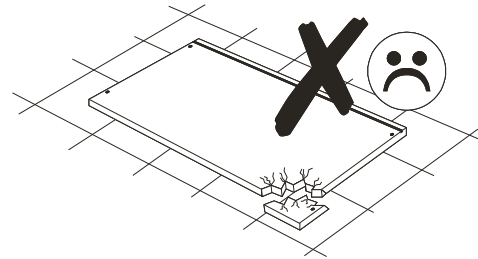
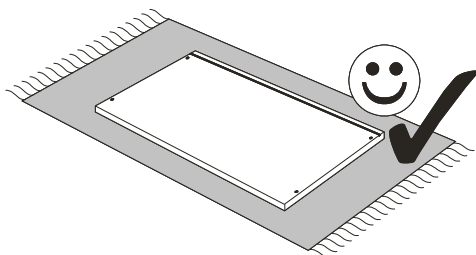
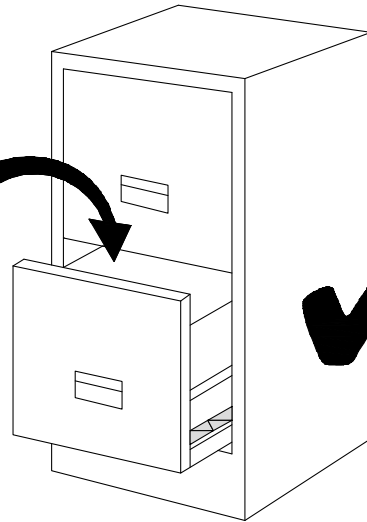
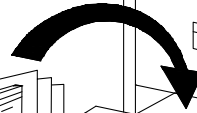
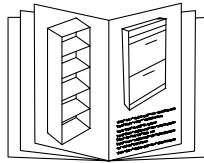
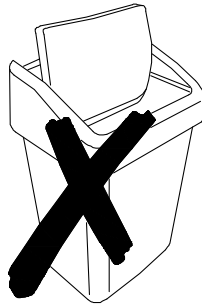
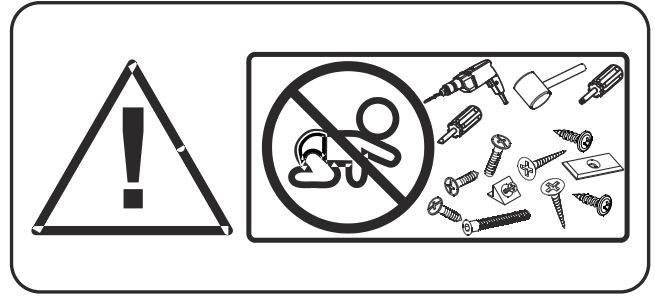


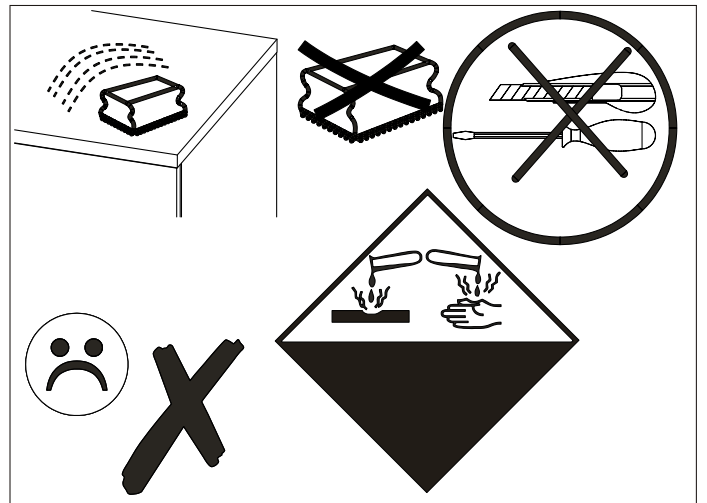
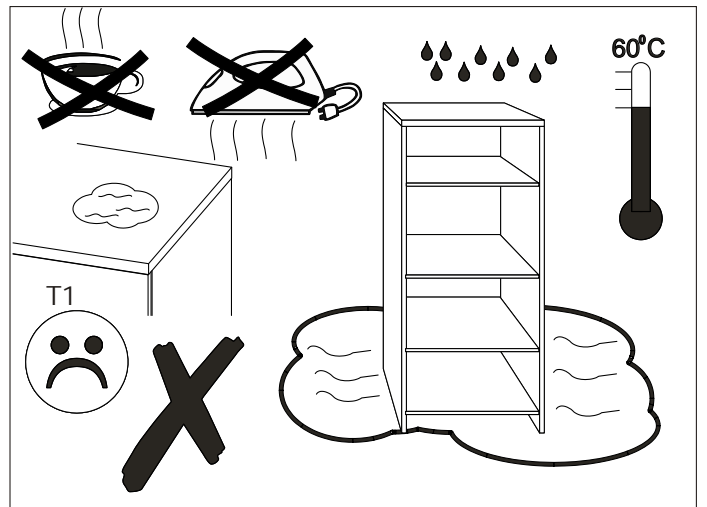
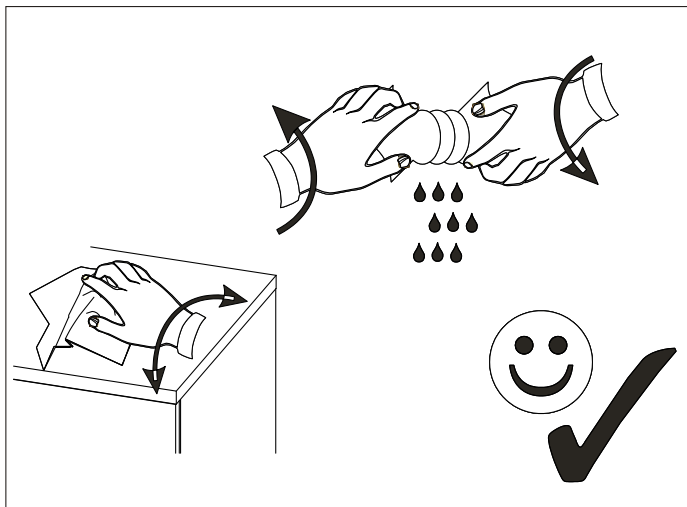
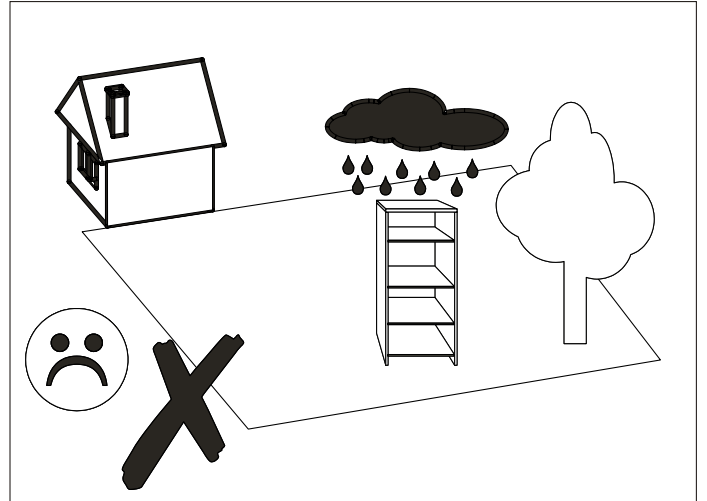
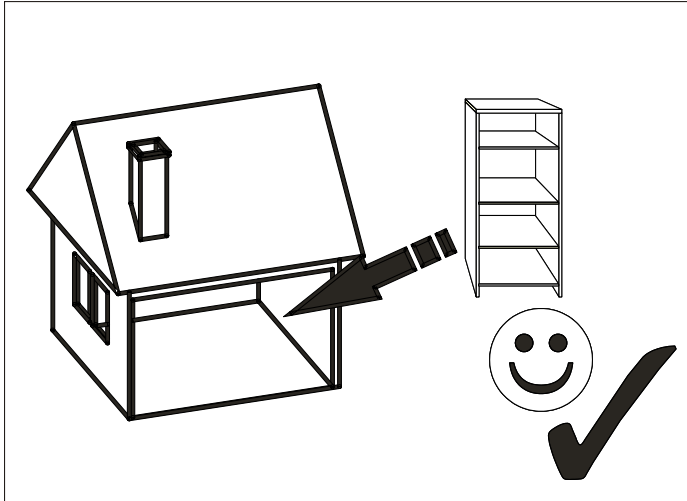
# MODEL: FE08

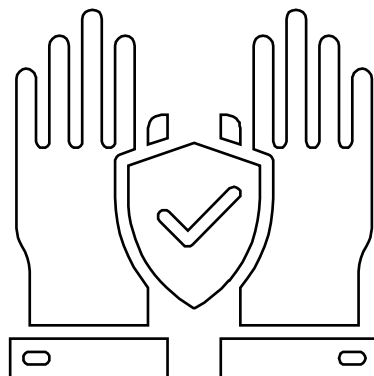
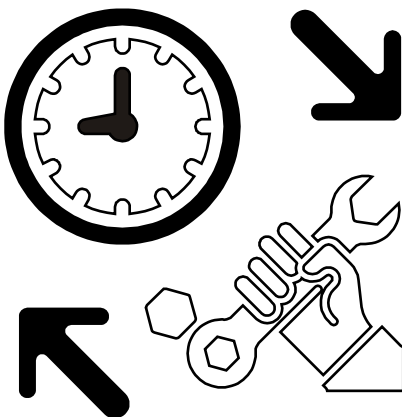
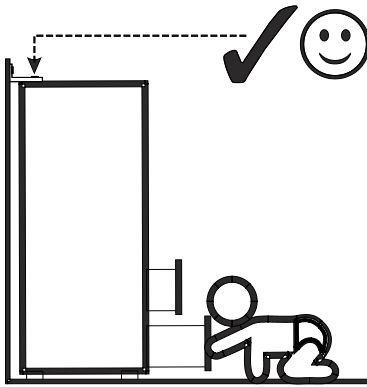
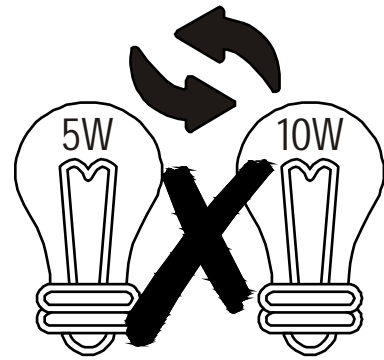
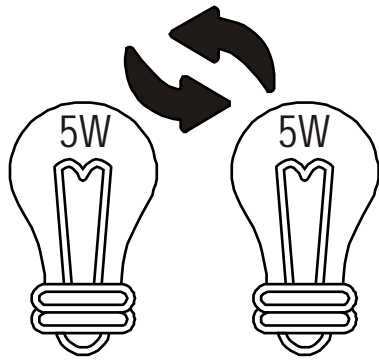
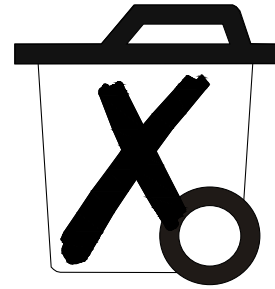
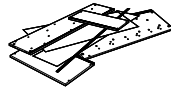
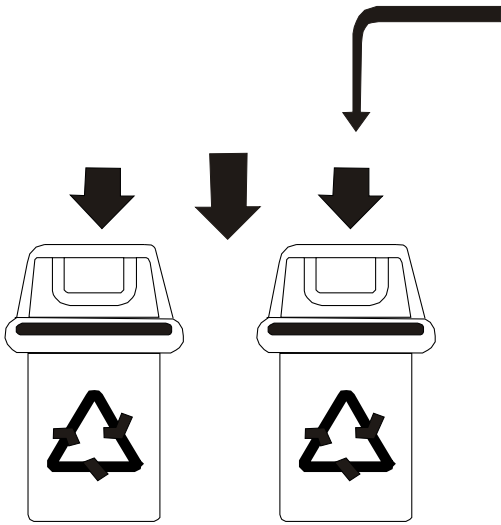
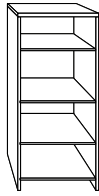


26	1932x908	2/3
25	392x397	2/3
25	392x397	1/3
24	502x92	1/3
23	502x92	1/3
22	893x92	1/3
21	518x60	1/3
20	518x60	1/3
19	927x60	1/3
18	382x106	1/3
17	386x118	1/3
16	386x118	1/3
15	442x162	3/3
14	442x162	3/3
13	1160x442	3/3
12	546x442	1/3
11	893x60	1/3
10	893x60	1/3
9	893x106	1/3
8	437x484	2/3
7	893x518	1/3
6	184x484	1/3
5	535x499	2/3
4	1917x536	2/3
3	1917x536	2/3
2	927x536	1/3
1	927x536	1/3

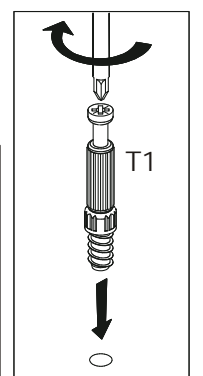
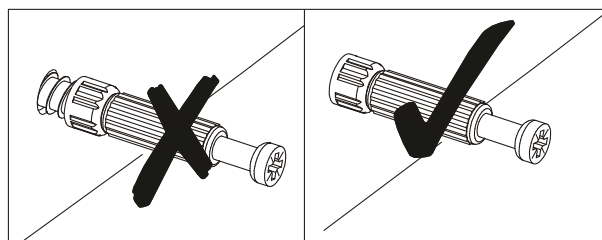
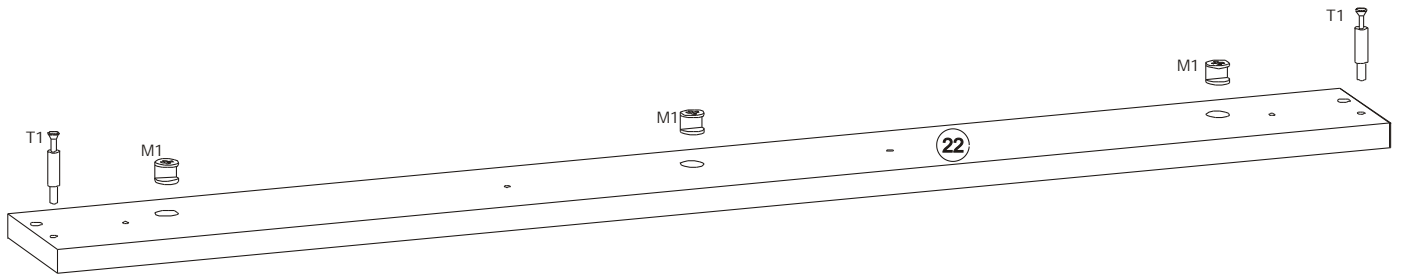
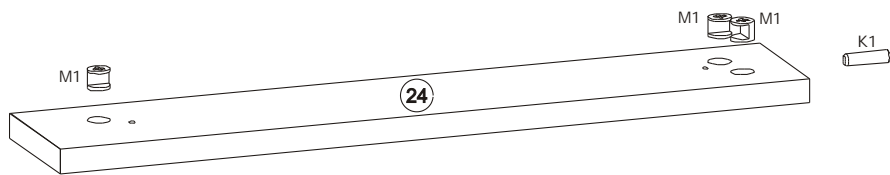
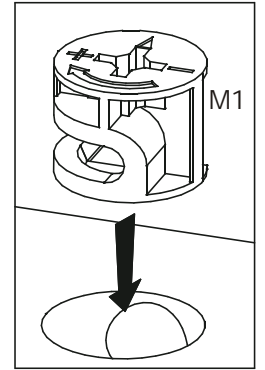
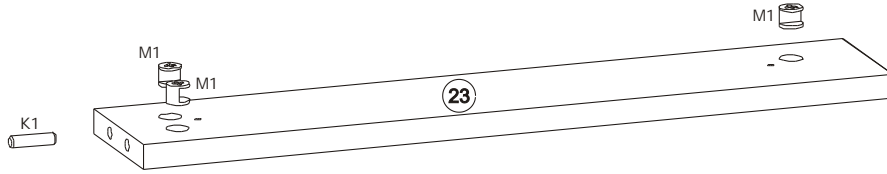
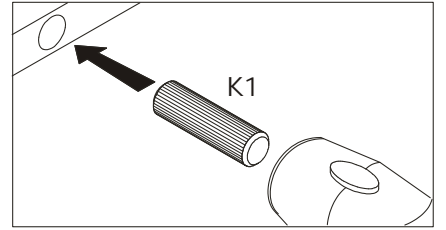
1x LK008121S £1	2x 8x50 K2	1x L-887 D1	12x 15x16 ZN4	8x 6.4x50 K5	2kpl. #300 PK3	1x R1	1x N2	1x H2
24x #20/863 ZN1	31x 3.5x16 W3	16x ST1	2x U1	1x #14/863 ZN2	16x 3x20 W9	10x ZC90	9x 4x30 W4	5x N1
2x WS1	28x 8x30 K1	3x 4x13 WP4	8x B1	46x #15/15 M1	46x DU232T T1	1x K20	14x 2x20 G1	16x 5x11 E1



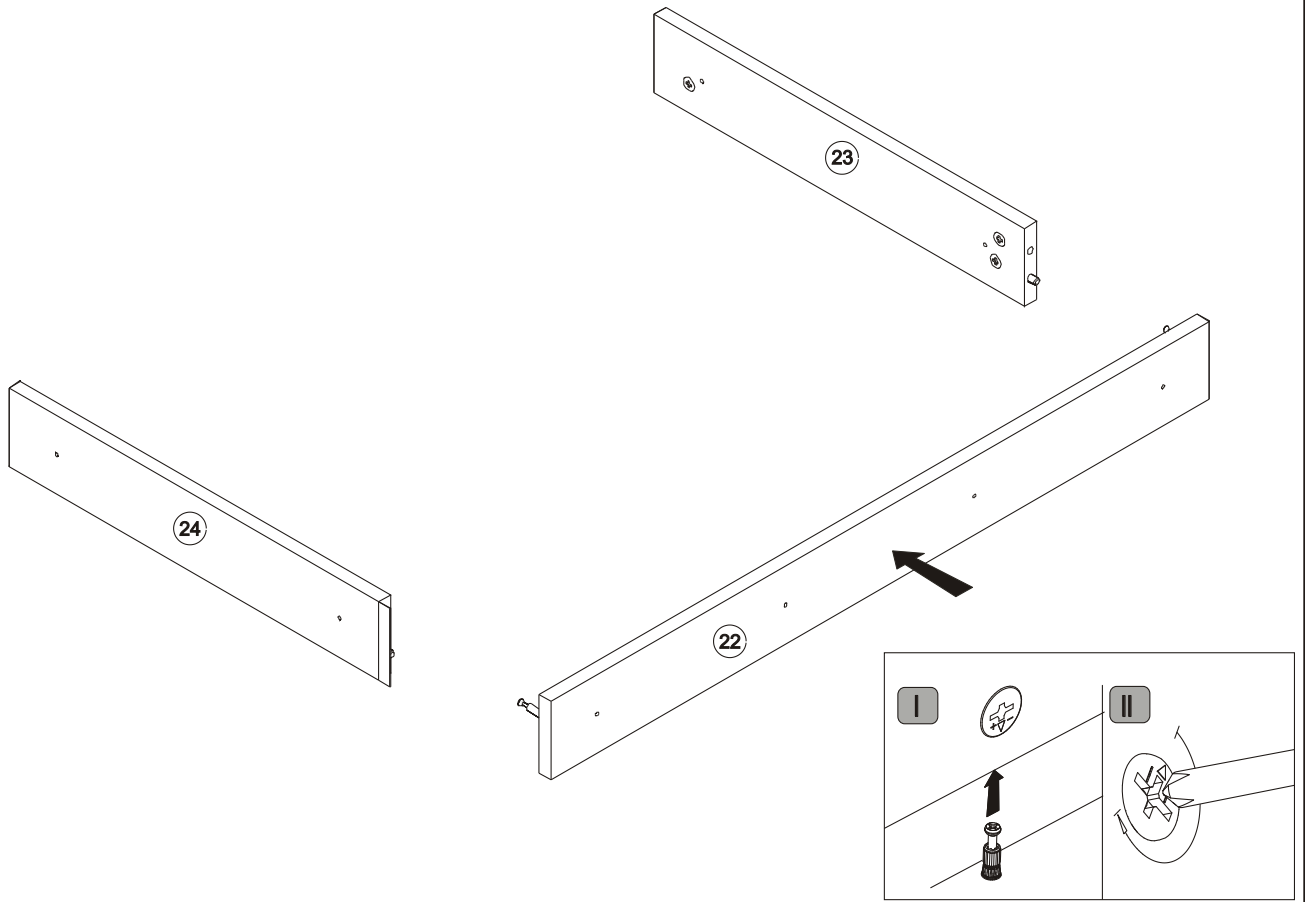




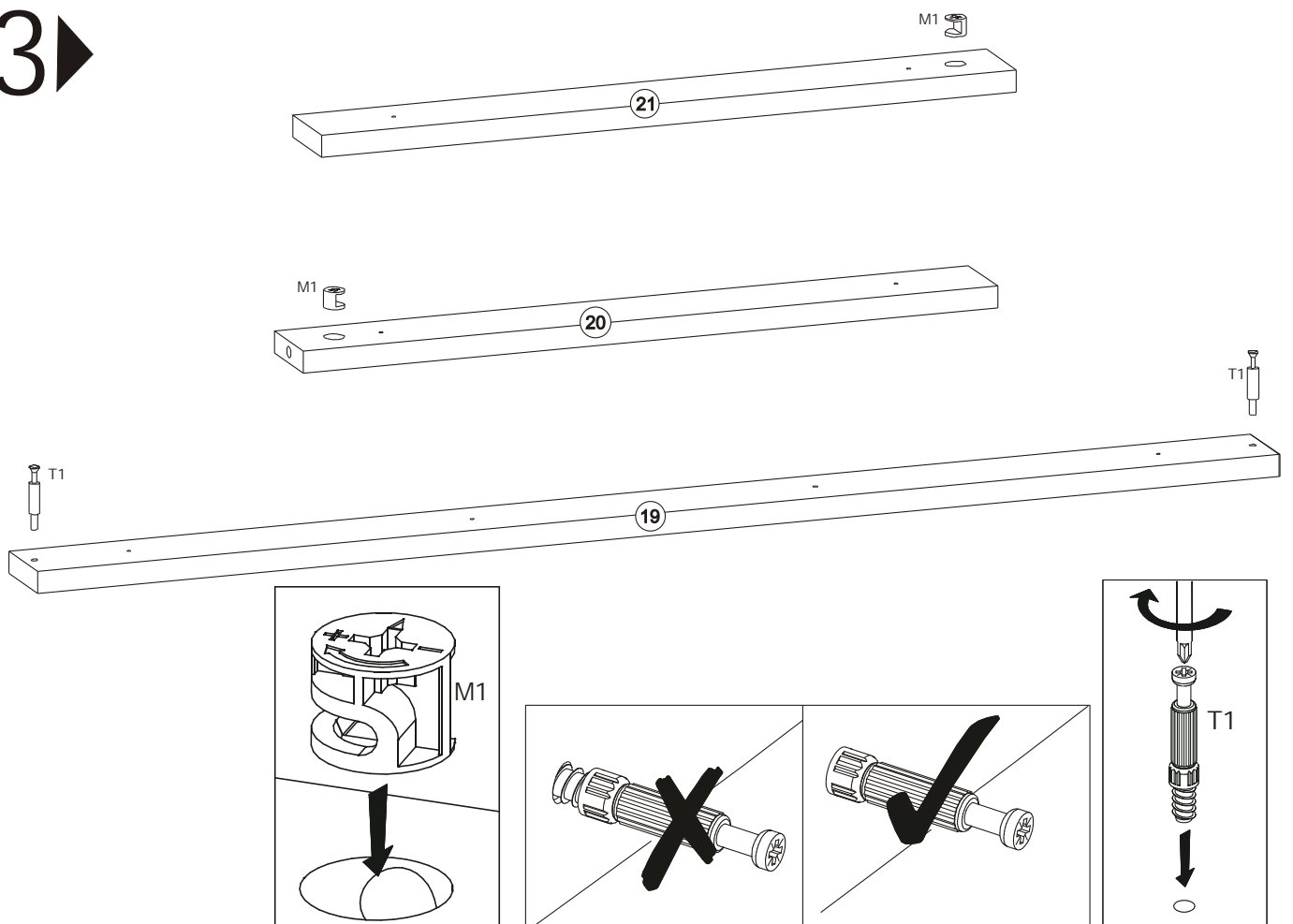
1 ▶



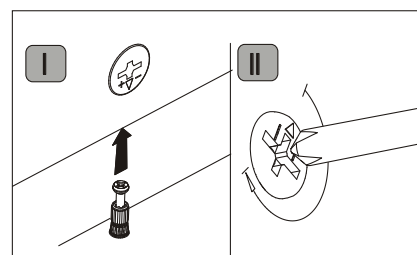
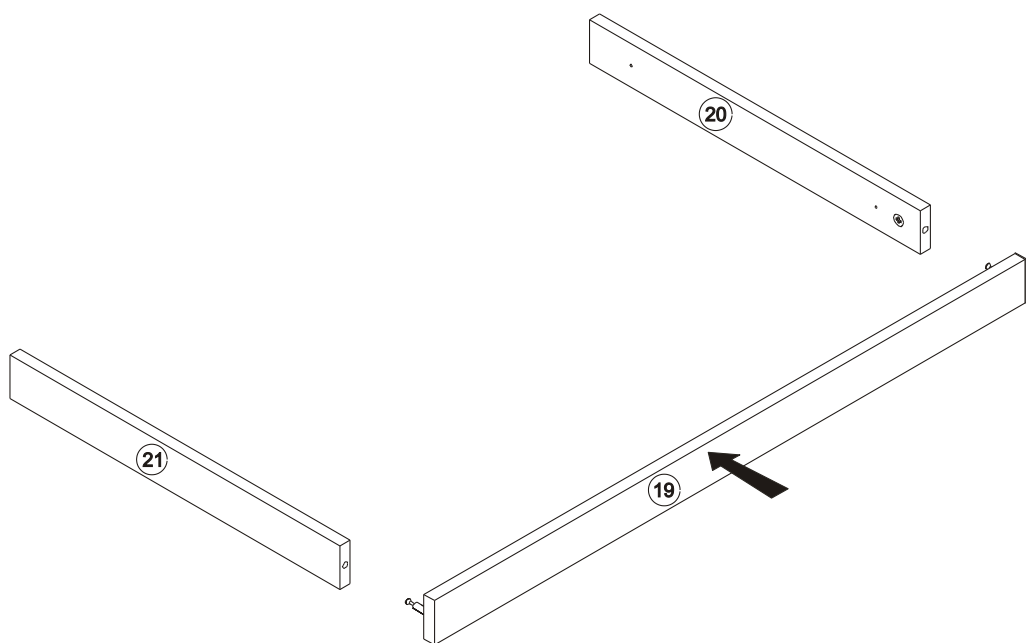
2 ▶



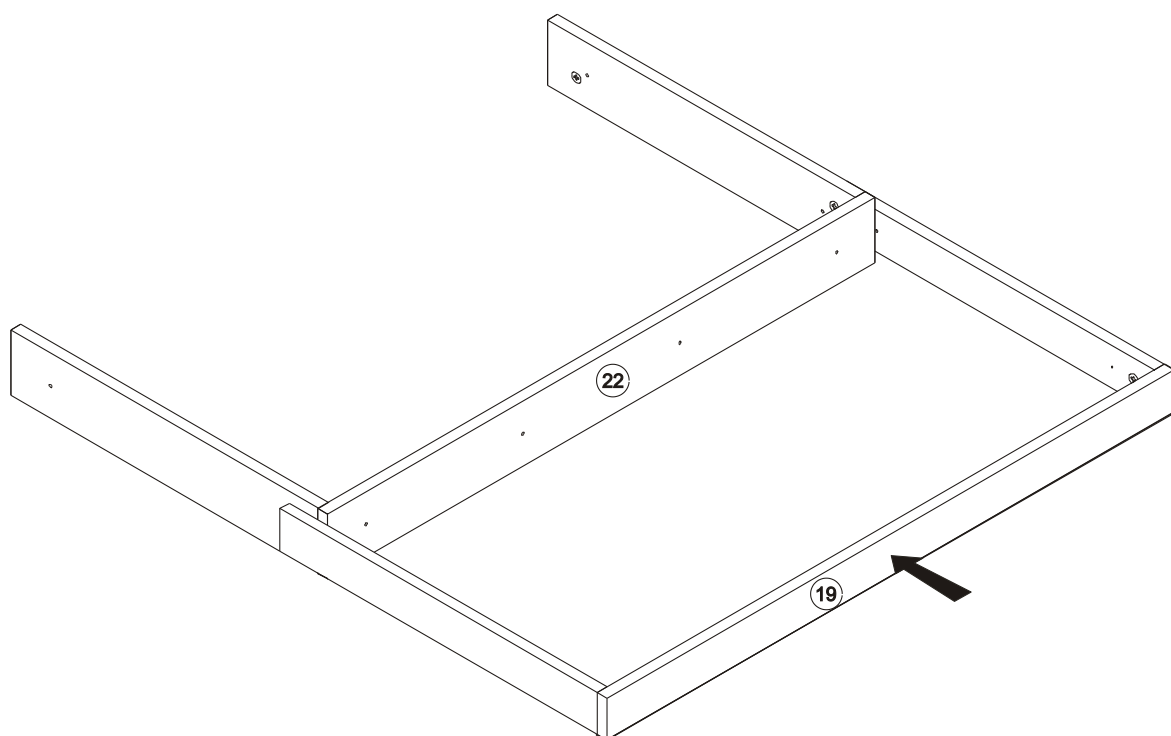
3 ▶



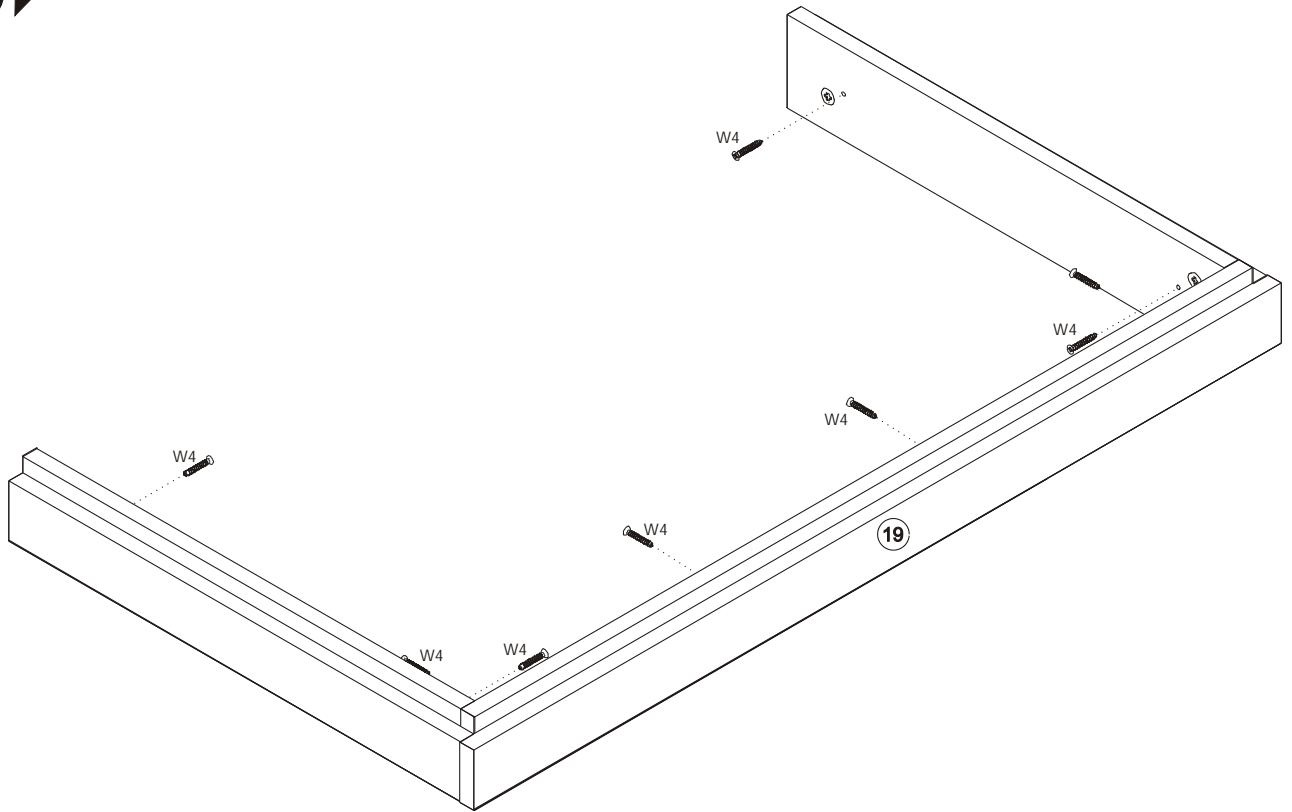
4 ▶



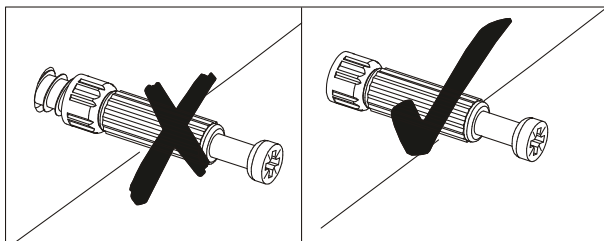
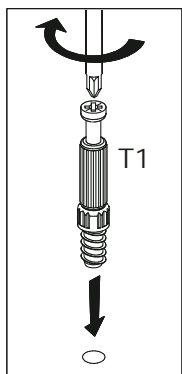
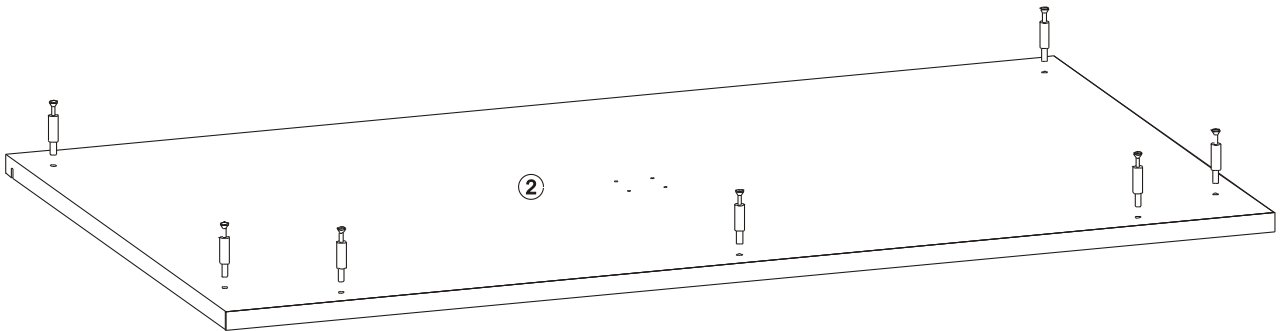
5 ▶



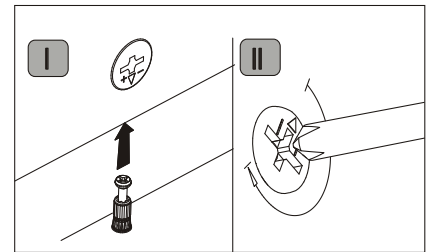
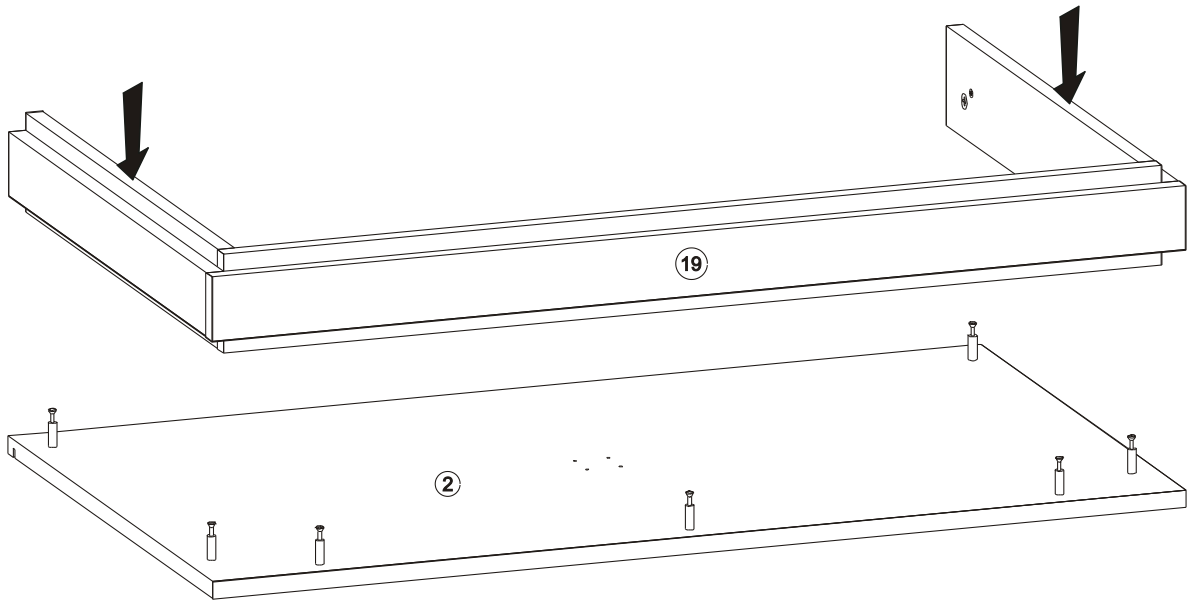
6▶



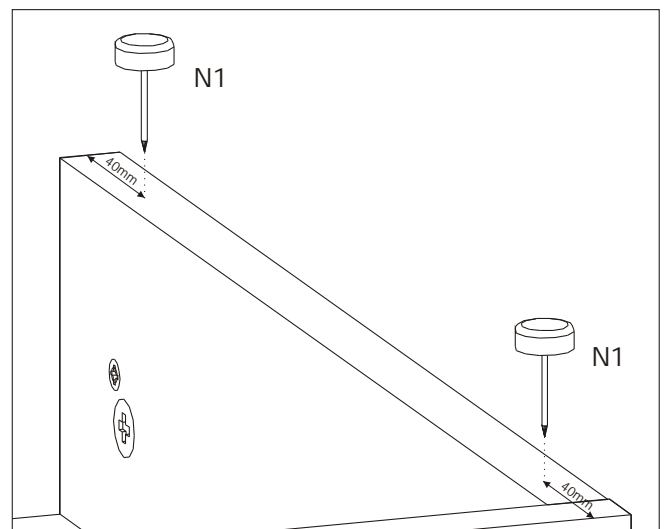
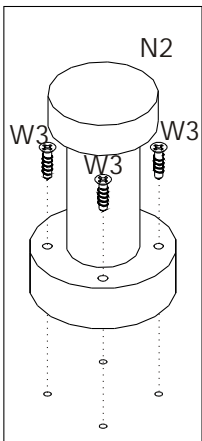
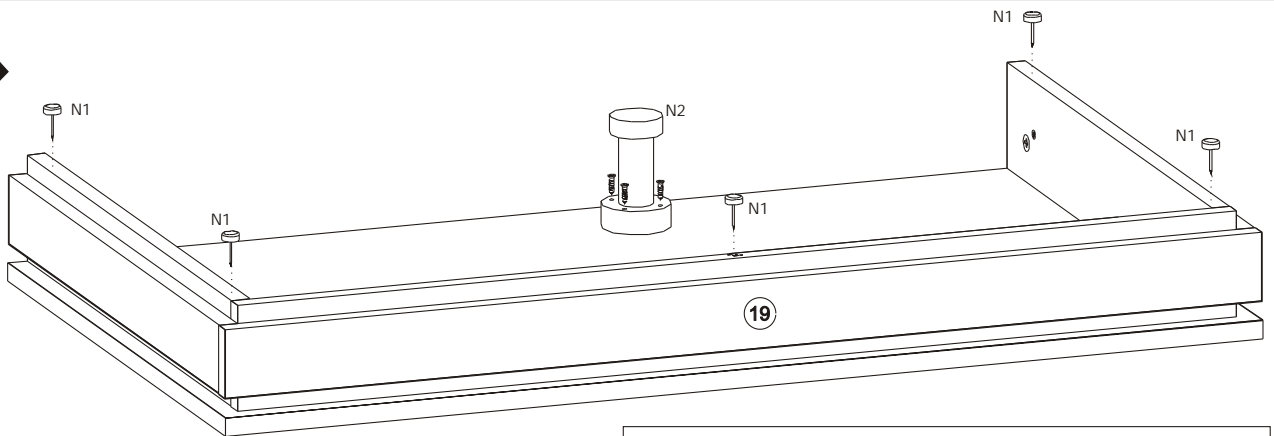
7▶



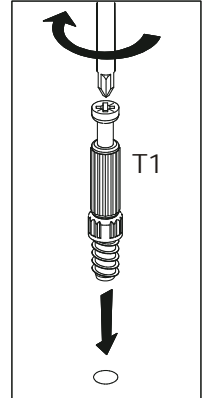
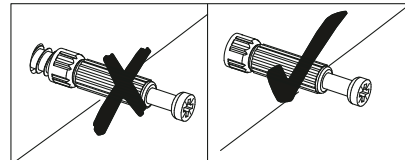
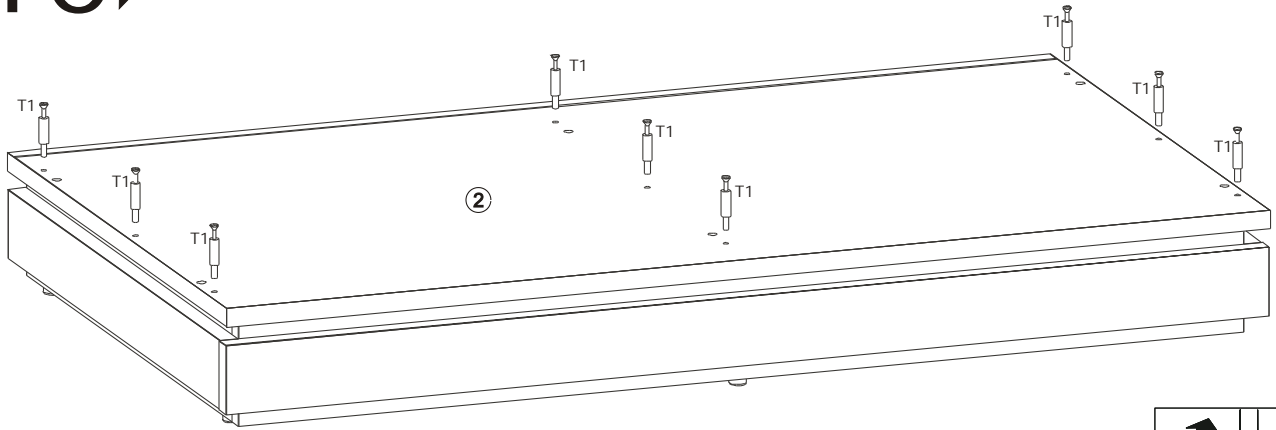
8 ▶



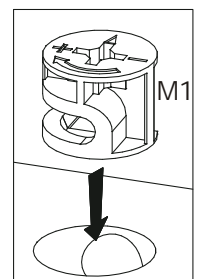
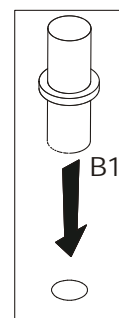
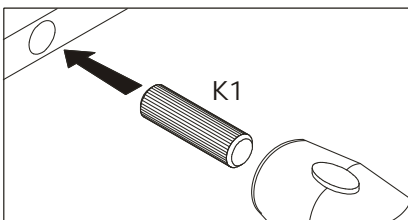
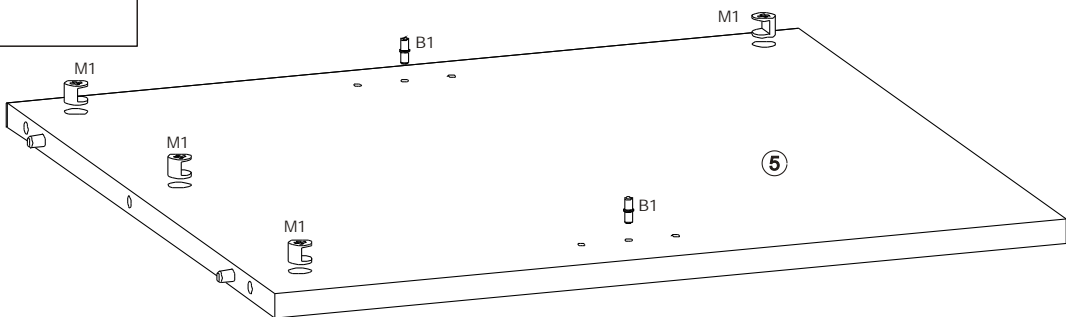
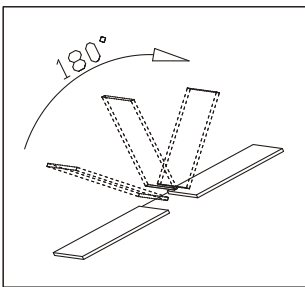
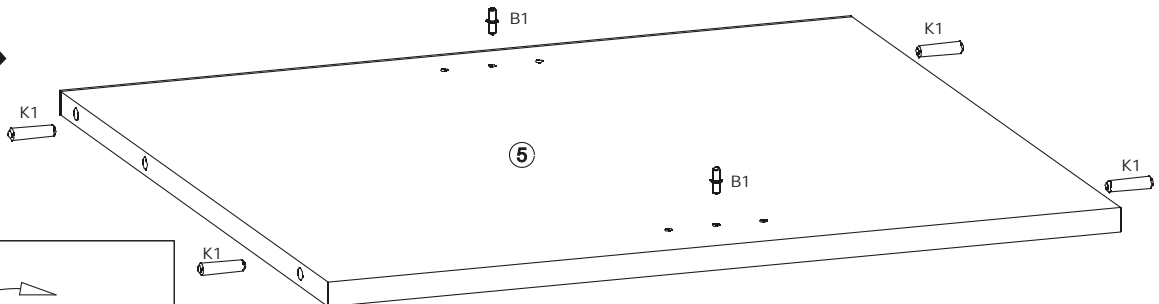
9 ▶



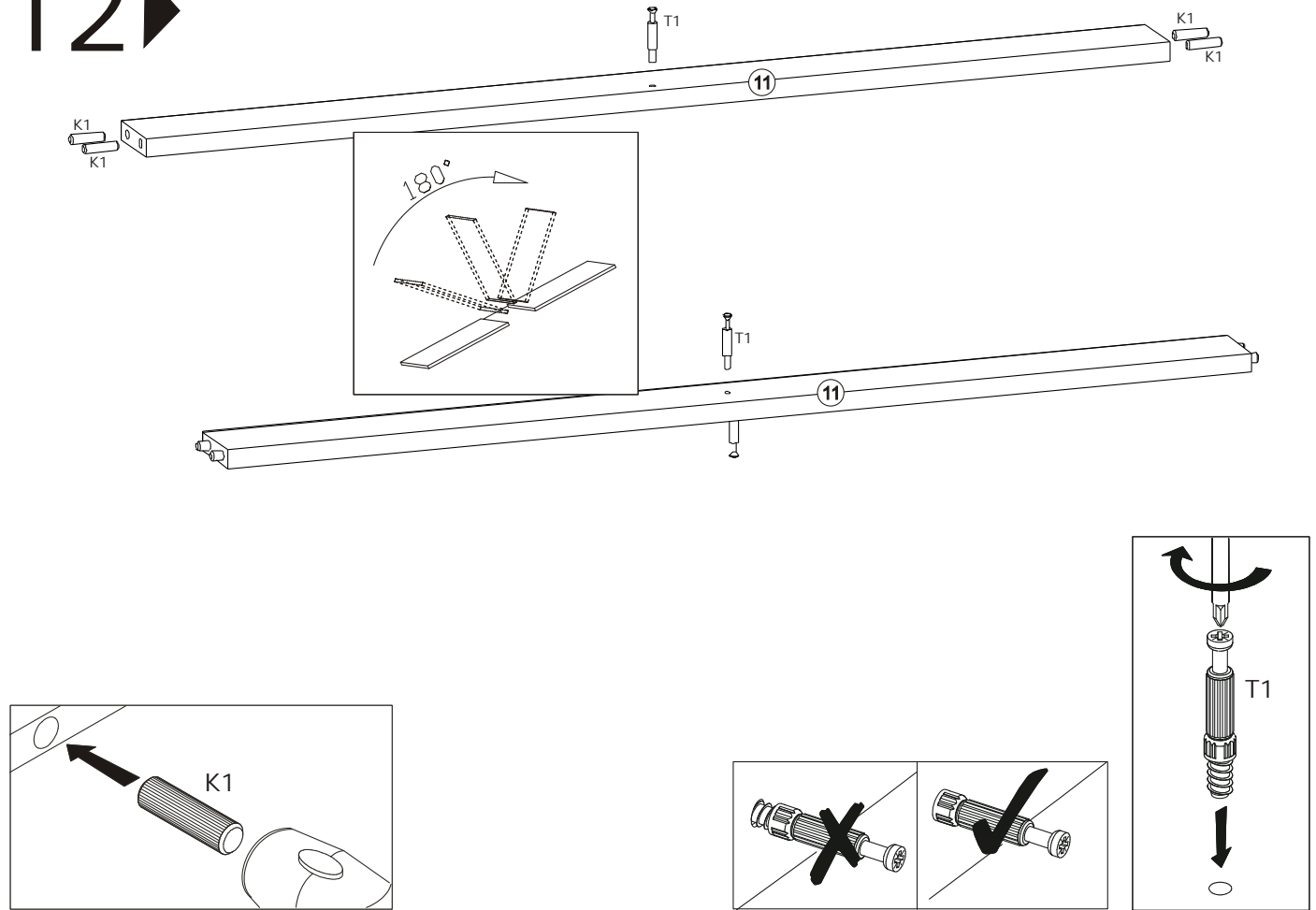
# 10▶



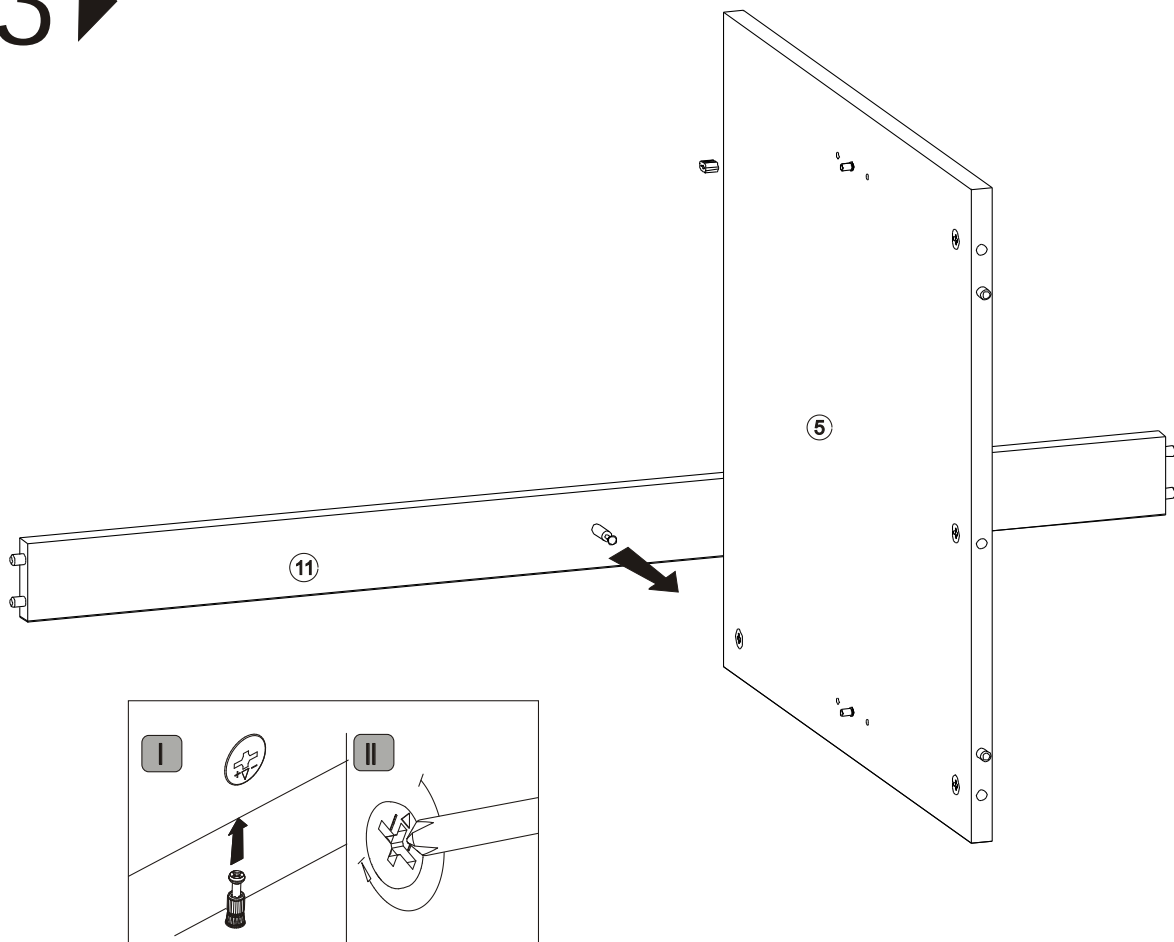
# 11▶



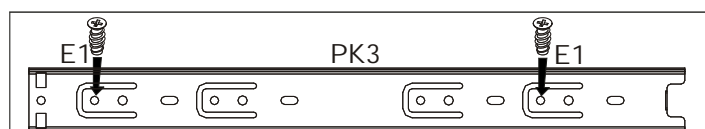
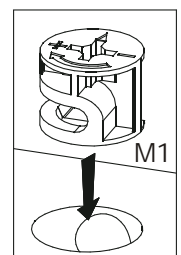
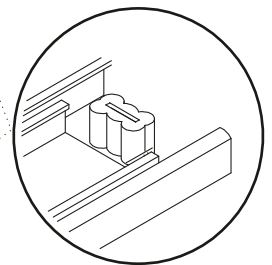
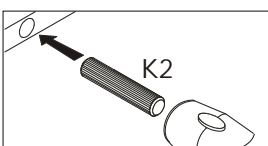
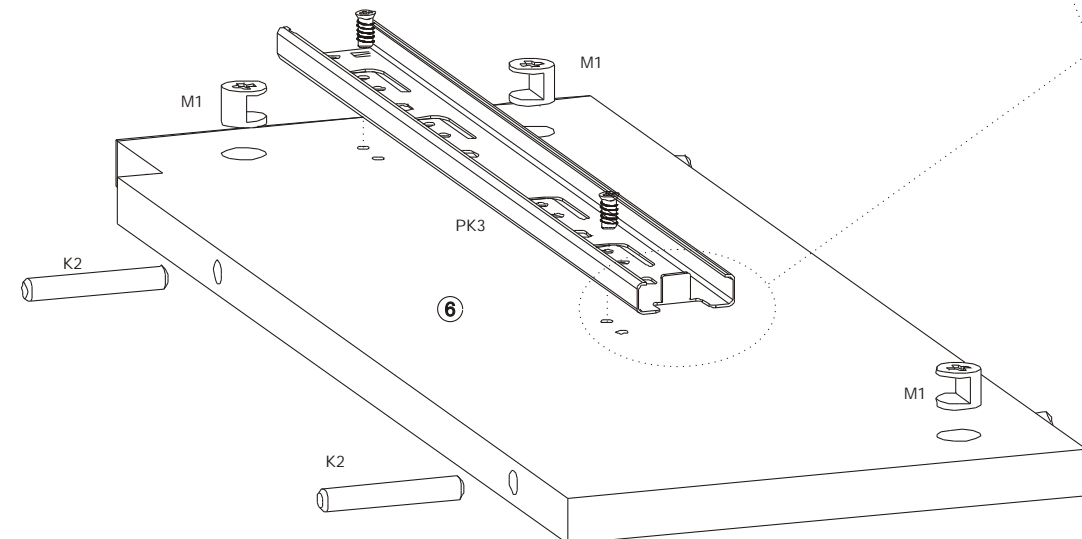
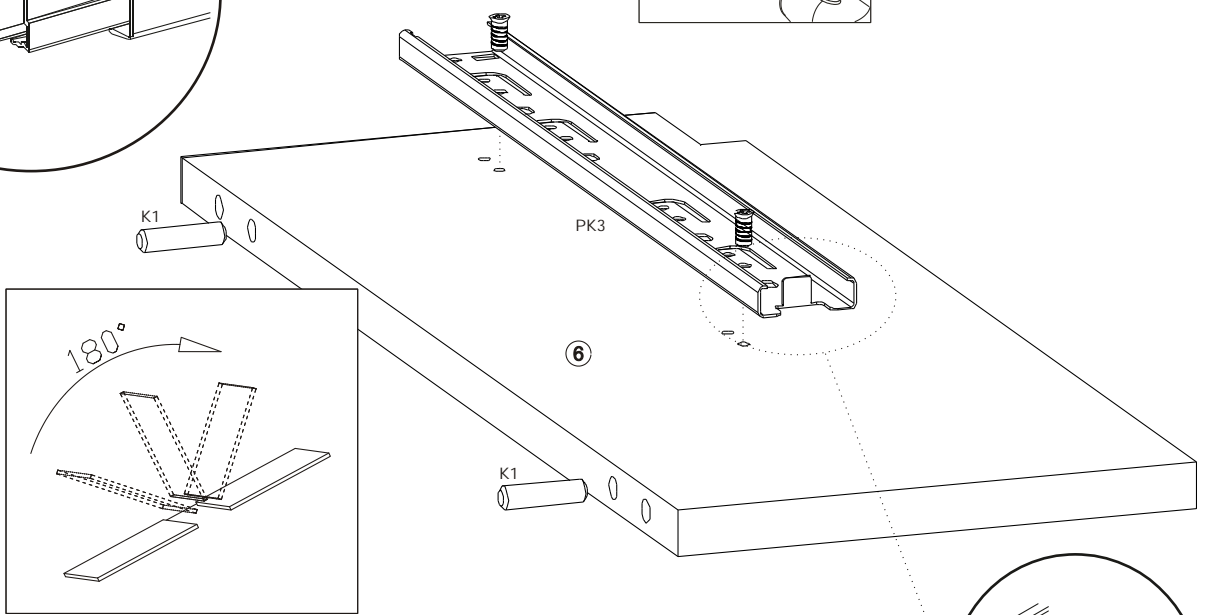
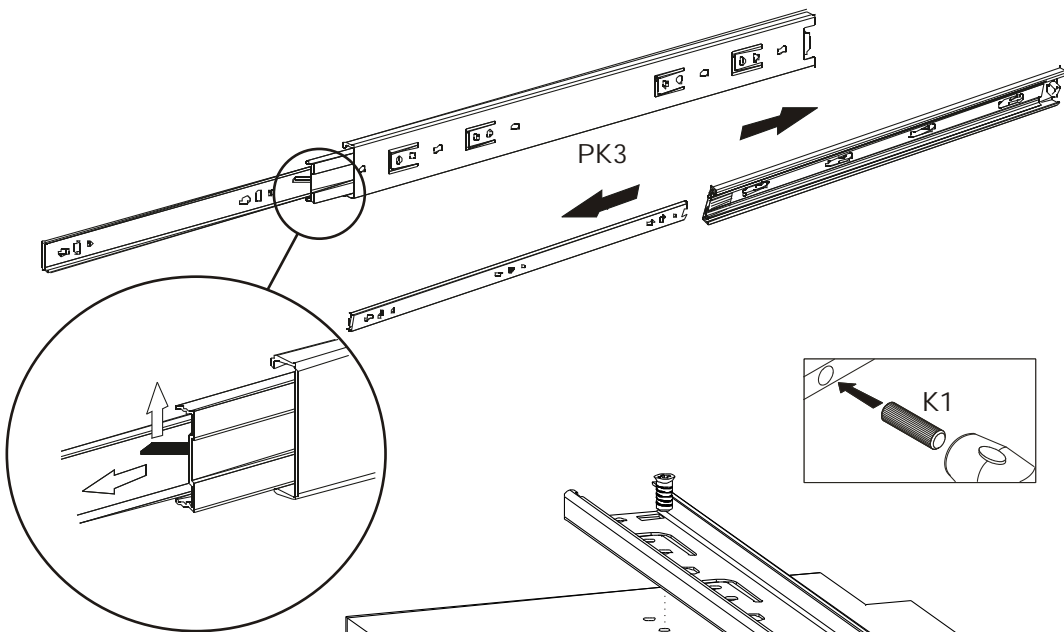
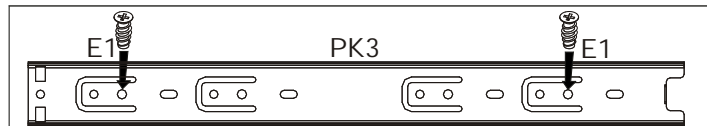
# 12 ▶



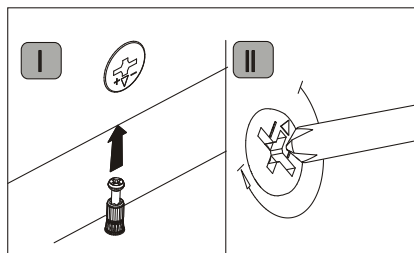
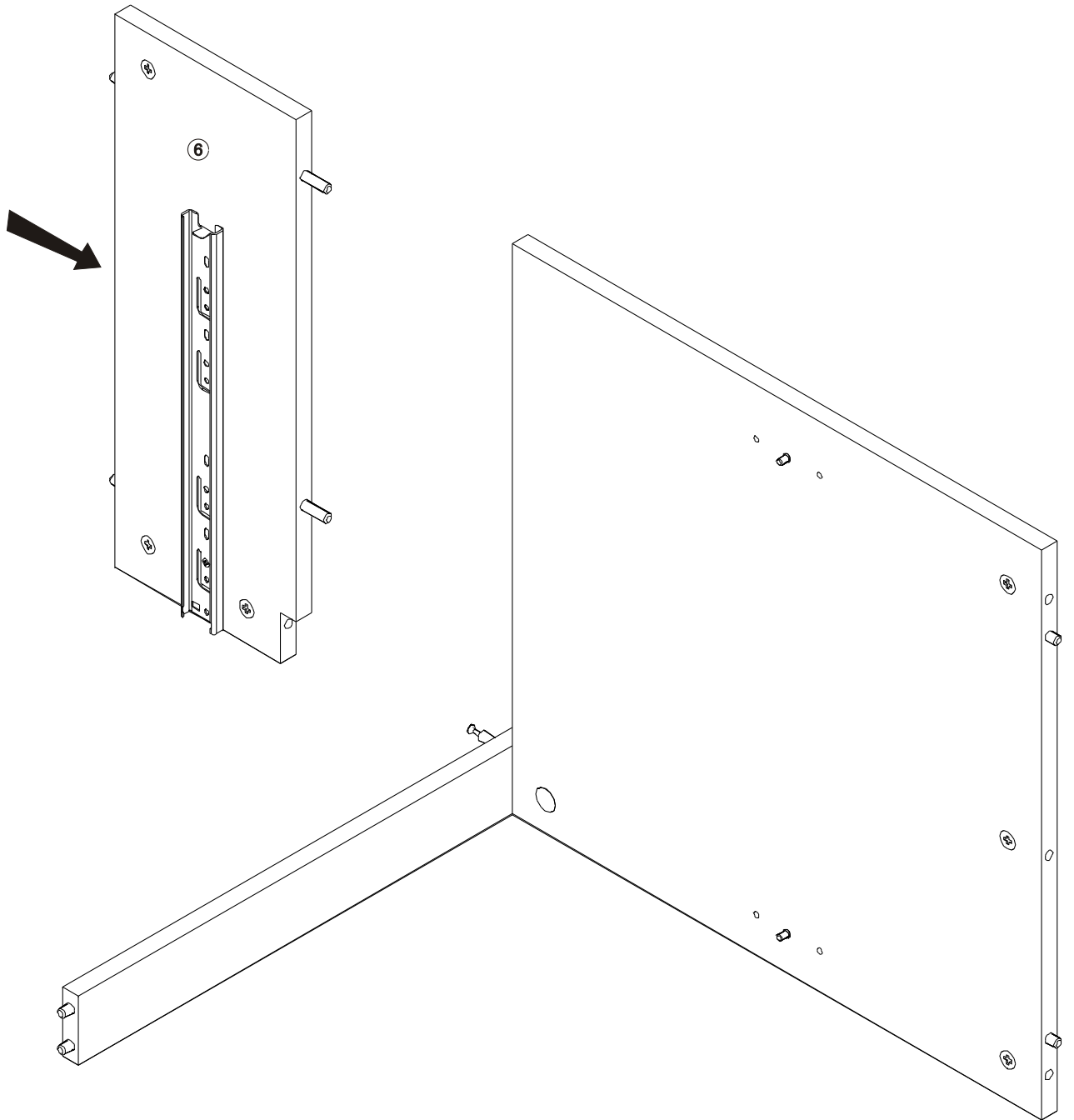
# 13 ▶



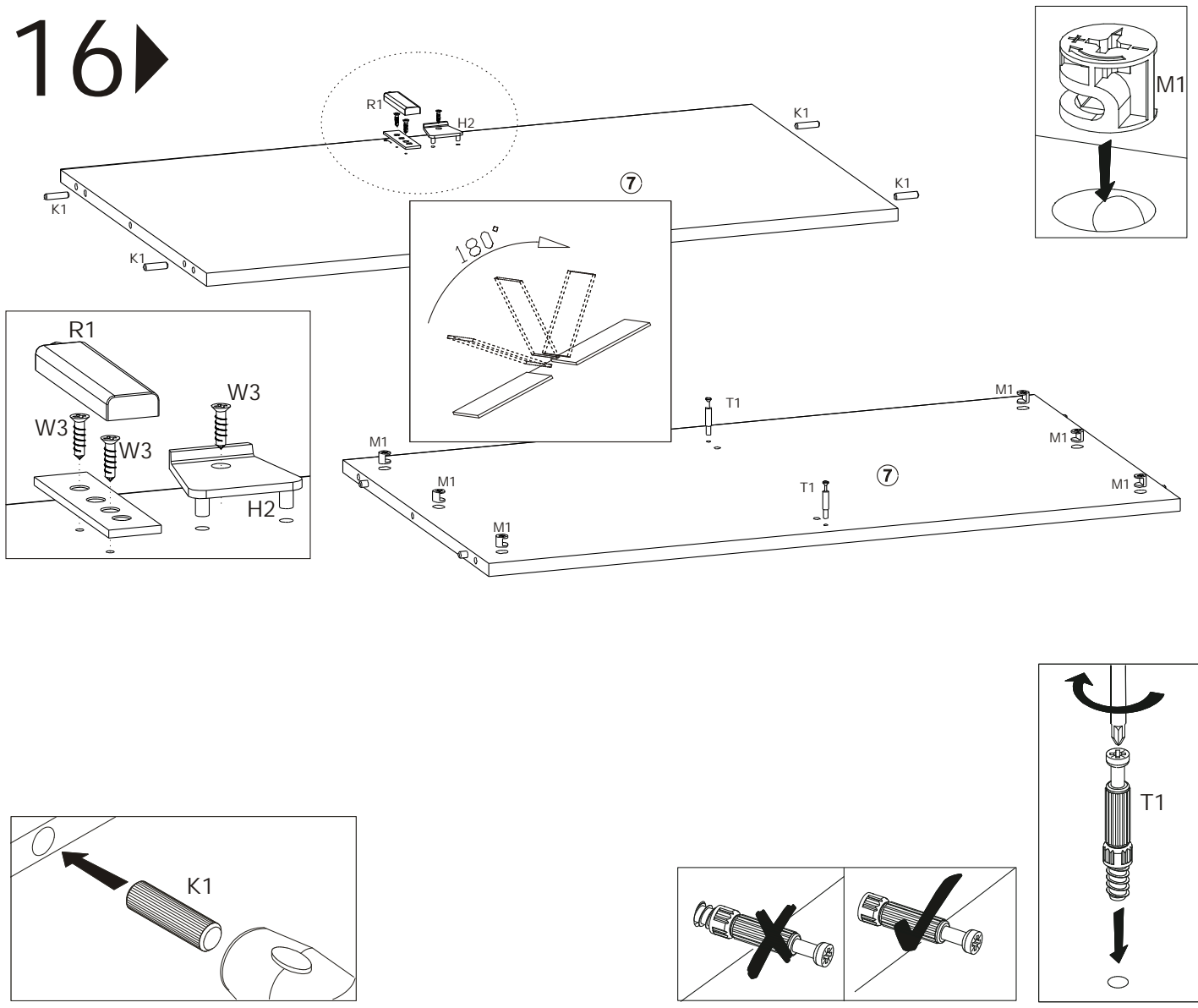
14



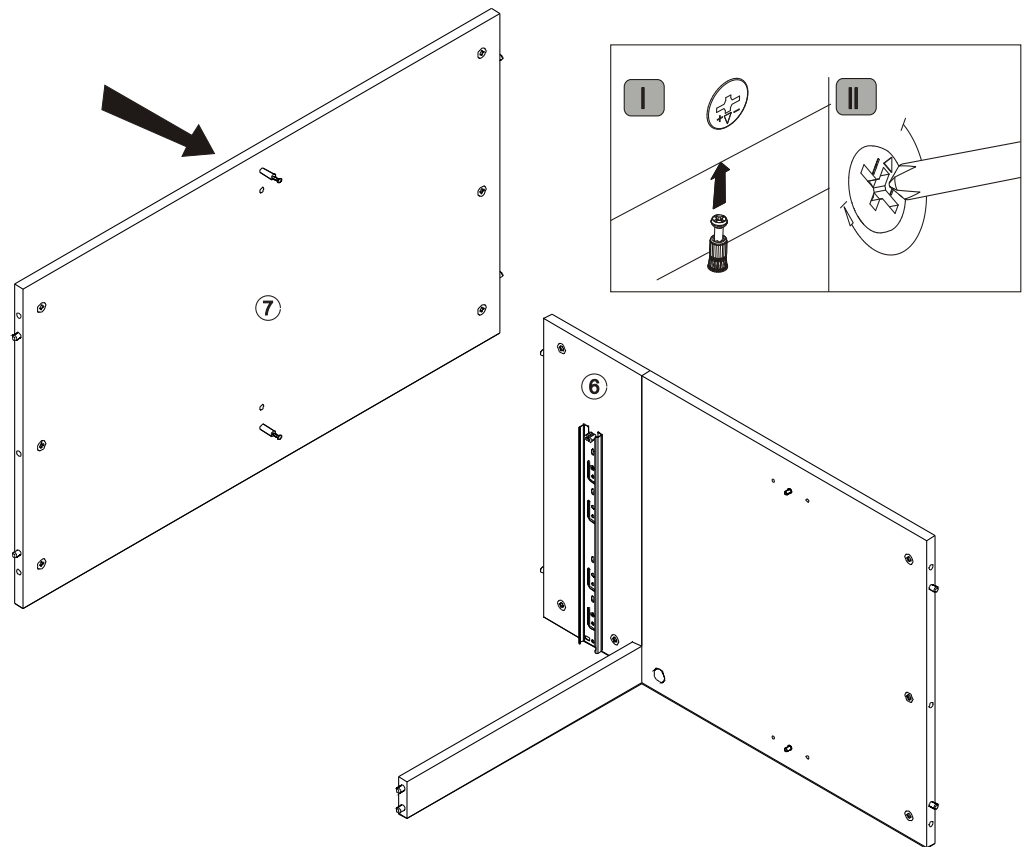
15 ▶



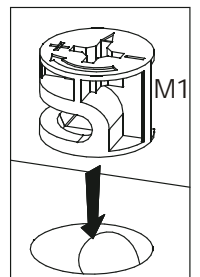
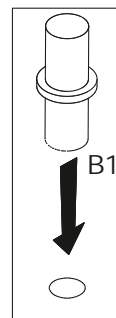
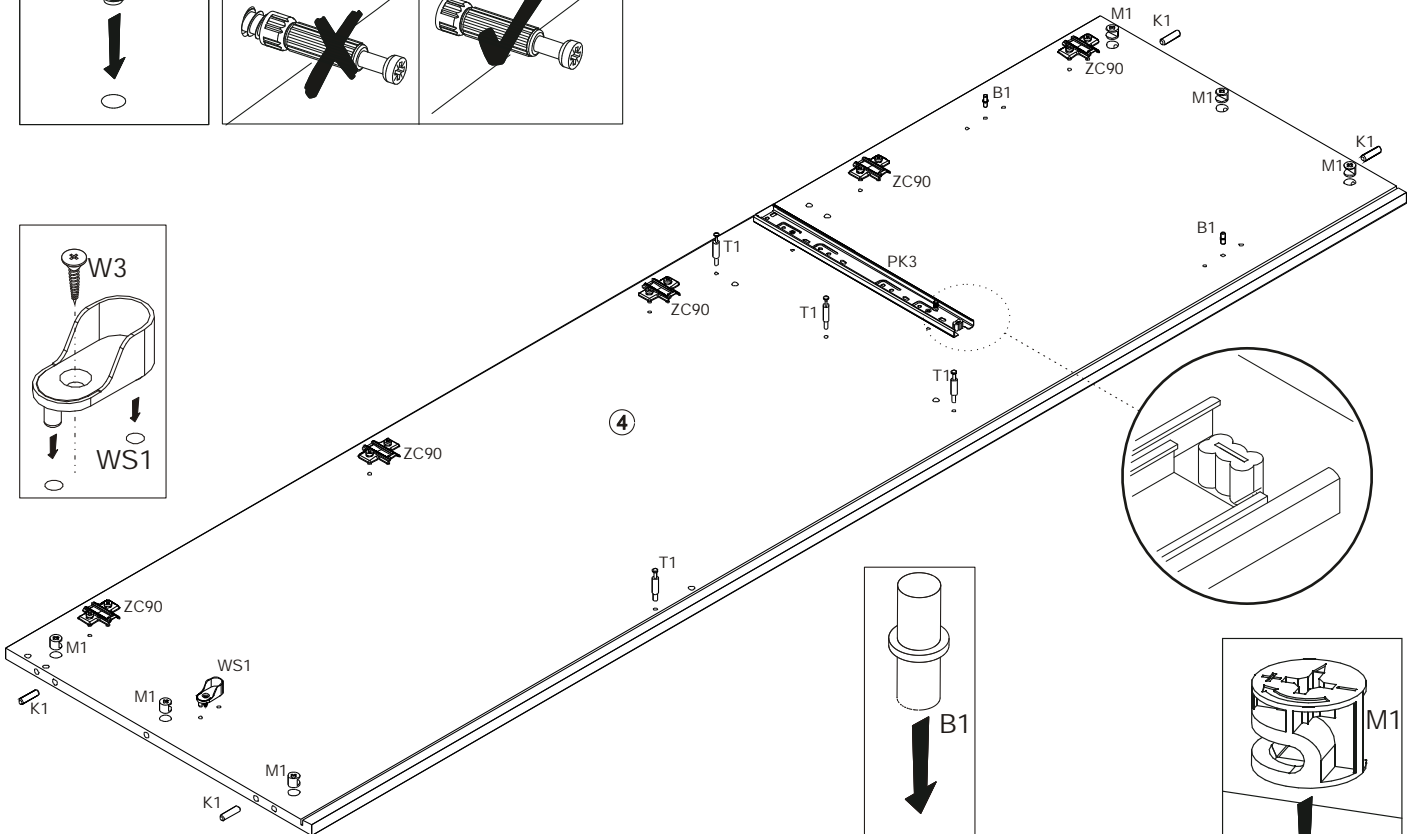
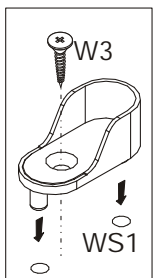
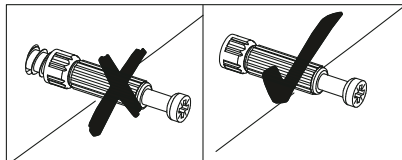
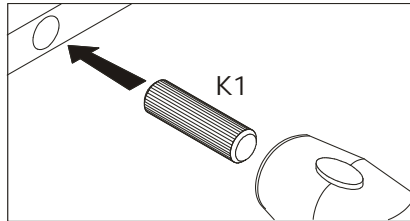
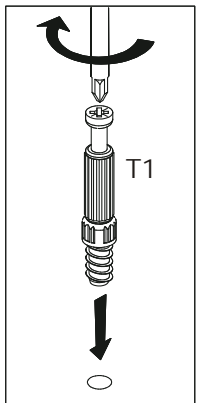
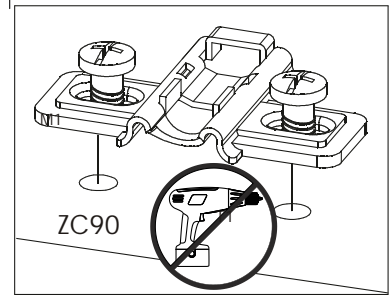
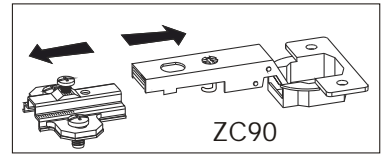
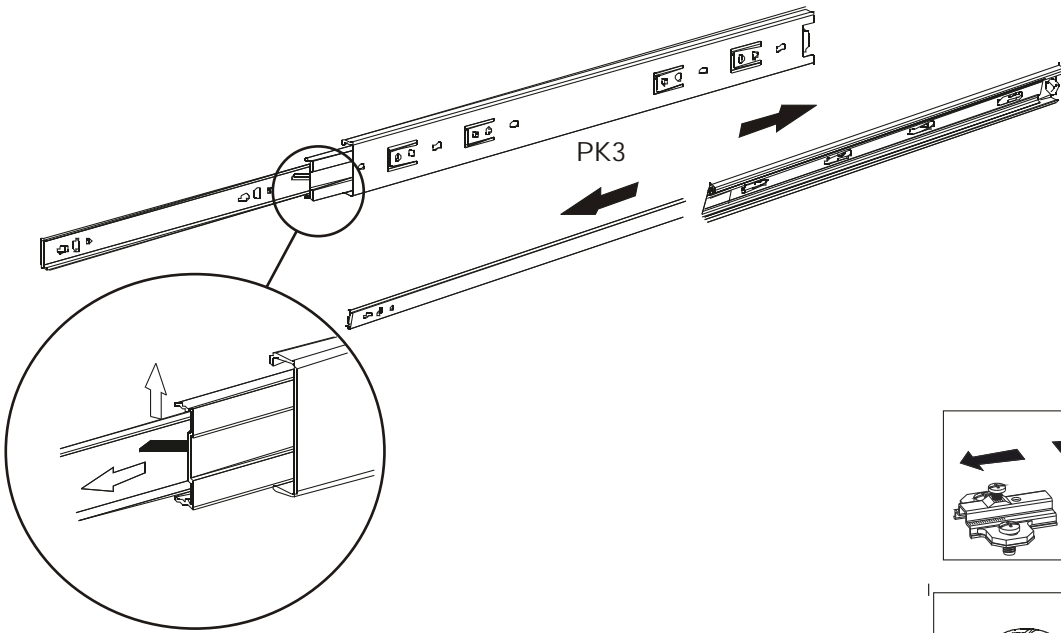
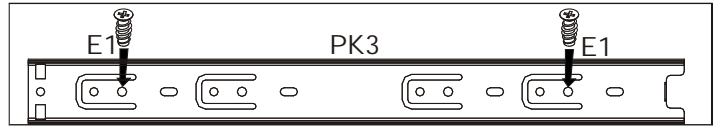
# 16 ▶



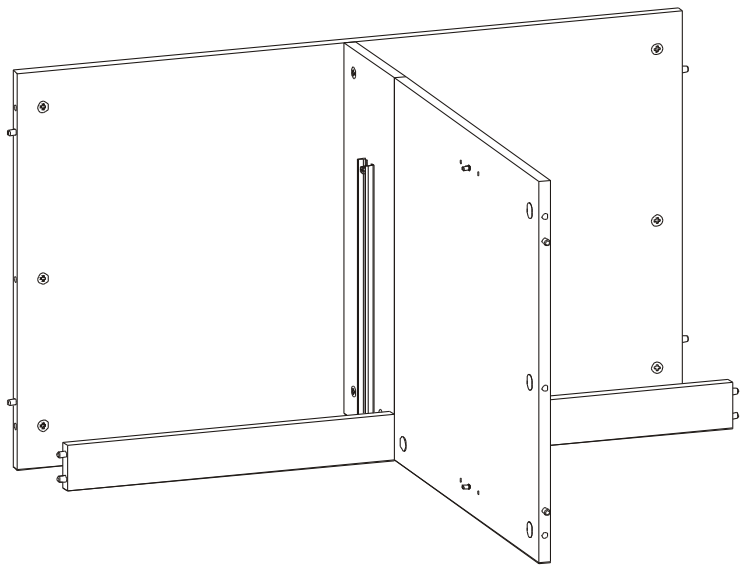
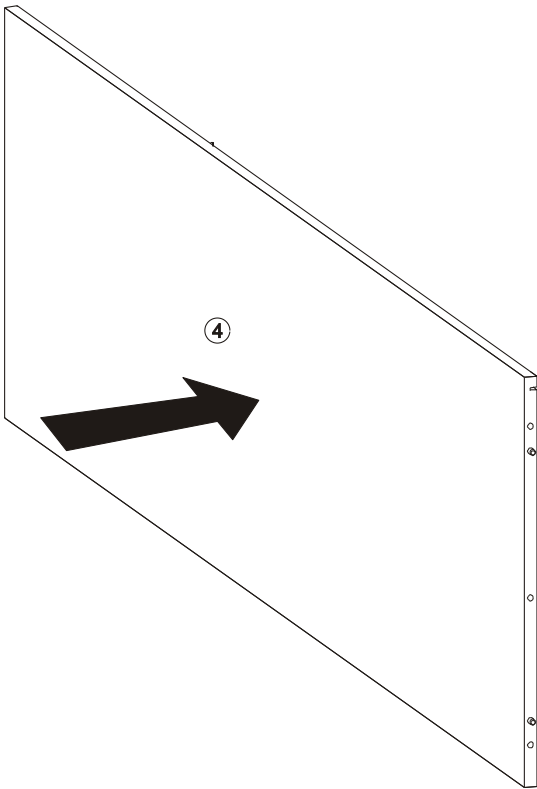
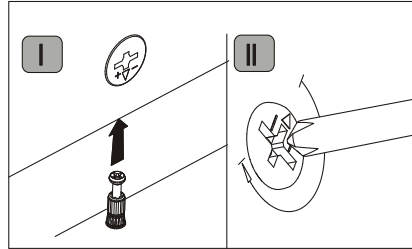
# 17 ▶



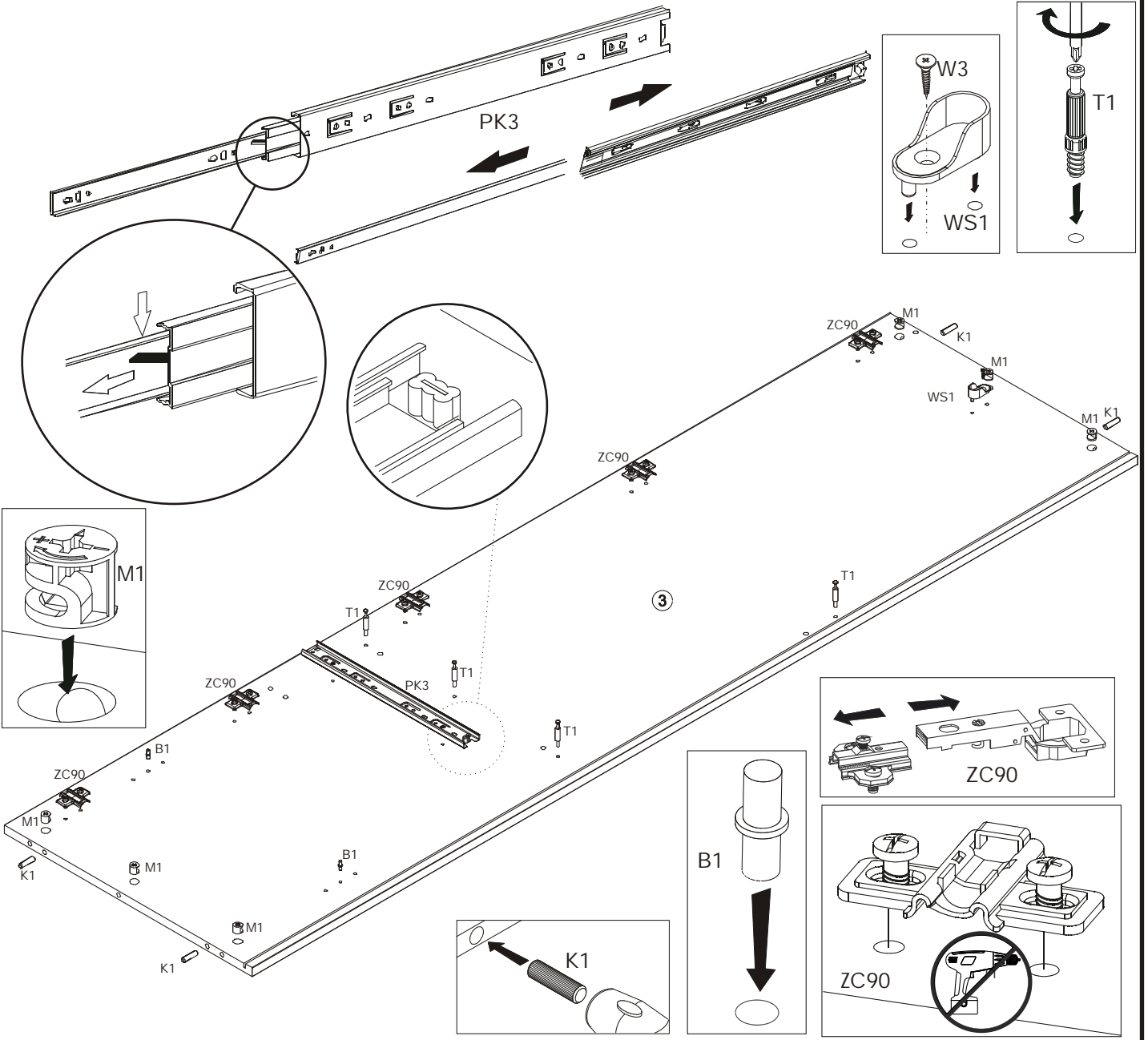
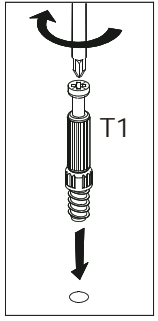
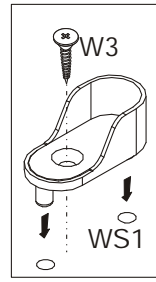
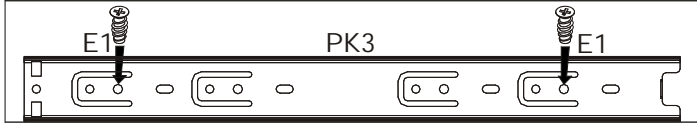
# 18 ▶



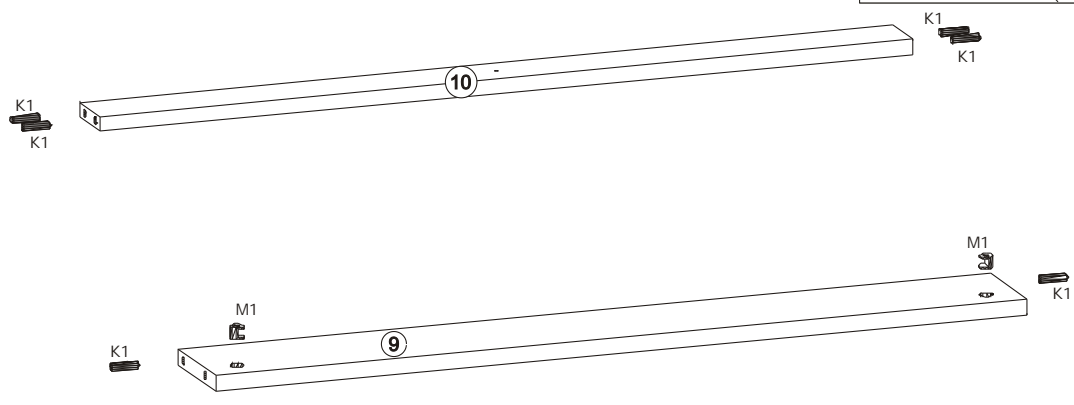
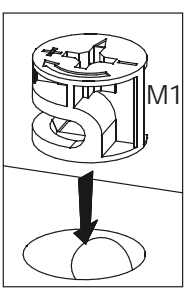
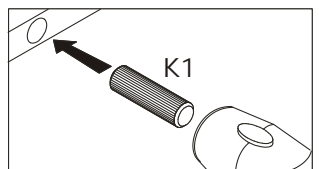
19▶



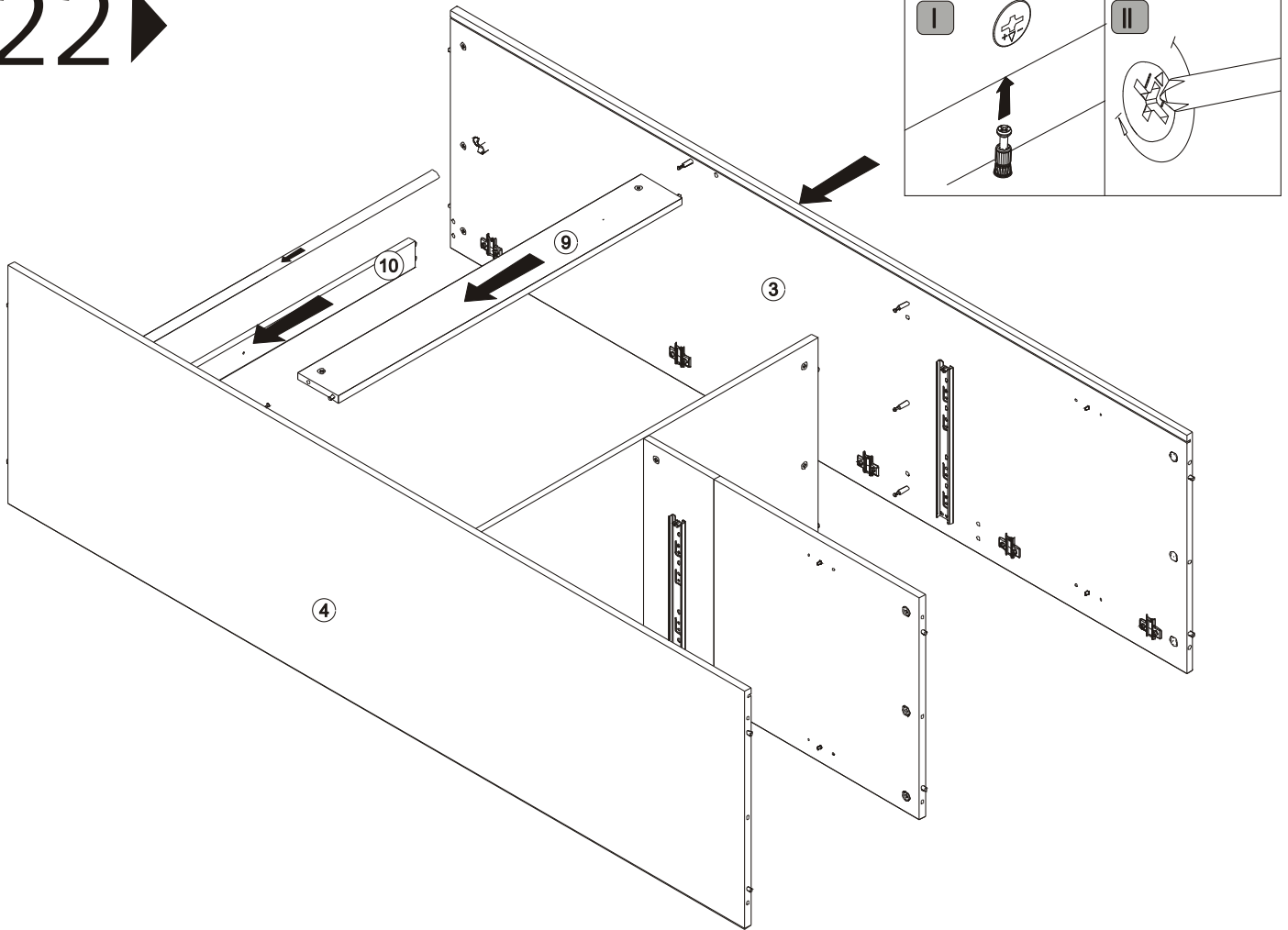
# 20 ▶



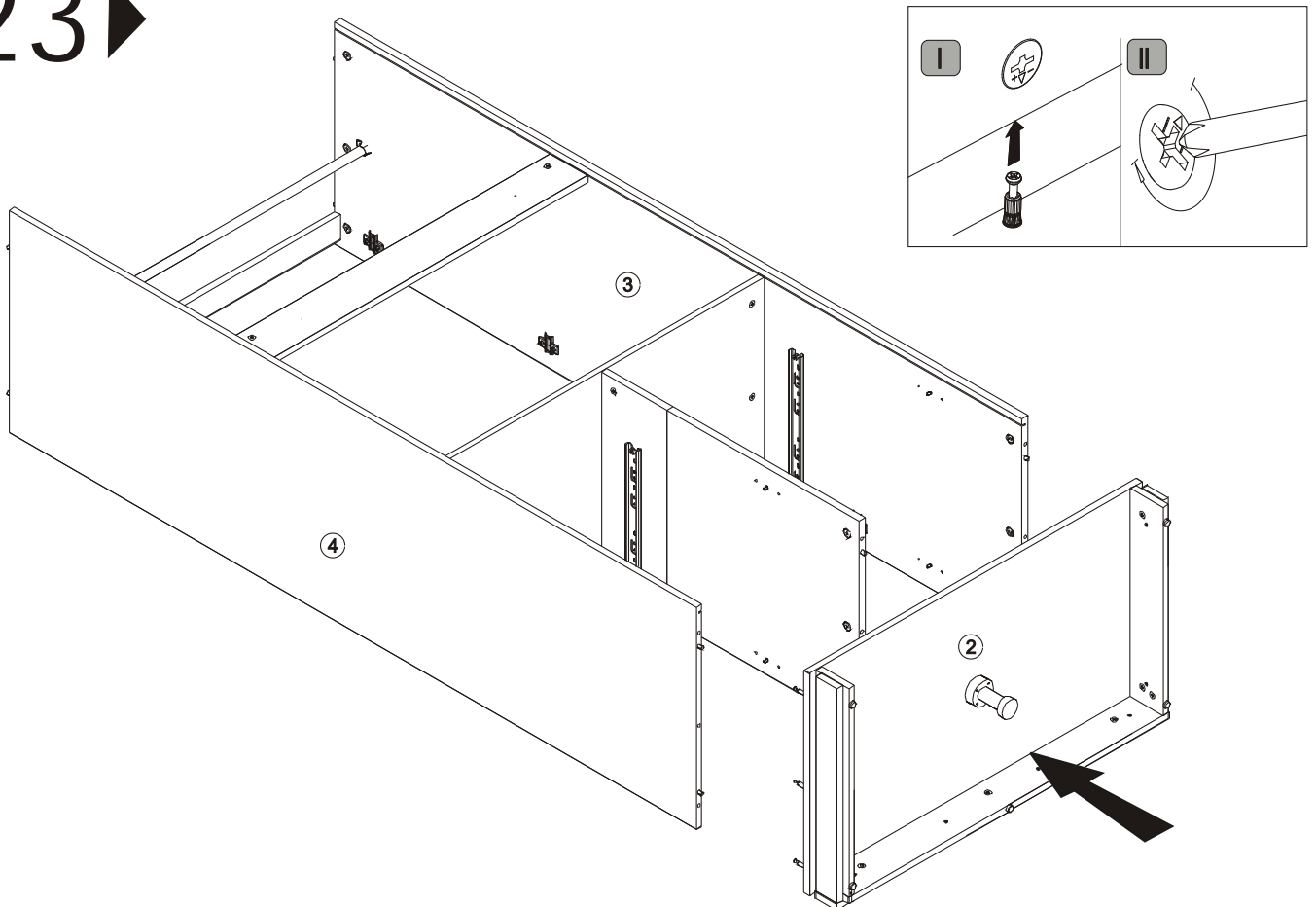
# 21 ▶



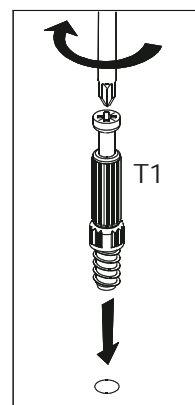
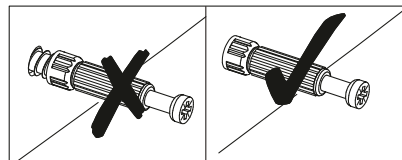
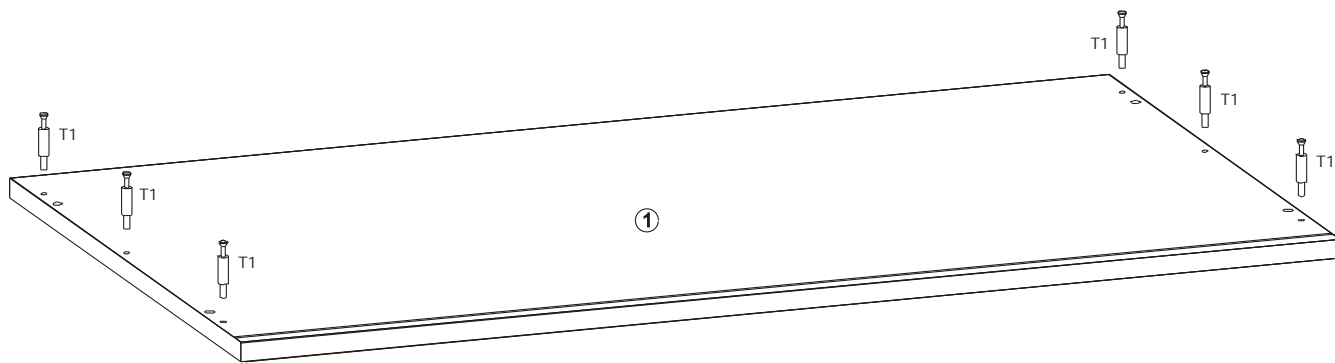
# 22 ▶



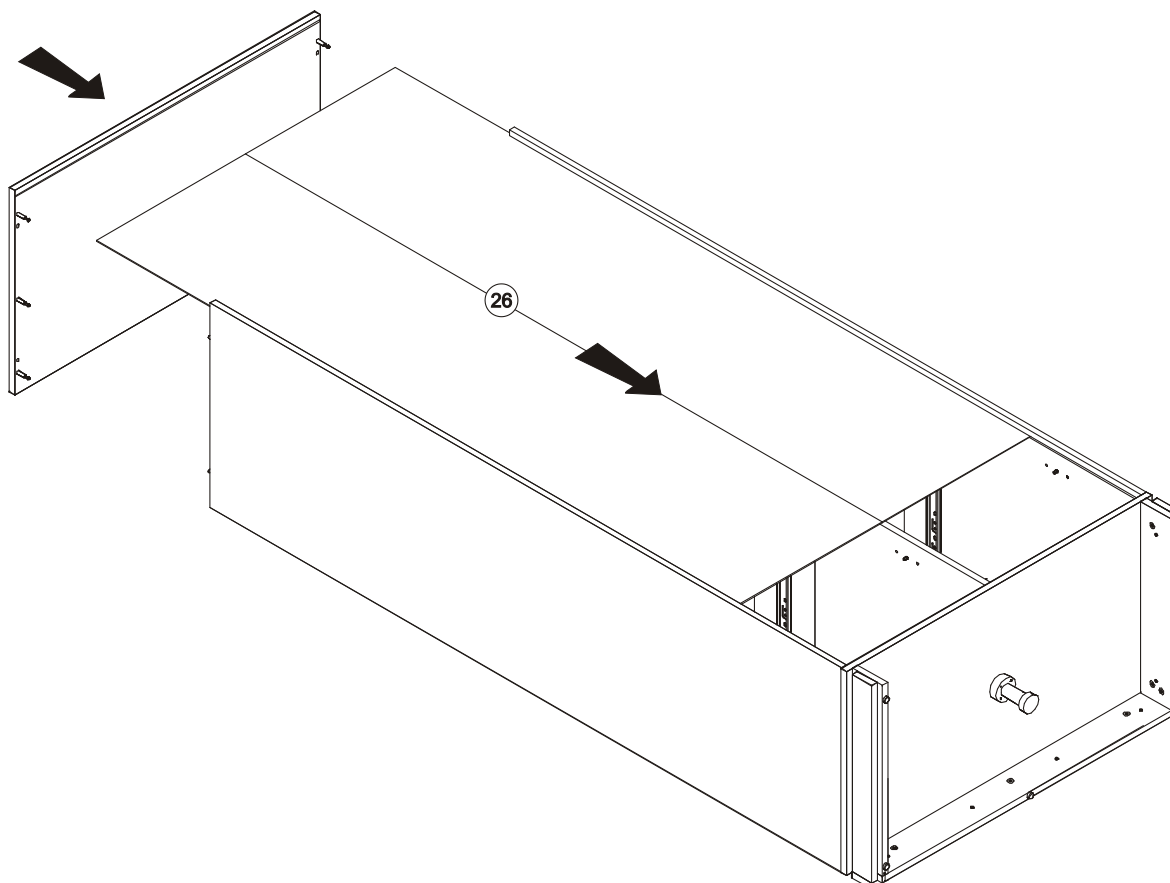
# 23 ▶



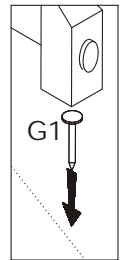
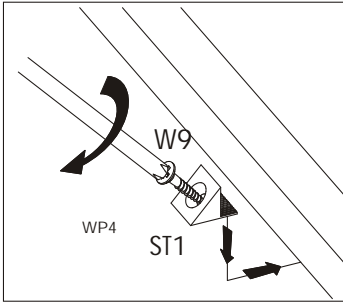
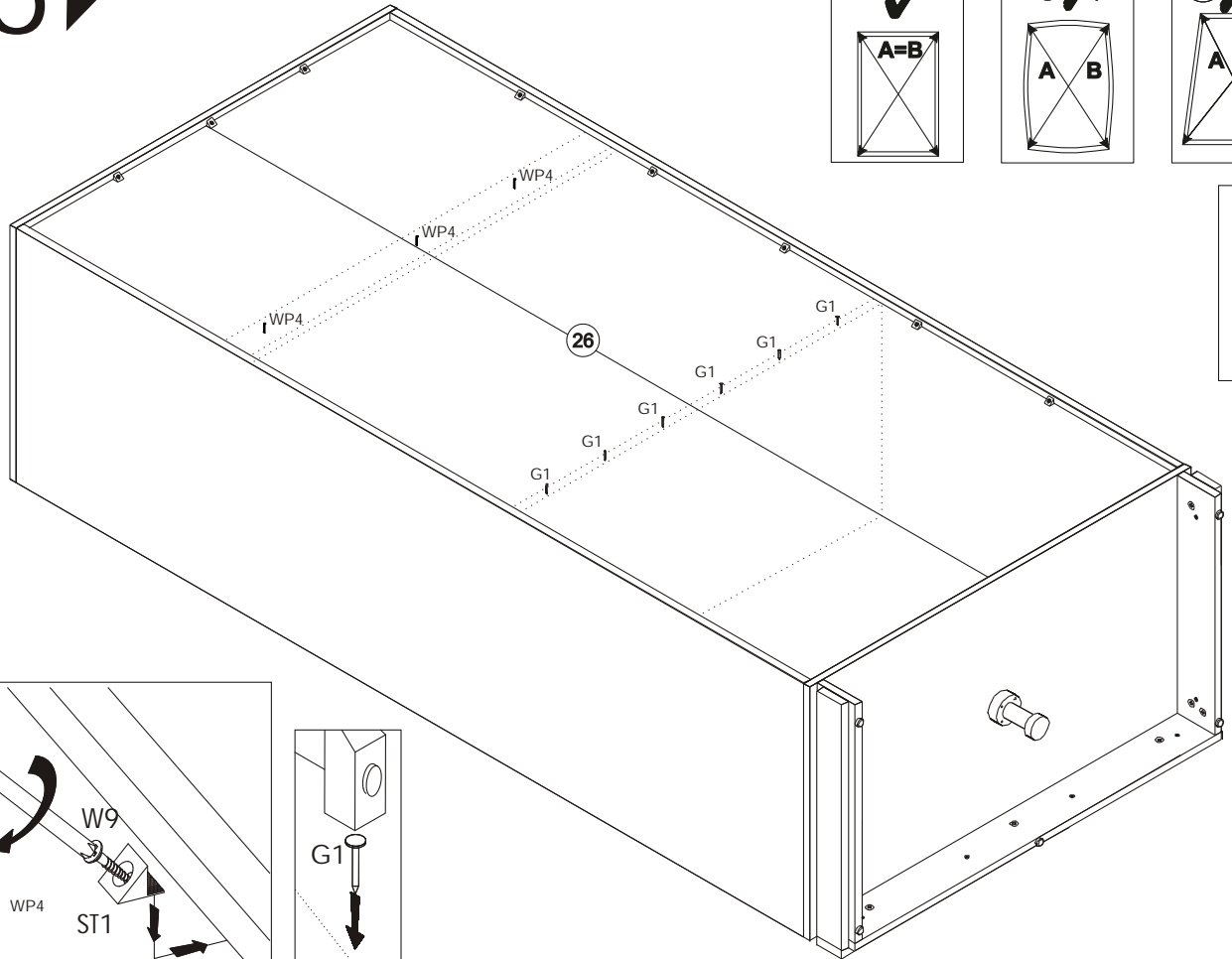
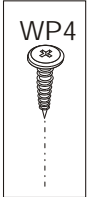
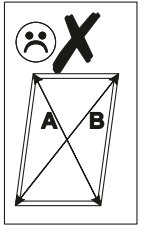
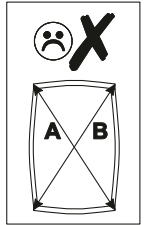
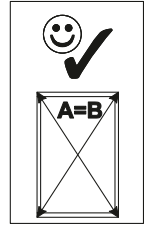
# 24 ▶



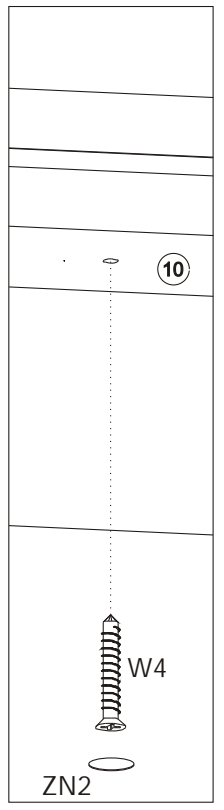
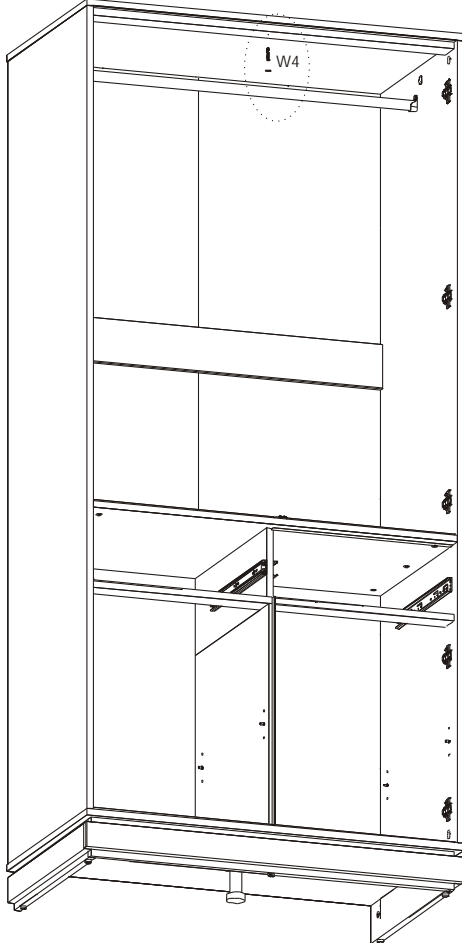
# 25 ▶

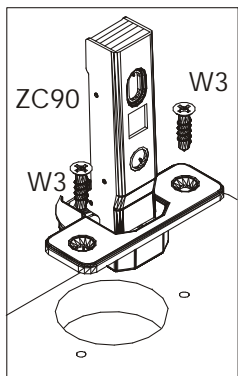
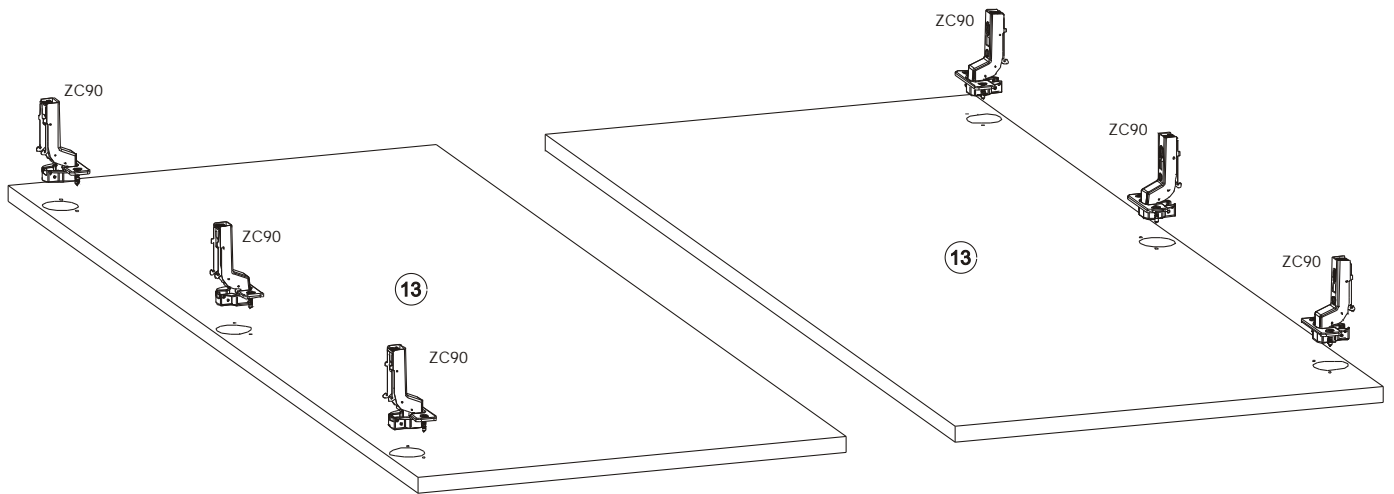
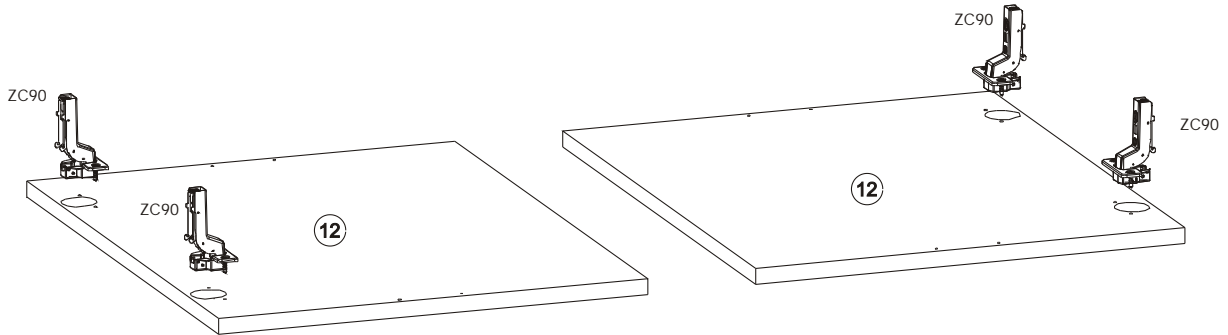


# 26 ▶

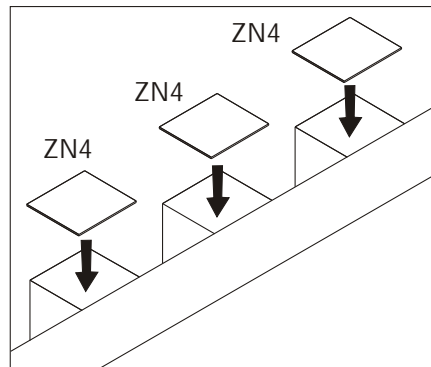
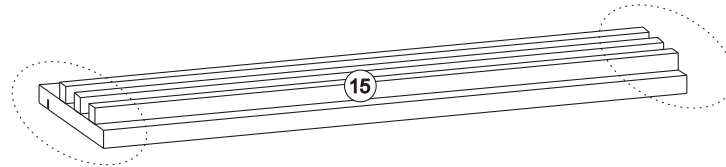
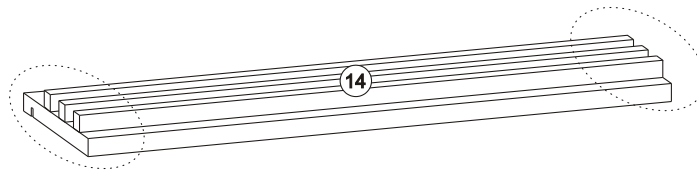


# 27 ▶

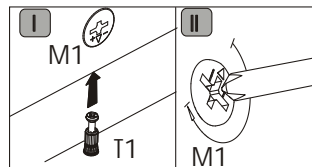




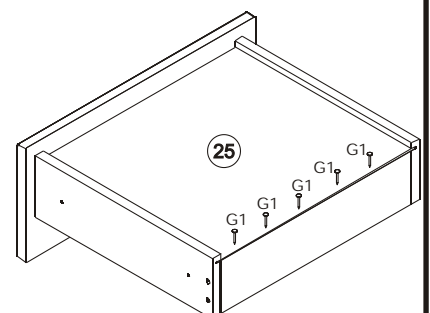
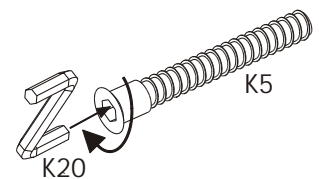
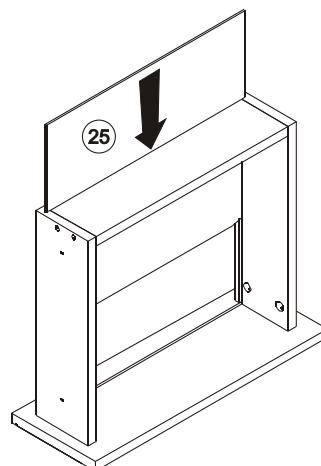
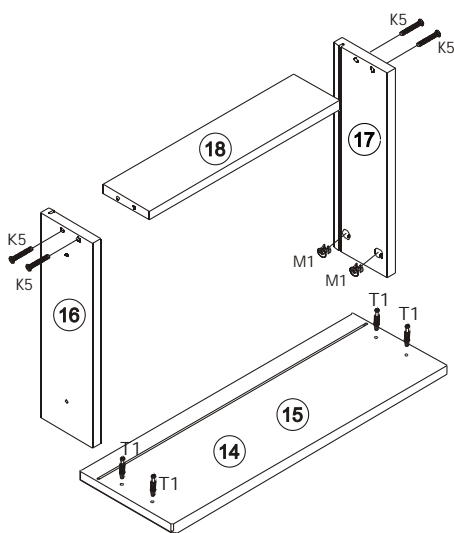
# 29 ▶



# 30 ▶



x2



# 31 ▶

