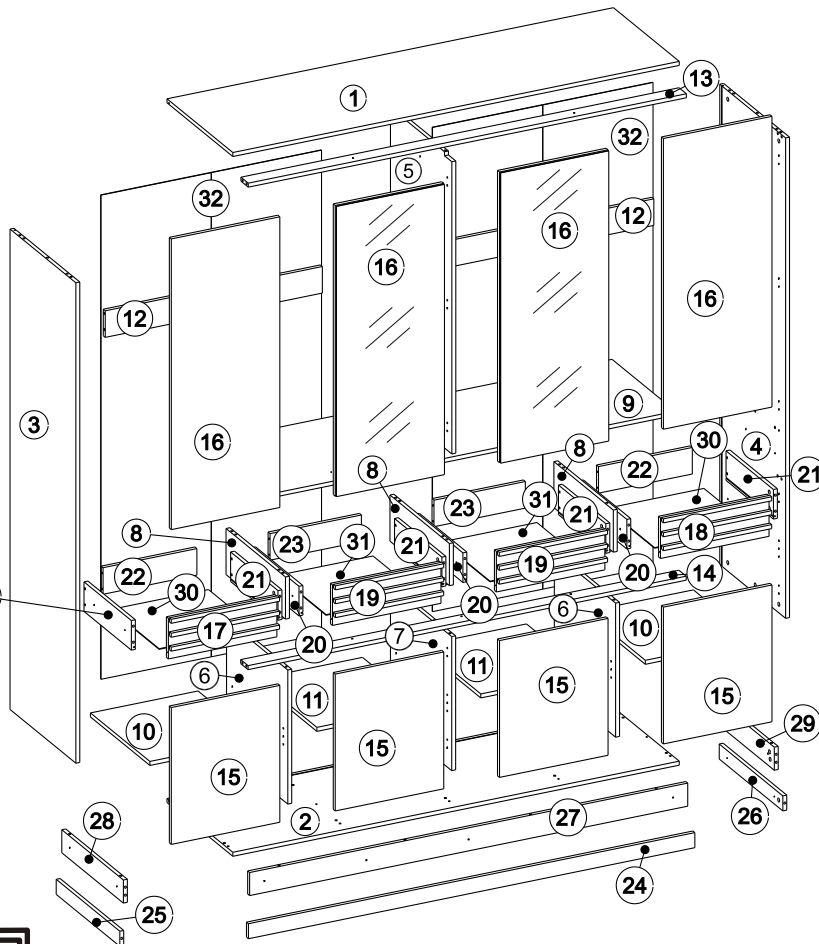
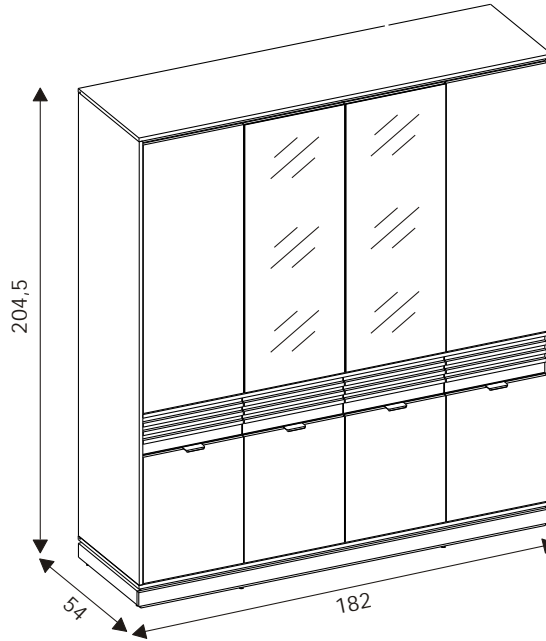
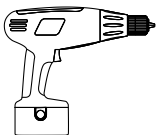
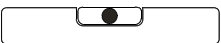
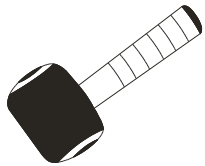
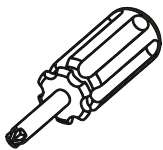
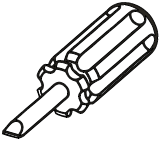
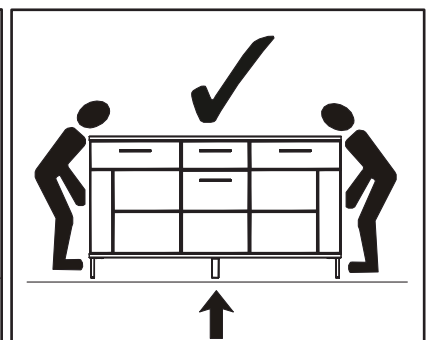
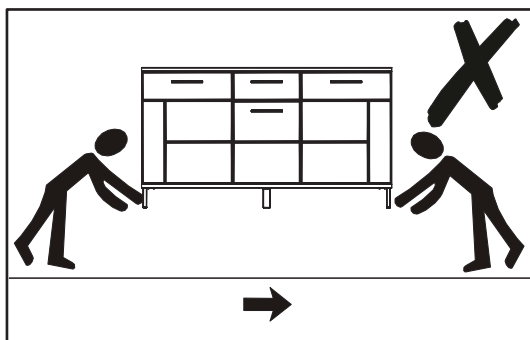
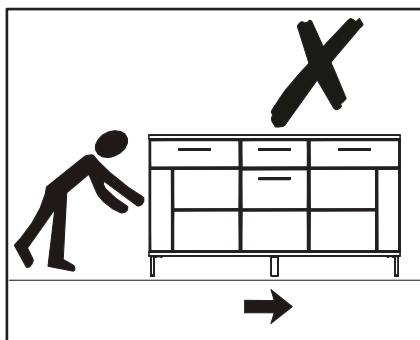
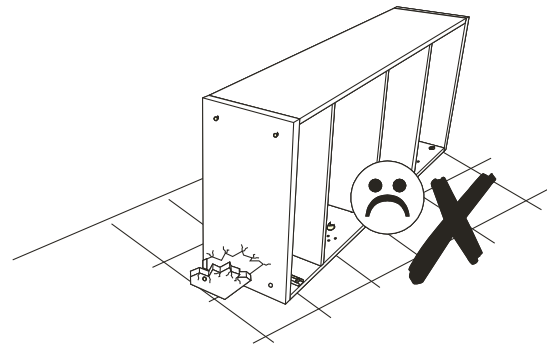
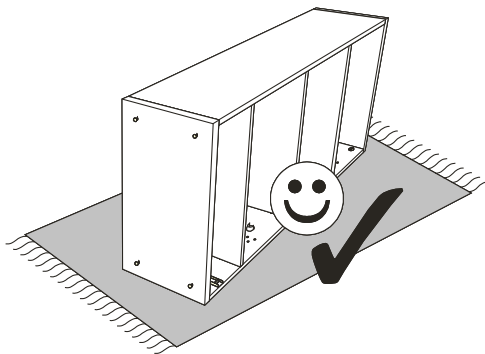
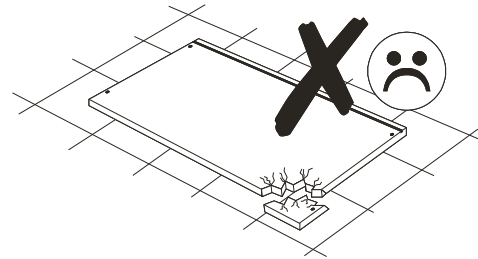
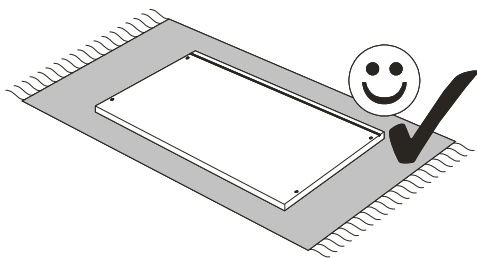
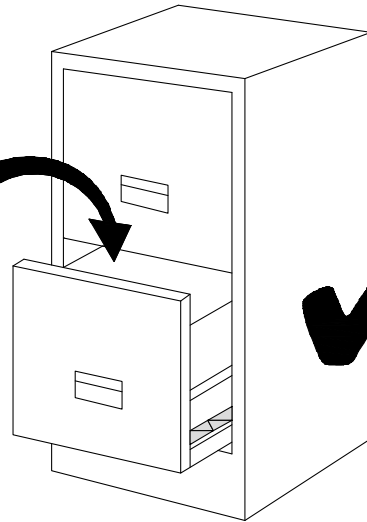
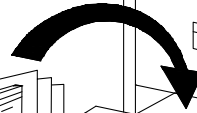
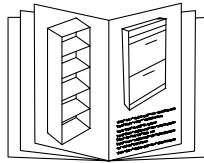
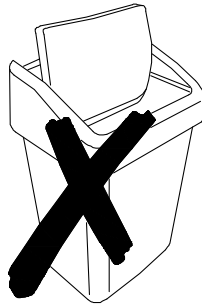
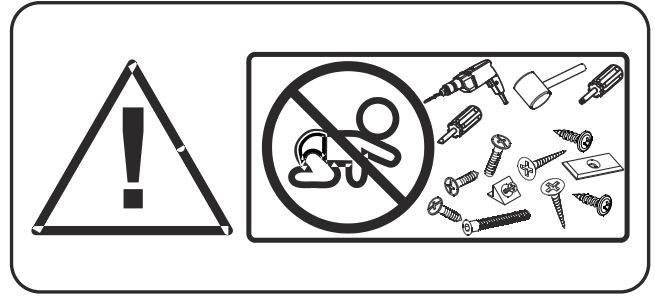


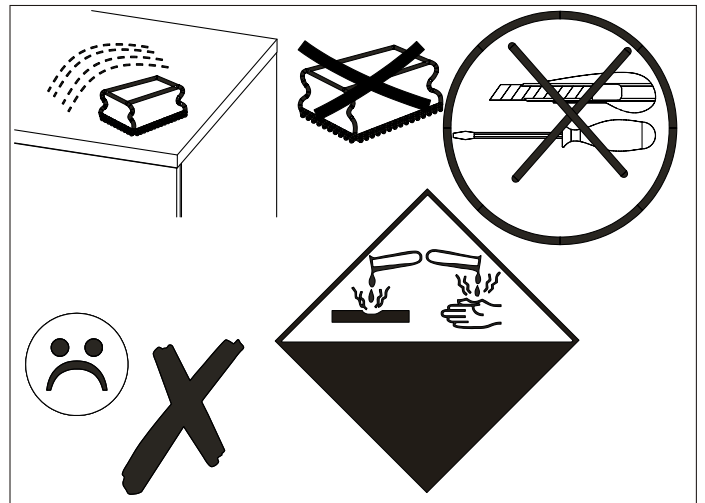
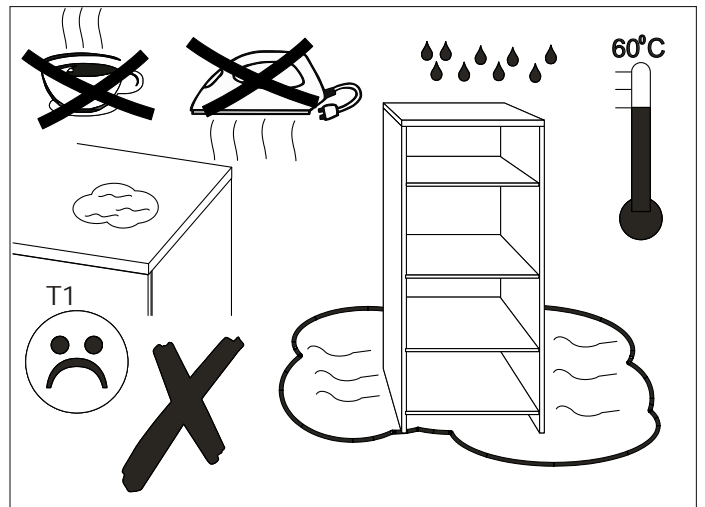
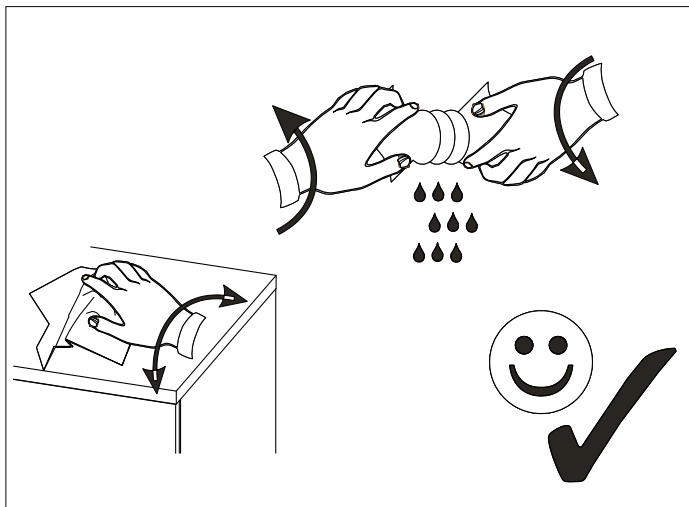
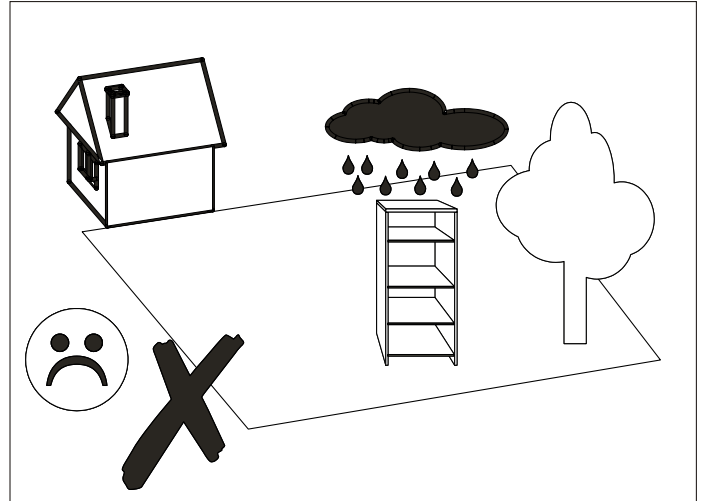
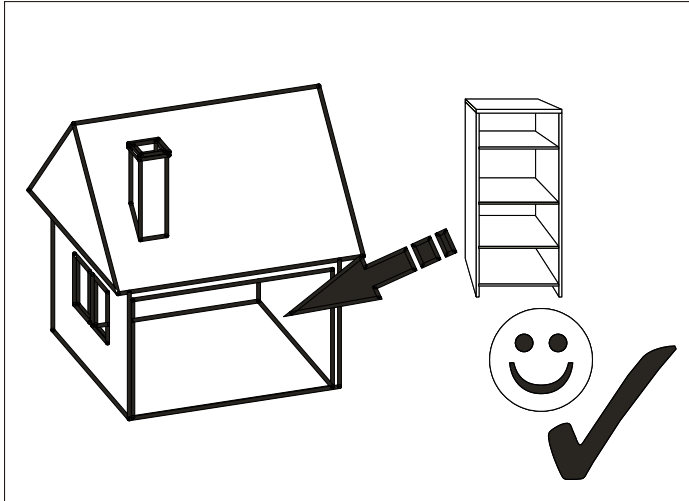
MODEL: FE11

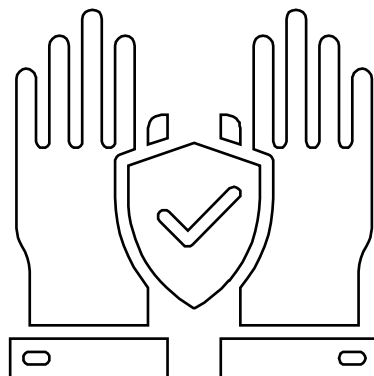
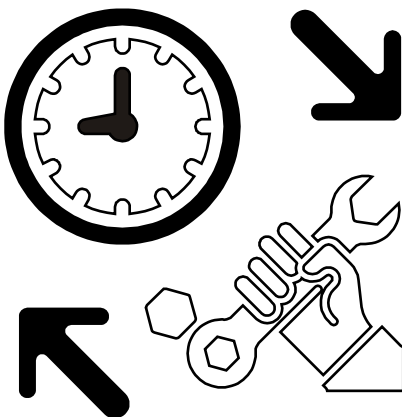
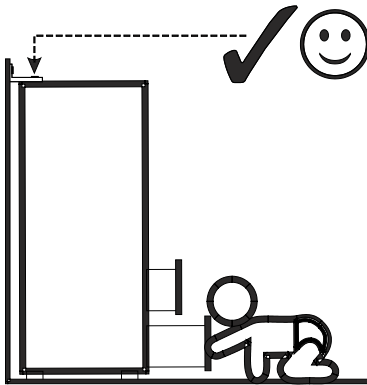
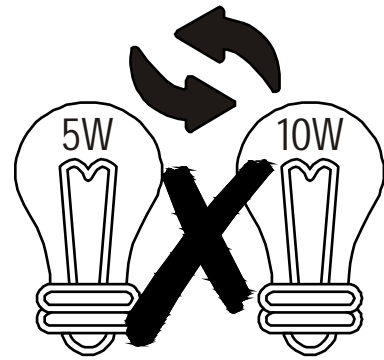
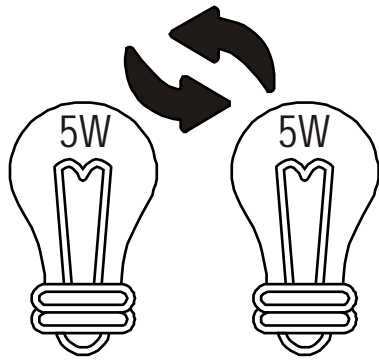
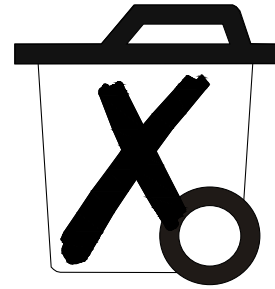
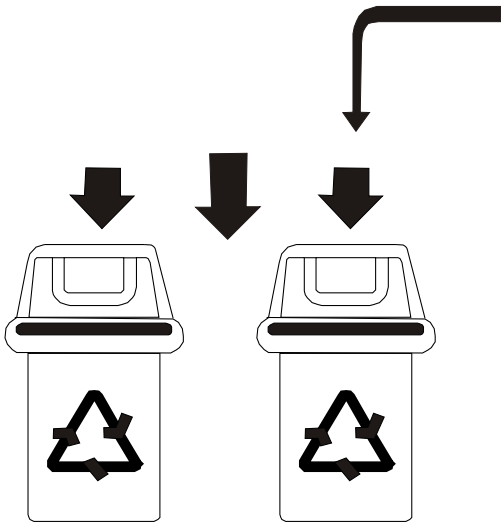
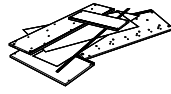
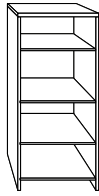


32	1932x898	2/5
31	392x387	2/5
30	392x397	2/5
29	502x92	1/5
28	502x92	1/5
27	1784x92	1/5
26	518x60	1/5
25	518x60	1/5
24	1818x60	1/5
23	372x106	4/5
22	382x106	4/5
21	386x118	4/5
20	386x118	4/5
19	442x162	5/5
18	442x162	5/5
17	442x162	5/5
16	1160x442	4/5
15	546x442	5/5
14	1784x60	1/5
13	1784x60	1/5
12	884x106	1/5
11	428x484	3/5
10	438x484	3/5
9	1784x518	1/5
8	184x484	2/5
7	535x499	3/5
6	535x499	3/5
5	1182x500	2/5
4	1917x536	2/5
3	1917x536	2/5
2	1818x536	1/5
1	1818x536	1/5

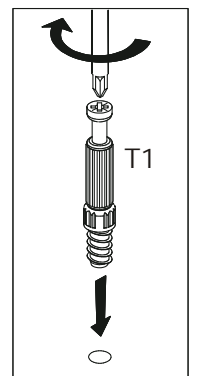
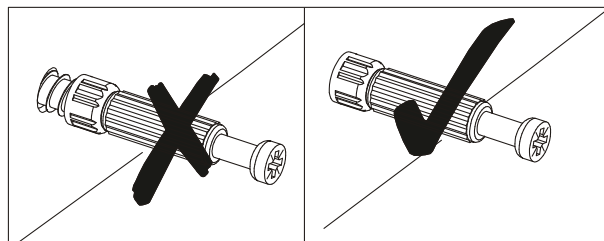
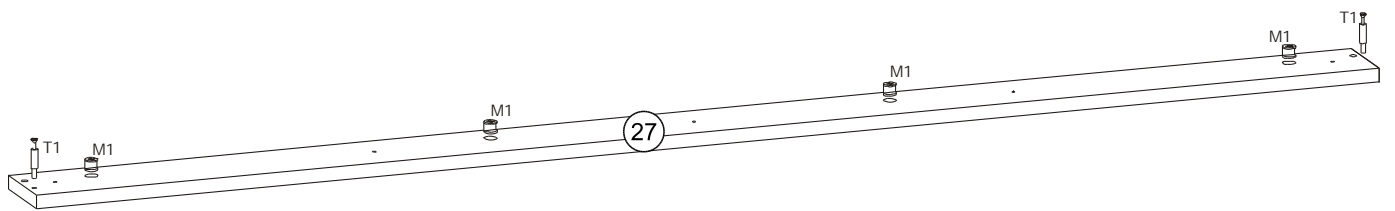
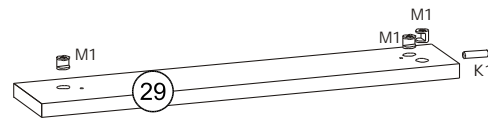
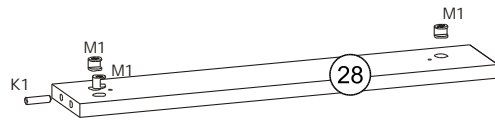
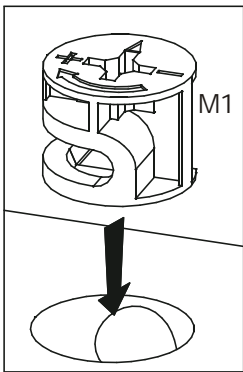
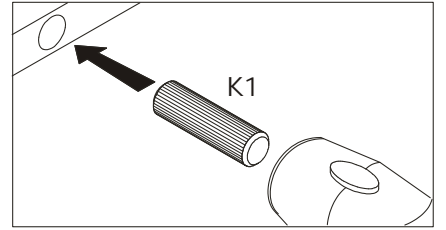
20x 6.3x11 E7	8x BS1	10x ZC8	1x LK008121S £1	6x 8x50 K2	1x L-877 D1	24x 15x16 ZN4	16x 6.4x50 K5	4kpl. #350 PK3	2x R1	2x N2	2x H2						
44x #20/863 ZN1	60x 3.5x16 W3	22x ST1	4x U1	2x #14/863 ZN2	22x 3x20 W9	10x ZC90	11x 4x30 W4	6x N1	4x WS1	42x 8x30 K1	6x 4x13 WP4	16x B1	75x #15/15 M1	75x DU232T T1	1x K20	34x 2x20 G1	32x 5x11 E1



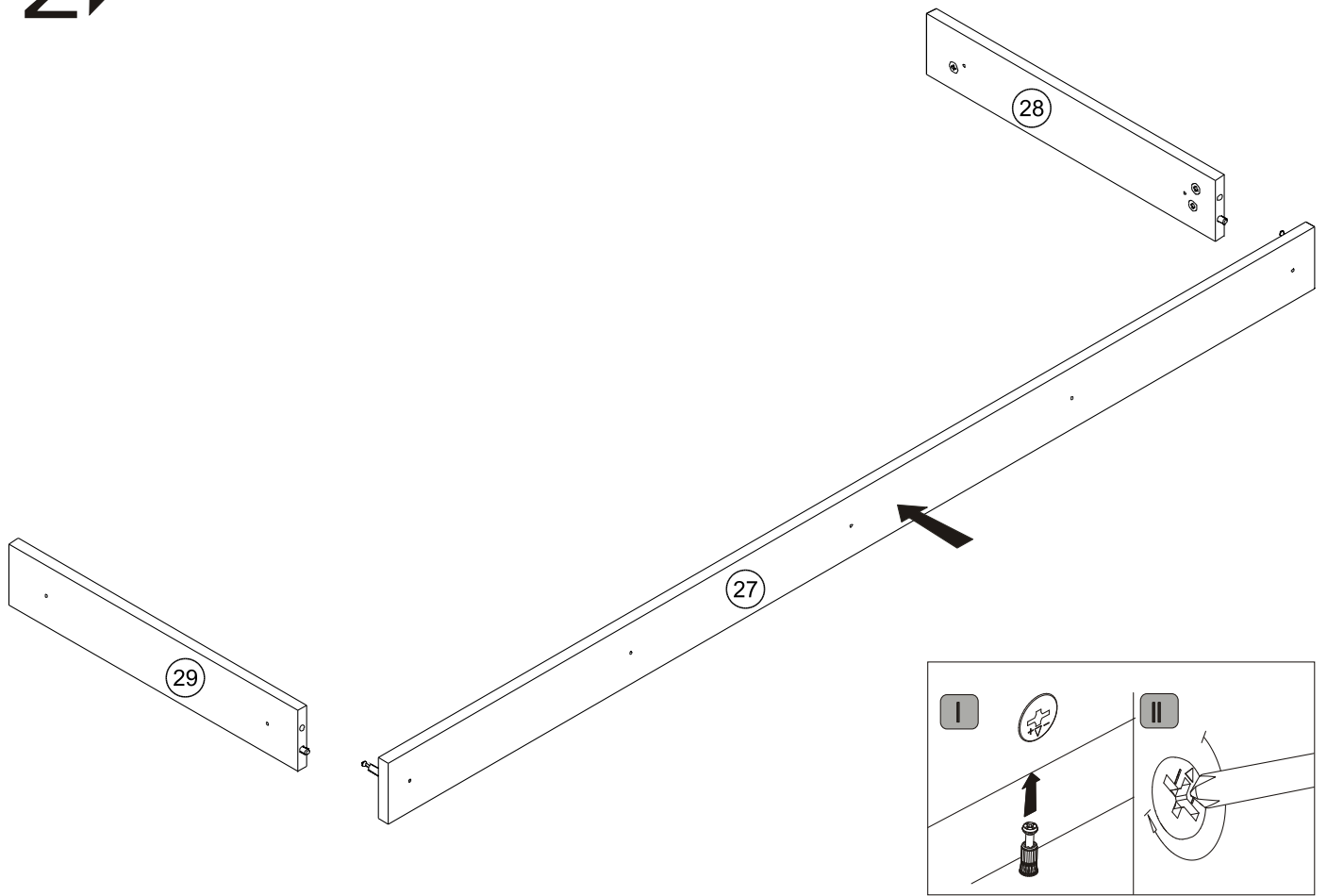




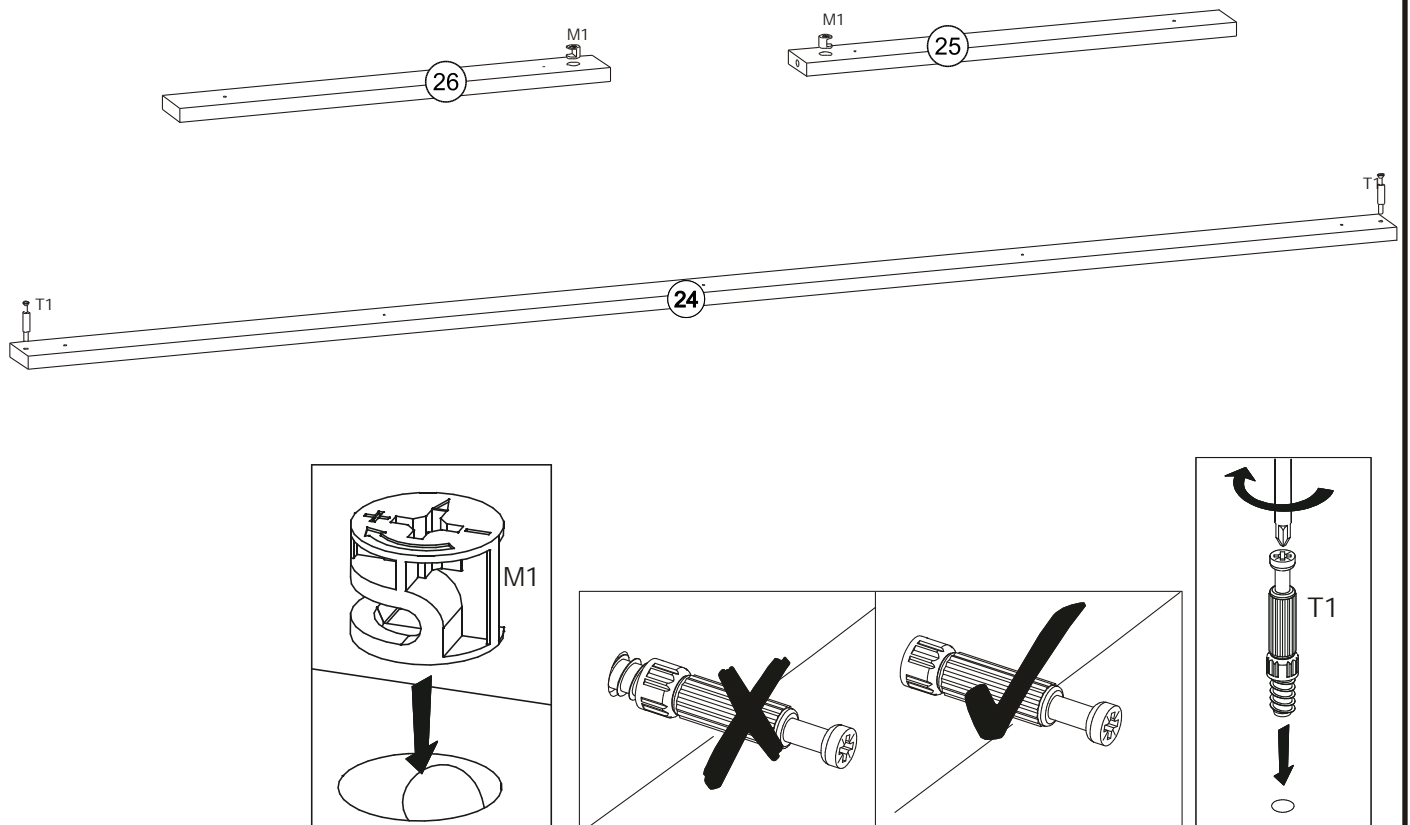
1 ▶



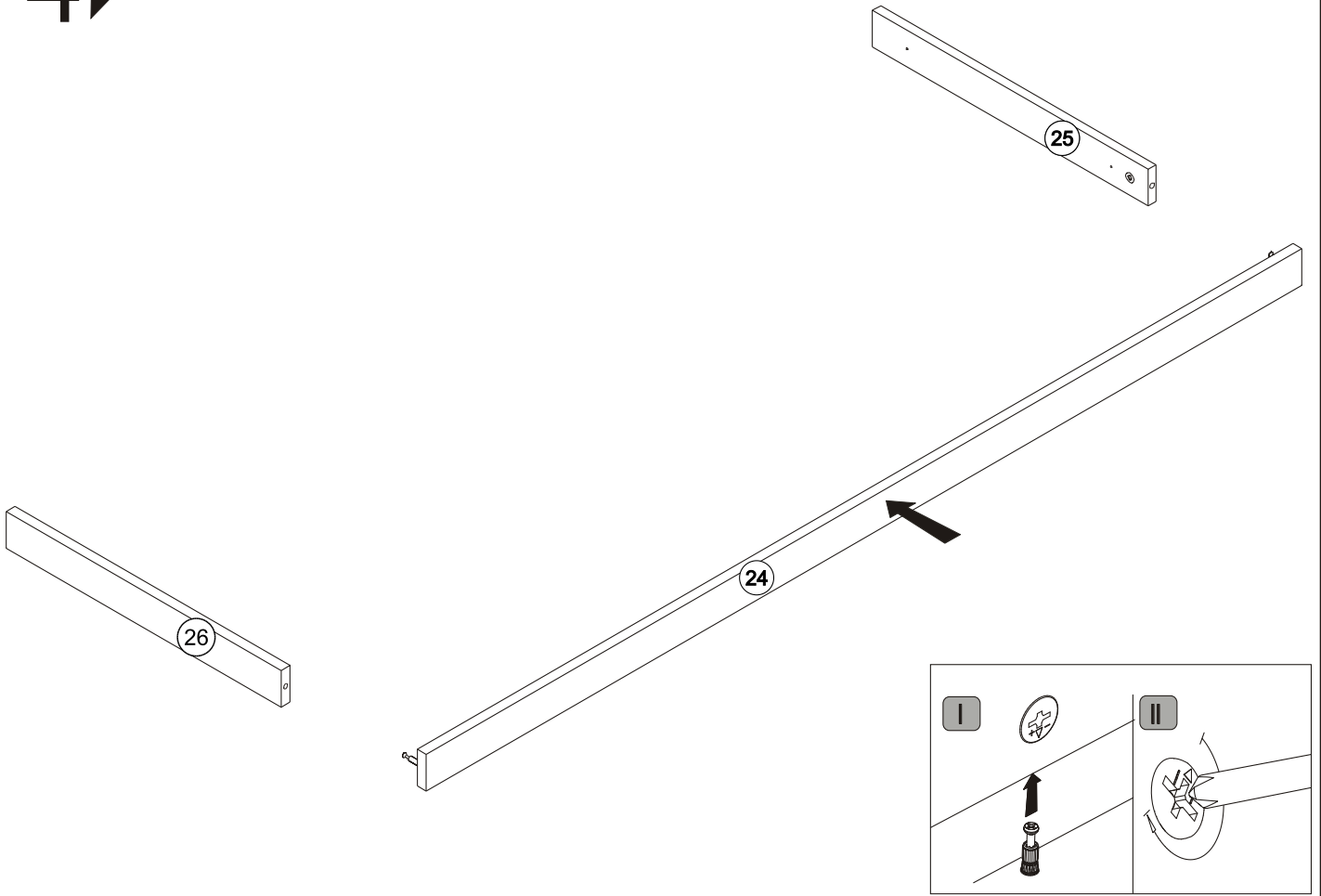
2 ▶



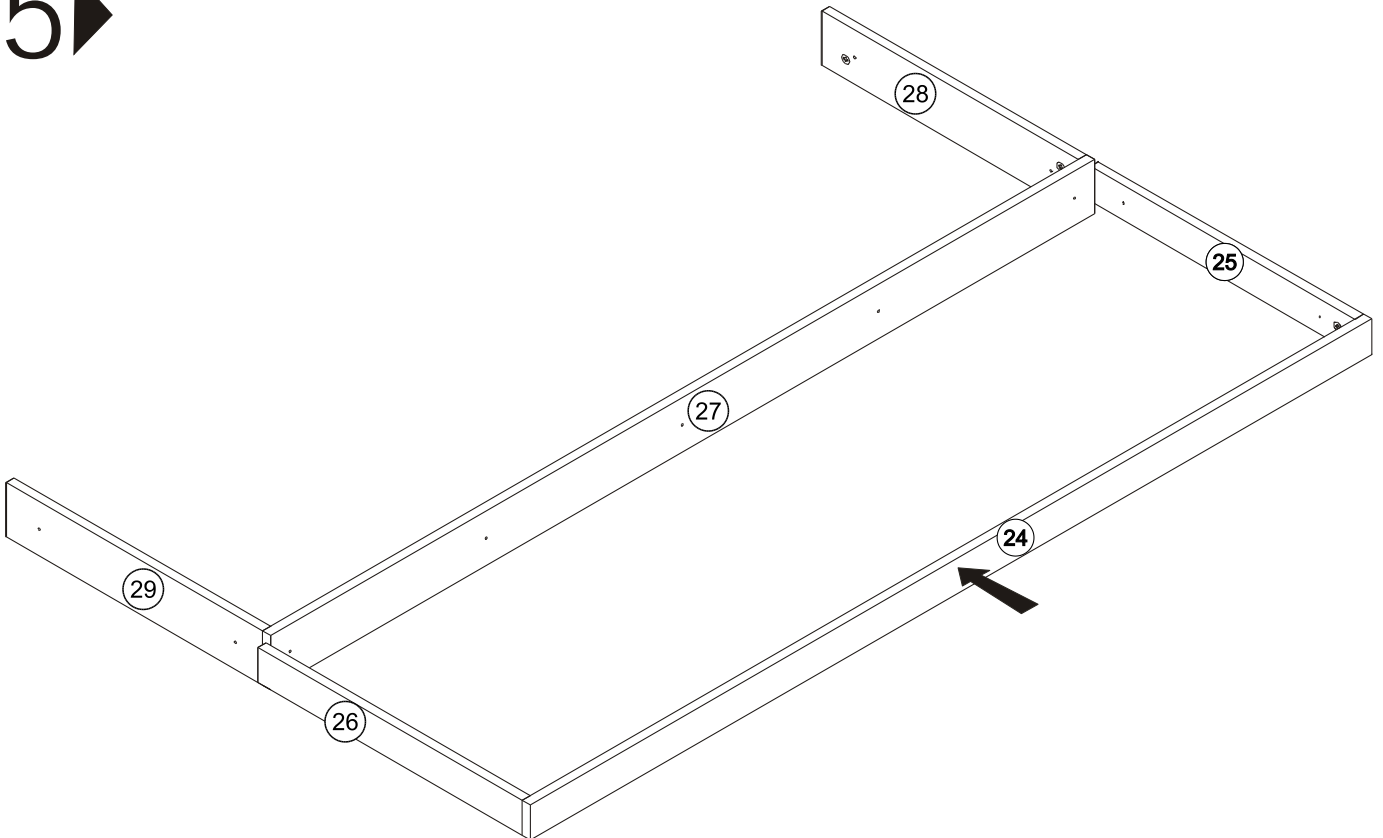
3 ▶



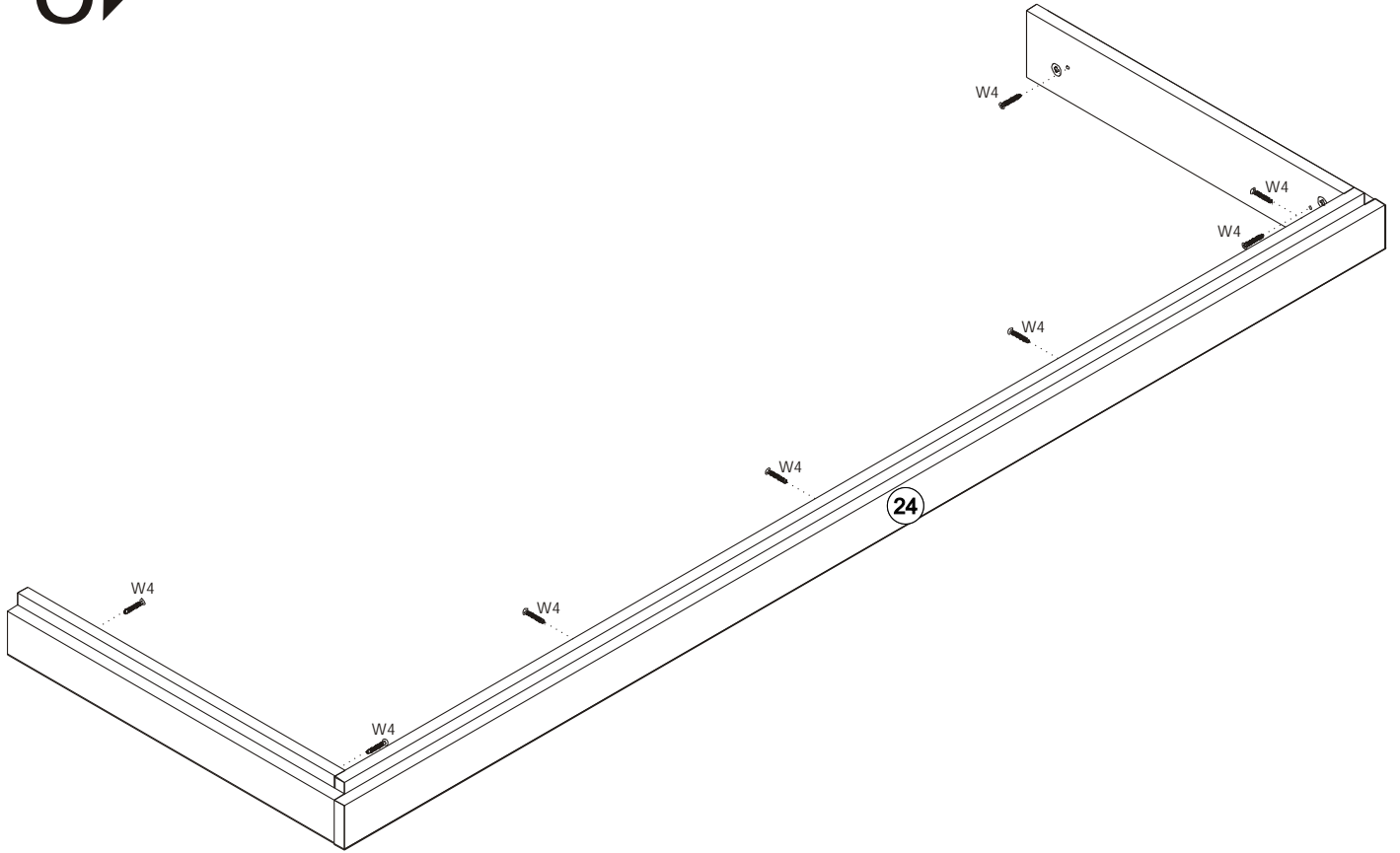
4 ▶



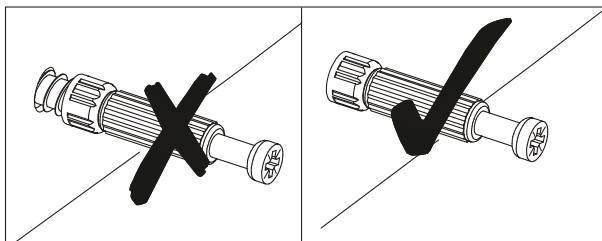
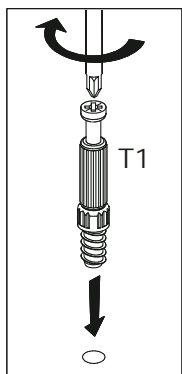
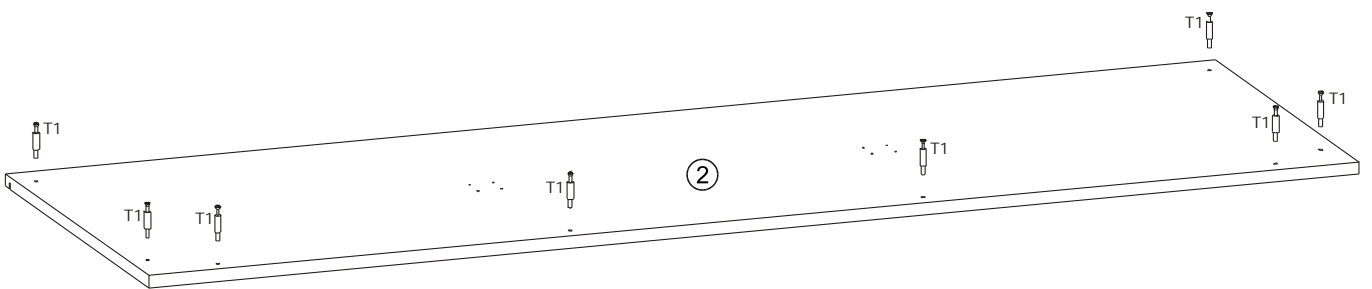
5 ▶



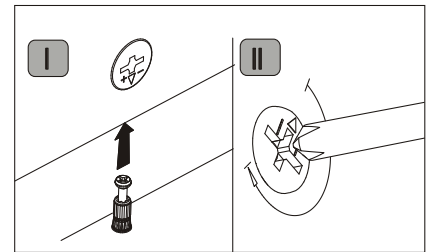
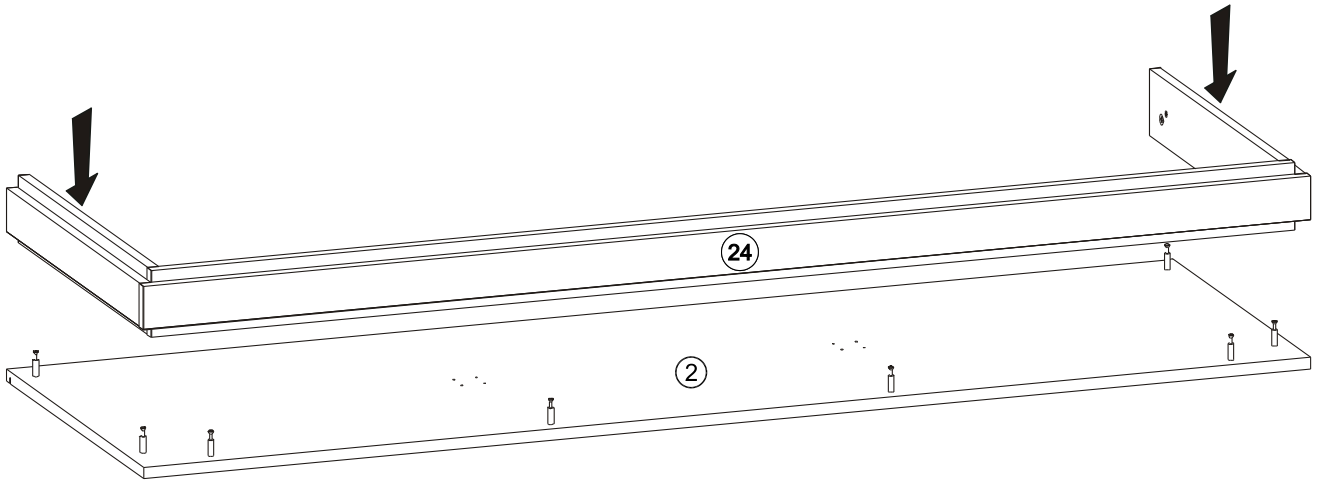
6▶



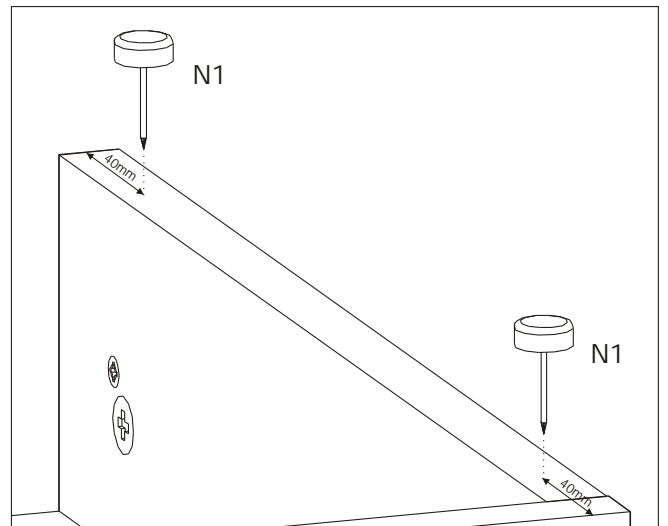
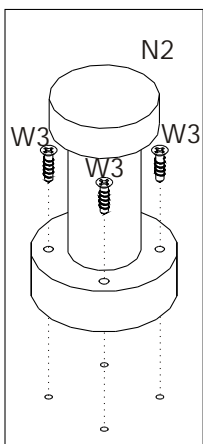
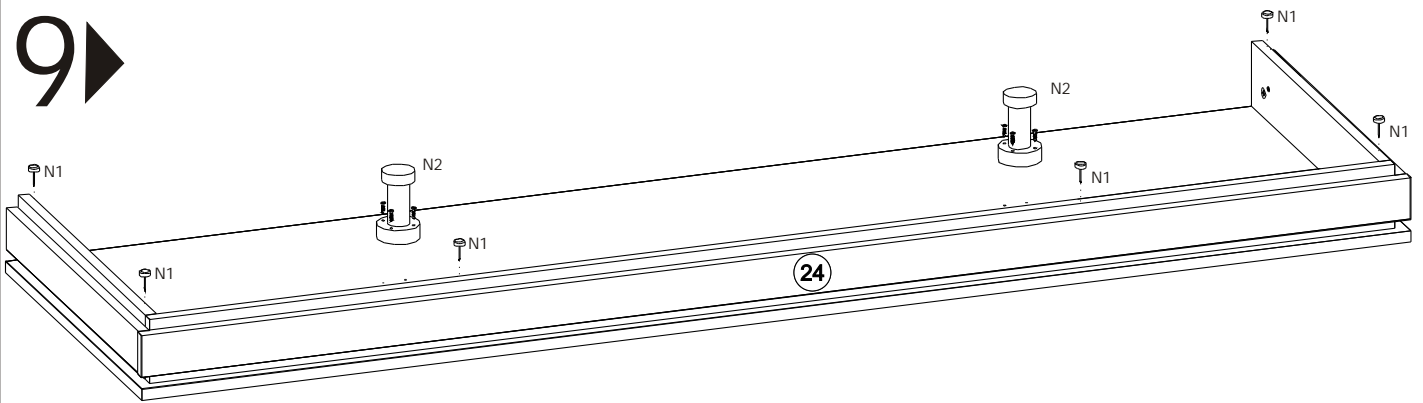
7▶



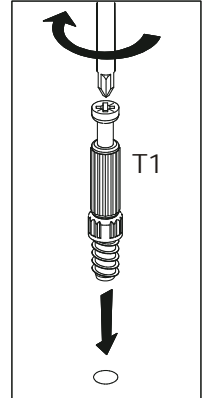
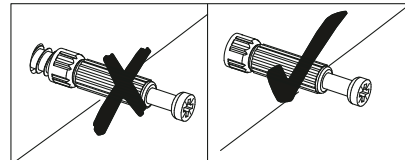
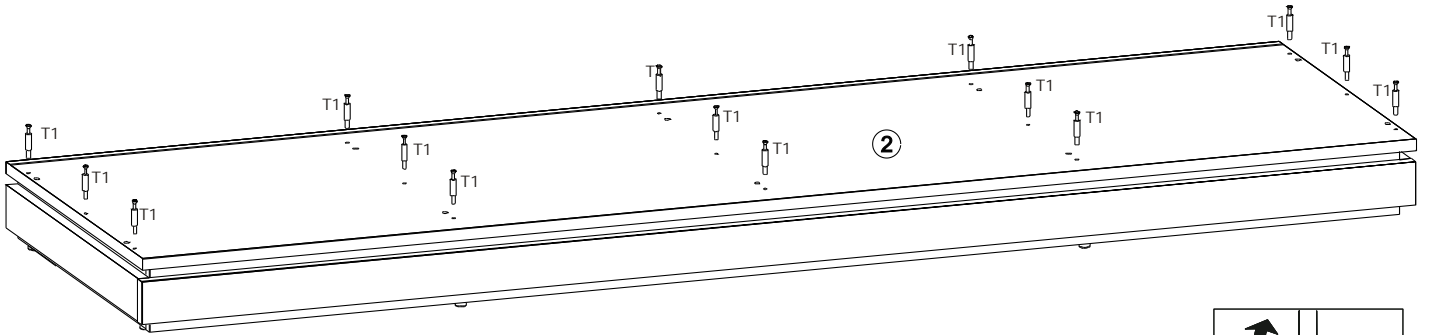
8 ▶



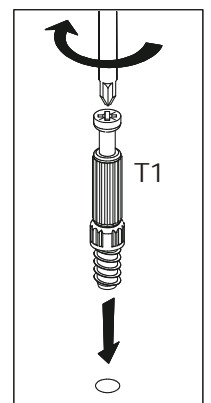
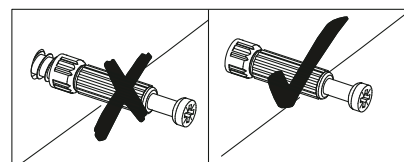
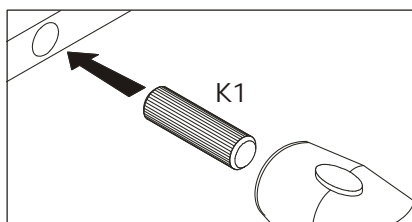
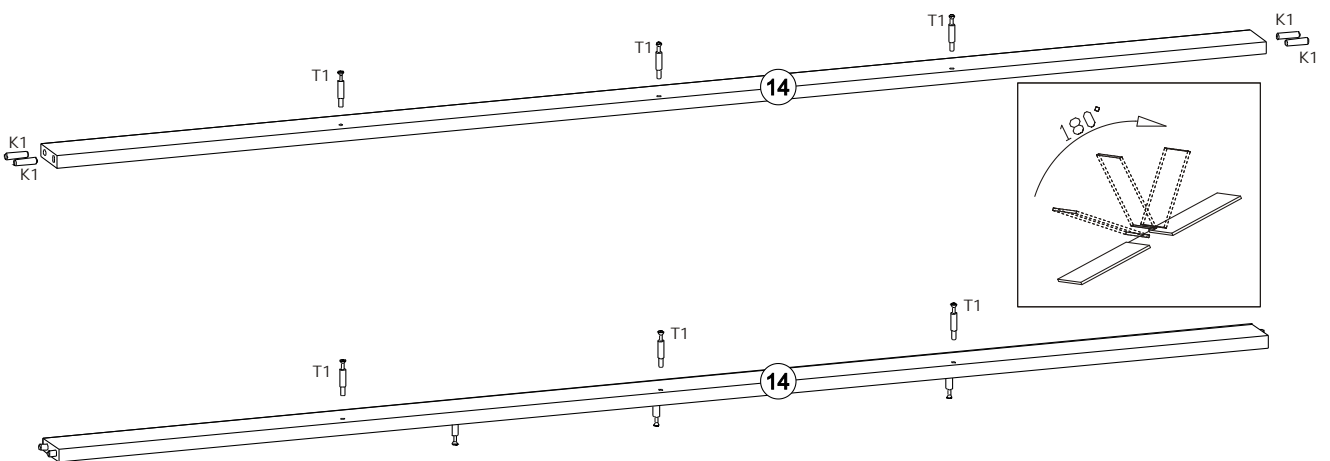
9 ▶



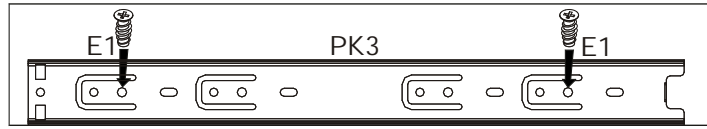
10▶



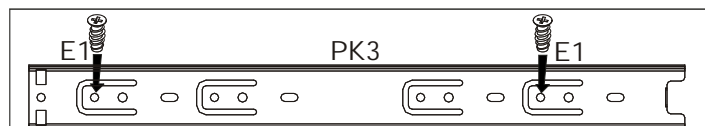
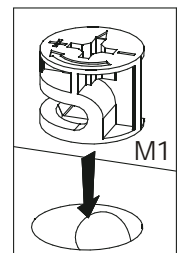
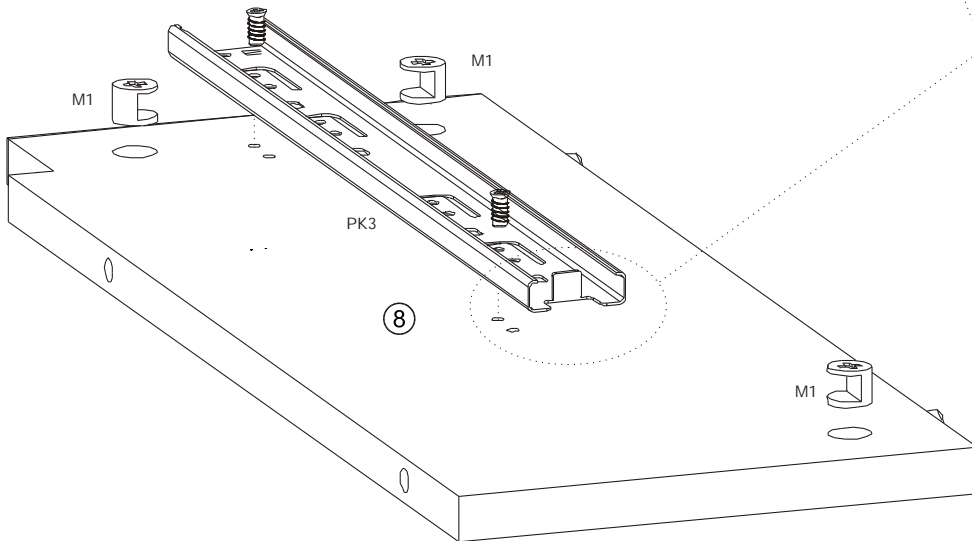
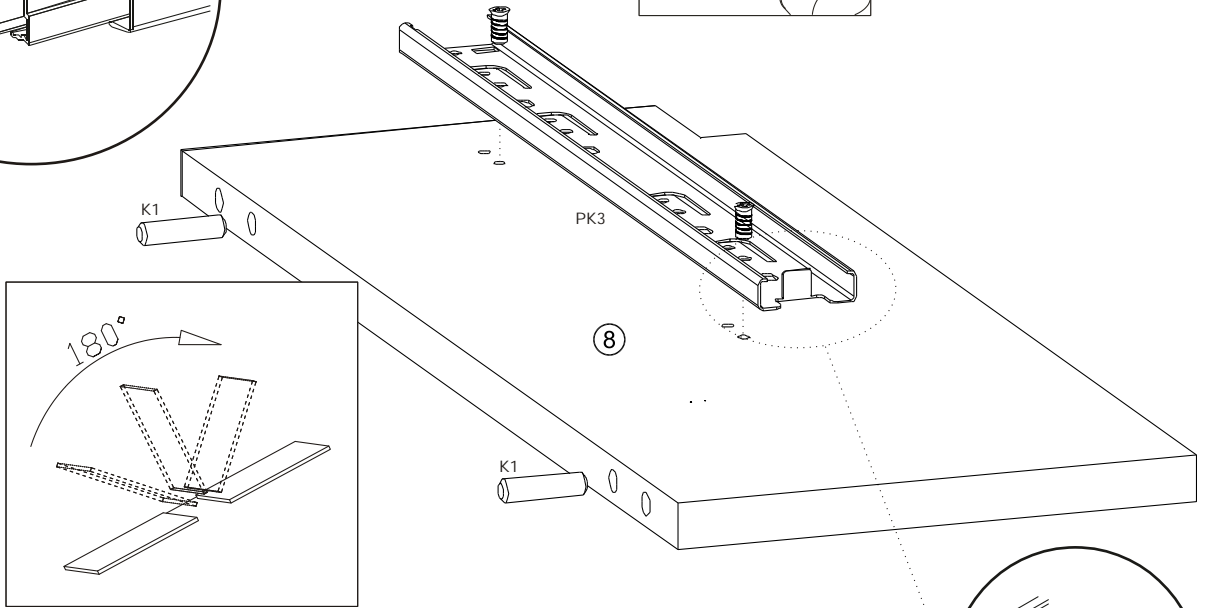
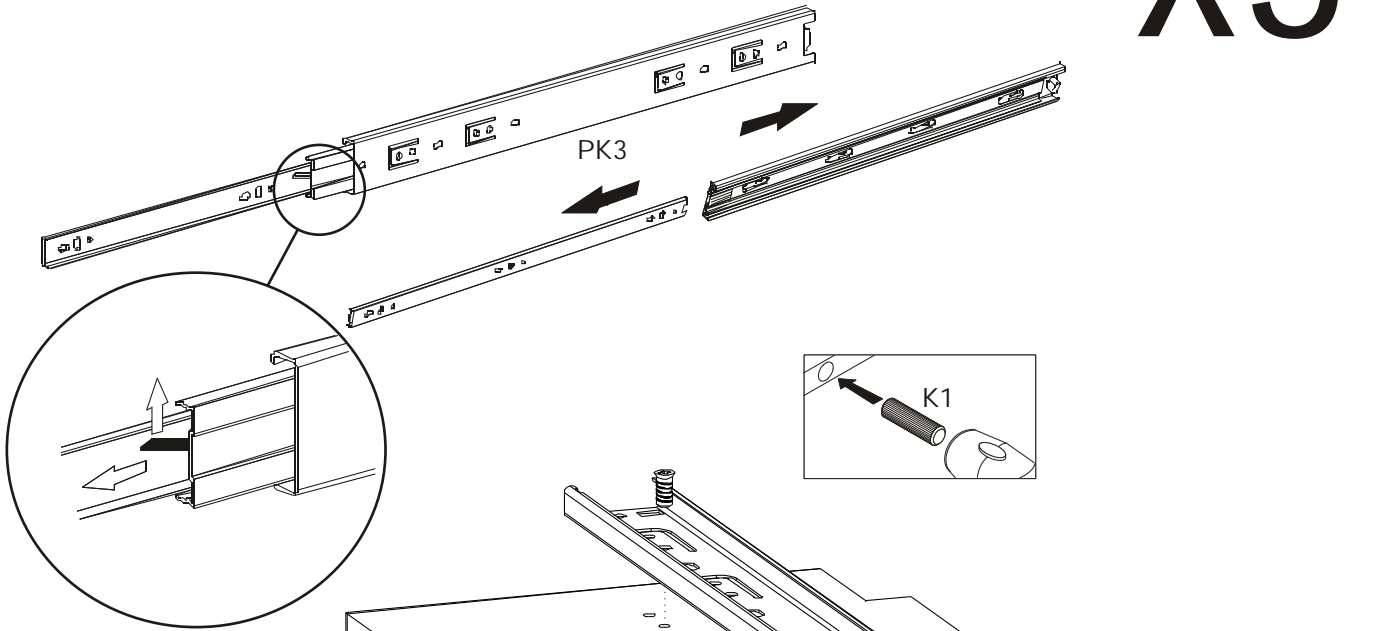
11▶



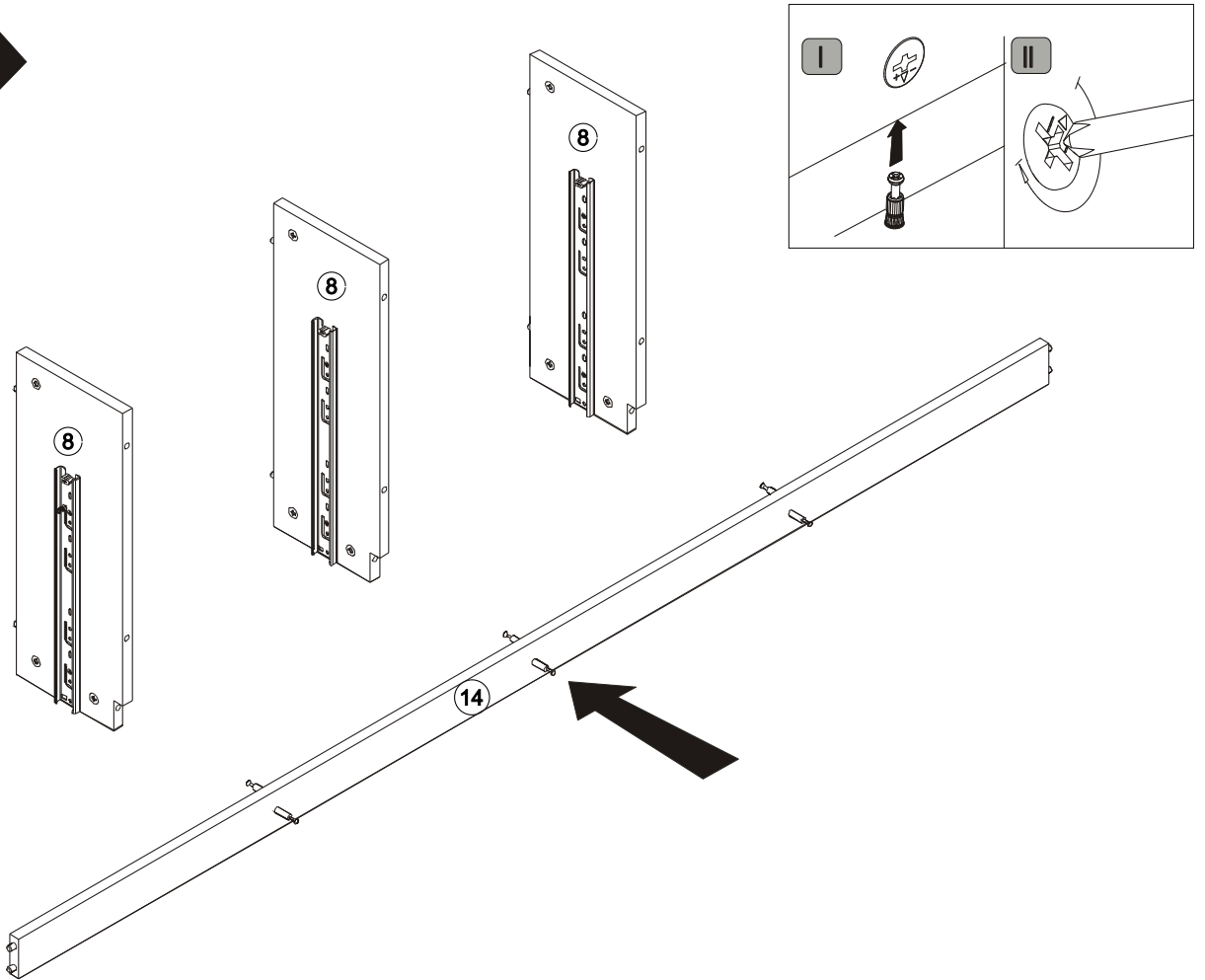
12 ▶



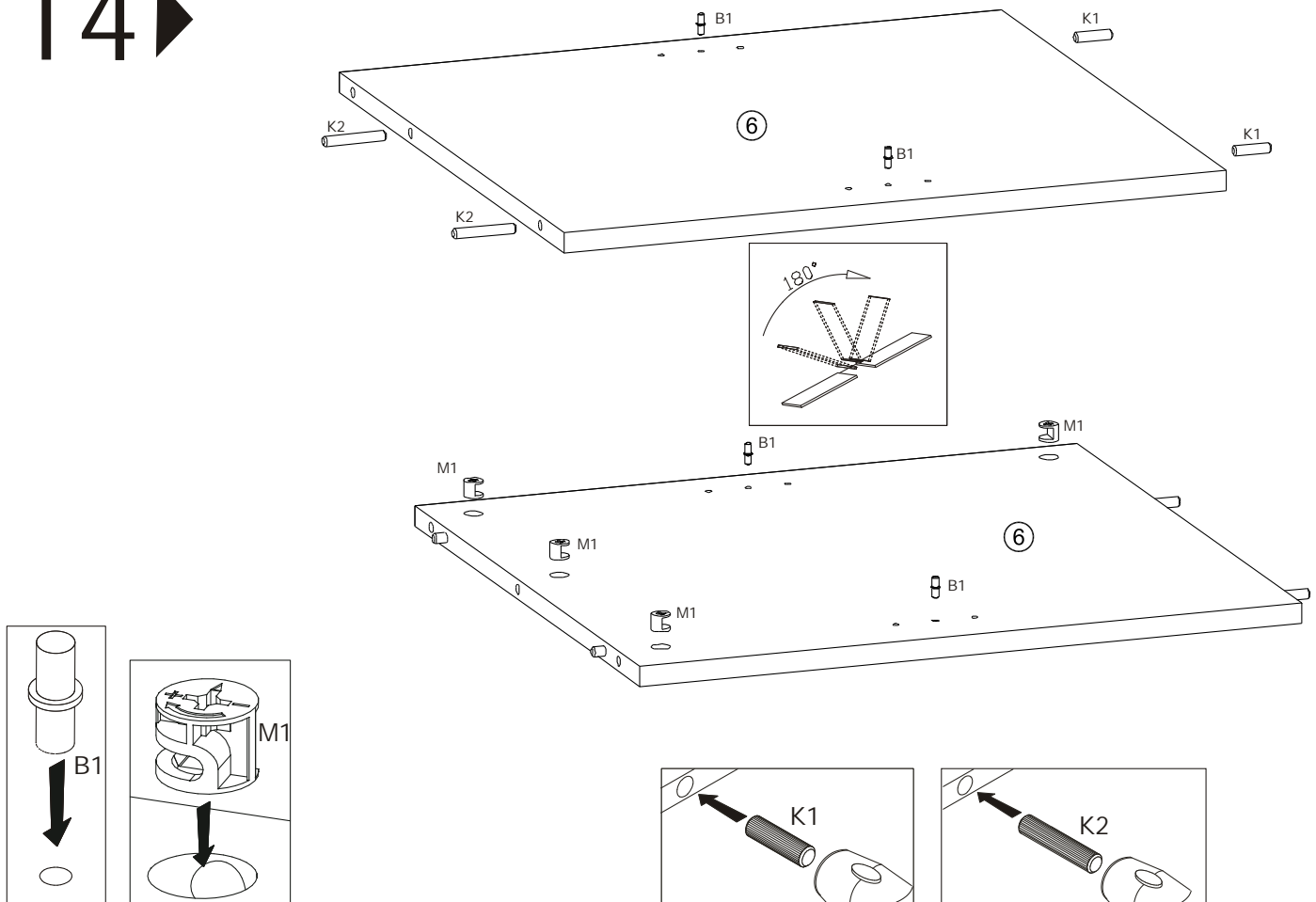
x3



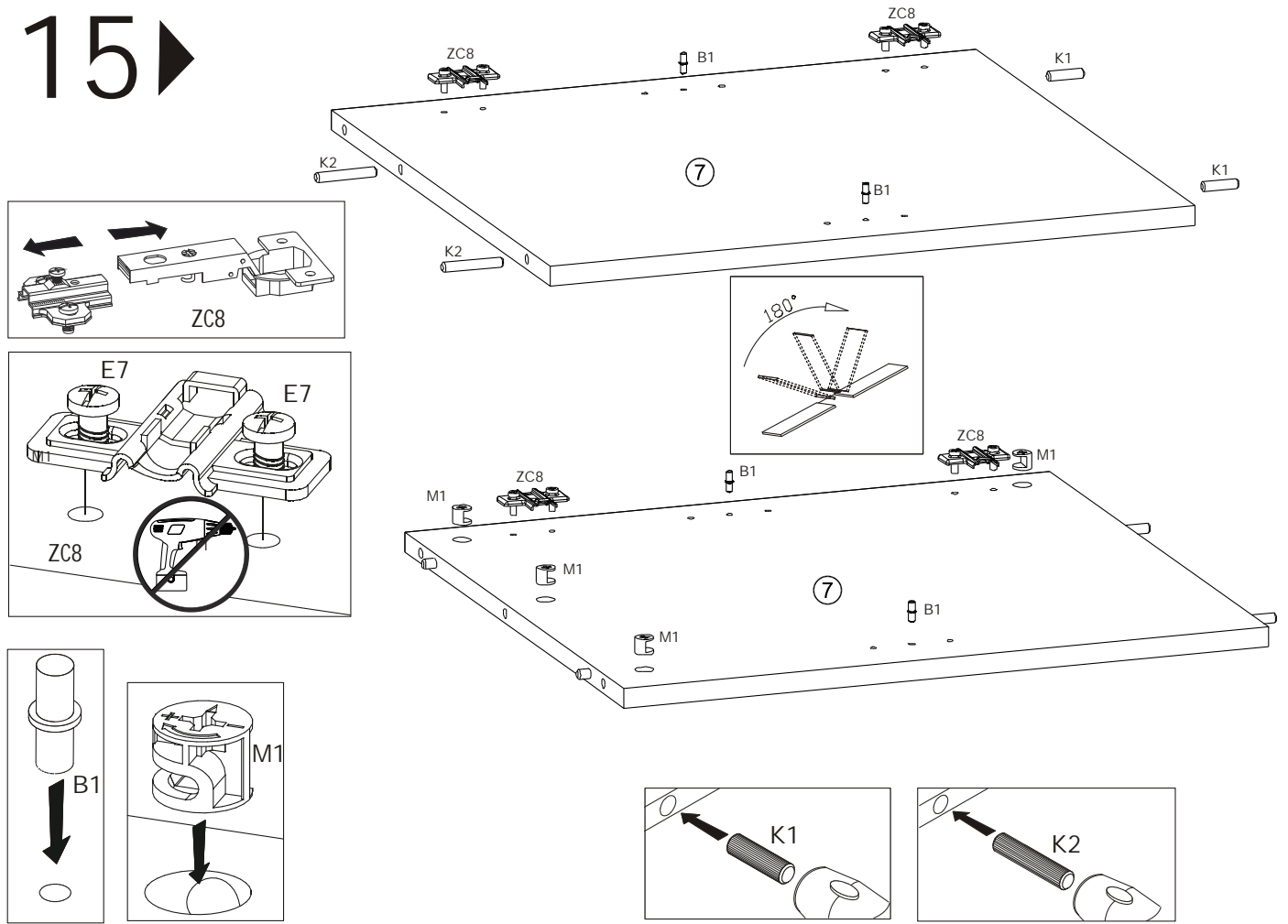
13 ▶



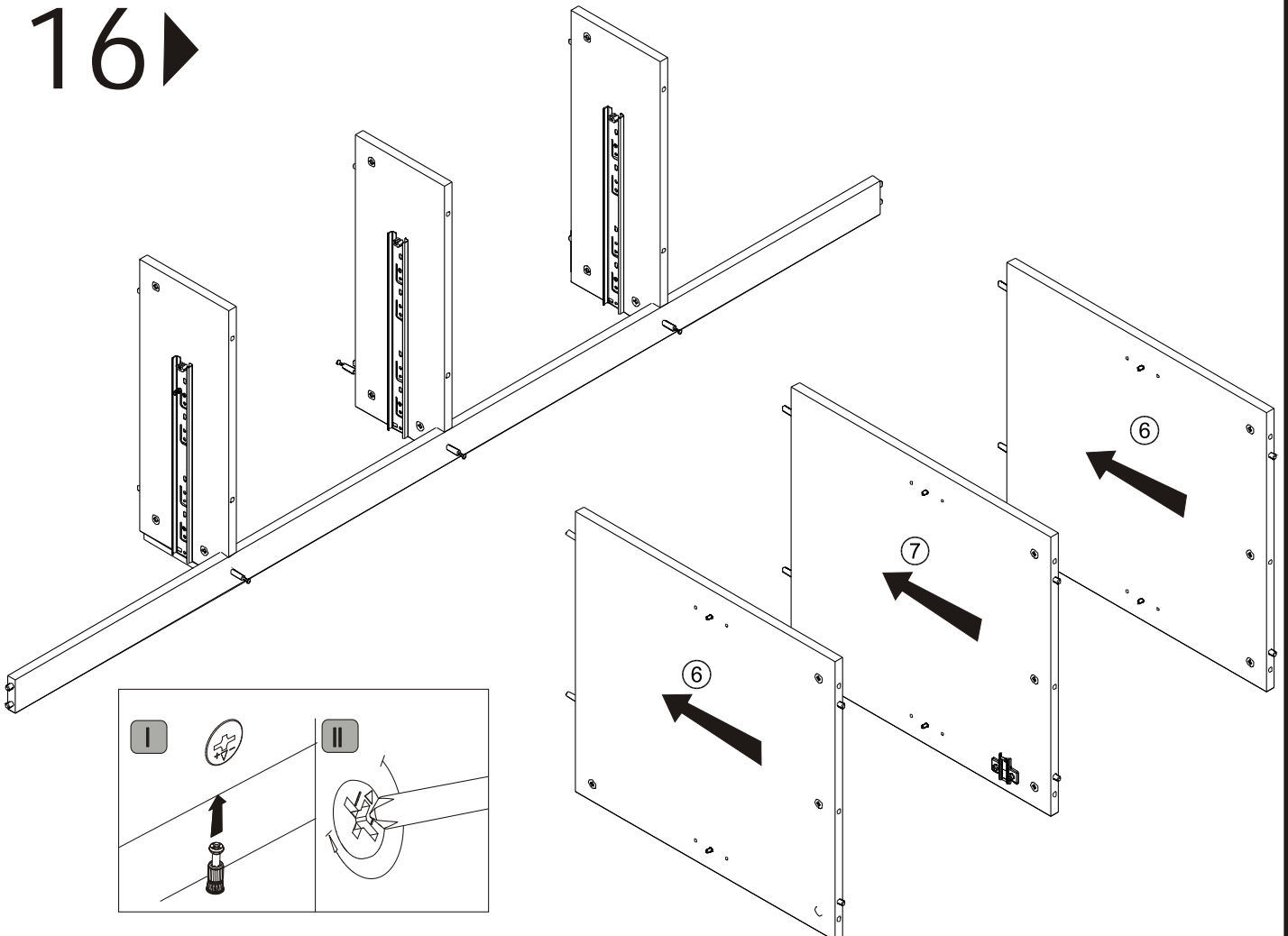
14 ▶

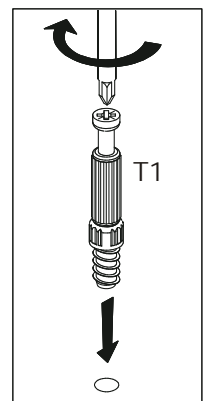
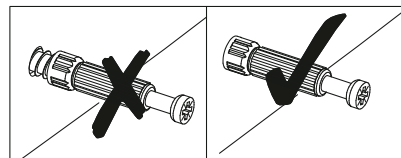
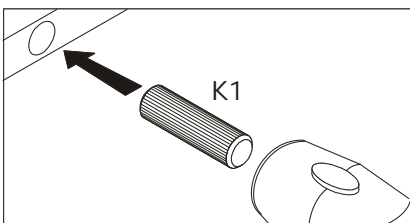
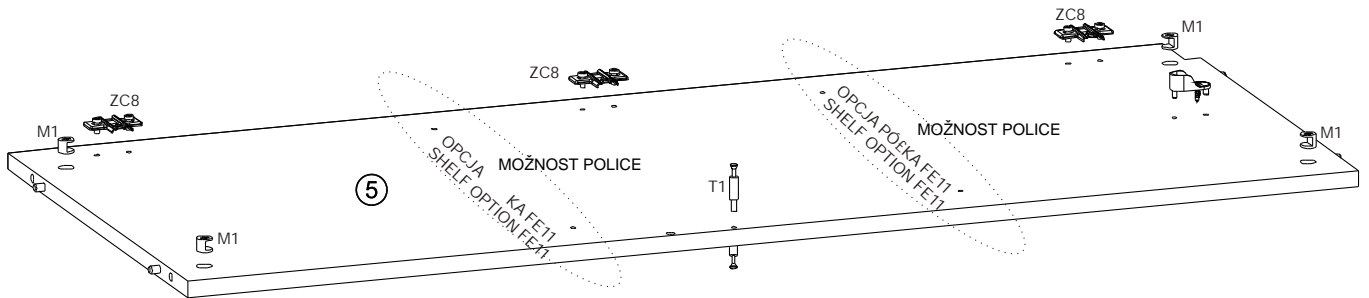
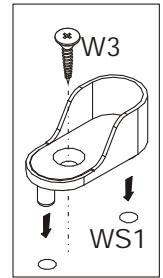
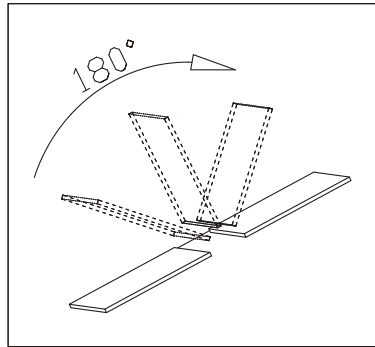
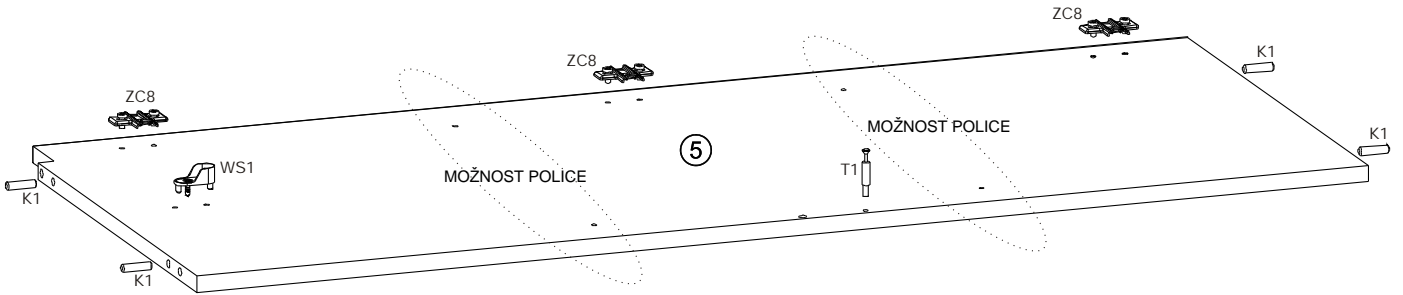
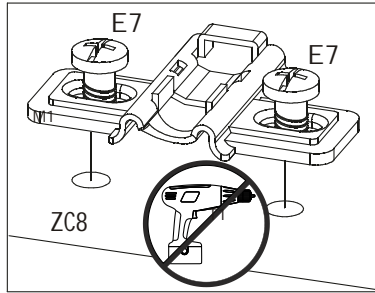
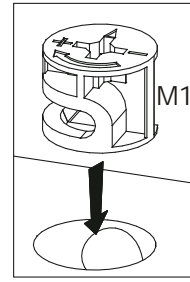
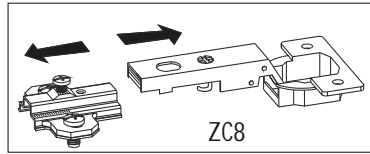


15 ▶

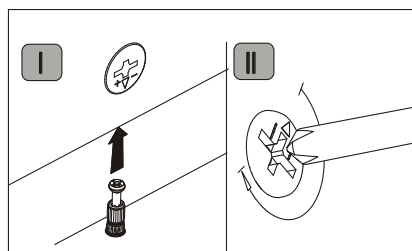
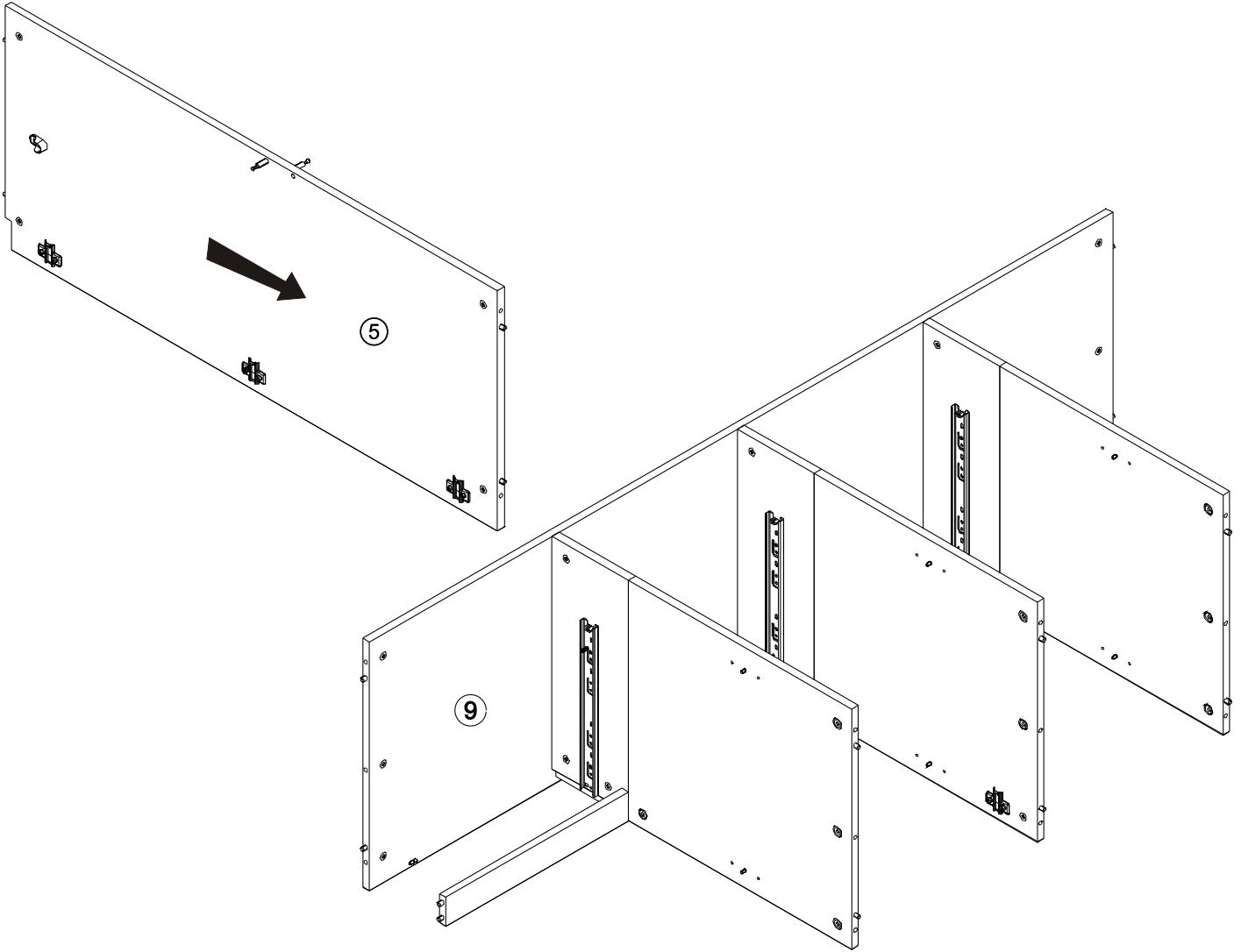


16 ▶

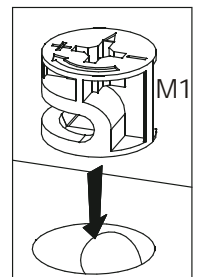
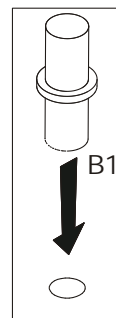
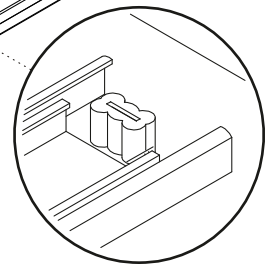
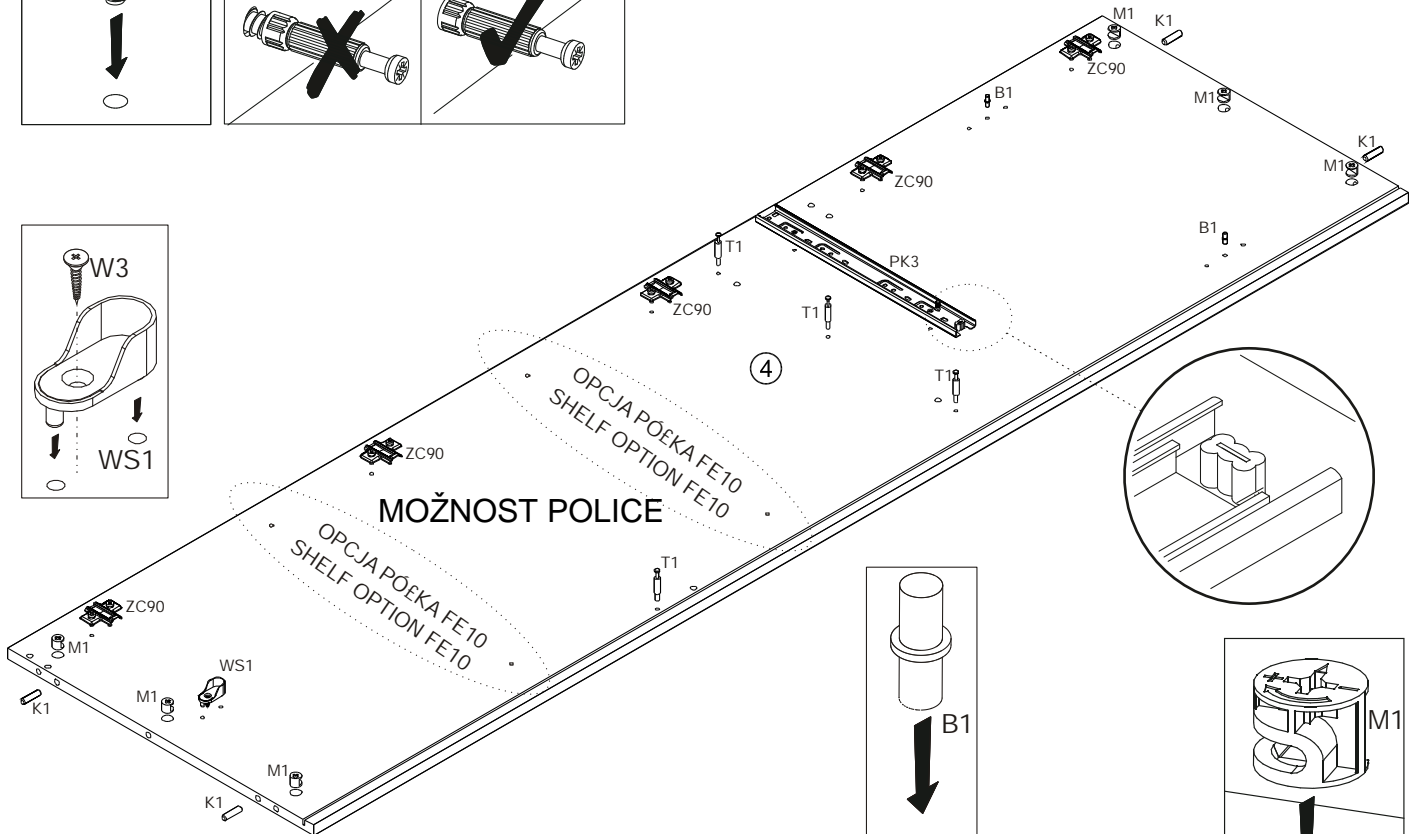
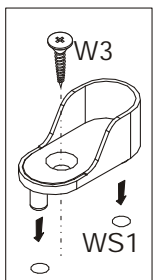
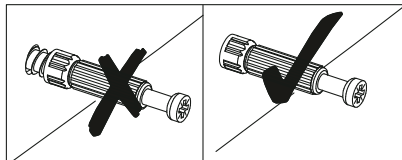
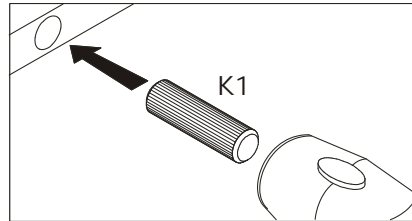
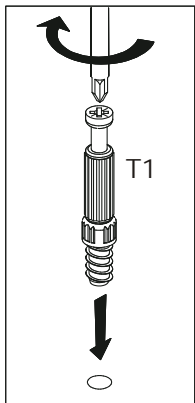
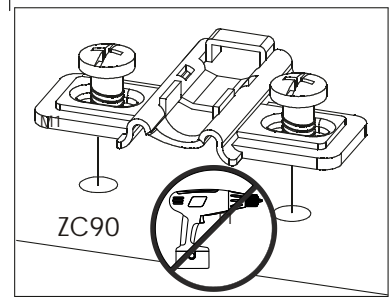
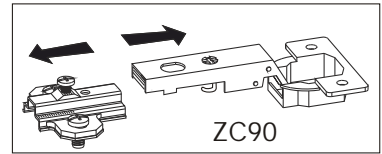
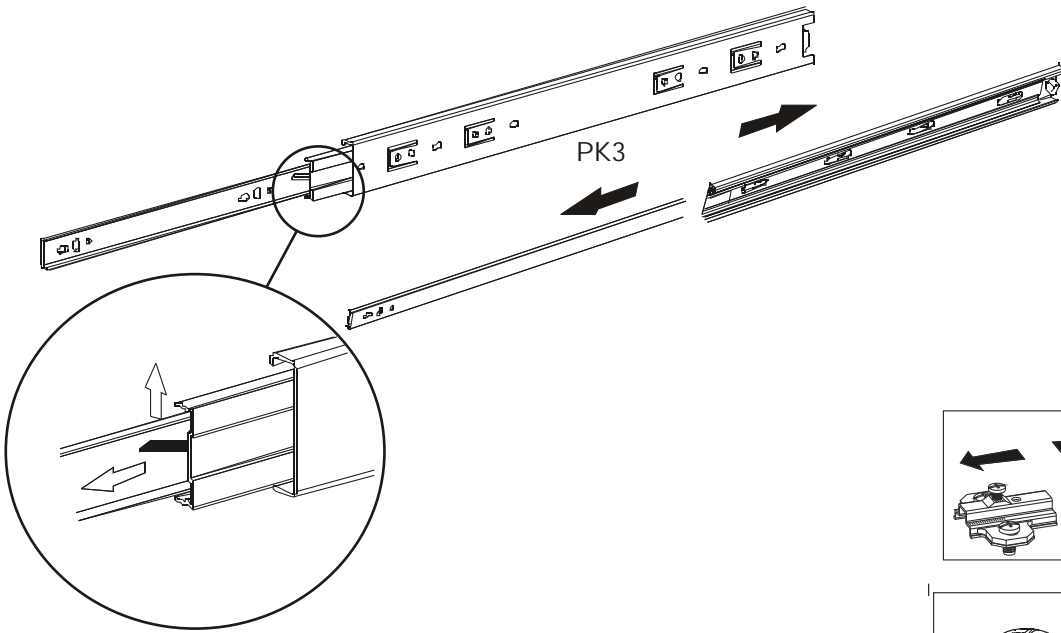
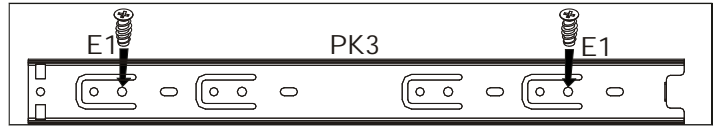




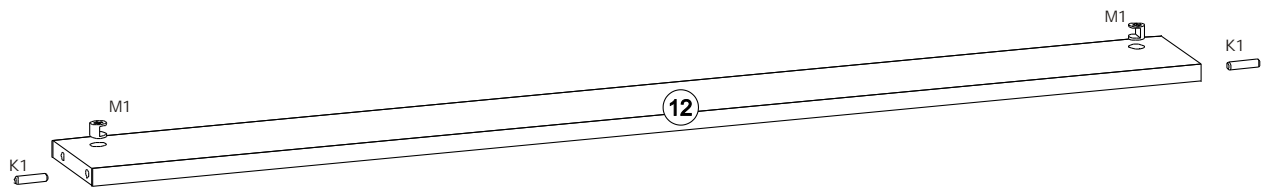
20 ▶



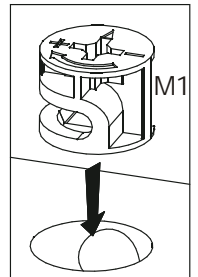
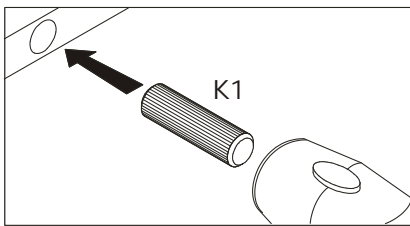
21 ▶



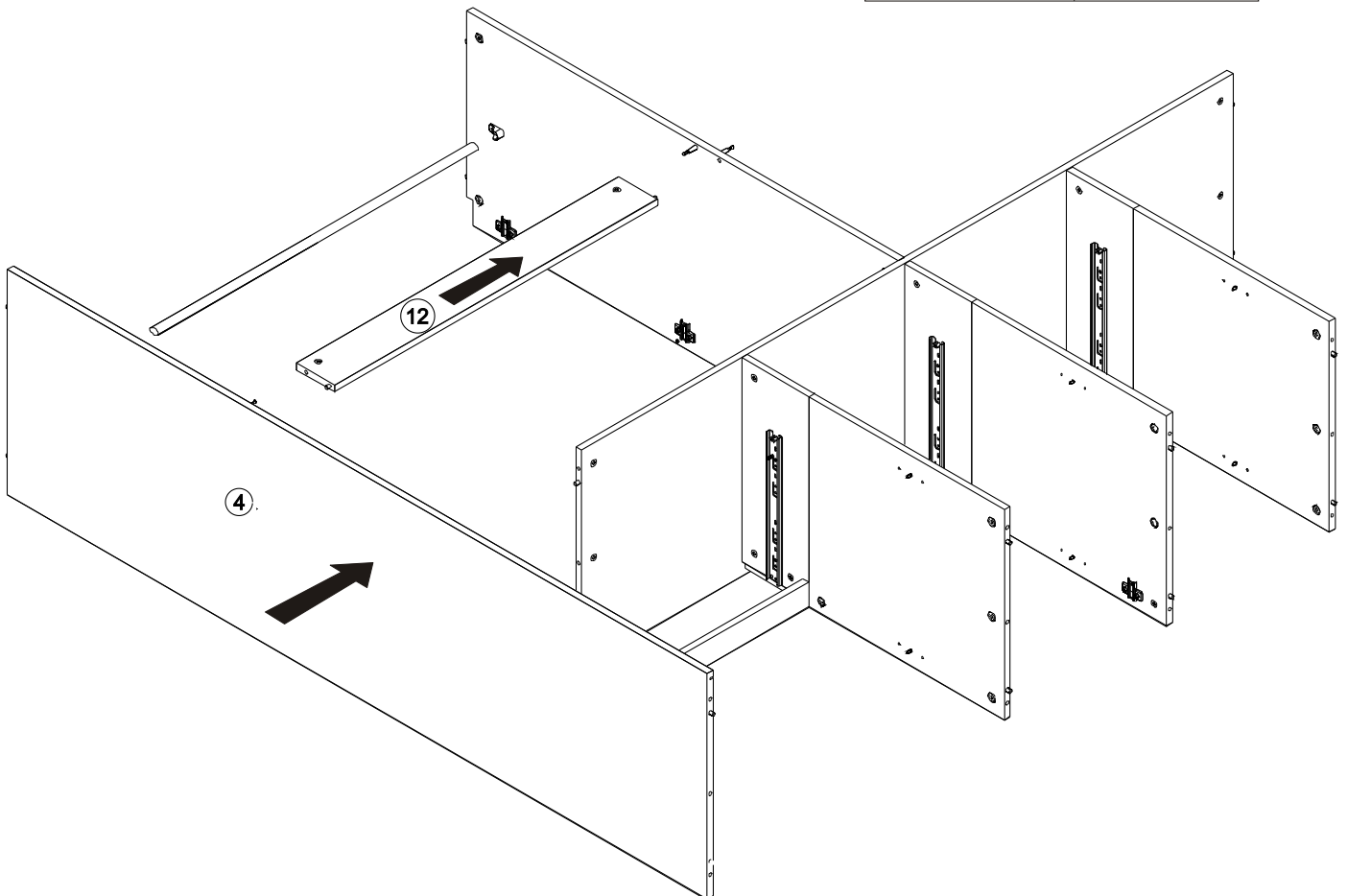
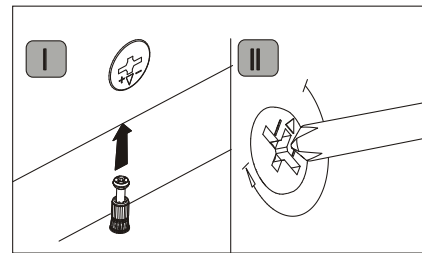
22 ▶



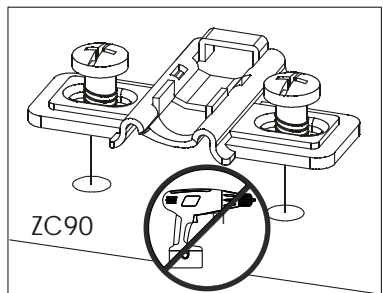
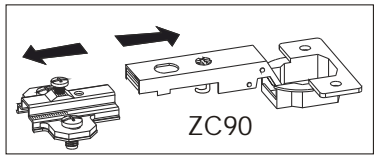
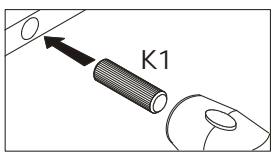
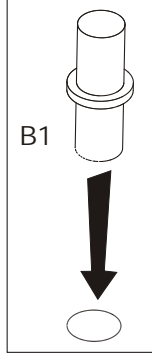
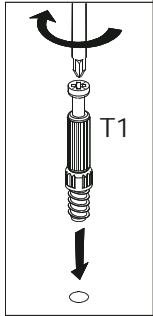
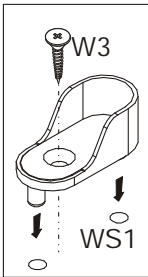
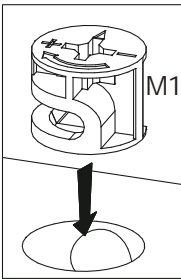
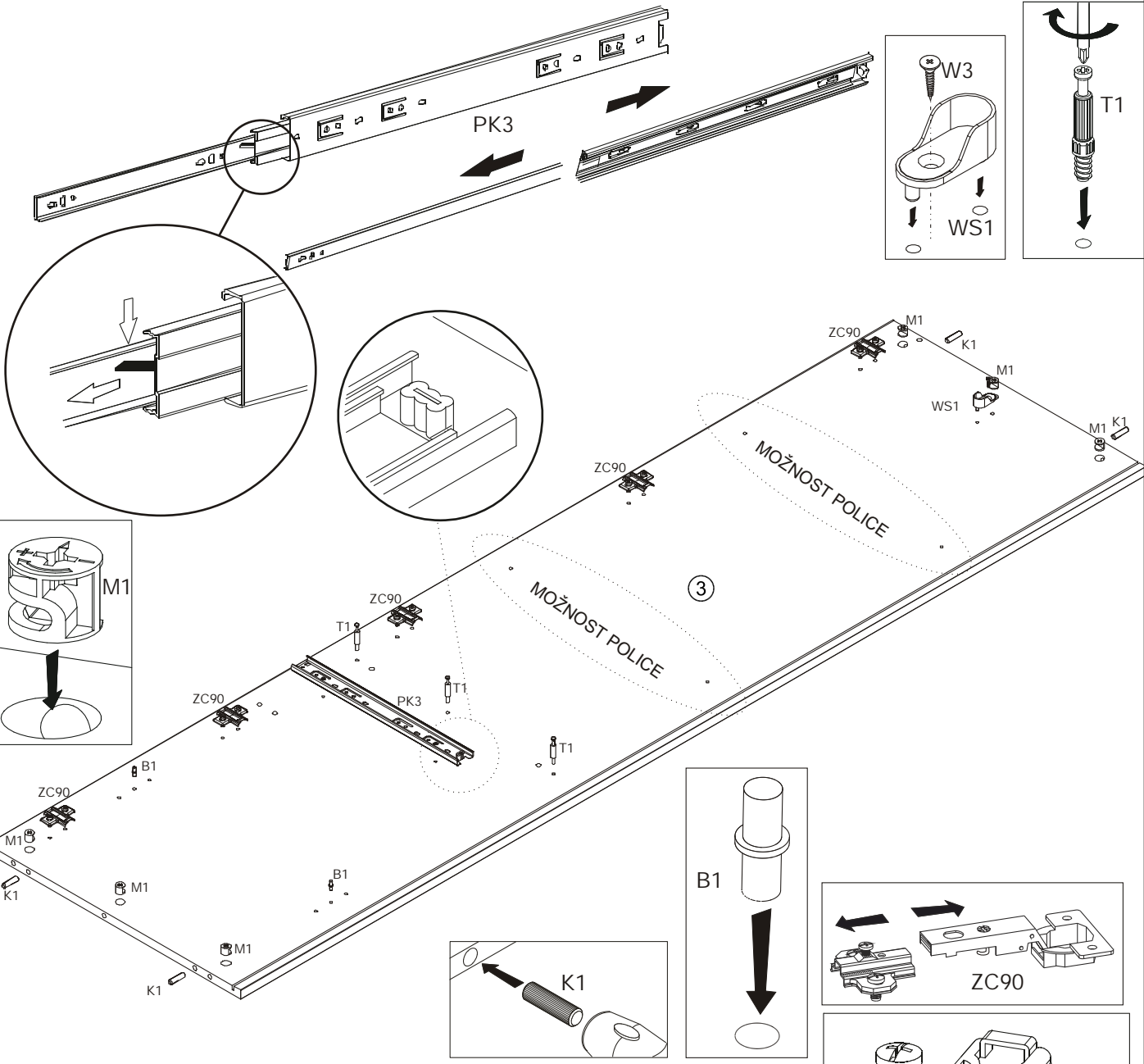
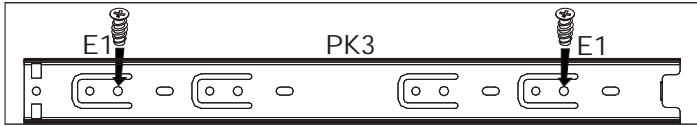
x2



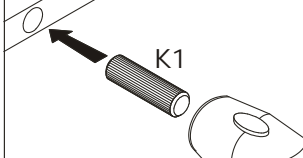
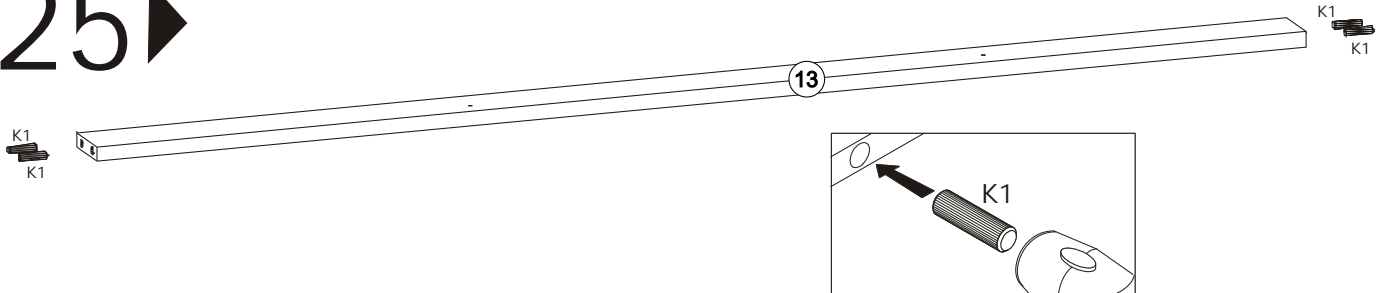
23 ▶



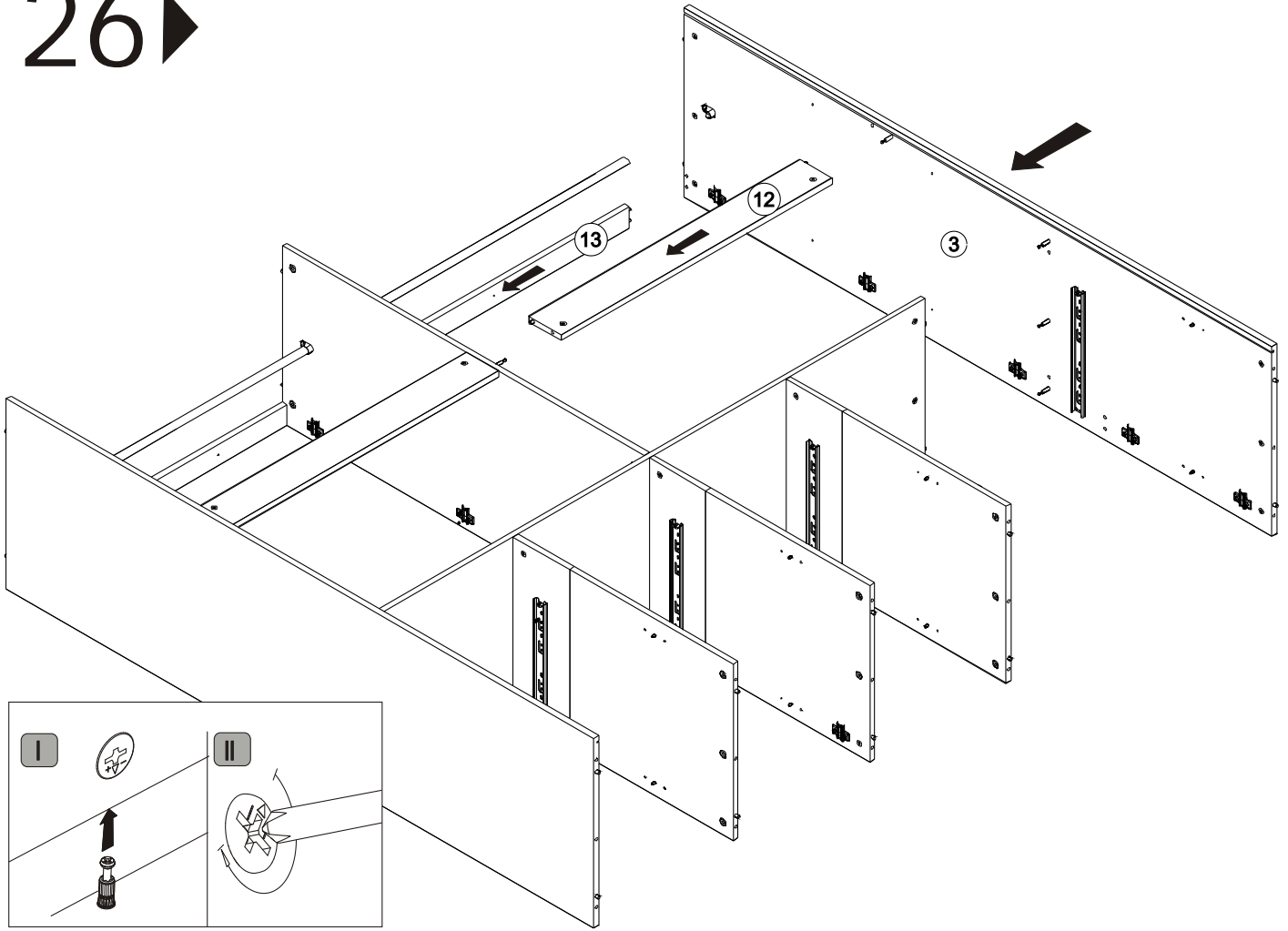
24 ▶



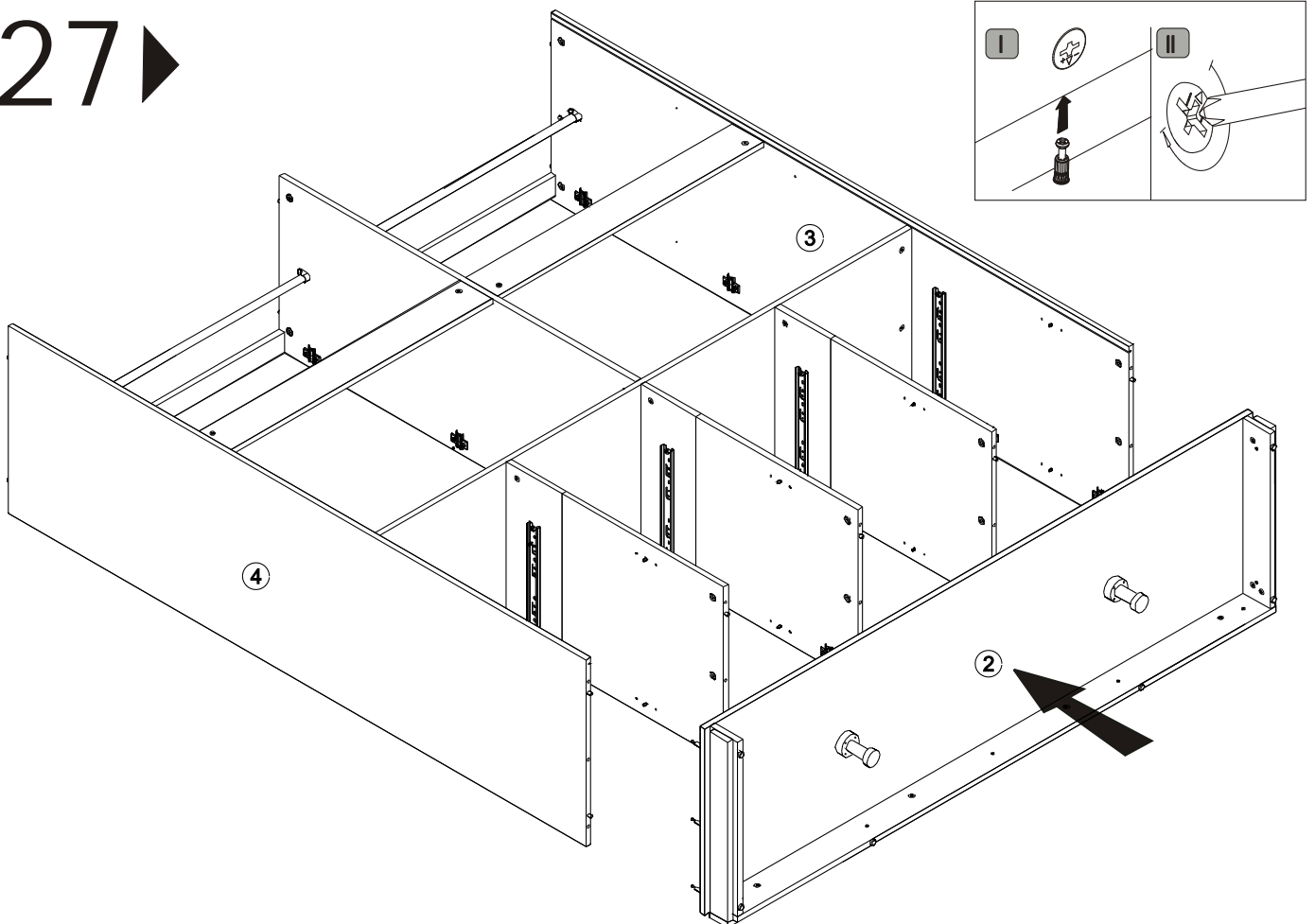
25 ▶



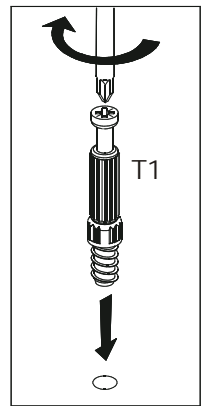
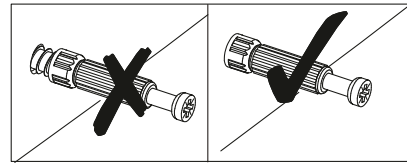
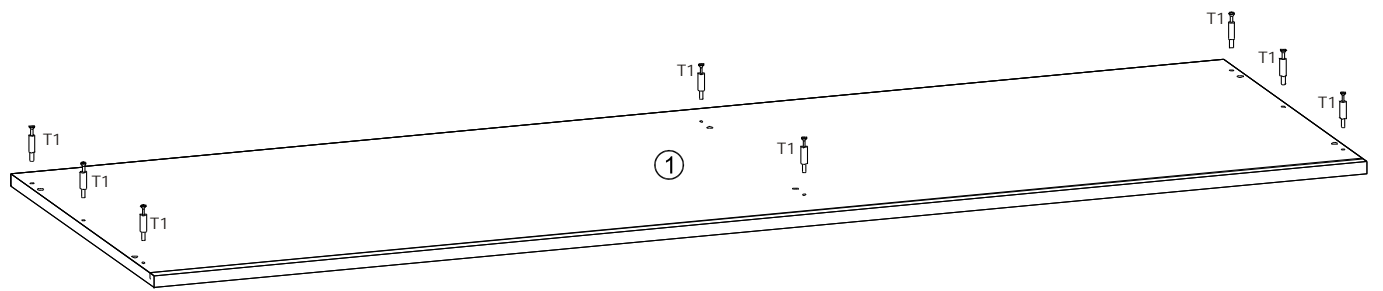
26 ▶



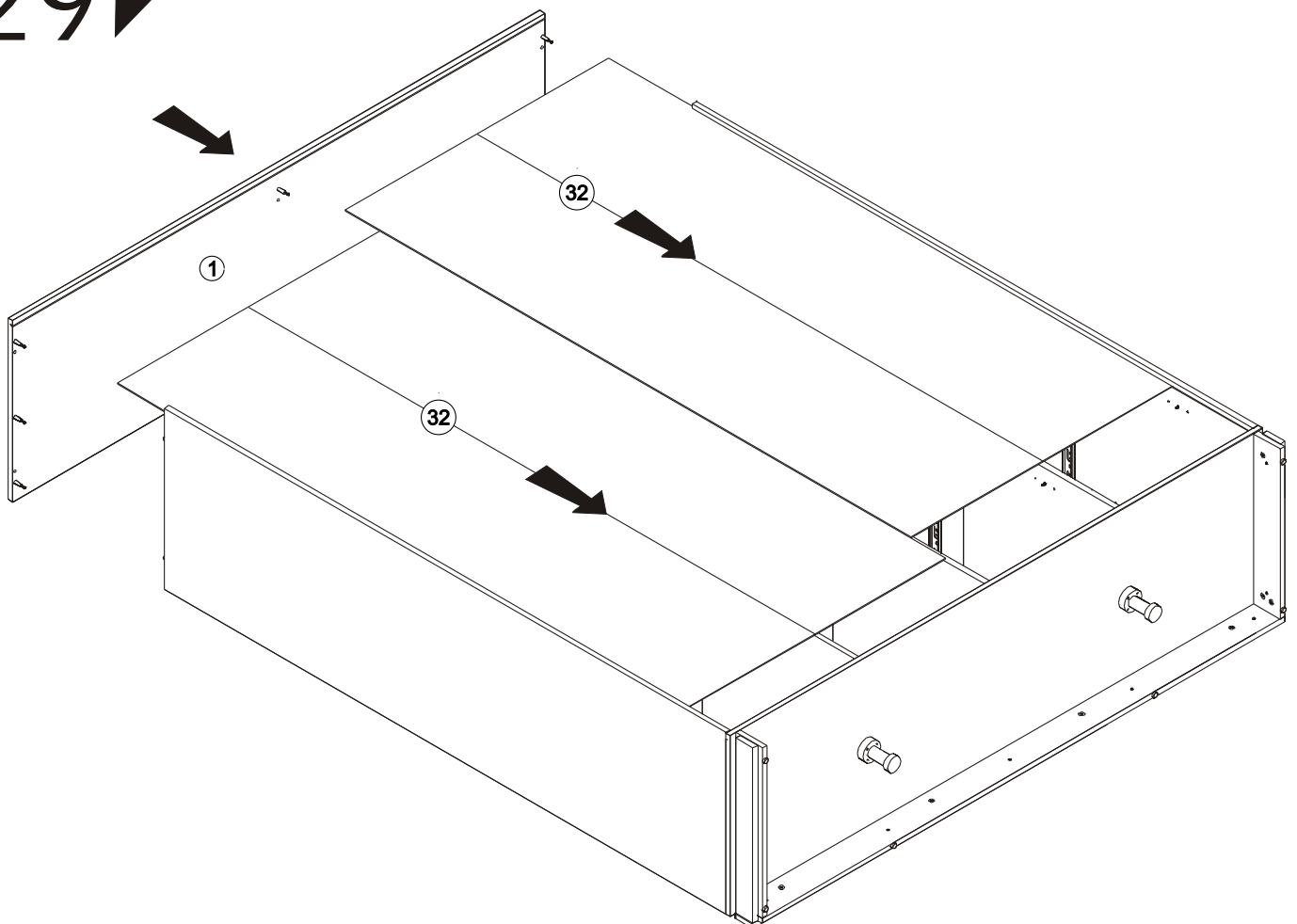
27 ▶



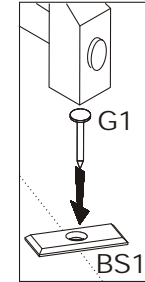
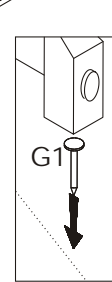
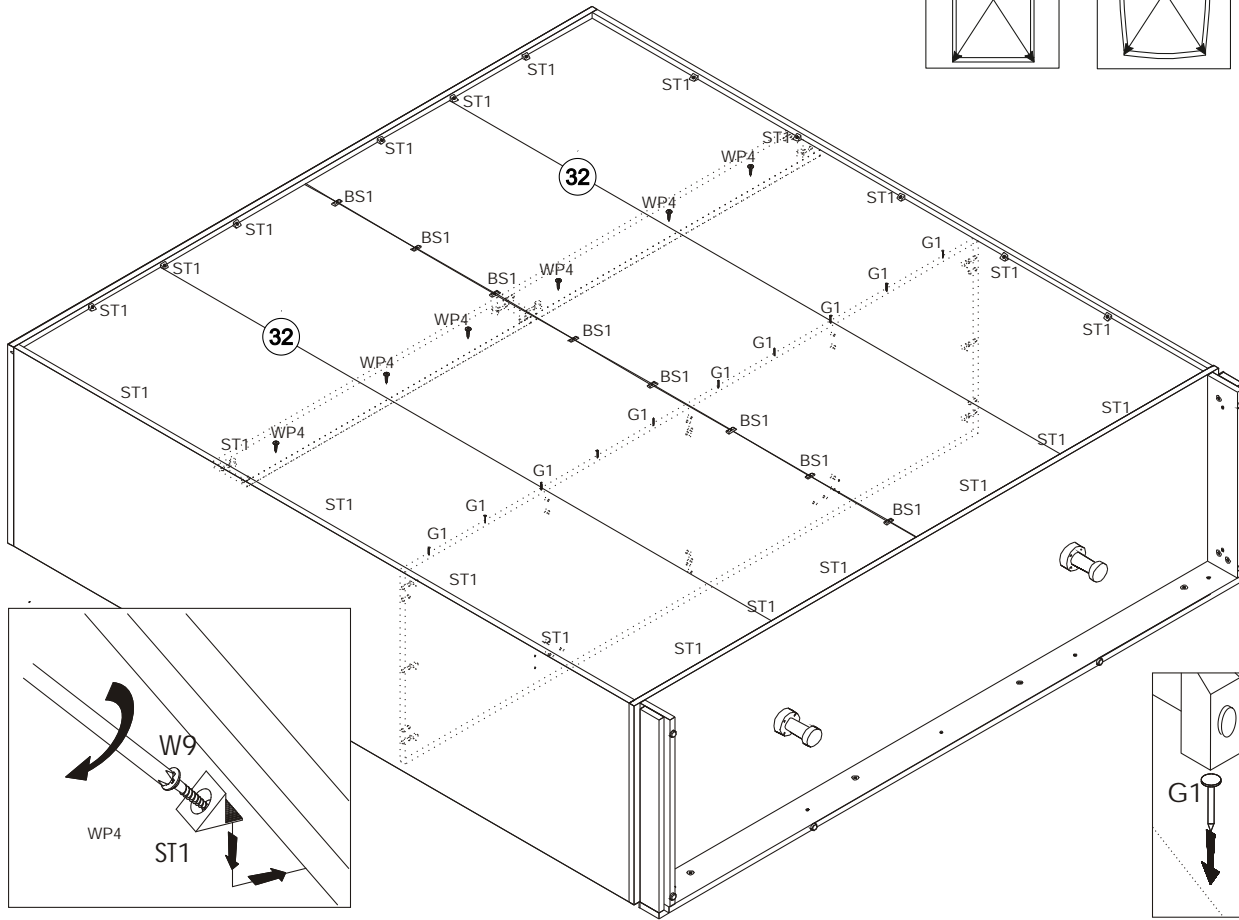
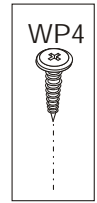
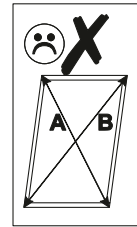
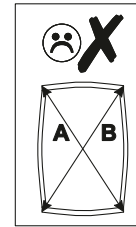
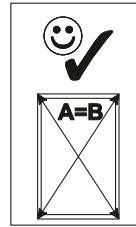
28 ▶



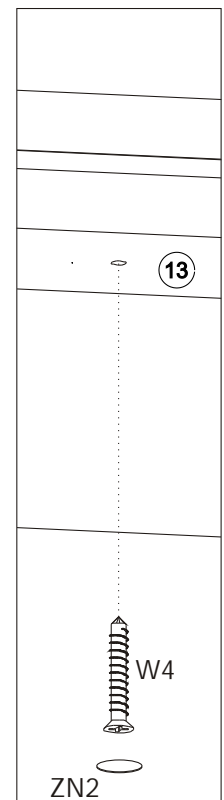
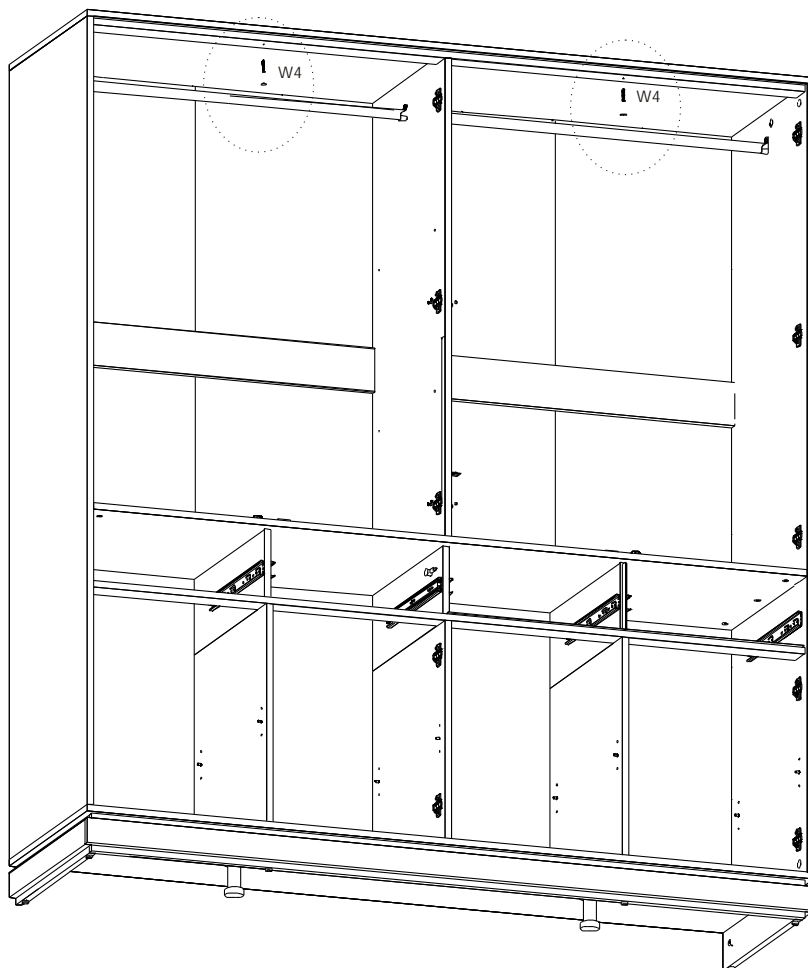
29 ▶



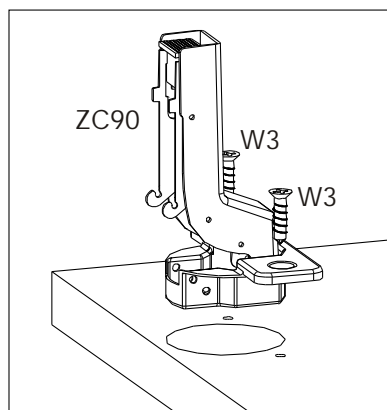
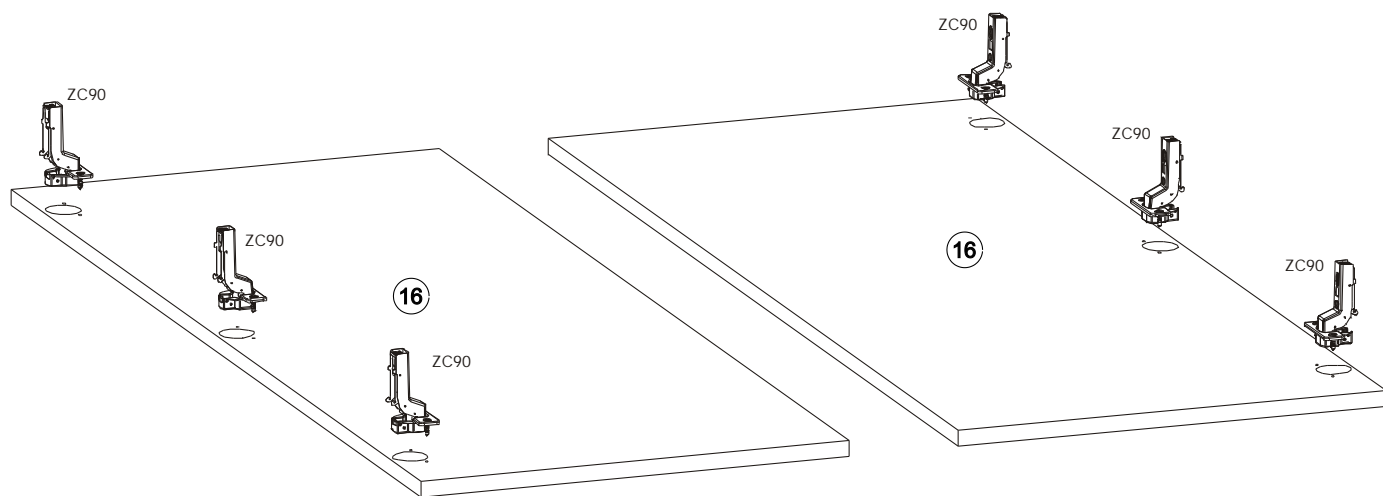
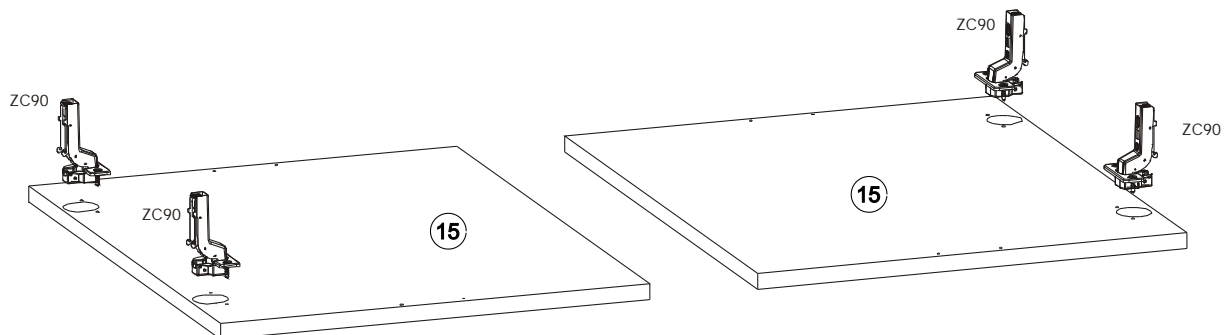
30 ▶



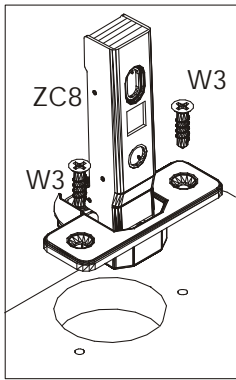
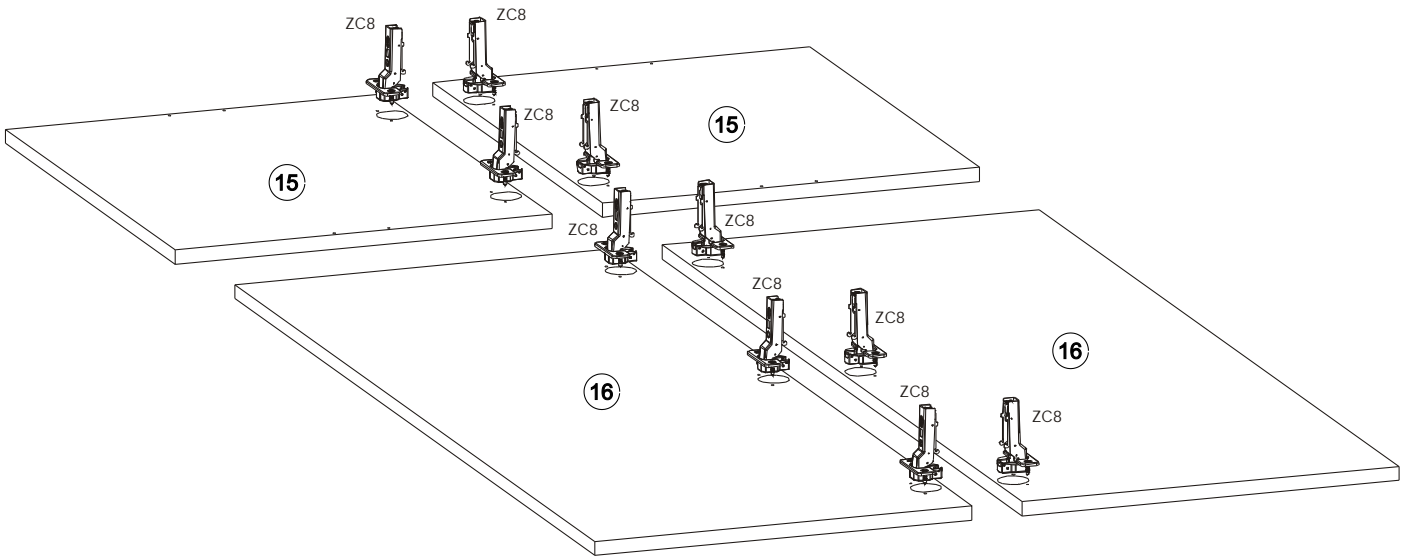
31 ▶



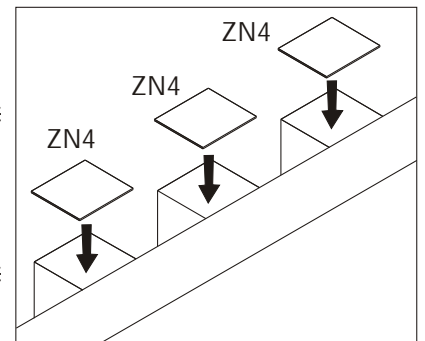
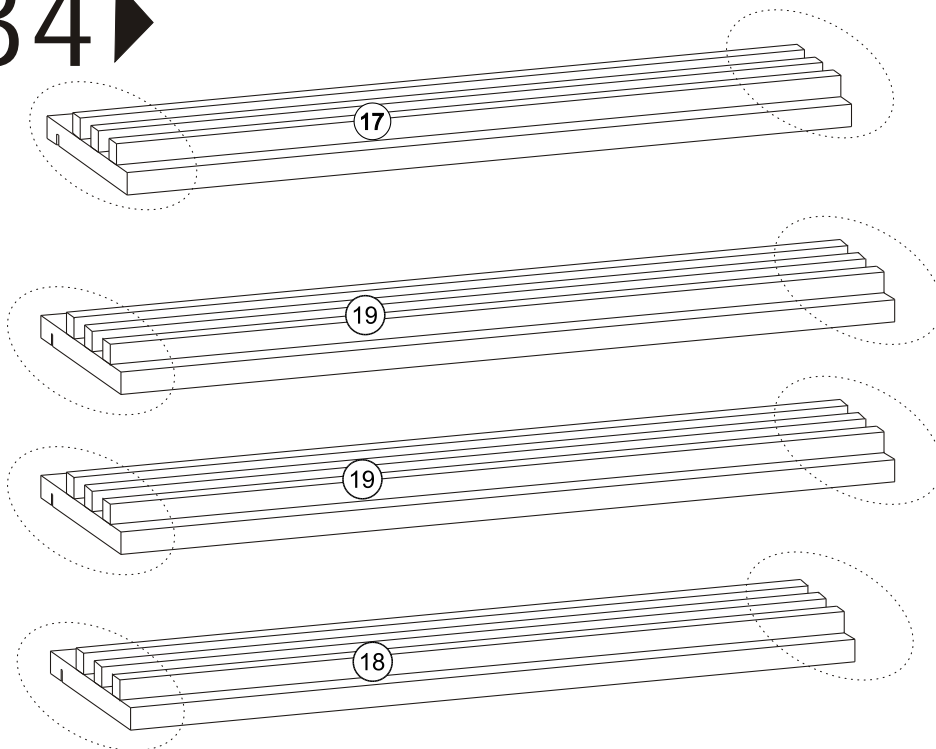
32 ▶



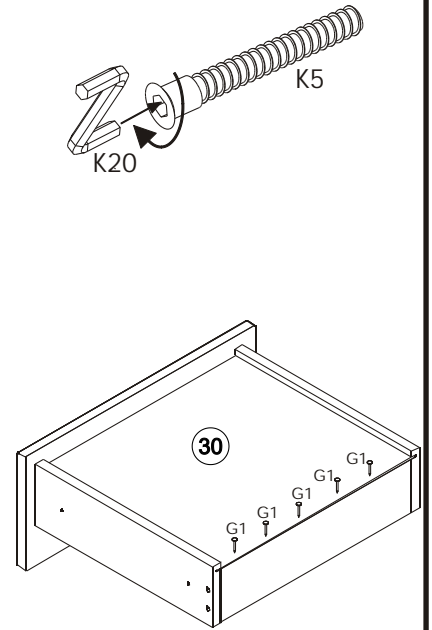
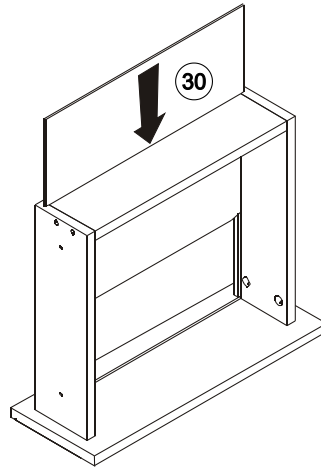
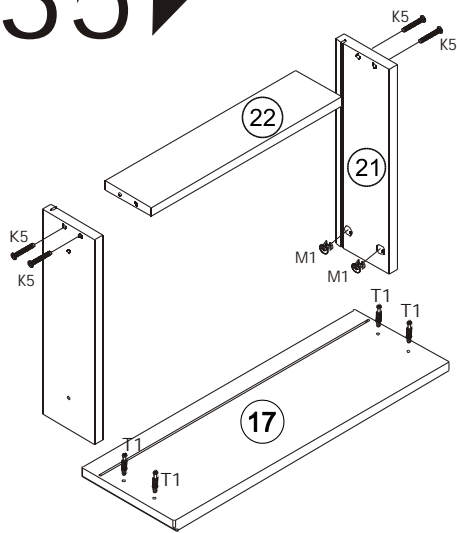
33 ▶



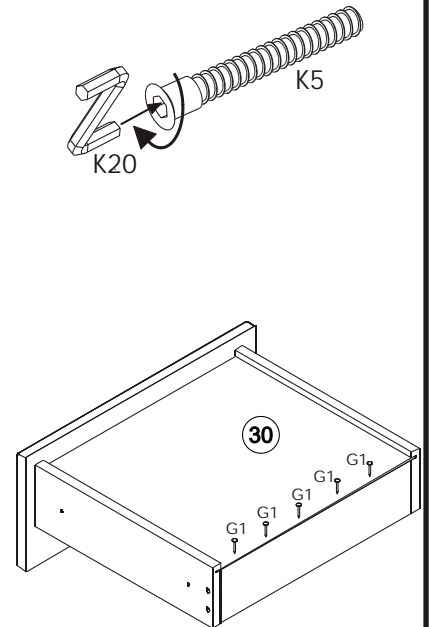
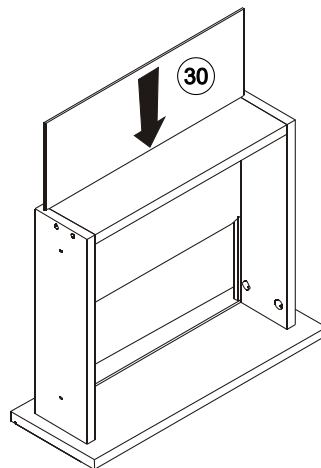
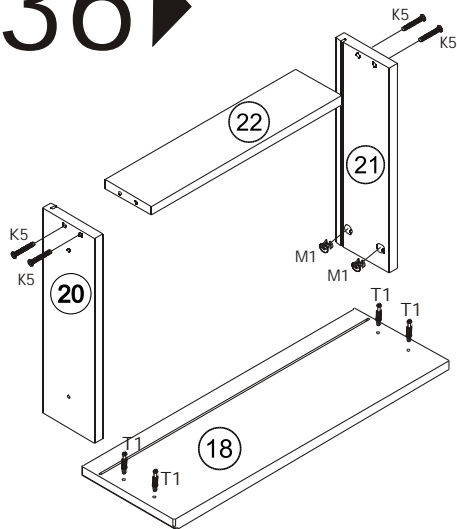
34 ▶



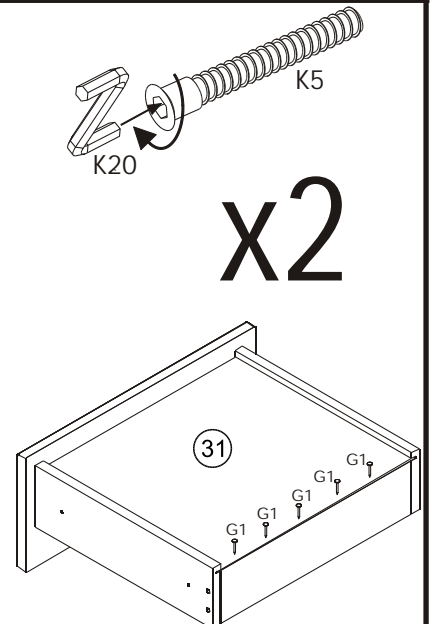
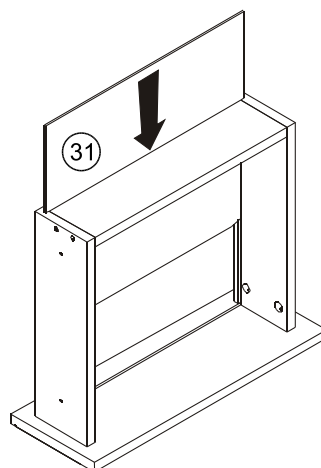
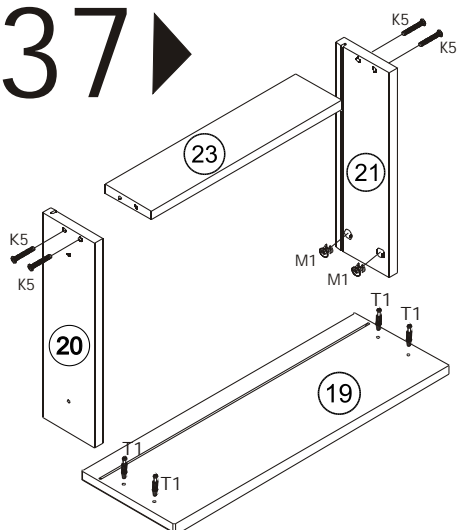
35 ▶



36 ▶



37 ▶



38 ▶

