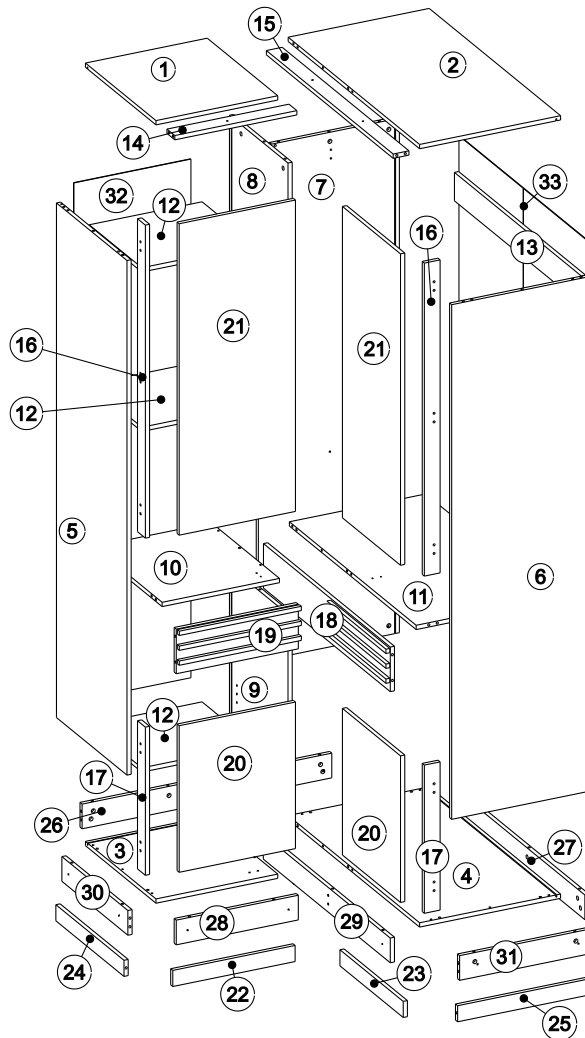
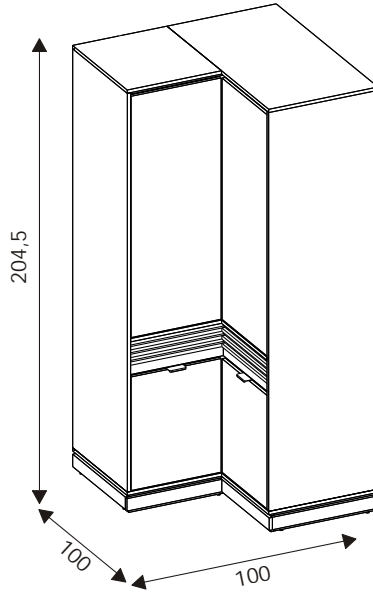
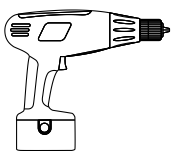
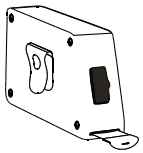
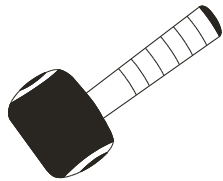
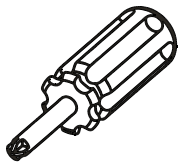
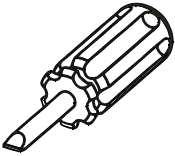
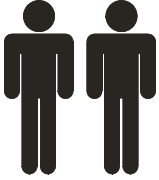
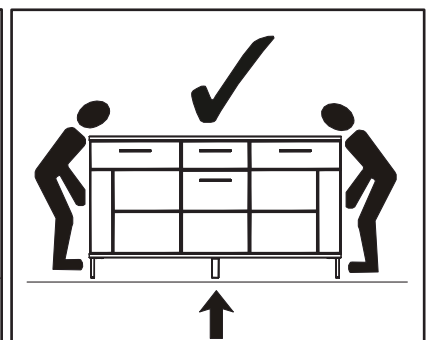
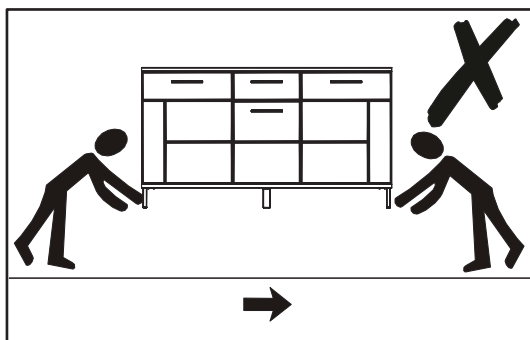
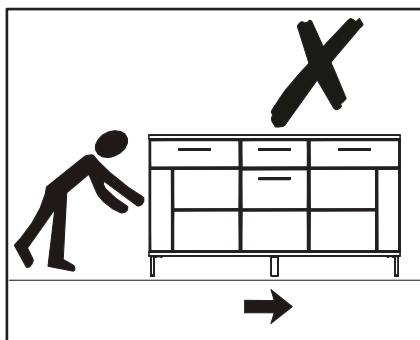
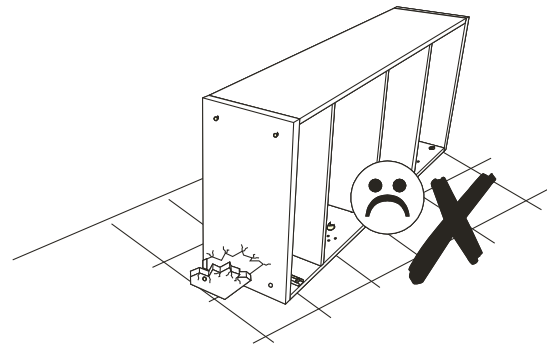
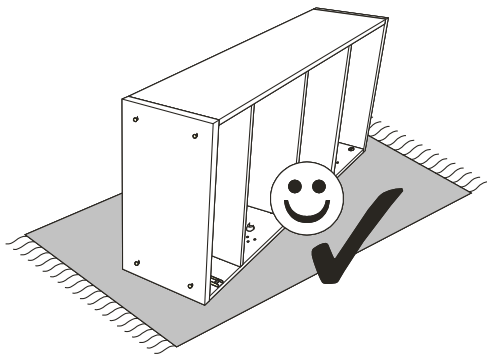
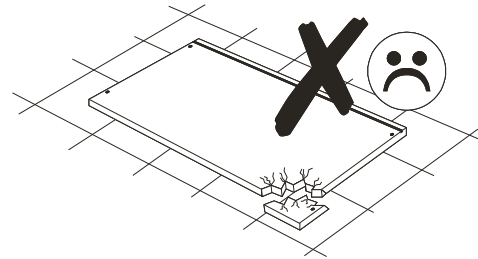
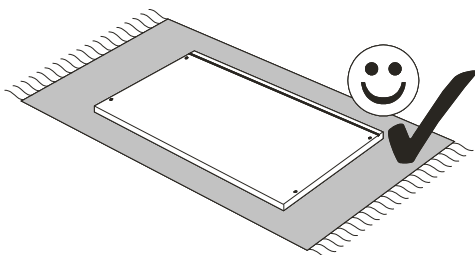
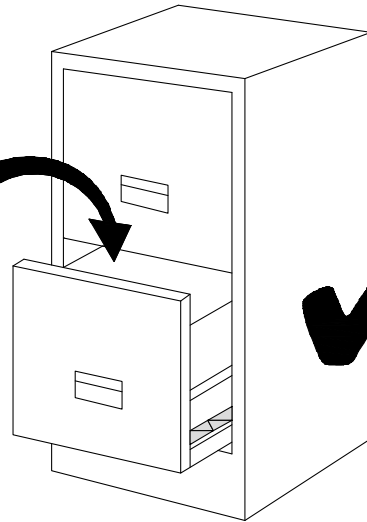
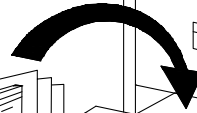
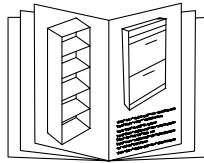
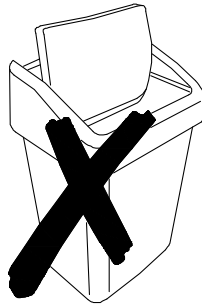
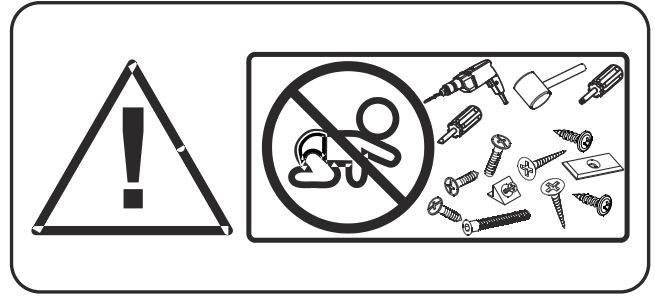


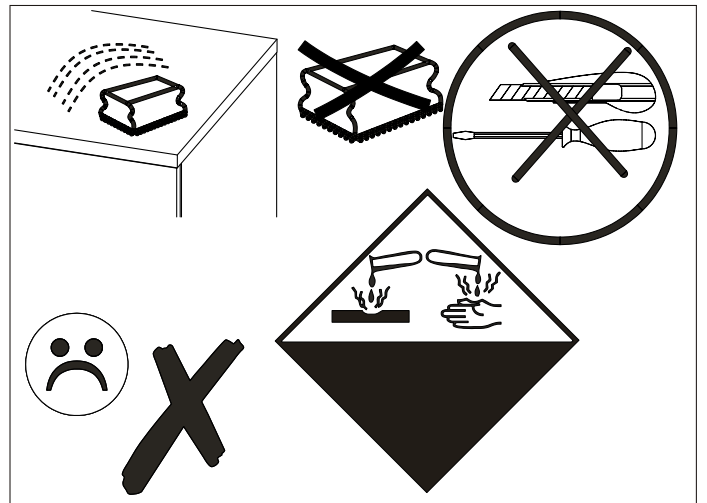
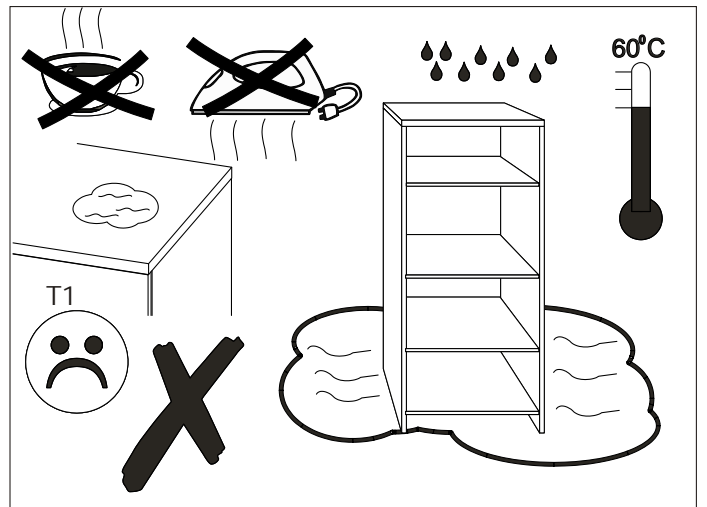
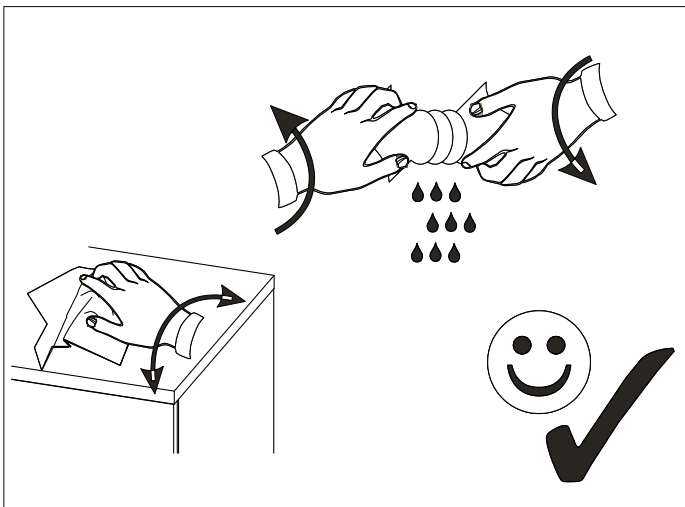
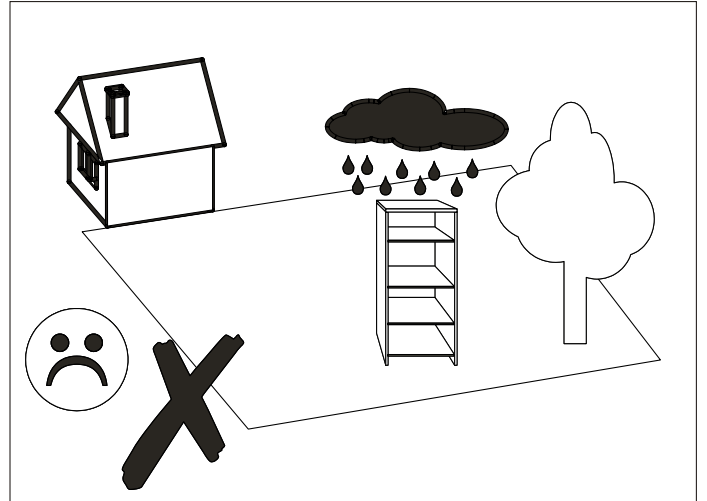
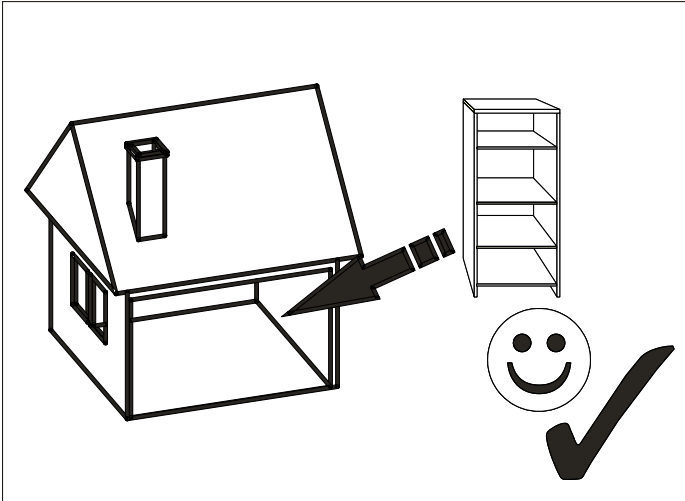
# MODEL: FE13

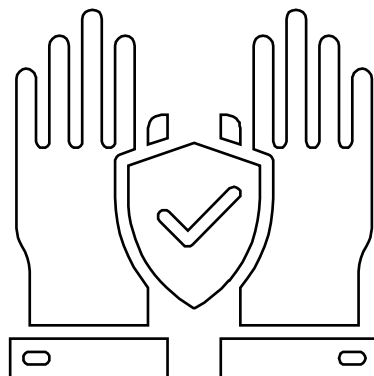
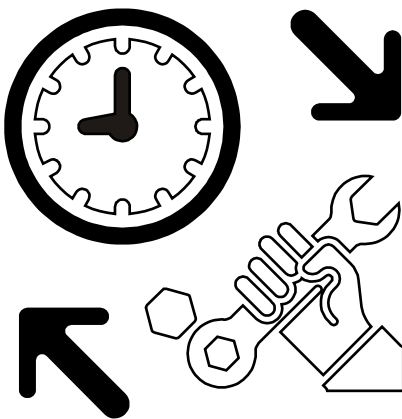
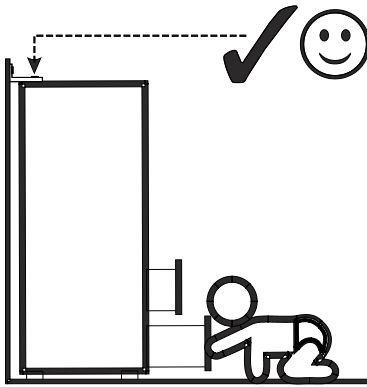
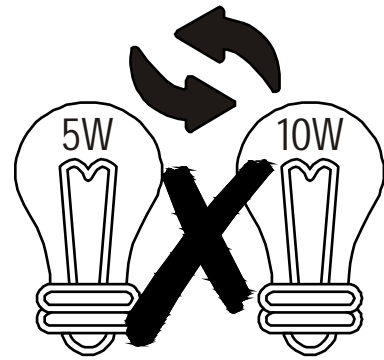
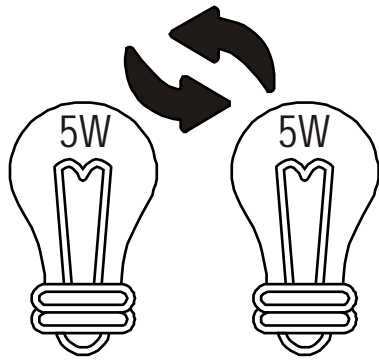
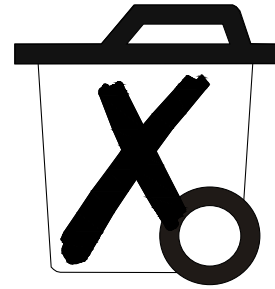
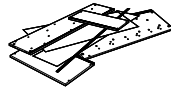
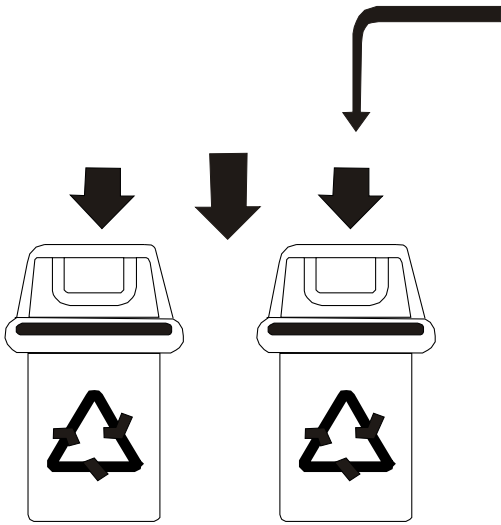
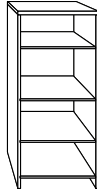


33	1932x978	2/4
32	1932x445	2/4
31	502x92	3/4
30	502x92	3/4
29	965x92	3/4
28	464x92	3/4
27	965x92	3/4
26	949x92	3/4
25	518x60	3/4
24	518x60	3/4
23	481x60	3/4
22	465x60	3/4
21	1160x442	4/4
20	546x442	4/4
19	464x166	4/4
18	964x166	4/4
17	552x60	3/4
16	1166x60	3/4
15	964x60	3/4
14	464x60	3/4
13	964x106	3/4
12	429x400	1/4
11	964x518	1/4
10	446x518	1/4
9	719x445	3/4
8	1182x445	3/4
7	1917x536	2/4
6	1917x536	2/4
5	1917x536	2/4
4	999x536	1/4
3	463x536	1/4
2	999x536	1/4
1	463x536	1/4

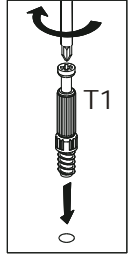
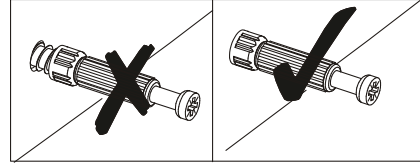
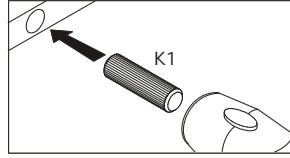
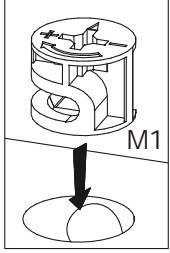
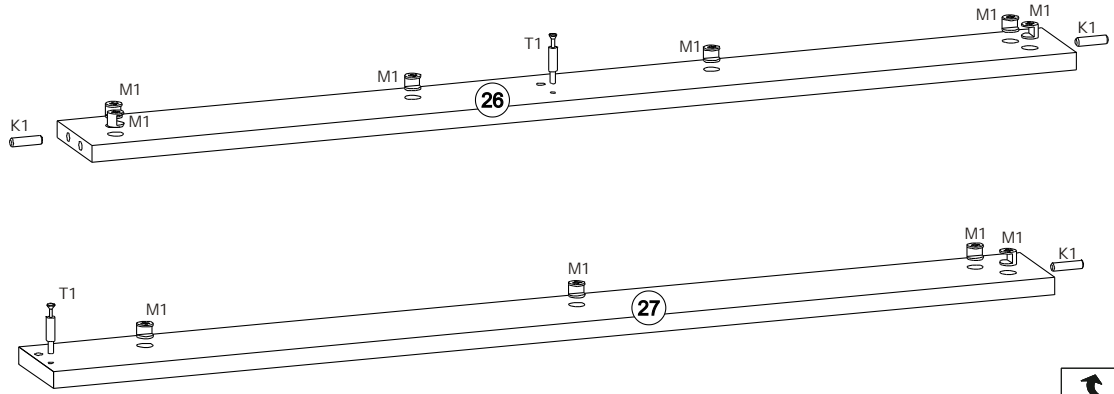
	6x 8x50 K2	1x L-957 D1	1x LK008121S E1	2x 6.4x50 K5	20x 6.3x31 E1	2x R1	3x Z10	2x H2
22x #20/B63 ZN1	36x 3.5x16 W3	28x ST1	2x U1	3x #14/B63 ZN2	28x 3x20 W9	10x ZC1	11x 4x30 W4	8x N1
2x WS1	42x 8x30 K1	3x 4x13 WP4	12x B1	83x #15/15 M1	65x DU232T T1	1x K20	8x 2x20 G1	9x T3



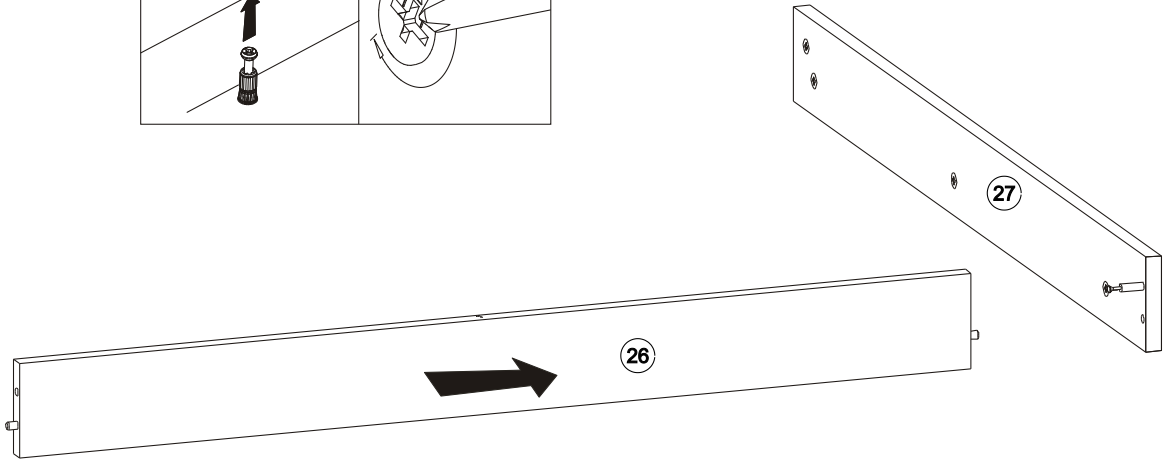
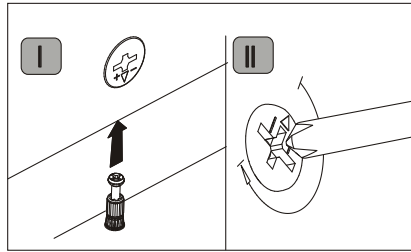




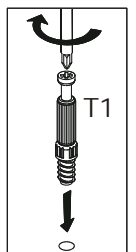
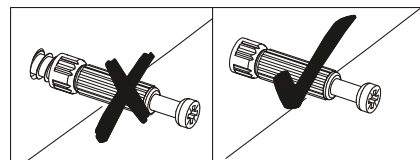
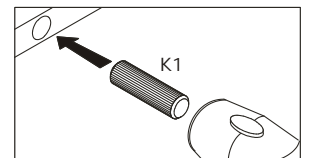
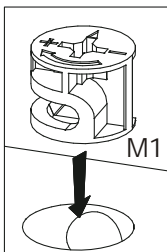
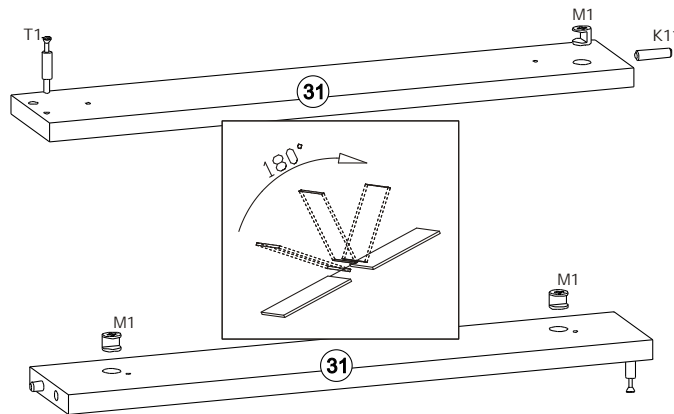
1 ▶



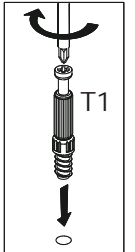
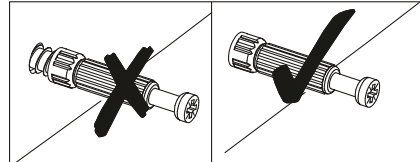
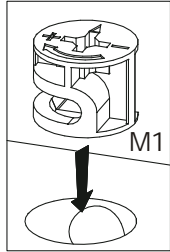
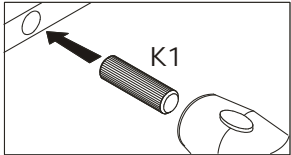
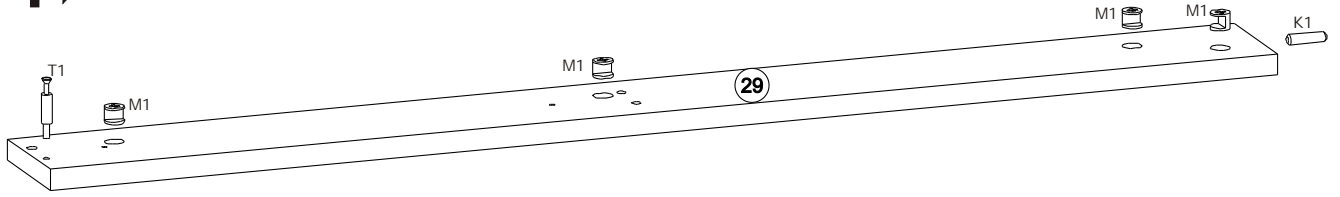
2 ▶



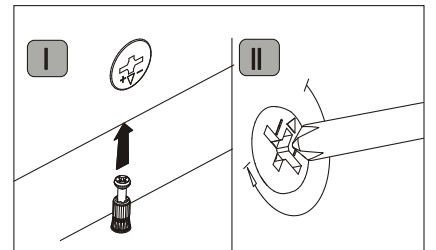
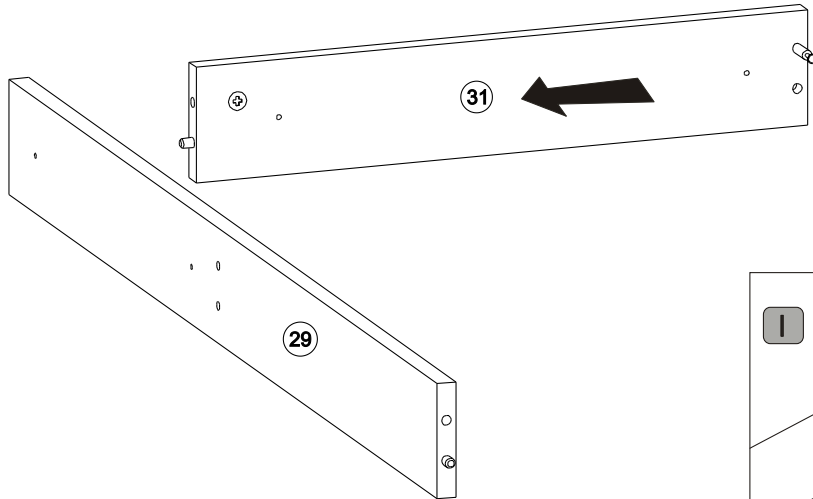
3 ▶



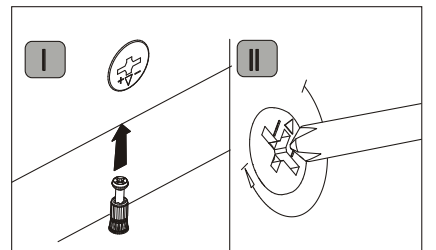
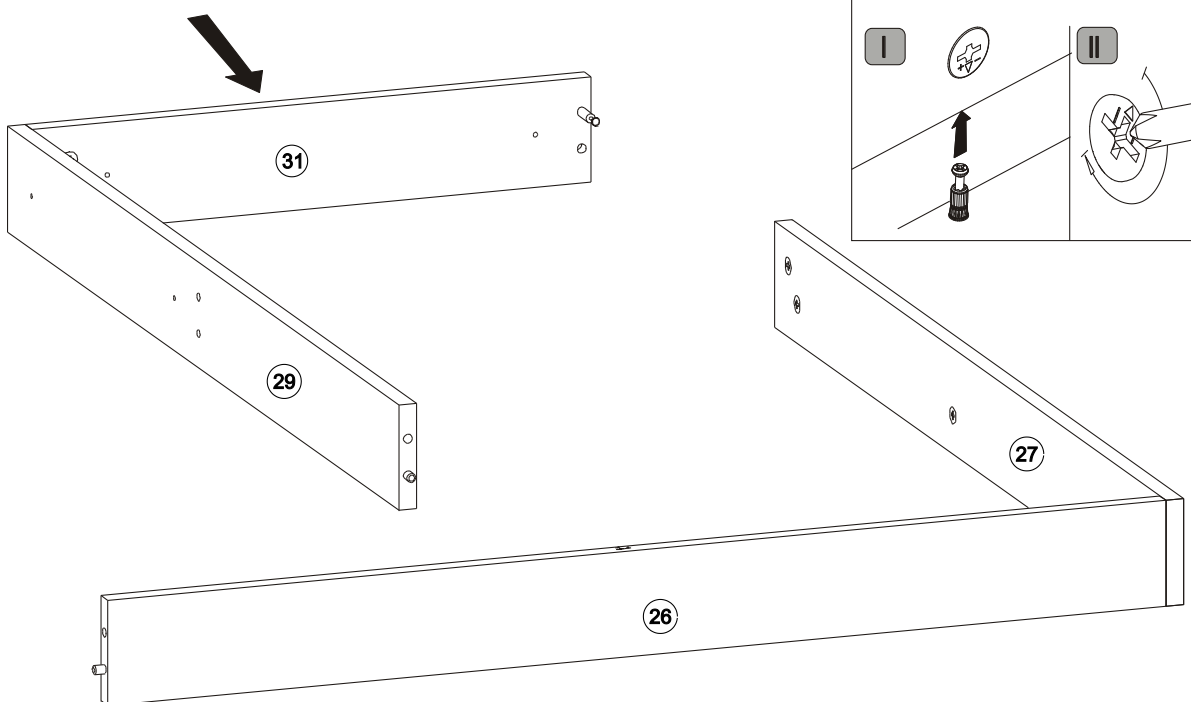
4 ▶



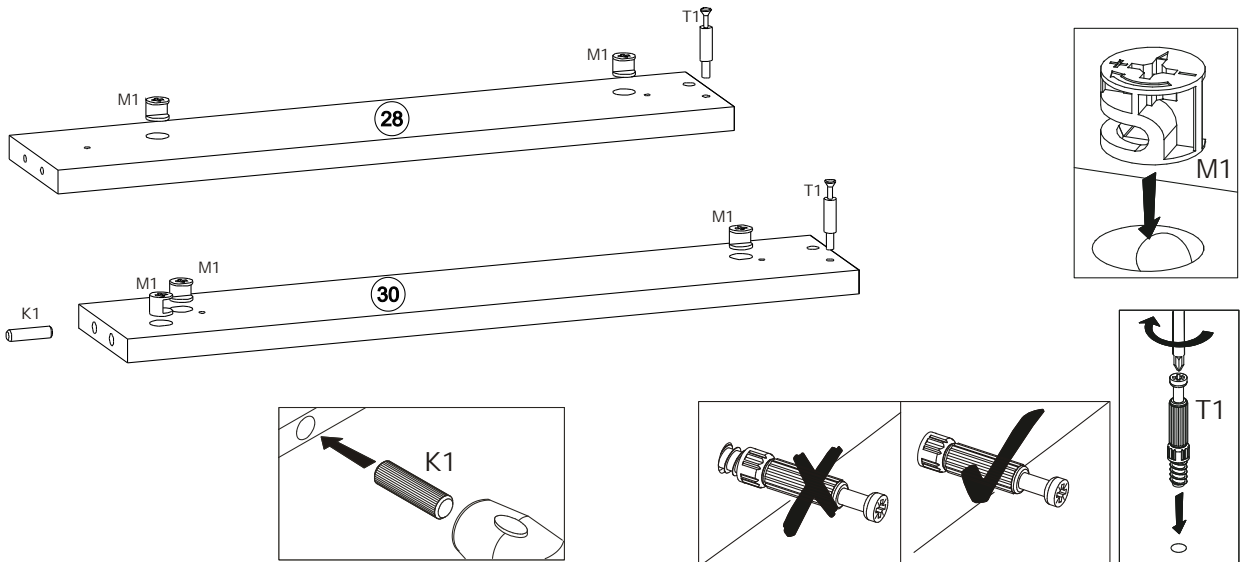
5 ▶



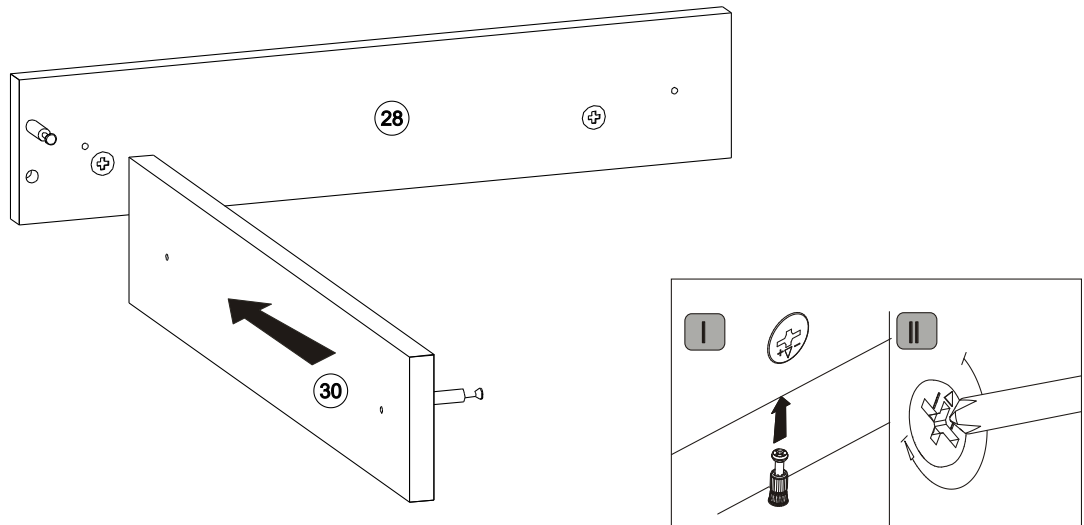
6 ▶



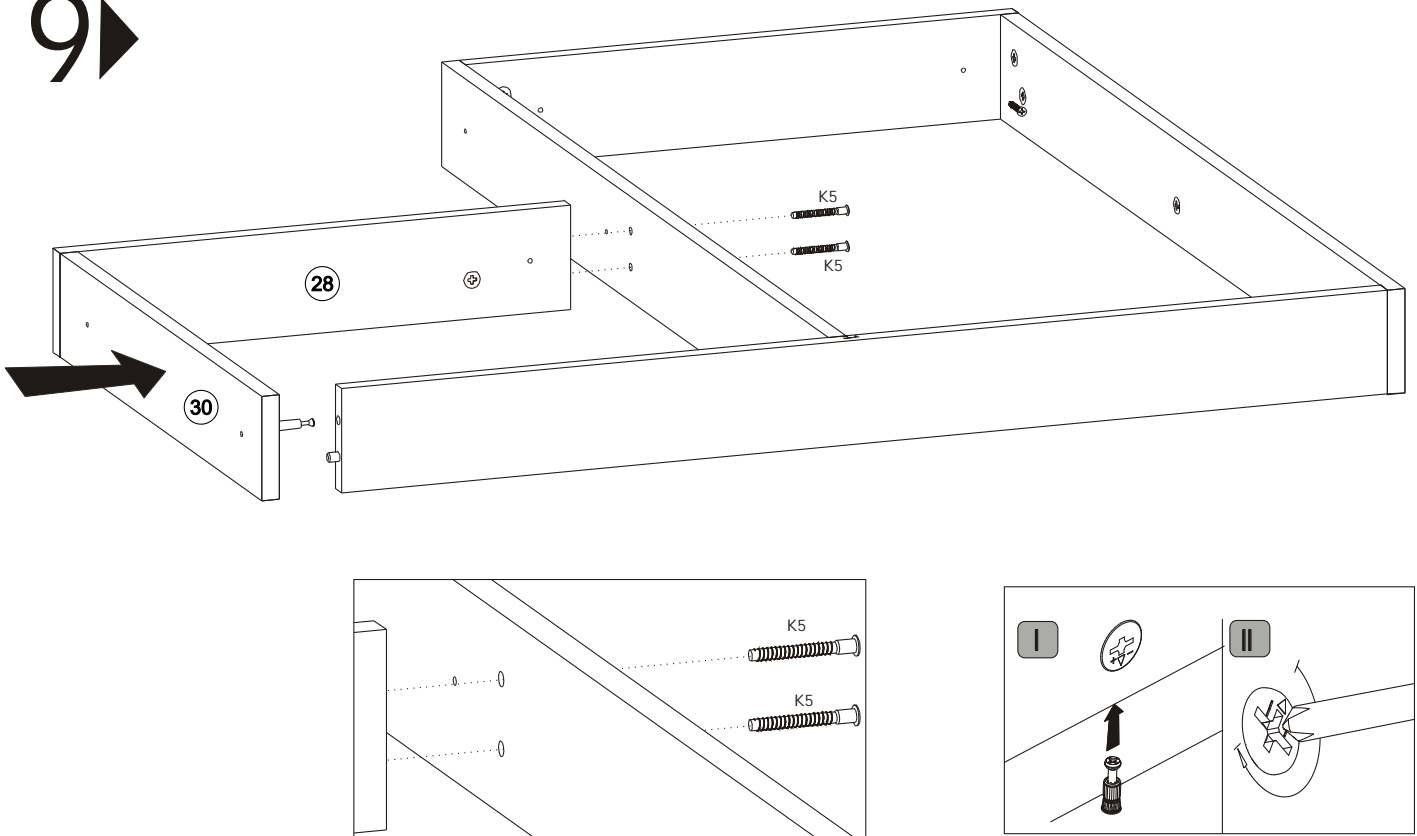
7 ▶



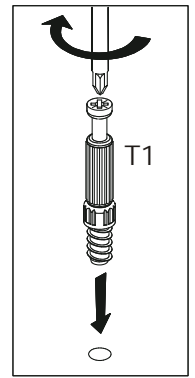
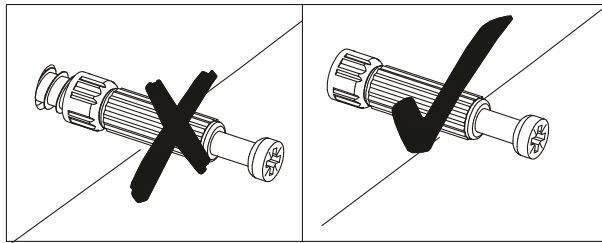
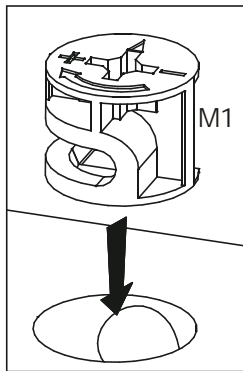
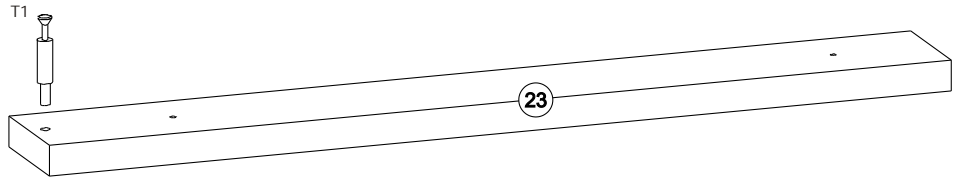
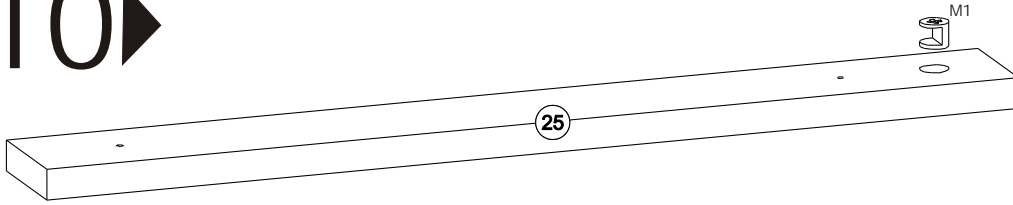
8 ▶



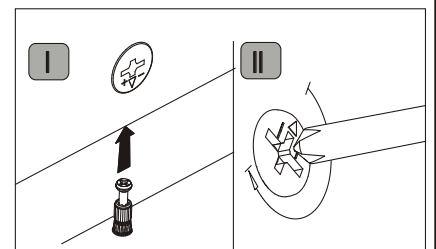
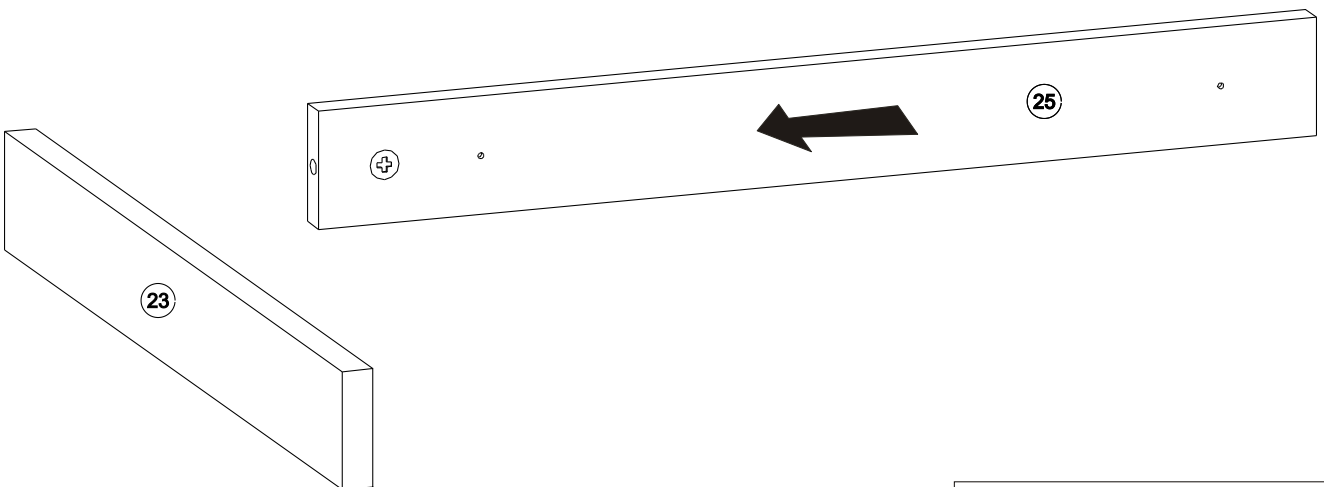
9 ▶



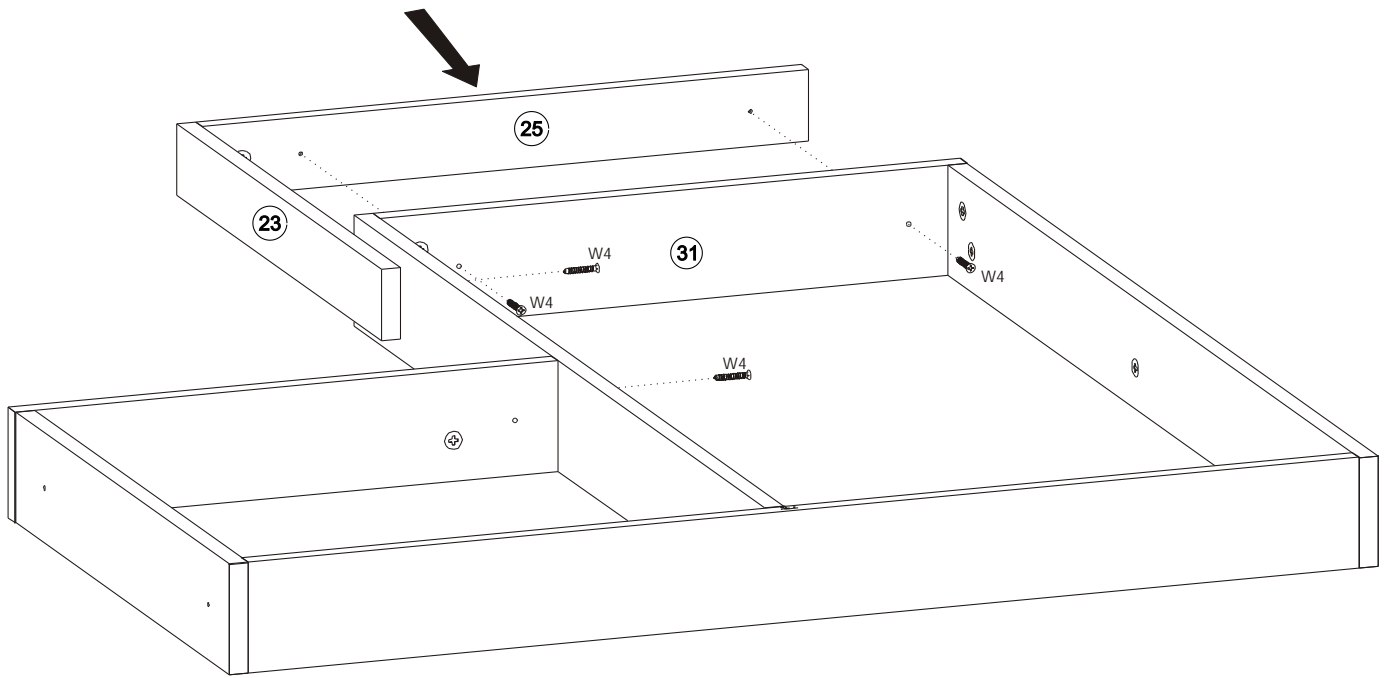
10▶



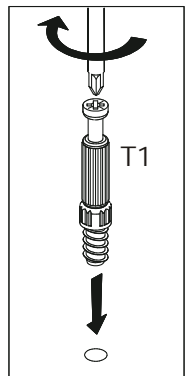
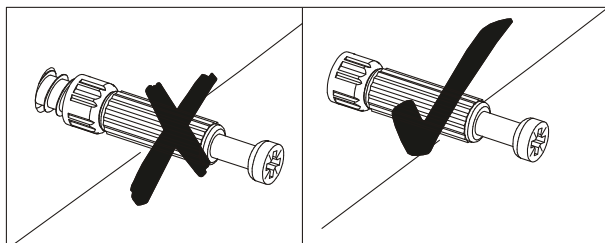
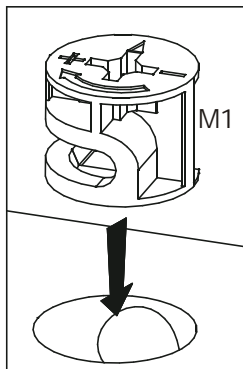
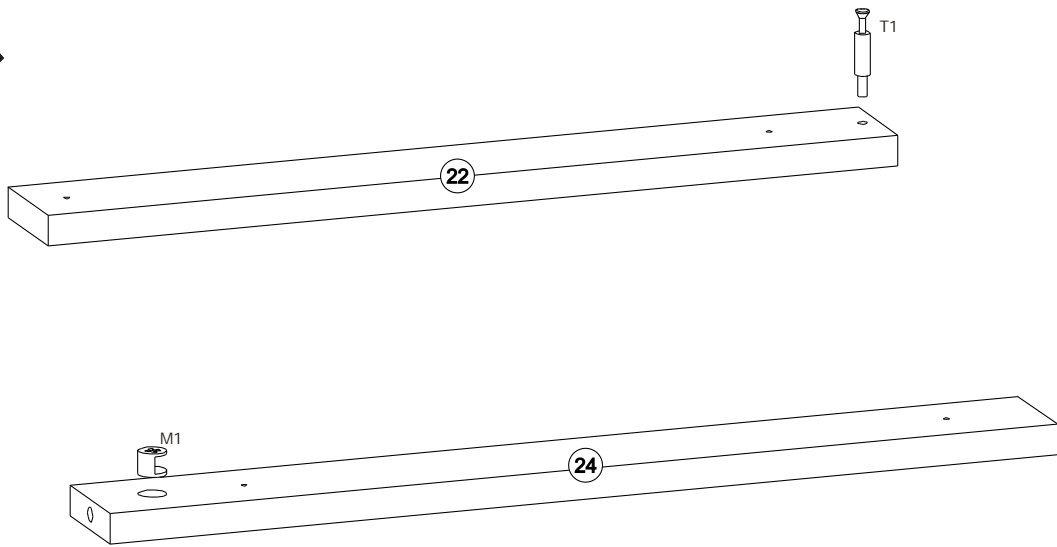
11▶



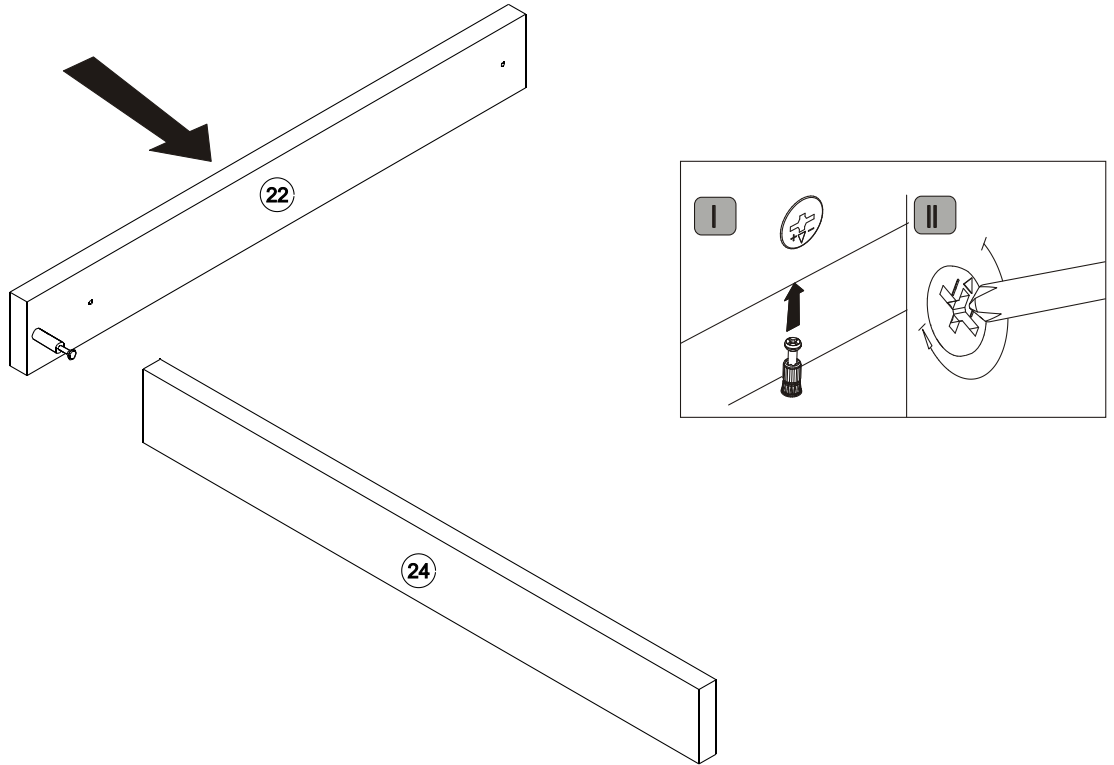
12▶



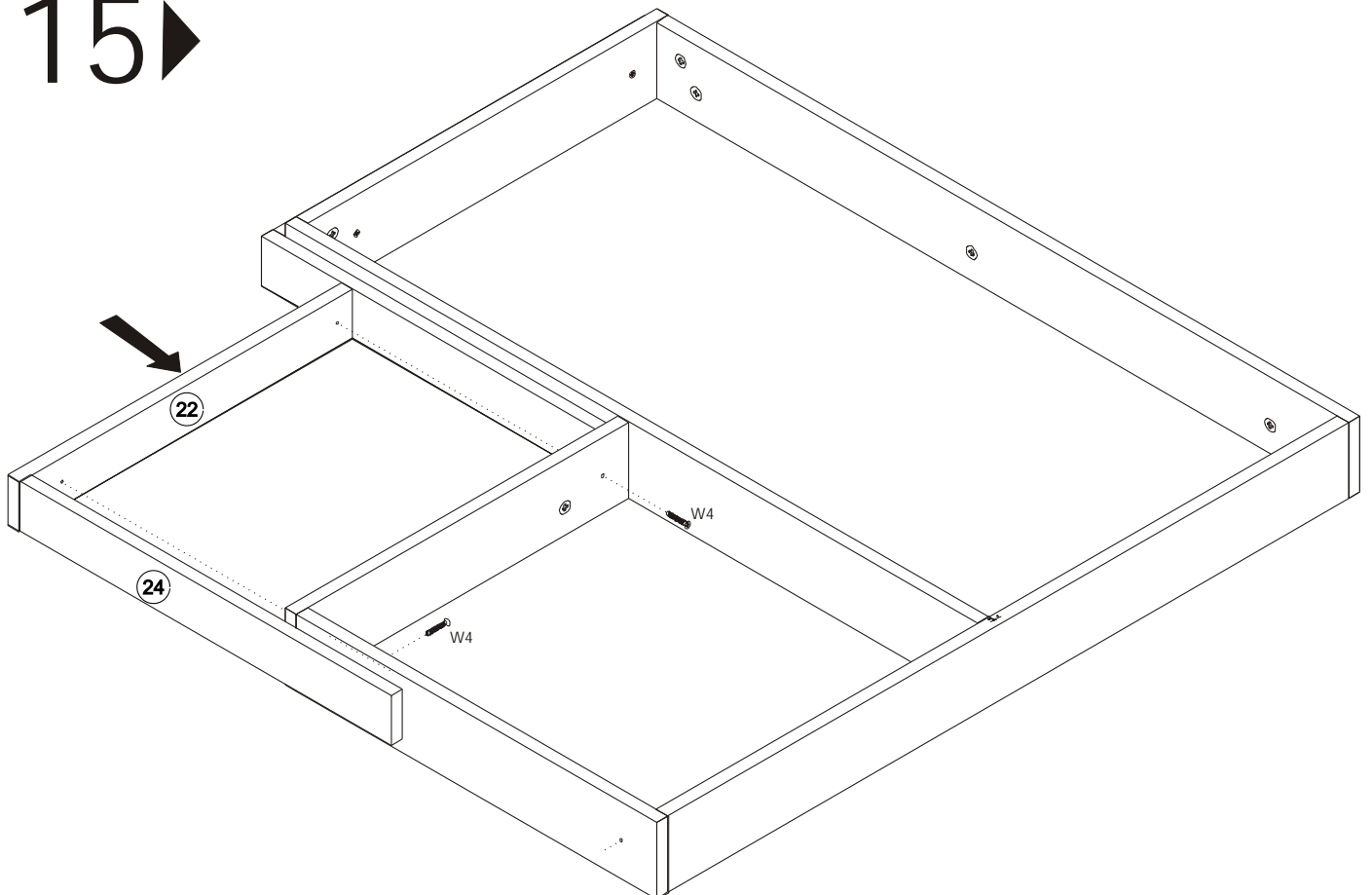
13▶



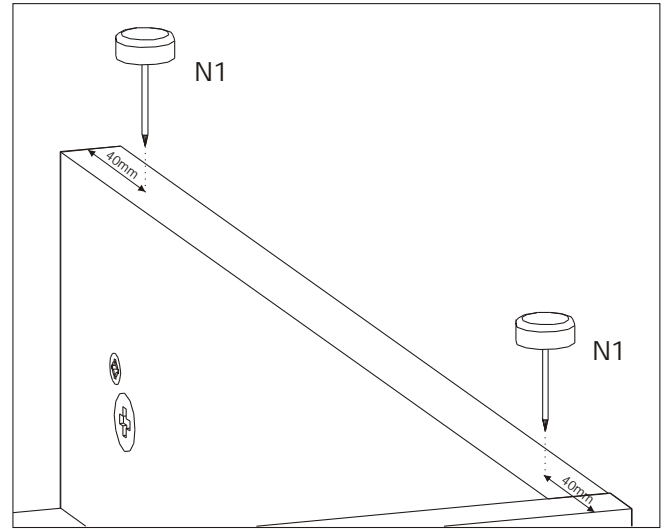
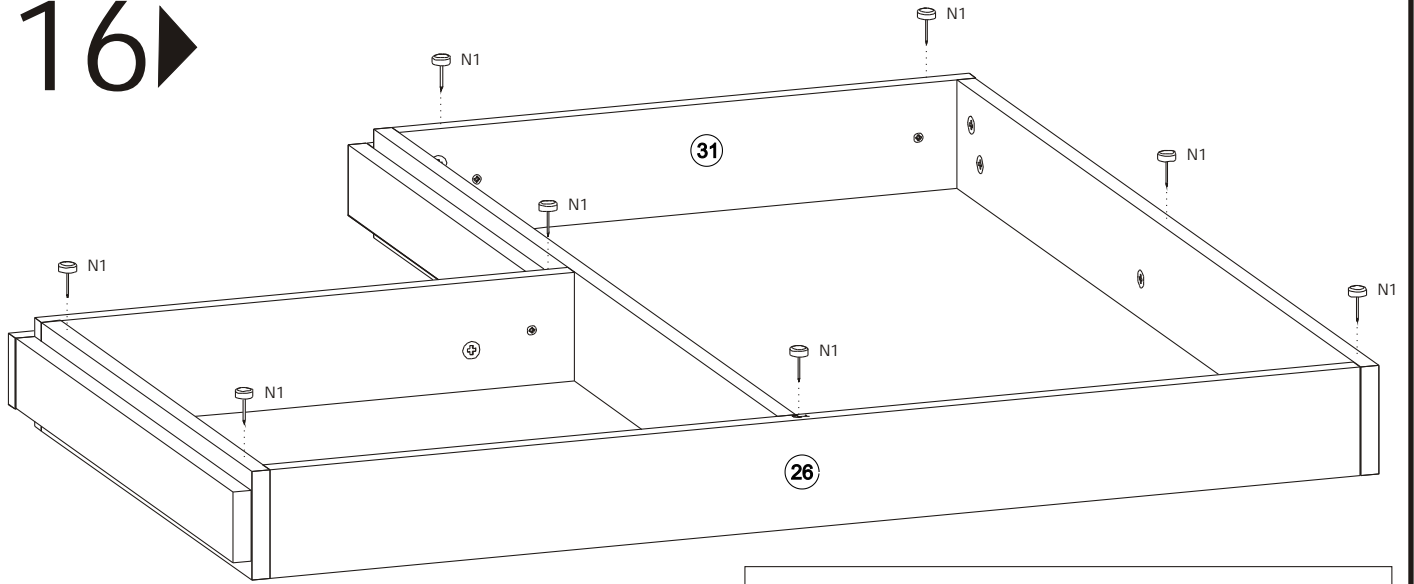
14 ▶



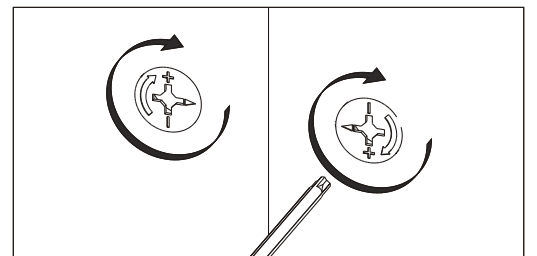
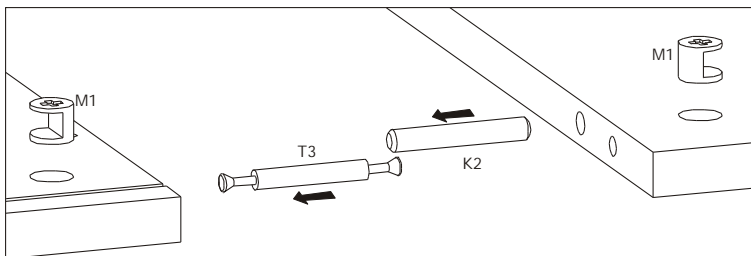
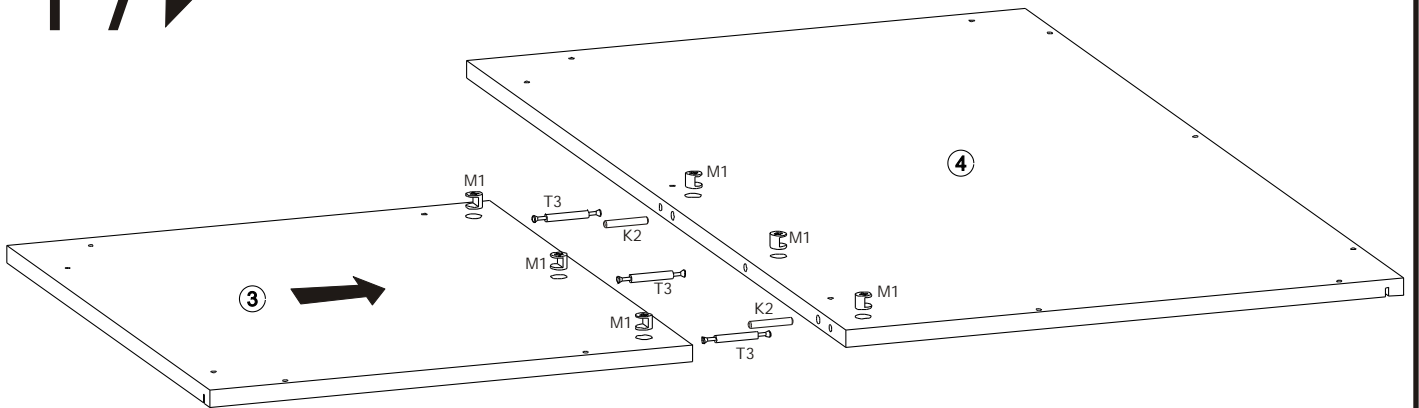
15 ▶



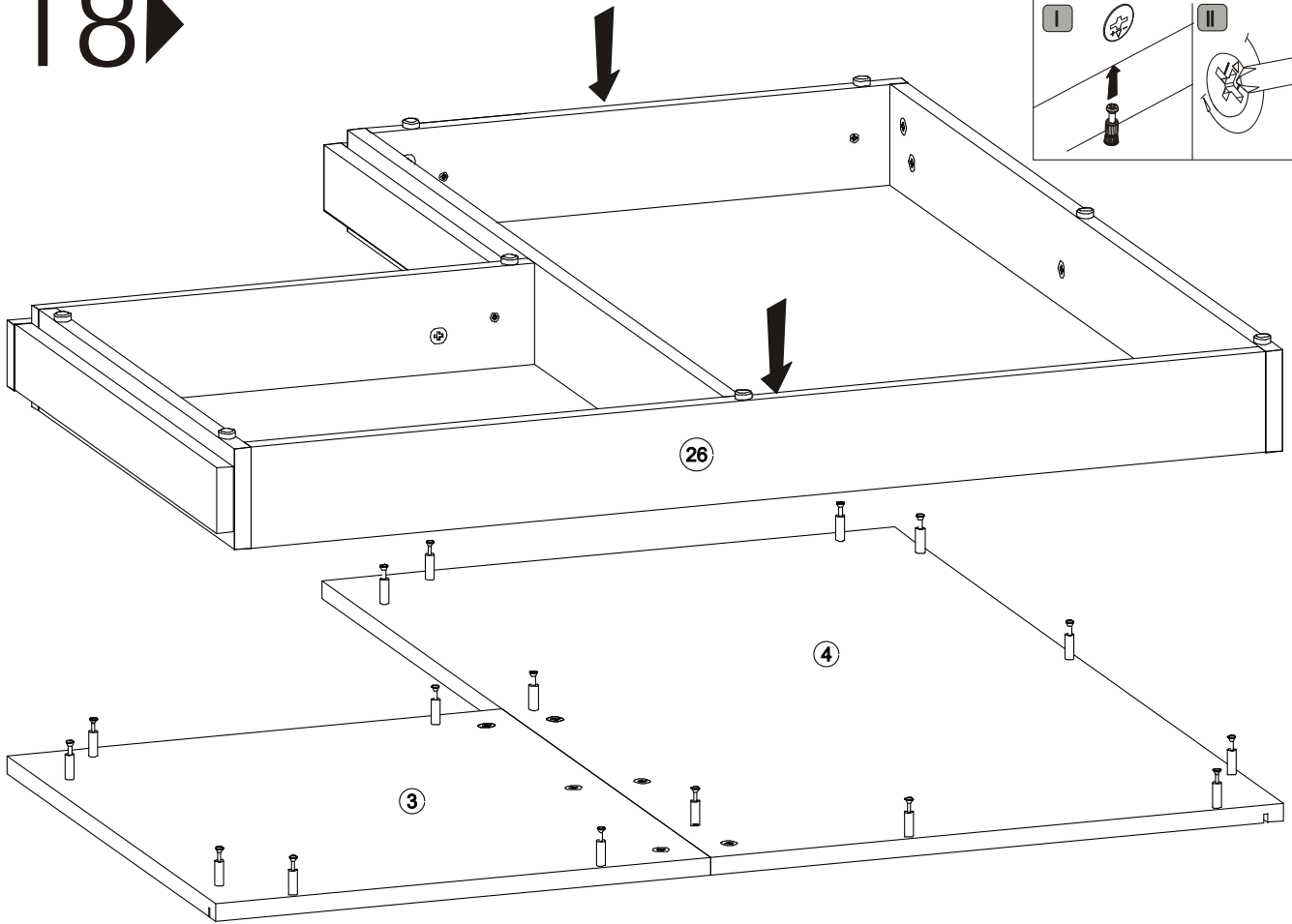
# 16▶



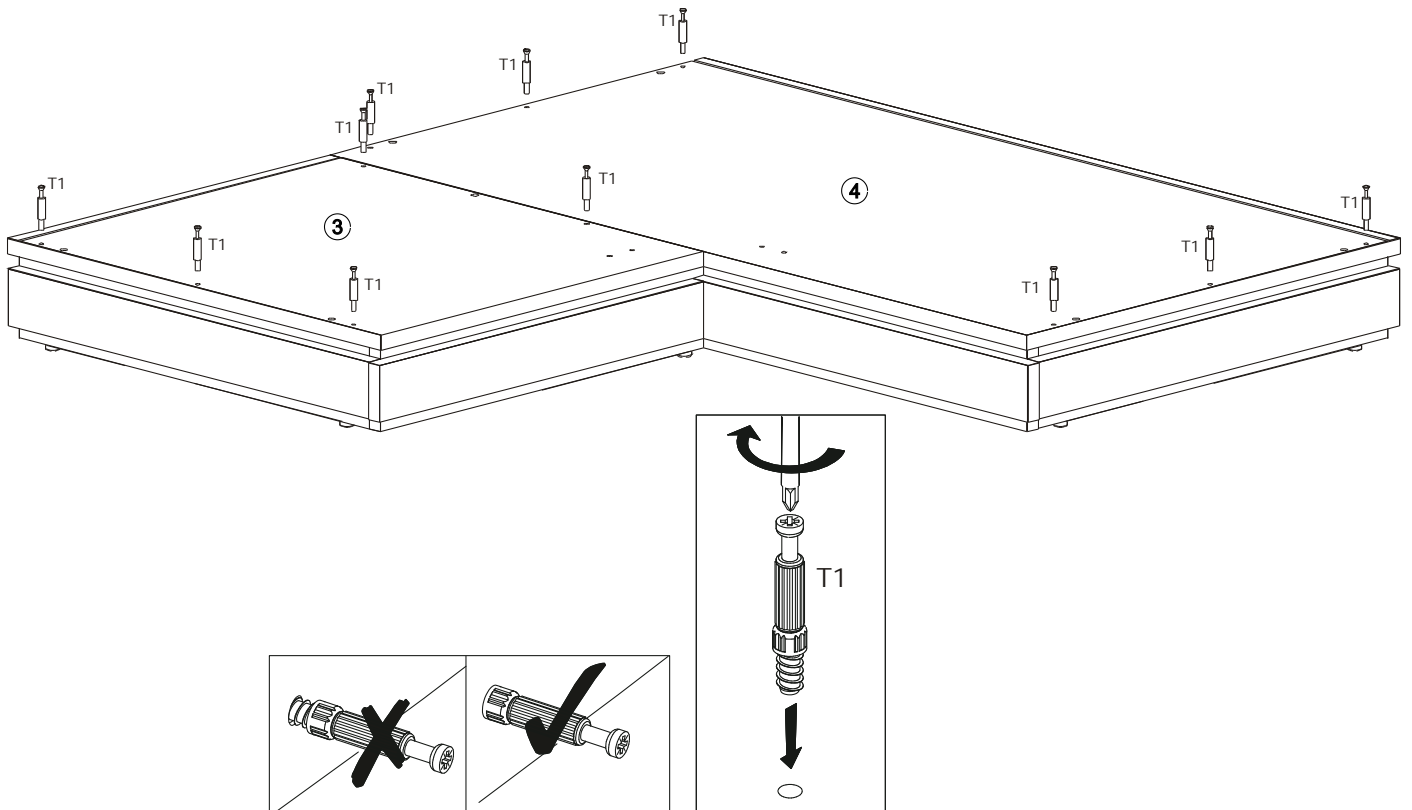
# 17▶



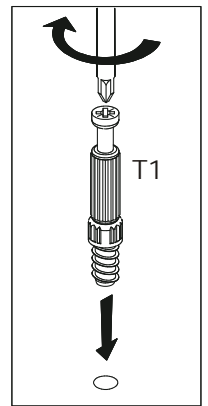
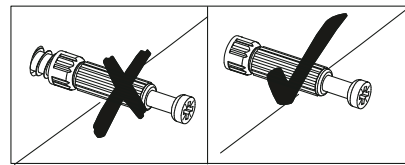
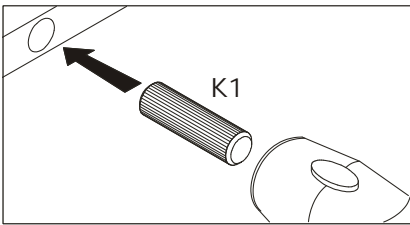
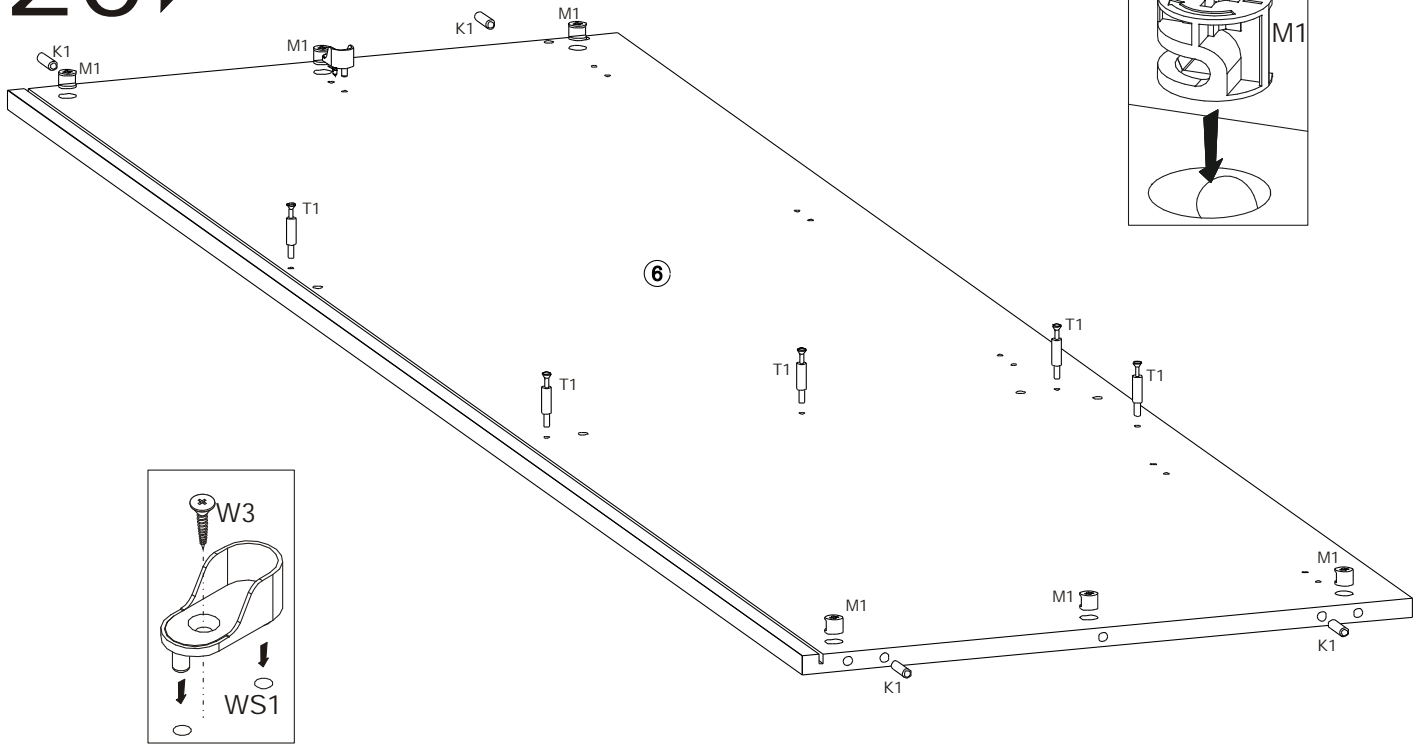
# 18▶



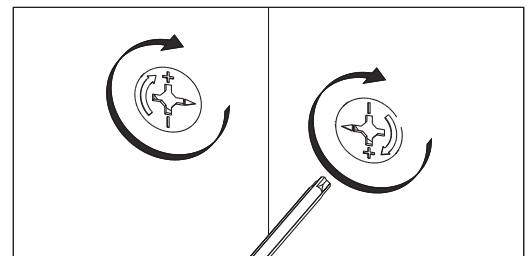
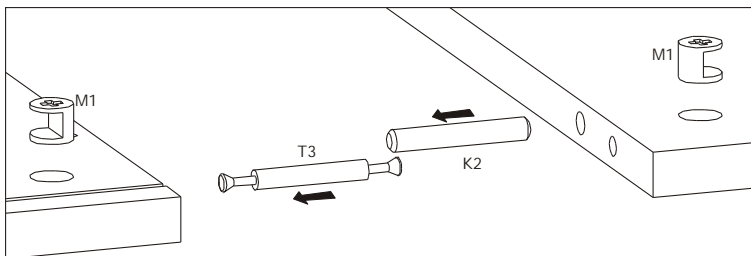
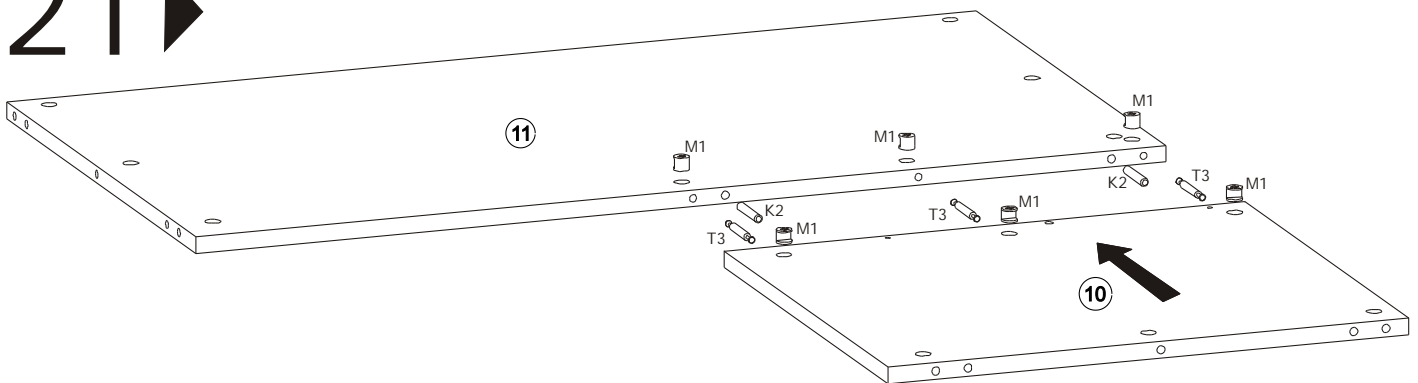
# 19▶



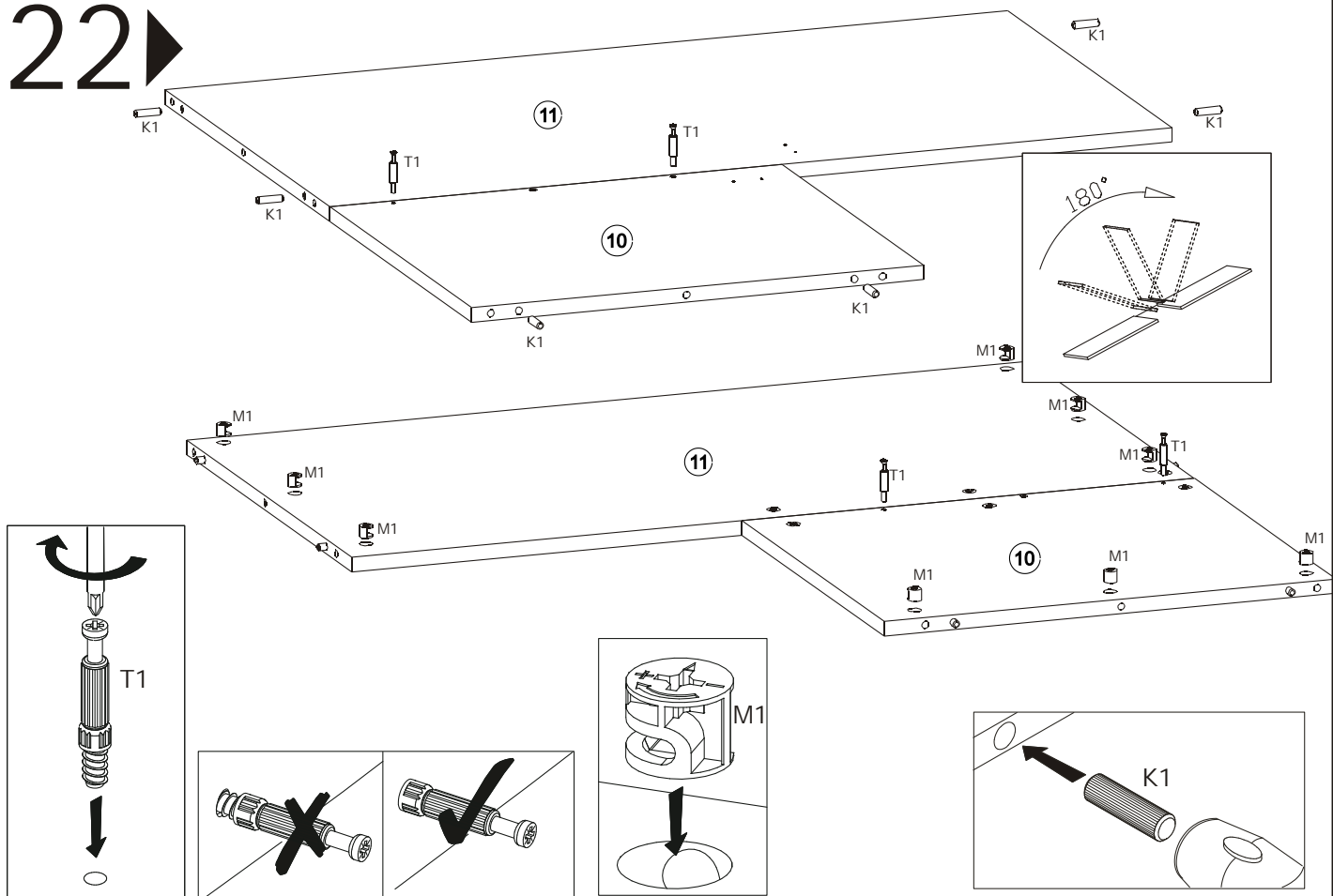
# 20 ▶



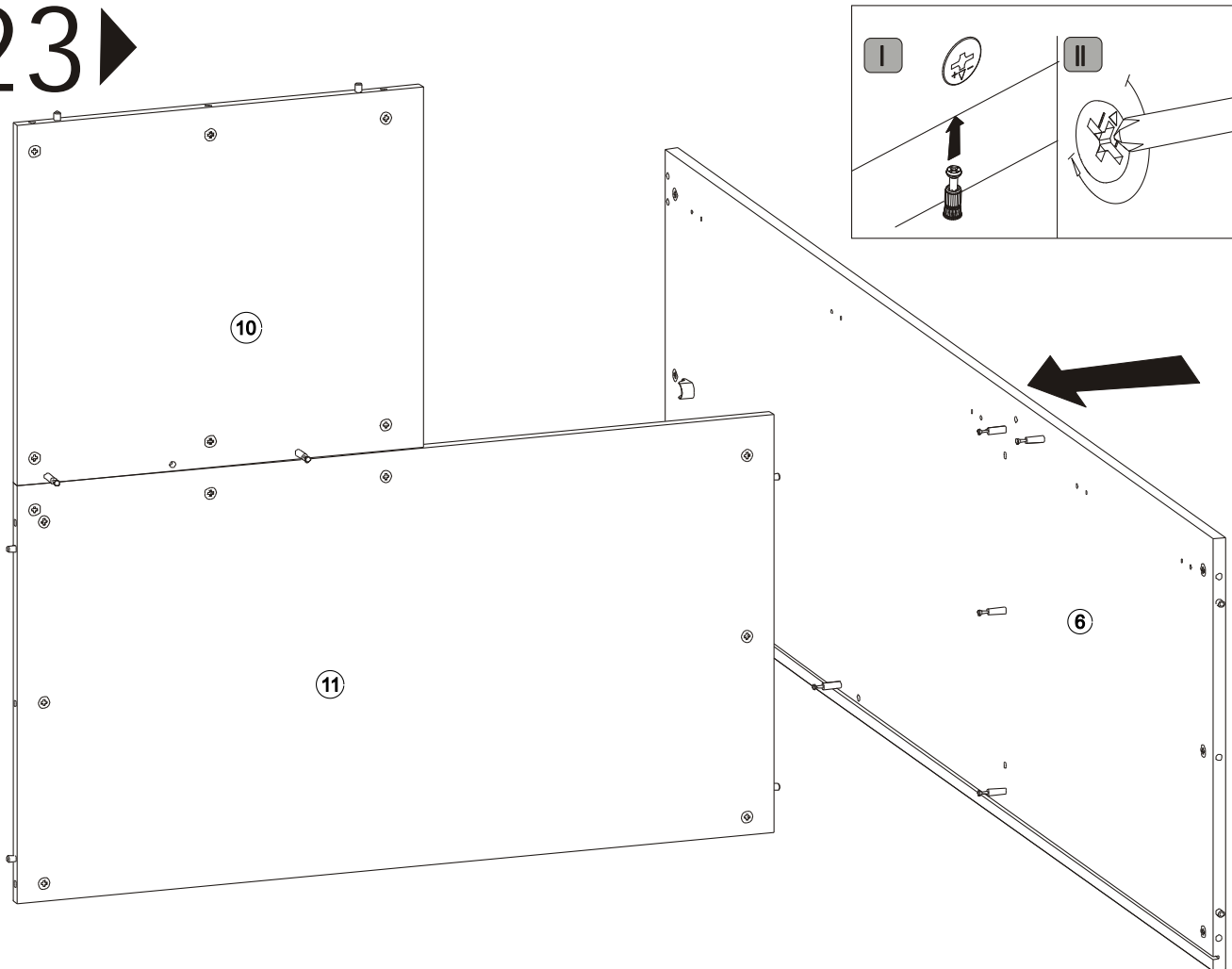
# 21 ▶



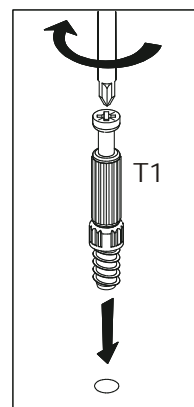
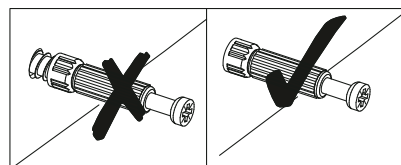
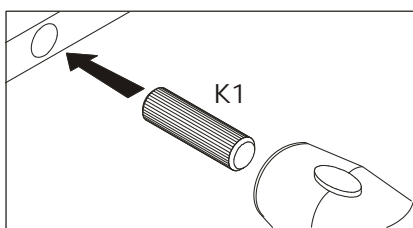
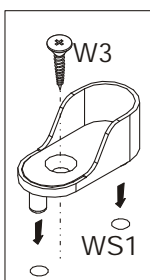
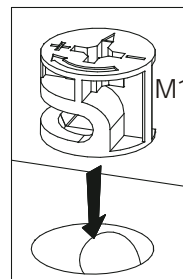
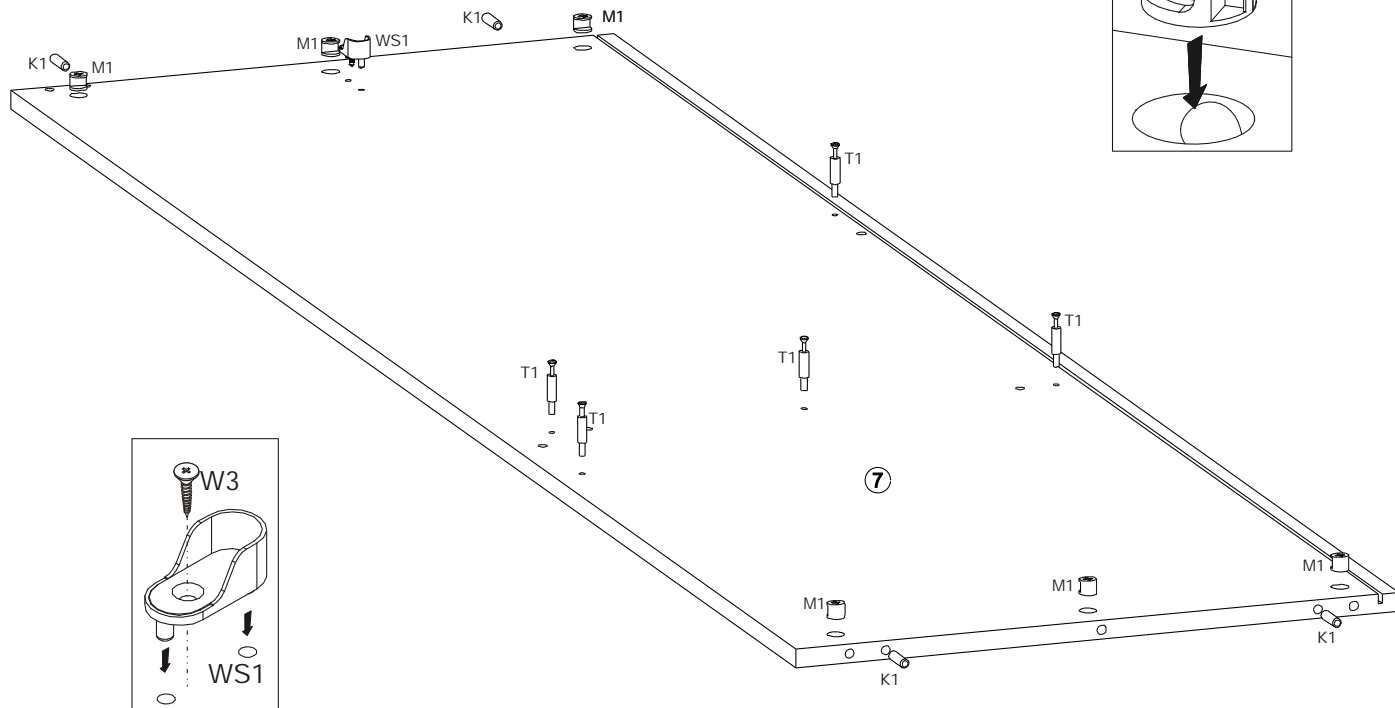
# 22 ▶



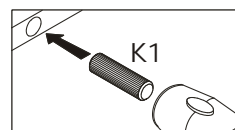
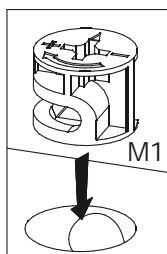
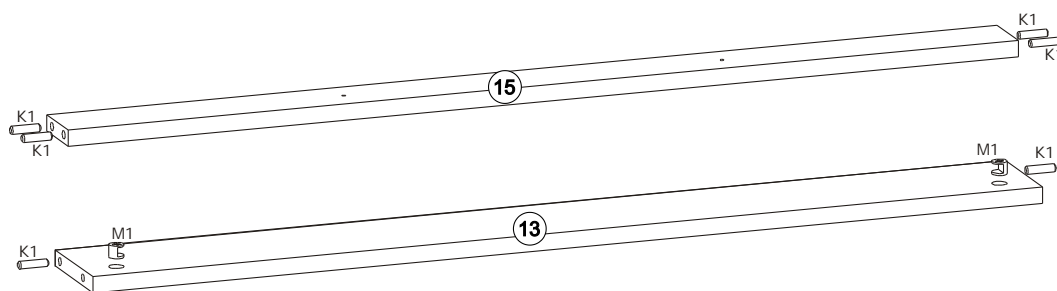
# 23 ▶



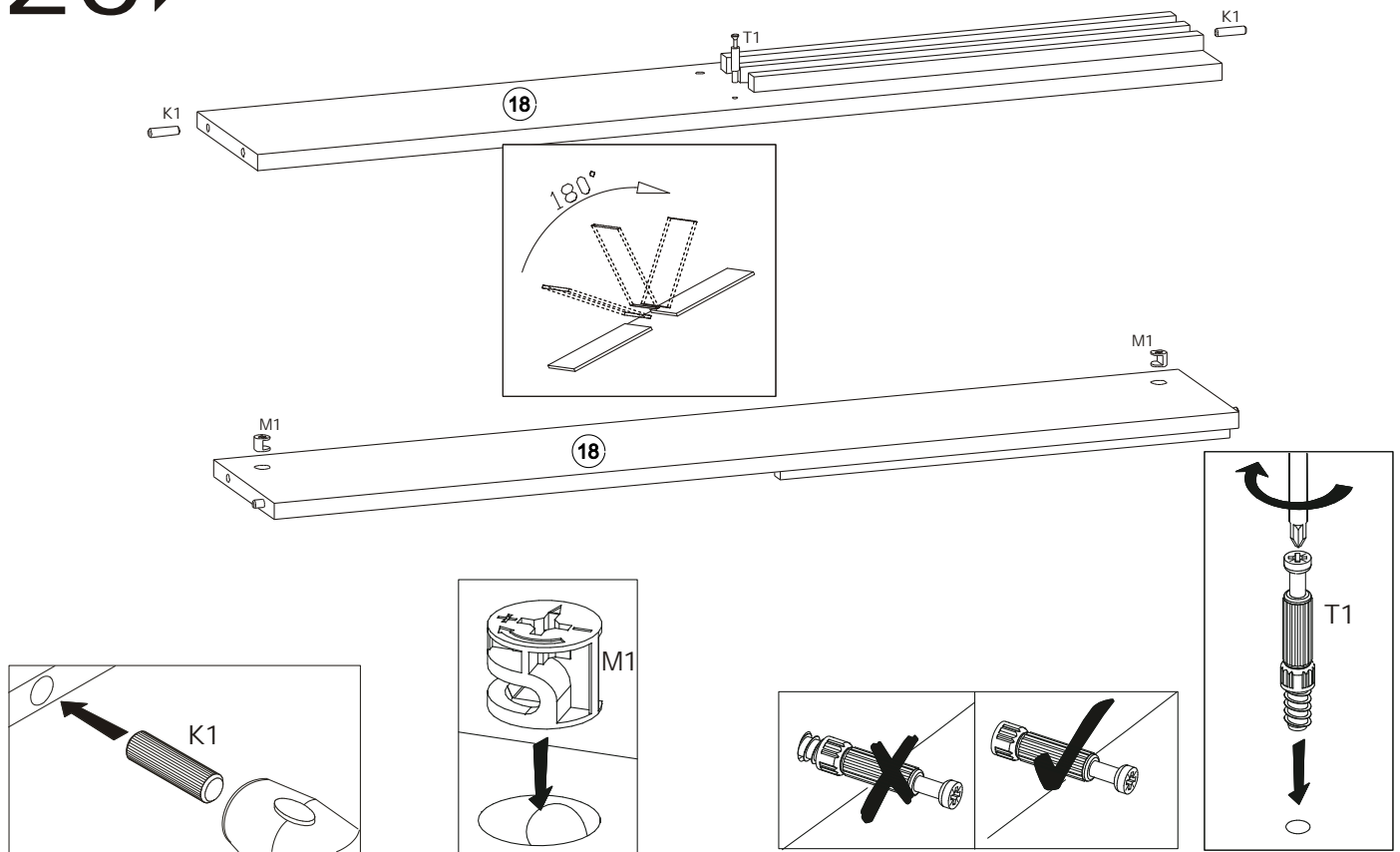
# 24 ▶



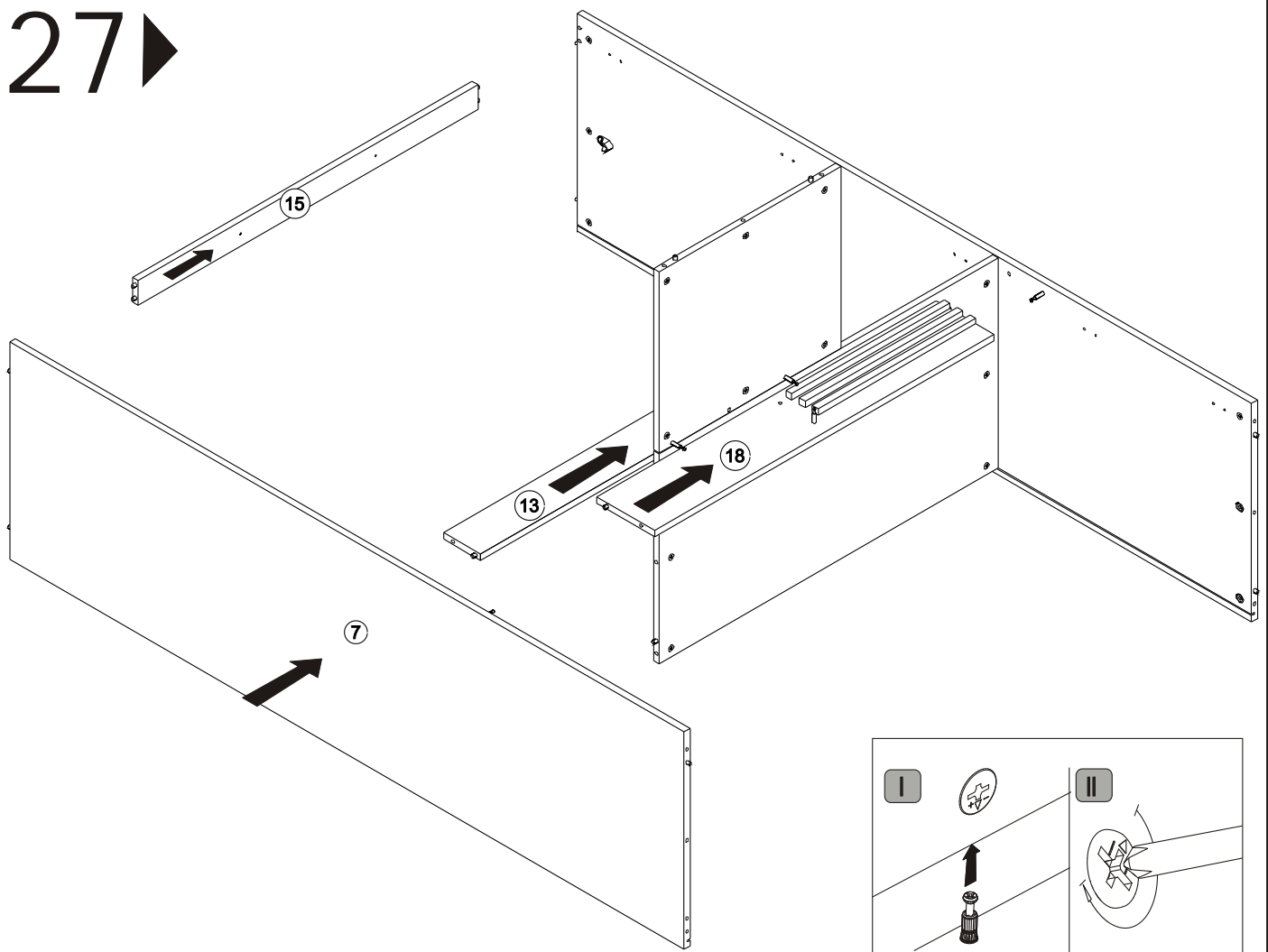
# 25 ▶



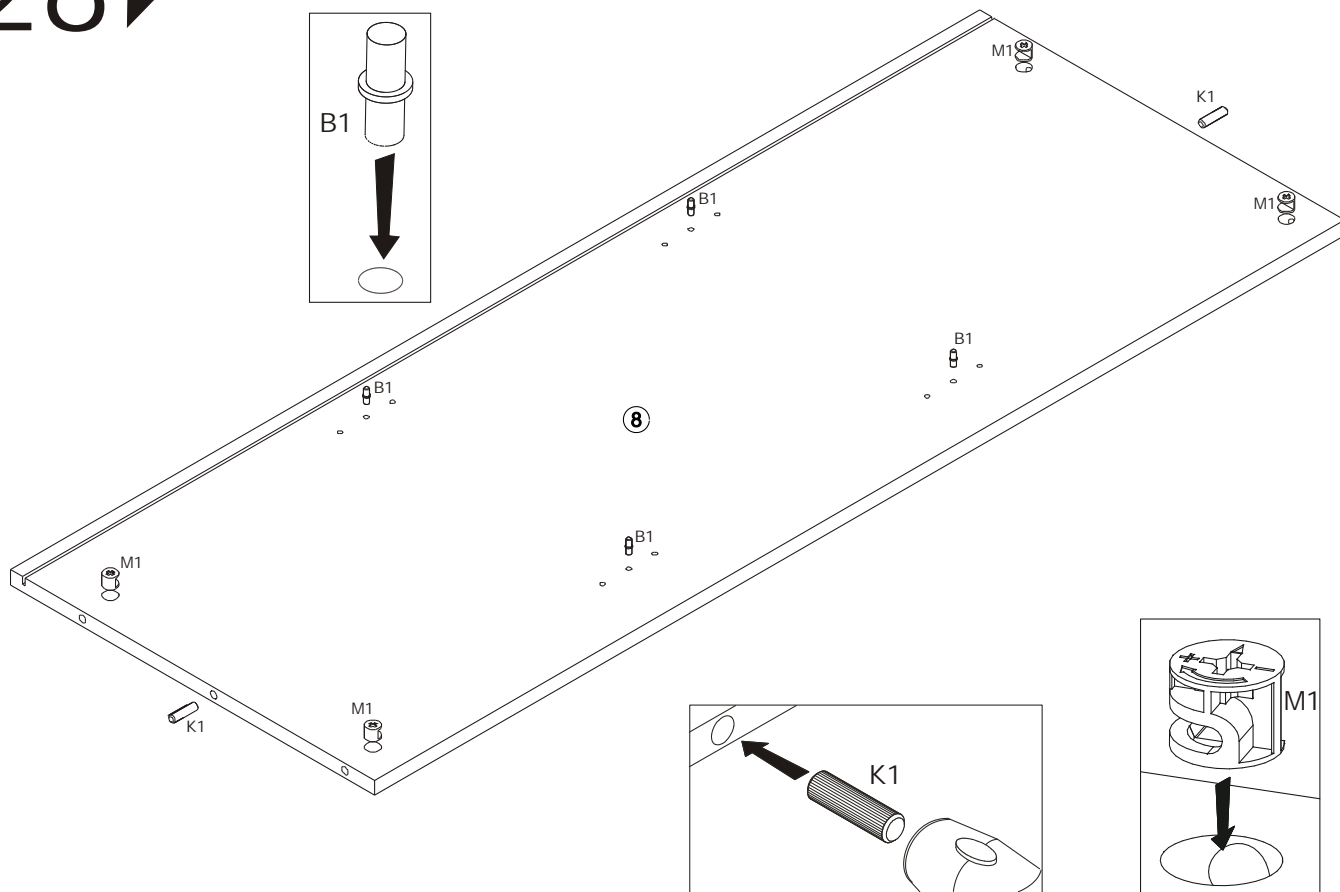
# 26 ▶



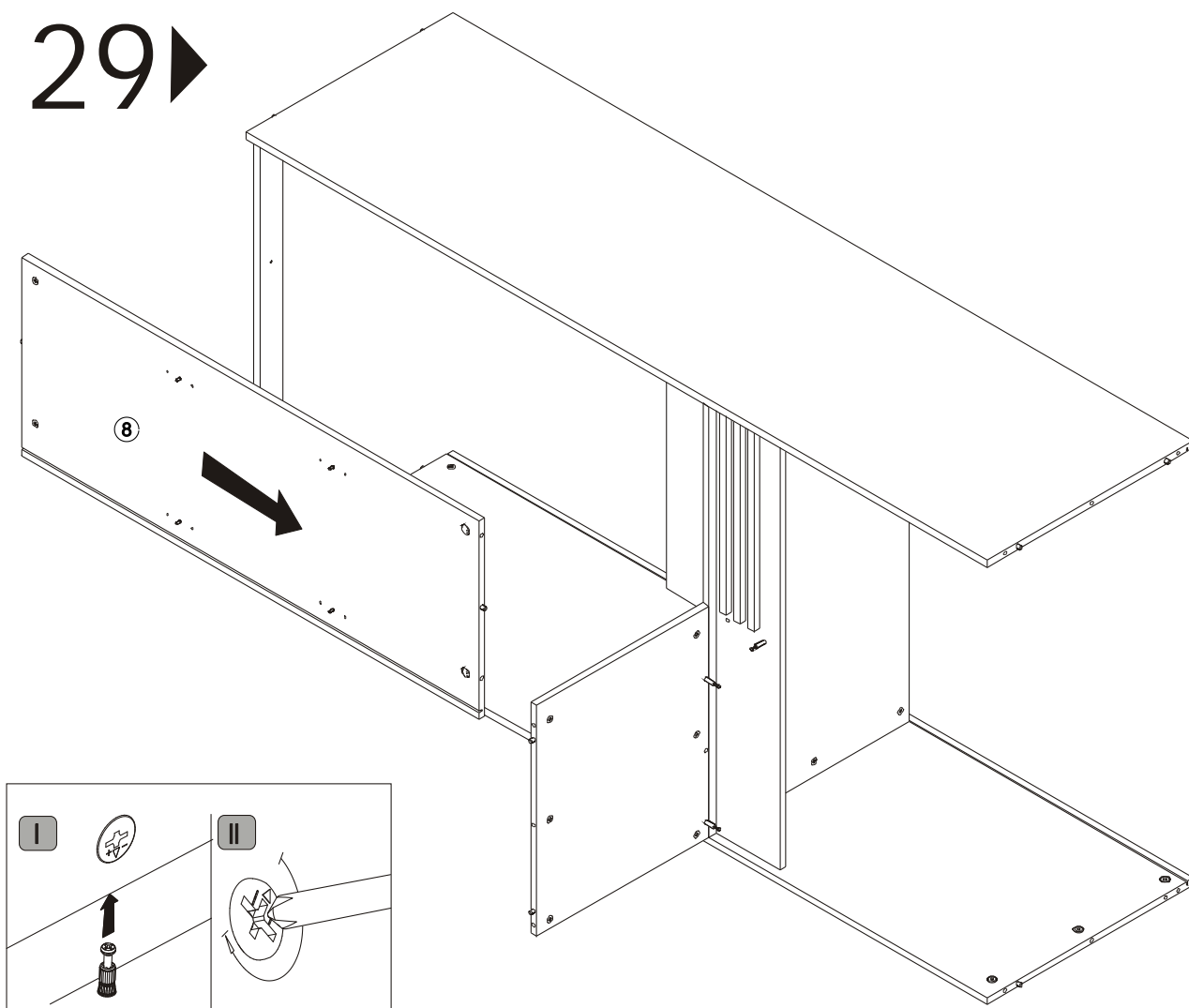
# 27 ▶



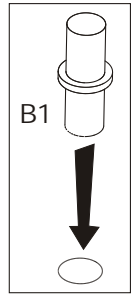
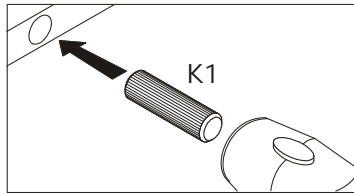
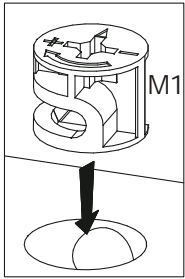
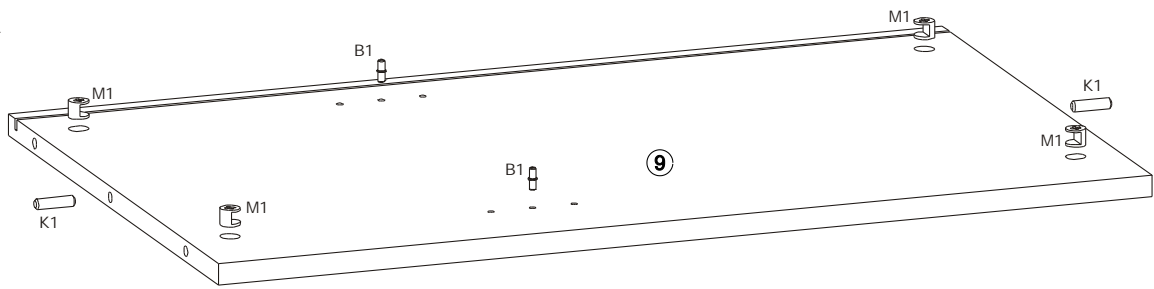
# 28 ▶



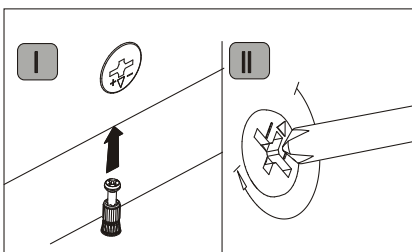
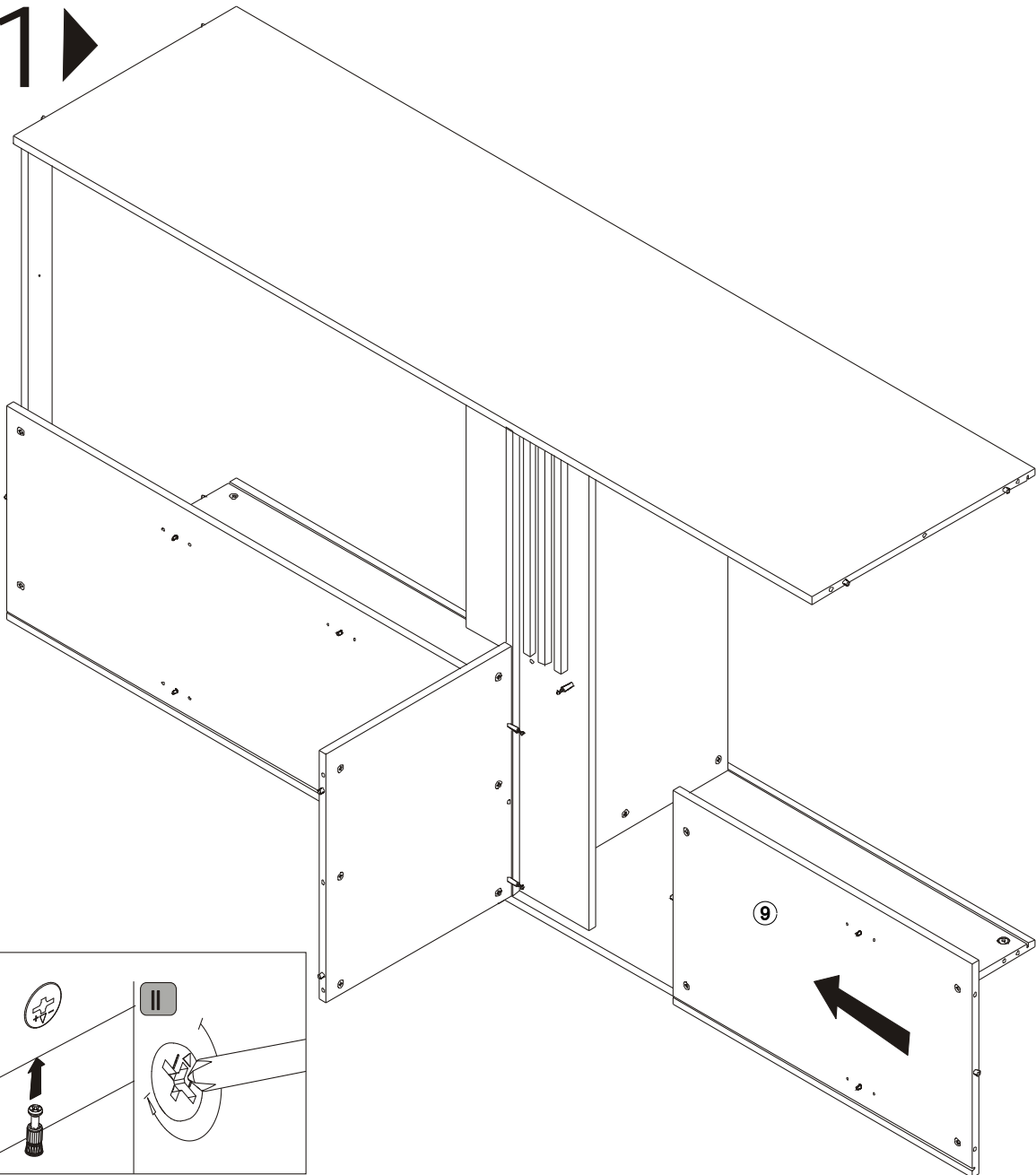
# 29 ▶



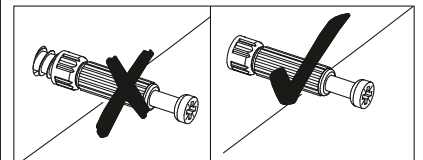
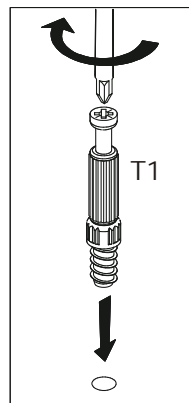
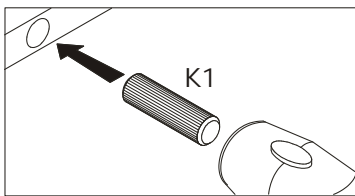
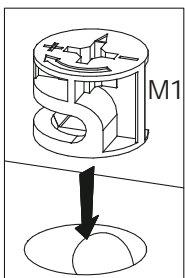
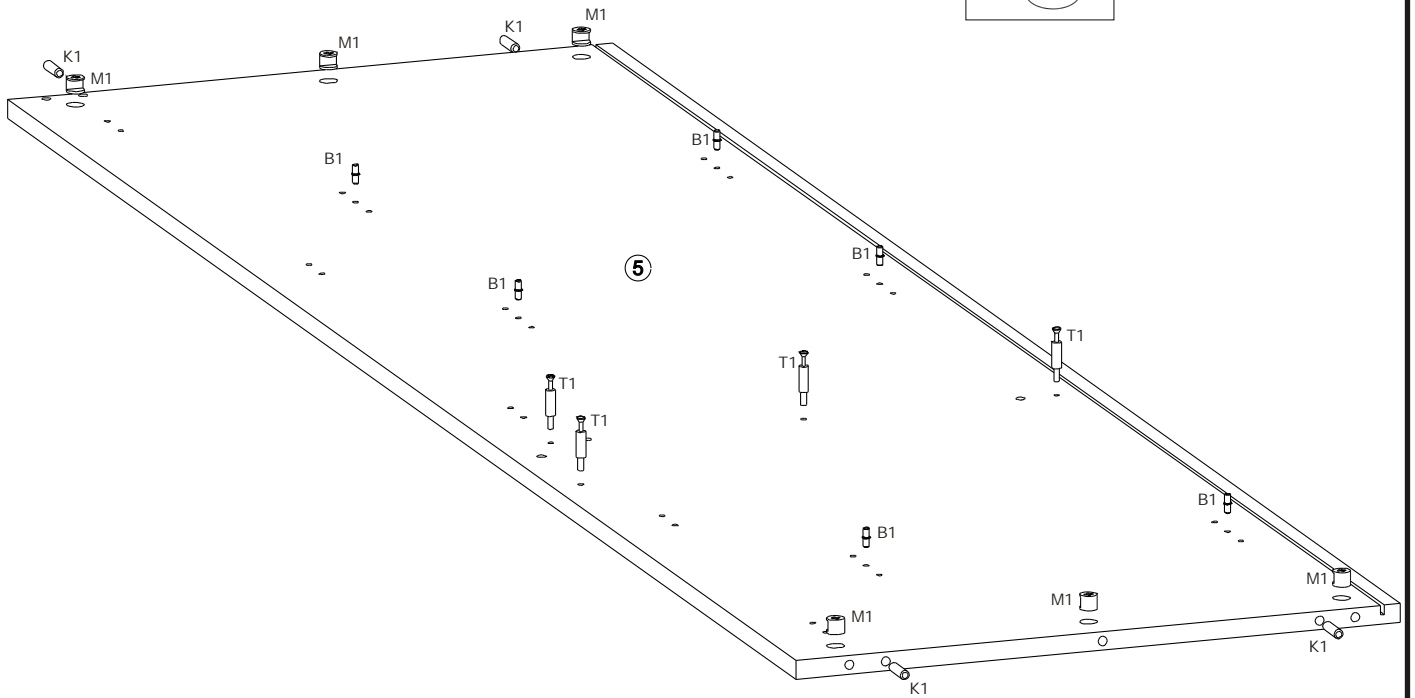
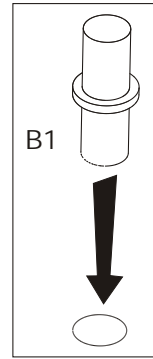
# 30 ▶



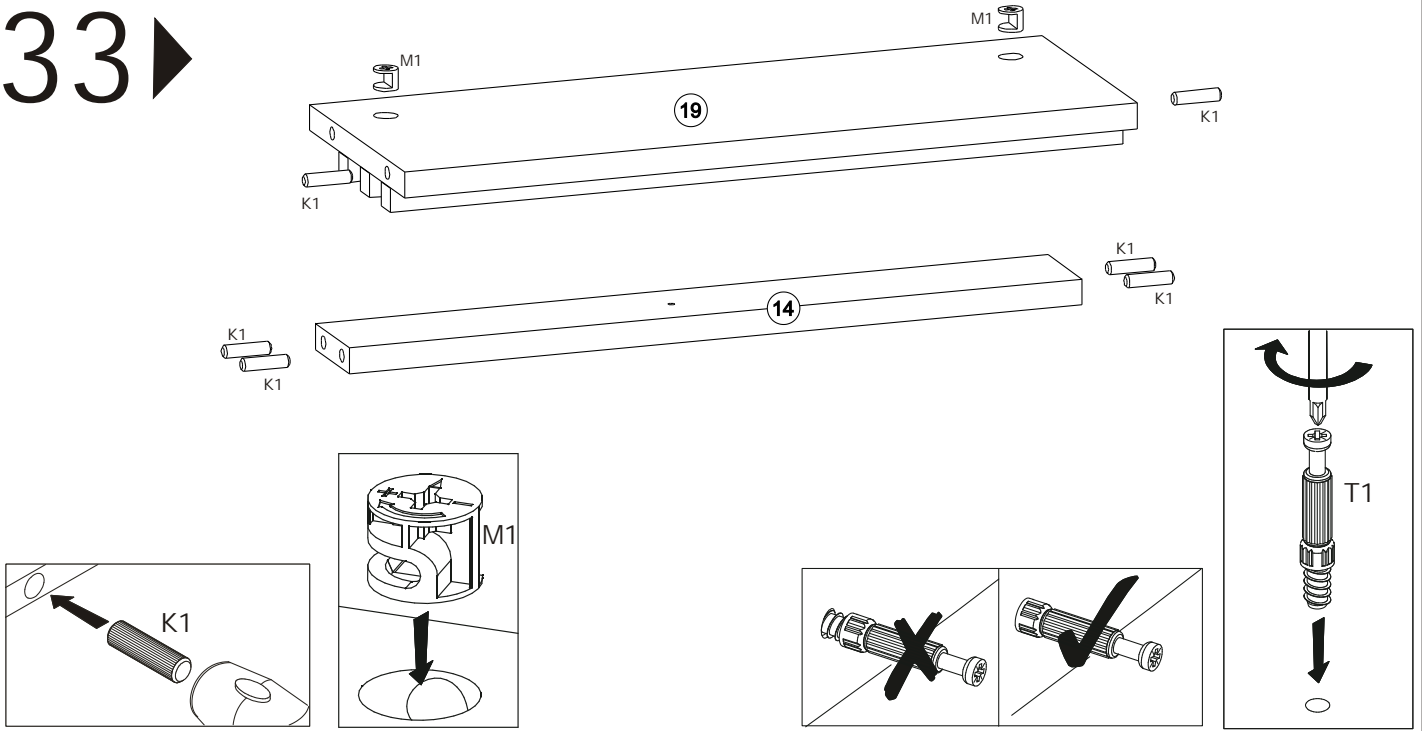
# 31 ▶



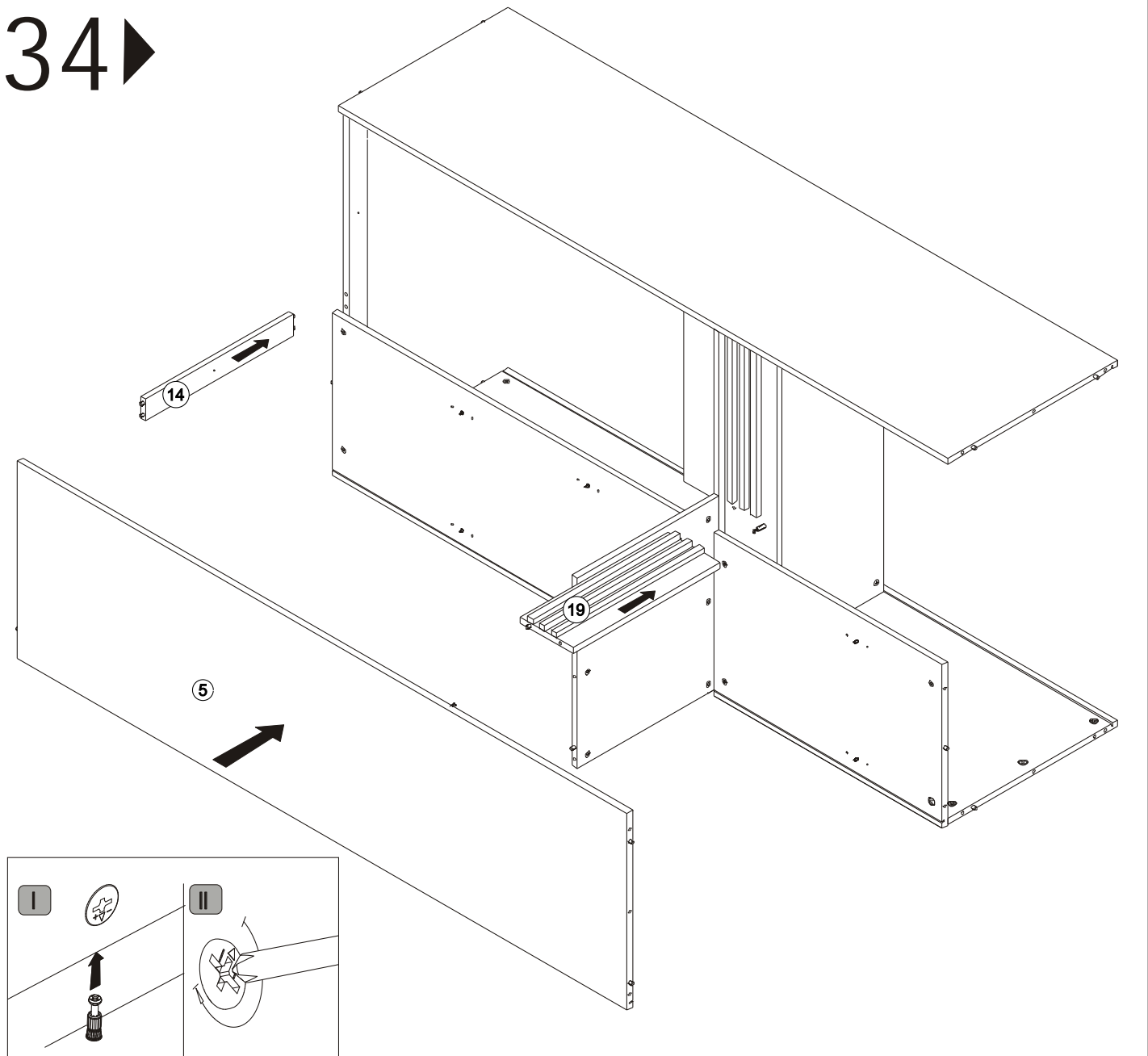
32 ▶



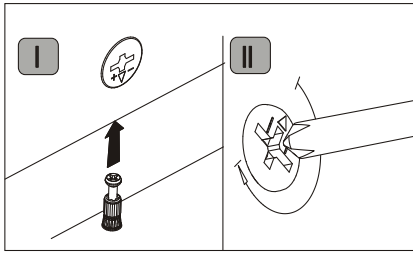
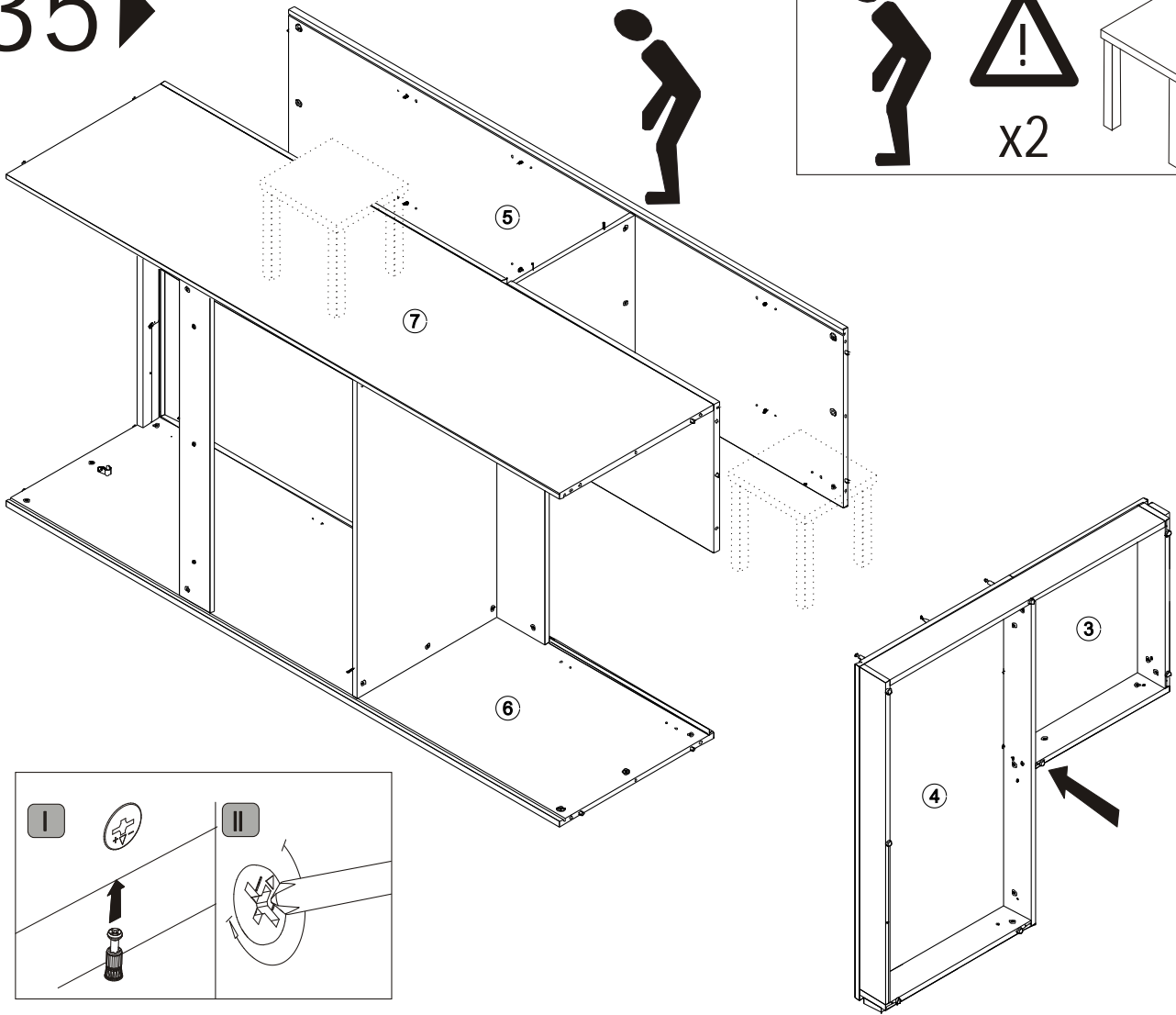
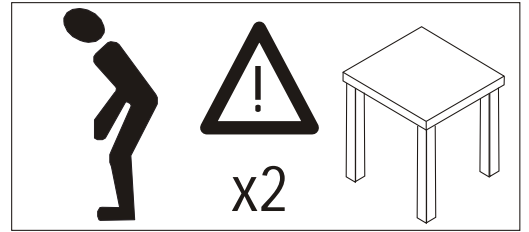
# 33 ▶



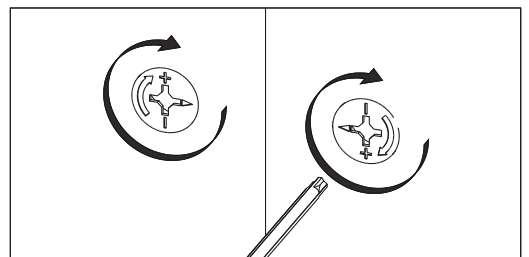
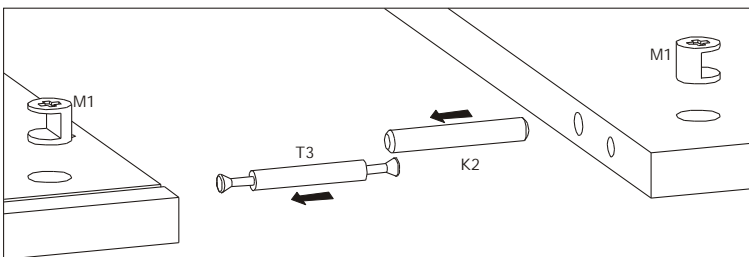
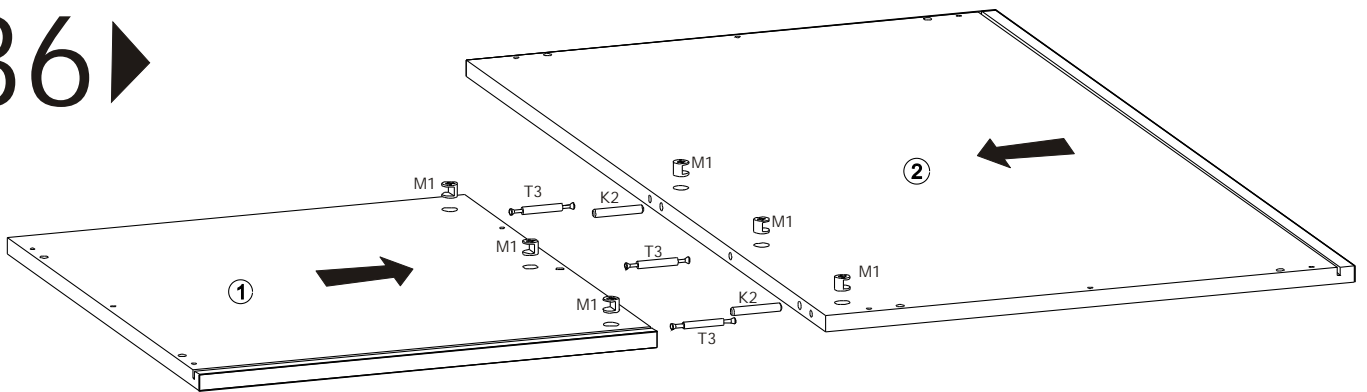
# 34 ▶



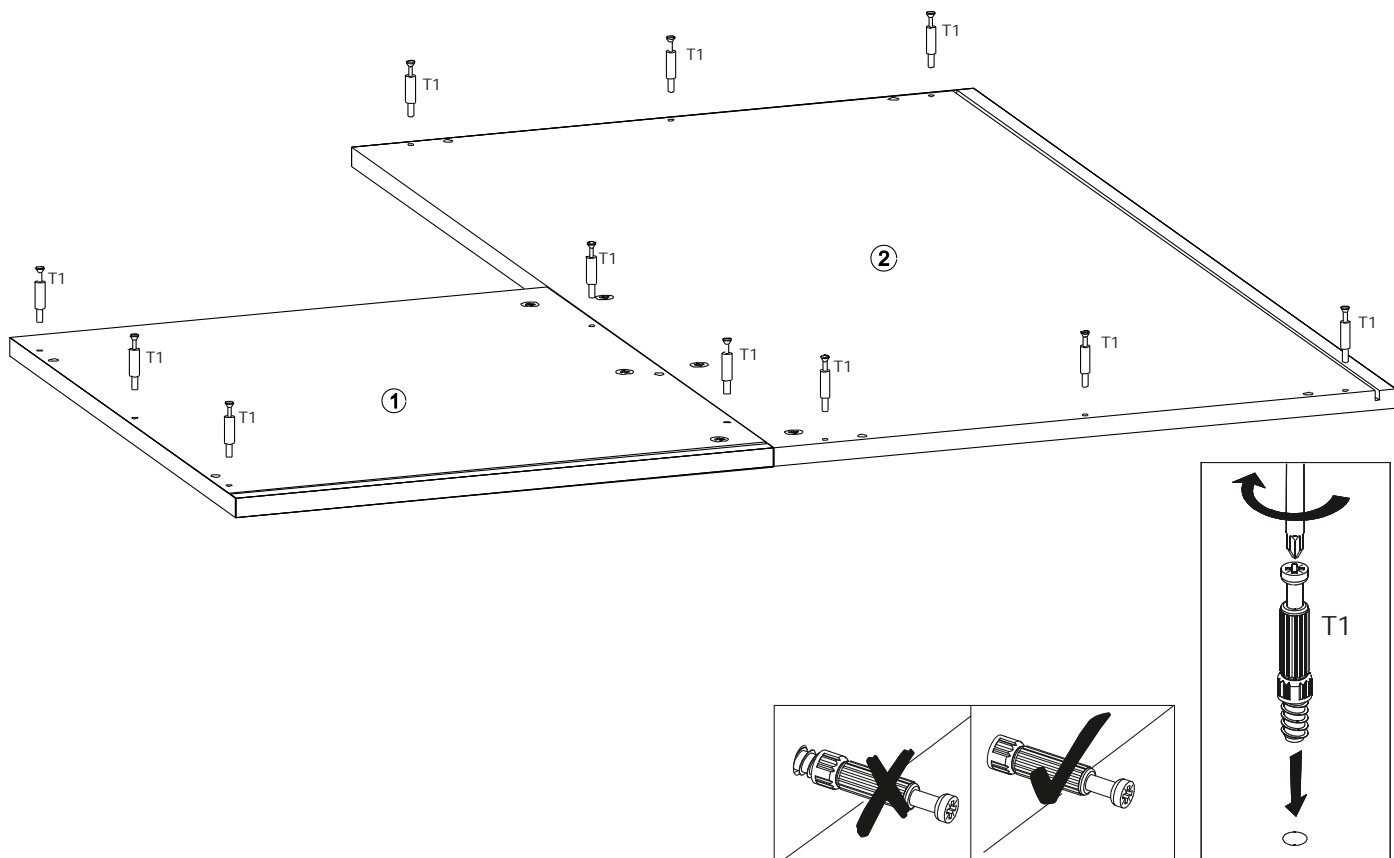
# 35 ▶



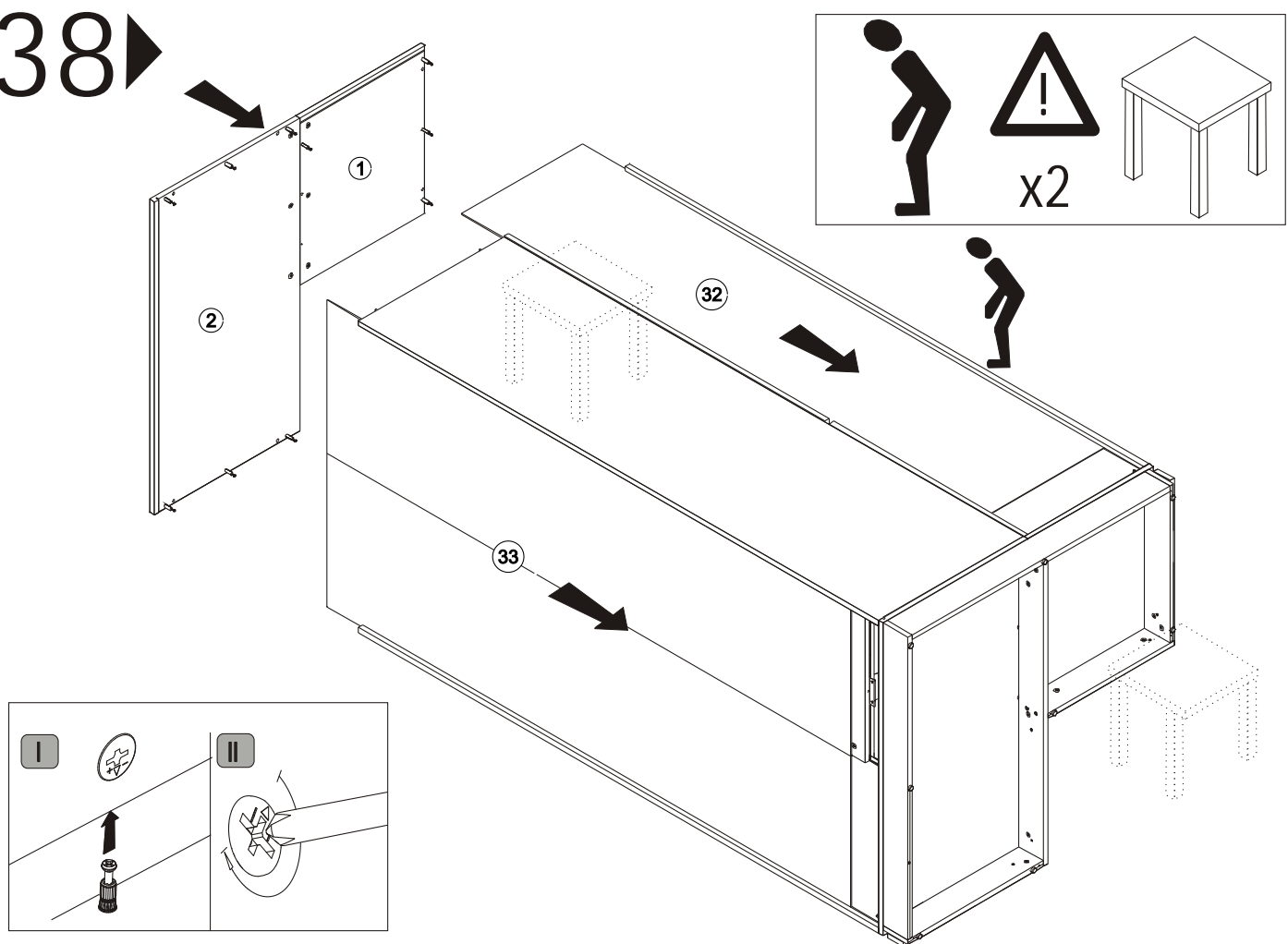
# 36 ▶



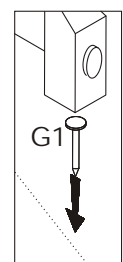
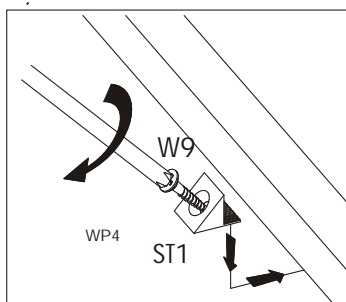
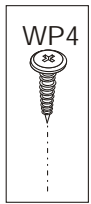
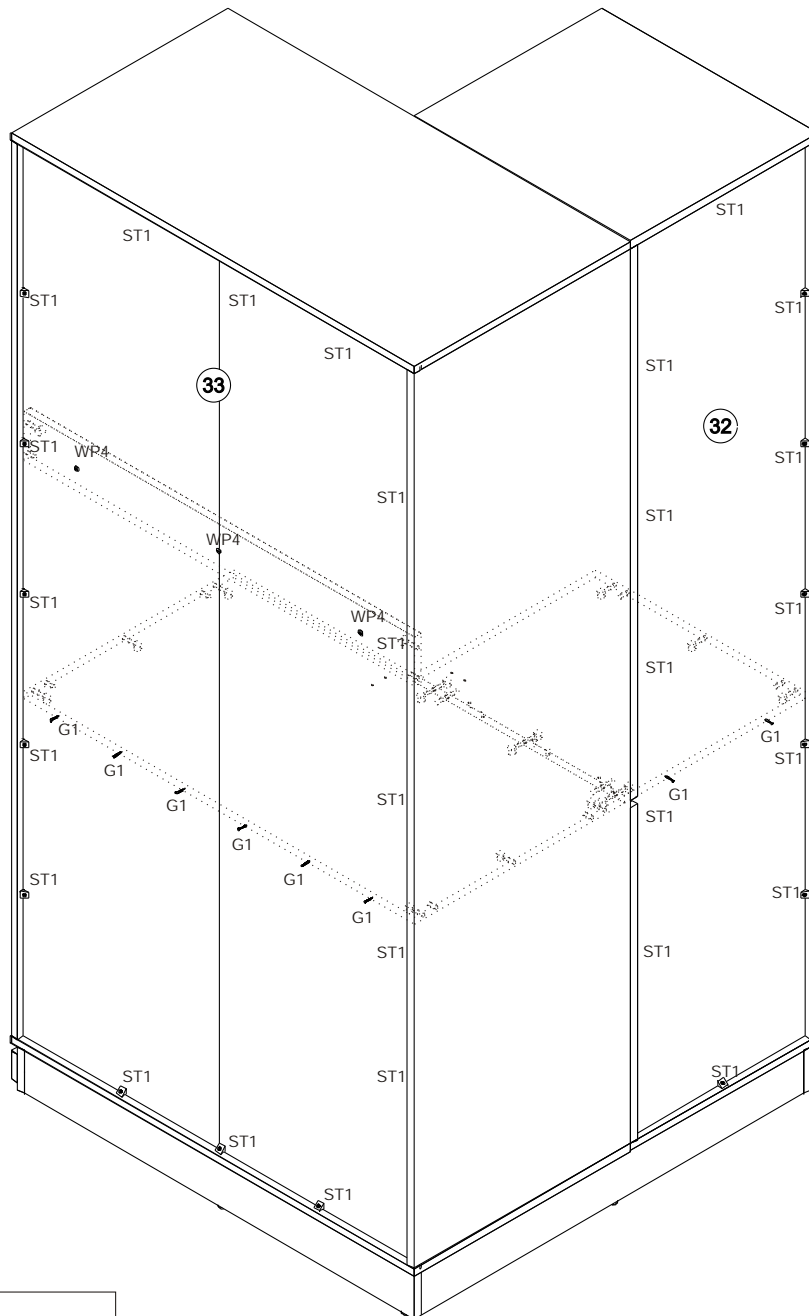
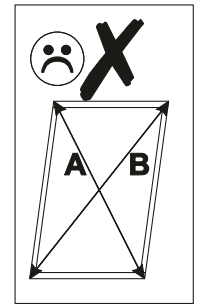
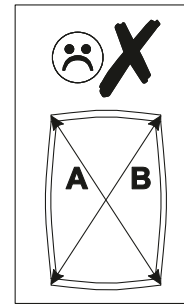
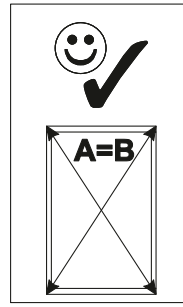
# 37 ▶



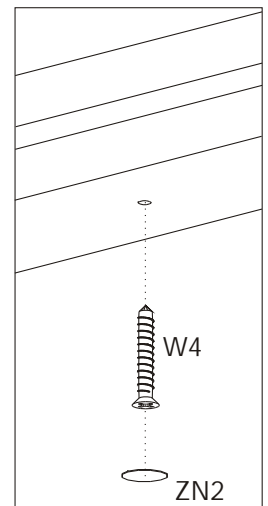
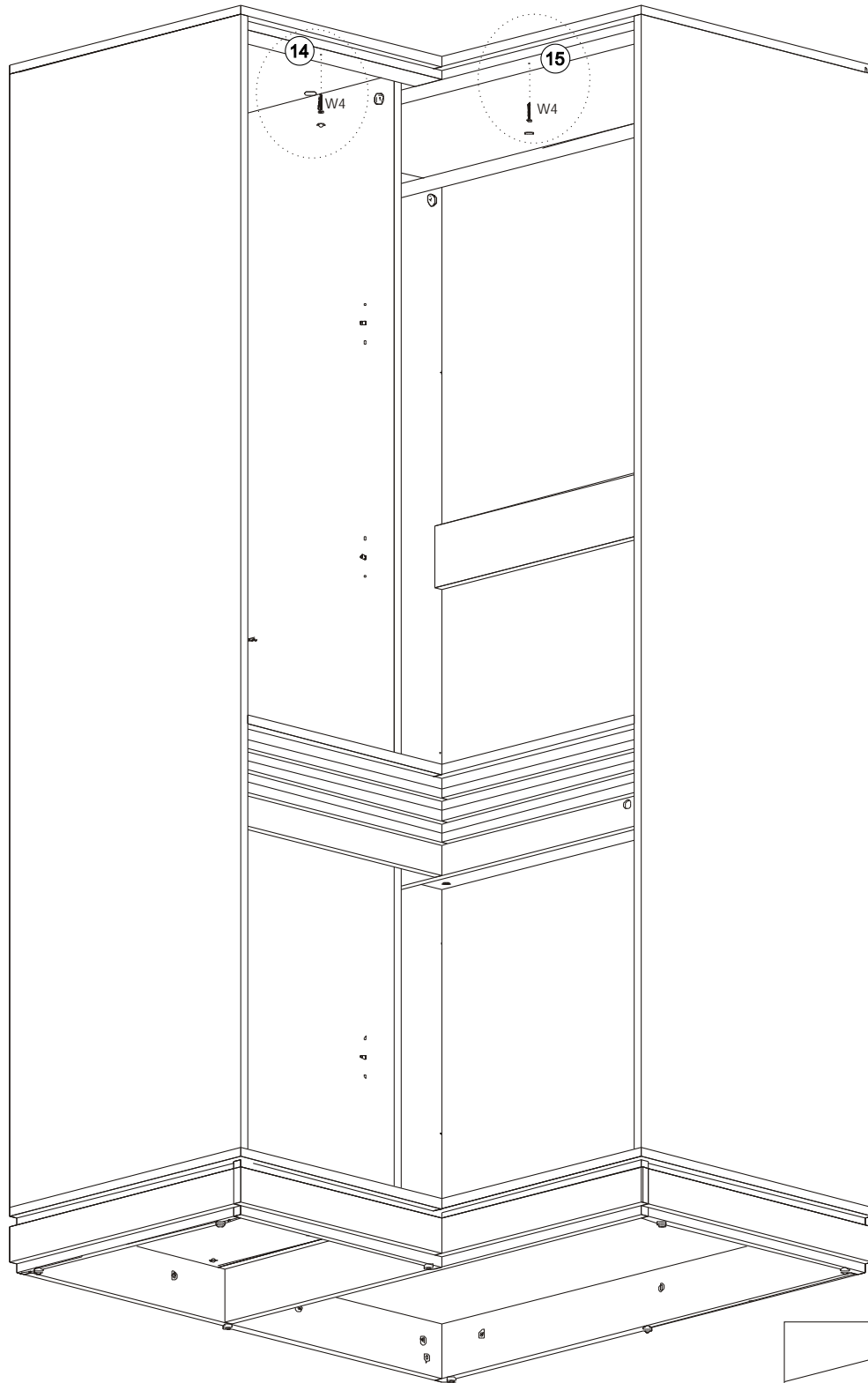
# 38 ▶



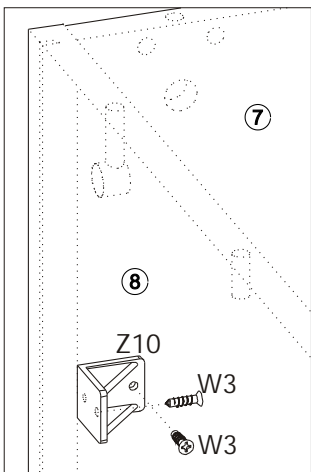
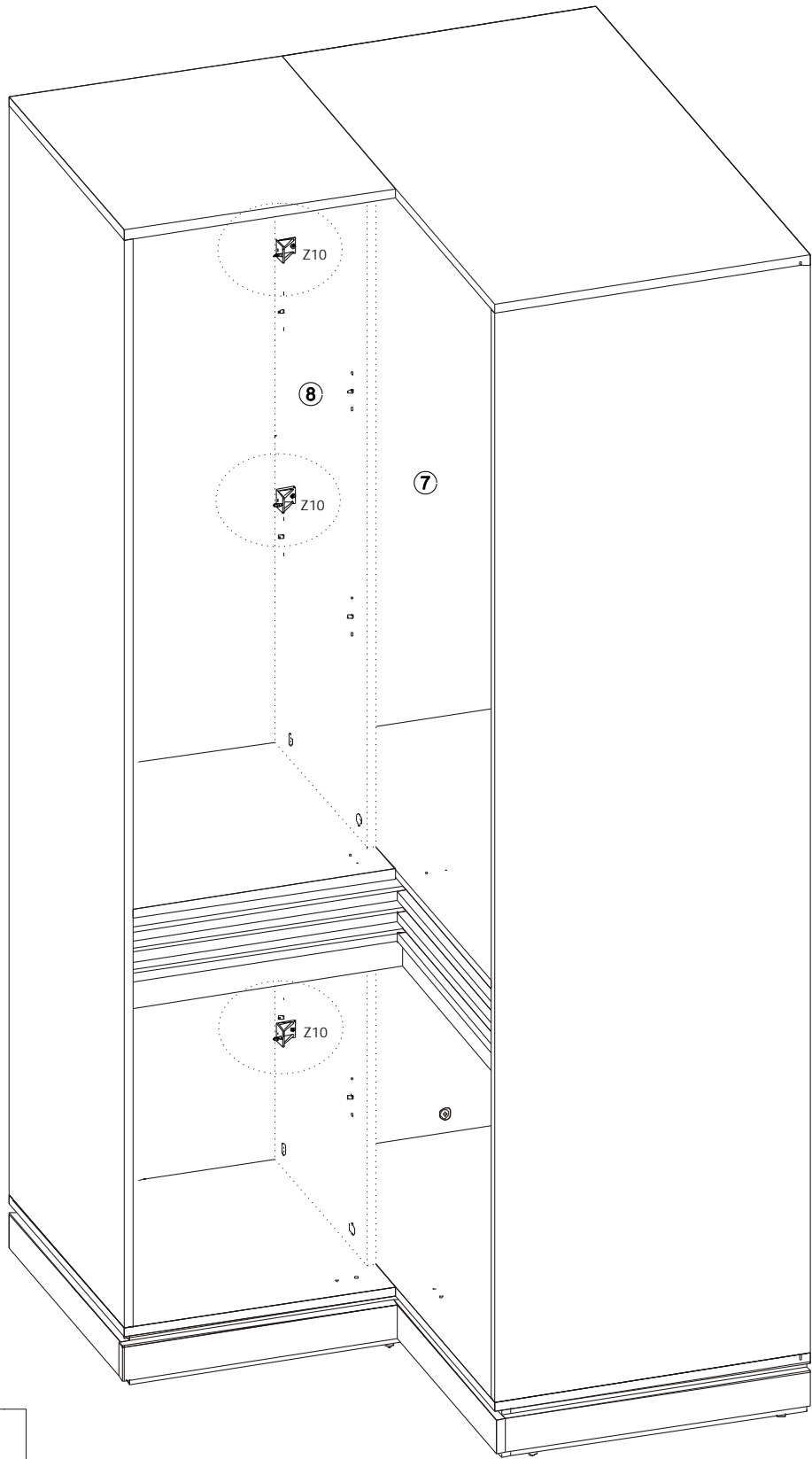
# 39 ▶

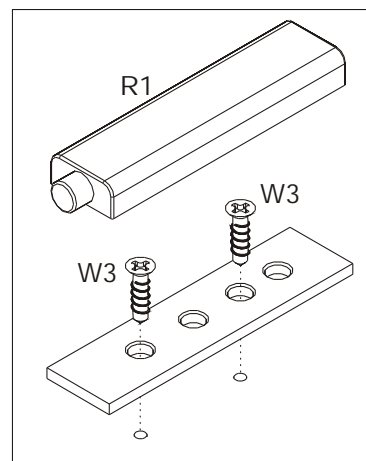
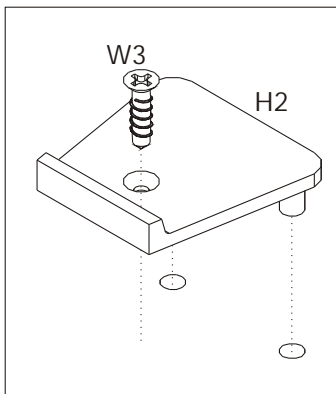
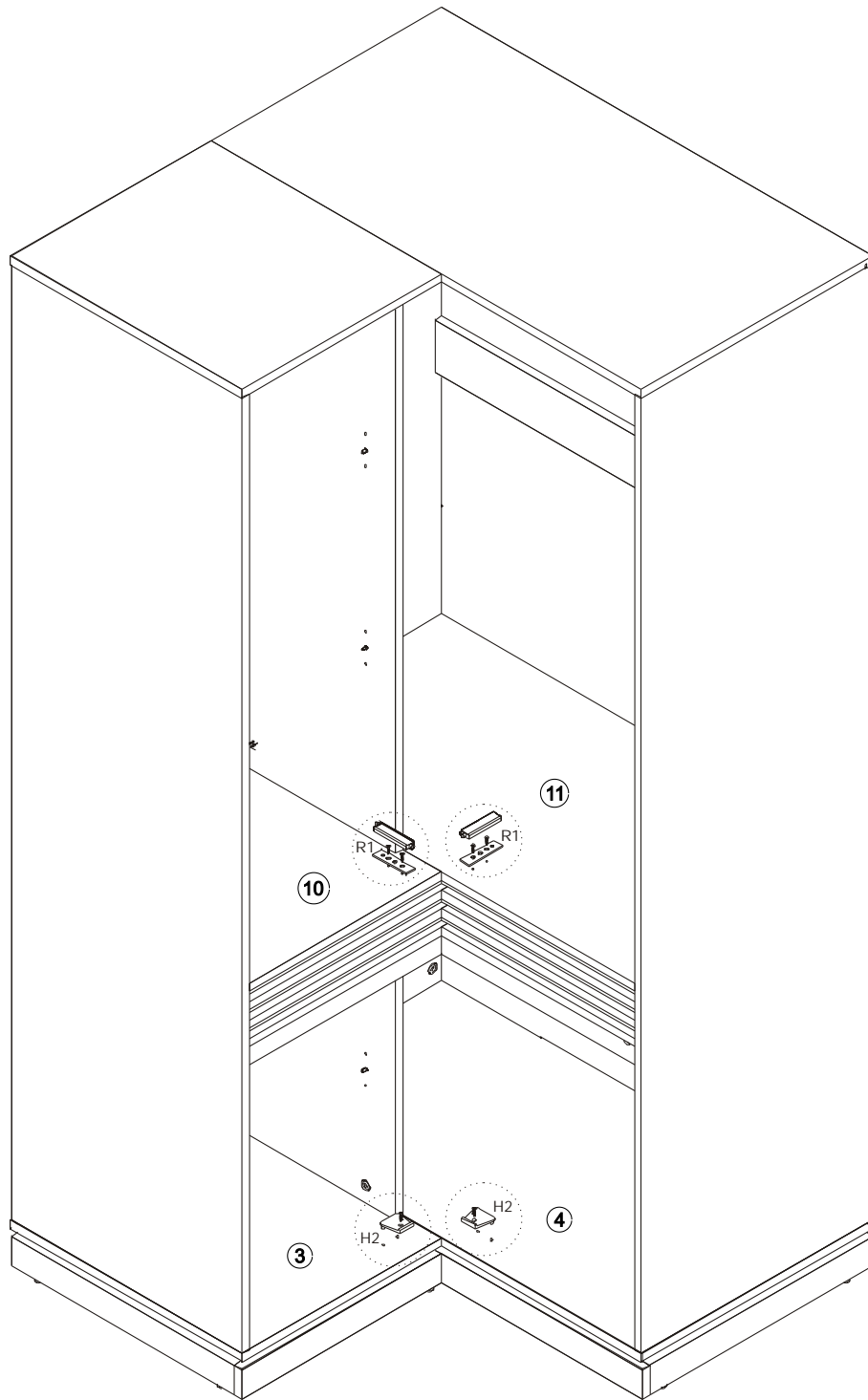


40 ▶

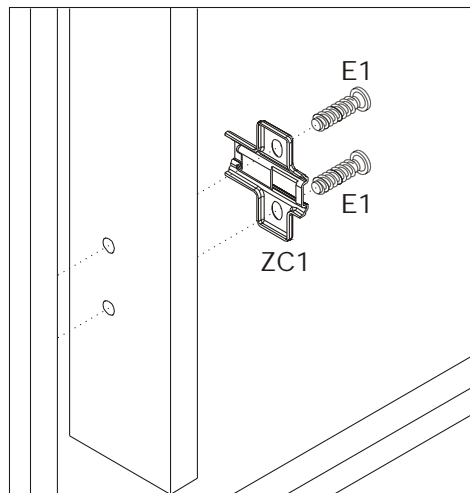
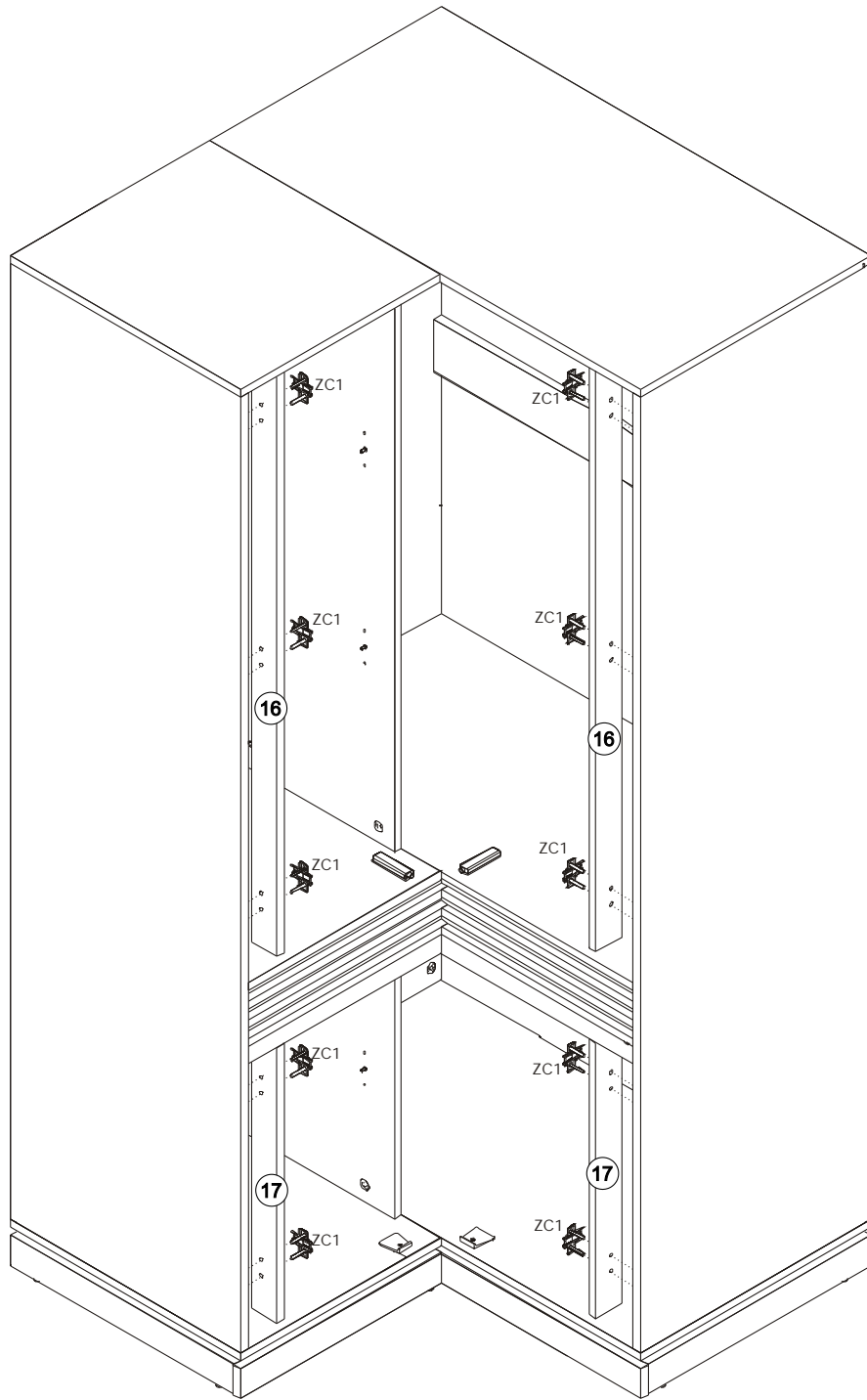


41 ▶

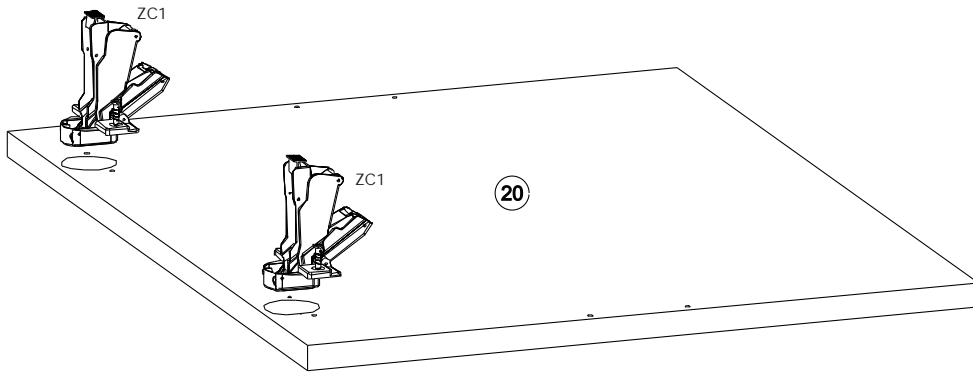




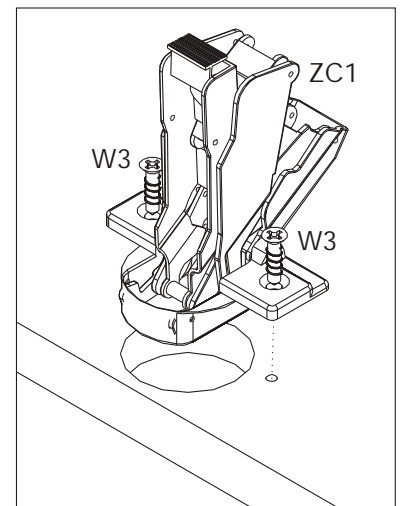
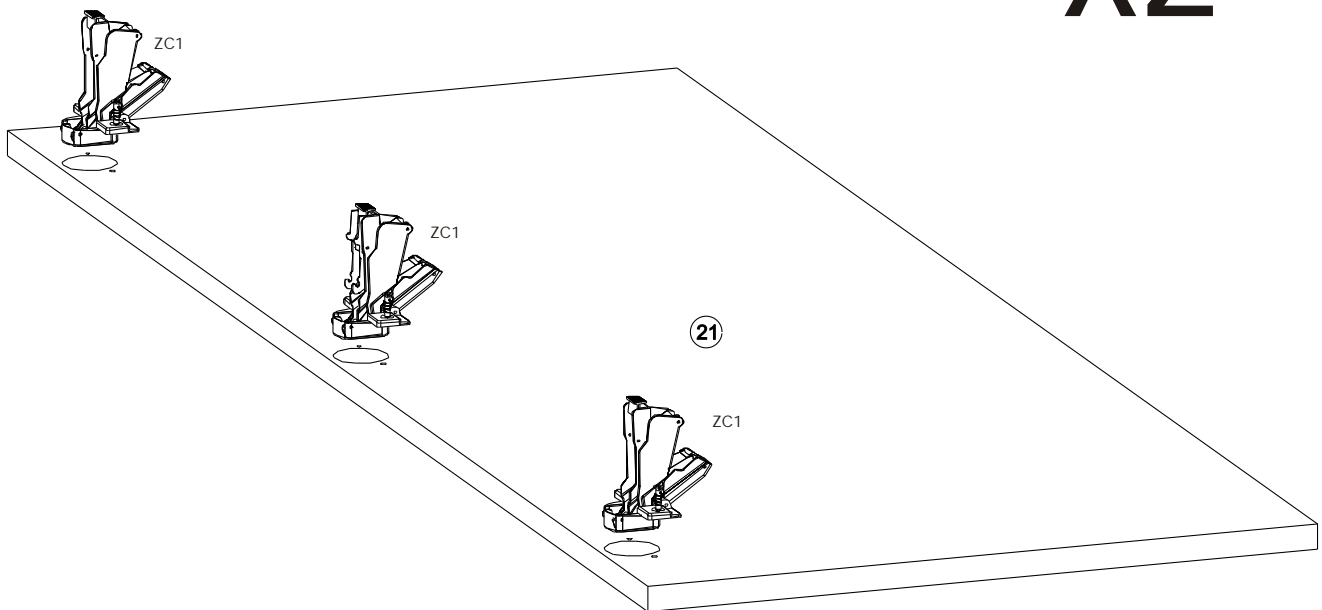
# 43 ▶



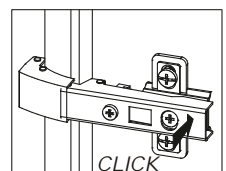
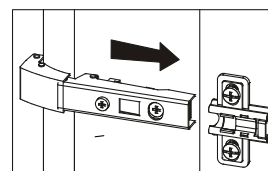
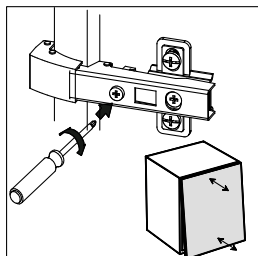
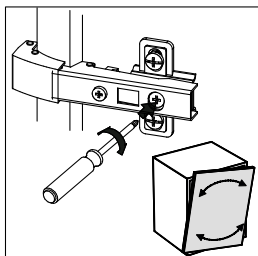
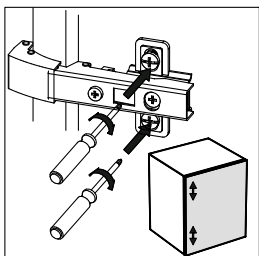
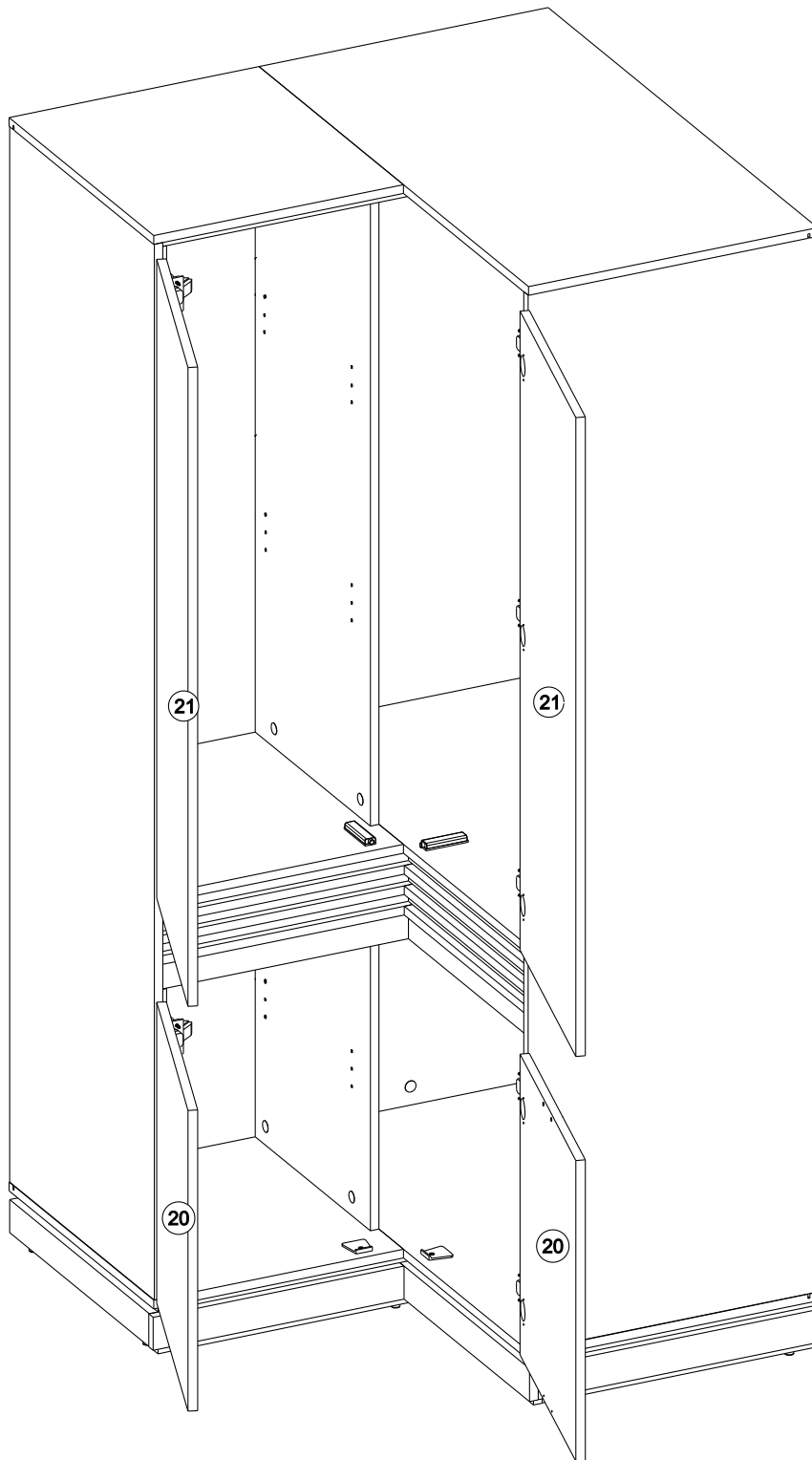
44▶



x2



45 ▶



# 46 ▶

