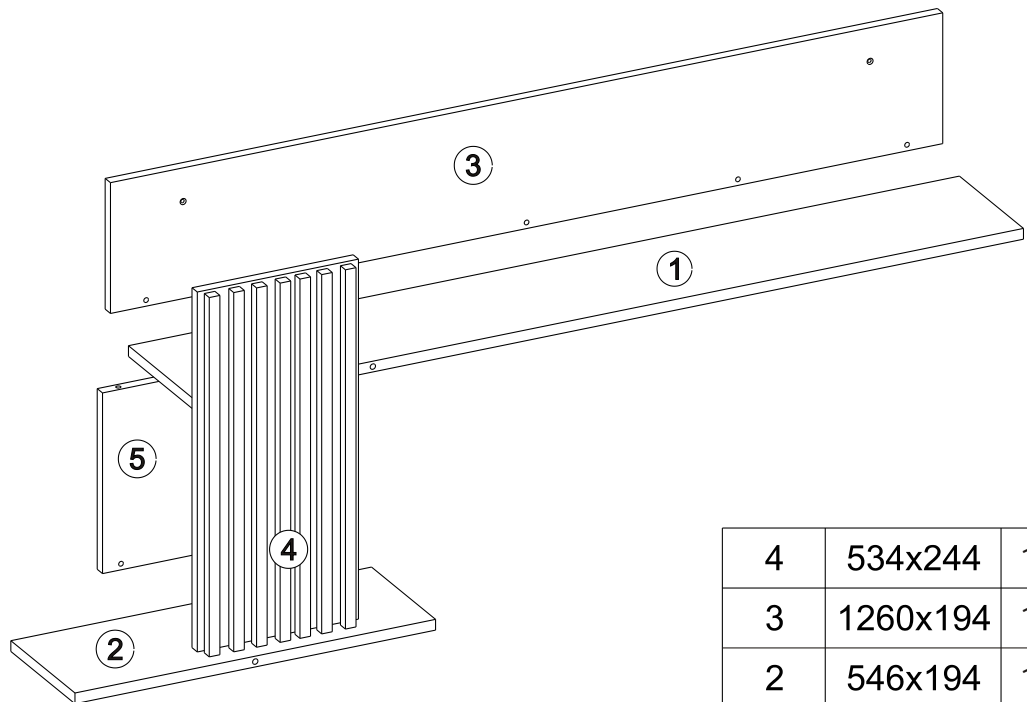
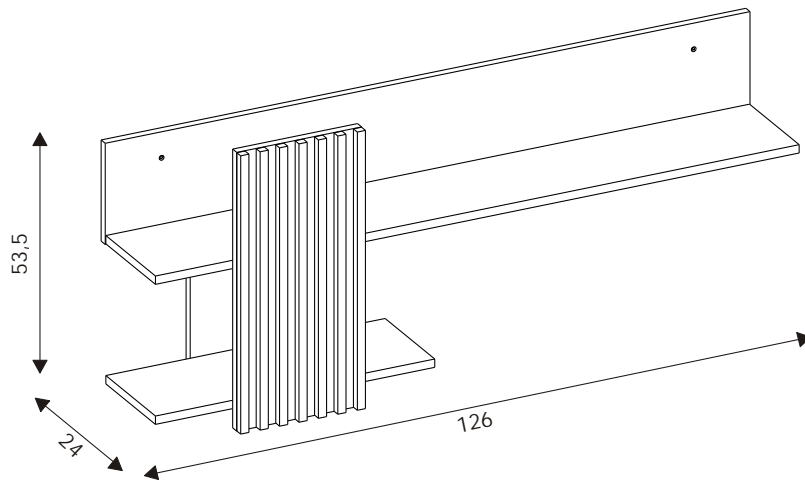
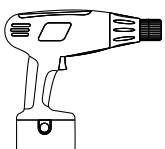
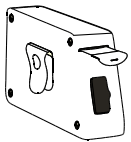
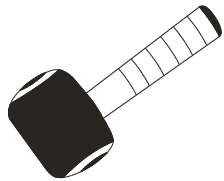
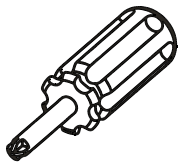
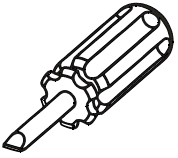
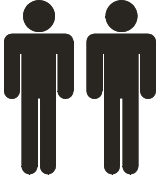
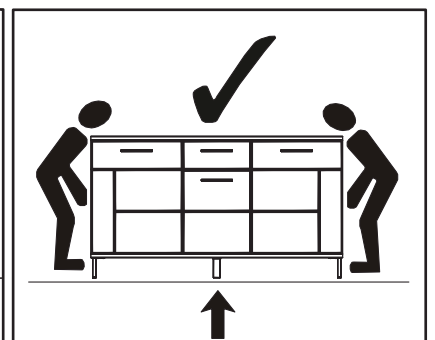
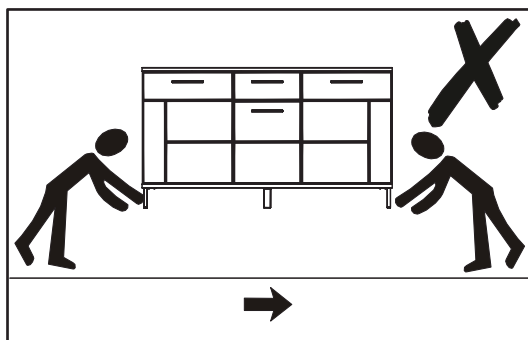
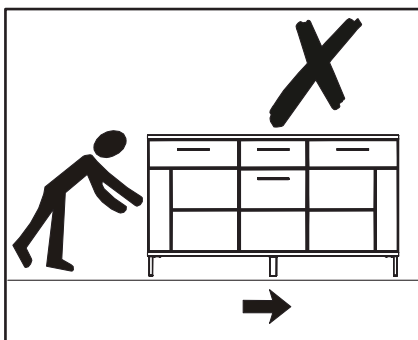
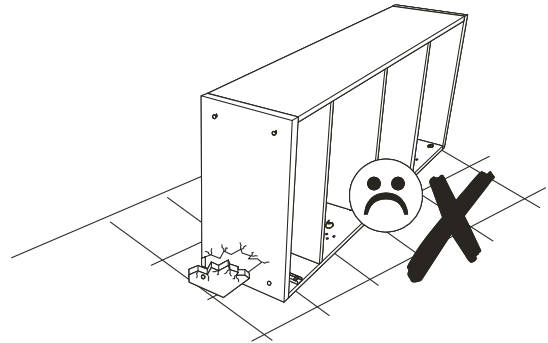
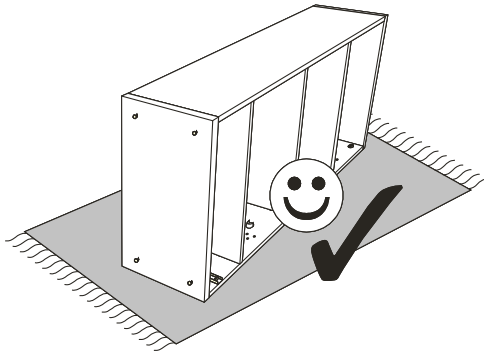
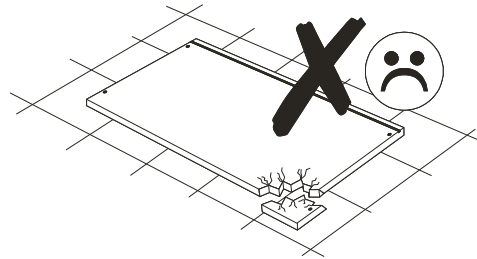
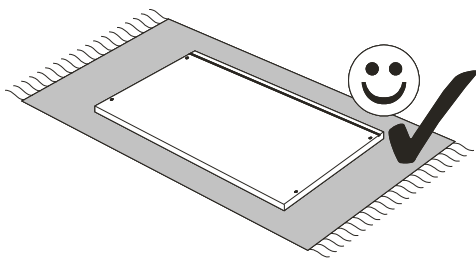
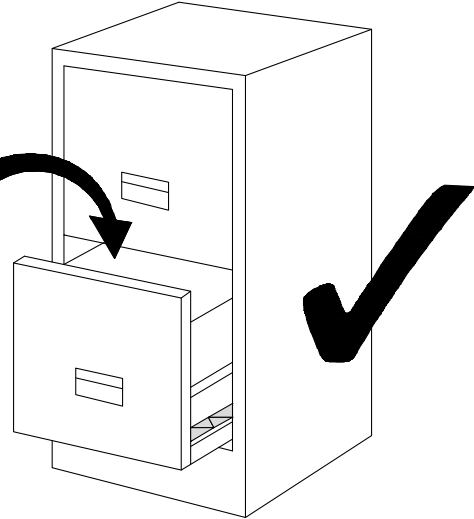
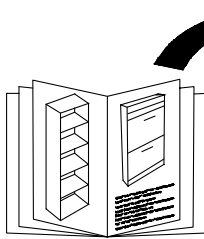
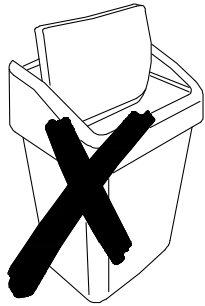
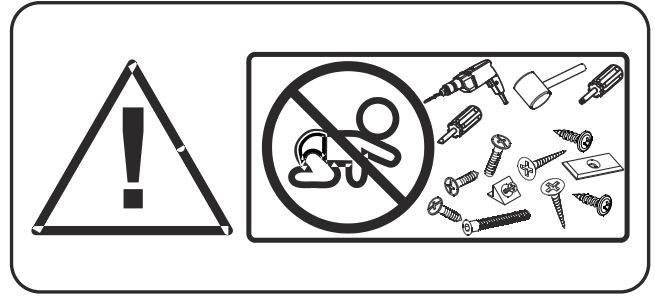


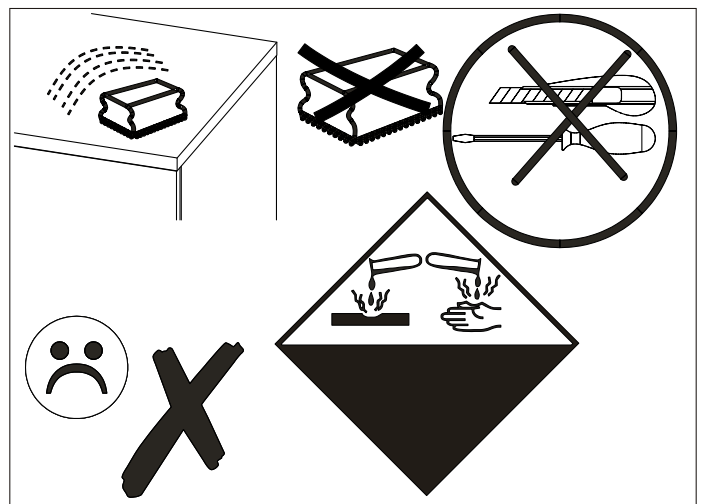
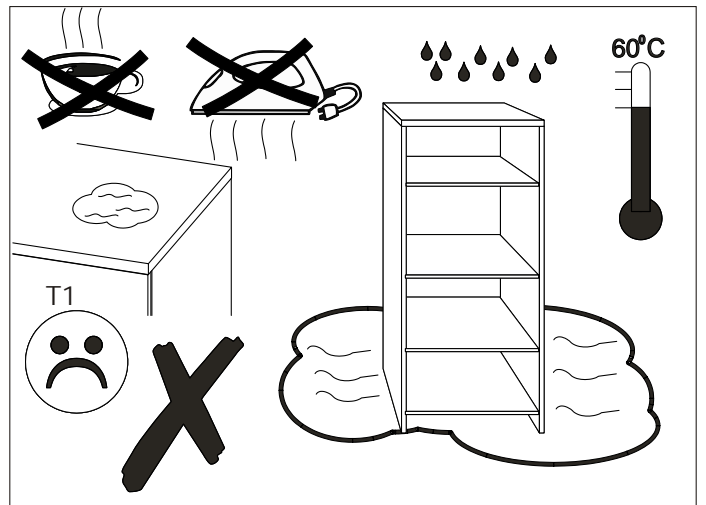
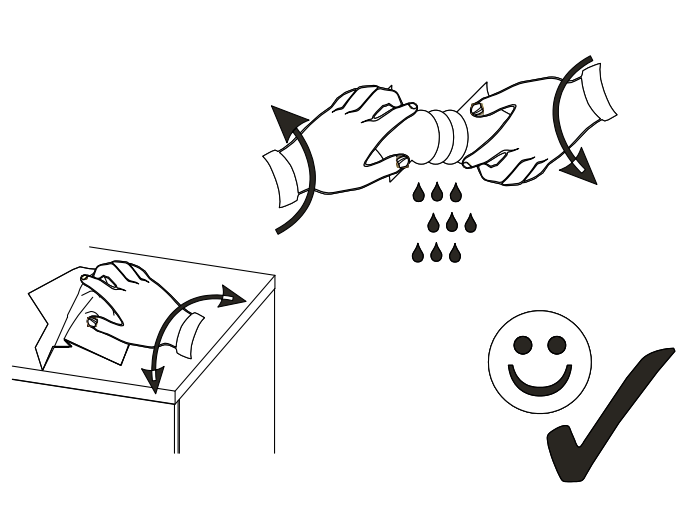
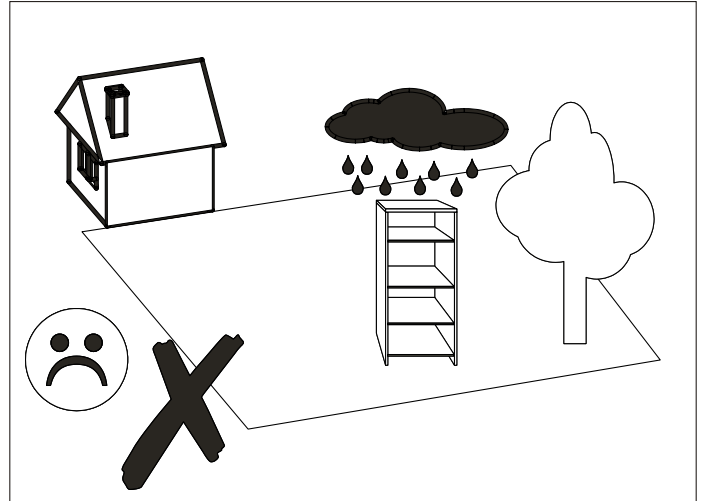
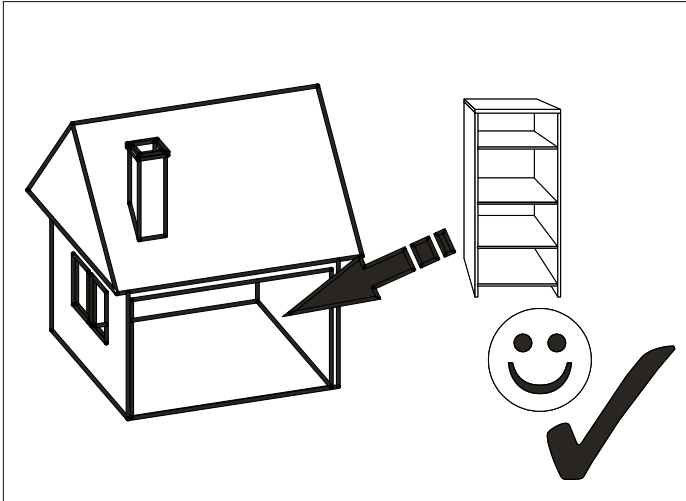
# MODEL: FE16

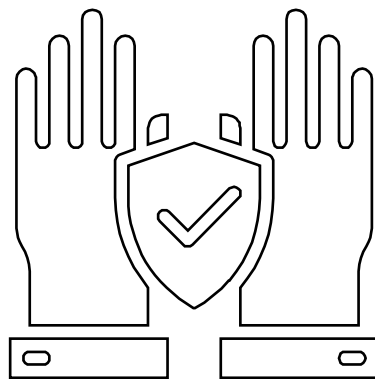
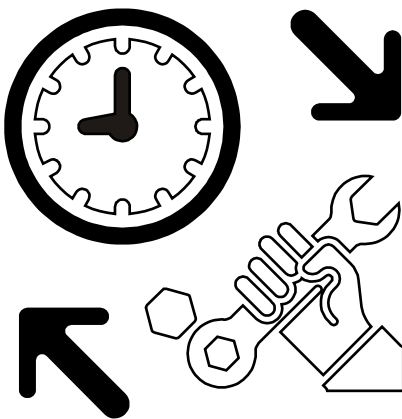
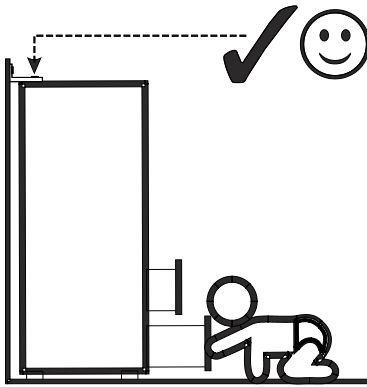
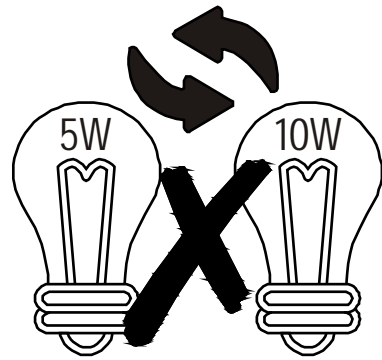
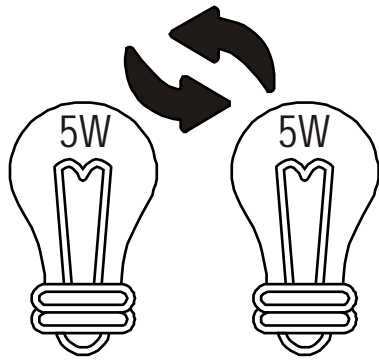
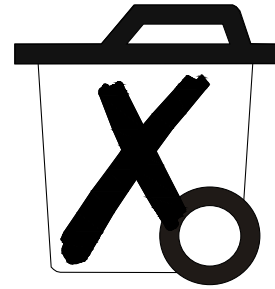
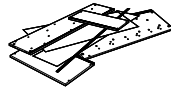
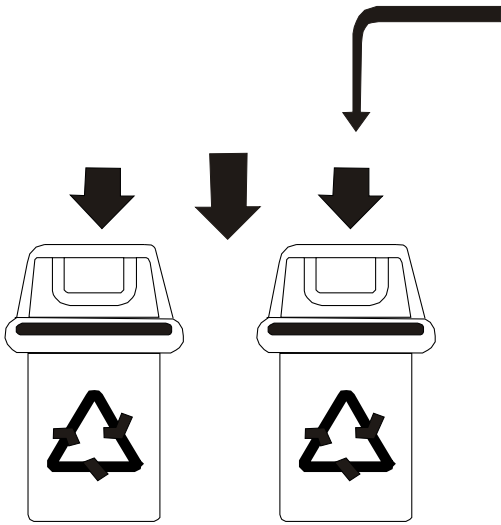
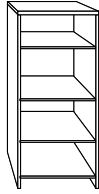


4	534x244	1/1
3	1260x194	1/1
2	546x194	1/1
1	1258x194	1/1

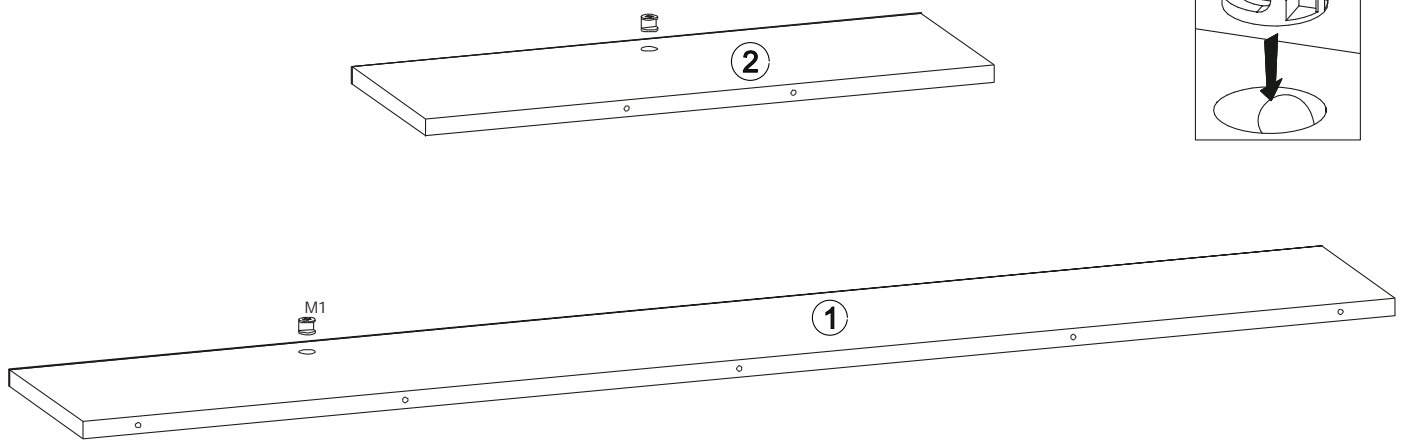
2x DU232T T1	4x #20/863 ZN1	2x #14/863 ZN2	6x #15/15 M1	7x 6.4x50 K5	1x K20	14x 15x16 ZN4	2x ZD000656R T3
--------------------	----------------------	----------------------	--------------------	--------------------	-----------	---------------------	-----------------------



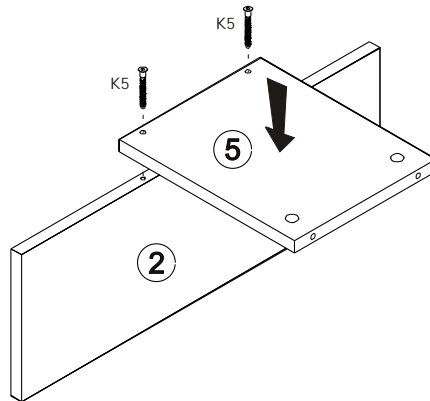
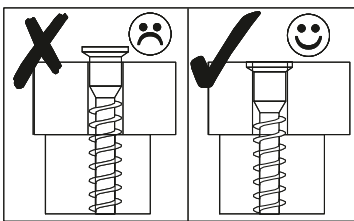




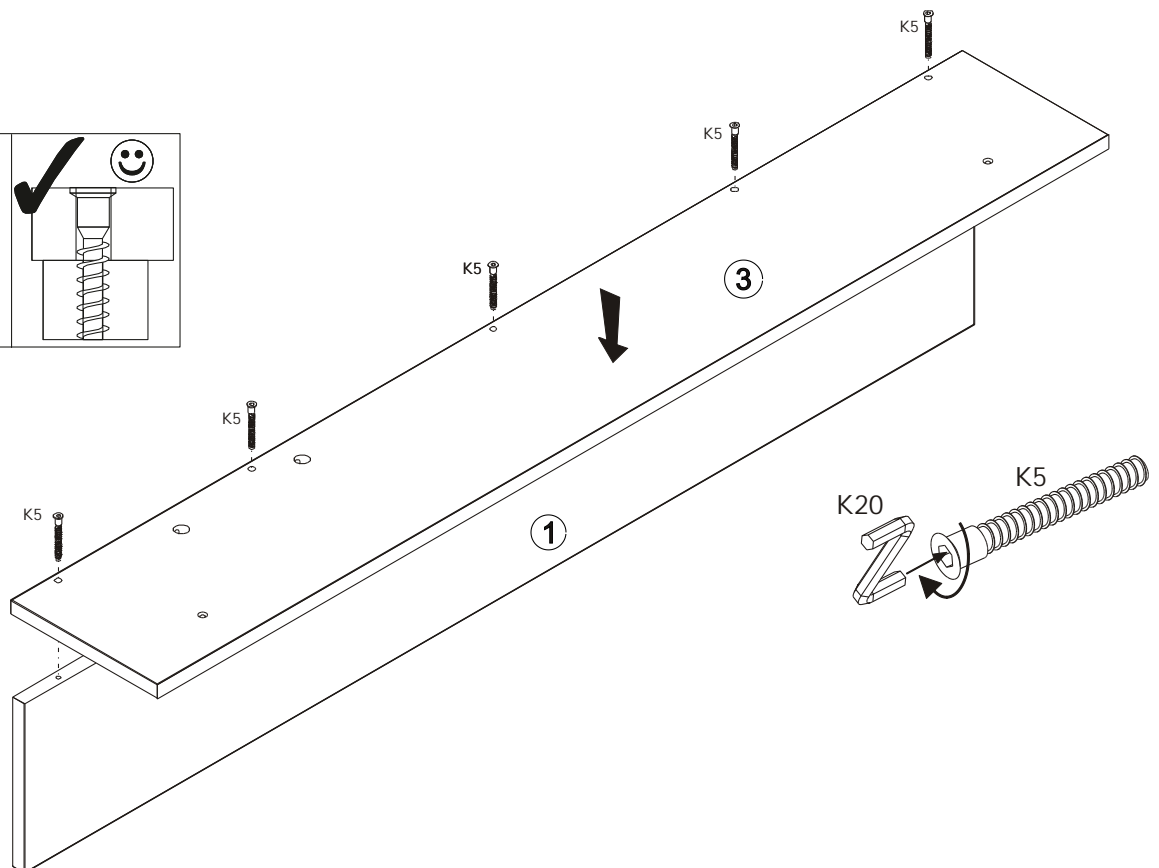
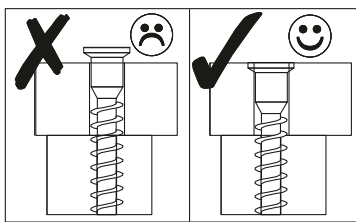
1 ▶



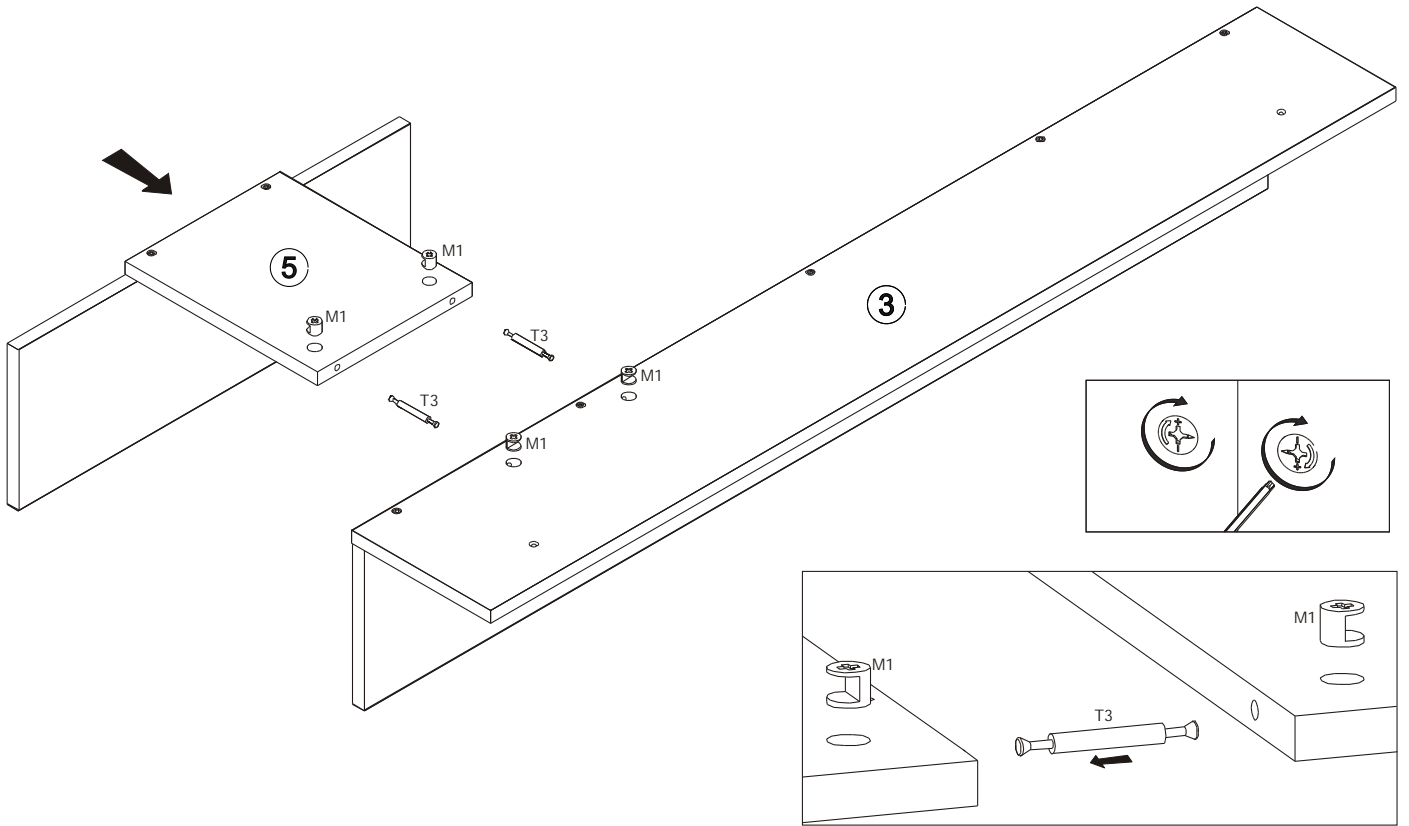
2 ▶



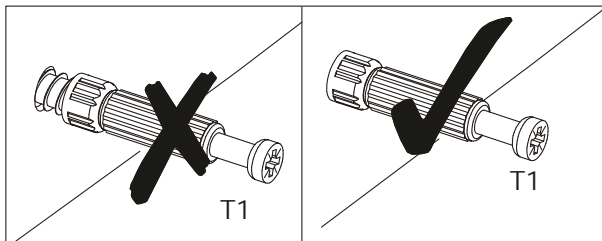
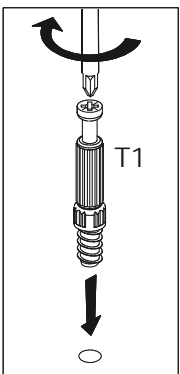
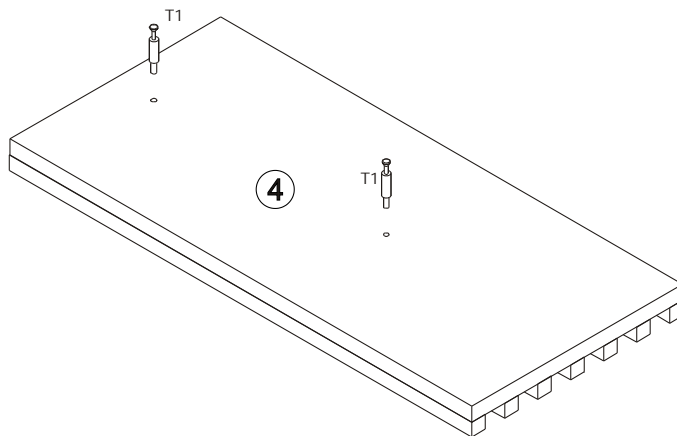
3 ▶



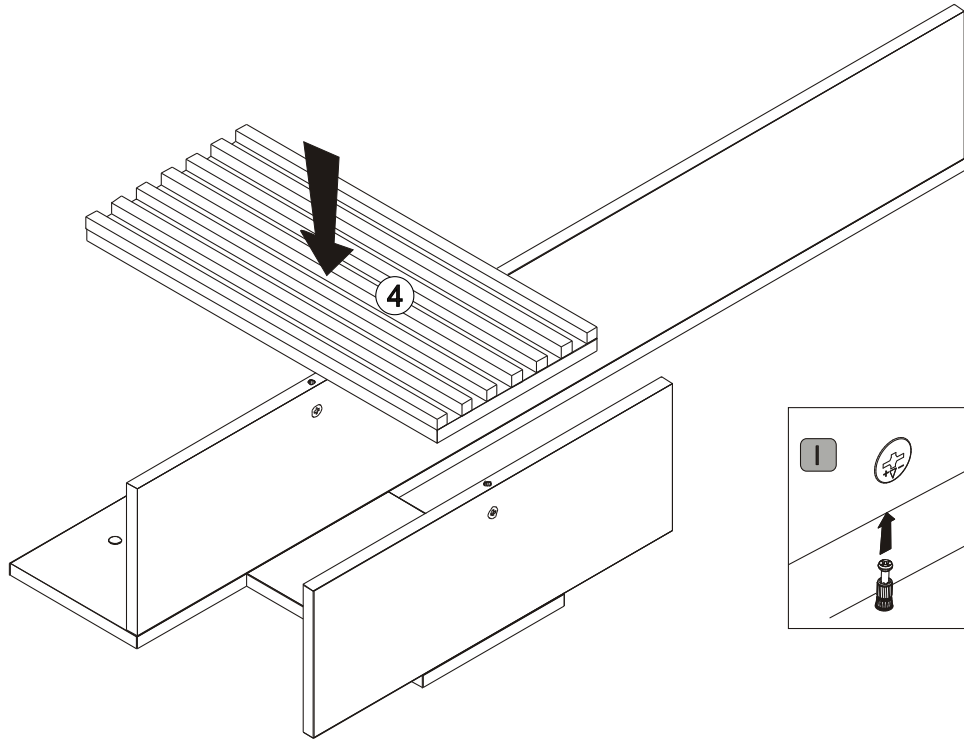
4 ▶



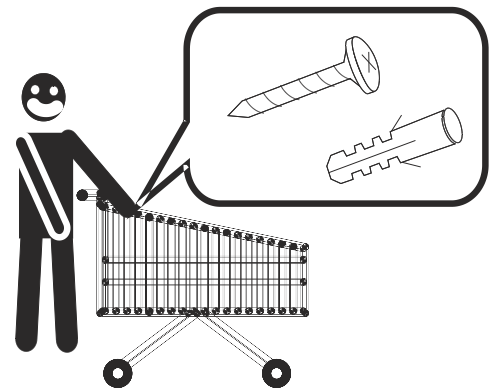
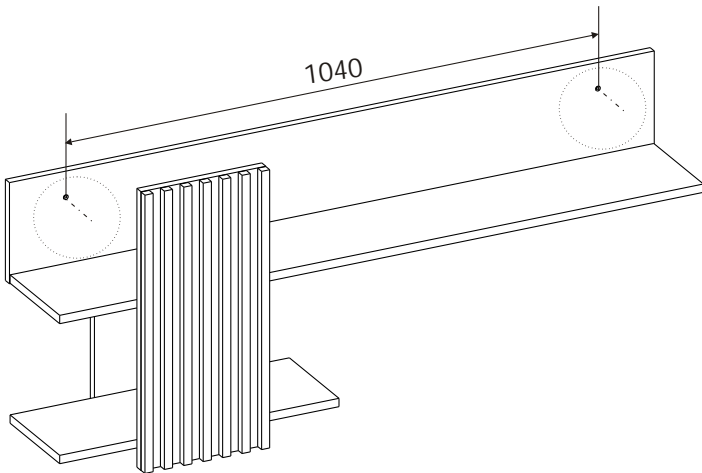
5 ▶



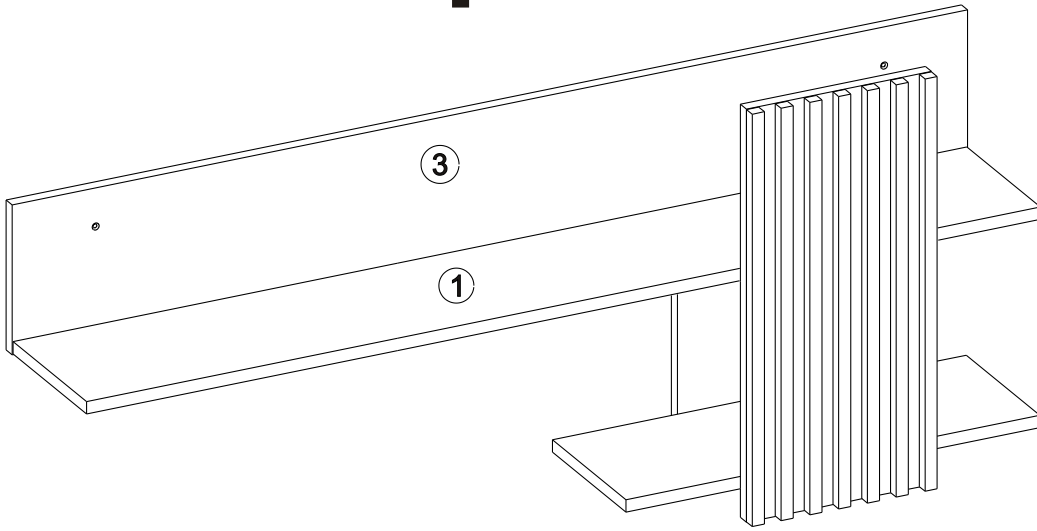
4 ▶



5 ▶



# P



# L

