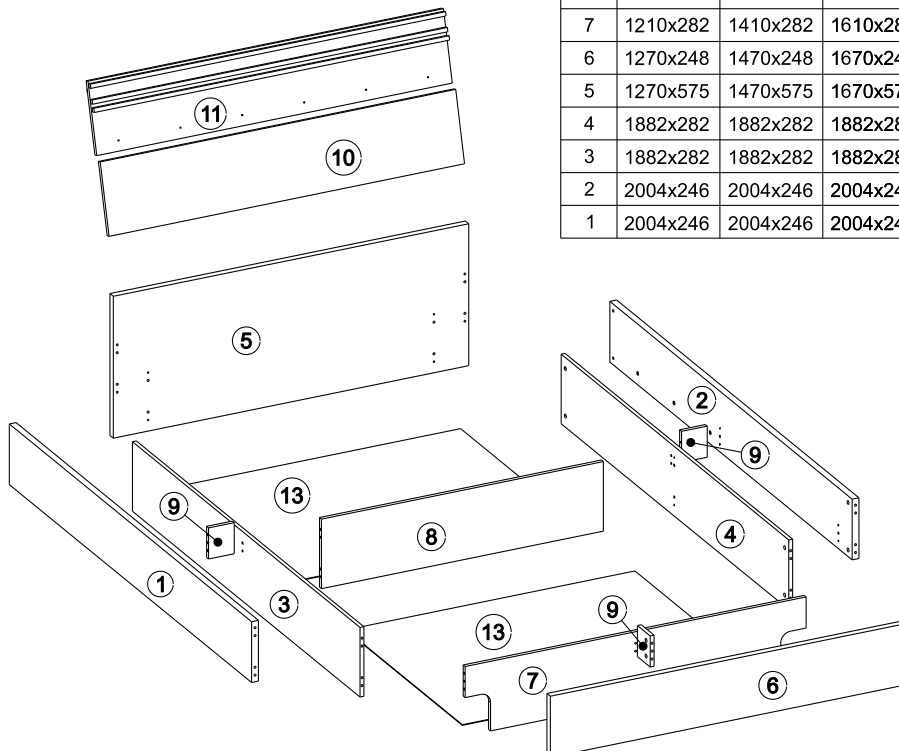
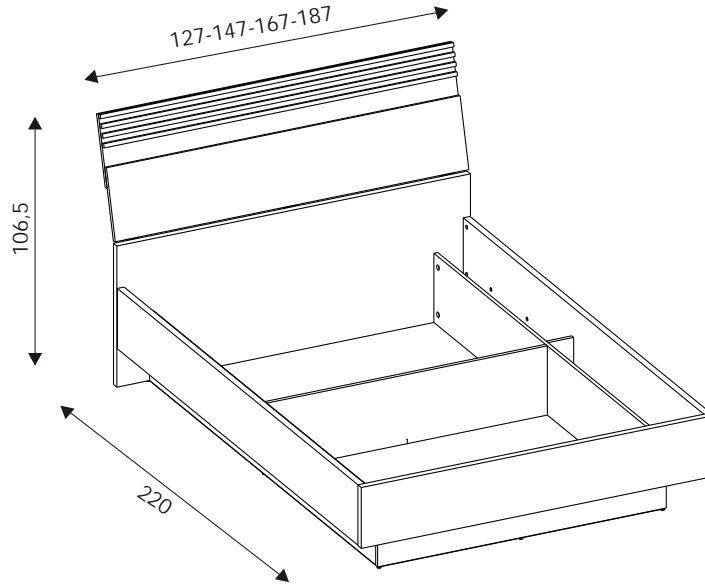
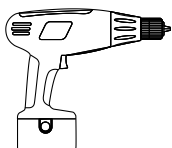
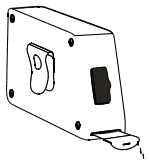
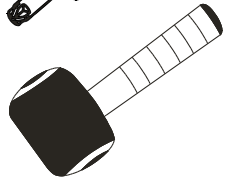
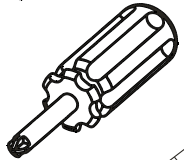
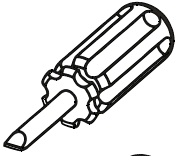
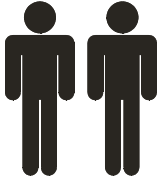
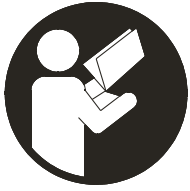
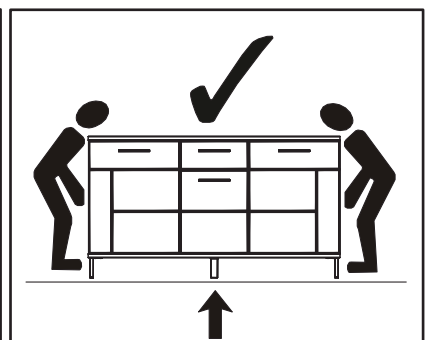
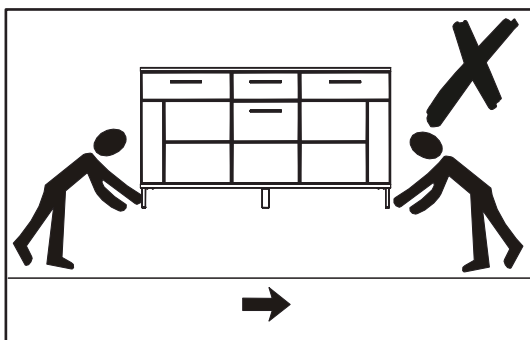
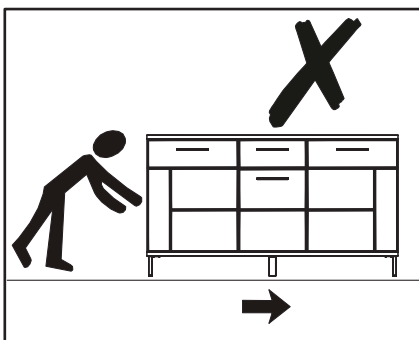
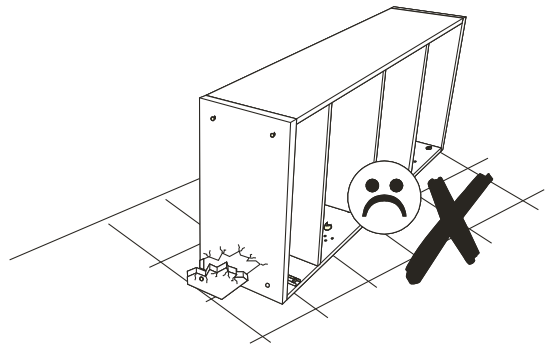
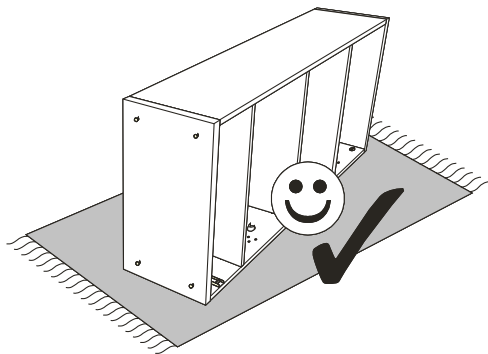
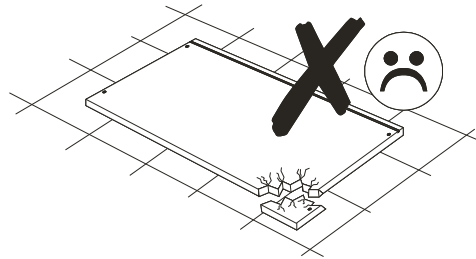
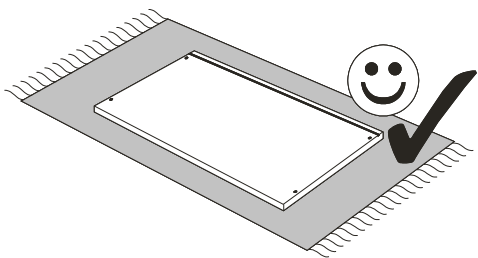
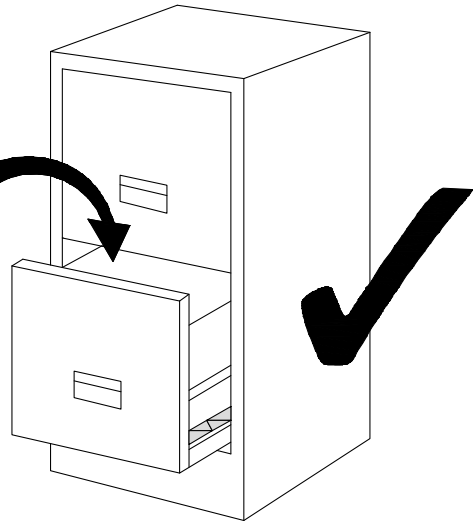
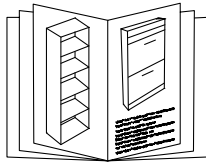
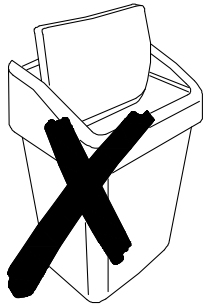


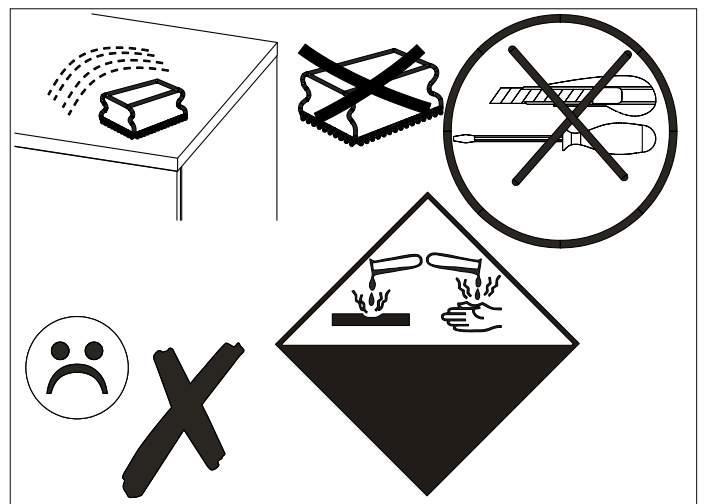
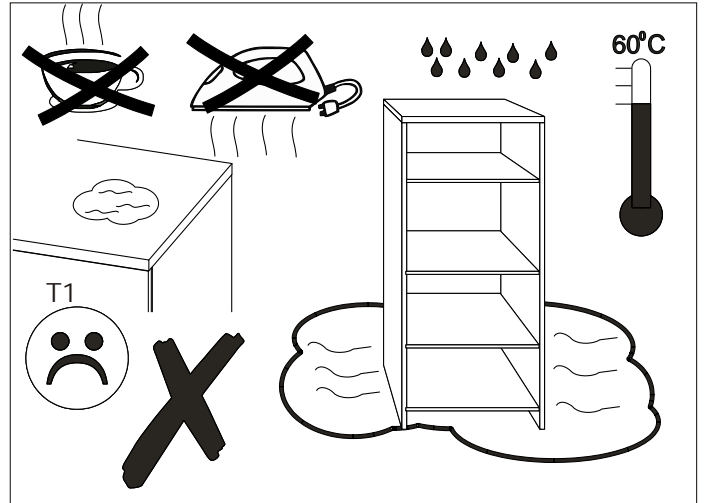
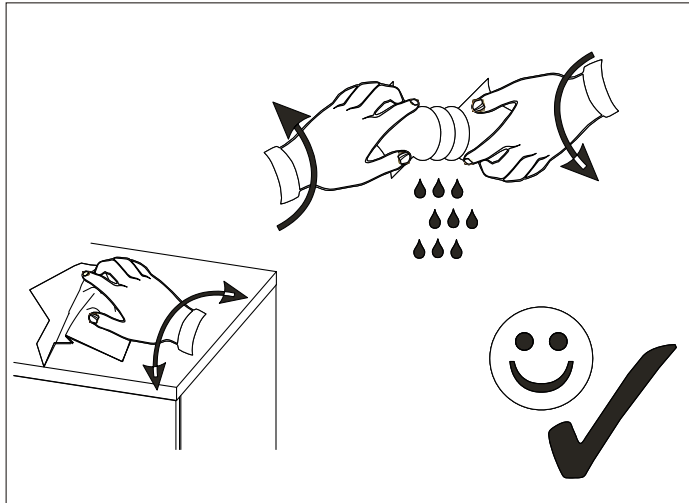
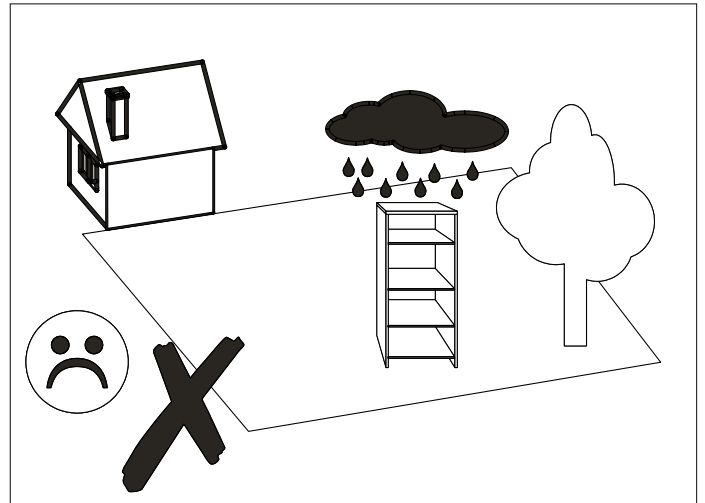
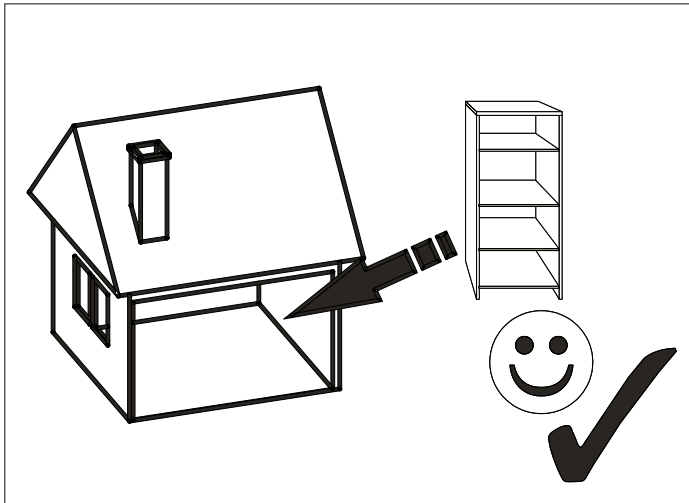
MODEL: FE18/120/140/160/180

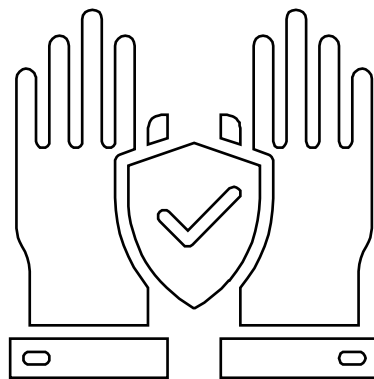
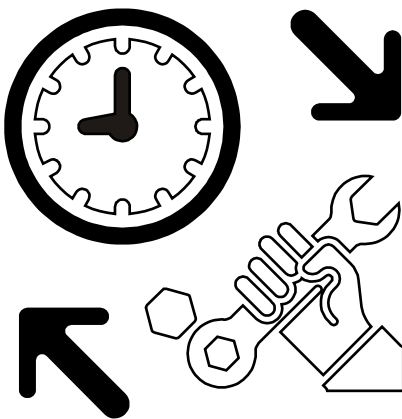
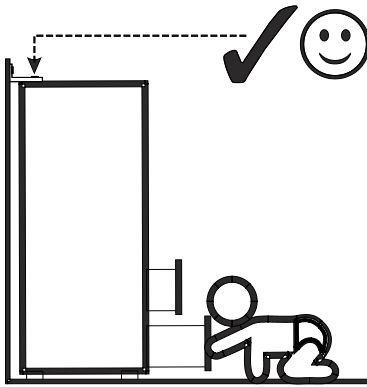
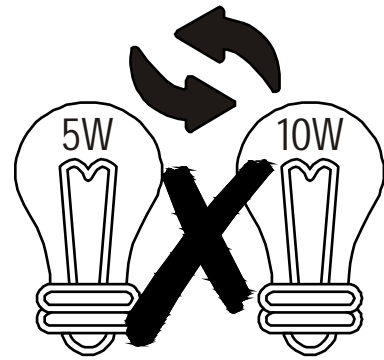
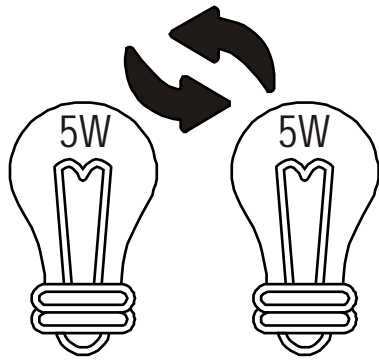
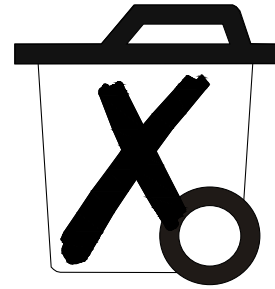
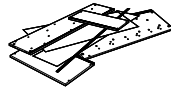
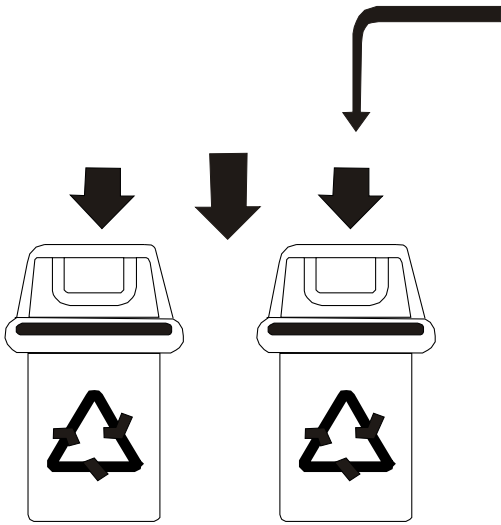
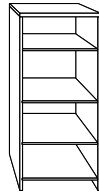


	FE18/120	FE18/140	FE18/160	FE18/180	
13	961x994	961x1194	961x1394	961x1594	4/4
12	1269x16	1469x16	1669x16	1869x16	3/4
11	1270x282	1470x282	1670x282	1870x282	3/4
10	1270x282	1470x282	1670x282	1870x282	3/4
9	106x126	106x126	106x126	106x126	1/4
8	966x282	1166x282	1366x282	1566x282	1/4
7	1210x282	1410x282	1610x282	1810x282	1/4
6	1270x248	1470x248	1670x248	1870x248	1/4
5	1270x575	1470x575	1670x575	1870x575	1/4
4	1882x282	1882x282	1882x282	1882x282	2/4
3	1882x282	1882x282	1882x282	1882x282	2/4
2	2004x246	2004x246	2004x246	2004x246	2/4
1	2004x246	2004x246	2004x246	2004x246	2/4

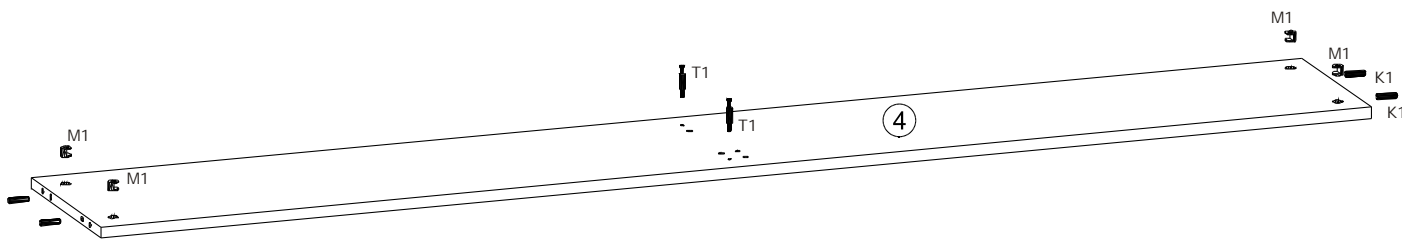
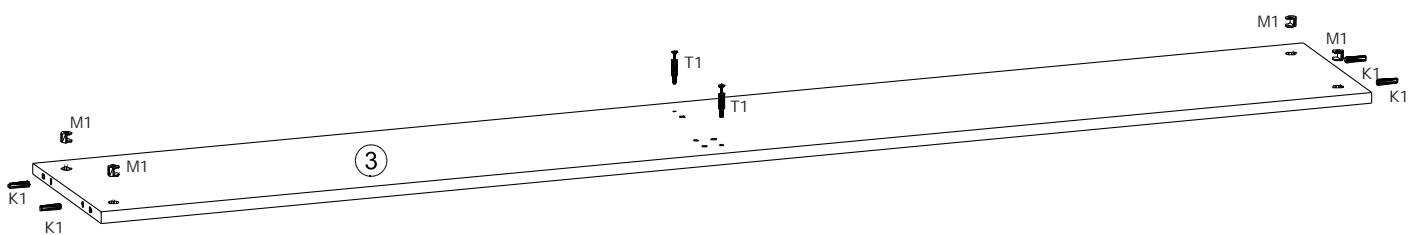
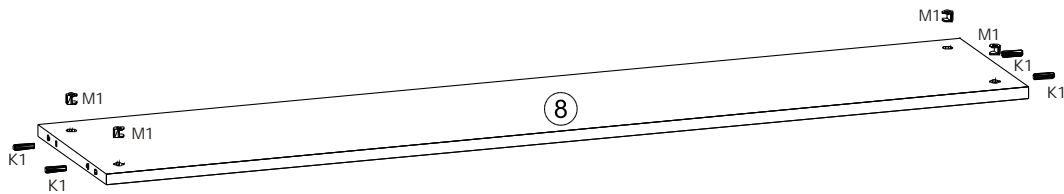
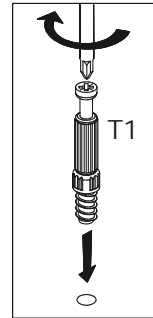
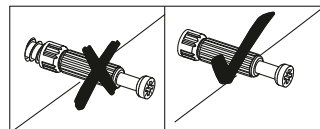
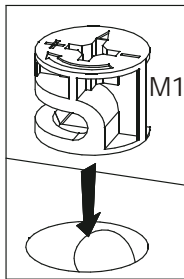
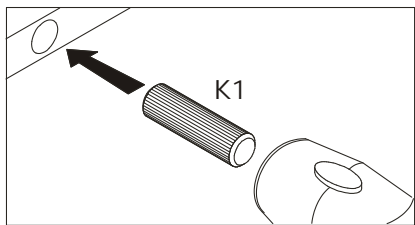
8x 15x16 ZN4	10x BS1						
9x 5x16 E9	4x Φ15/29 M4	12x 5x20 E8	14x 14/863 ZN2	26x 20/863 ZN1	9x N1	4x M6x60 A2	3x R1
4x NK1	6x 6.4x50 K5	62x 3x20 W9	10x BS1	6x (FE18/120- 5x) 4x30 A8	22x Φ15/15 M1	26x T1	25x 8x30 K1
							1x Z1



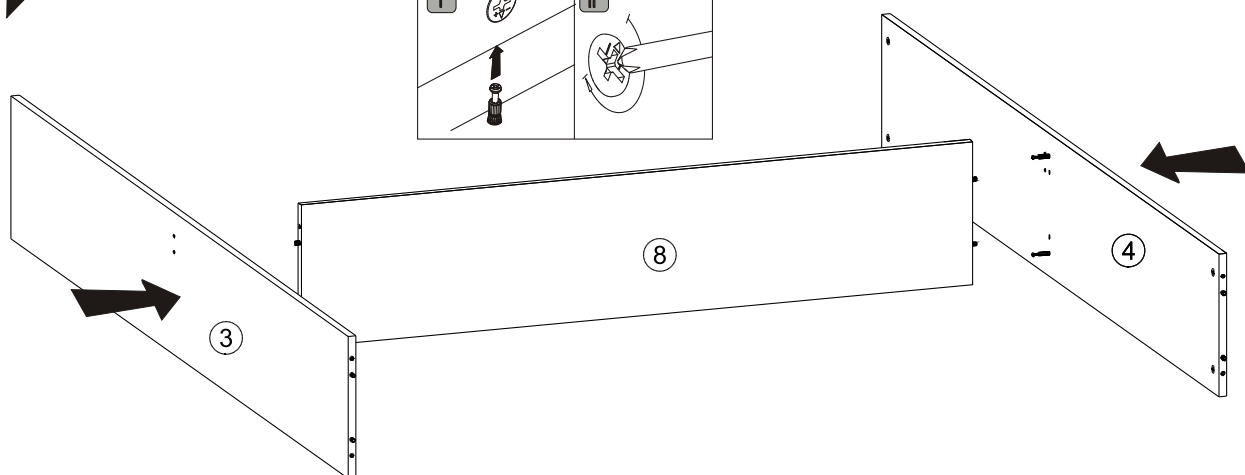
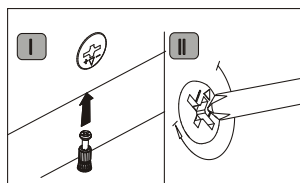




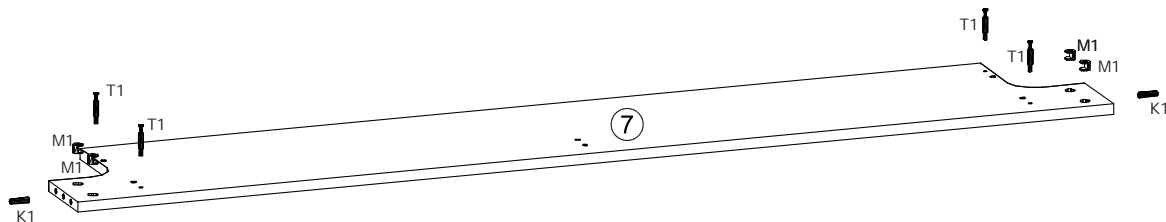
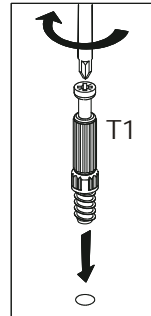
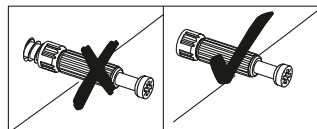
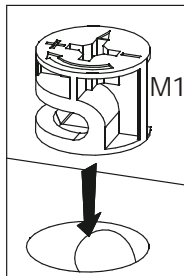
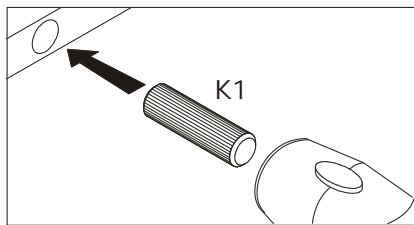
1 ▶



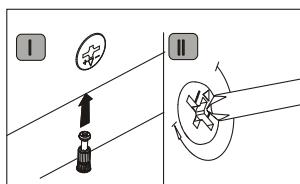
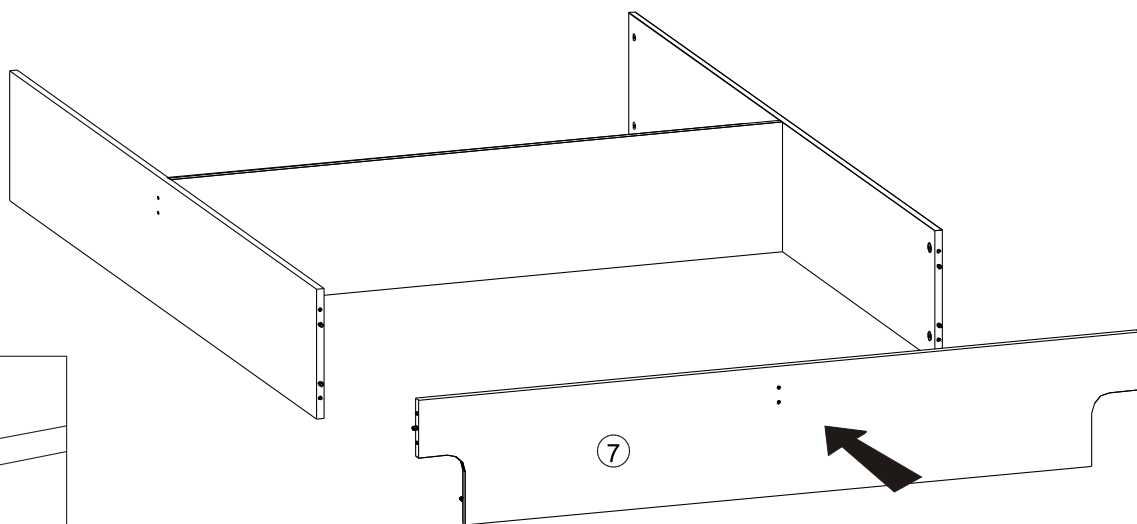
2 ▶



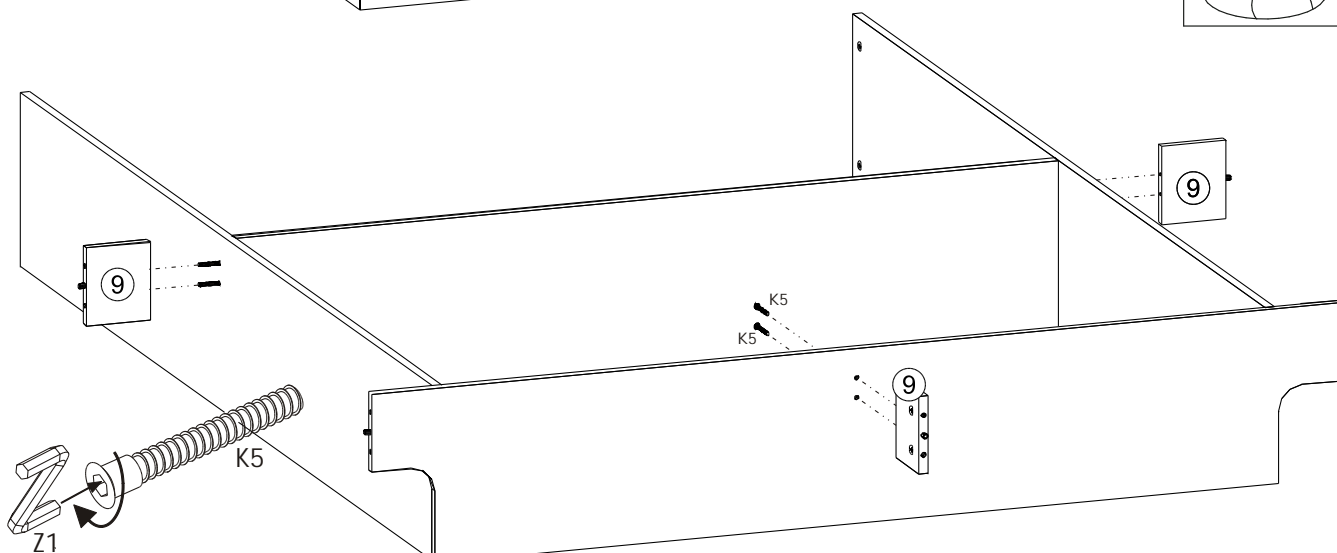
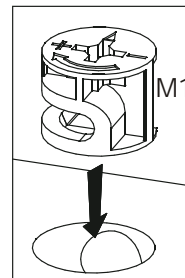
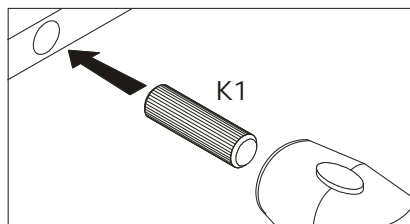
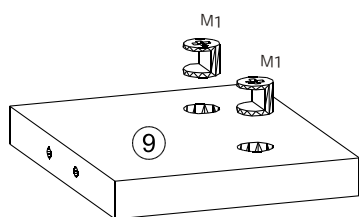
3 ▶



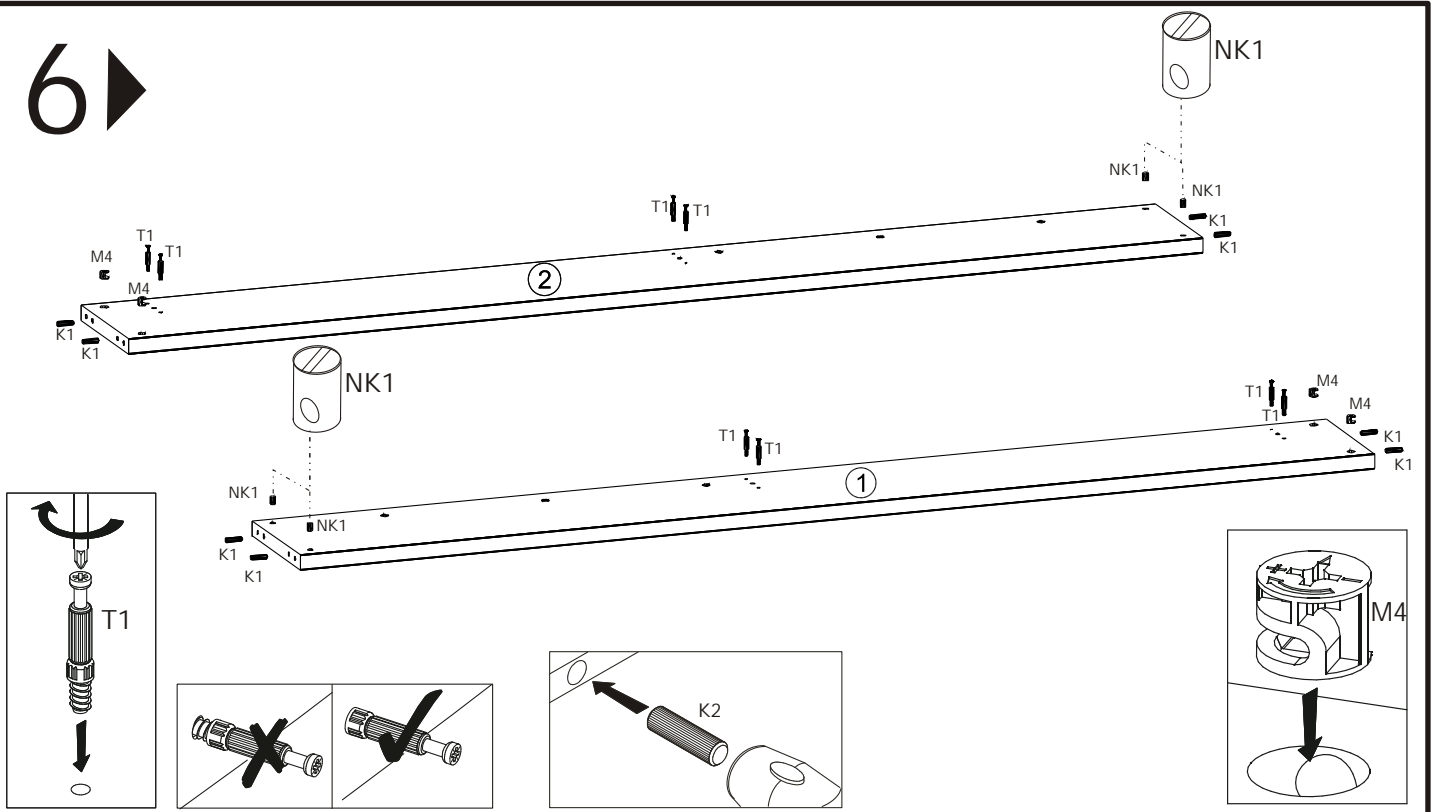
4 ▶



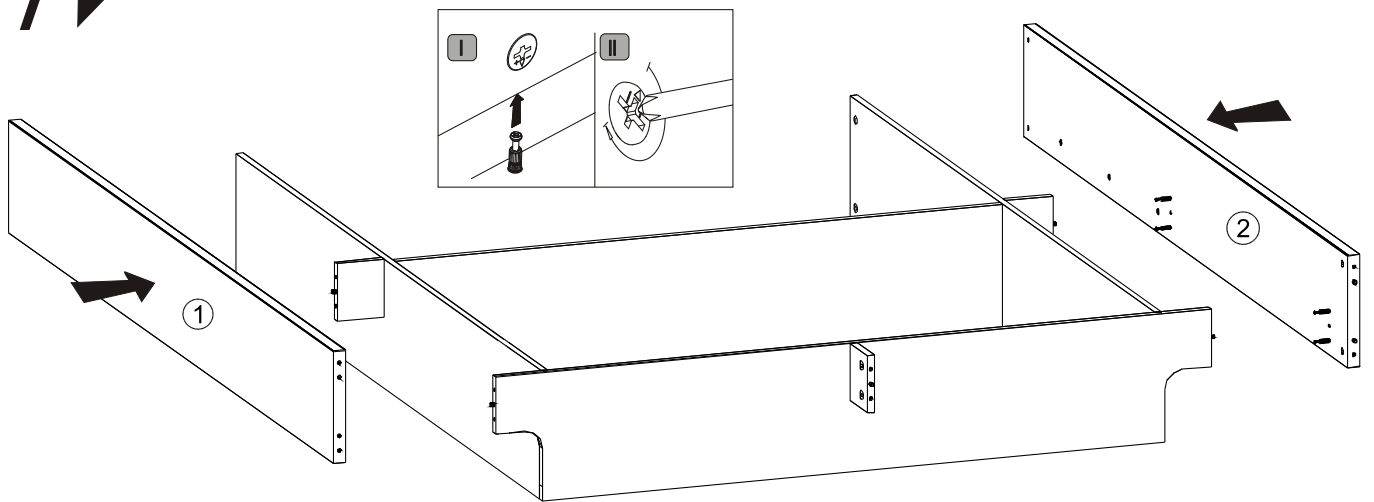
5 ▶



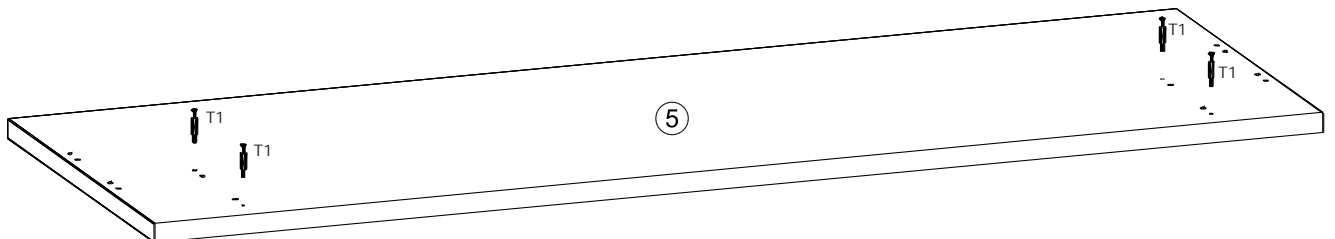
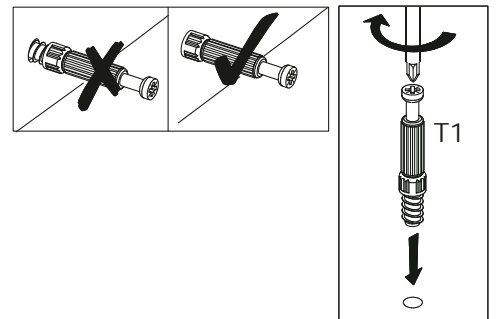
6 ▶



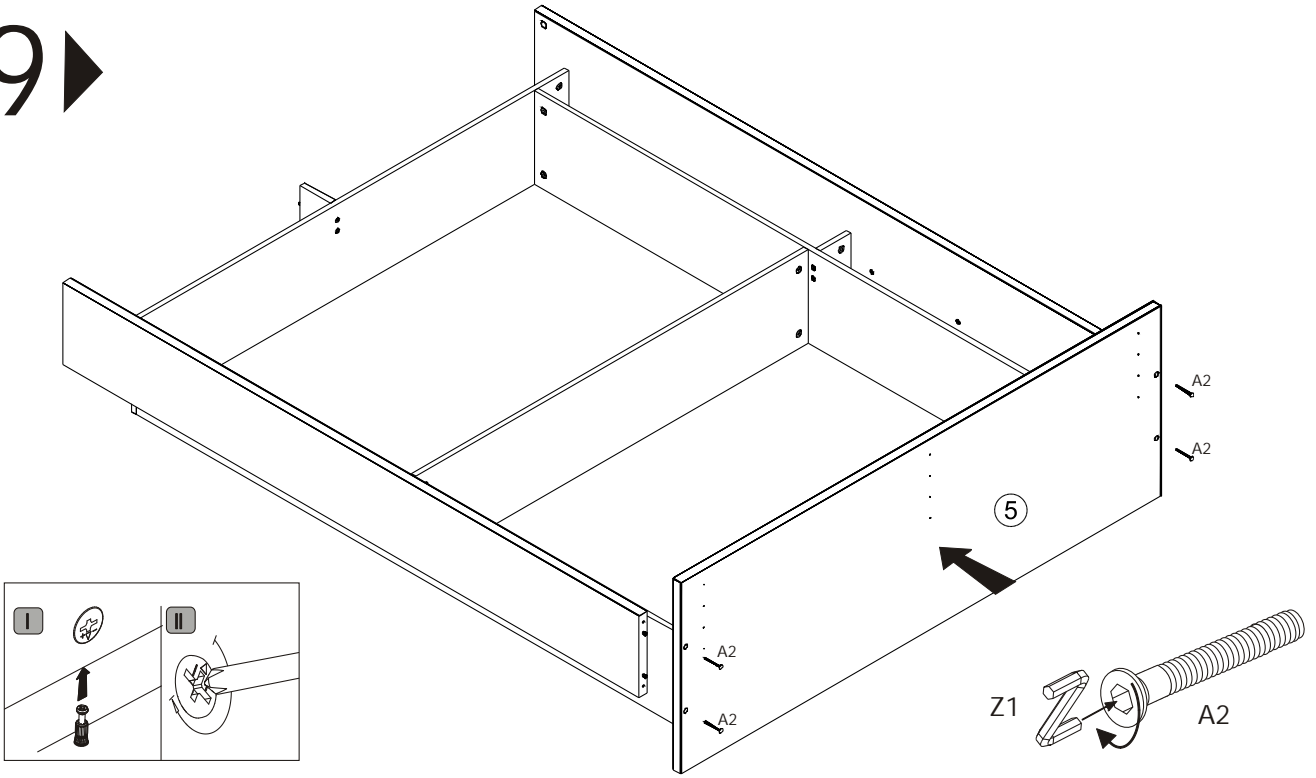
7 ▶



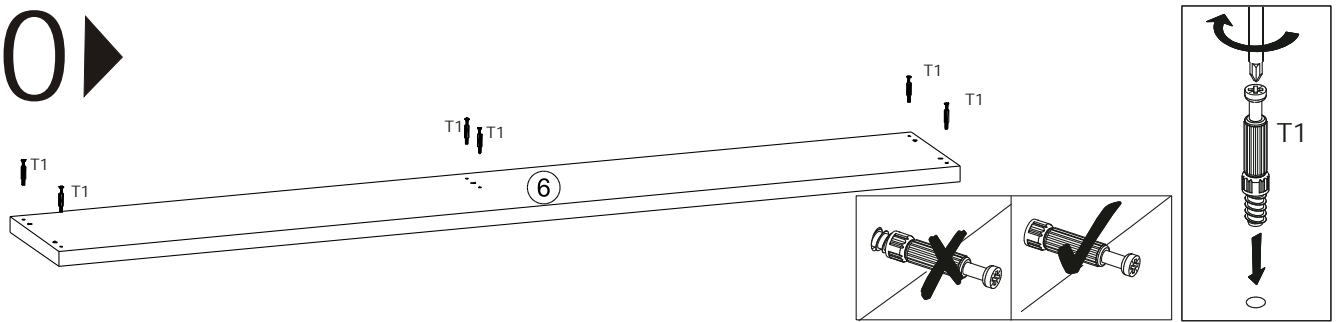
8 ▶



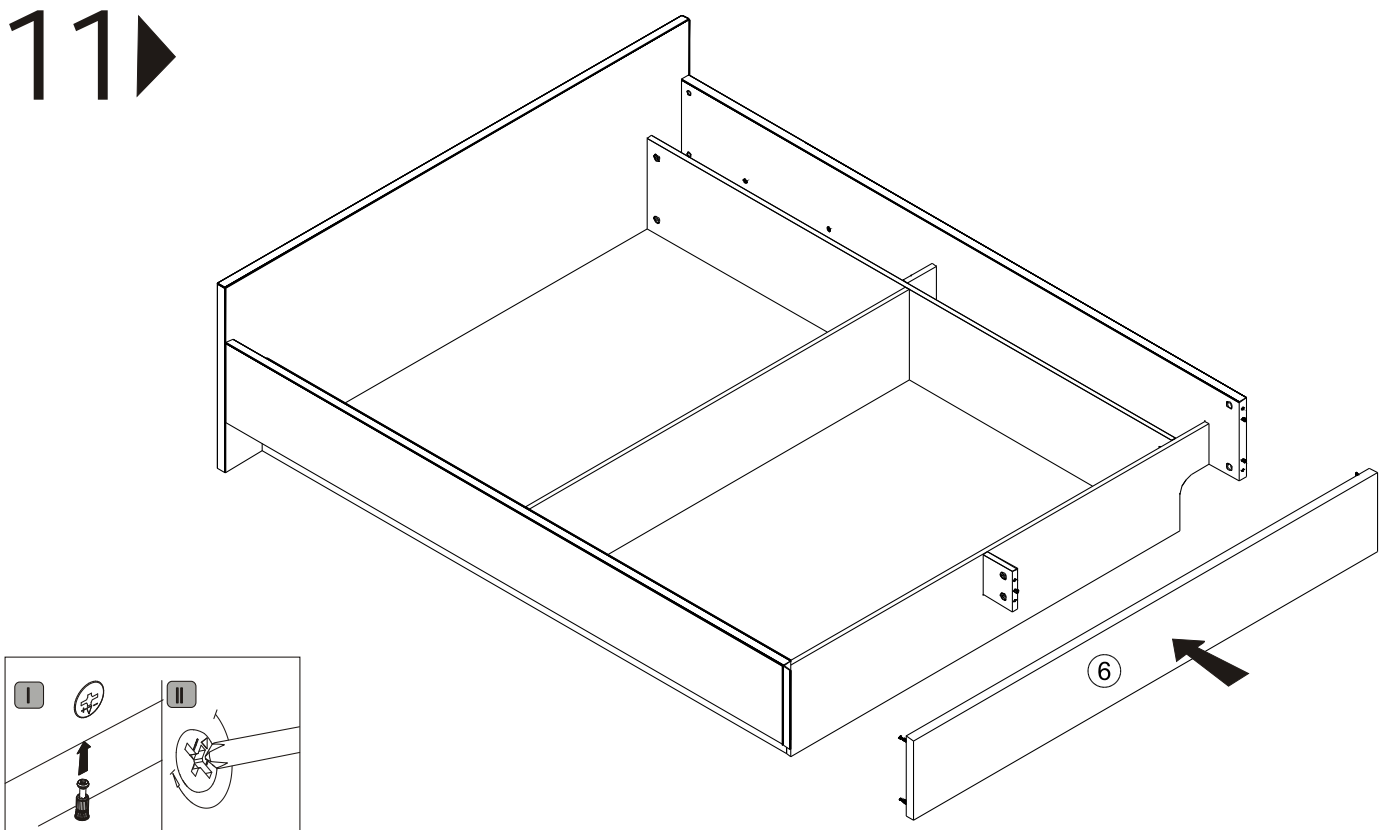
9 ▶



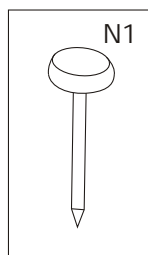
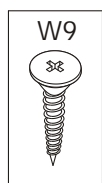
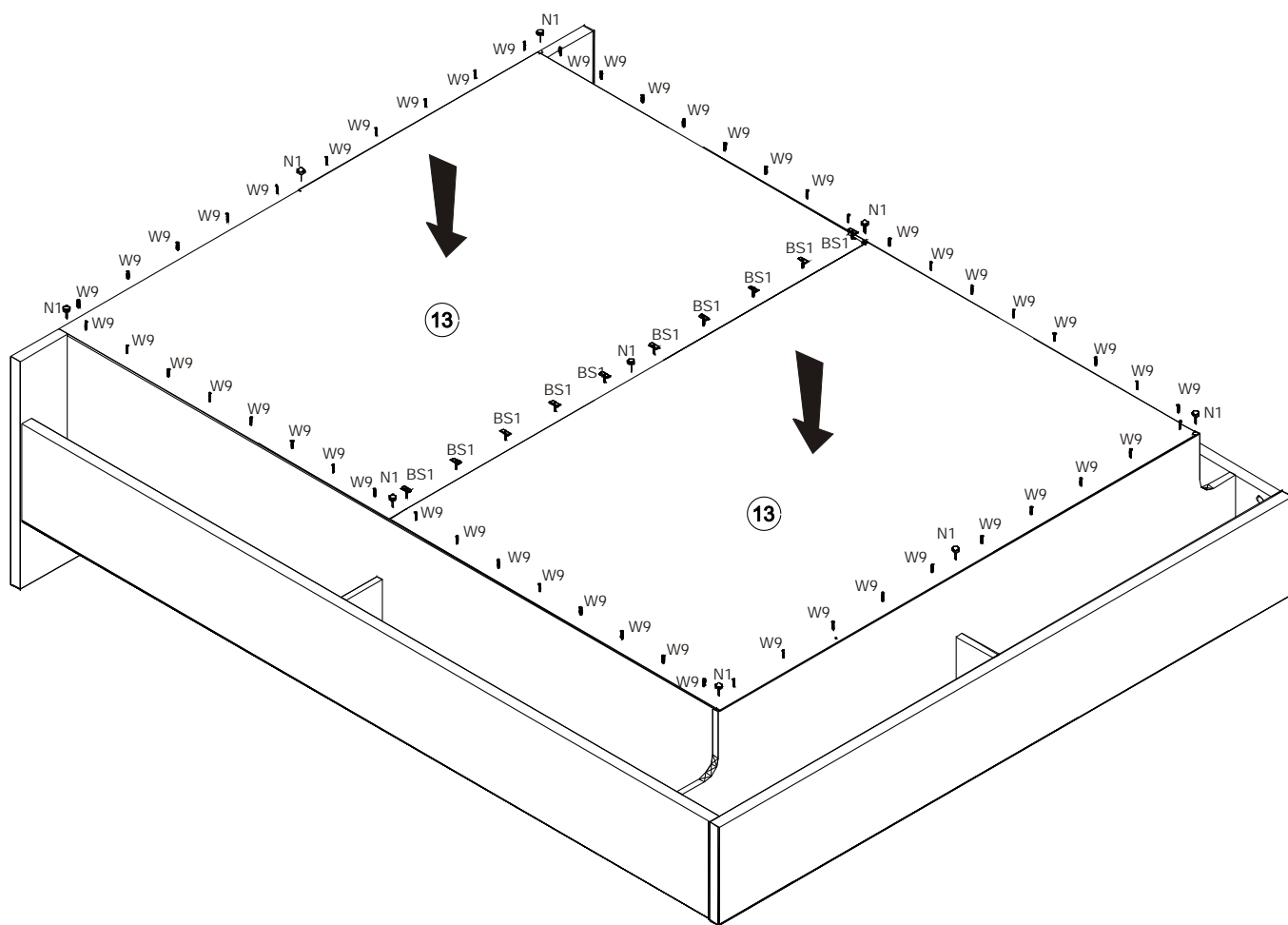
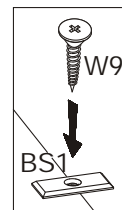
10 ▶



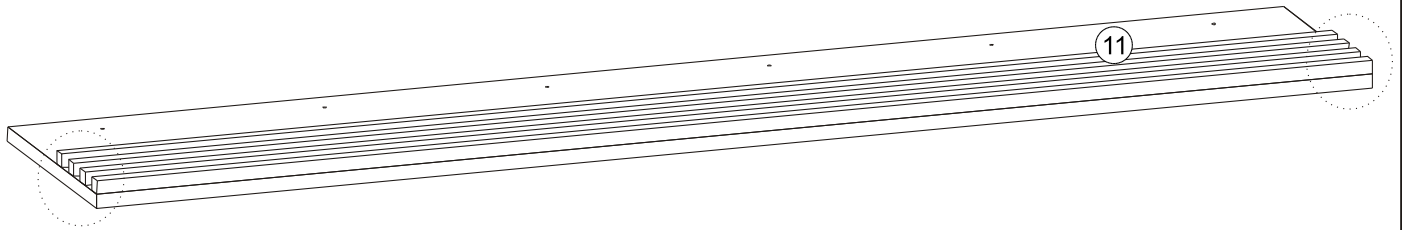
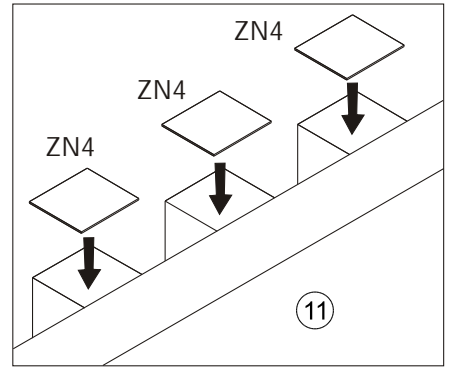
11 ▶



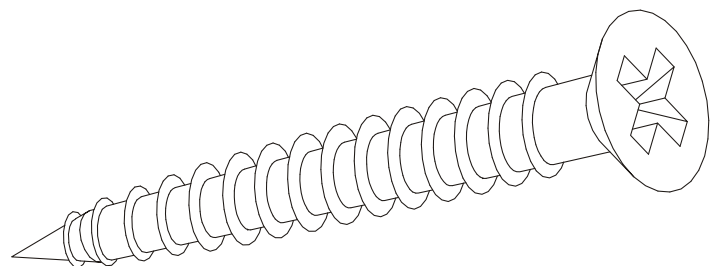
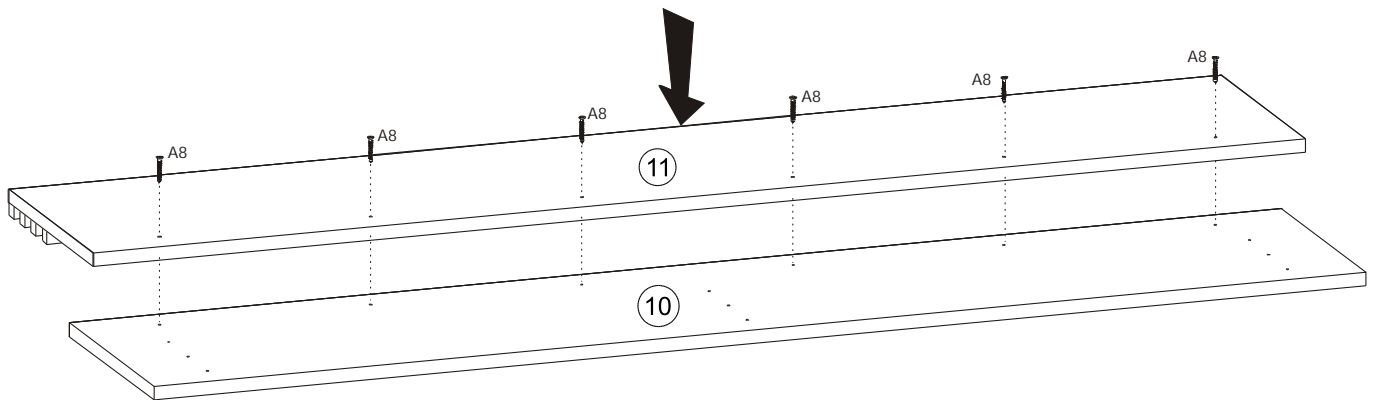
12▶



13▶

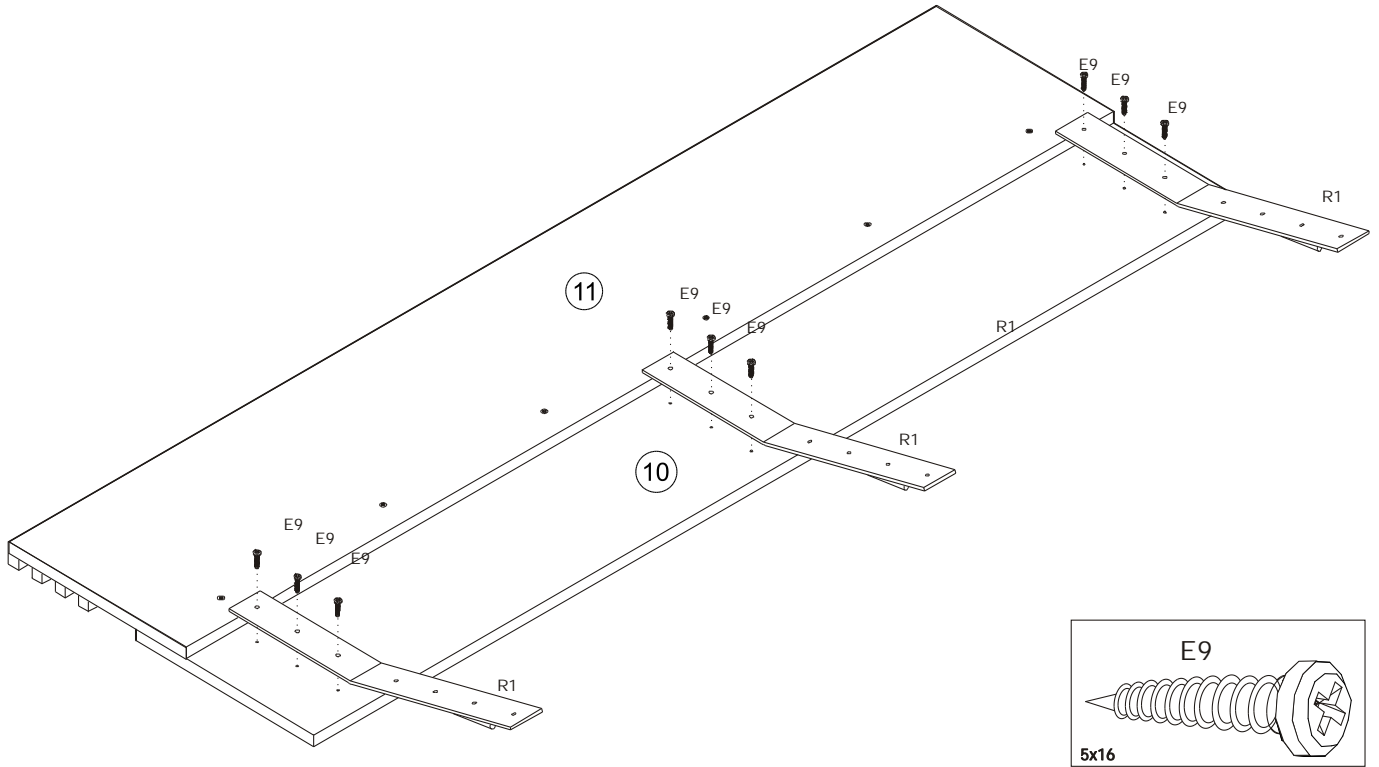
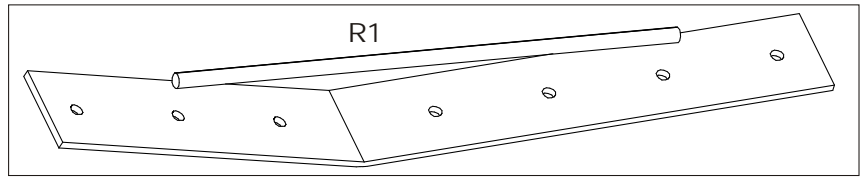


14▶

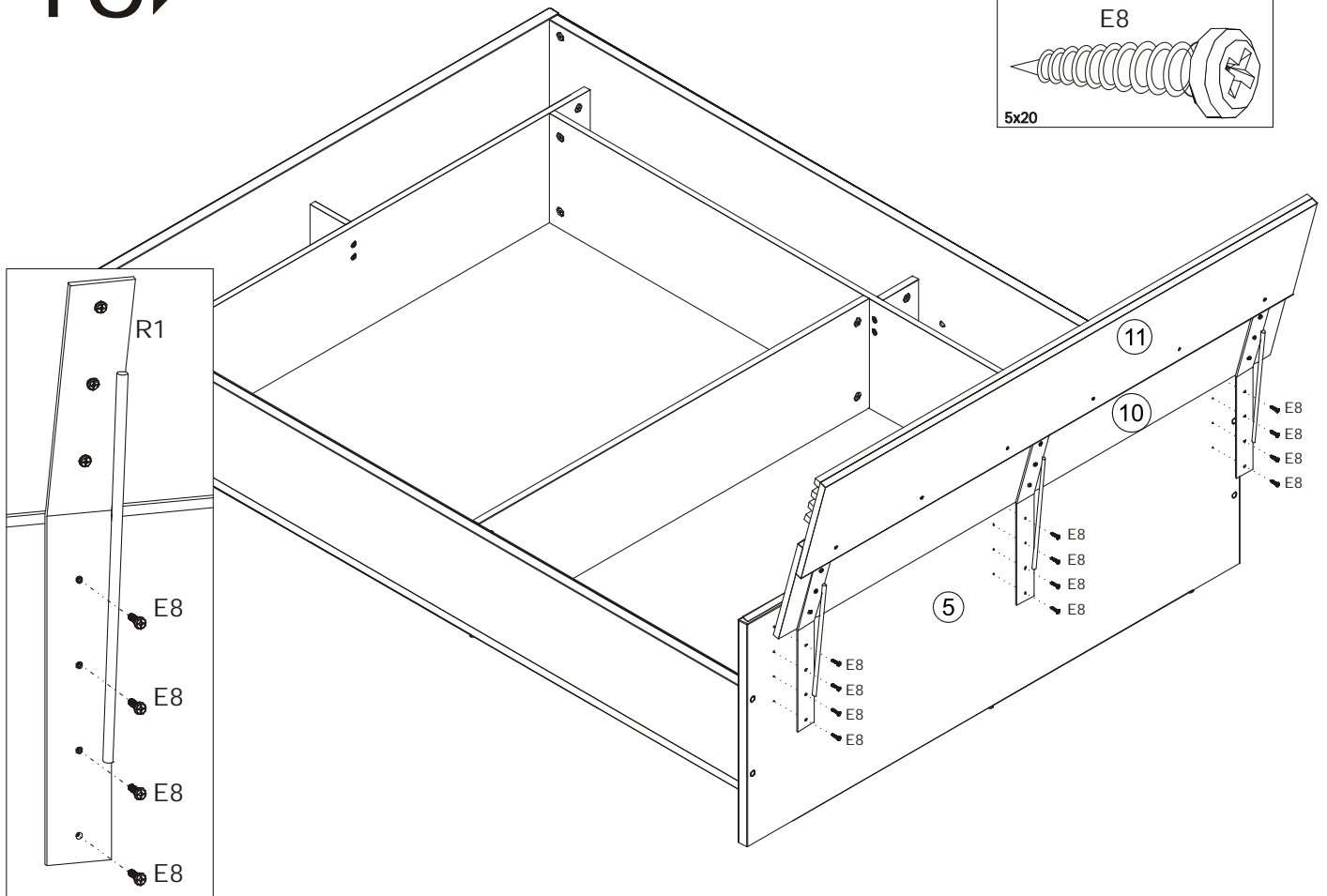
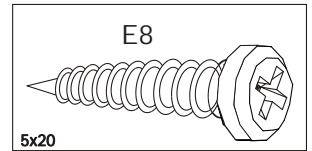


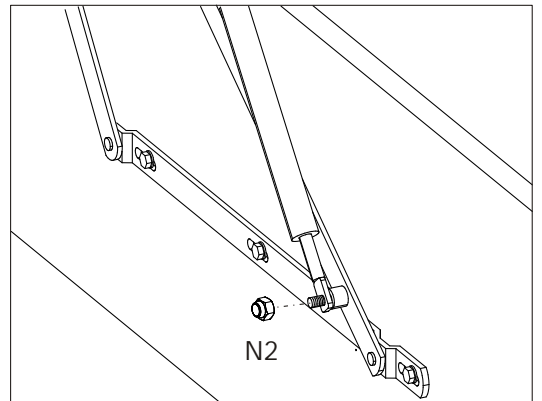
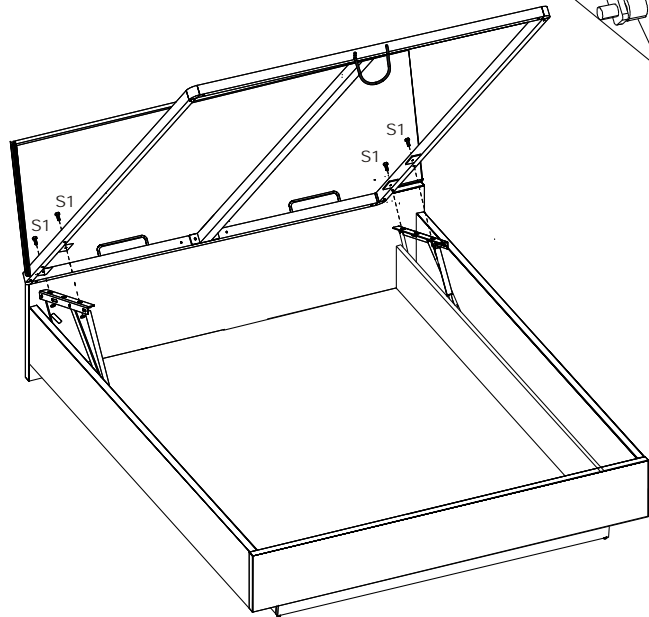
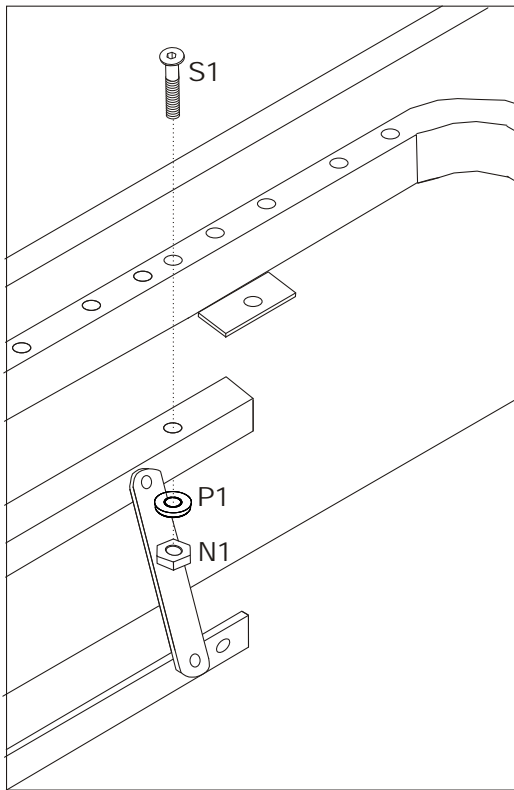
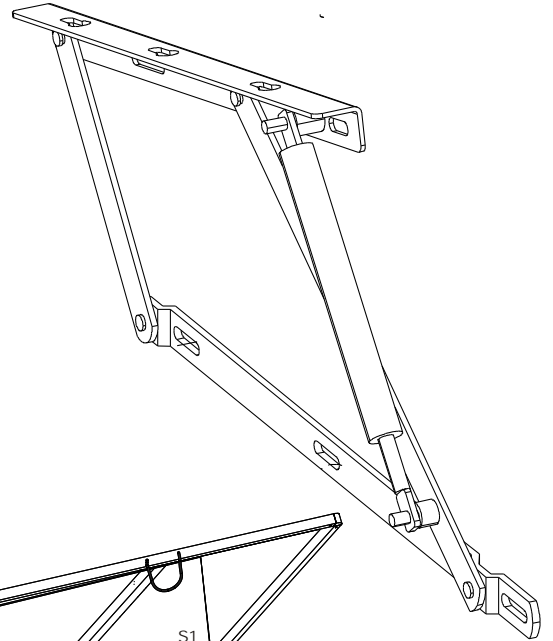
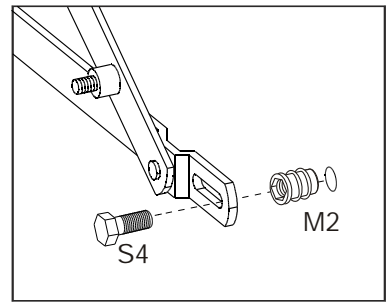
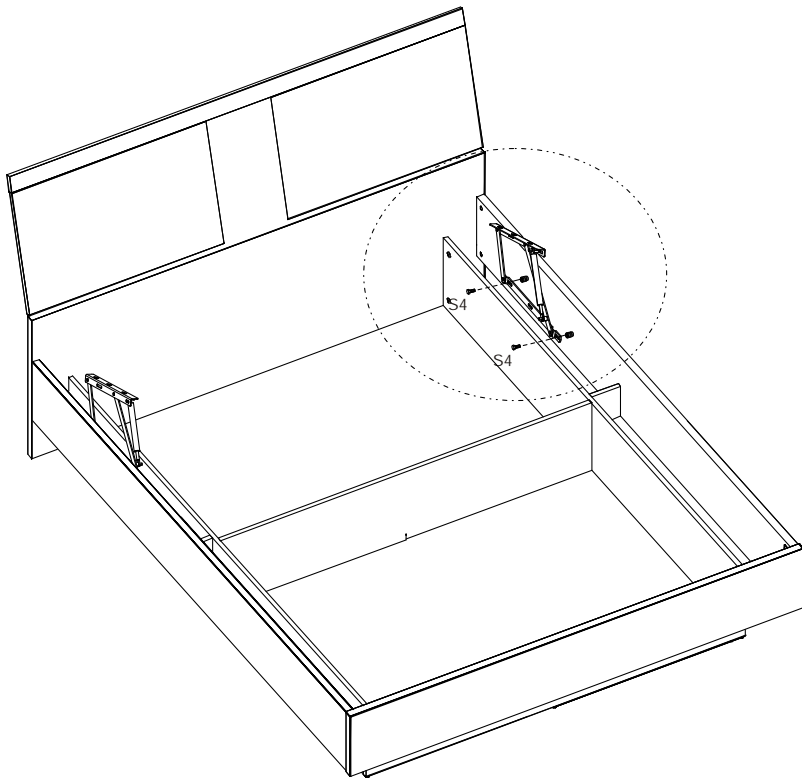
4x30

15 ▶












16 ▶





možnost

- | | | | | | | | | | | | | | | | | | |
|----|--|----|--|------|--|----|--|----|--|----|---|------|--|-----|--|----|--|
| 4x |  N2 | 6x |  S4 | 1KPL |  P2 | 4x |  S1 | 4x |  N1 | 6x |  M2 | 10x |  B4 | 62x |  W9 | 4x |  P1 |
| | M8x20 | | M6x20 | | | | | | | | | 3x20 | | | | | |