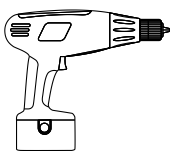
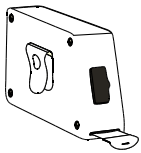
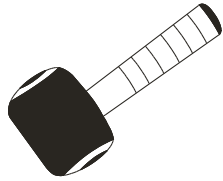
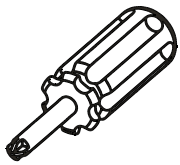
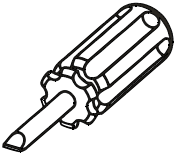


# MODEL:

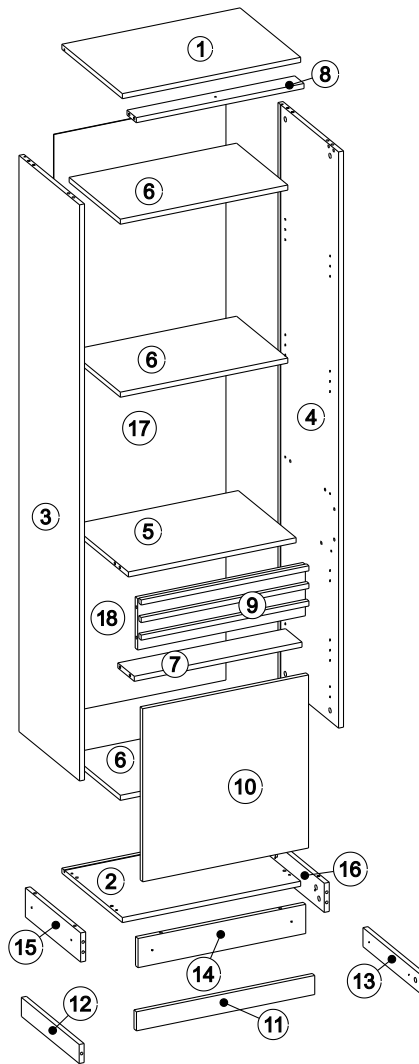
# FE06



194,5

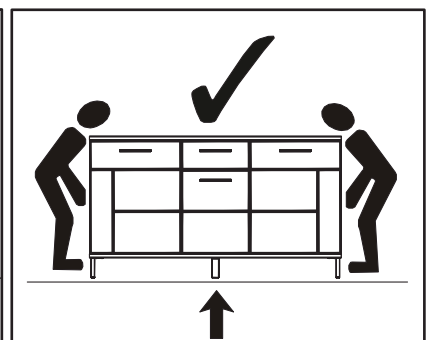
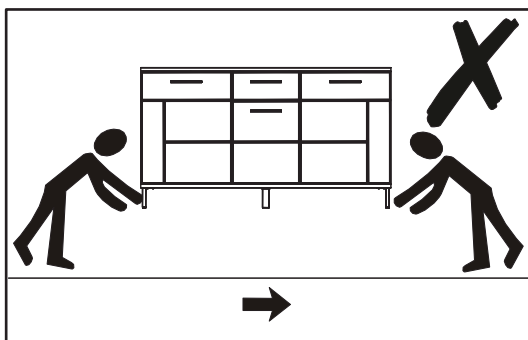
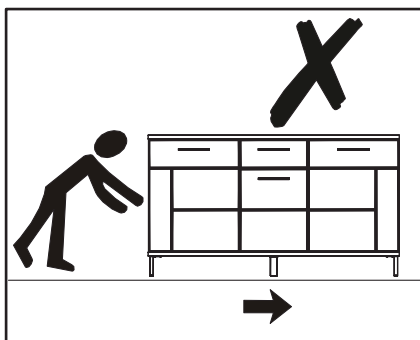
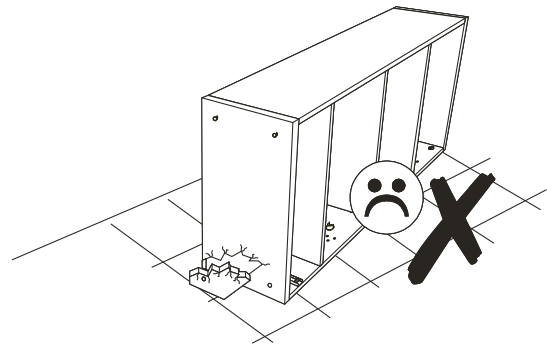
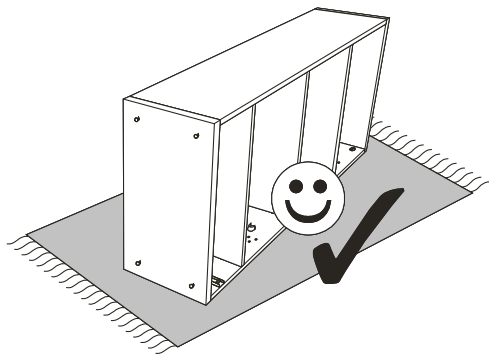
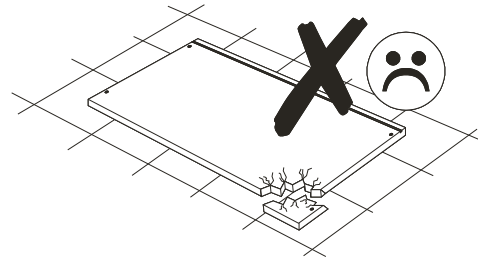
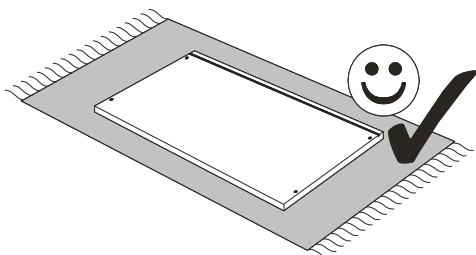
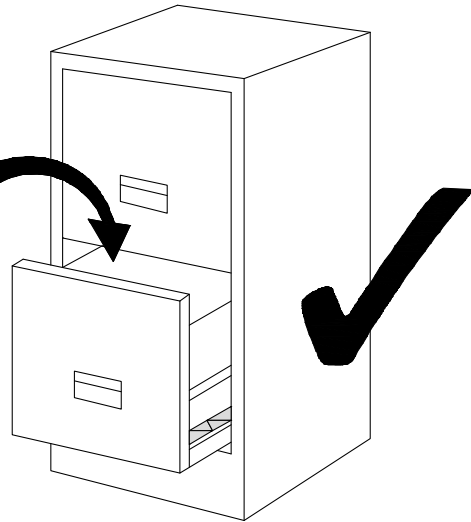
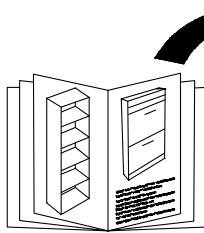
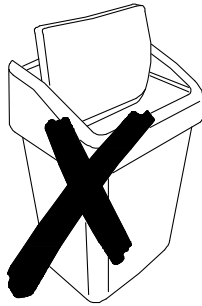
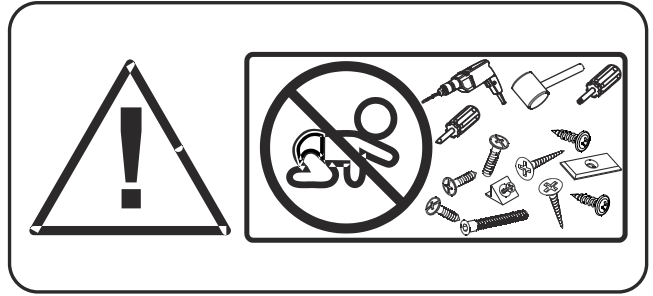
39

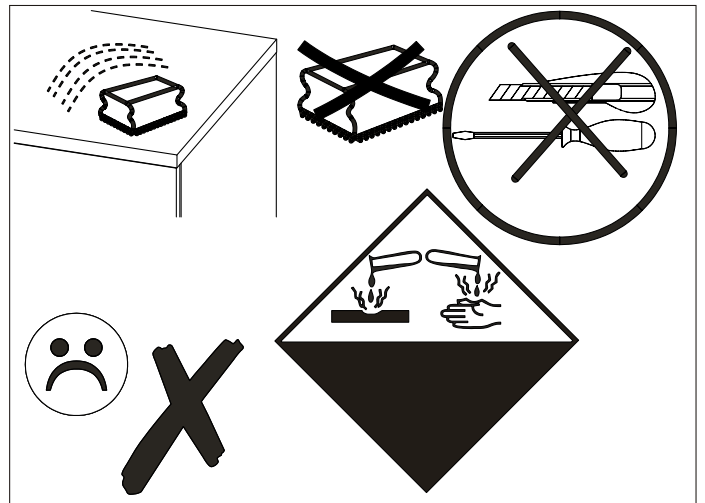
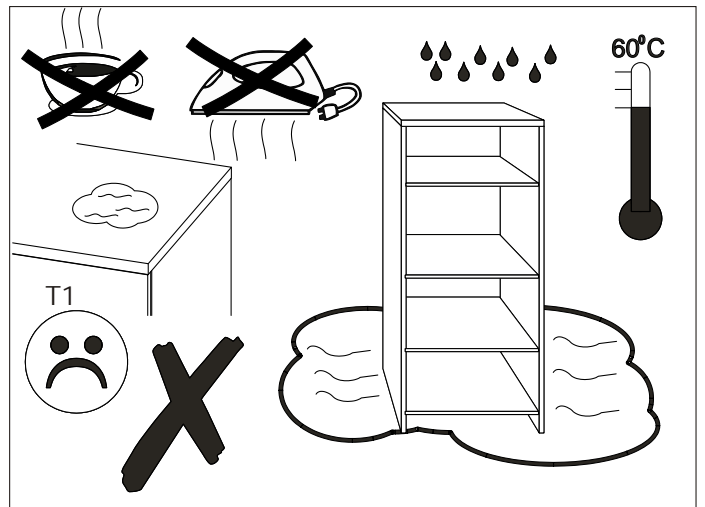
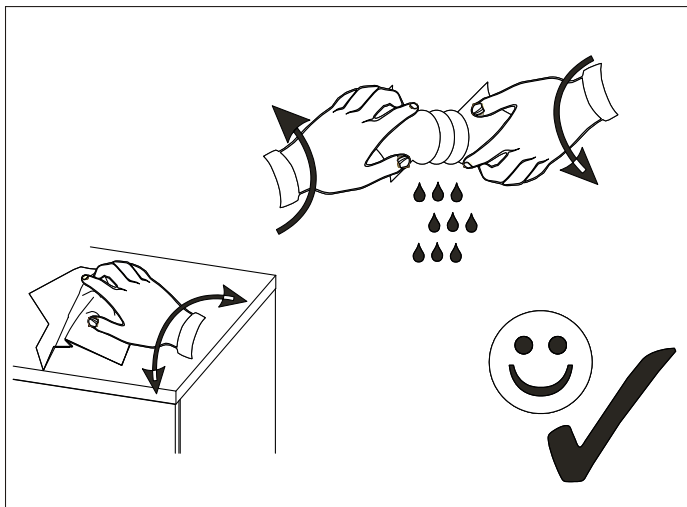
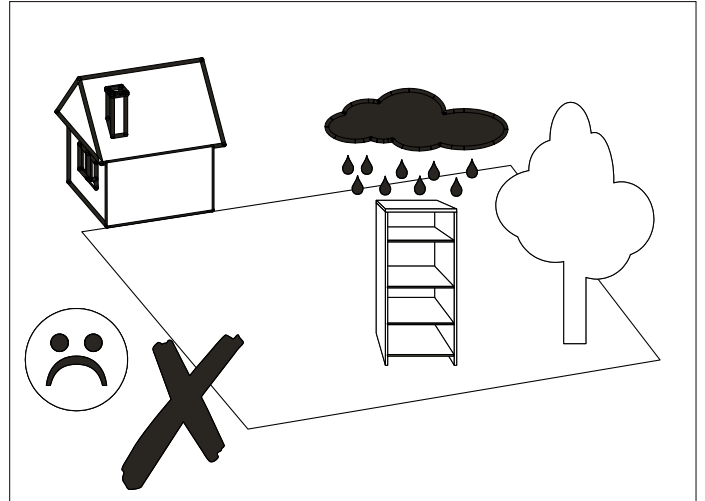
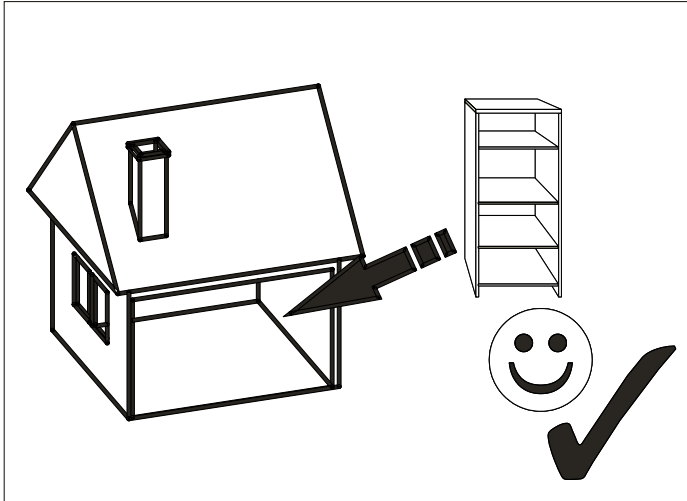
57,5

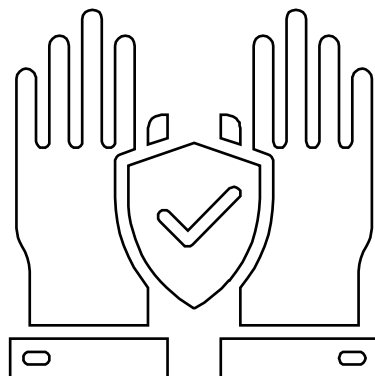
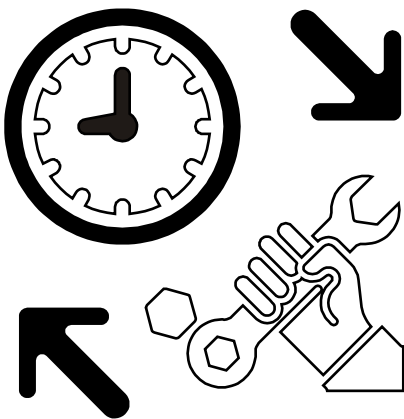
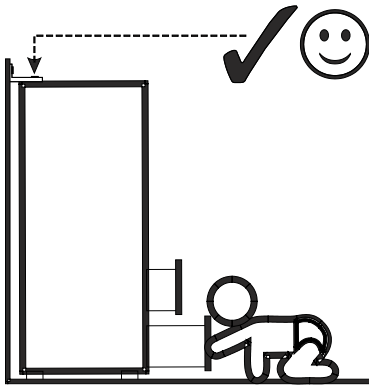
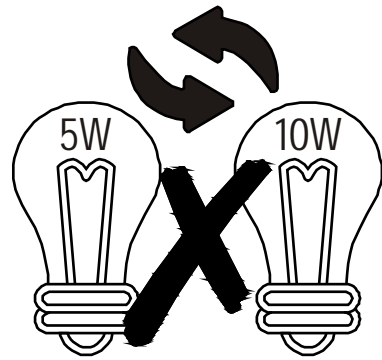
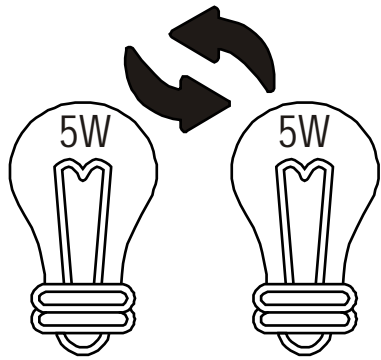
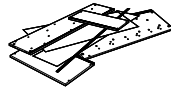
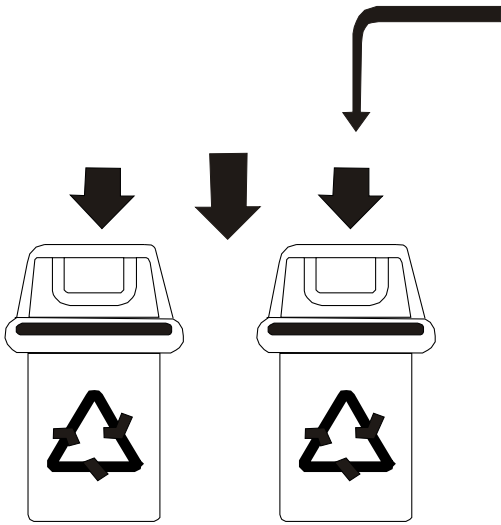
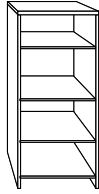


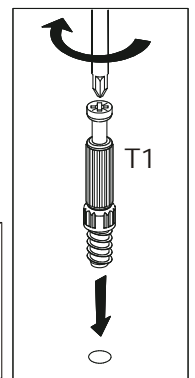
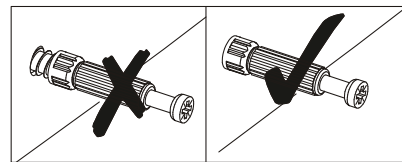
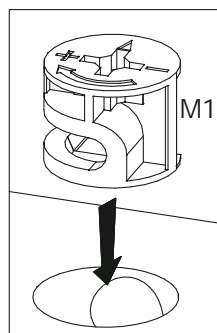
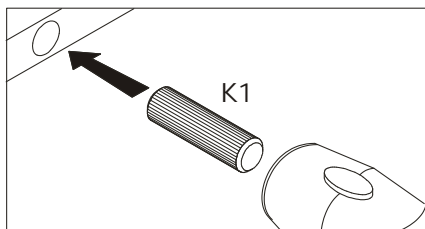
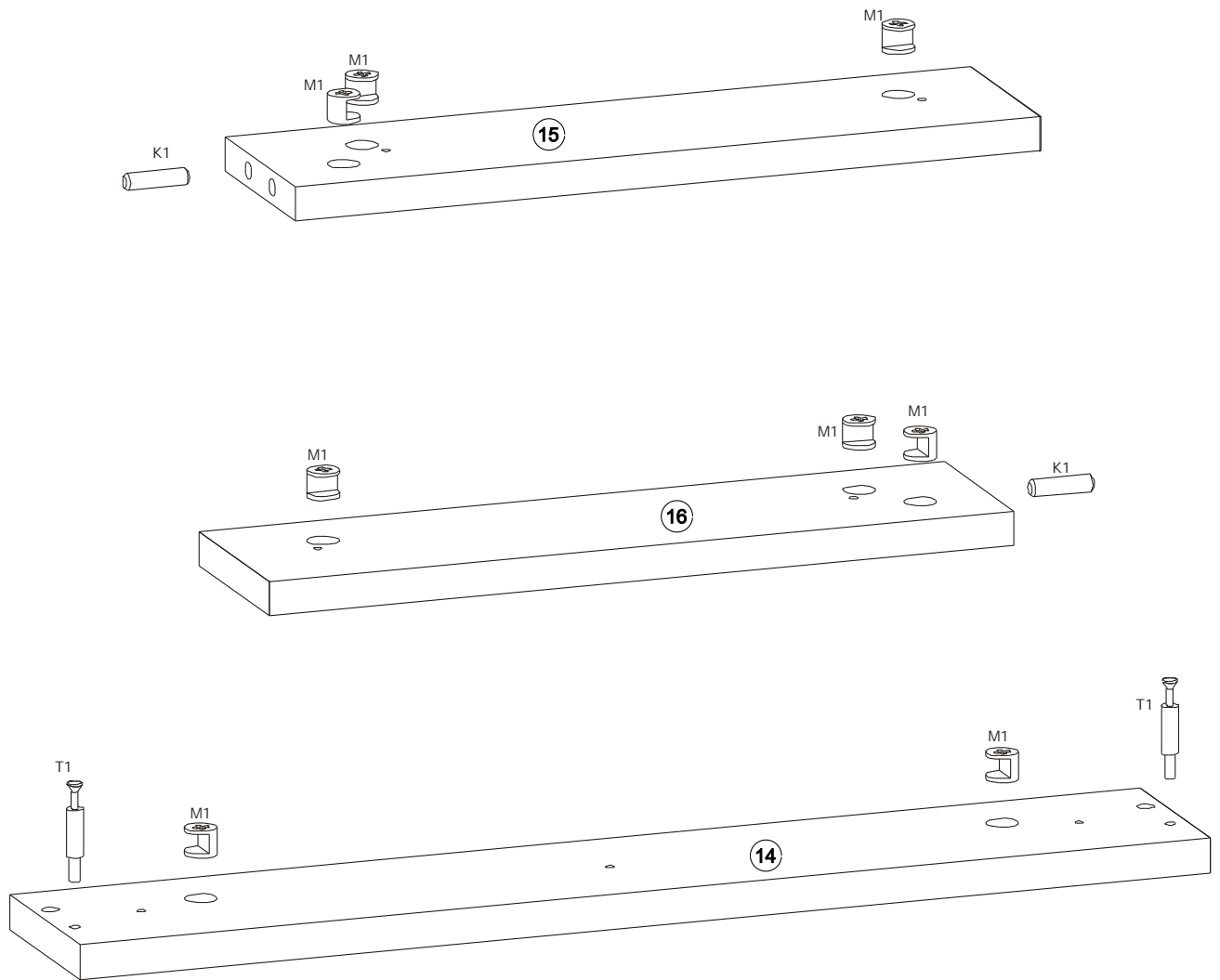
18	733x554	3/3
17	1098x554	3/3
16	356x92	2/3
15	356x92	2/3
14	540x92	2/3
13	372x60	2/3
12	372x60	2/3
11	574x60	2/3
10	546x534	3/3
9	540x162	3/3
8	540x60	3/3
7	540x106	3/3
6	539x330	2/3
6	539x330	1/3
5	540x372	2/3
4	1818x390	2/3
3	1818x390	2/3
2	574x390	1/3
1	574x390	1/3

4x 								
8x #20/863 ZN1	8x 3.5x16 W3	14x ST1	1x U1	4x N1	14x 3x20 W9	2x ZC90	8x 4x30 W4	4x N1
1x £1	24x 8x30 K1	1x #14/863 ZN2	12x B1	24x #15/15 M1	24x DU232T T1	16x 4x20 W8	4x 2x20 G1	1x Z10

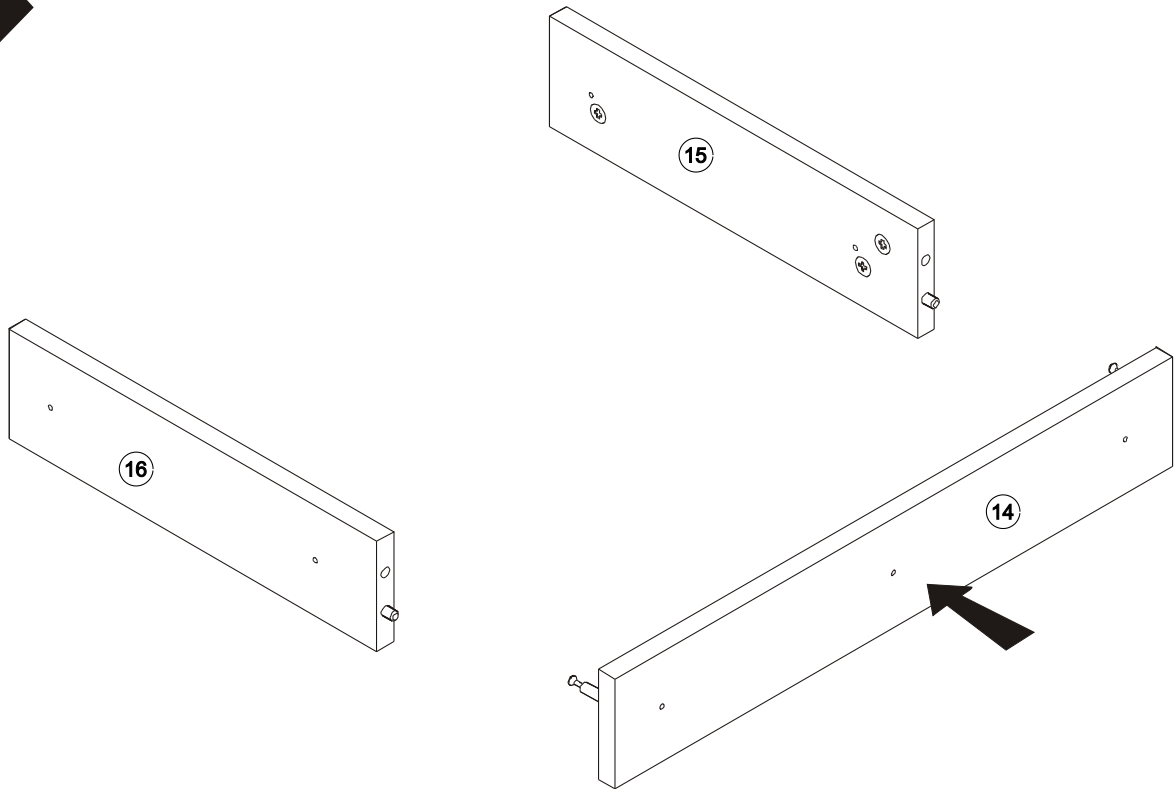




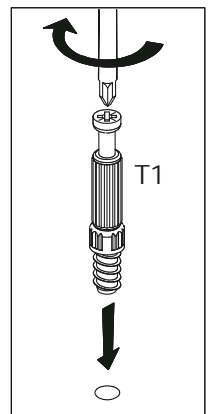
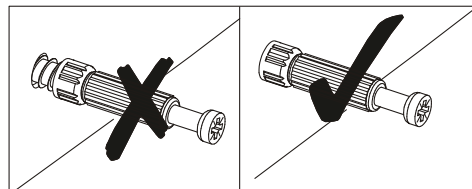
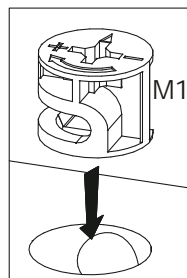
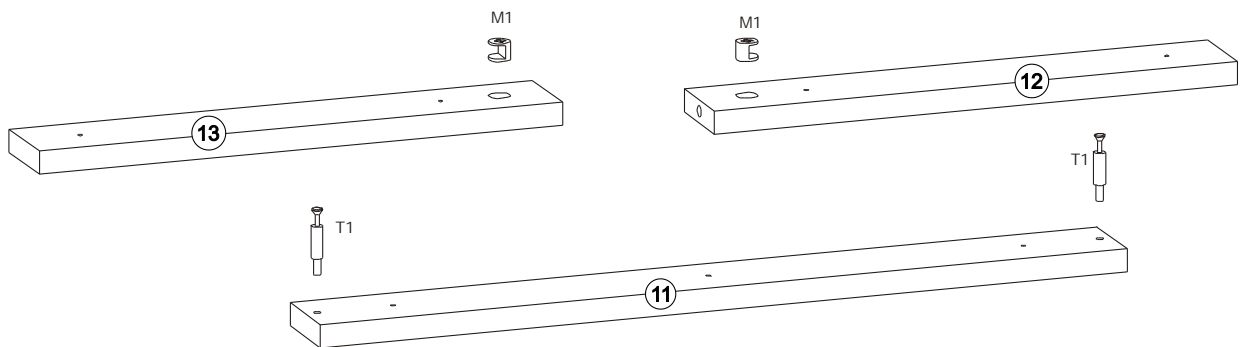




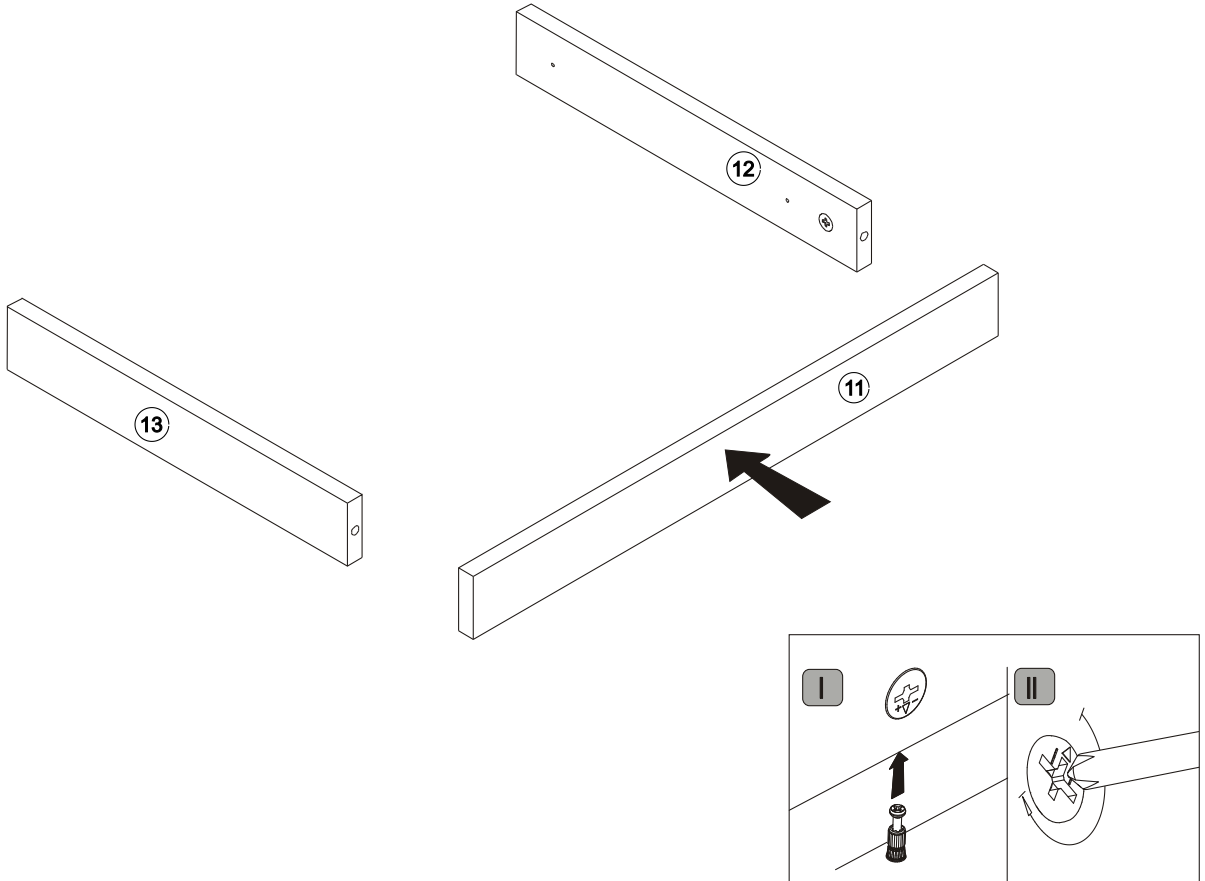
2 ▶



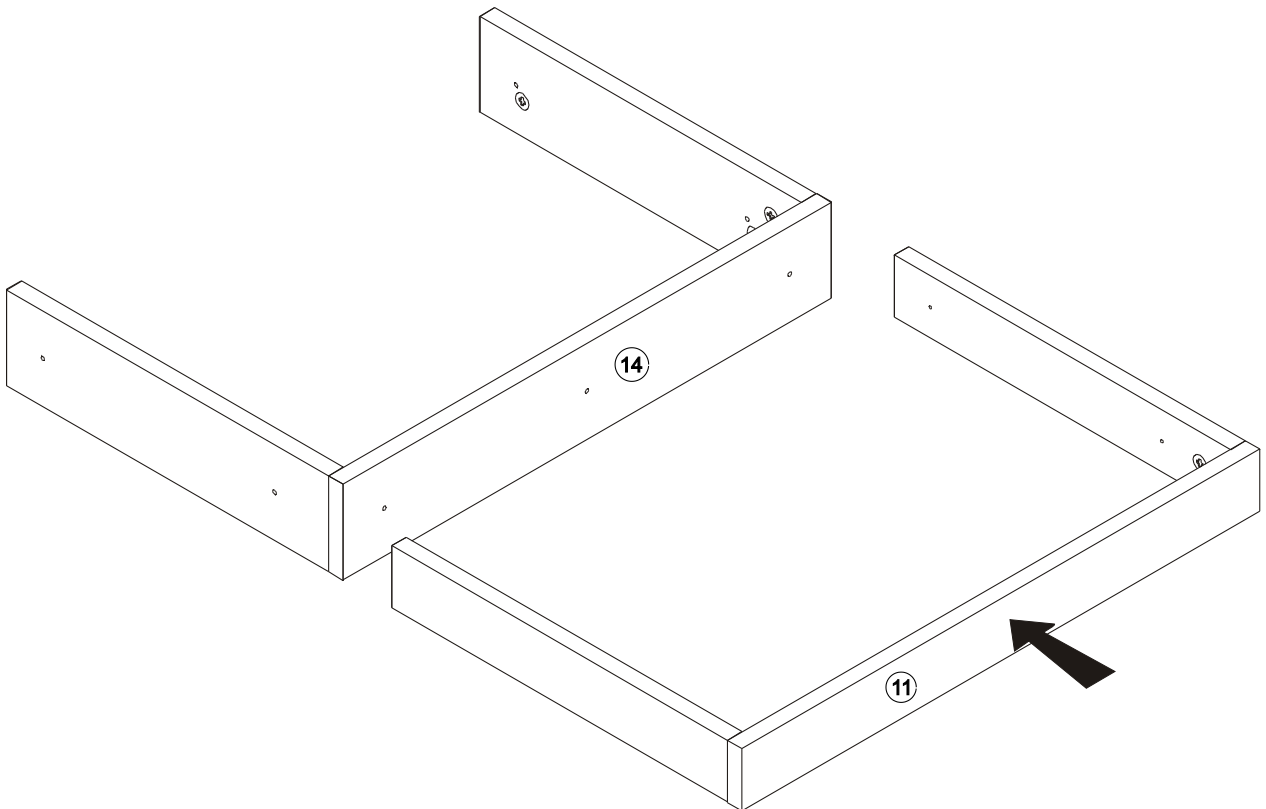
3 ▶



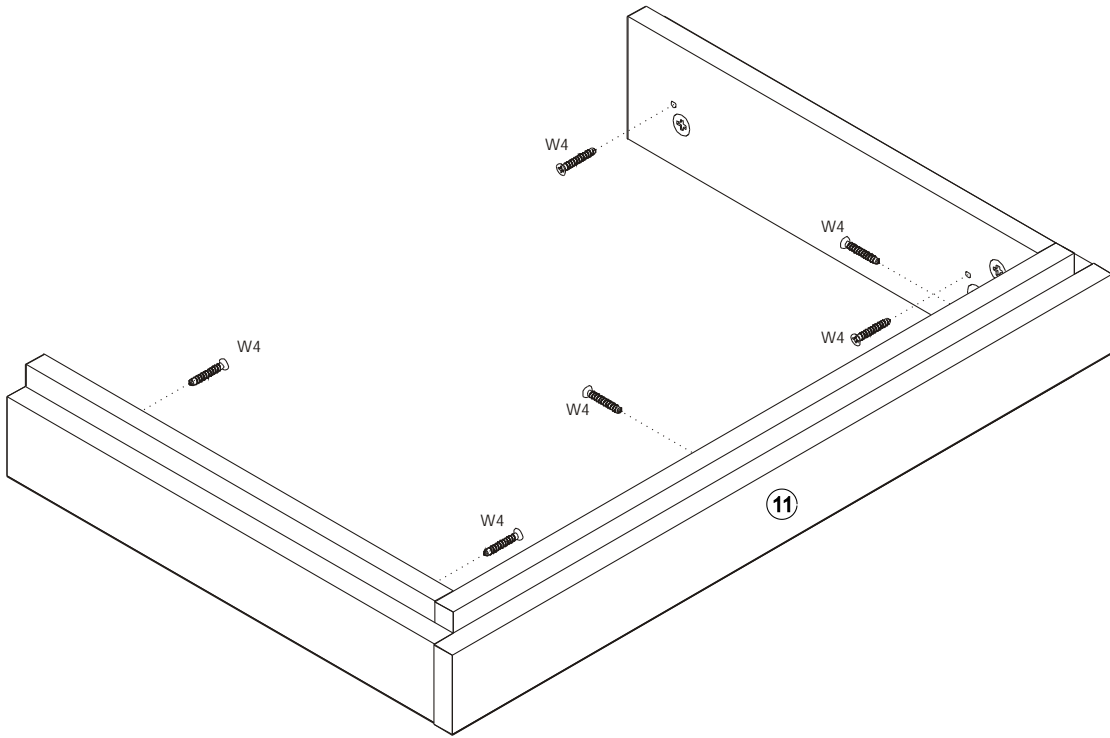
4 ▶



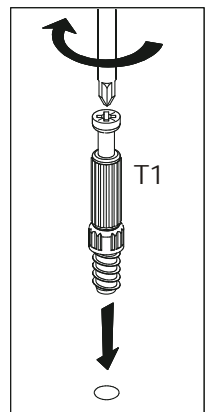
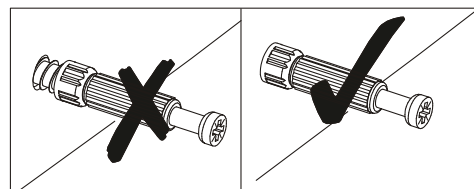
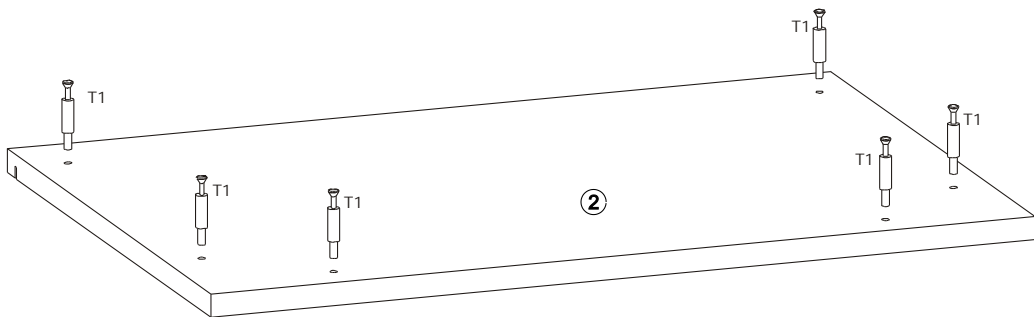
5 ▶



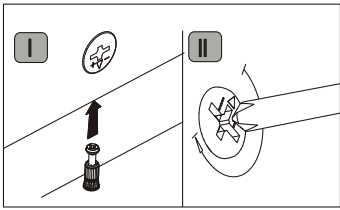
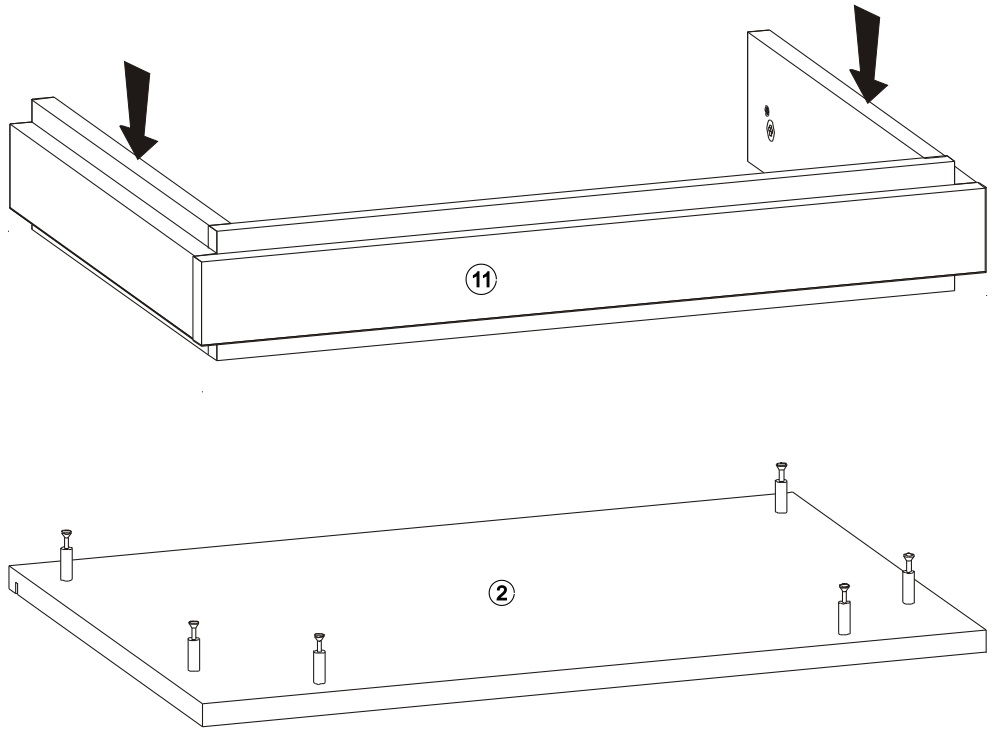
6▶



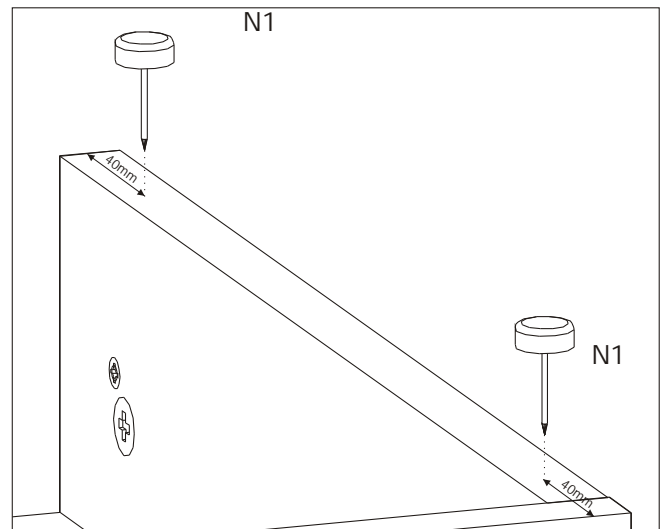
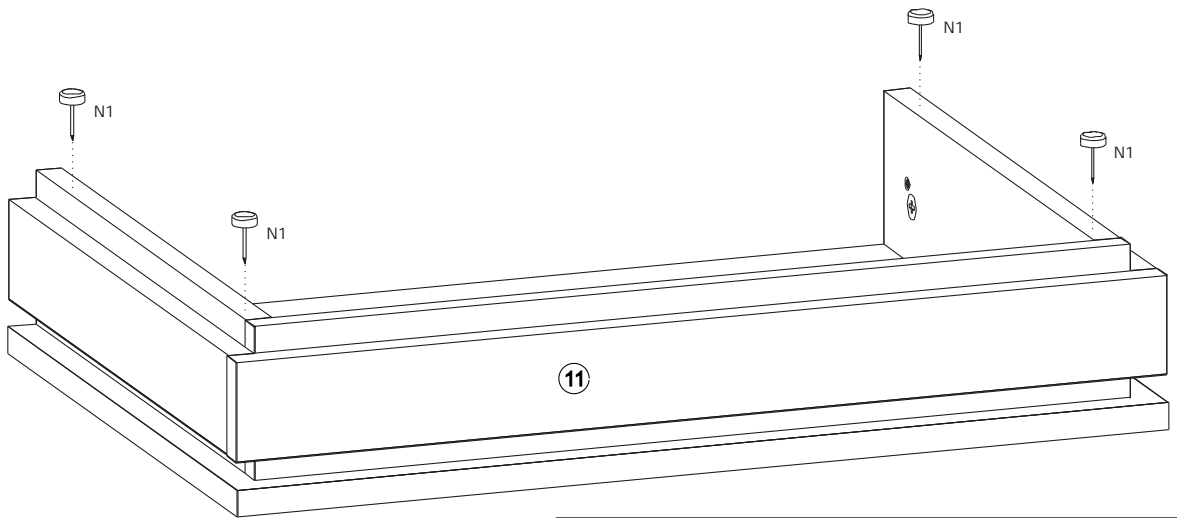
7▶



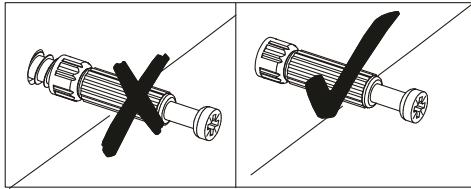
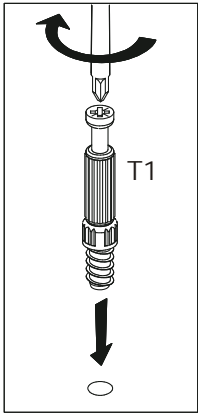
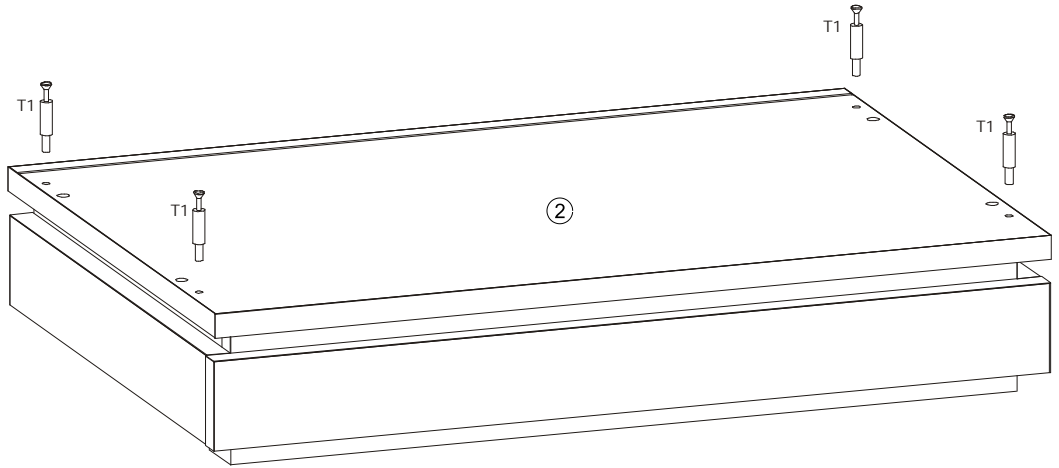
8 ▶



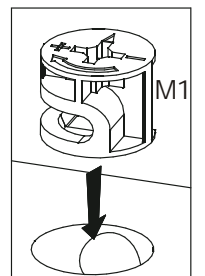
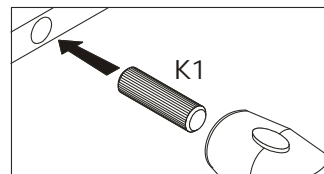
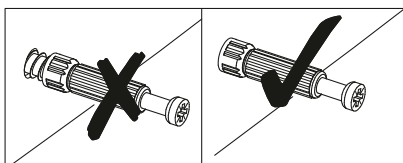
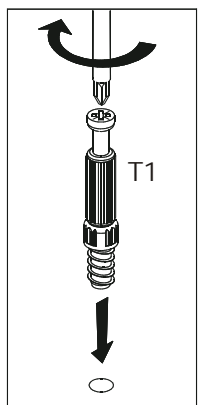
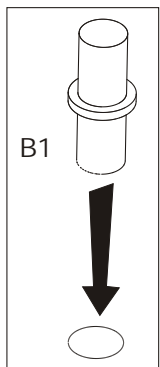
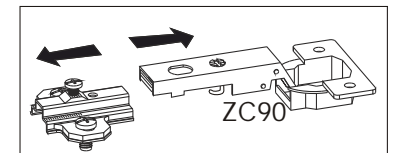
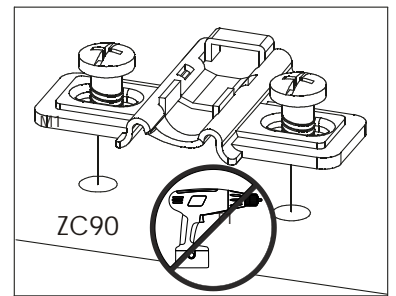
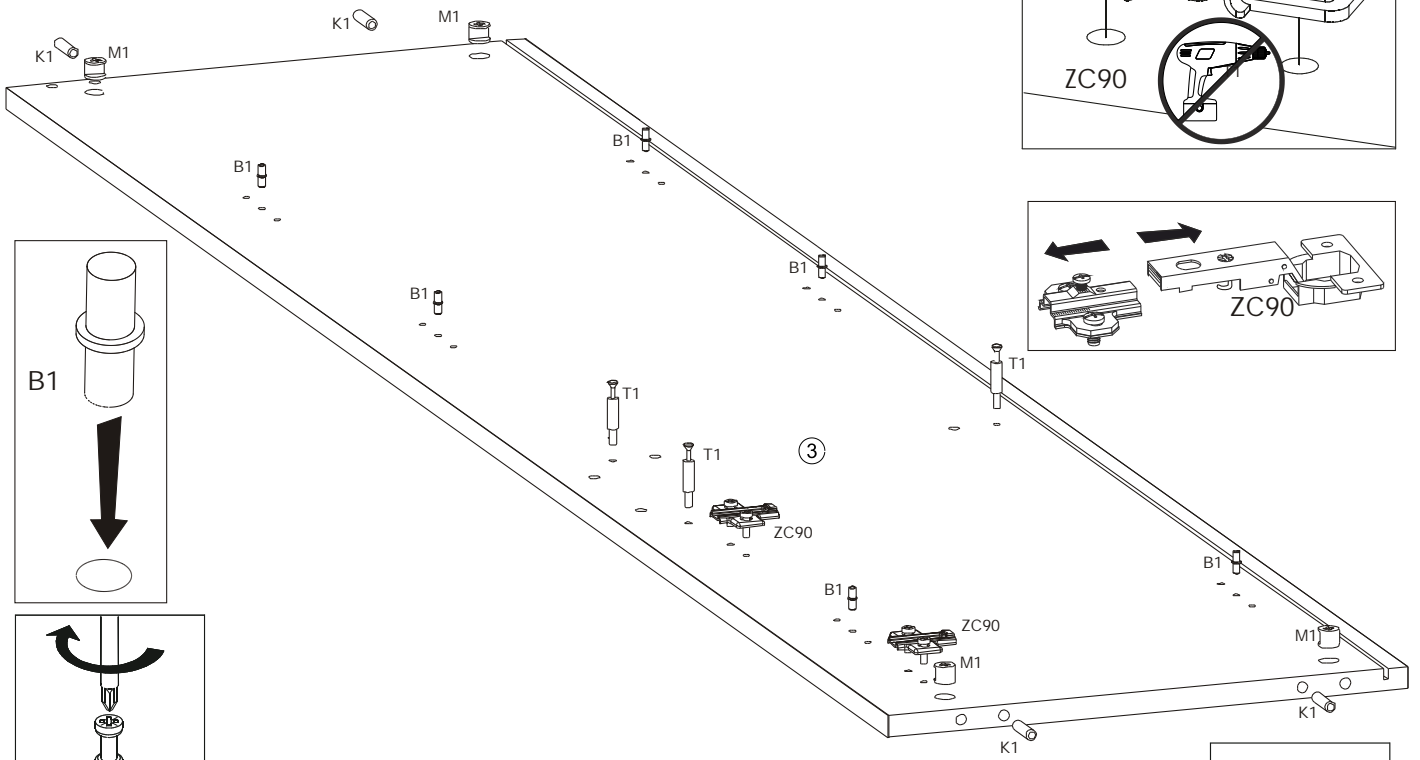
9 ▶



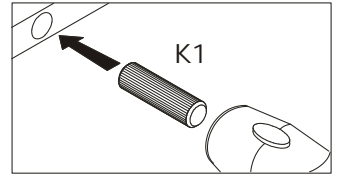
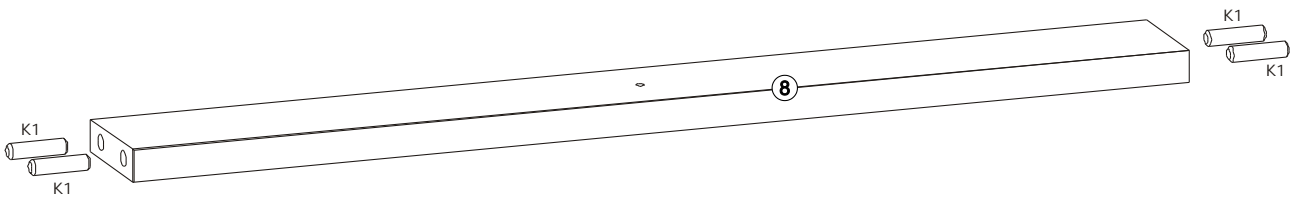
# 10 ▶



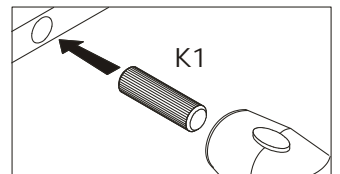
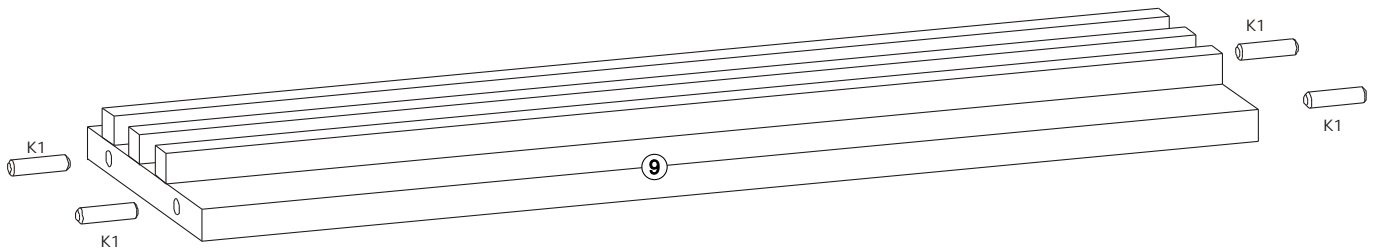
# 11 ▶



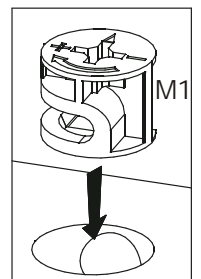
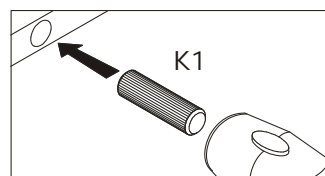
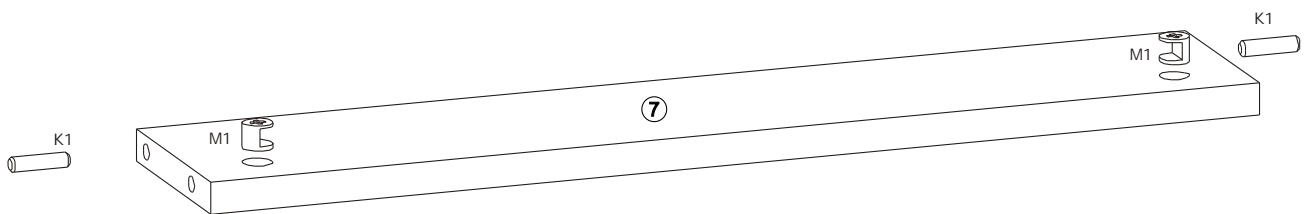
# 12▶



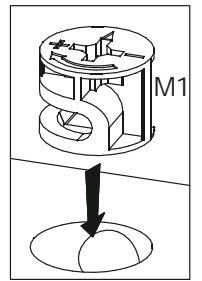
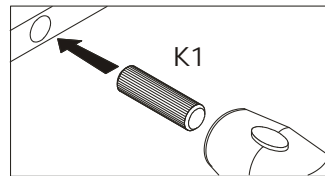
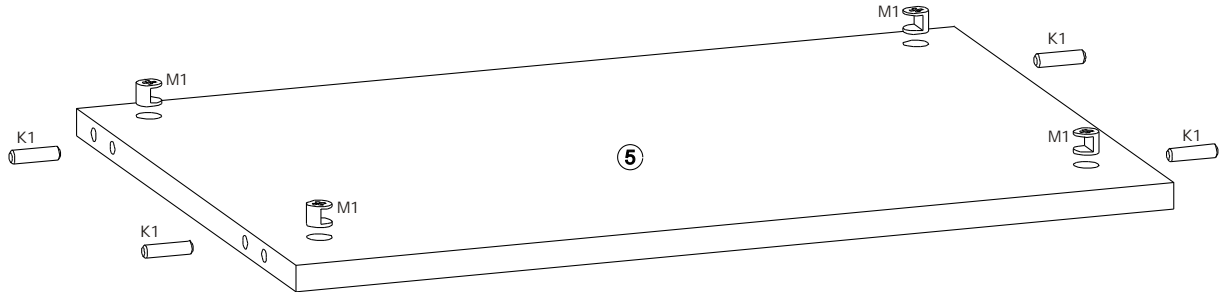
# 13▶



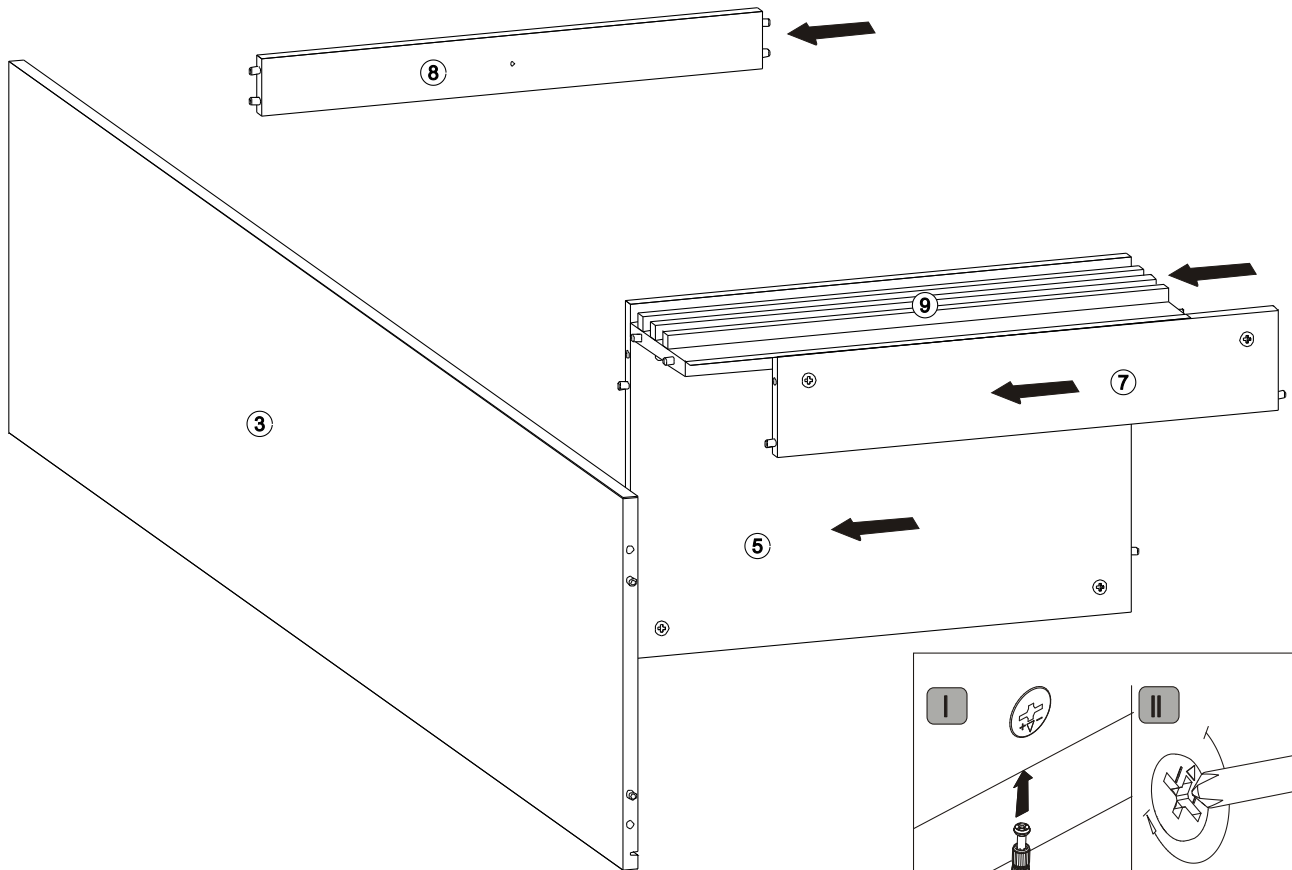
# 14▶



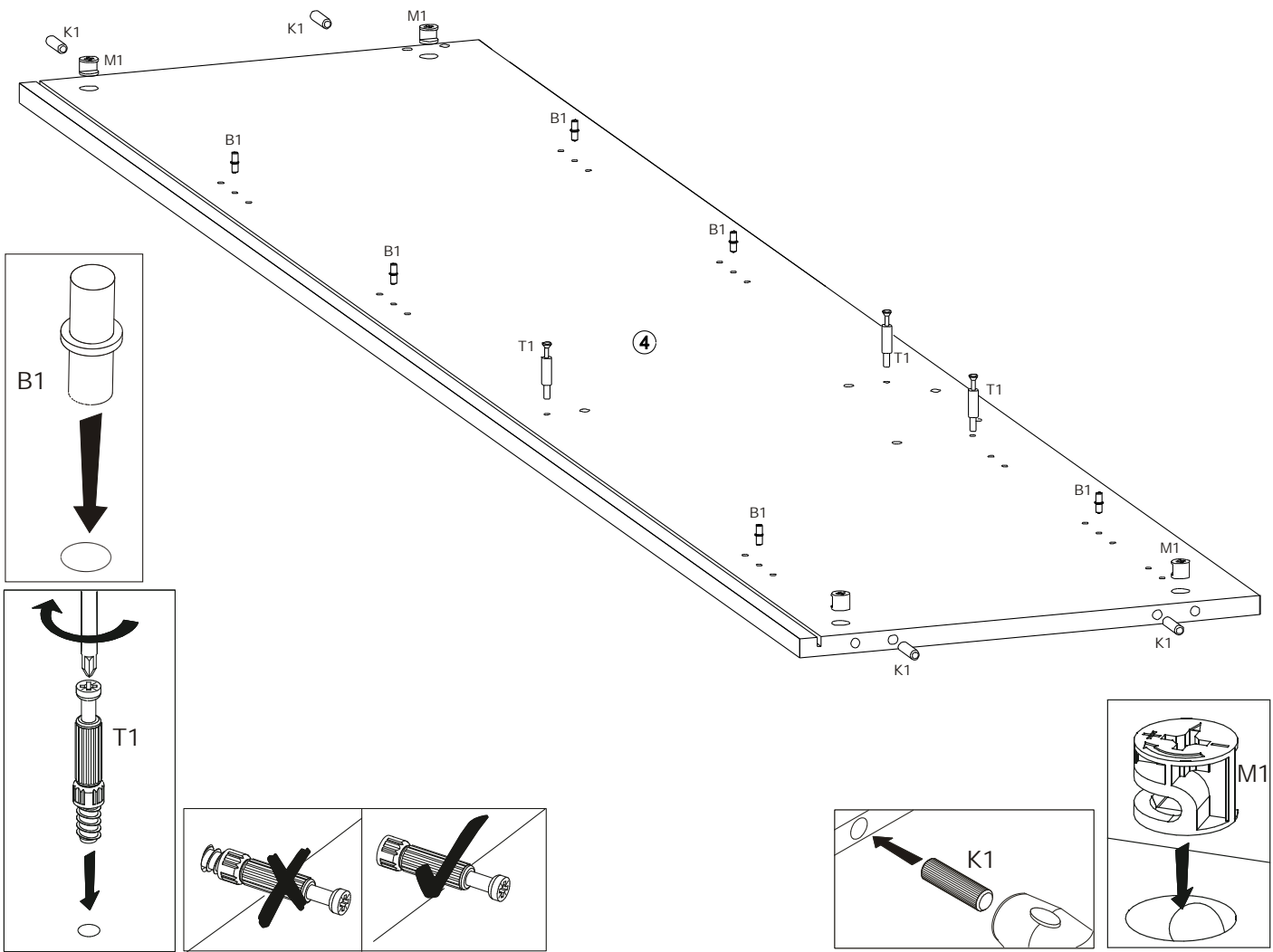
# 15 ▶



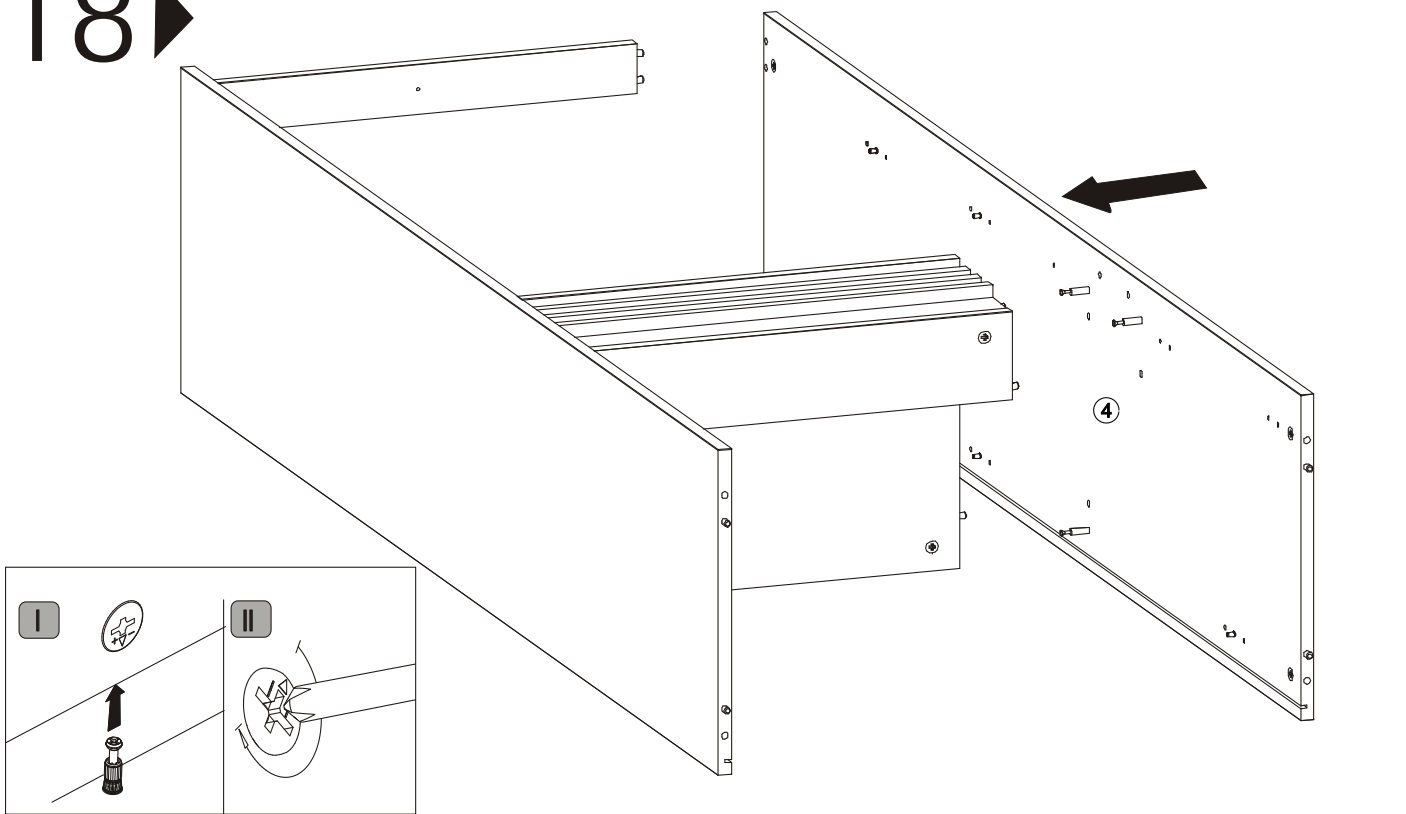
# 16 ▶



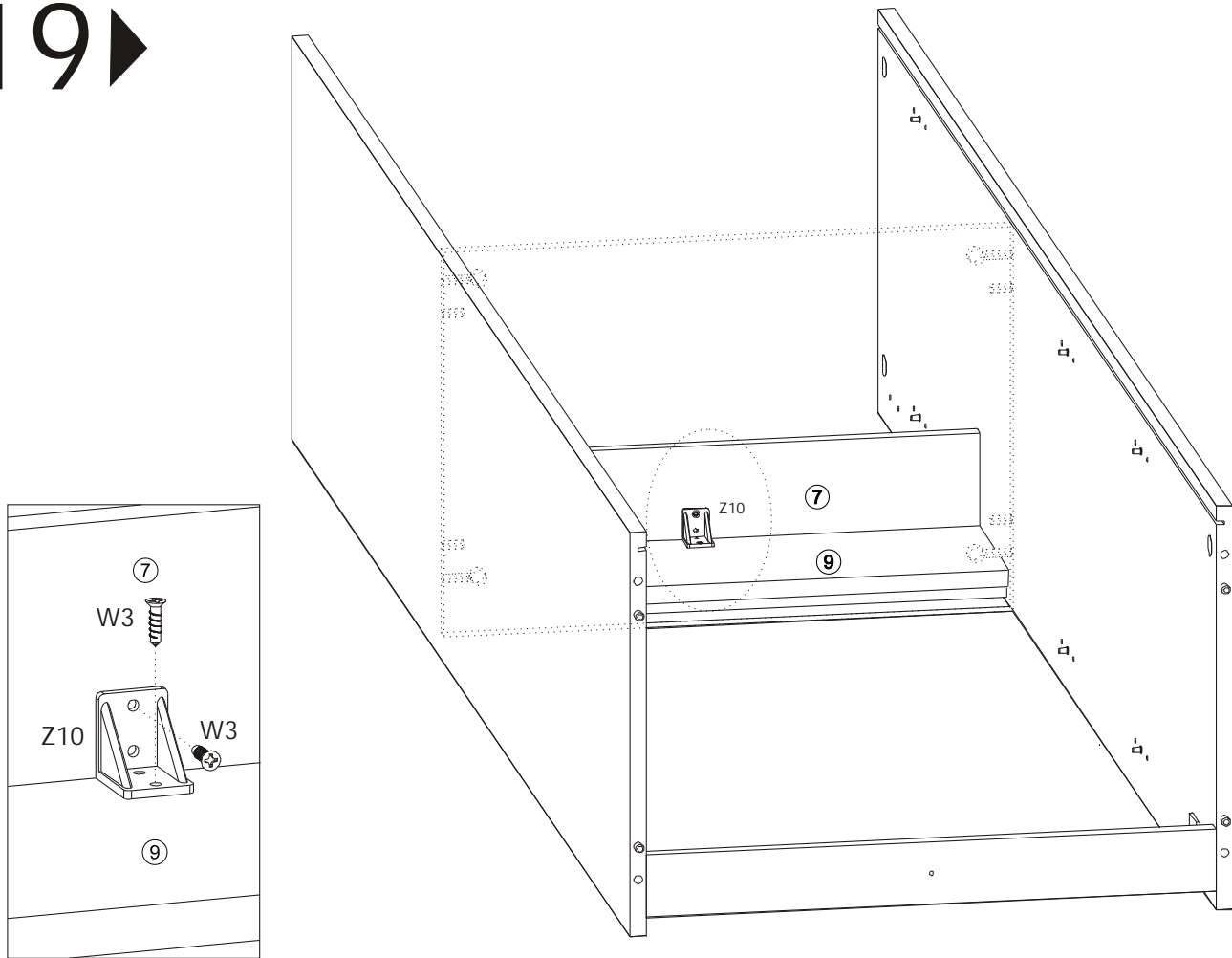
# 17 ▶



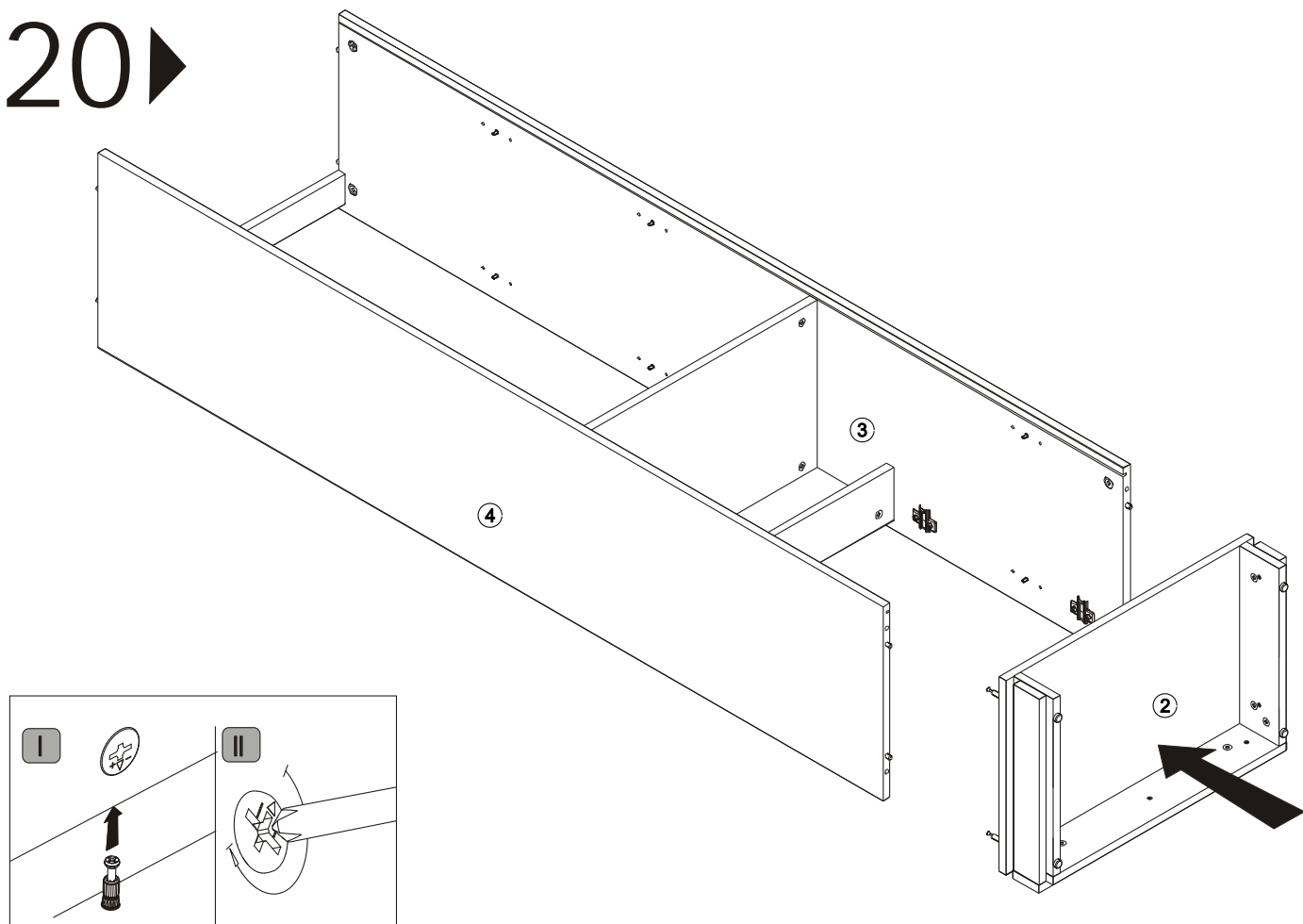
# 18 ▶



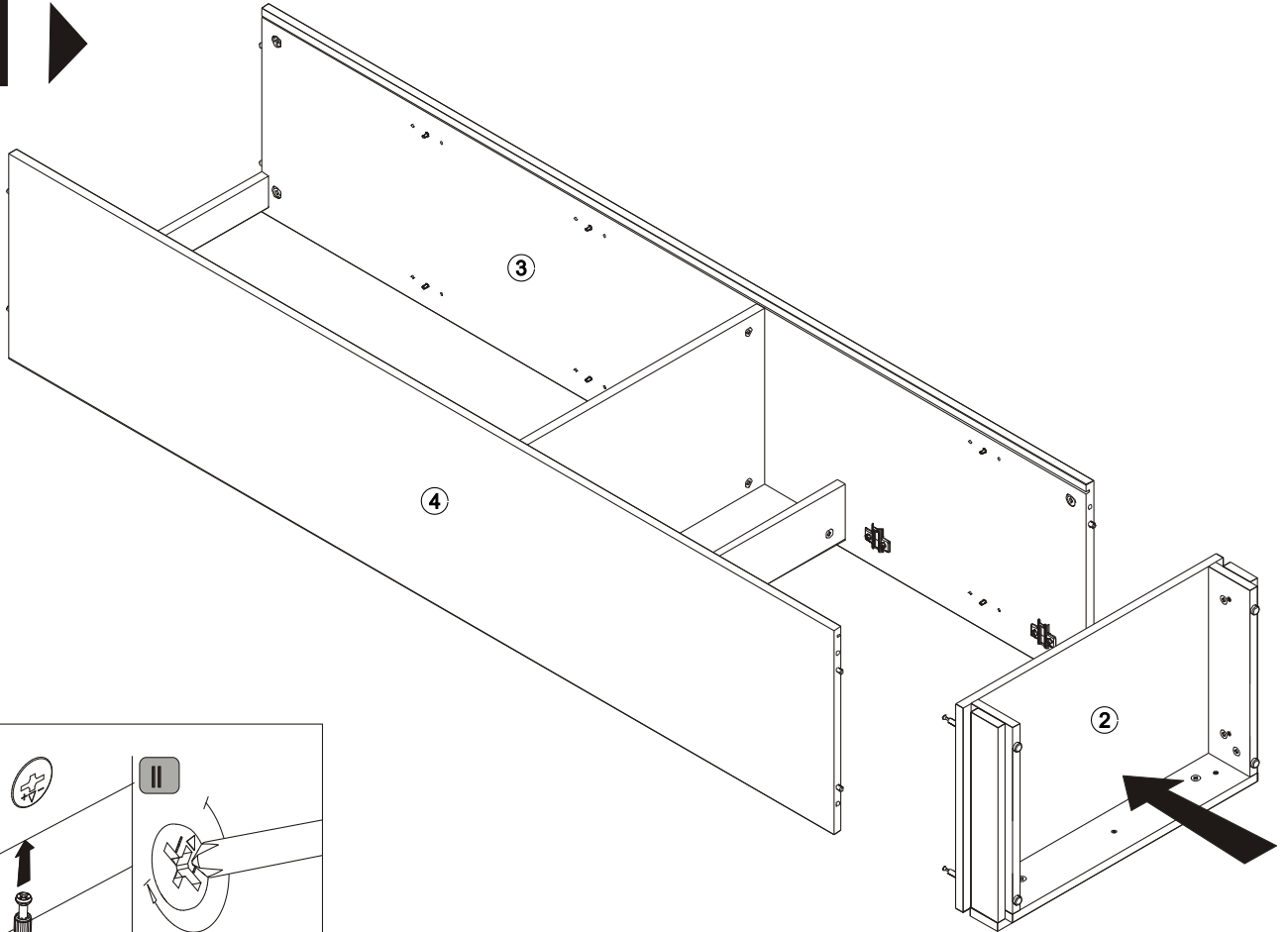
# 19 ▶



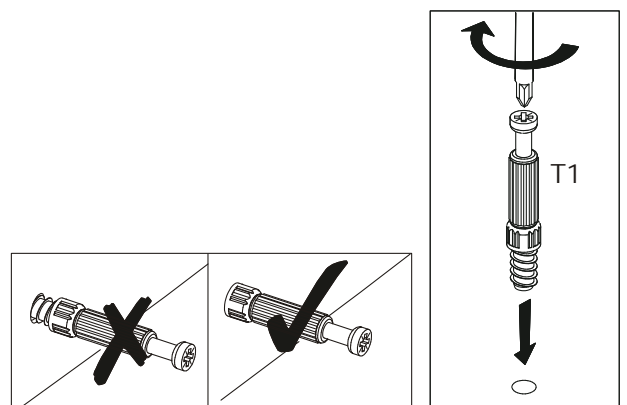
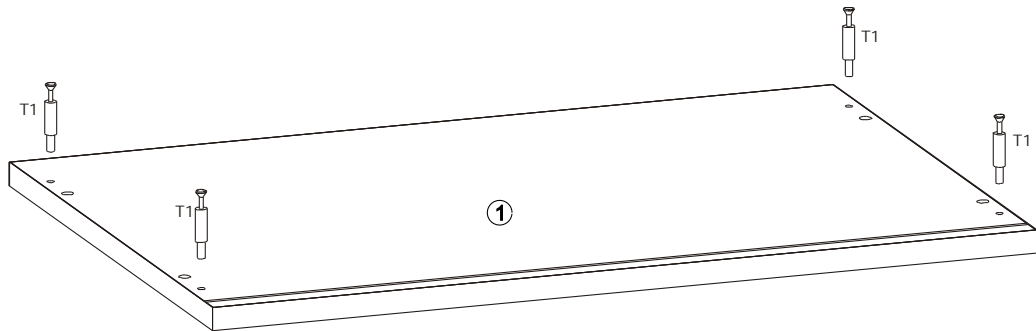
# 20 ▶



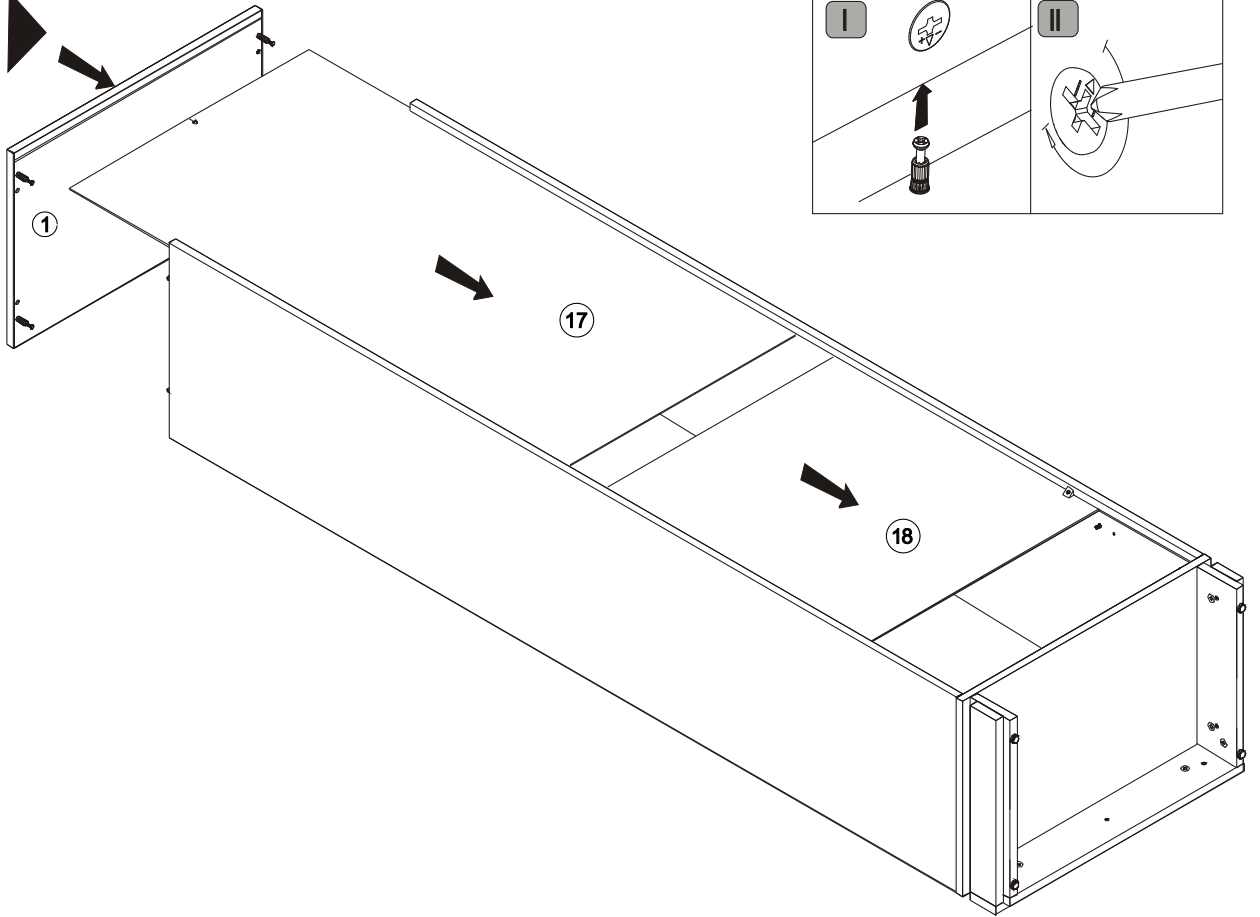
# 21 ▶



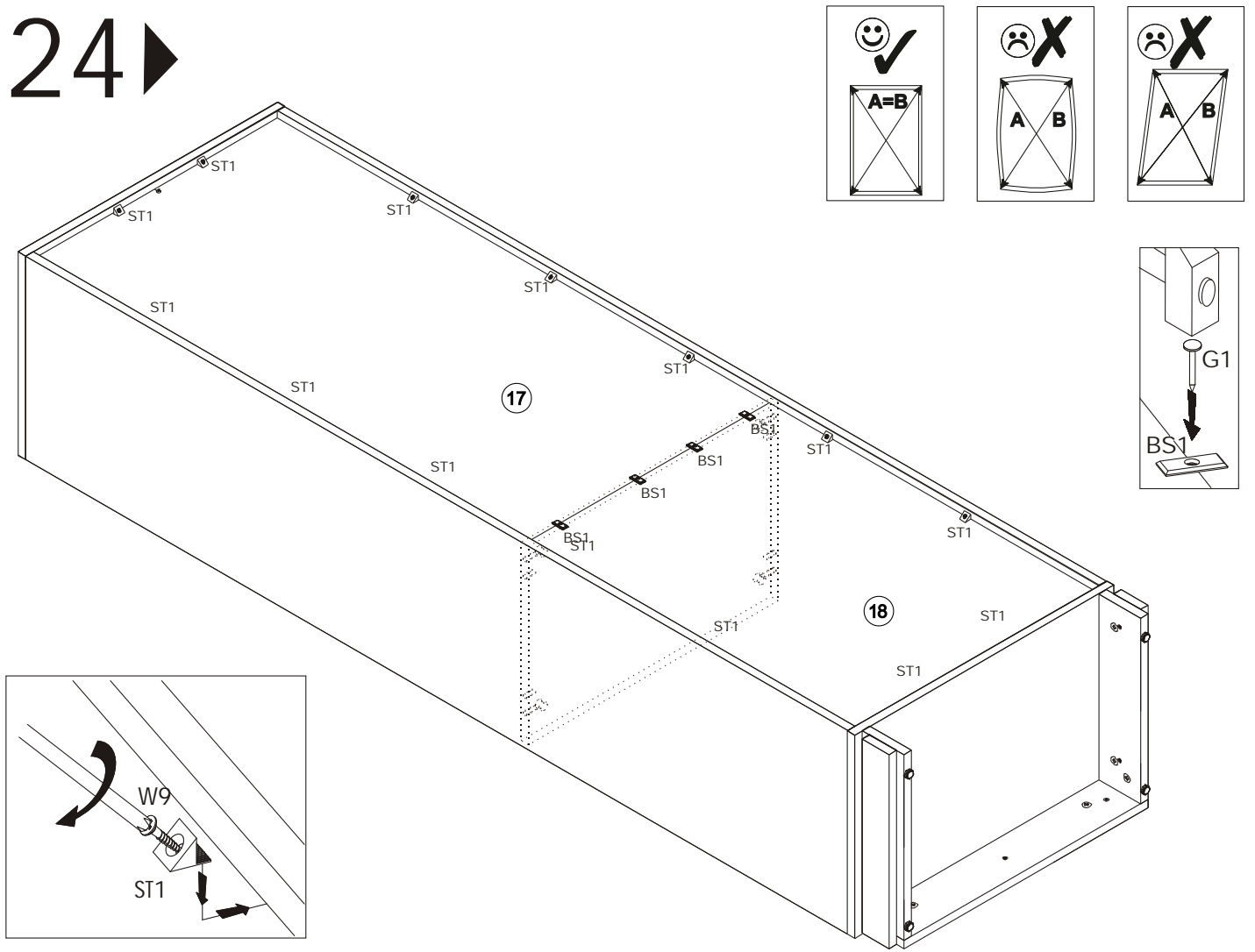
# 22 ▶



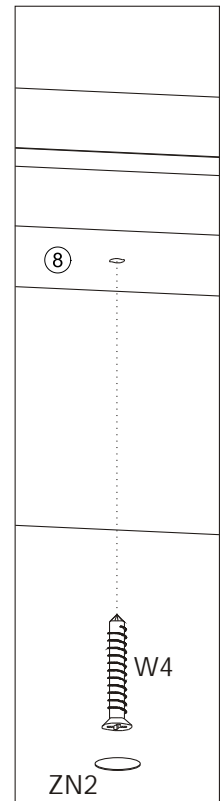
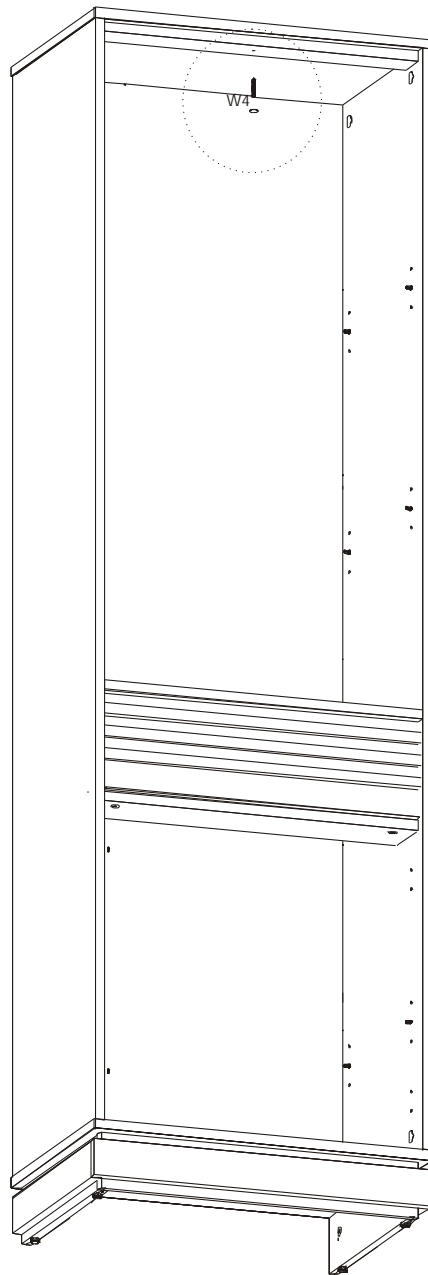
# 23



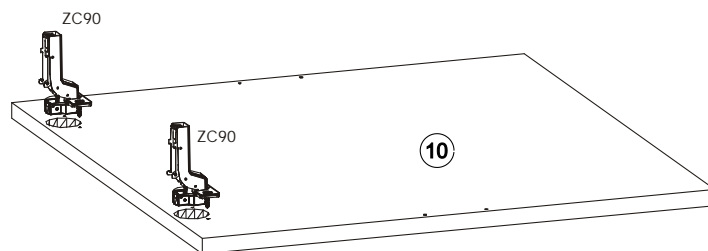
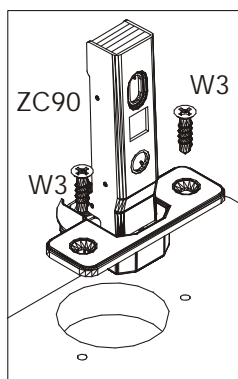
# 24



25 ▶



26 ▶



# 27 ▶

