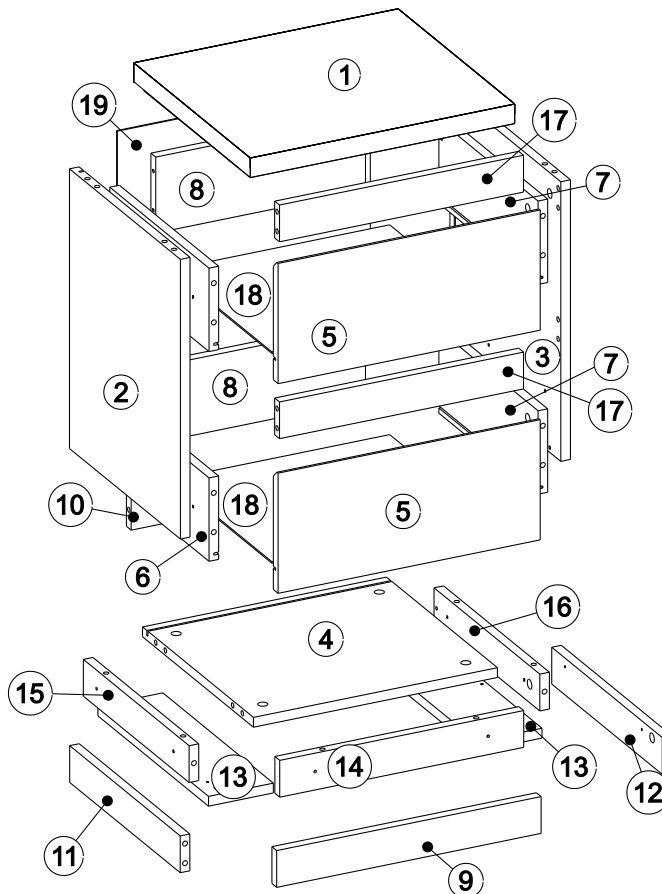
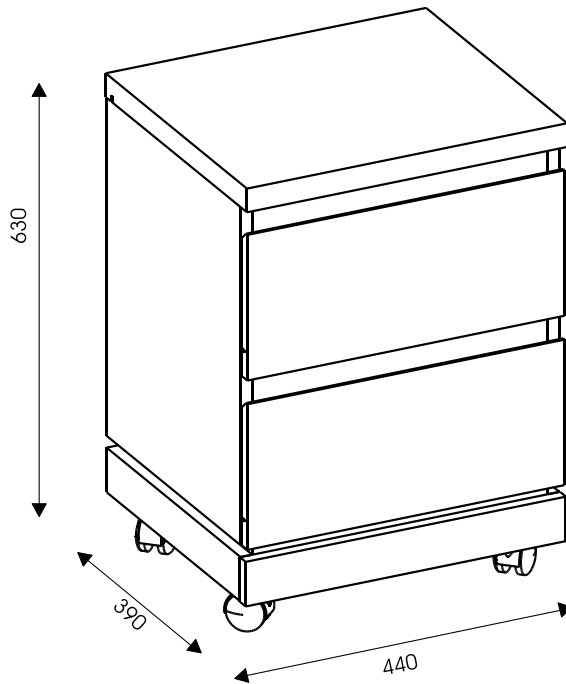
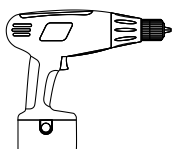
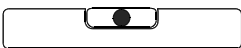
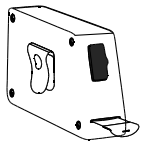
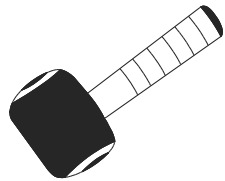
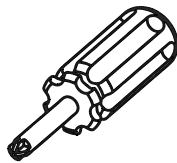
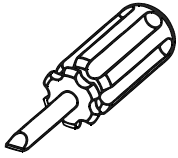
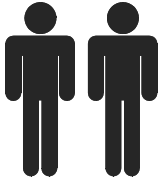
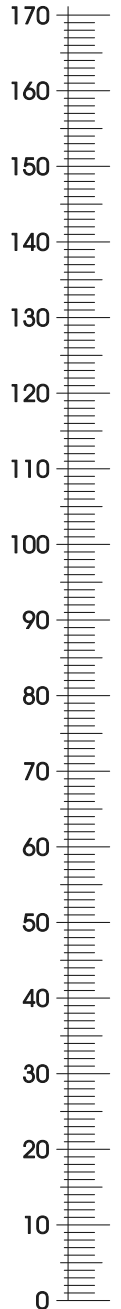


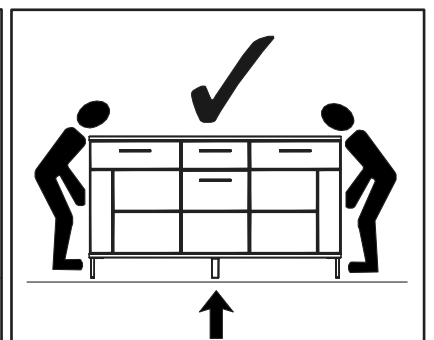
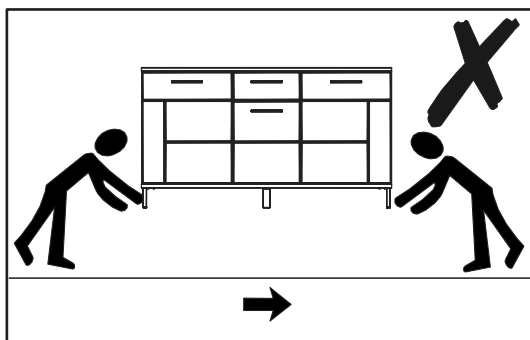
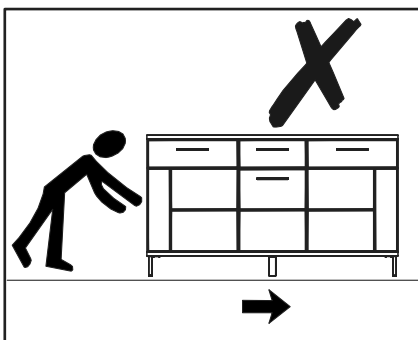
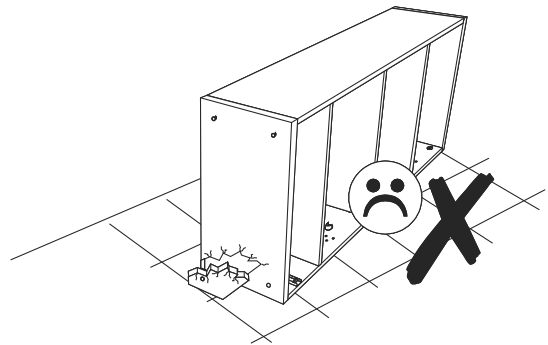
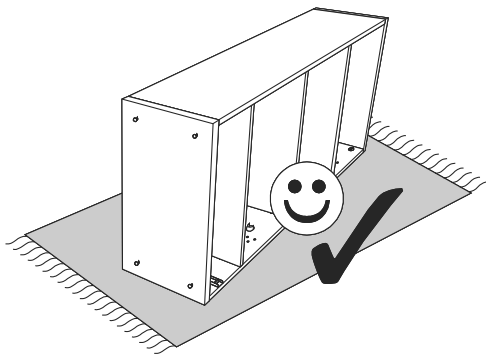
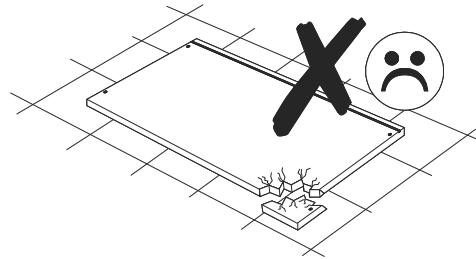
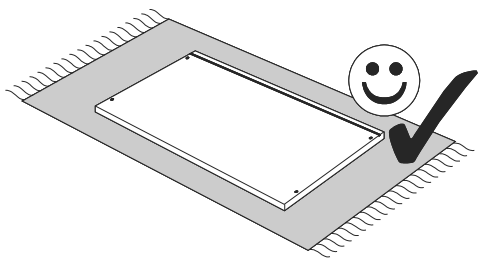
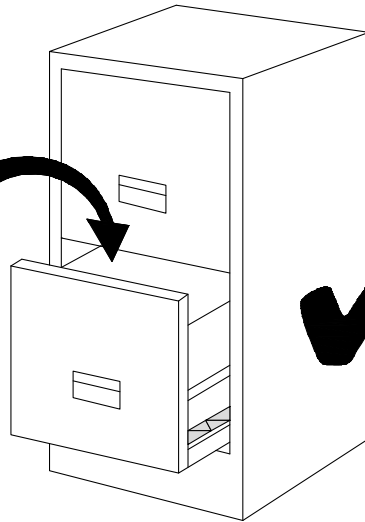
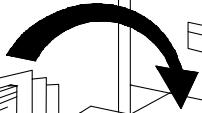
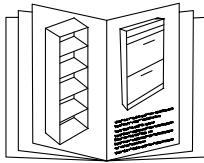
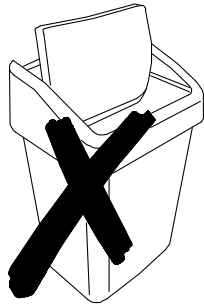
MODEL : AT09

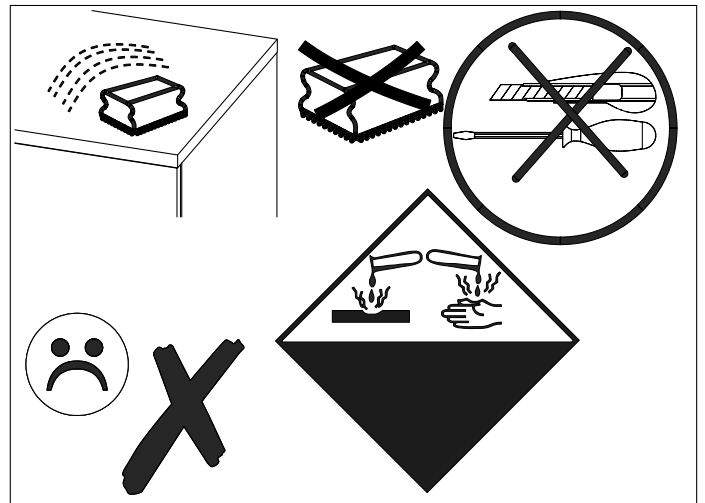
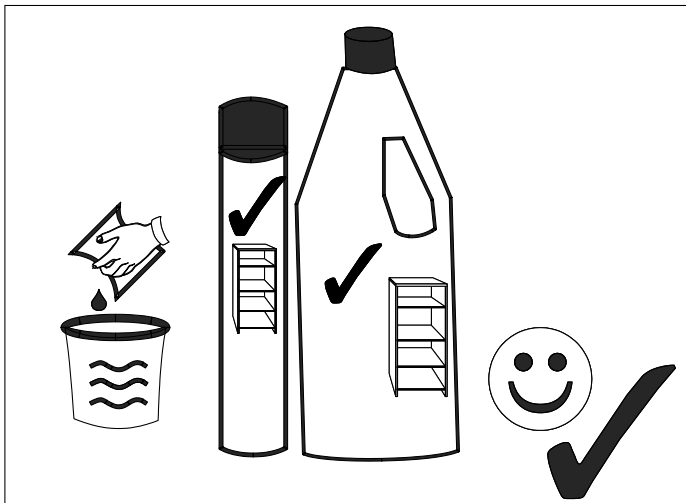
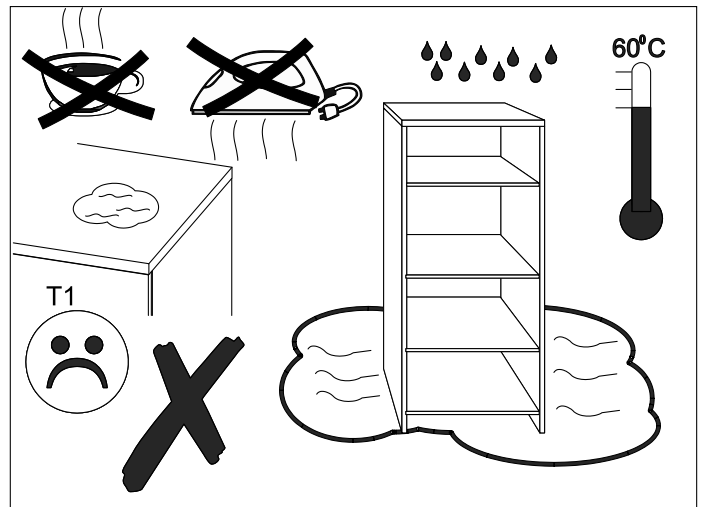
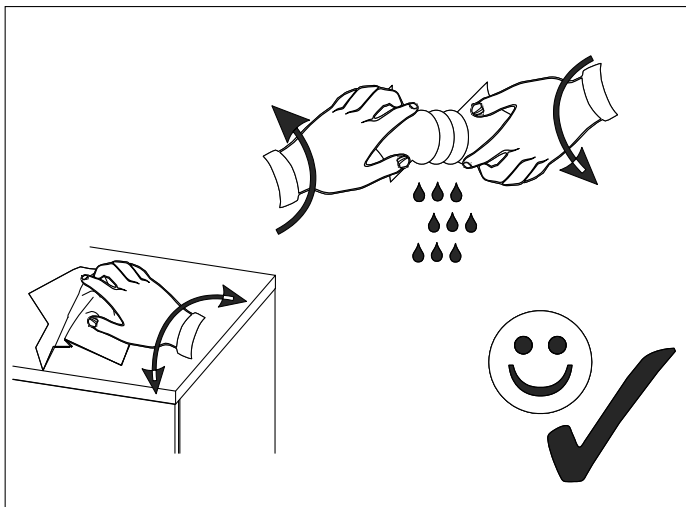
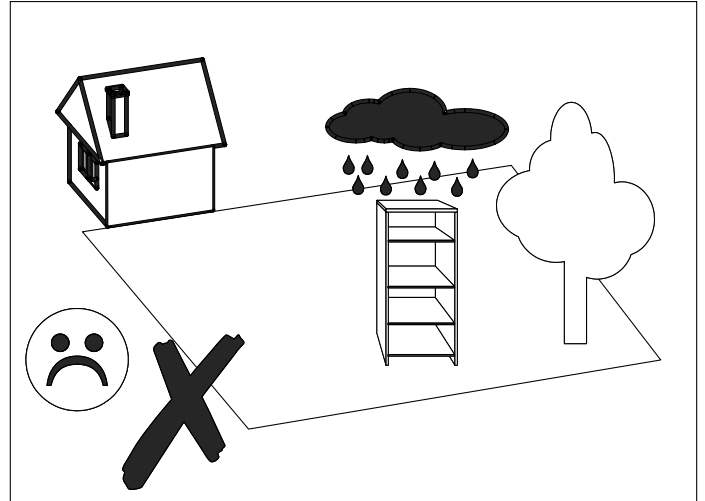
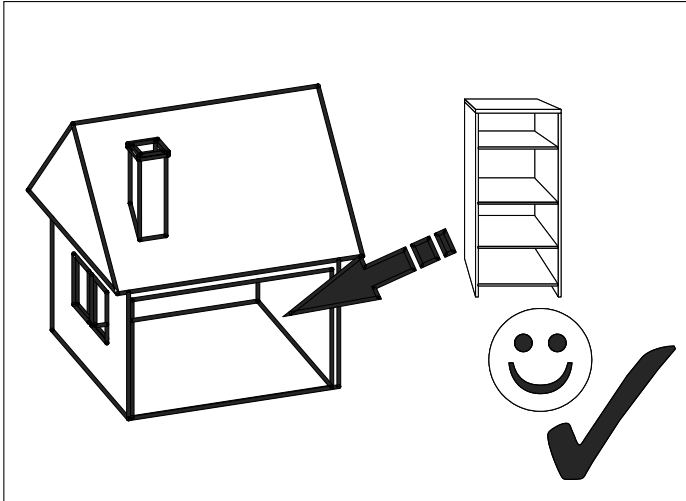


19	454x421	1/2
18	336x364	1/2
17	406x60	1/2
16	352x60	1/2
15	352x60	1/2
14	406x60	1/2
13	368x108	1/2
12	368x60	1/2
11	368x60	1/2
10	373x60	1/2
9	440x60	1/2
8	349x124	1/2
7	330x136	1/2
6	330x136	1/2
5	436x196	2/2
4	406x369	1/2
3	456x369	1/2
2	456x369	1/2
1	440x388	1/2

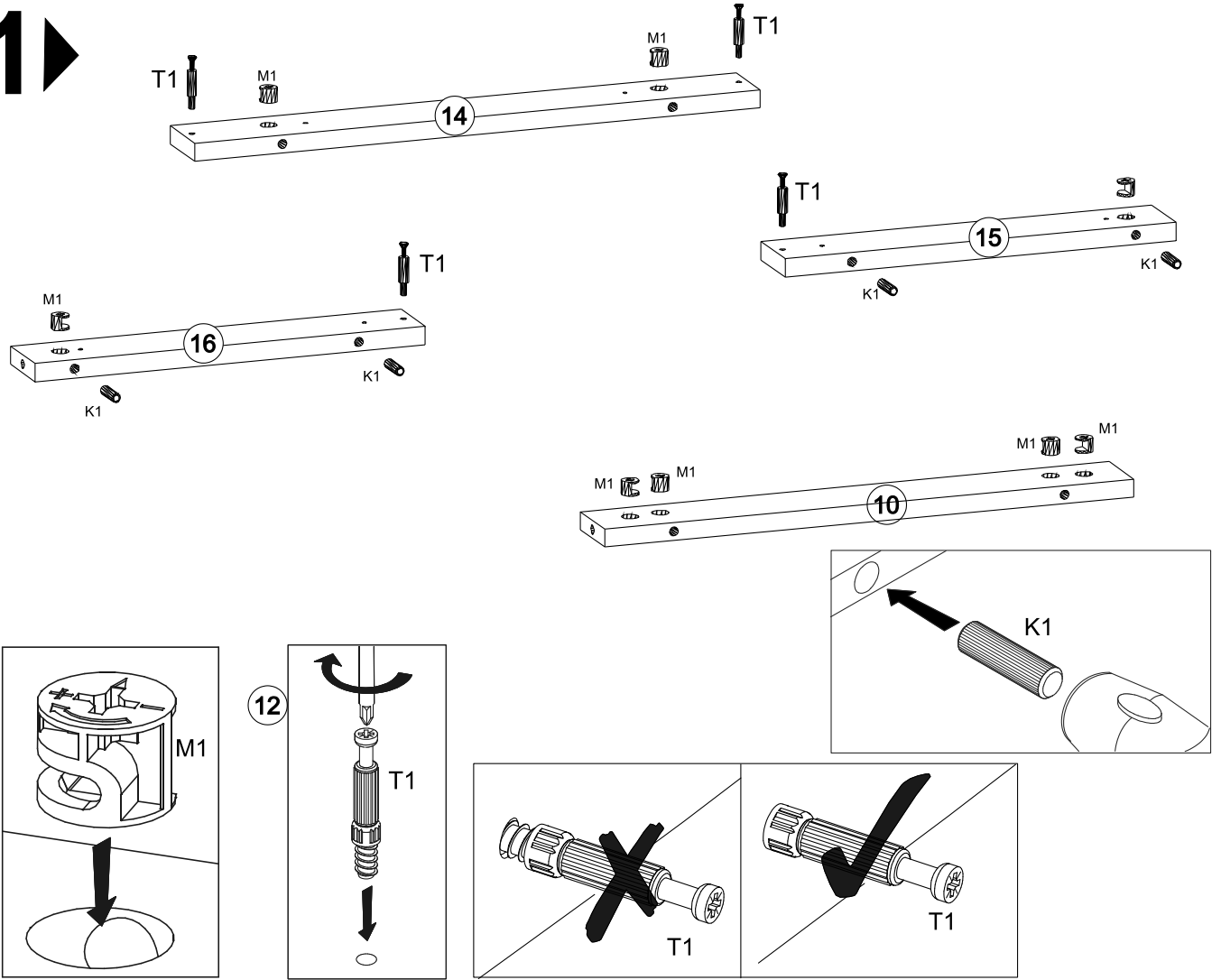


			2 kpl. #300 PK3	16x 3.5x16 W3	6x 3x20 W9	2x N1	12x 4x30 W4	2x N2	
8x 6.4x50 K5	22x 8x30 K1	8x #20/981 ZN1	1x K20	26x #15/15 M1	26x DU232T T1	6x ST1	8x 2x20 G1	16x 5x11 E1	

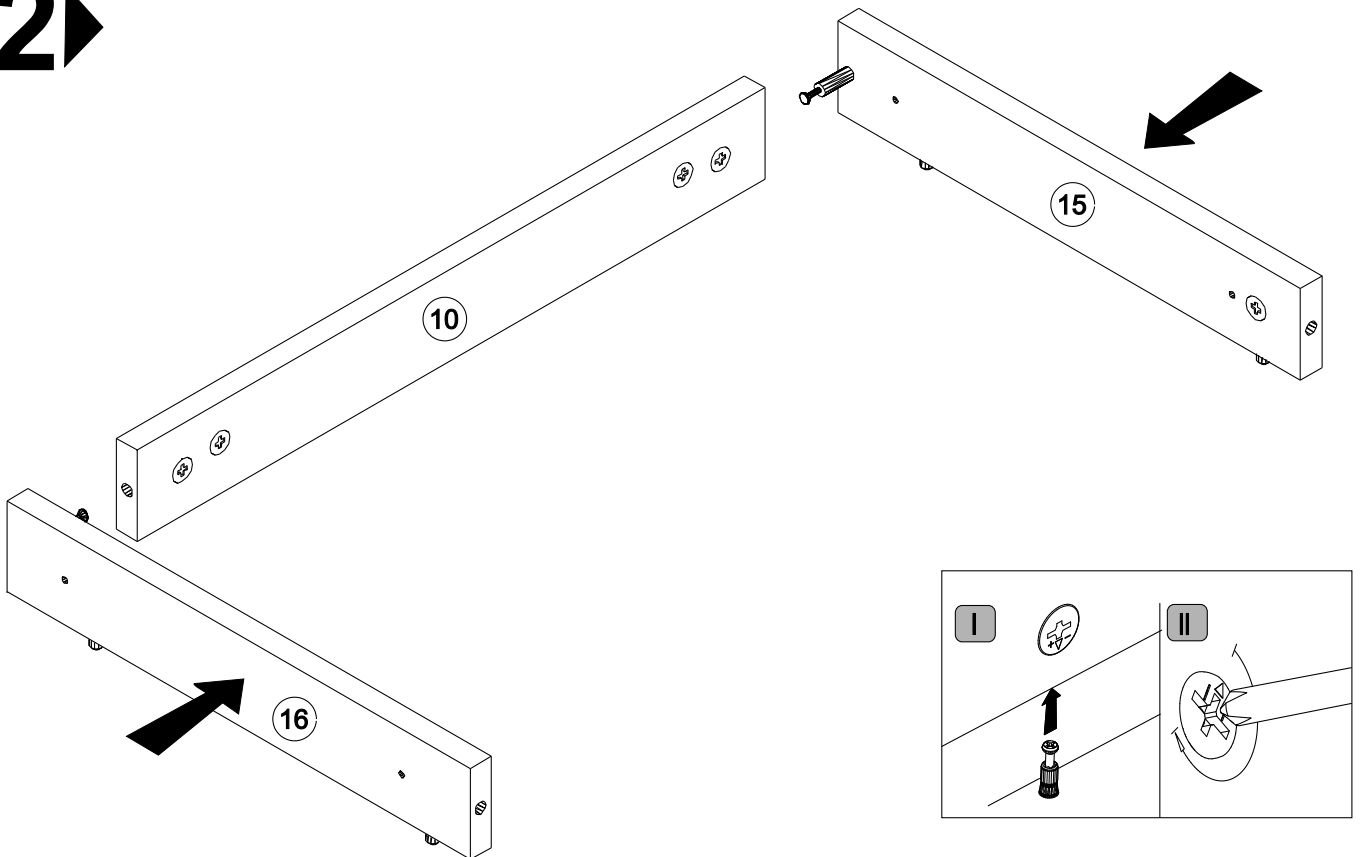




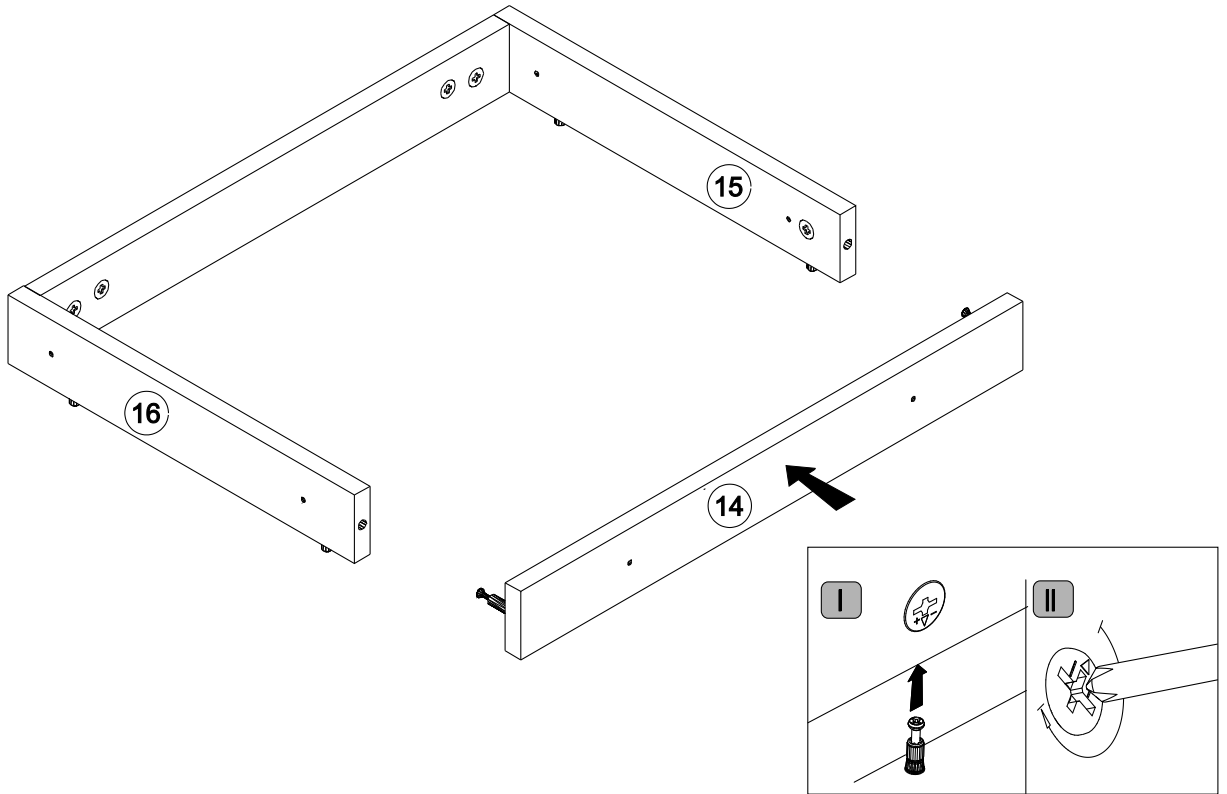
1



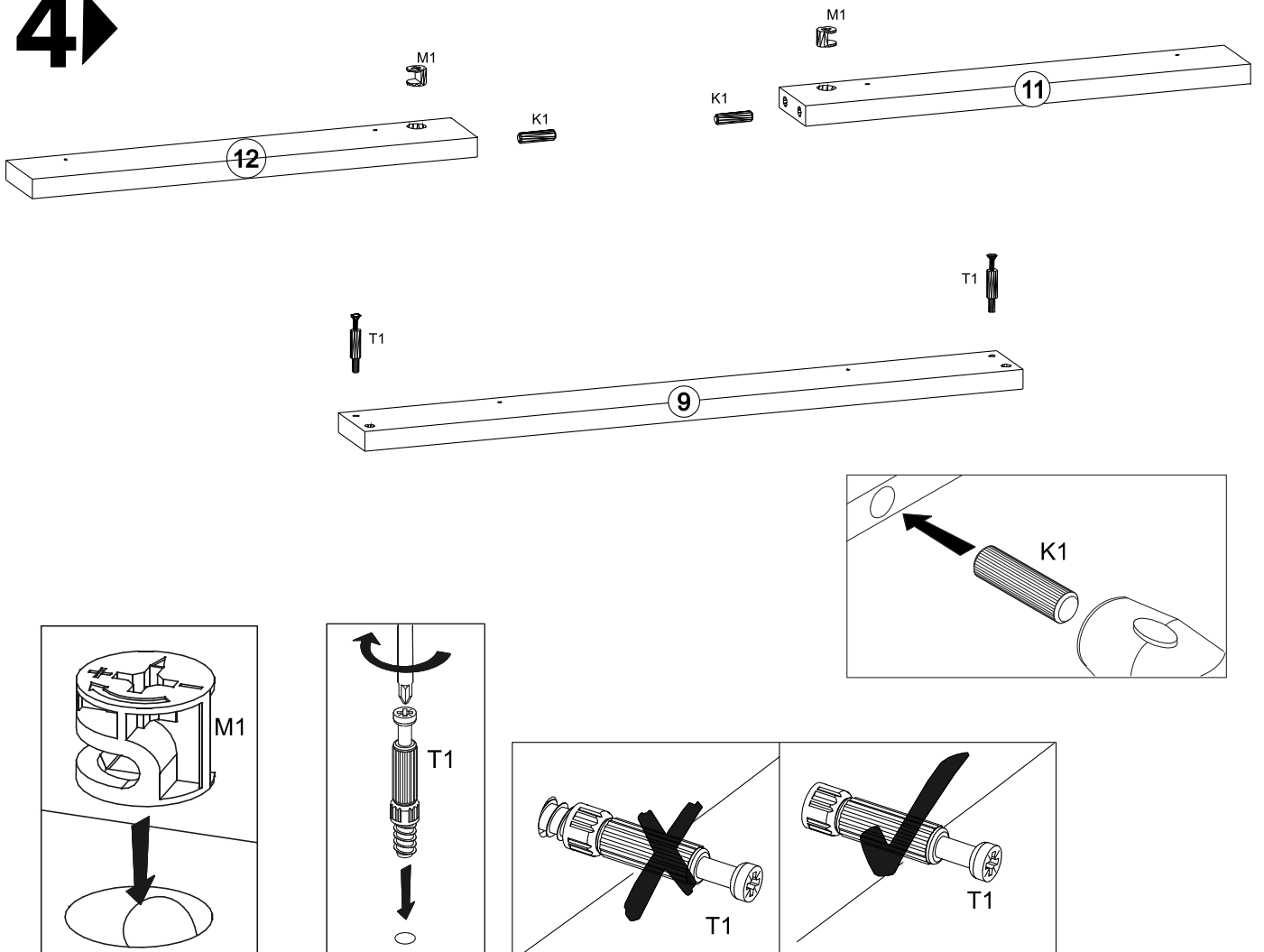
2



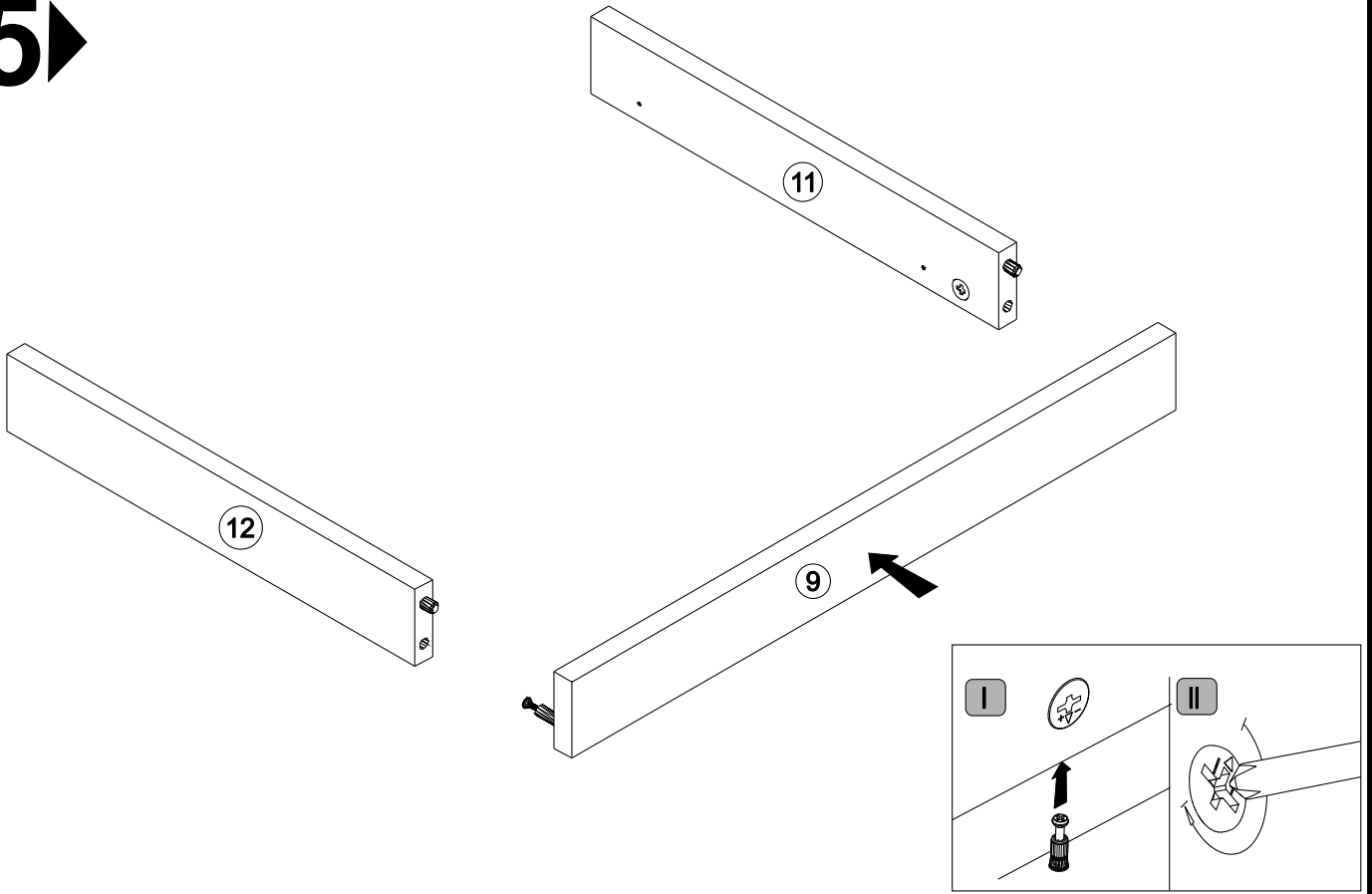
3 ▶



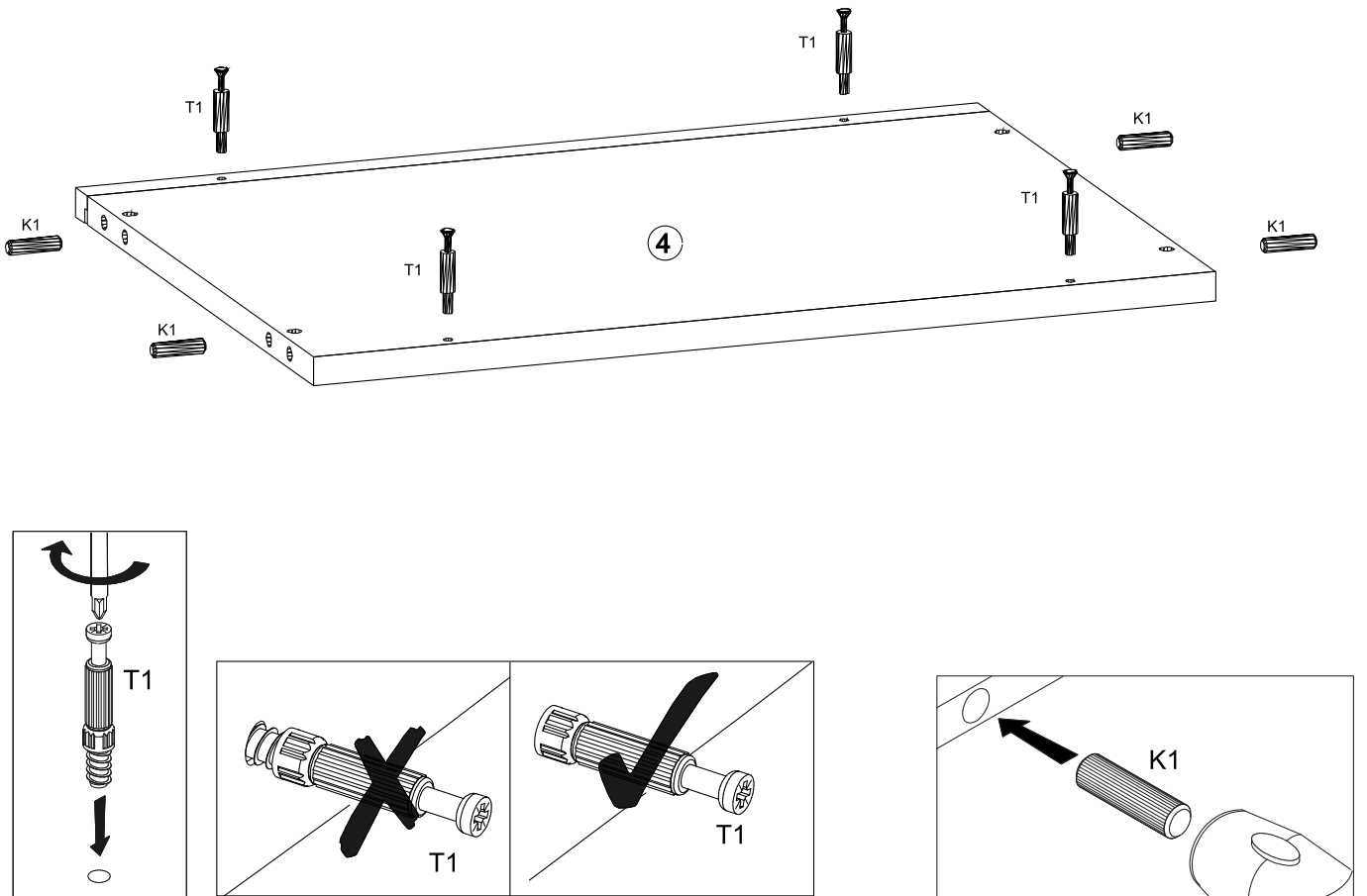
4 ▶



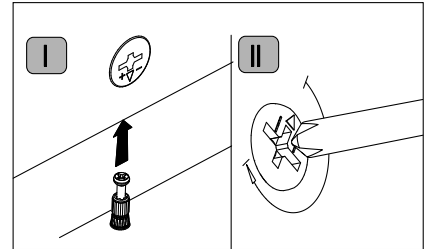
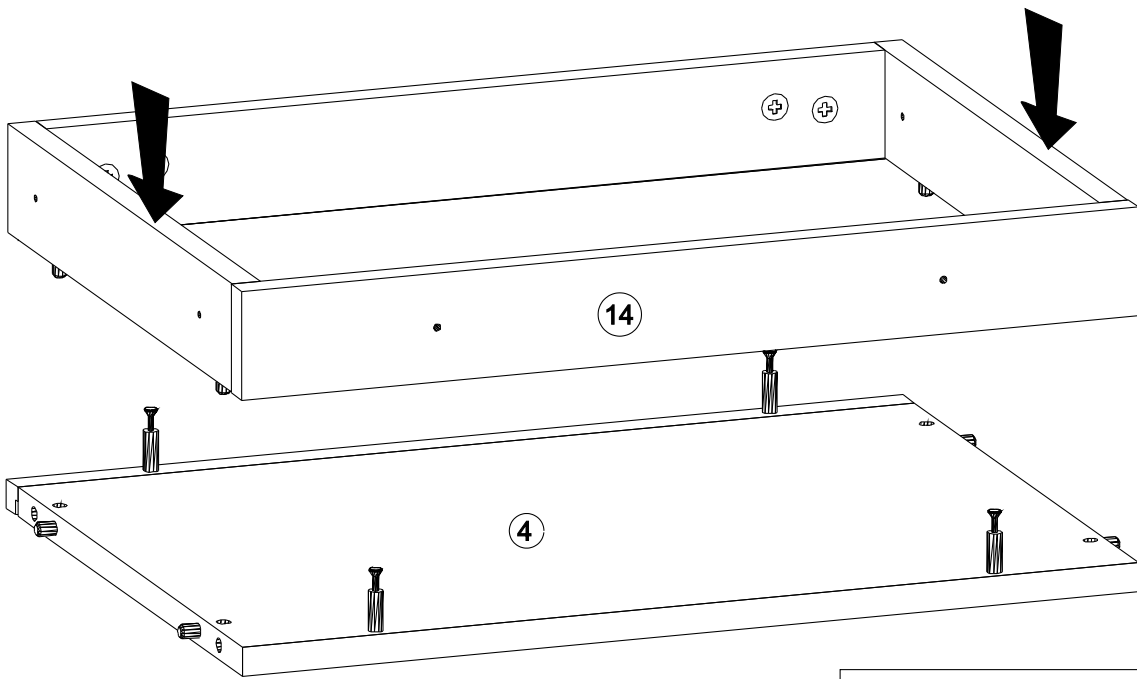
5



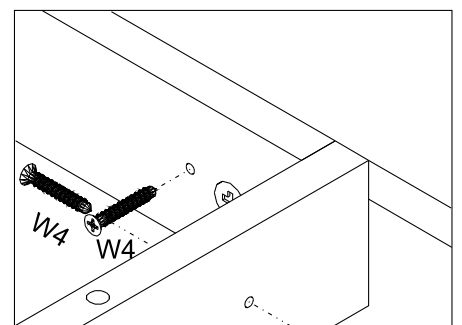
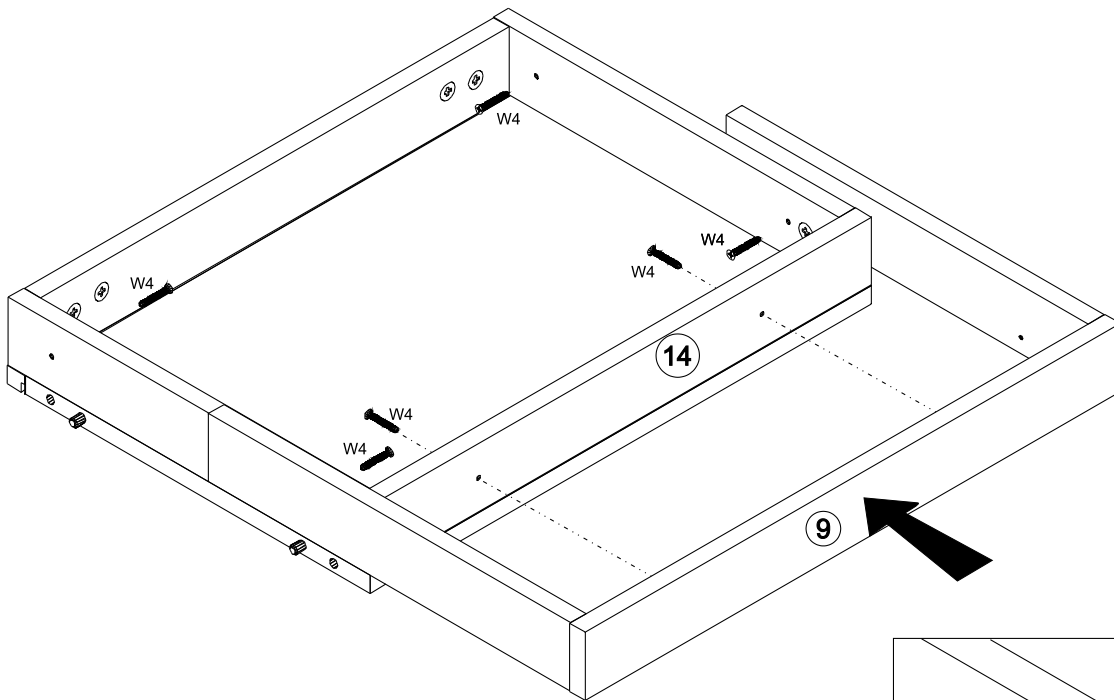
6



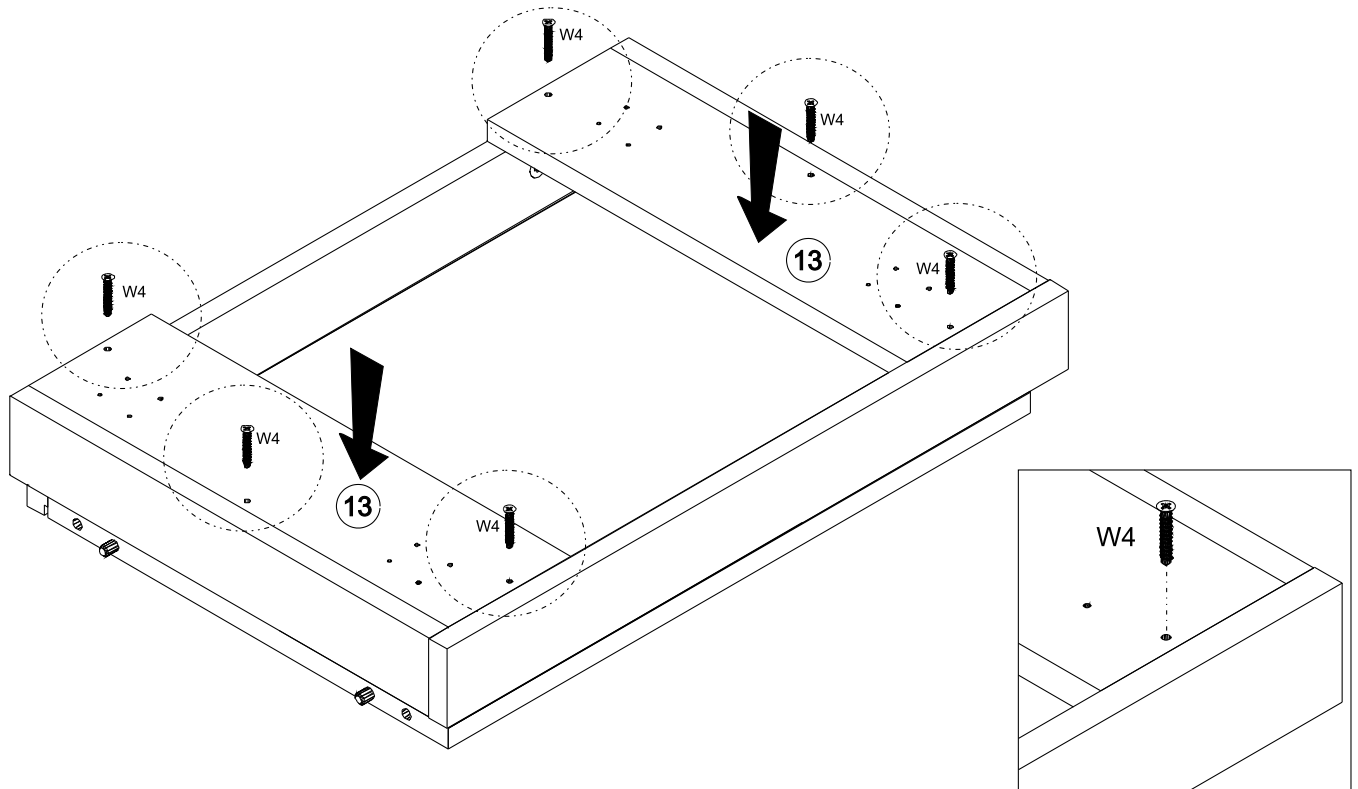
7



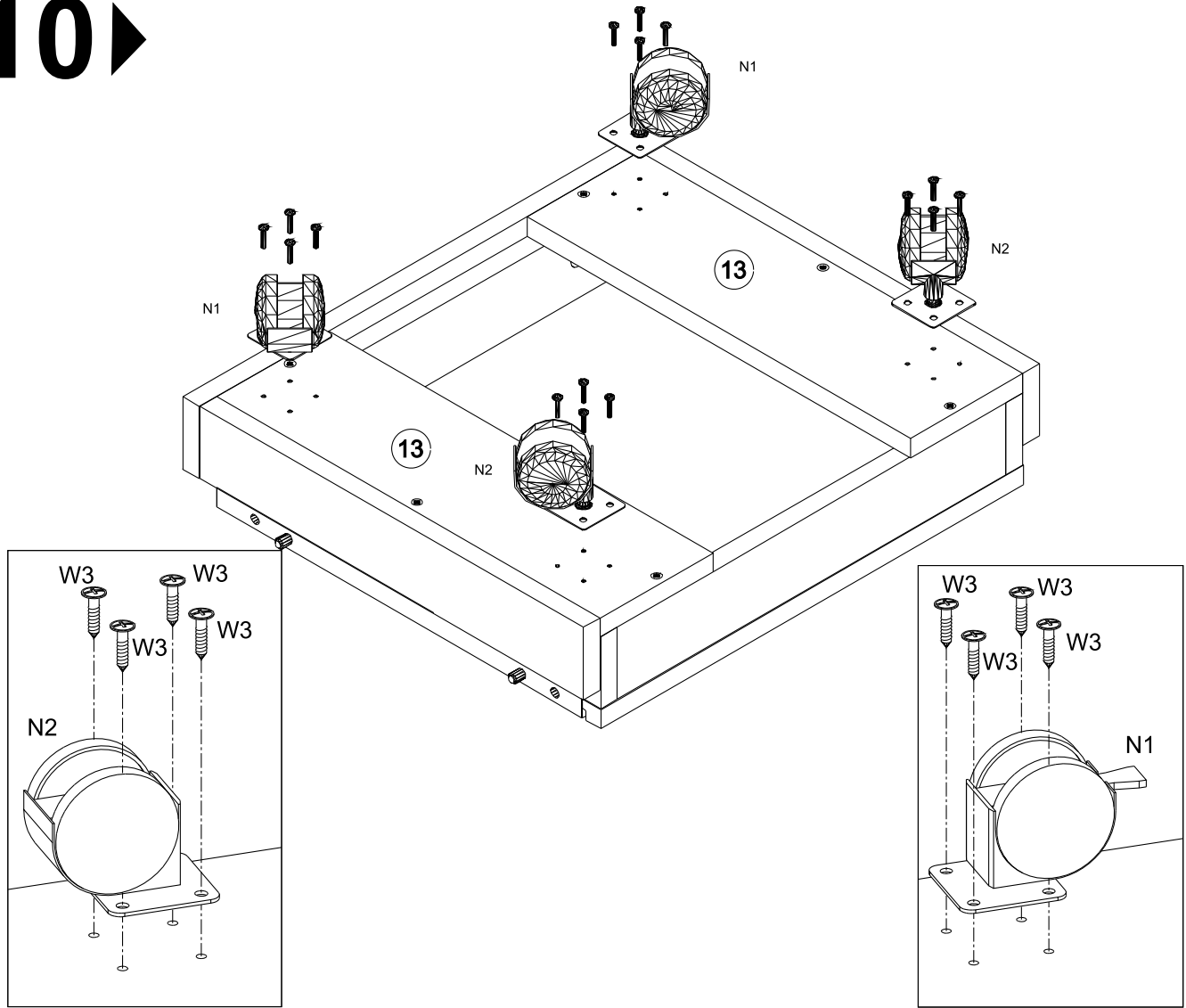
8



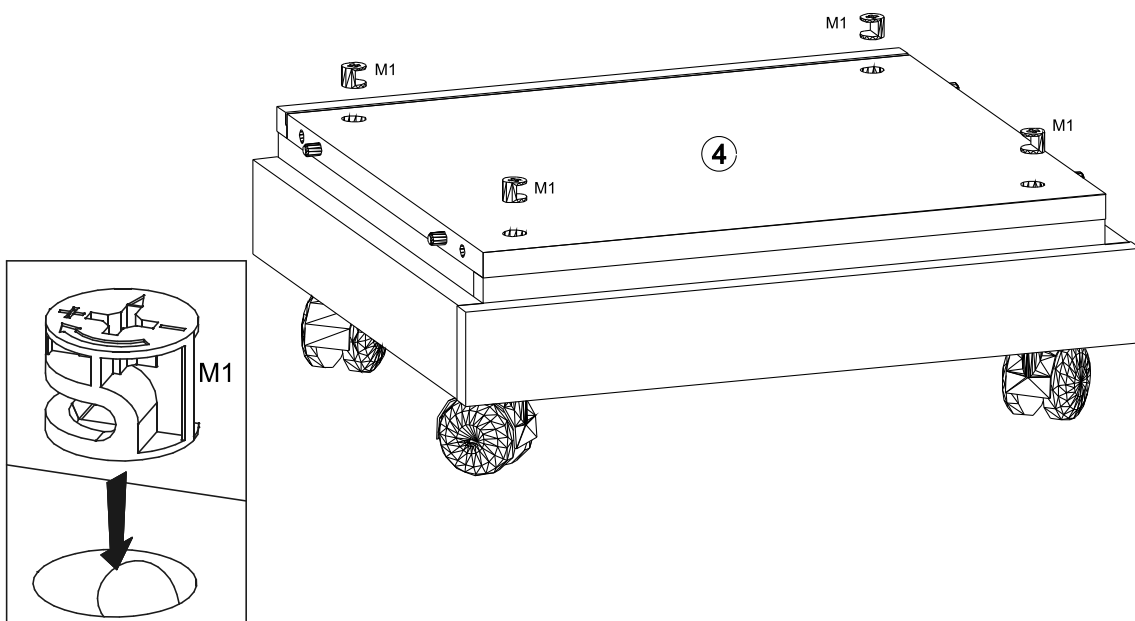
9▶



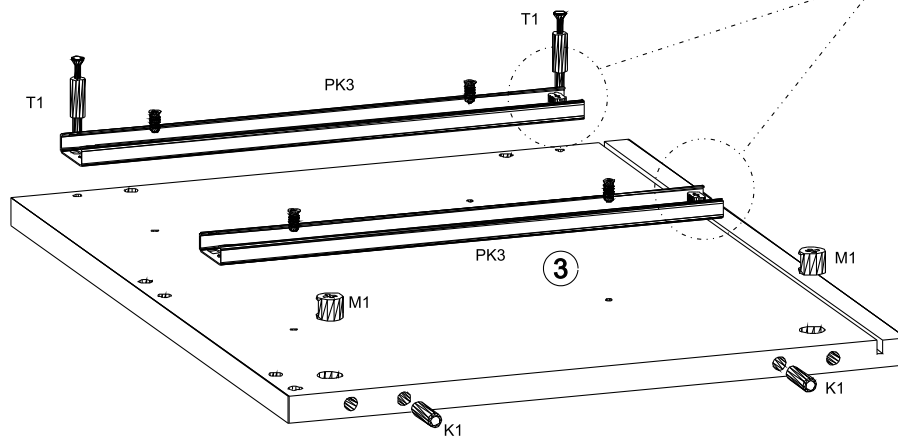
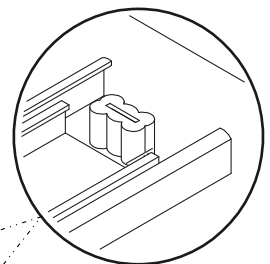
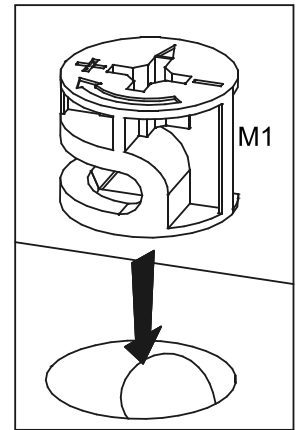
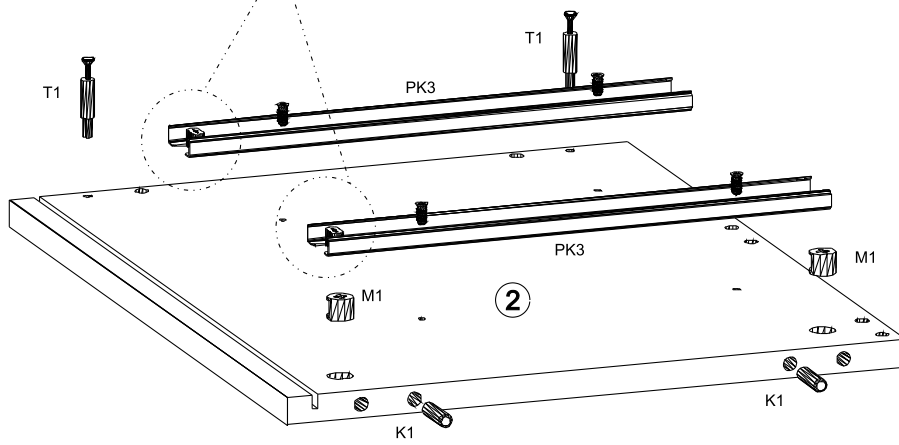
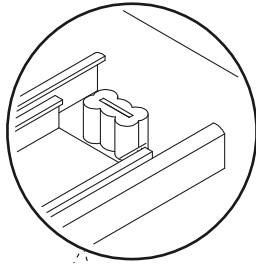
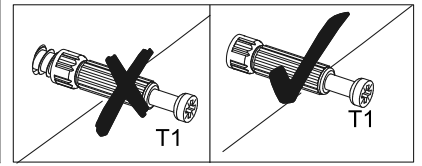
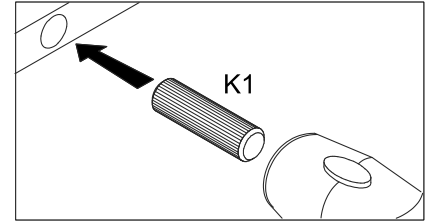
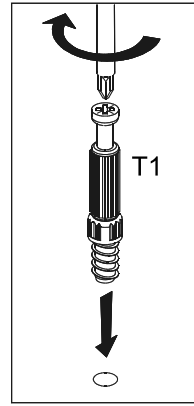
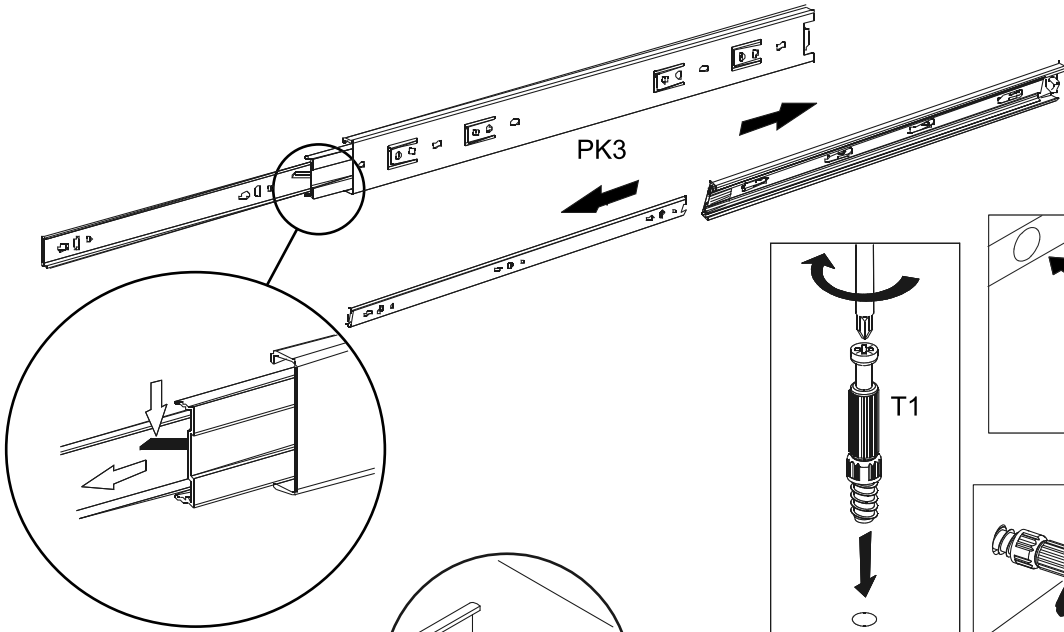
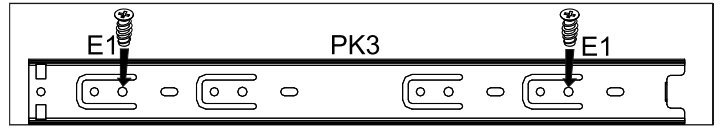
10 ▶



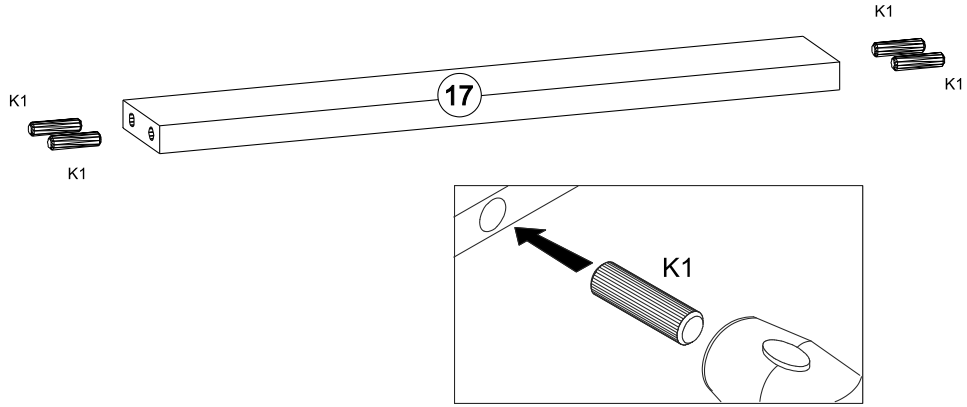
11 ▶



12

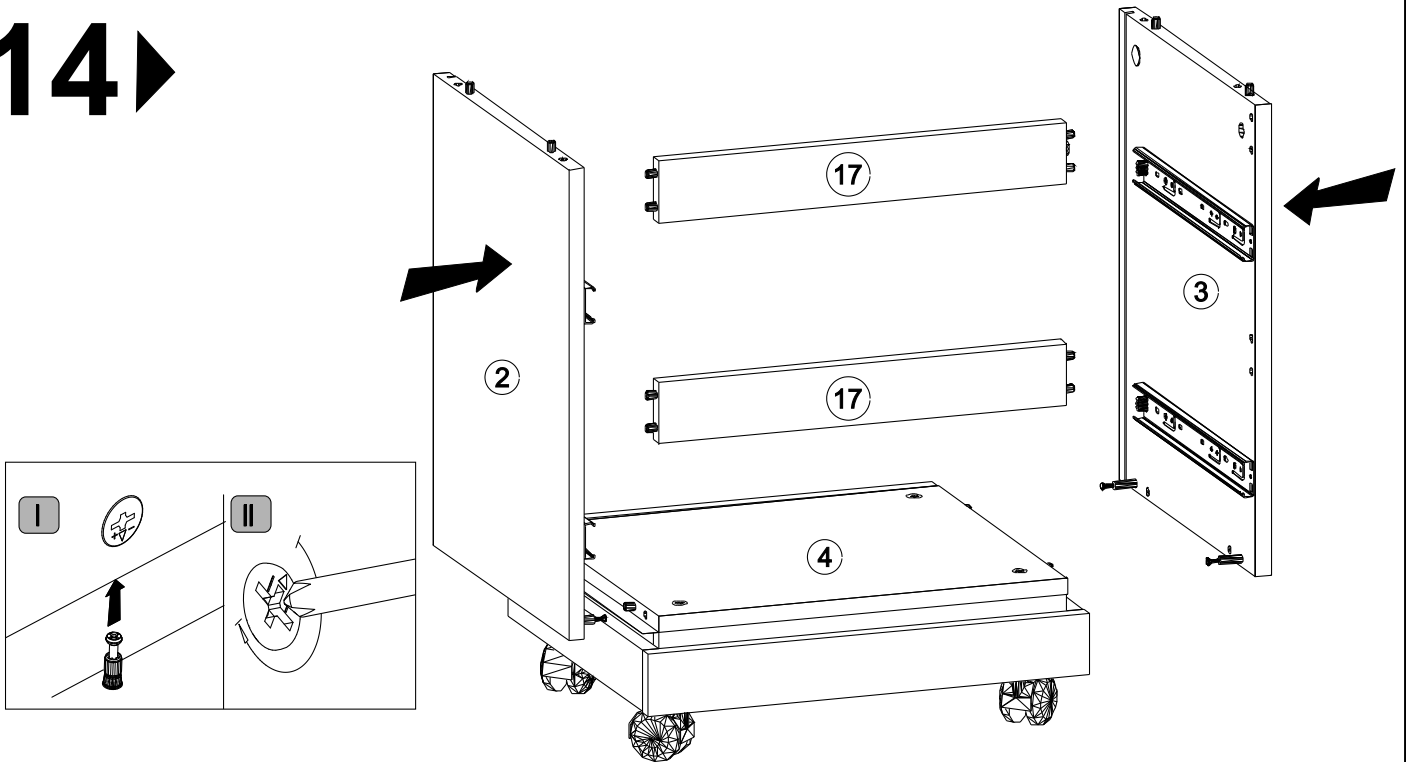


13▶

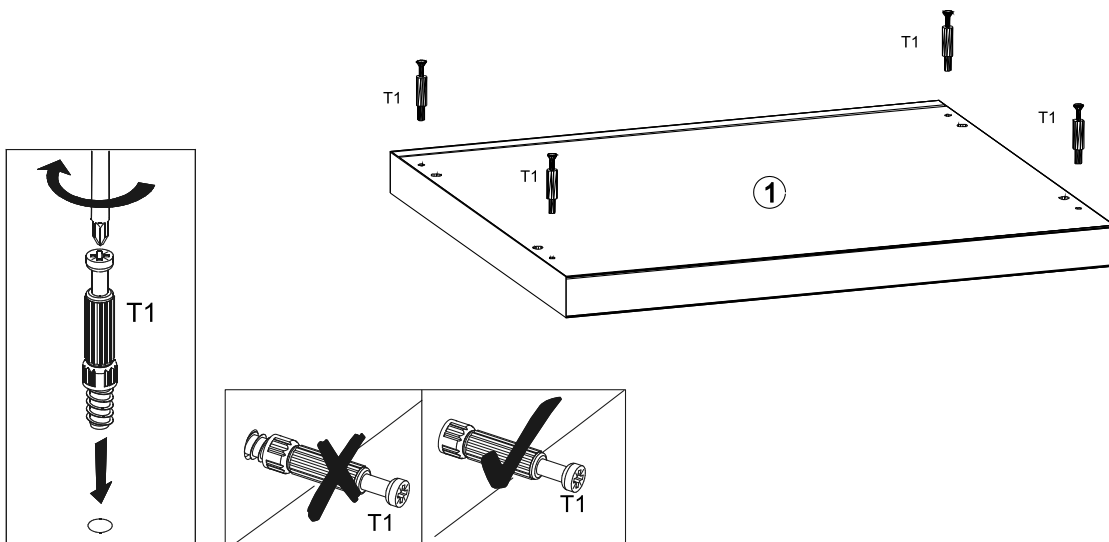


x2

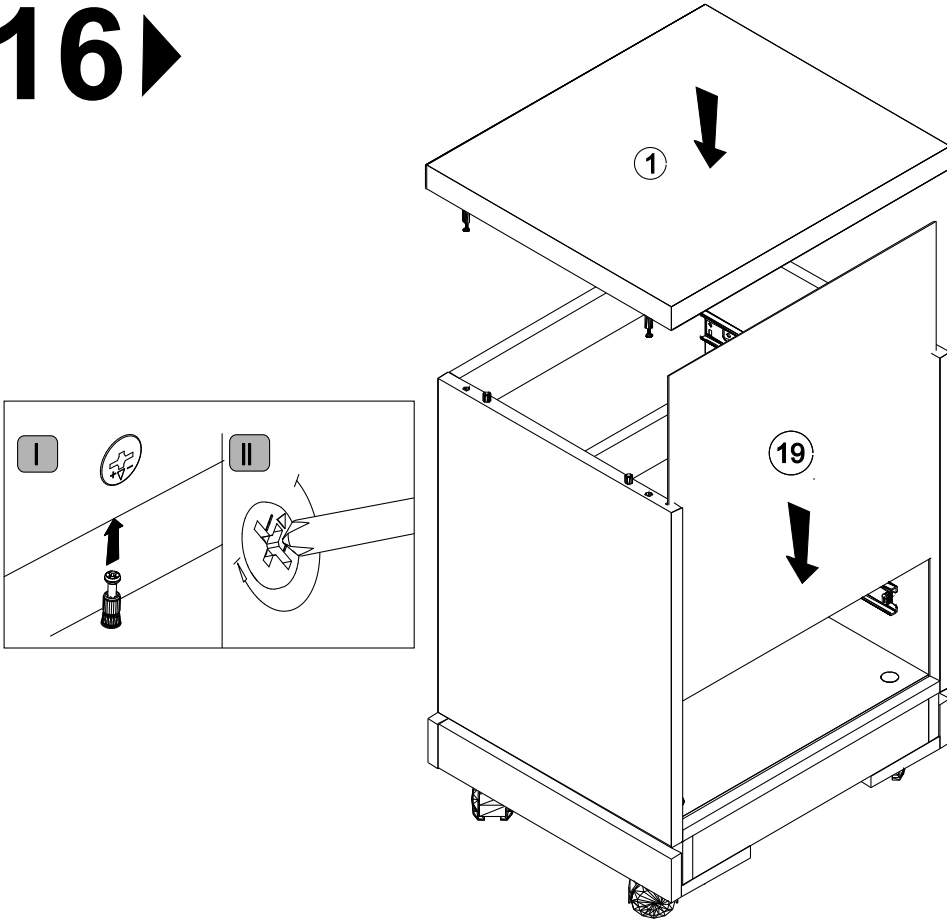
14▶



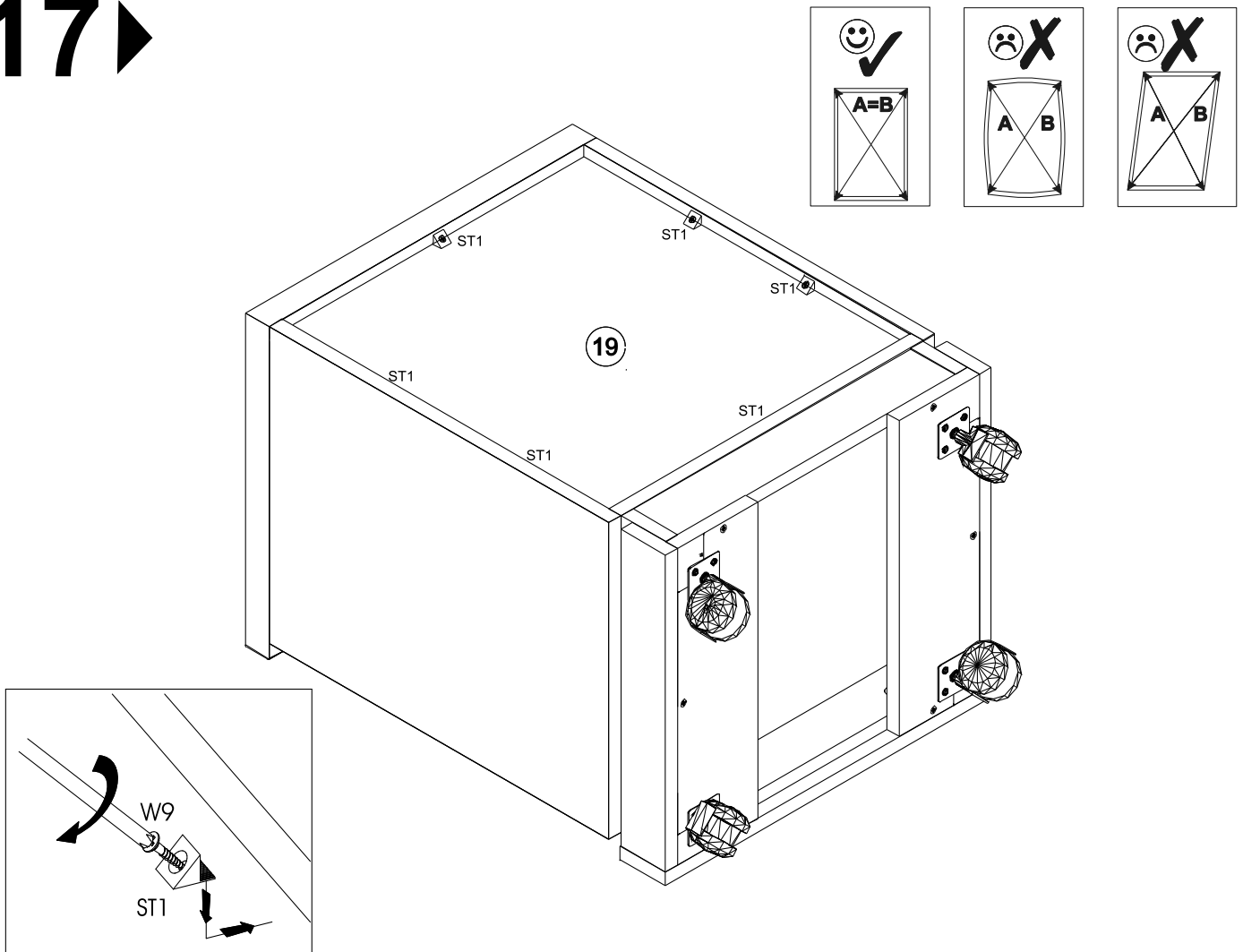
15▶



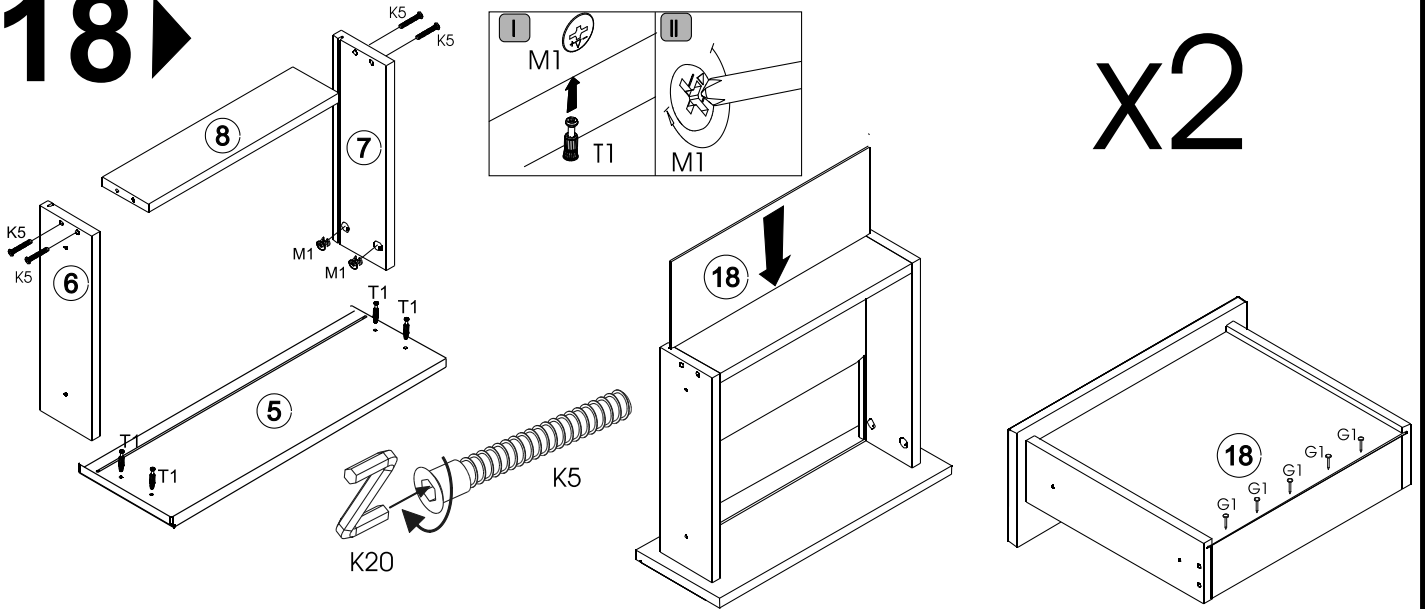
16 ▶



17 ▶



18▶



19▶

