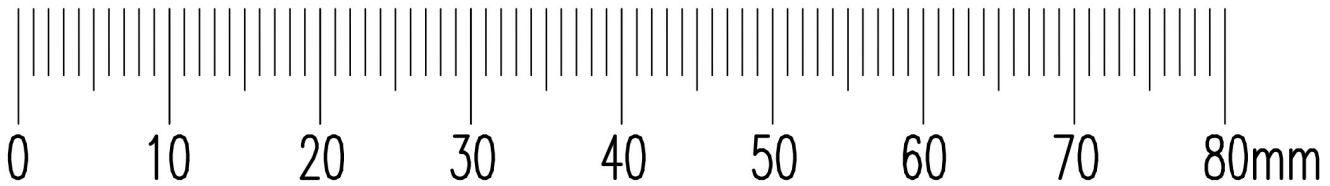
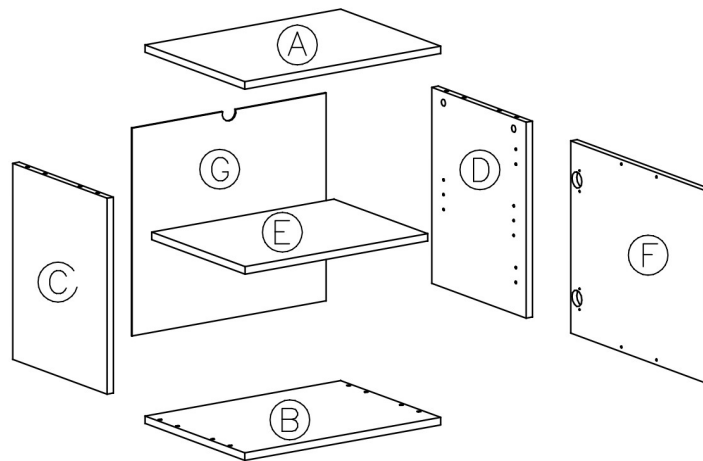
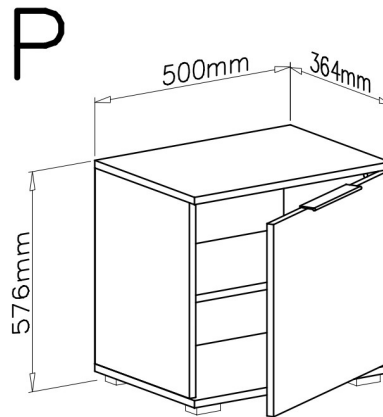
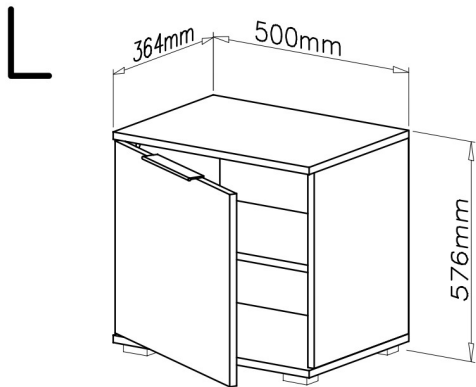
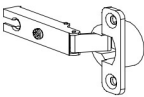
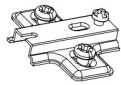


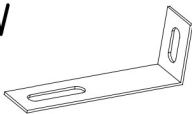



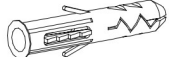

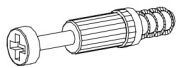

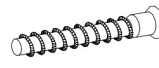

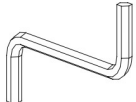




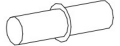


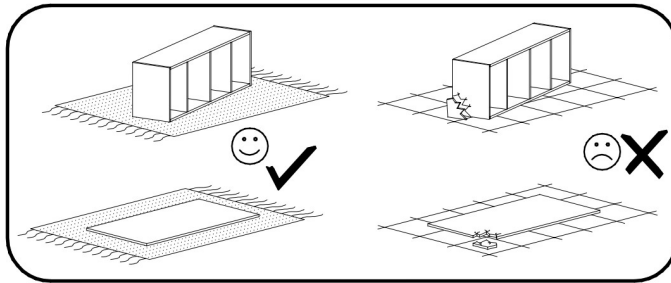
CLIF ST-50



HALMAR Sp. z o.o., ul. Centralnego Okręgu Przemysłowego 2,
37-450 Stalowa Wola, POLSKA / POLAND
tel. + 48 15 843 28 10, fax: +48 15 842 19 57, e-mail: office@halmar.com.pl

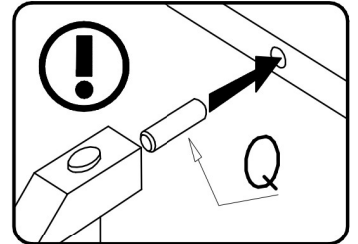
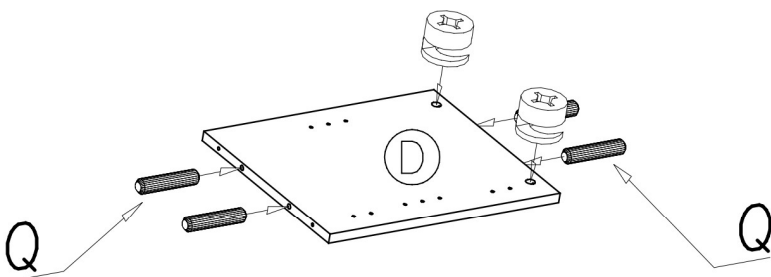
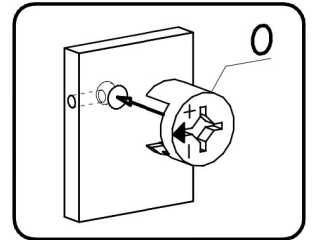
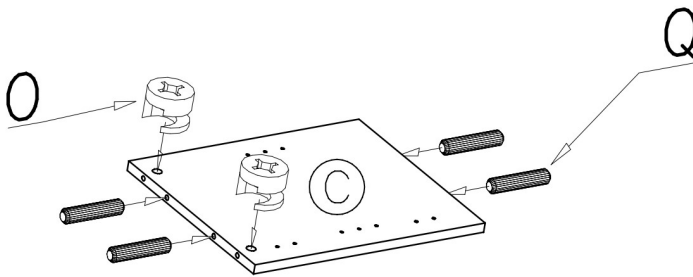
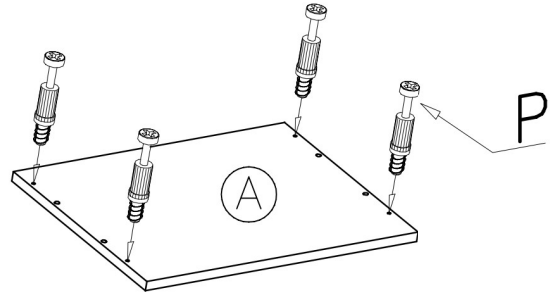
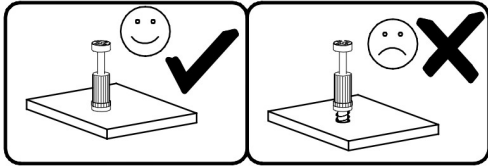


Z2  2x	Z1  2x	Z  3,5x16 4x	Y  ø4,2x50 1x	W  1x
U  3,5x16 2x	T  ø1,4x20 20x	S  5x13 2x	R  ø8x50 1x	Q  ø8x30 8x
P  4x	O  ø15x12 4x	N  ø7x50 4x	M  4x20 8x	K  1x
L  1x	K  4x25 4x	J  4x	I  ø16 4x	H  4x



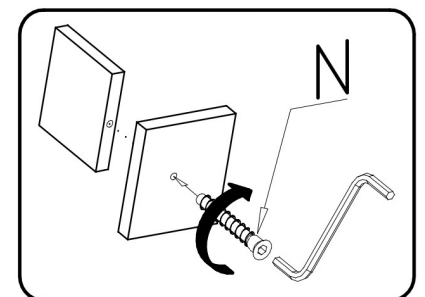
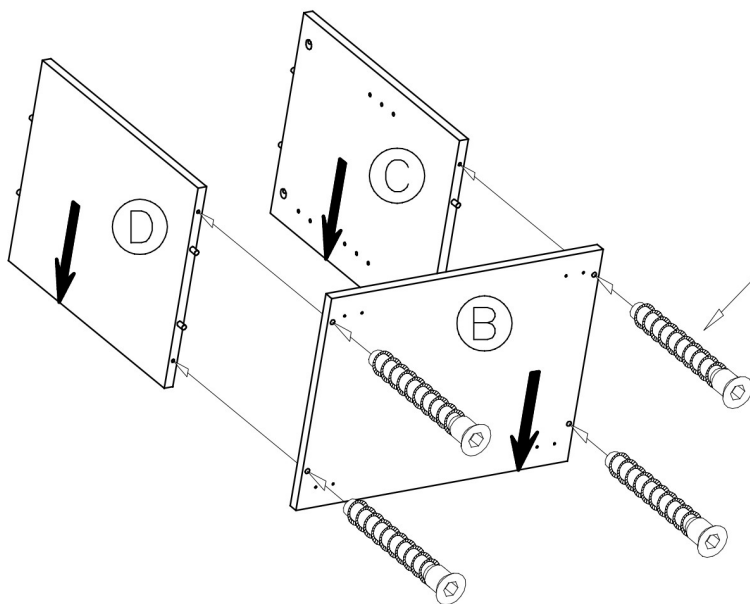
P		4x
O		4x
Q		8x

1

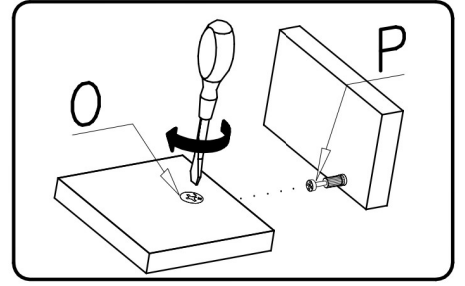
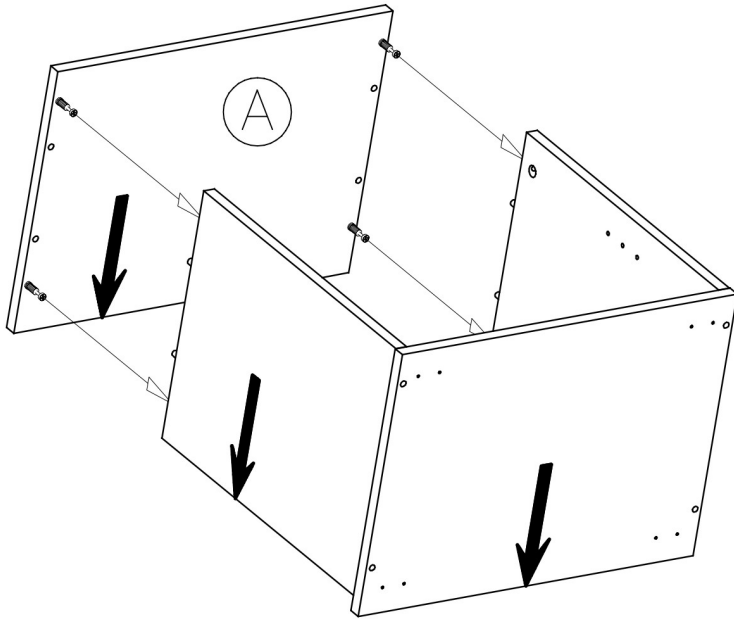


2

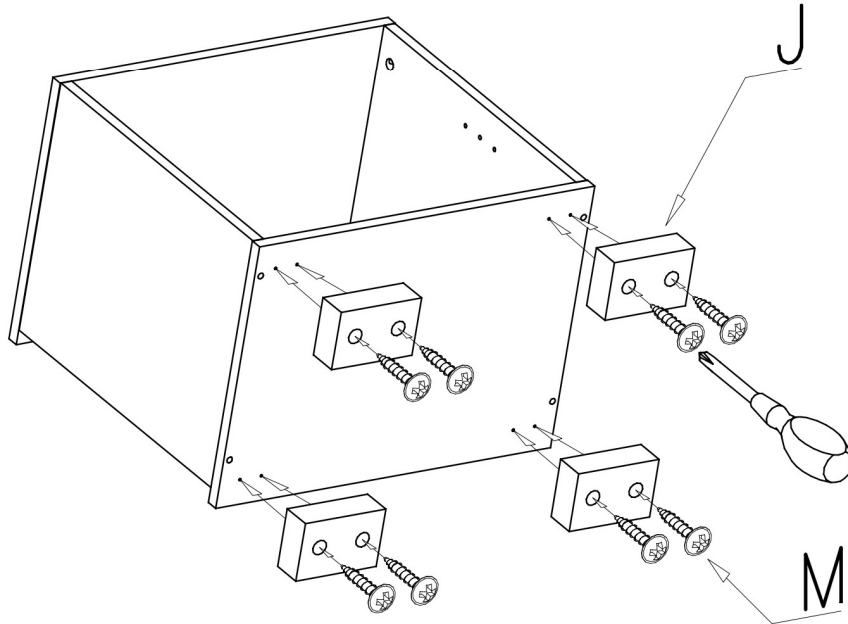
N		4x	L		1x
---	--	----	---	--	----





3

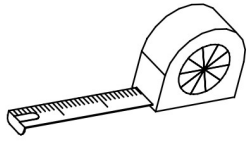


4

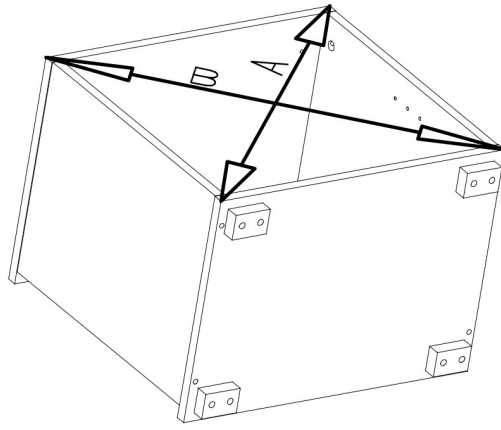



J  4x	M  4x20 8x
--	--

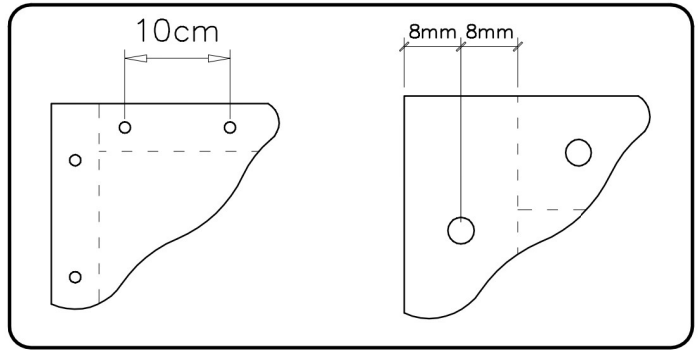
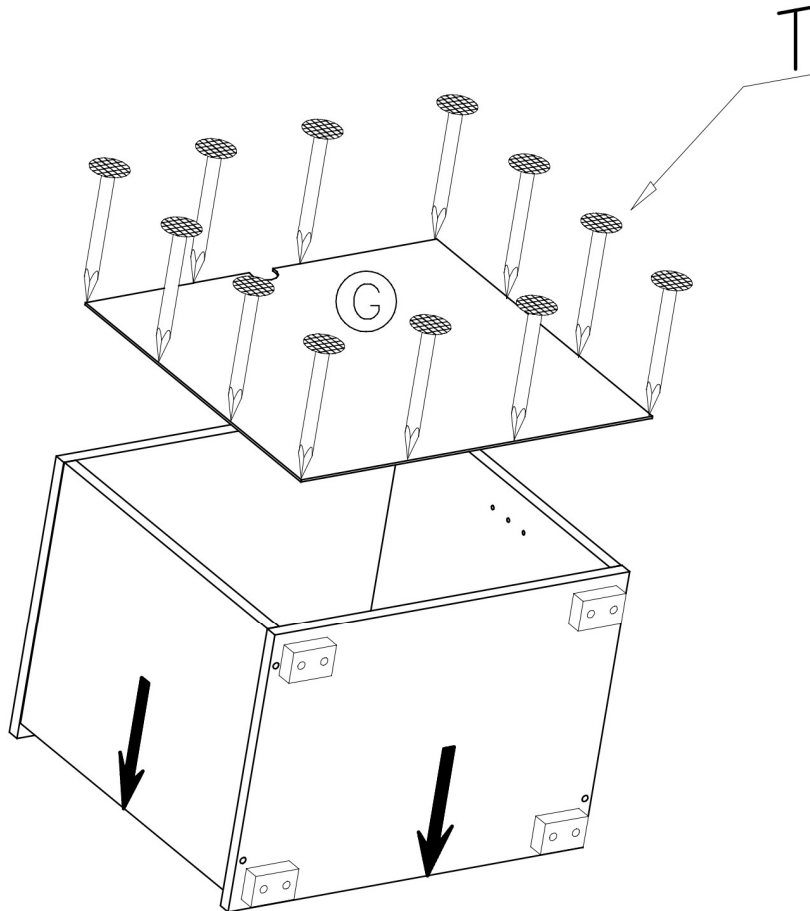
5



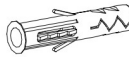


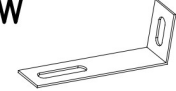
$$A=B$$

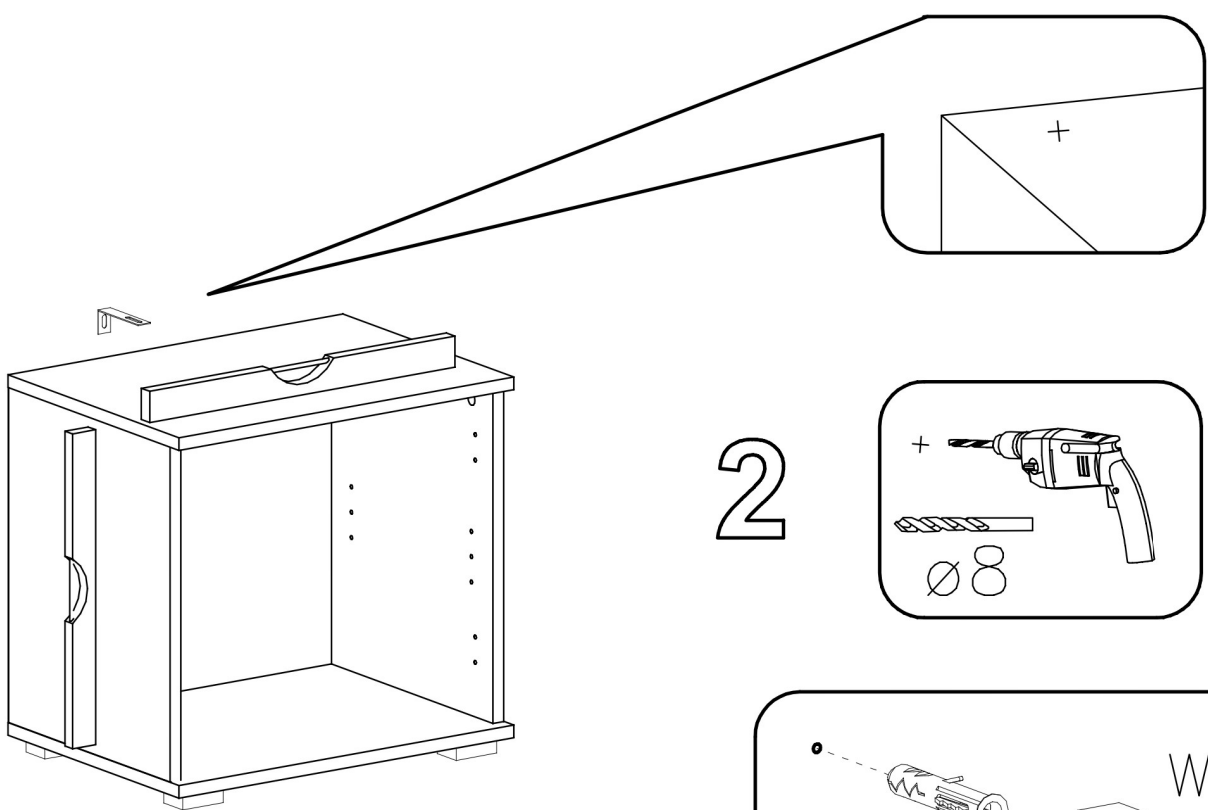


T 
ø1,4x20 20x

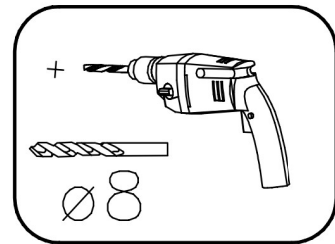


6

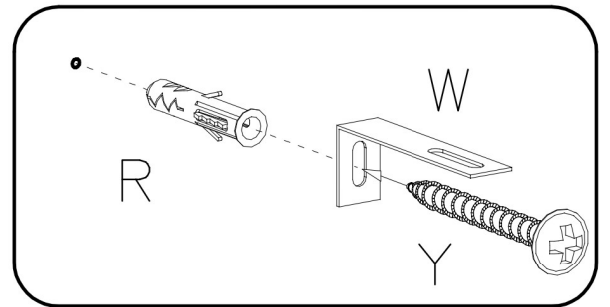
R		Y		U		W	
∅8x50	1x	∅4,2x50	1x	3,5x16	2x		1x



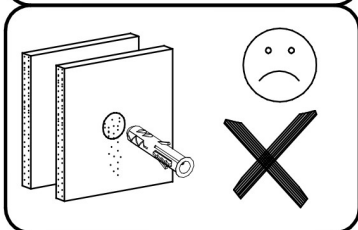
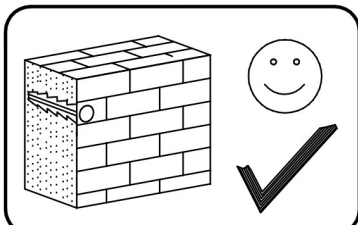
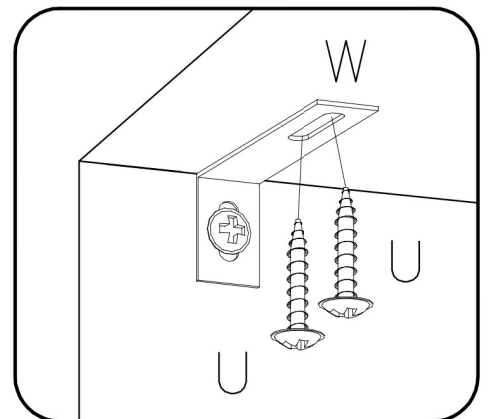
2



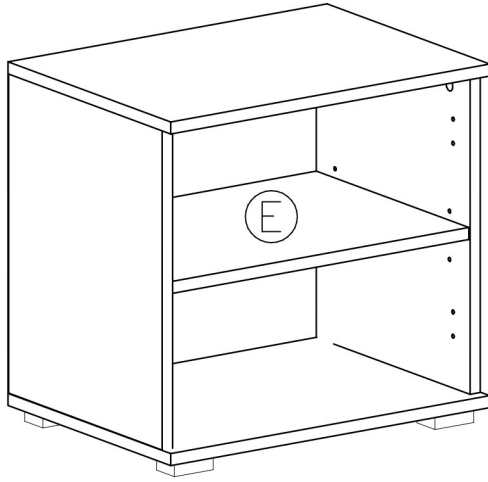
3

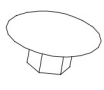
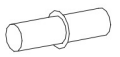


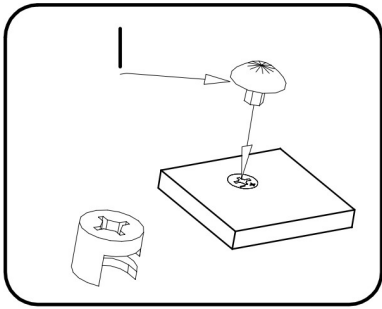
4



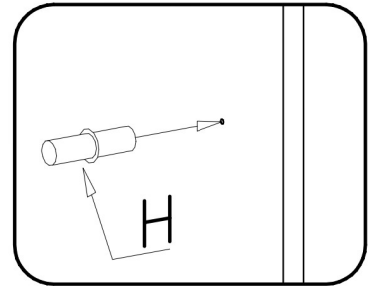
7



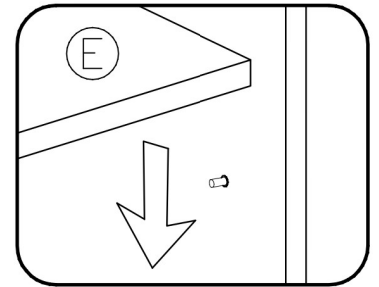
I		4x	H		4x
	∅16				



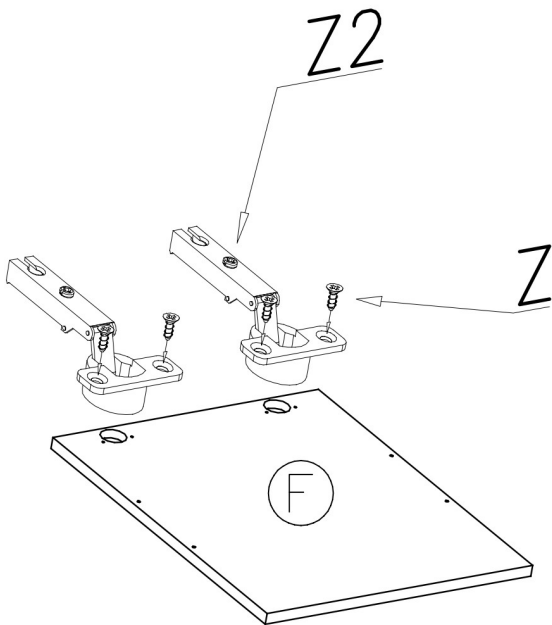
1


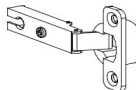


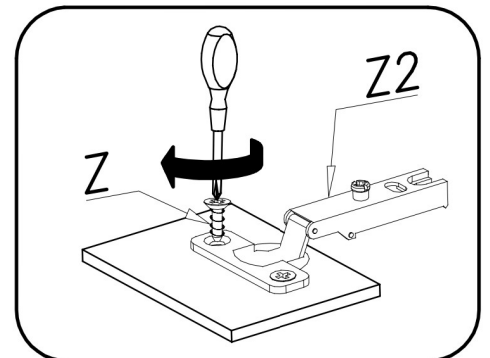
2



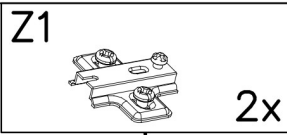
8



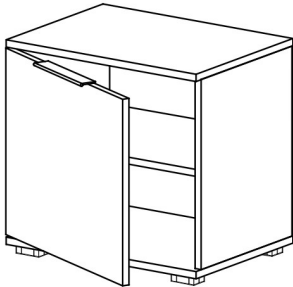
Z		4x
	3,5x16	
Z2		2x



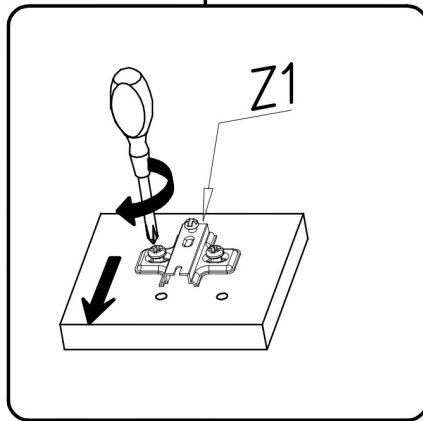
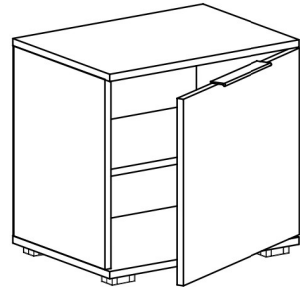
9



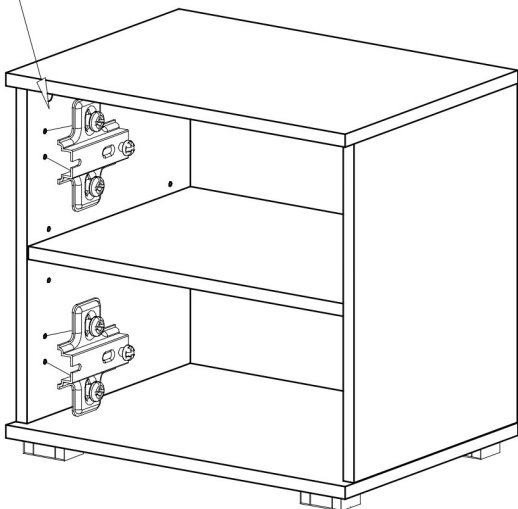
L



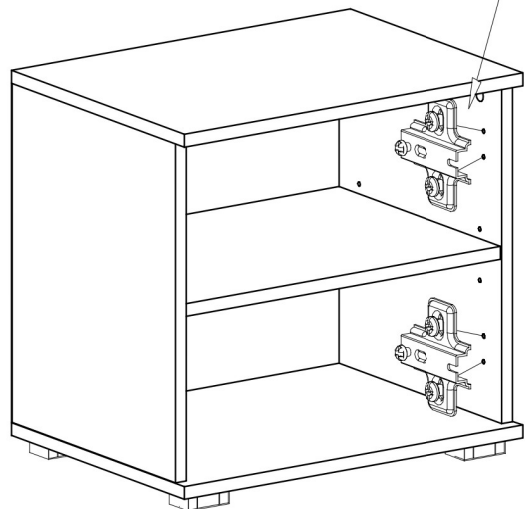
P





Z1



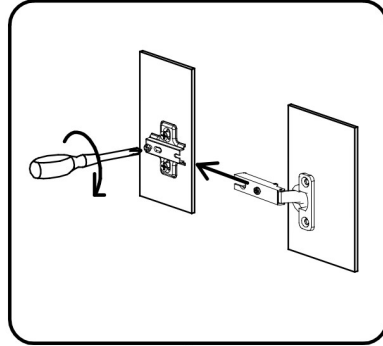
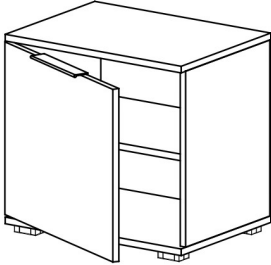
Z1



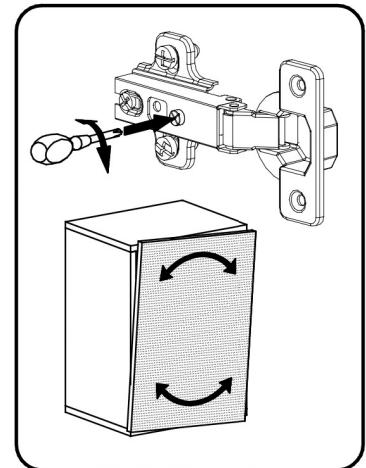
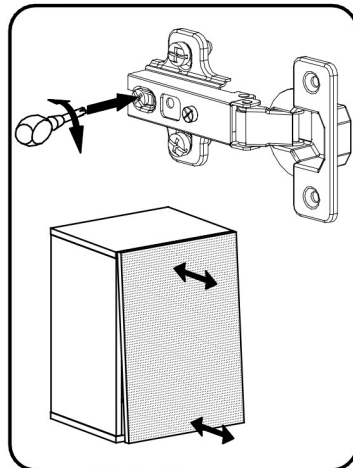
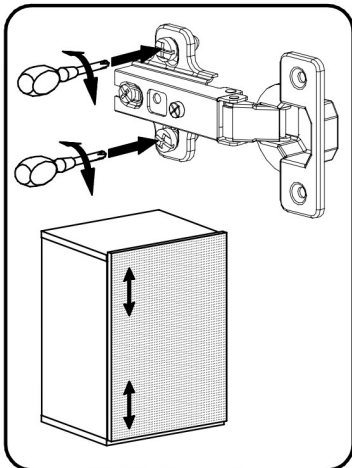
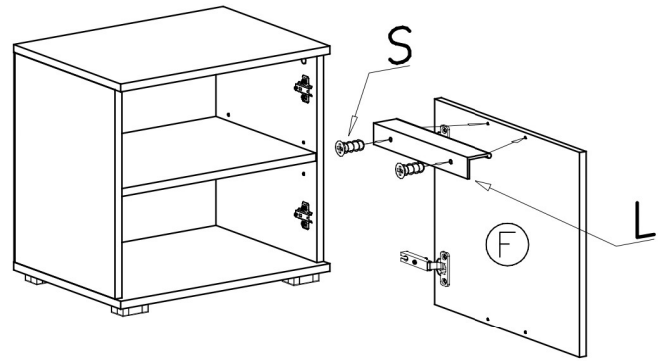
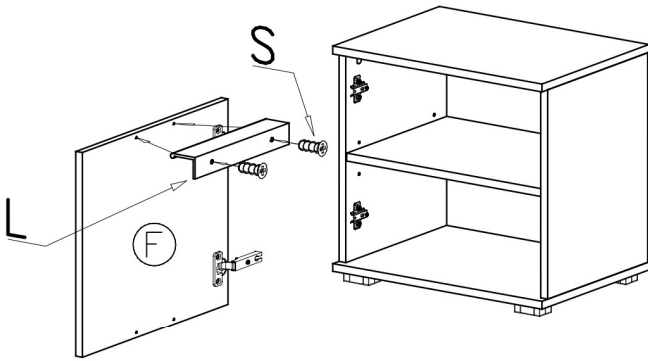
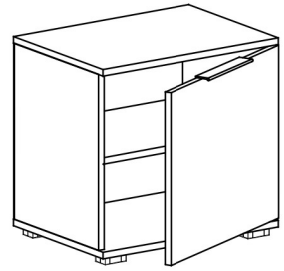
10

S	
5x13	2x
L	
	1x

L

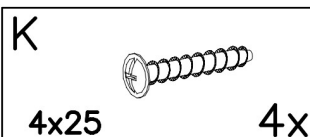
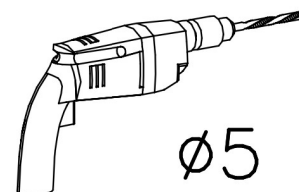
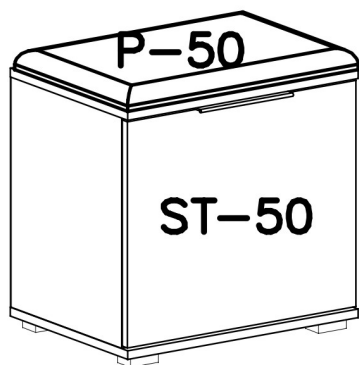


P

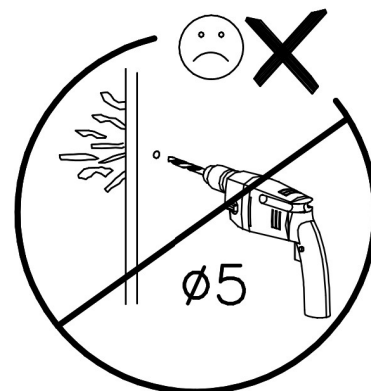
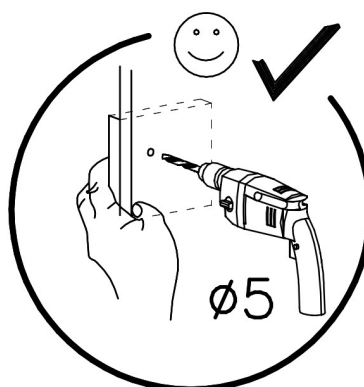
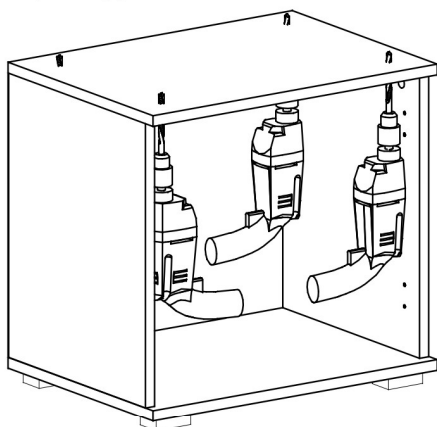


OPTION

CLIF ST-50 + CLIF P-50



1 ø5



2

