

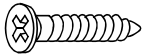
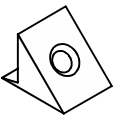
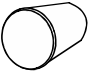
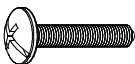
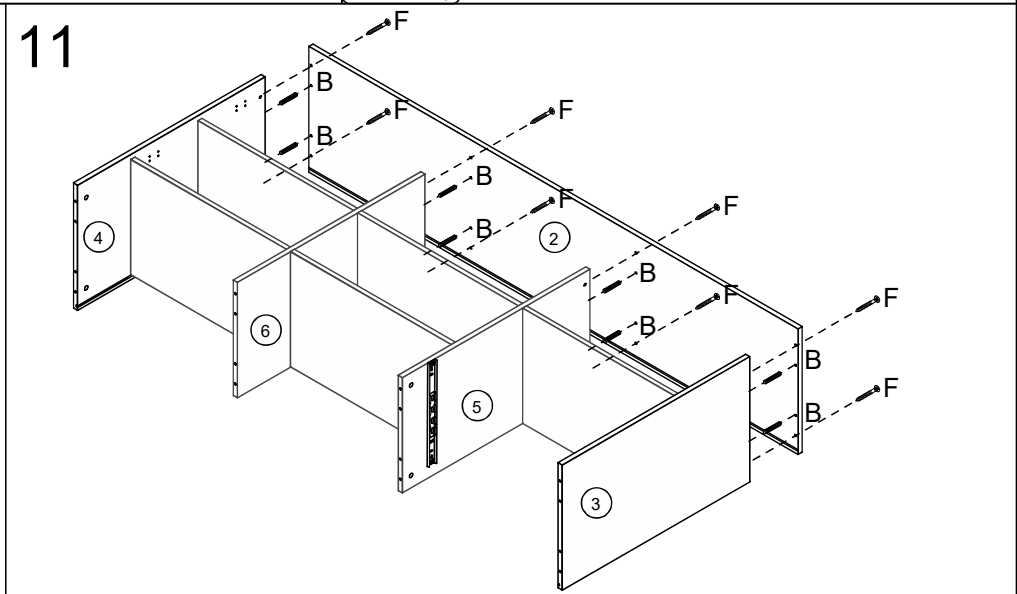
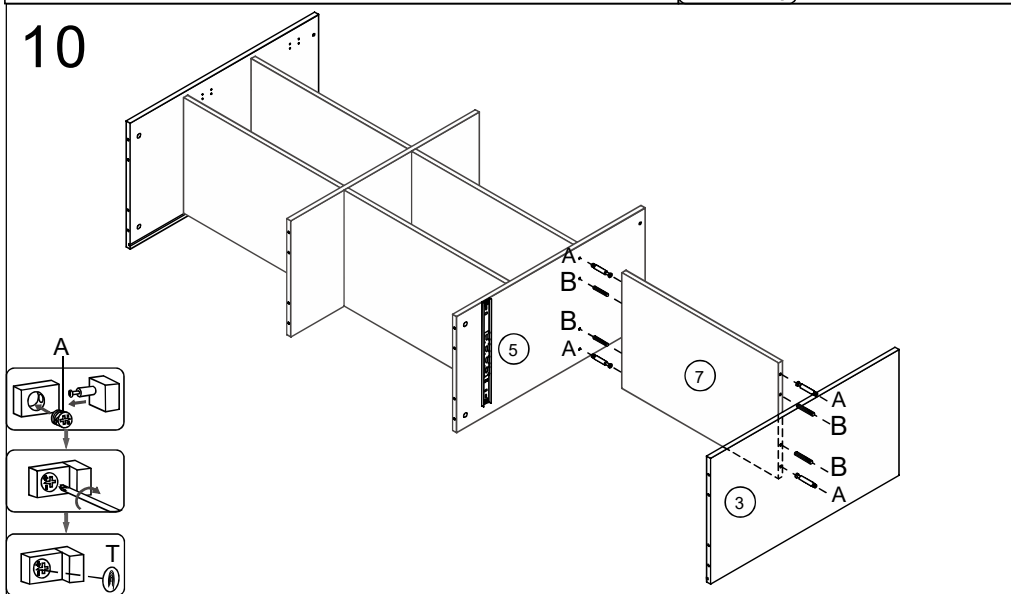
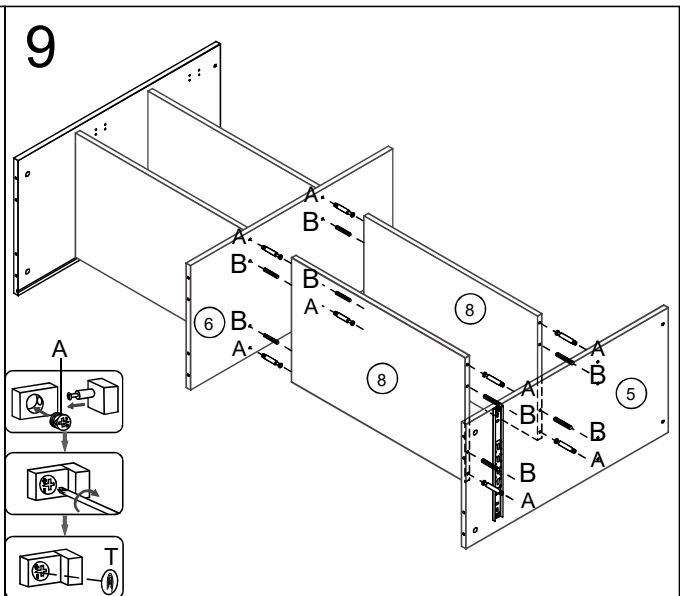
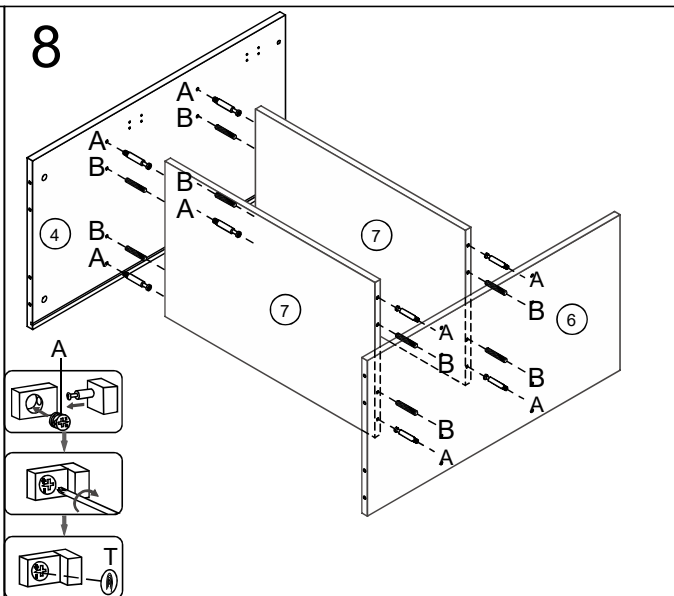
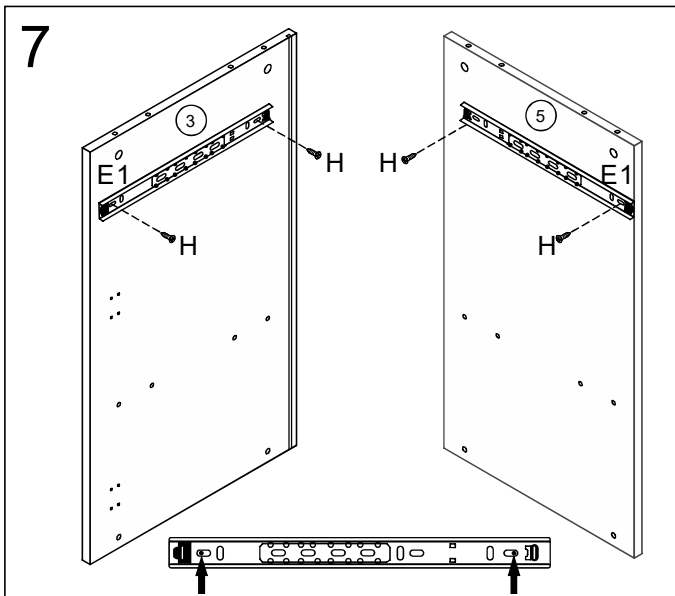

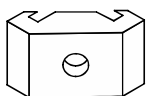
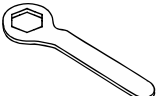
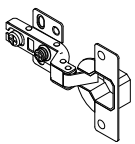
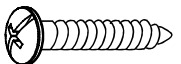
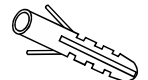
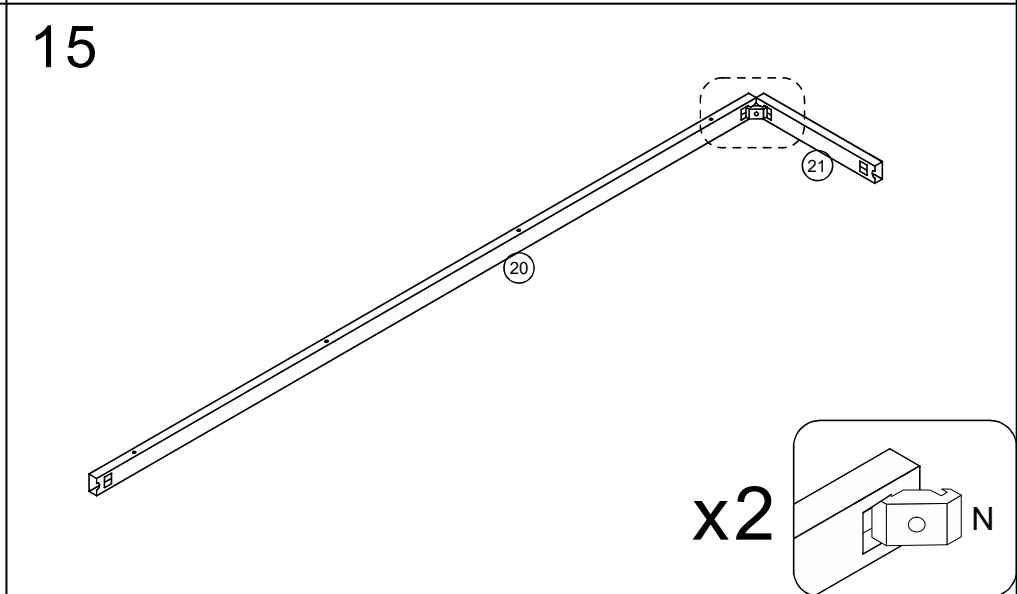
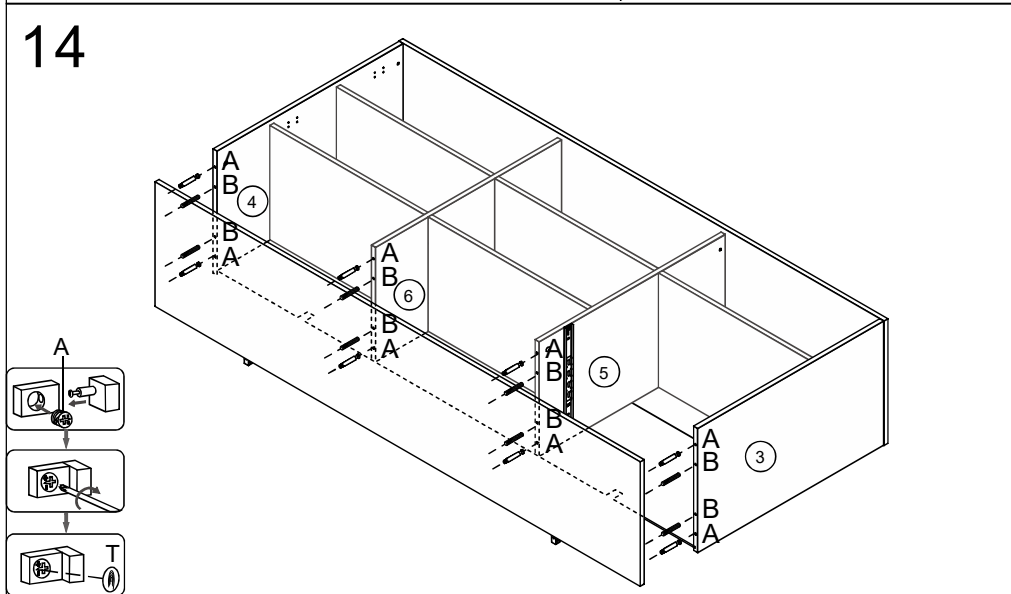
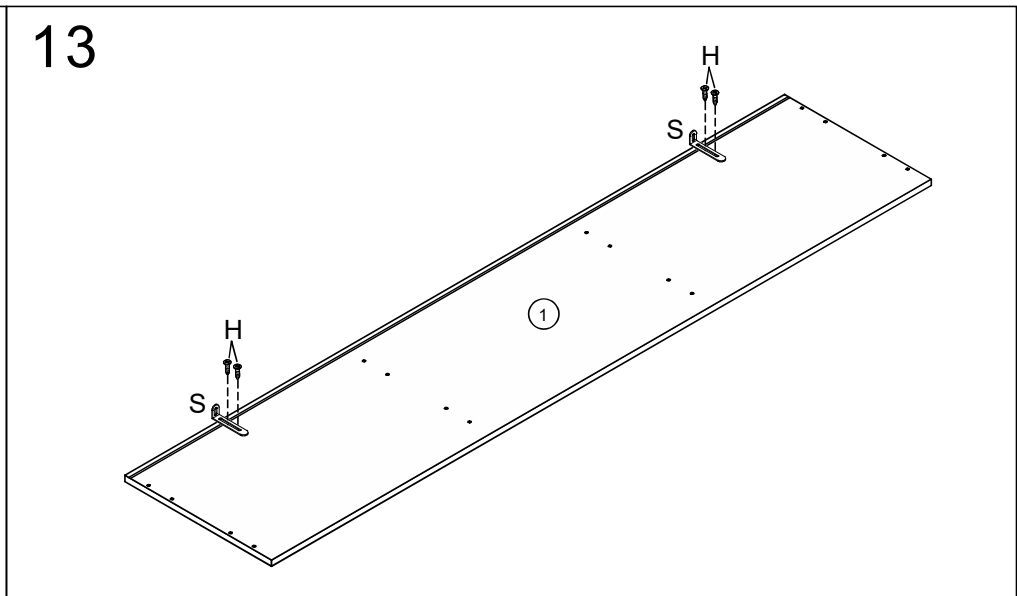
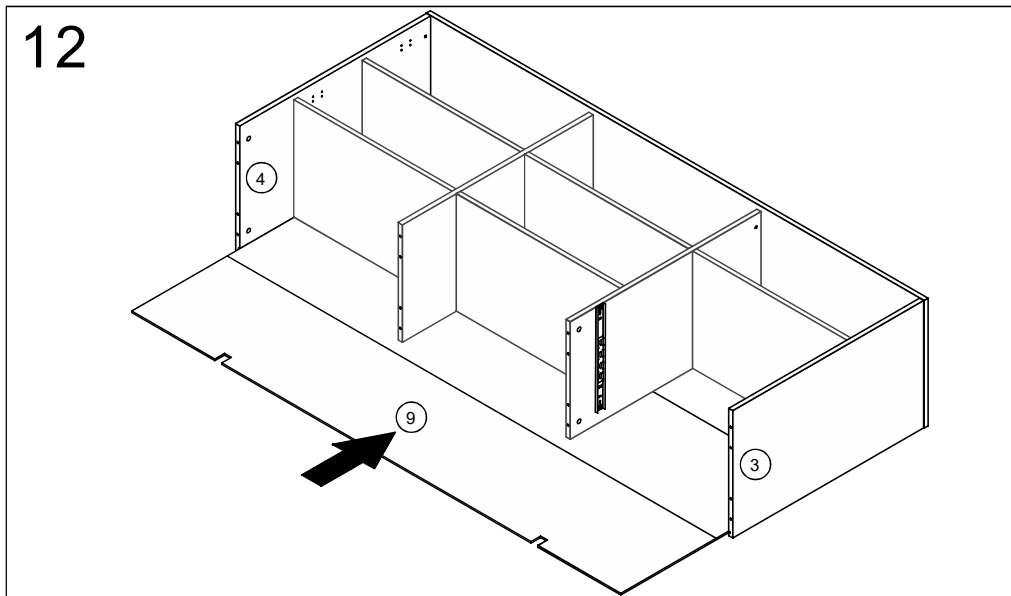
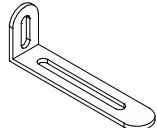



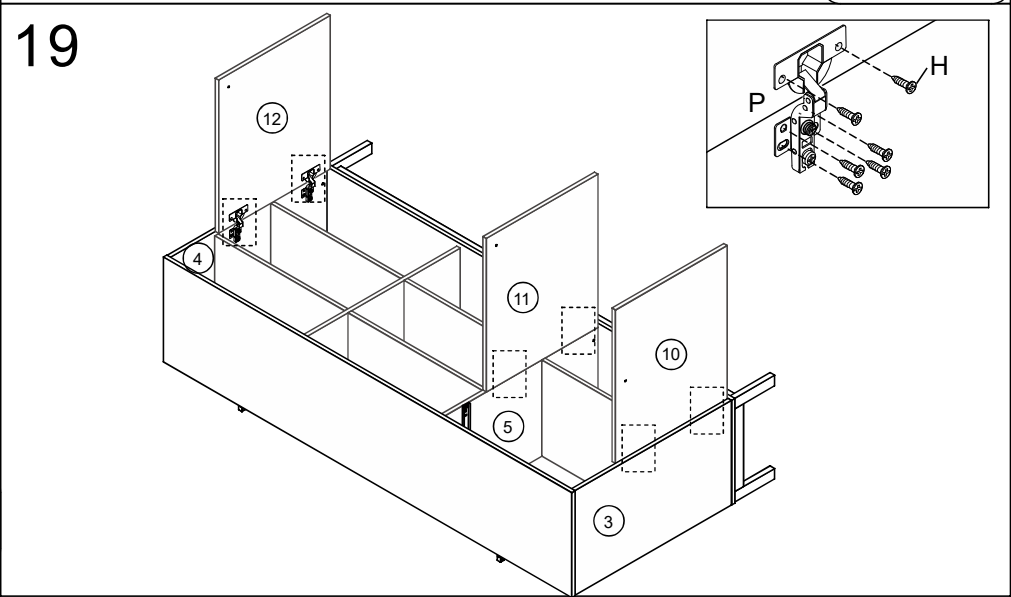
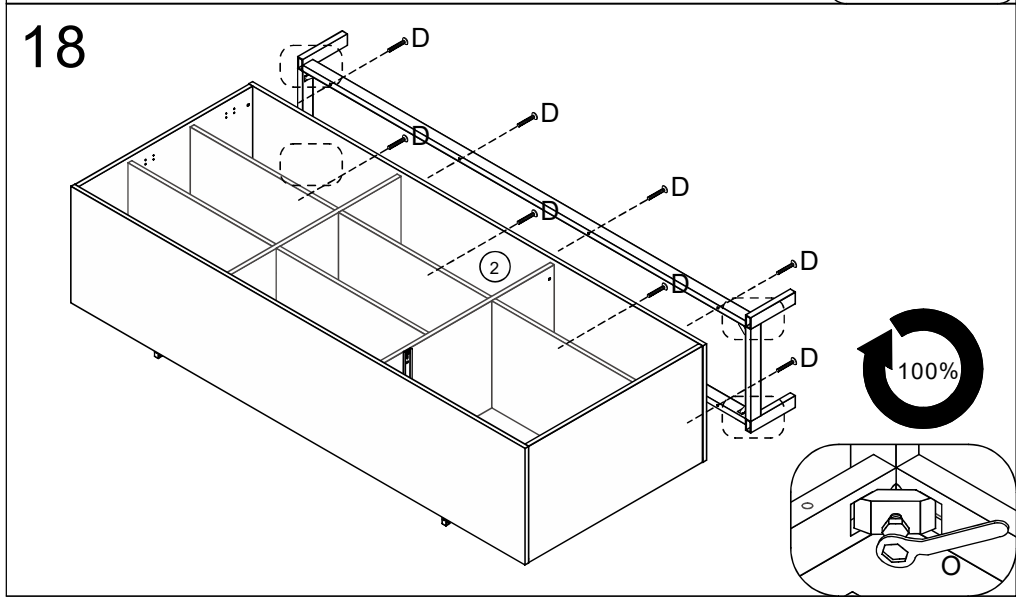
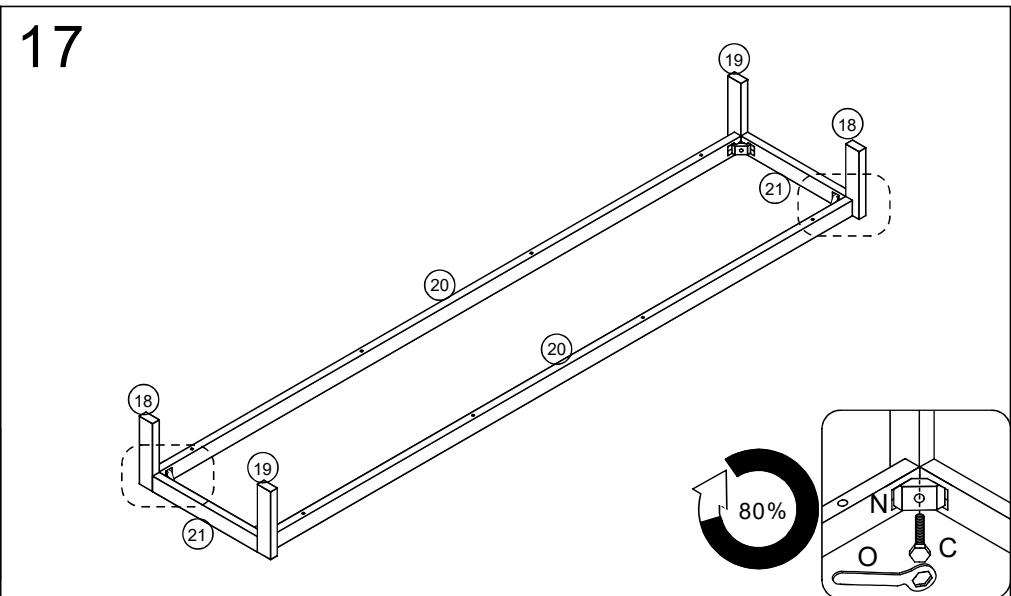
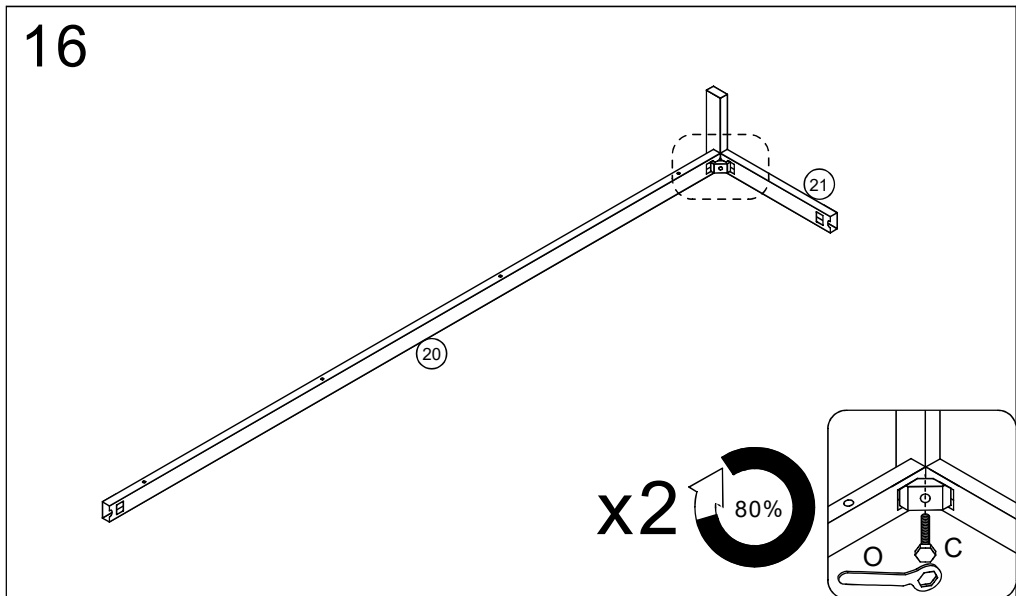
<p>G</p>  <p>ST4X35mm 4pcs</p>	<p>H</p>  <p>ST3. 5X12mm 48pcs</p>	<p>I</p>  <p>ST3. 5X18mm 12pcs</p>	<p>J</p>  <p>12pcs</p>	<p>K</p>  <p>4pcs</p>	<p>L</p>  <p>M4X20mm 4pcs</p>
--	--	---	--	---	---

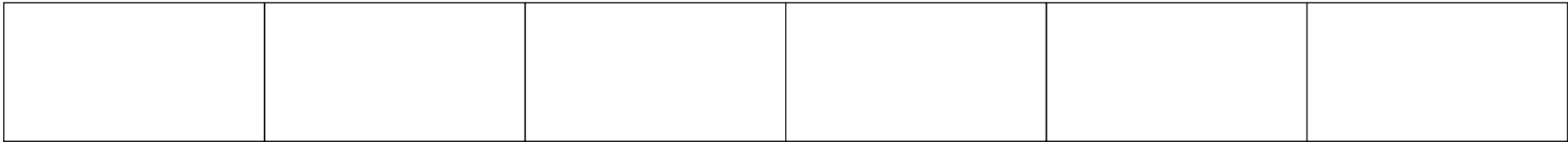


<p>M</p>  <p>14pcs</p>	<p>N</p>  <p>4pcs</p>	<p>O</p>  <p>1pc</p>	<p>P</p>  <p>6pcs</p>	<p>Q</p>  <p>ST4X25mm 2pcs</p>	<p>R</p>  <p>2pcs</p>
--	---	---	---	--	---

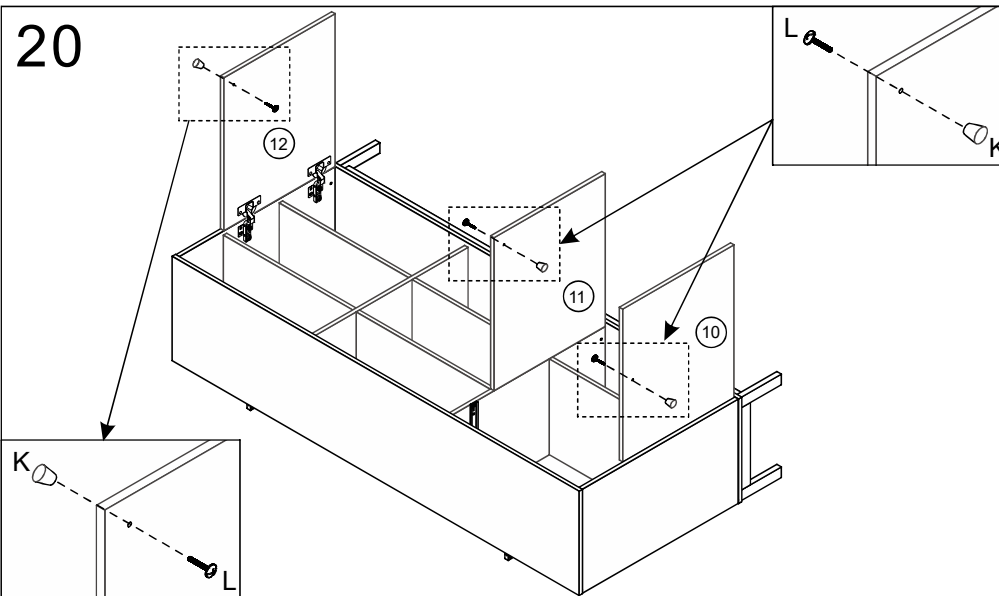


<p>S</p>  <p>2pcs</p>	<p>T</p>  <p>32pcs</p>				
---	--	--	--	--	--

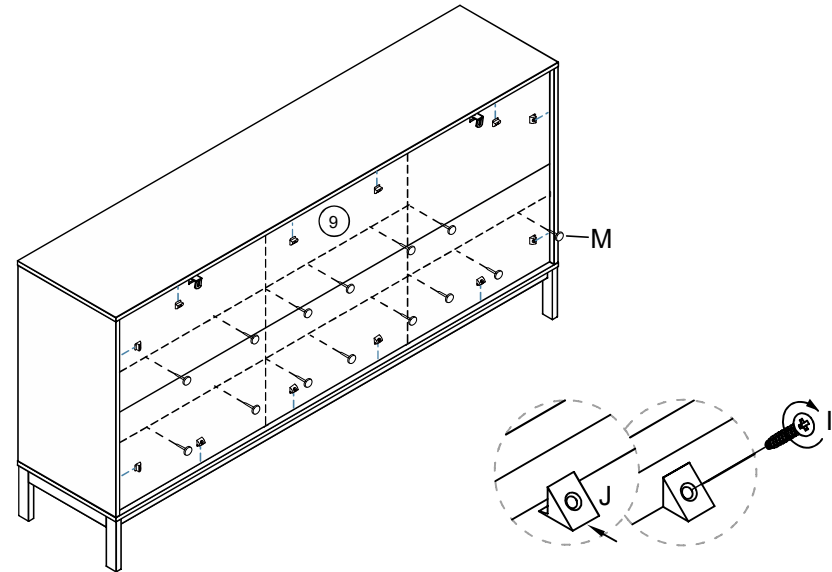




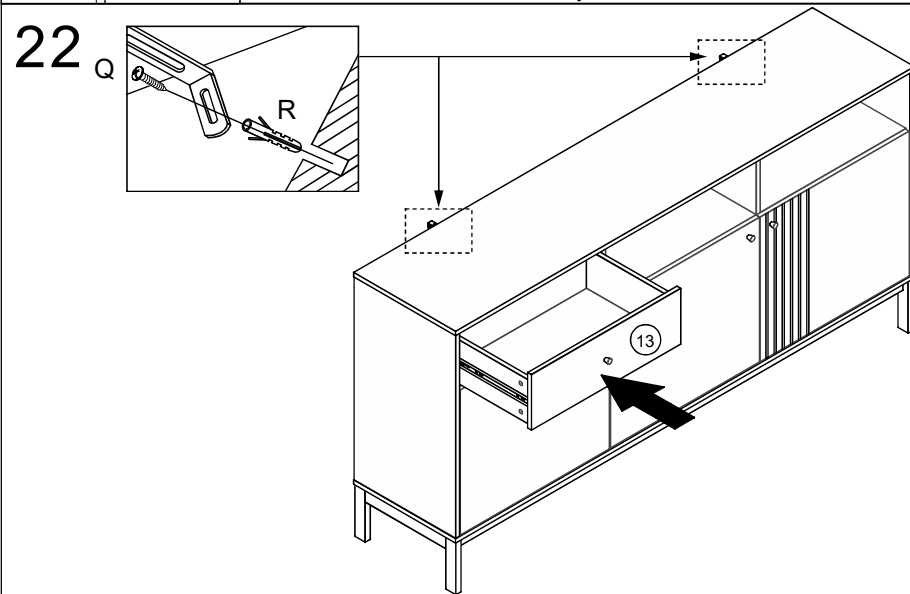
20



21



22



23

