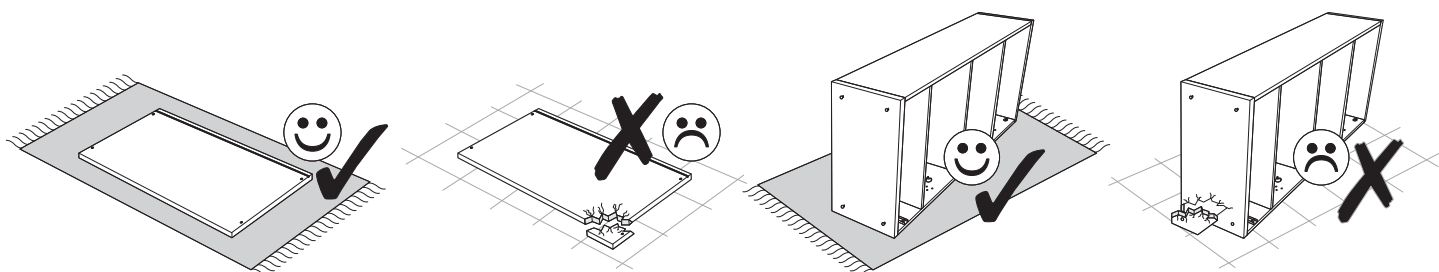
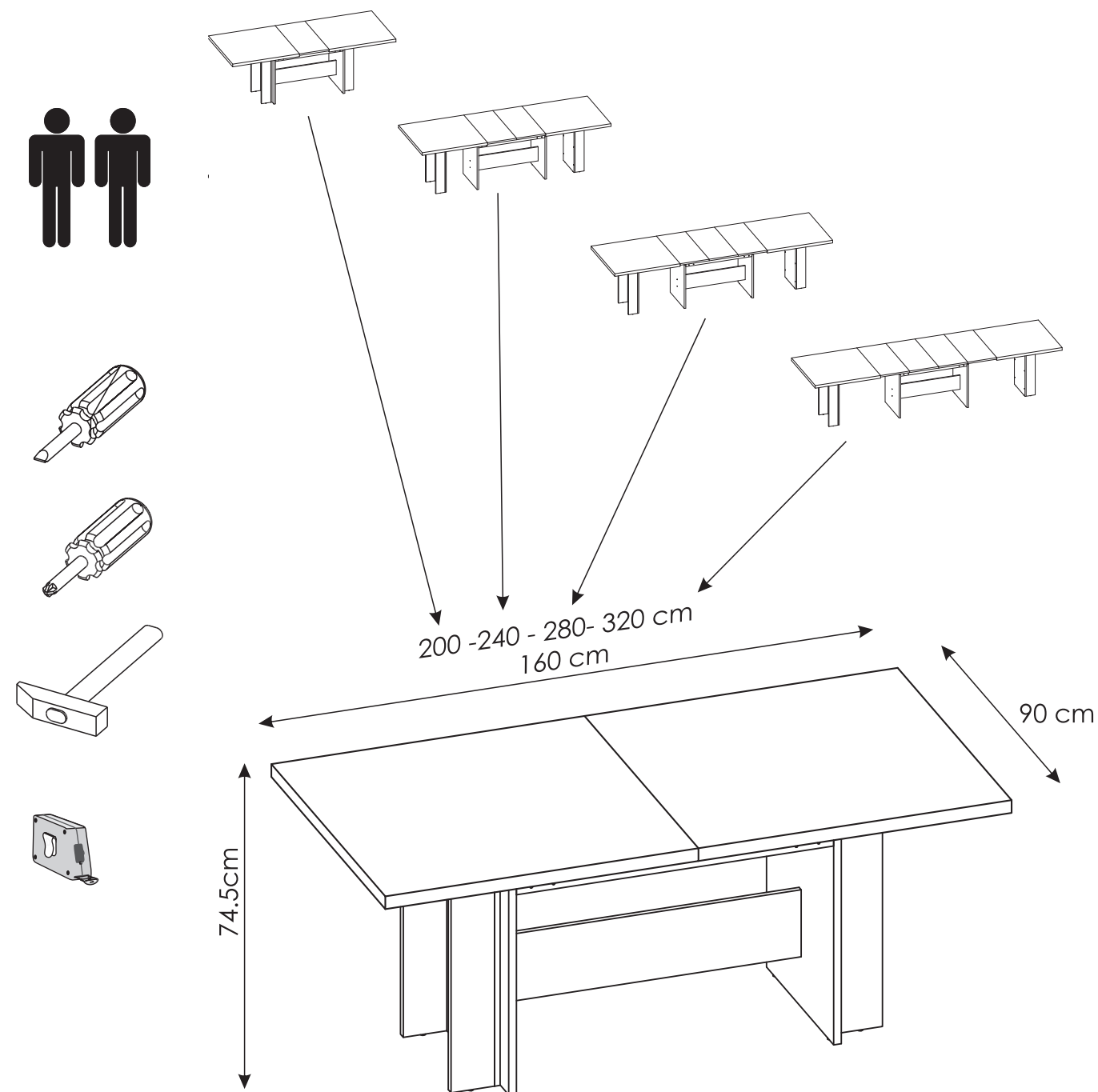
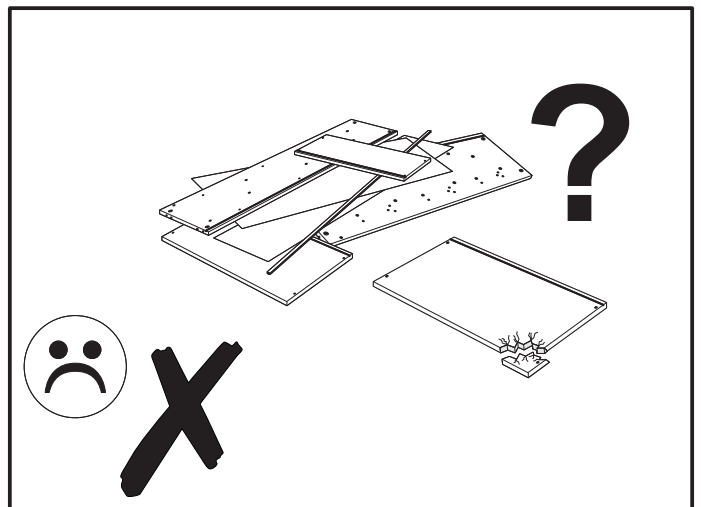
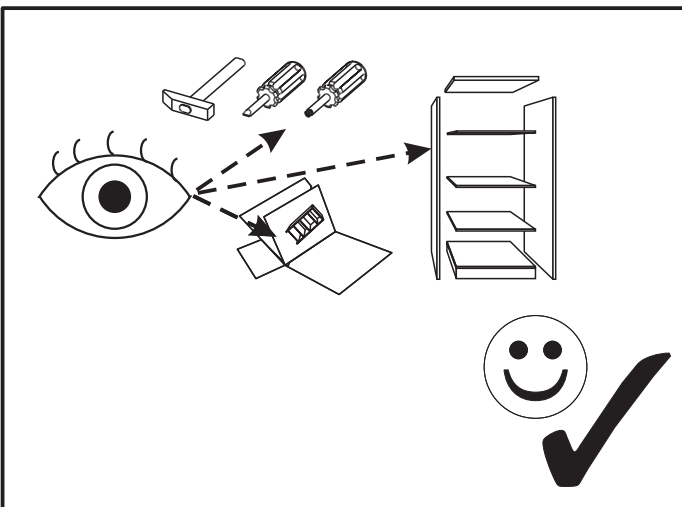
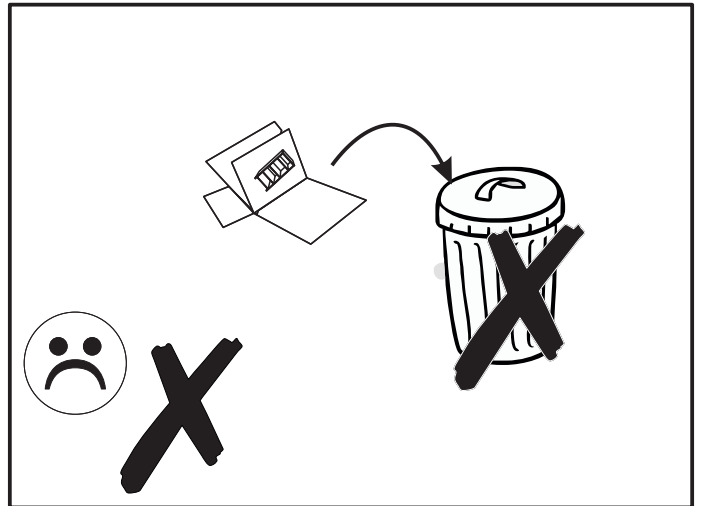
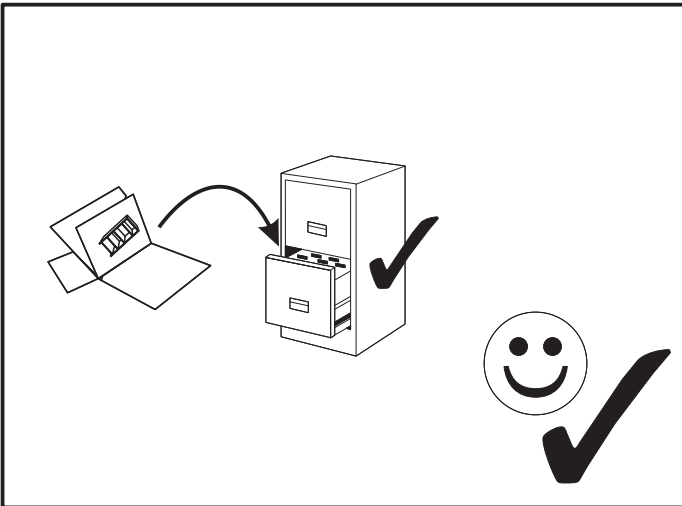
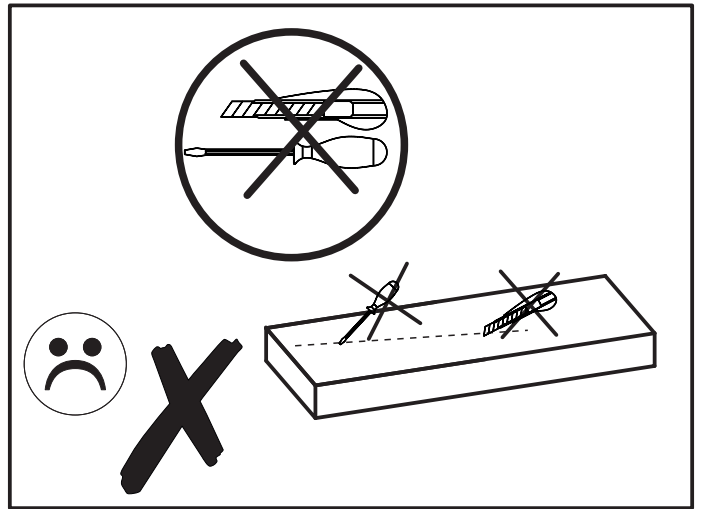
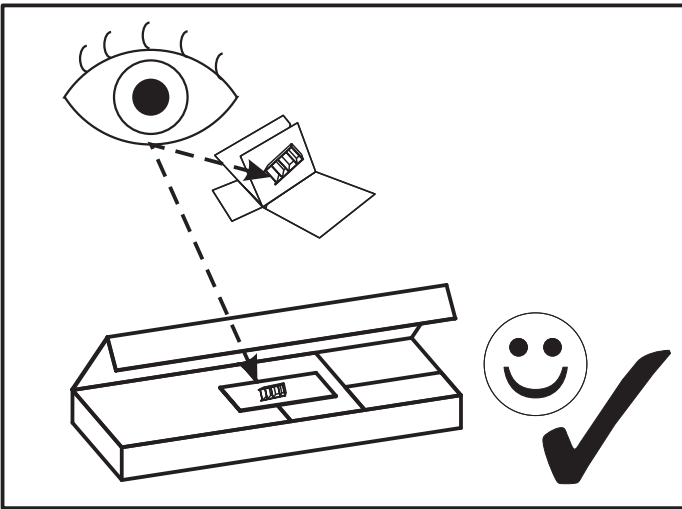
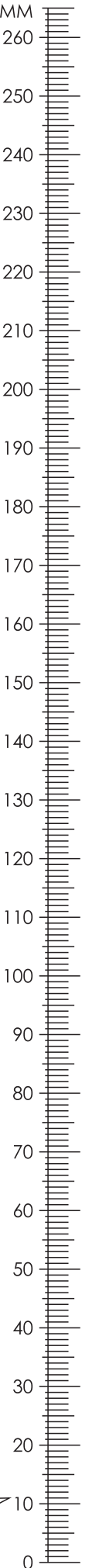


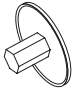

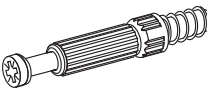



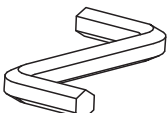
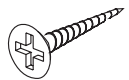



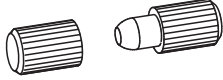
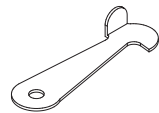

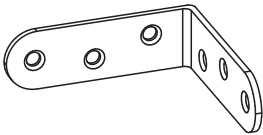


LIANDRA



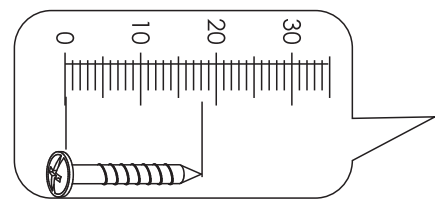


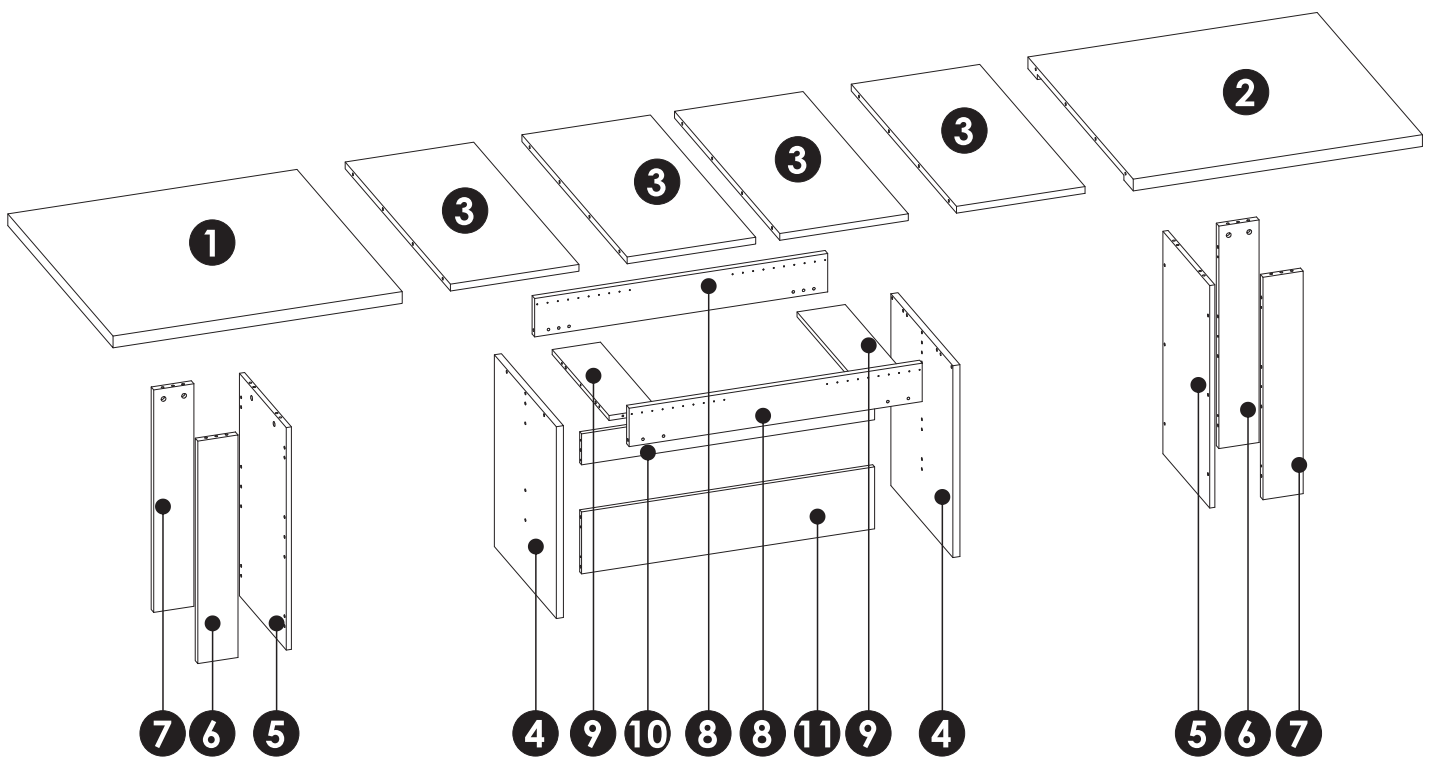
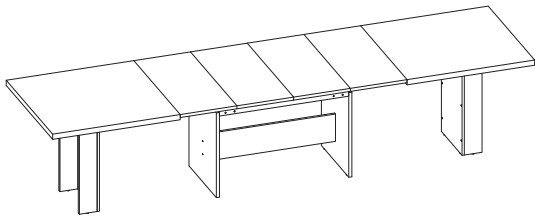


A1 8 x 35 mm x42 	C2 5 x 13 mm x68 	E0  x12
E1 15 x 12 mm x12 	F1 6 x 34 mm x12 	G1 7 x 50 mm x12 
G2 7 x 60 mm x22 	I2 4 x 16 mm x32 	M  x1
N2 3,5 X 16 mm x48 	O2  x12	O2A Ø10 x4 
P16  x34	R8  x20	S19  x2
T12  x4	W  x8	



Séparez les éléments avant de trier



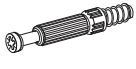

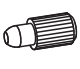



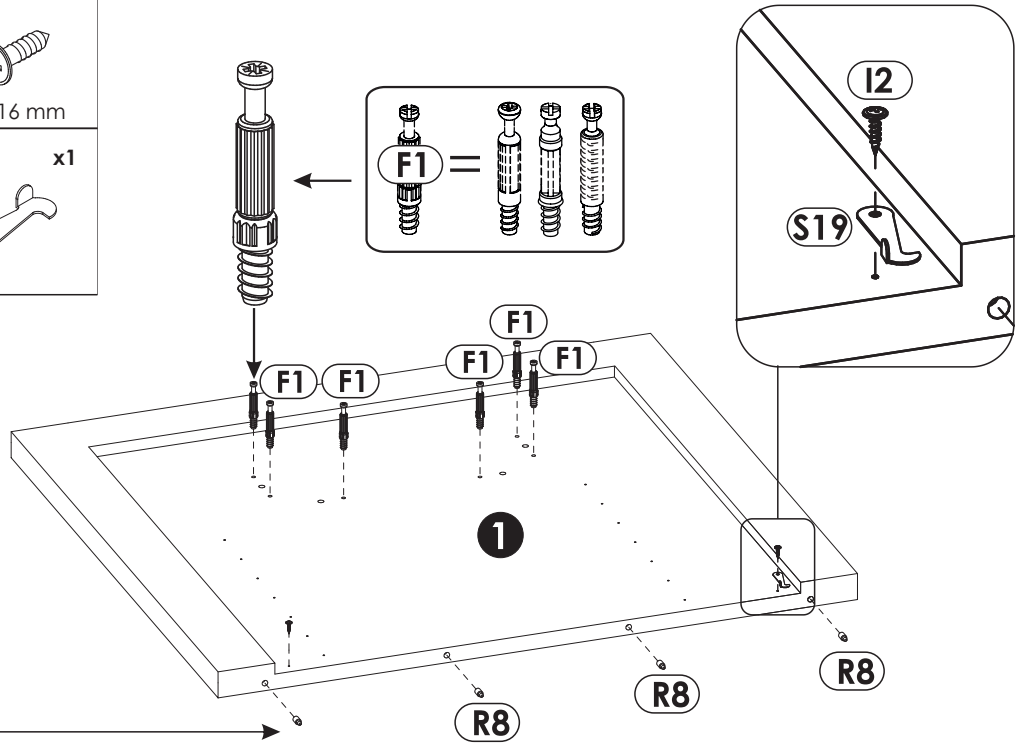
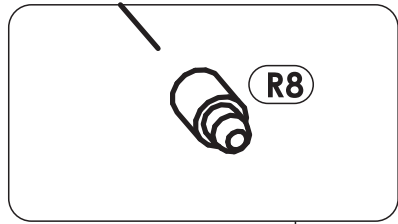
1	900	800	38	x1	2/3
2	900	800	38	x1	2/3
3	900	400	22	x4	3/3

4	619	530	22	x2	1/3
5	718	400	16	x2	1/3
6	718	125	22	x2	1/3
7	718	125	22	x2	1/3

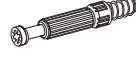



8	124	912	22	x2	1/3
9	486	150	16	x2	1/3
10	100	912	16	x1	1/3
11	200	912	16	x1	1/3

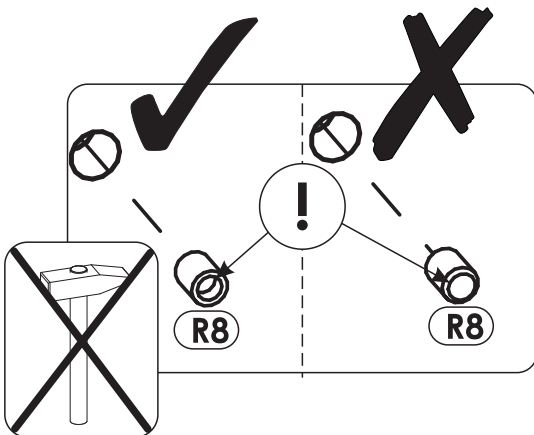
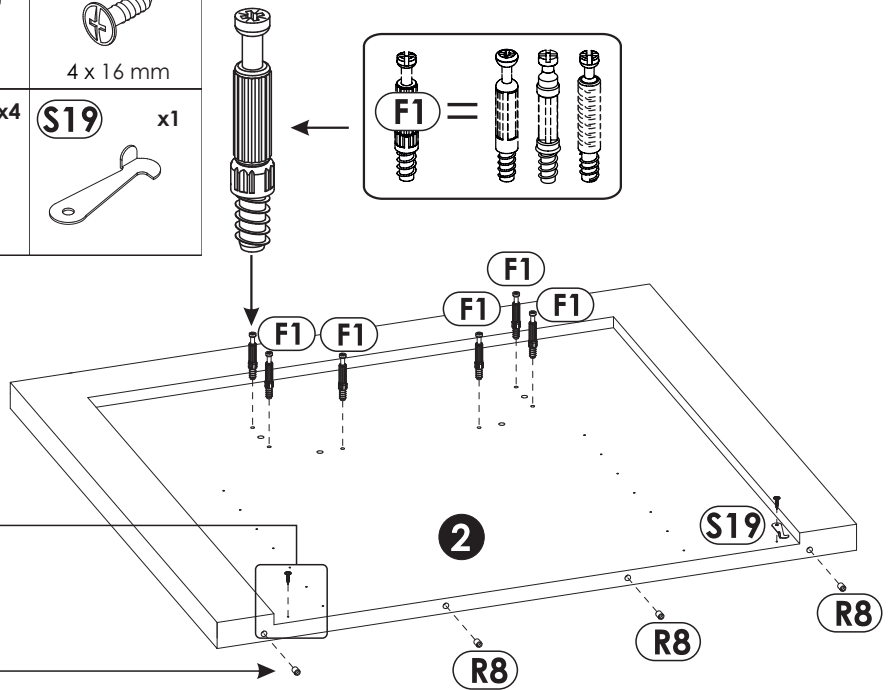
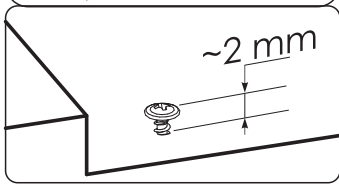
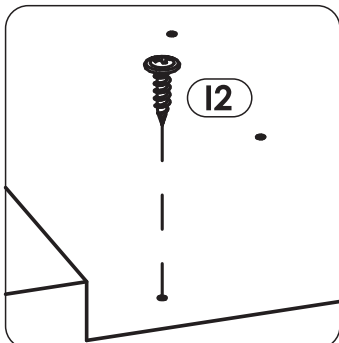
1 ▶

F1 x6  6 x 34 mm	I2 x2  4 x 16 mm
R8 x4 	S19 x1 






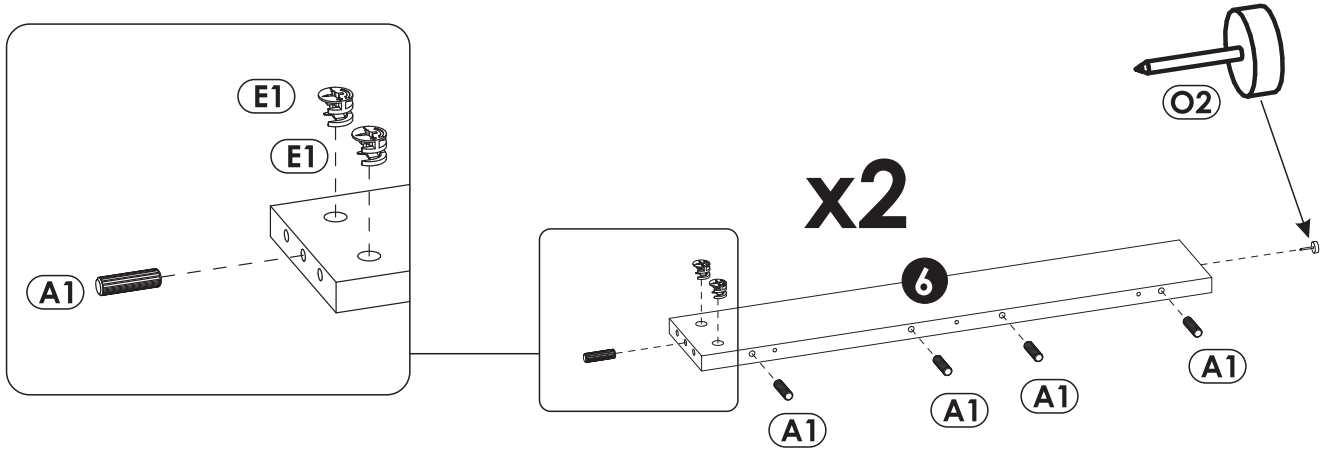
2 ▶

F1 x6  6 x 34 mm	I2 x2  4 x 16 mm
R8 x4 	S19 x1 






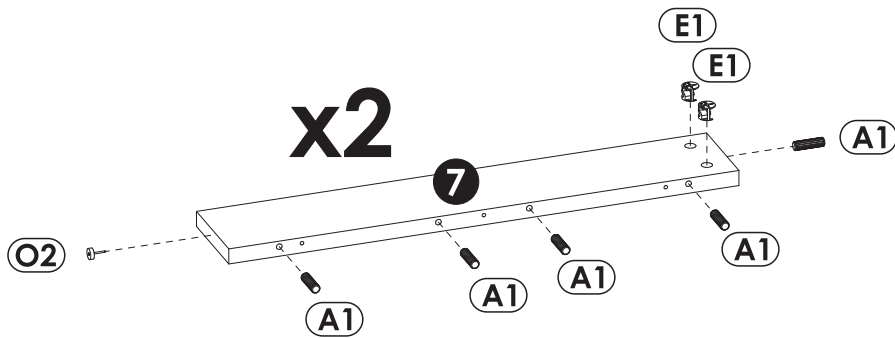
3 ▶

A1 x10  8 x 35 mm	E1 x4  15 x 12 mm	O2 x2 
---	---	---

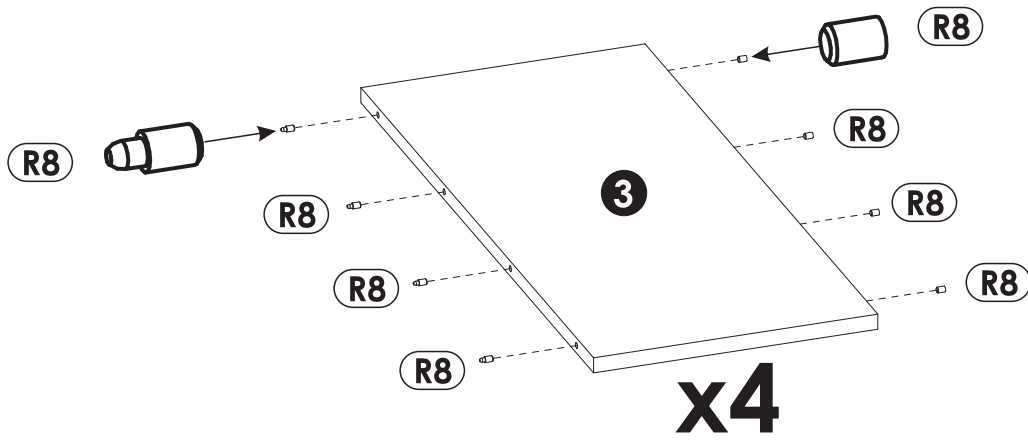
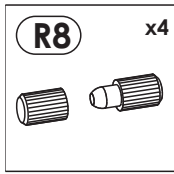


4 ▶

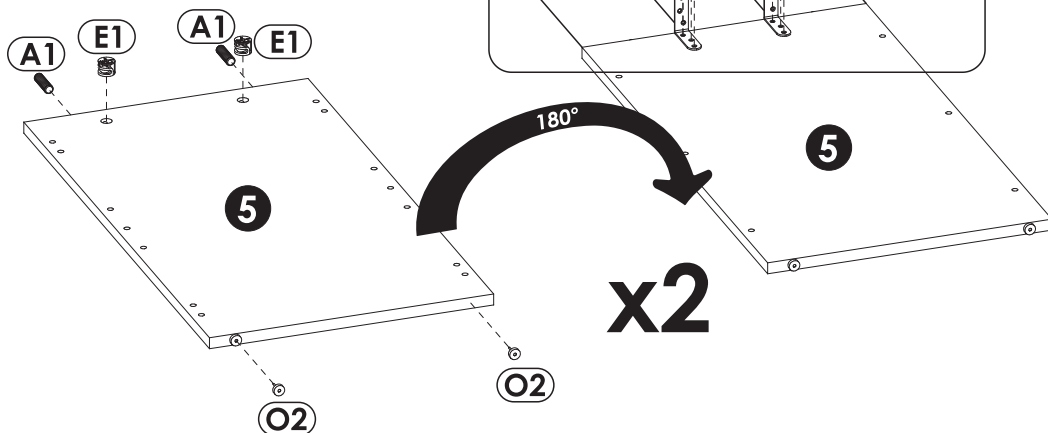
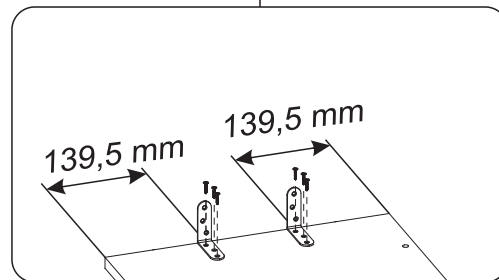
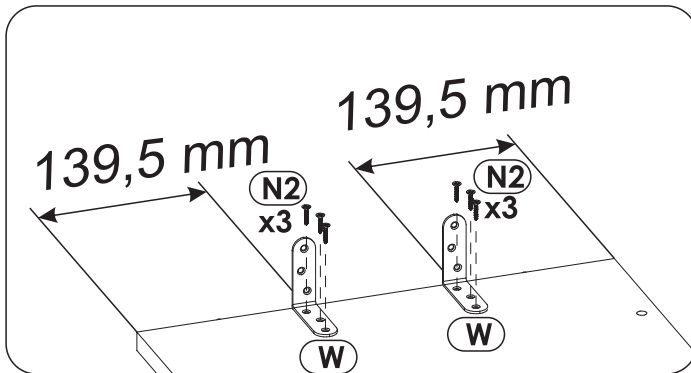
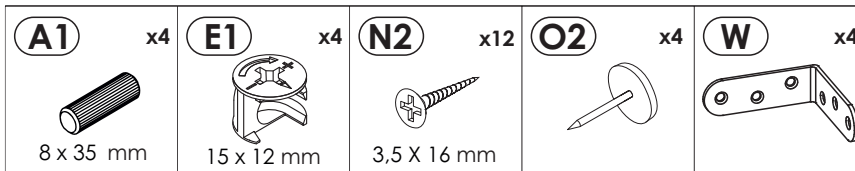
A1 x10  8 x 35 mm	E1 x4  15 x 12 mm	O2 x2 
---	---	---

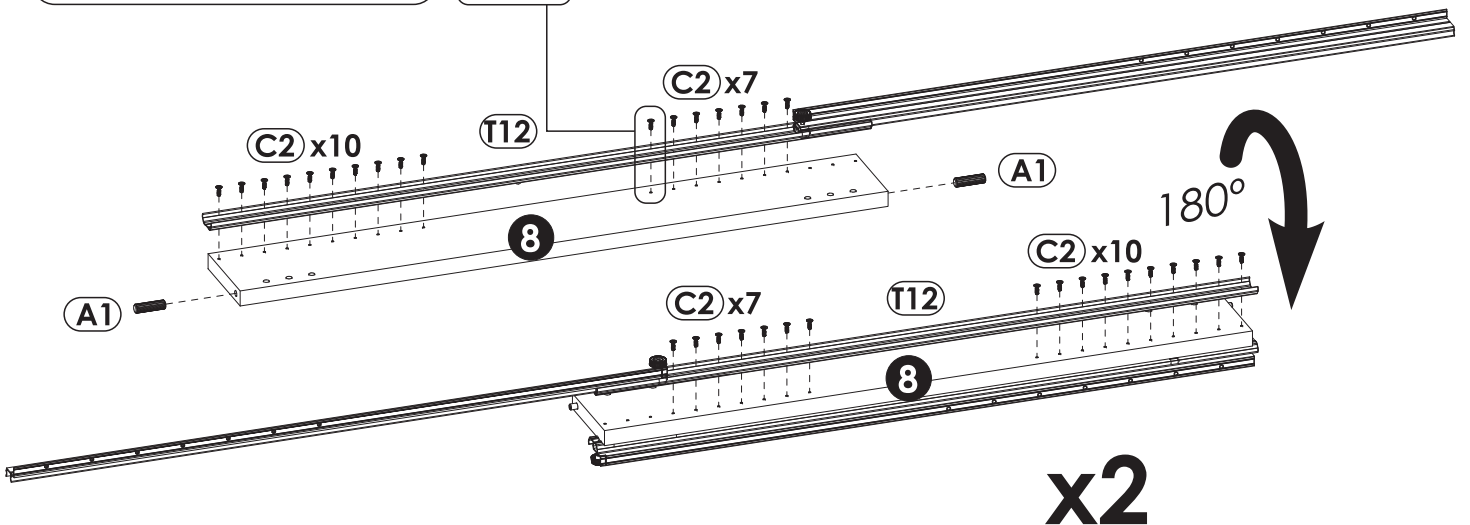
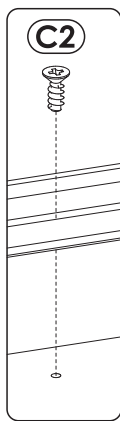
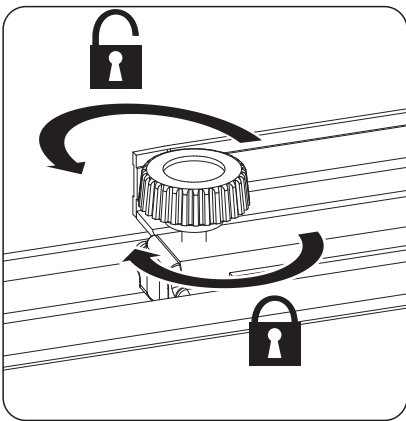
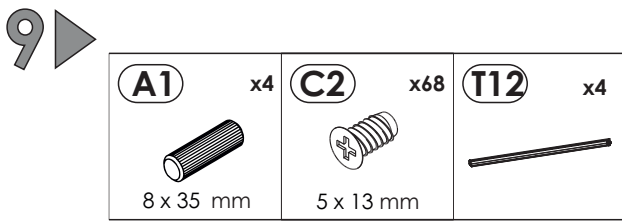
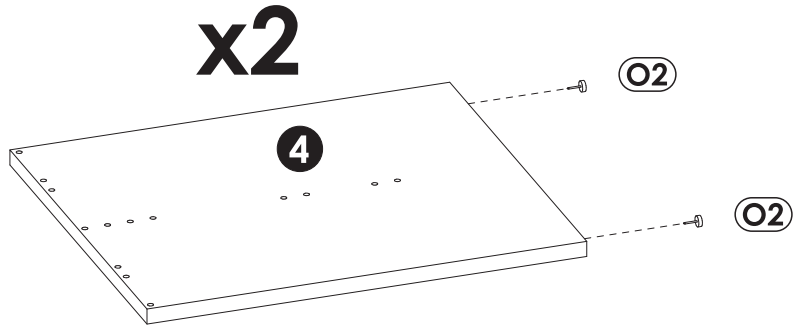
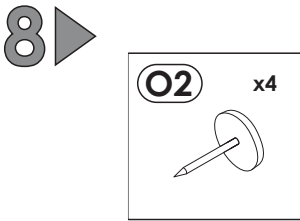
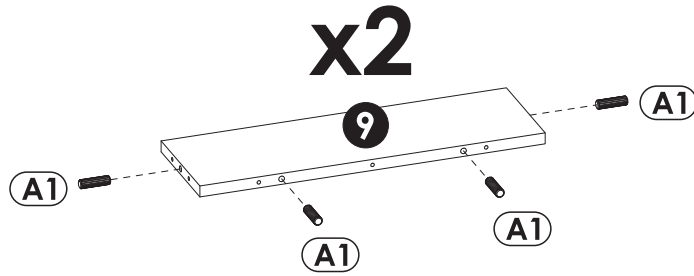
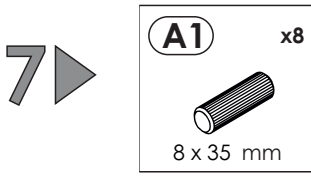


5 ▶

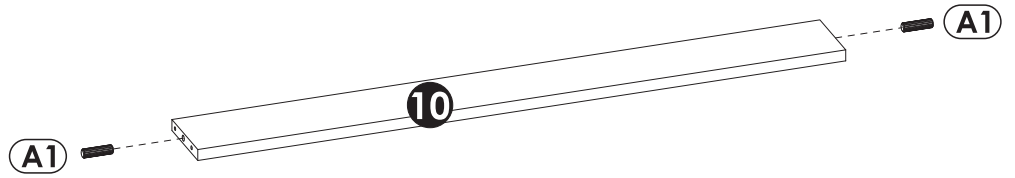
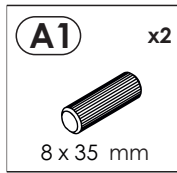


6 ▶

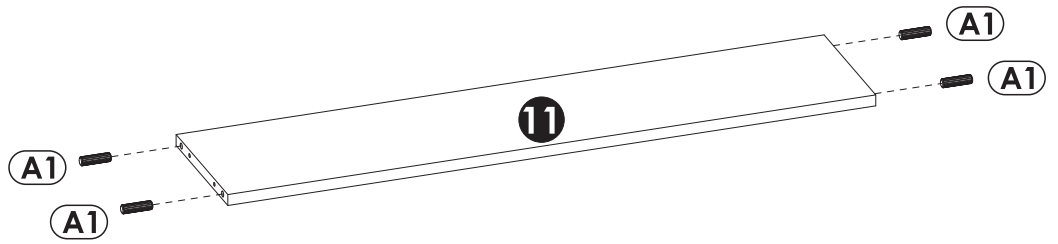
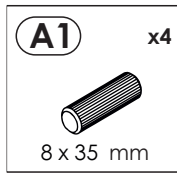




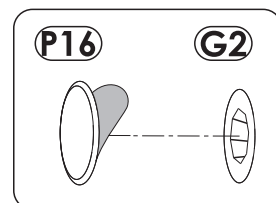
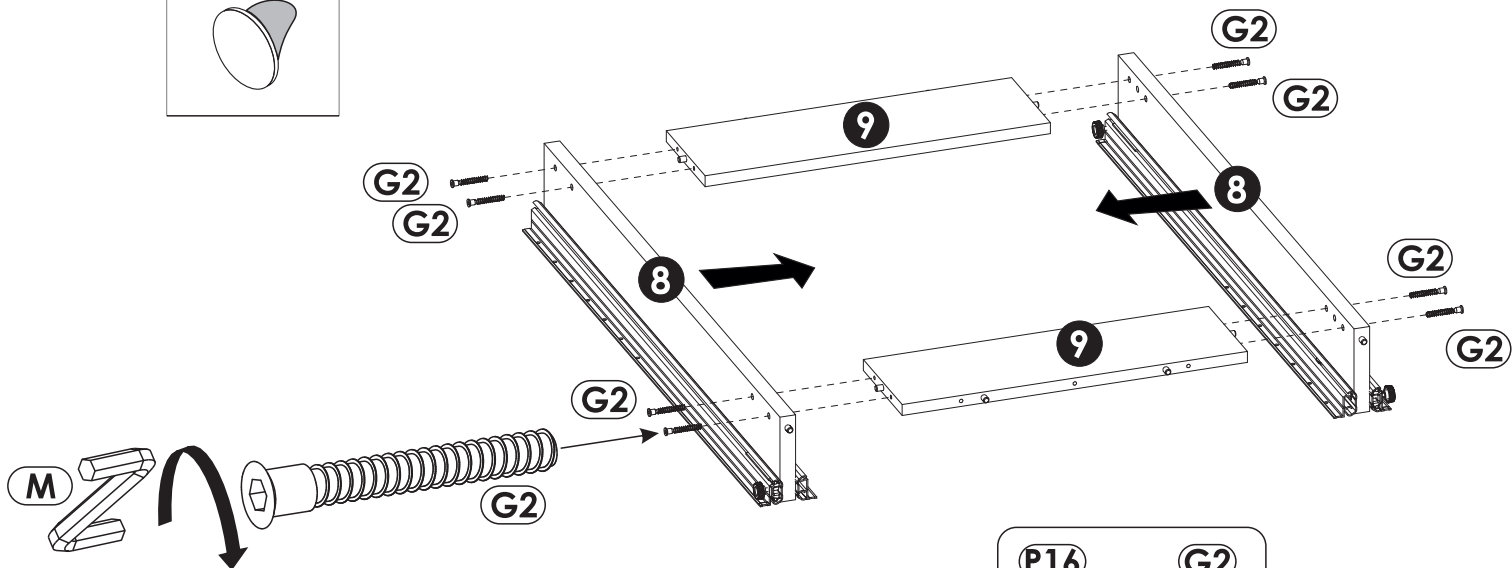
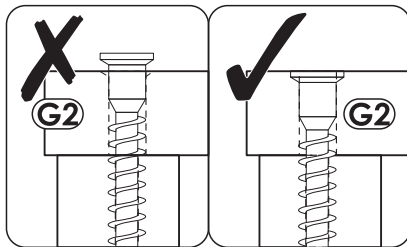
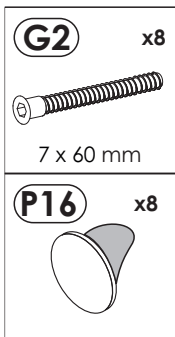
10▶



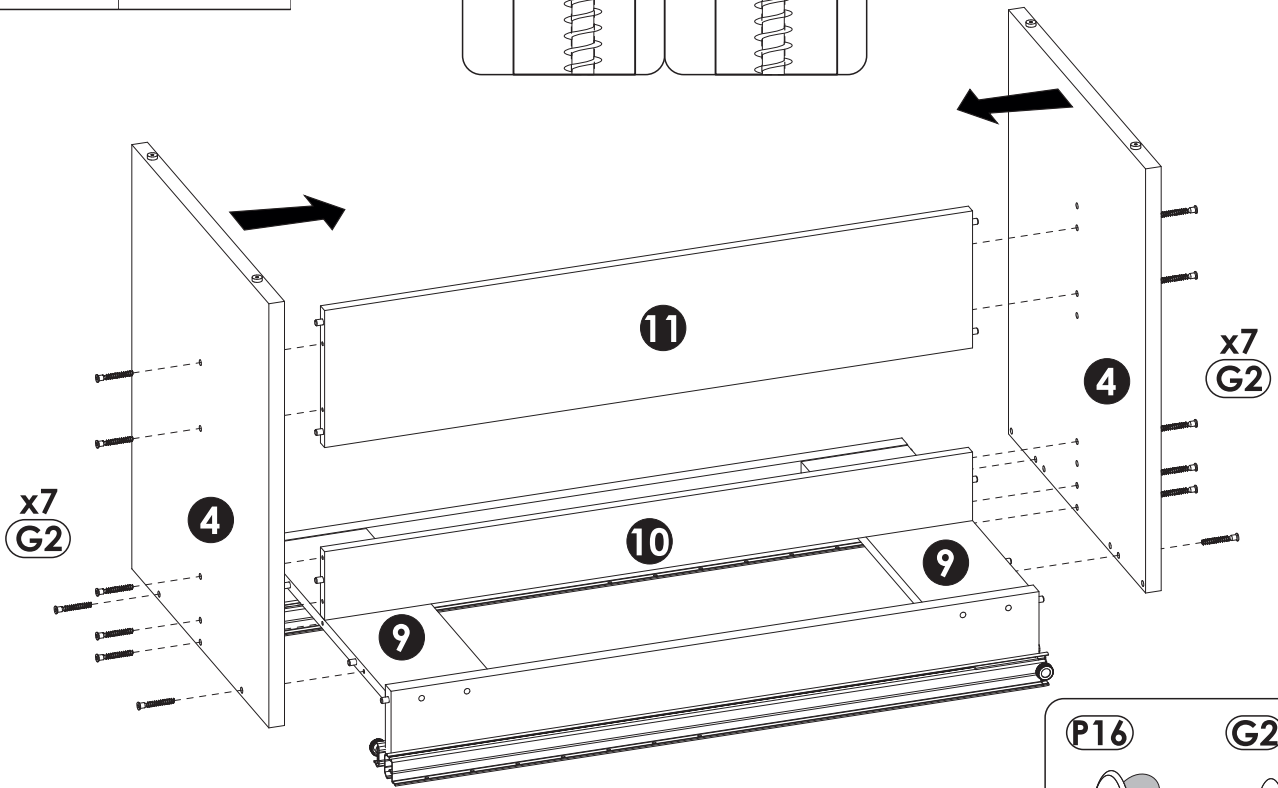
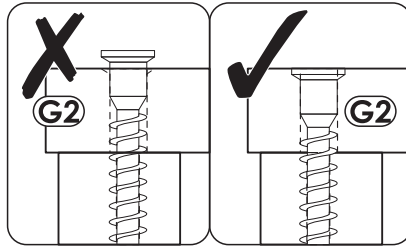
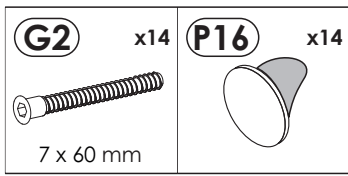
11▶



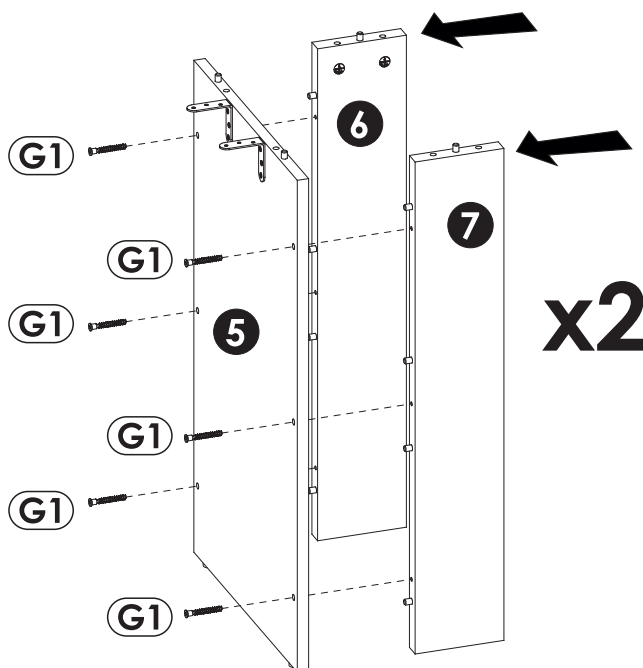
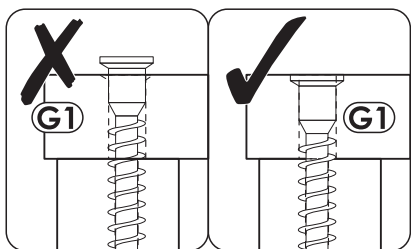
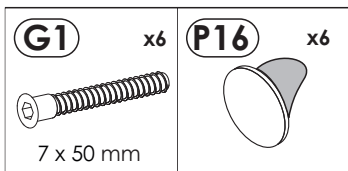
12▶



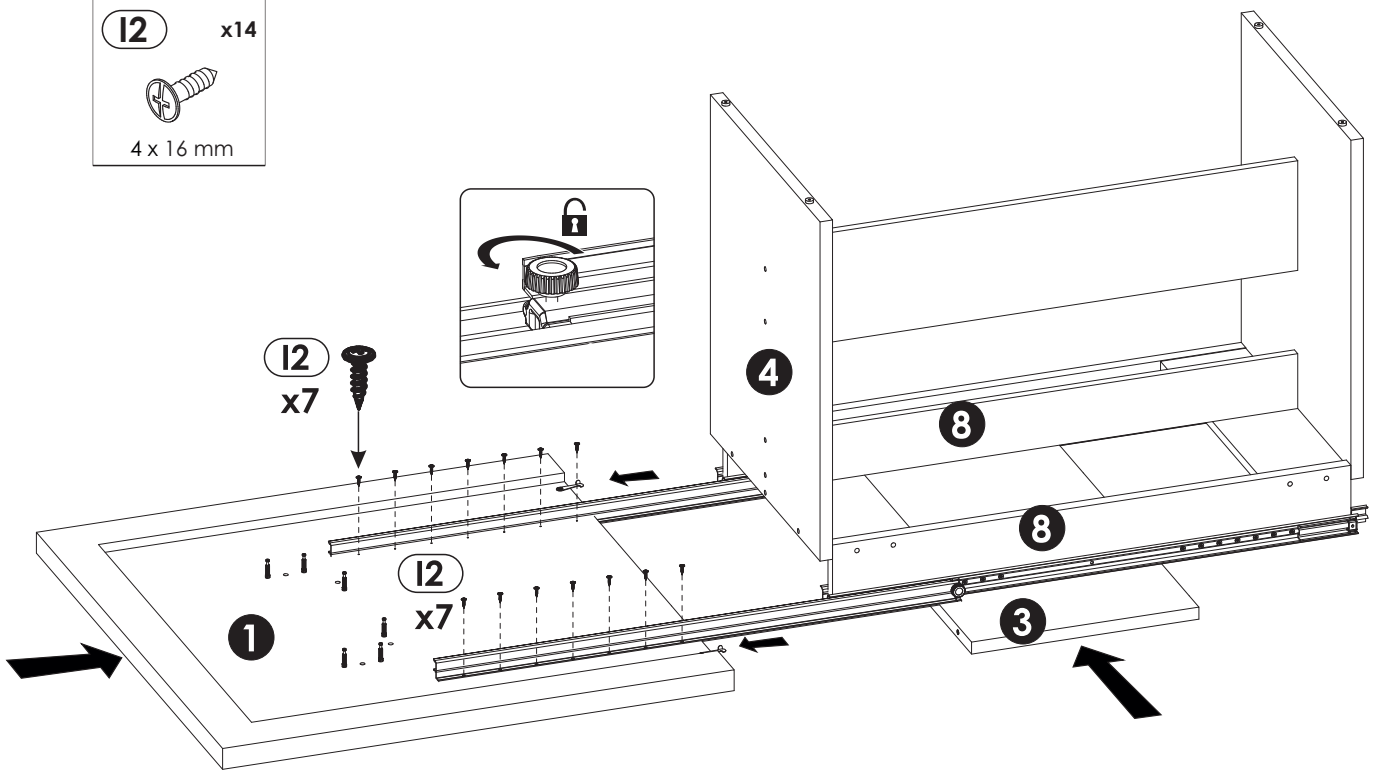
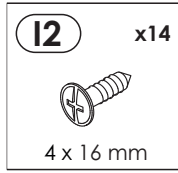
13 ▶



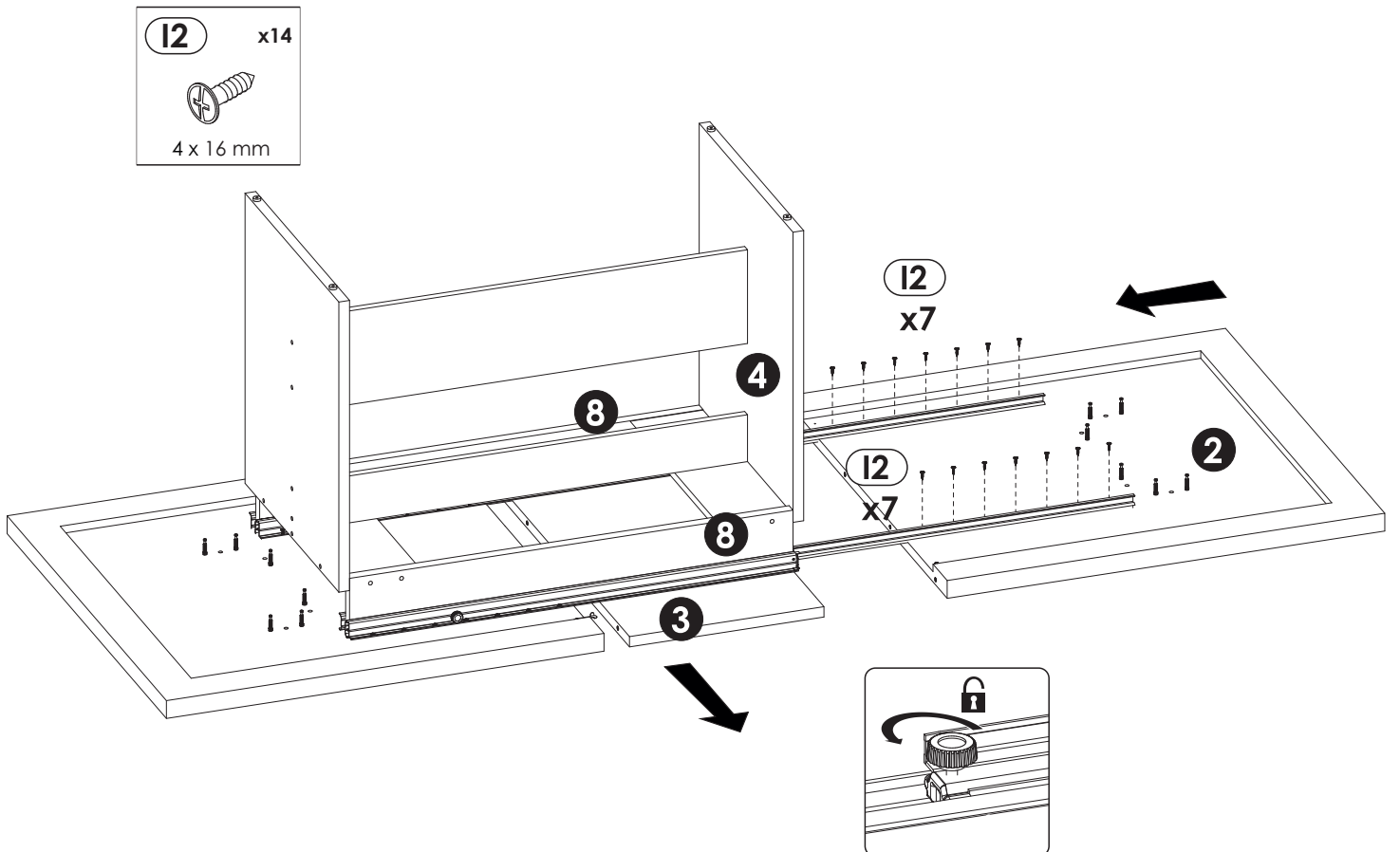
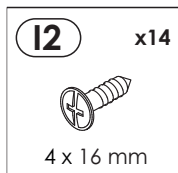
14 ▶



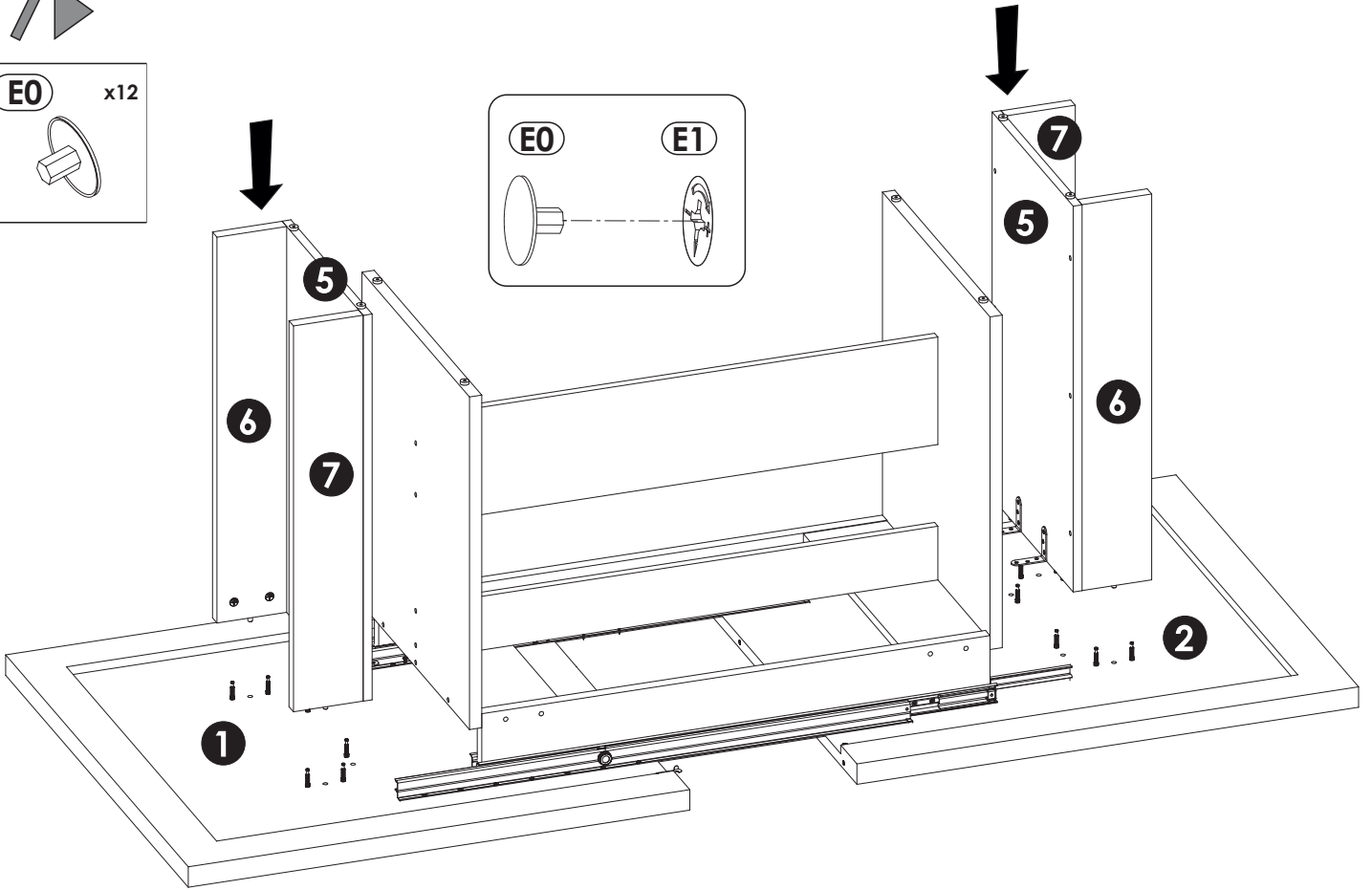
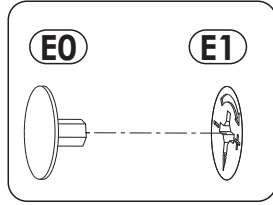
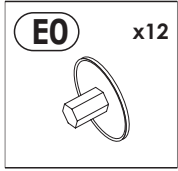
15 ▶



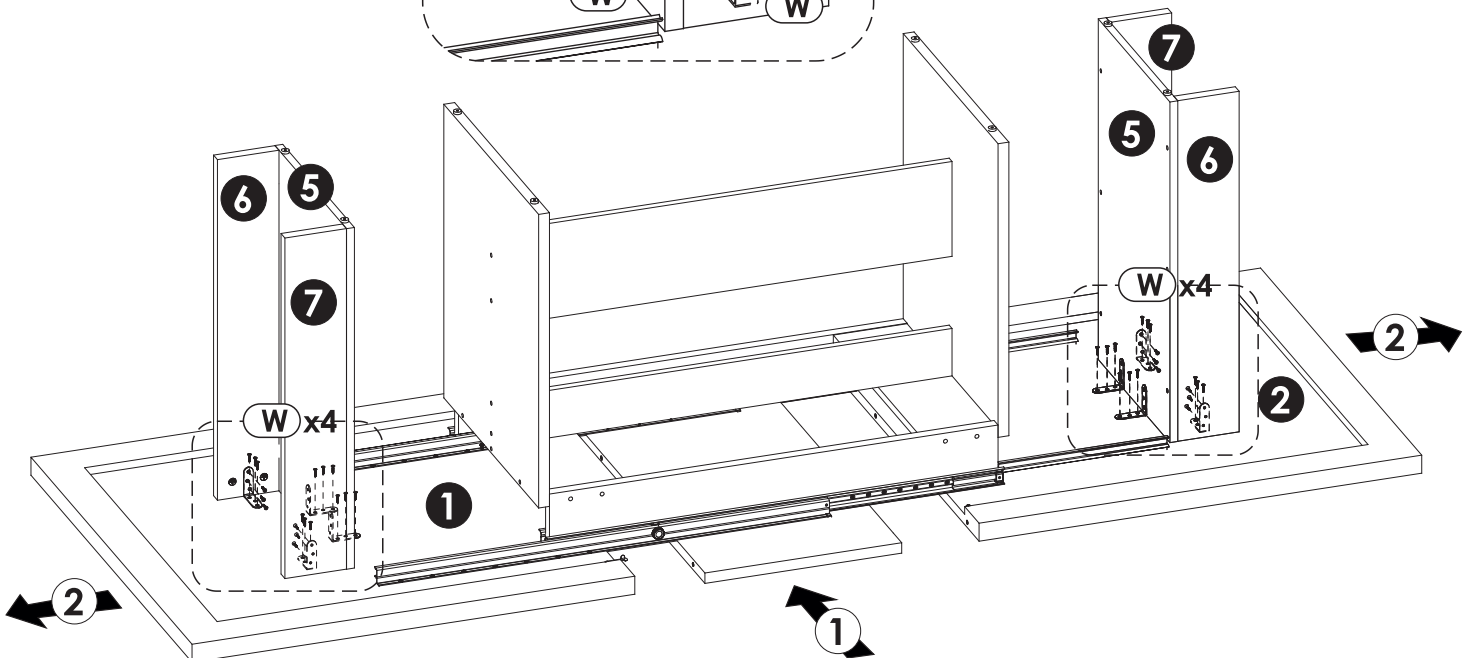
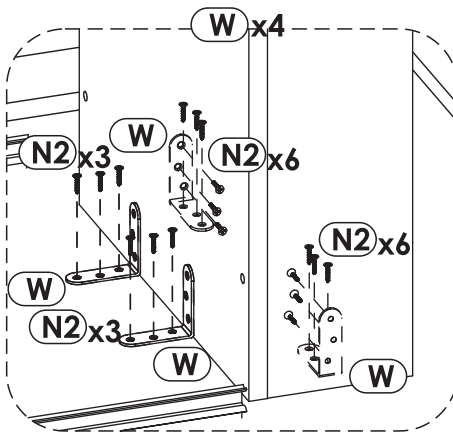
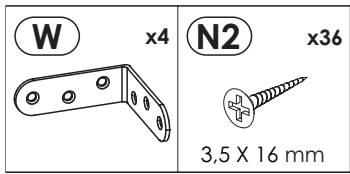
16 ▶



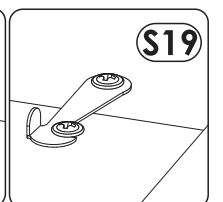
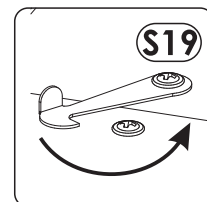
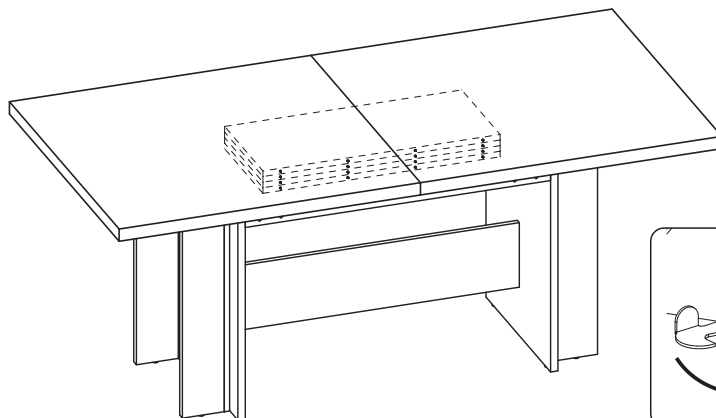
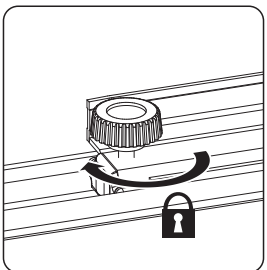
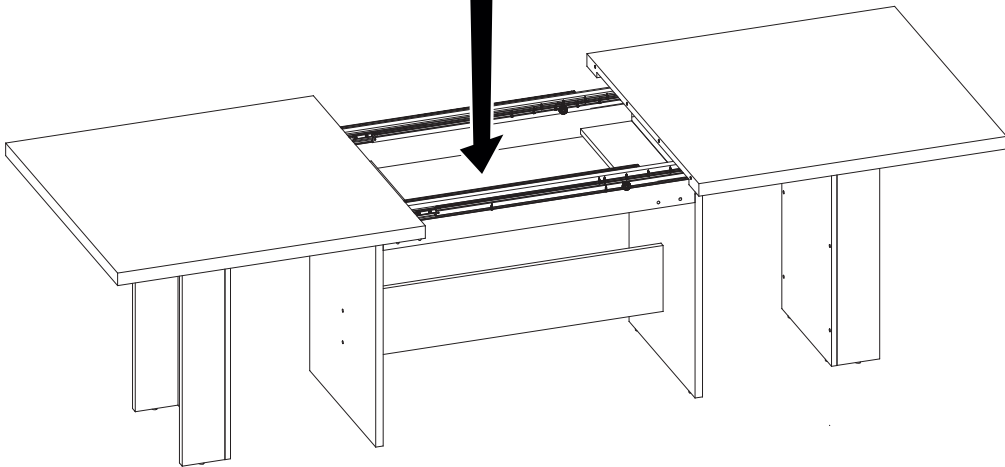
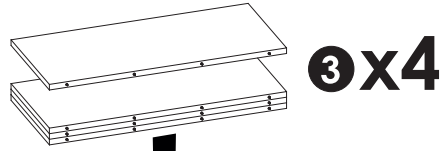
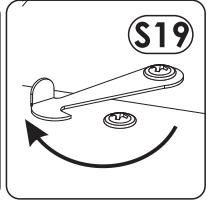
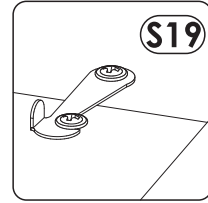
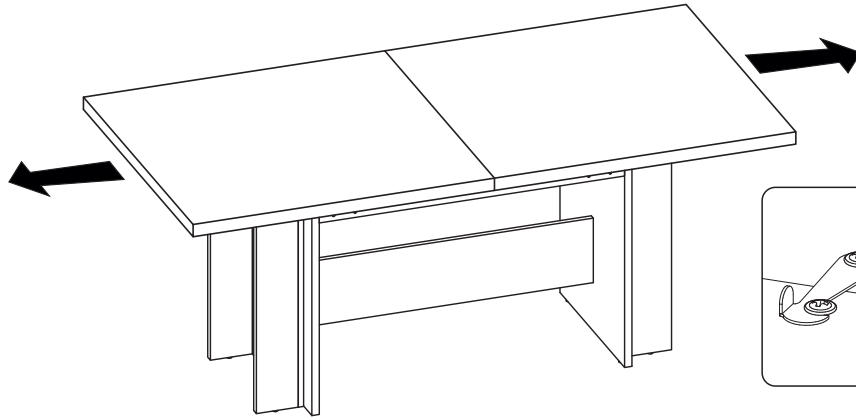
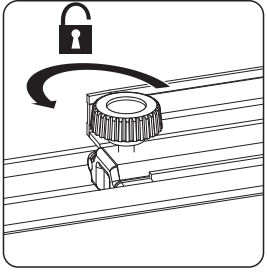
17▶



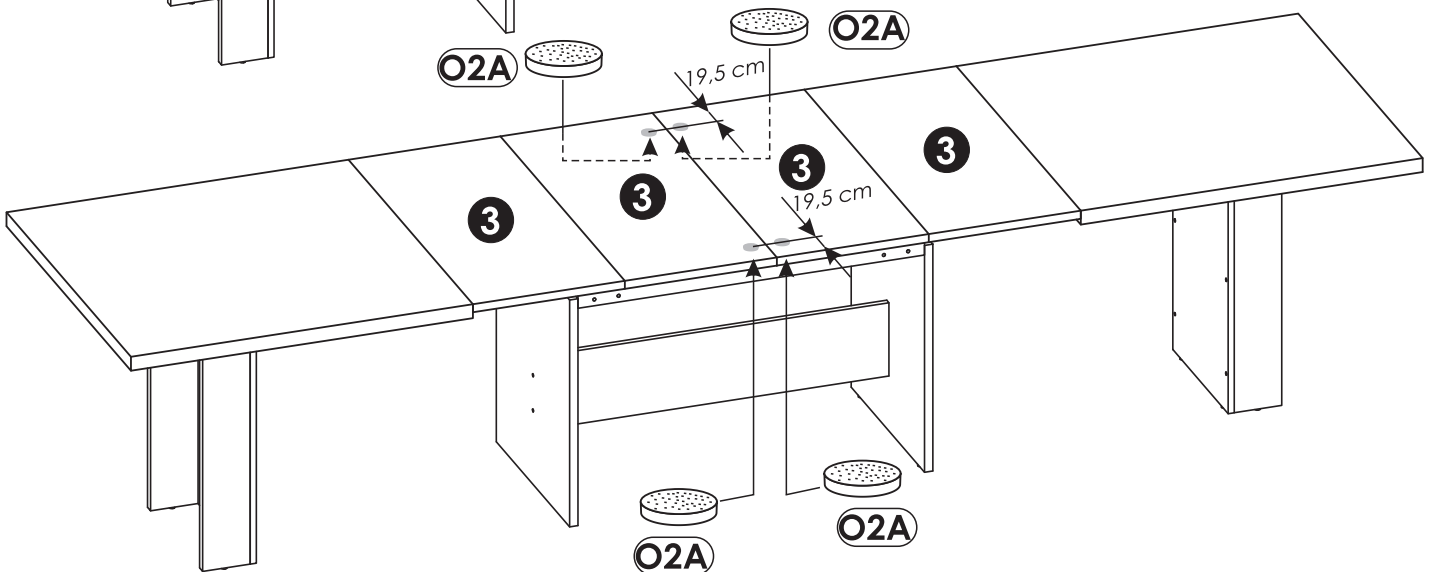
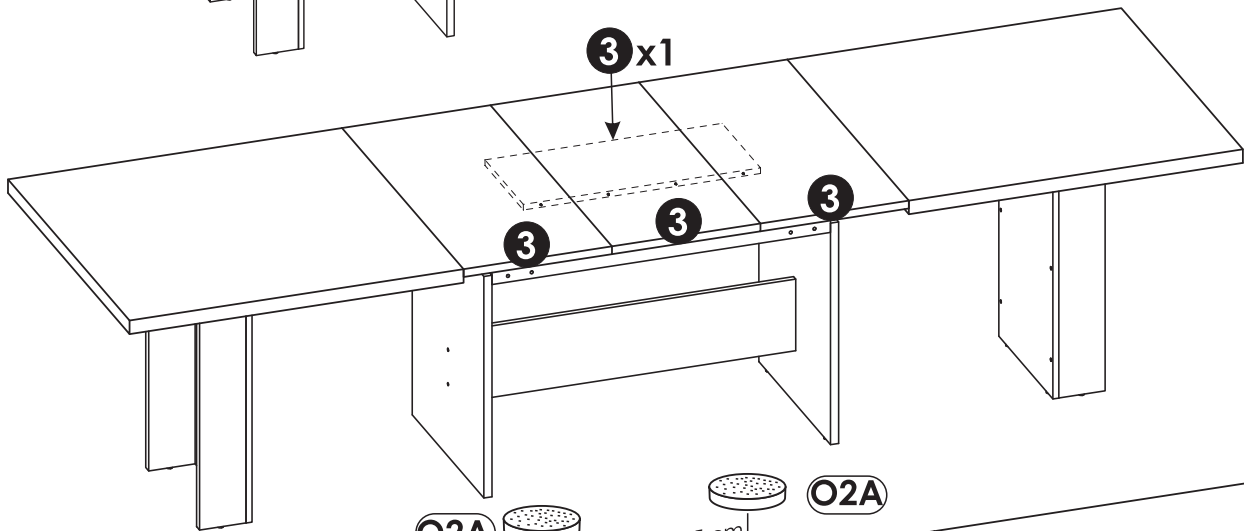
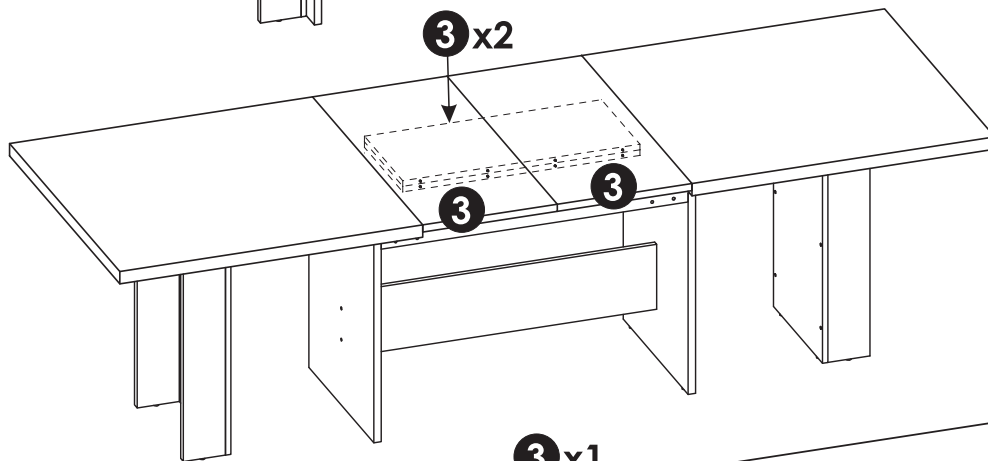
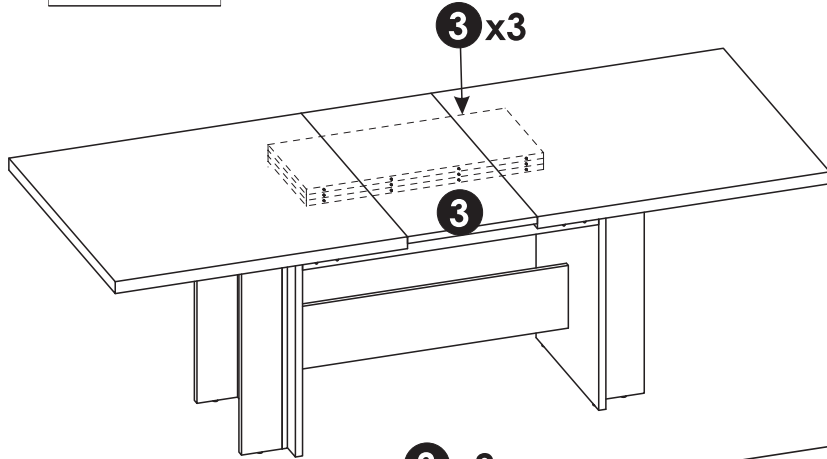
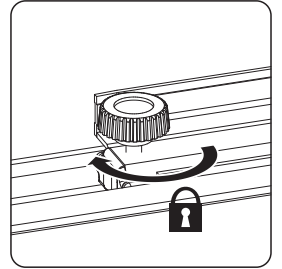
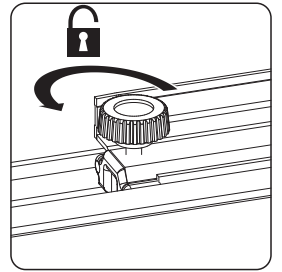
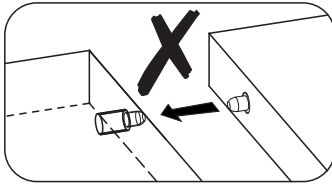
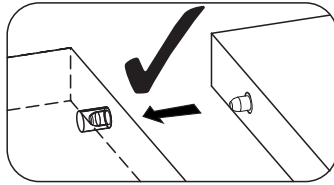
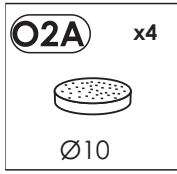
18▶



19▶



20 ▶



21▶

