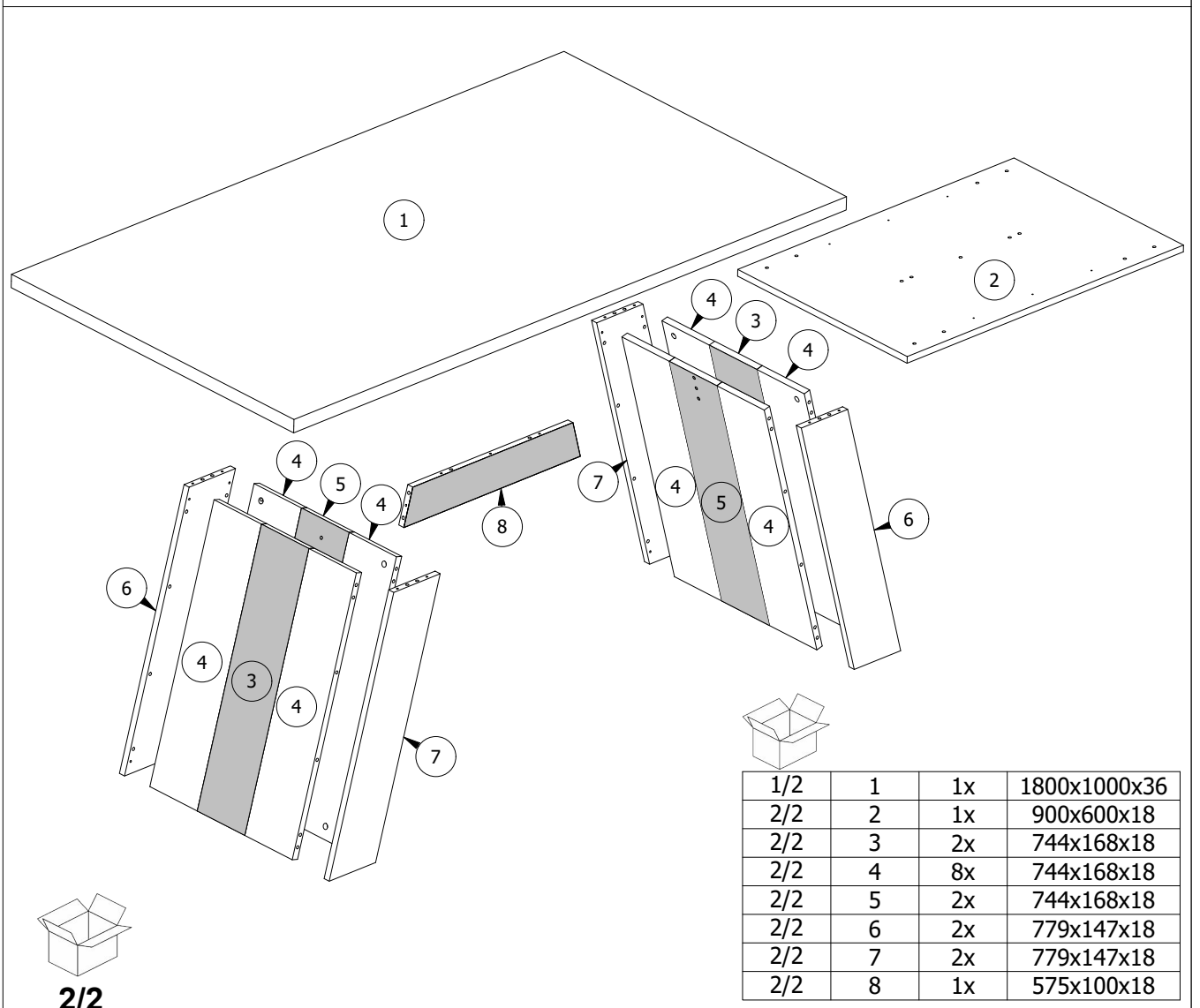
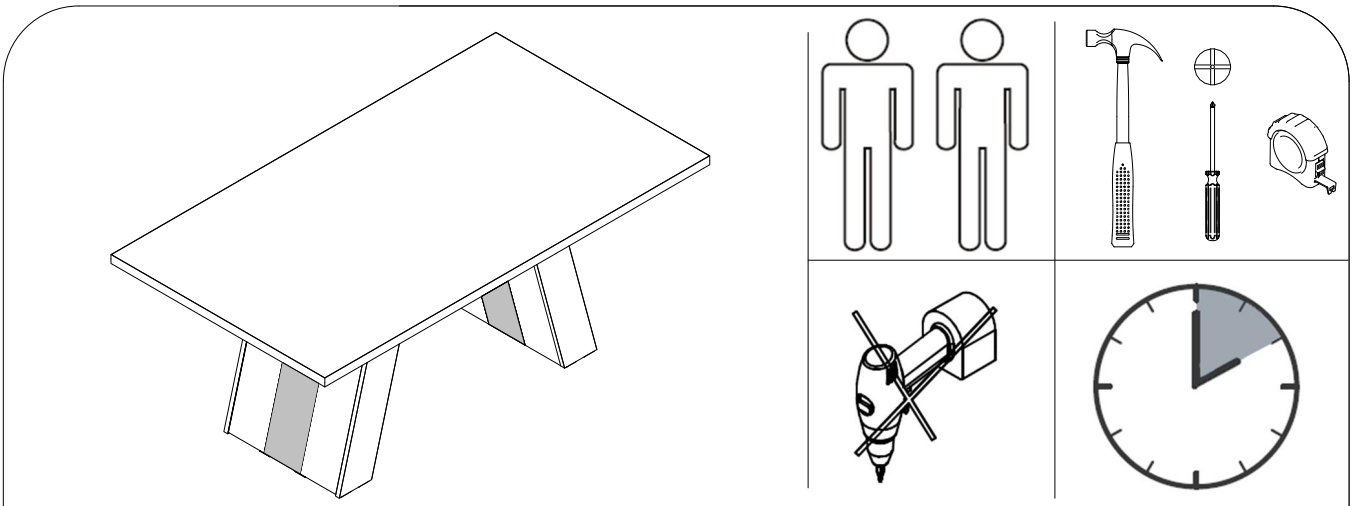
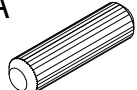
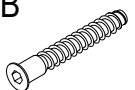
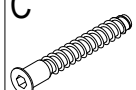
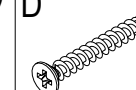
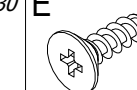
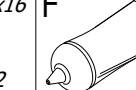
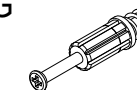

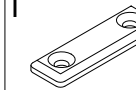
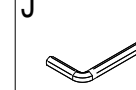


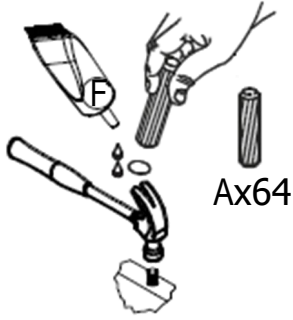
Tindari



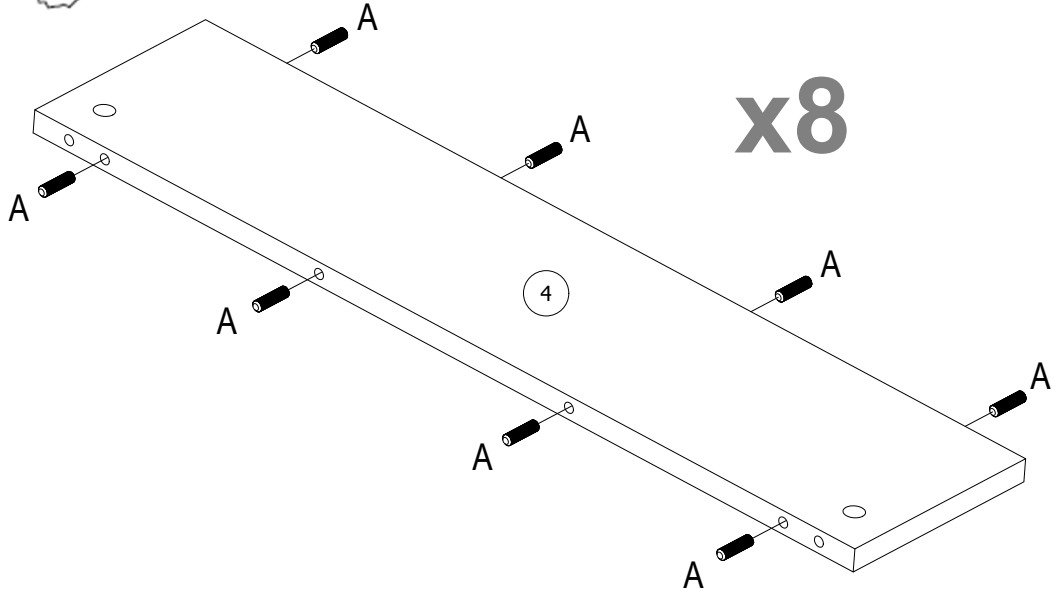
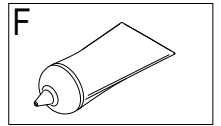
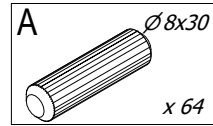
1/2	1	1x	1800x1000x36
2/2	2	1x	900x600x18
2/2	3	2x	744x168x18
2/2	4	8x	744x168x18
2/2	5	2x	744x168x18
2/2	6	2x	779x147x18
2/2	7	2x	779x147x18
2/2	8	1x	575x100x18

A	 $\text{Ø } 8 \times 30$ x 80	B	 $\text{Ø } 7 \times 70$ x 11	C	 $\text{Ø } 7 \times 50$ x 2	D	 $\text{Ø } 3.5 \times 30$ x 6	E	 $\text{Ø } 3.5 \times 16$ x 32	F	 x 8
G	 x 16	H	 x 16	I	 x 16	J	 SW4 x 1				

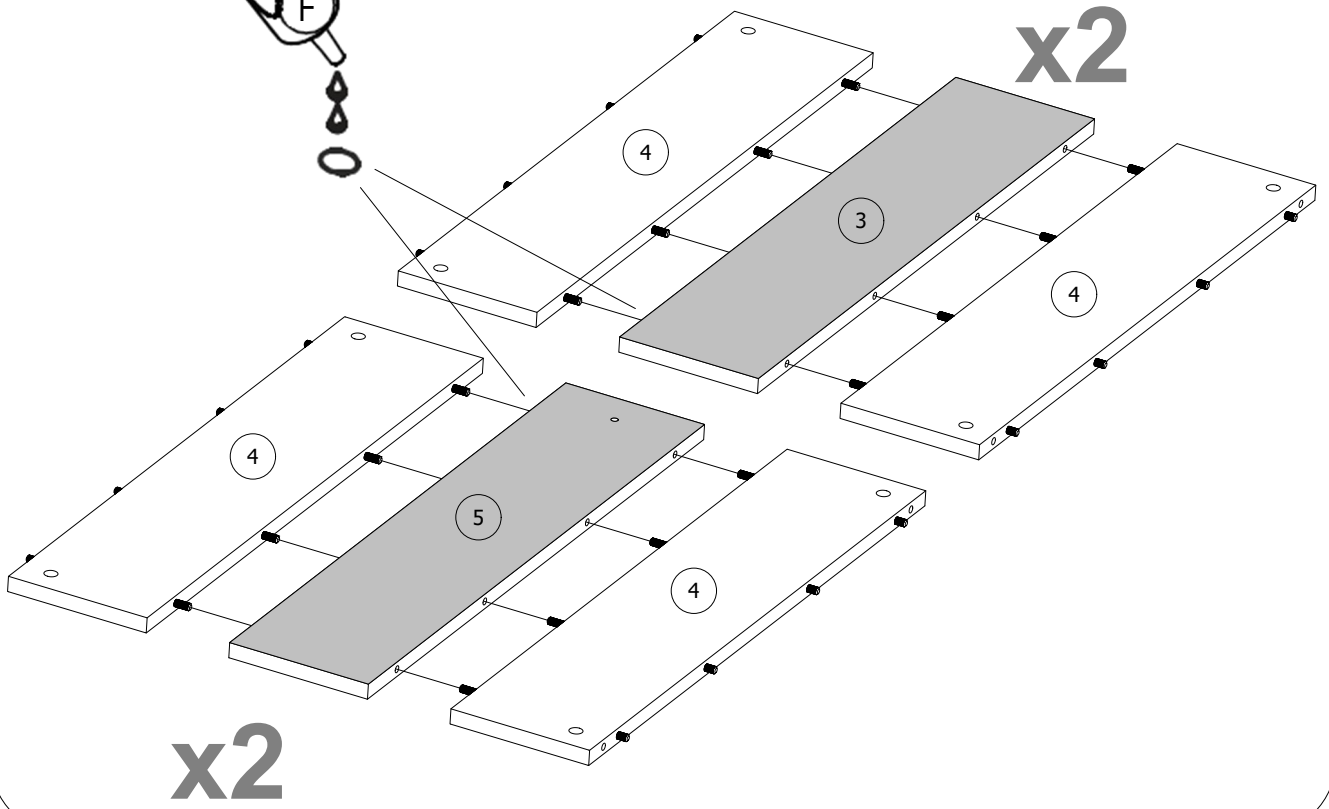
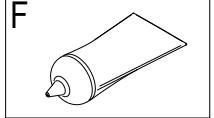
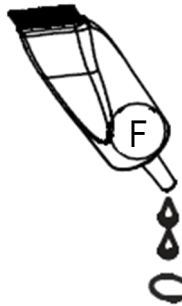
I.



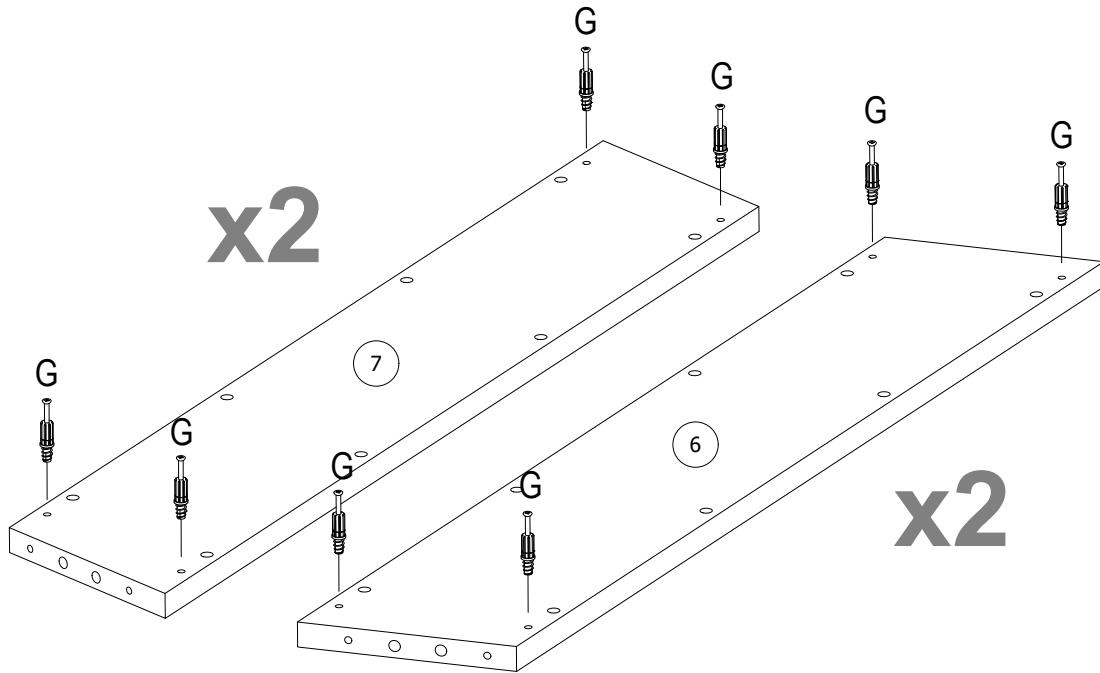
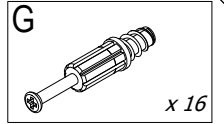
Ax64



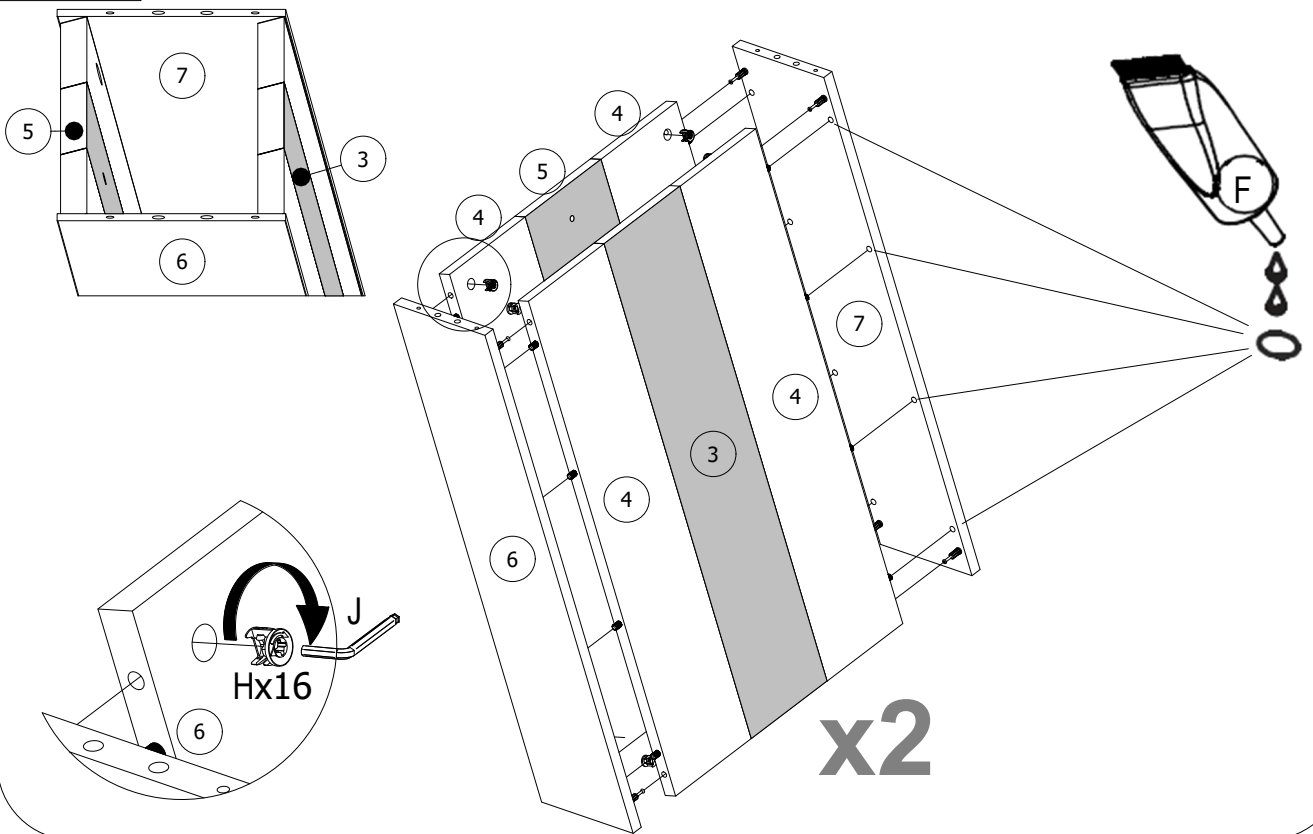
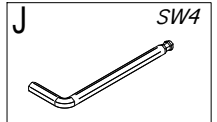
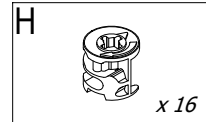
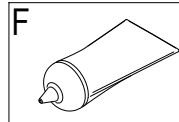
II.



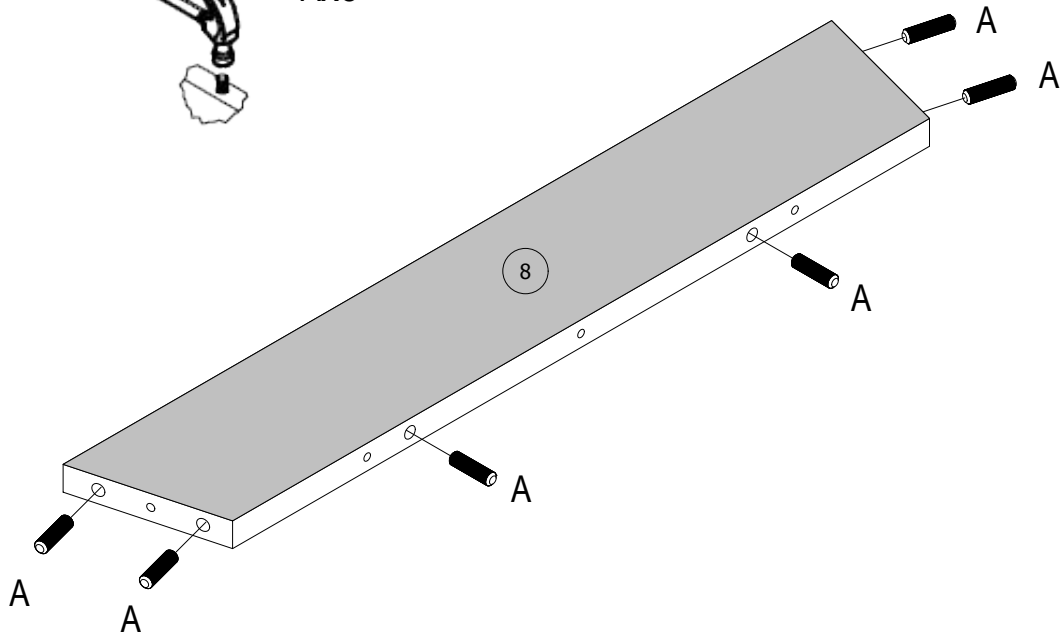
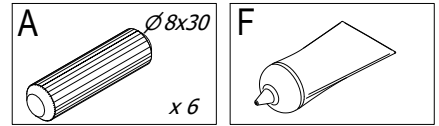
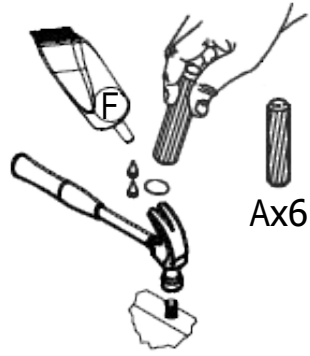
III.



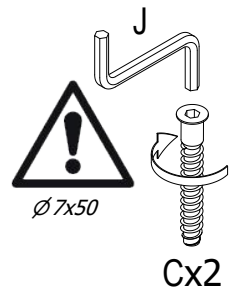
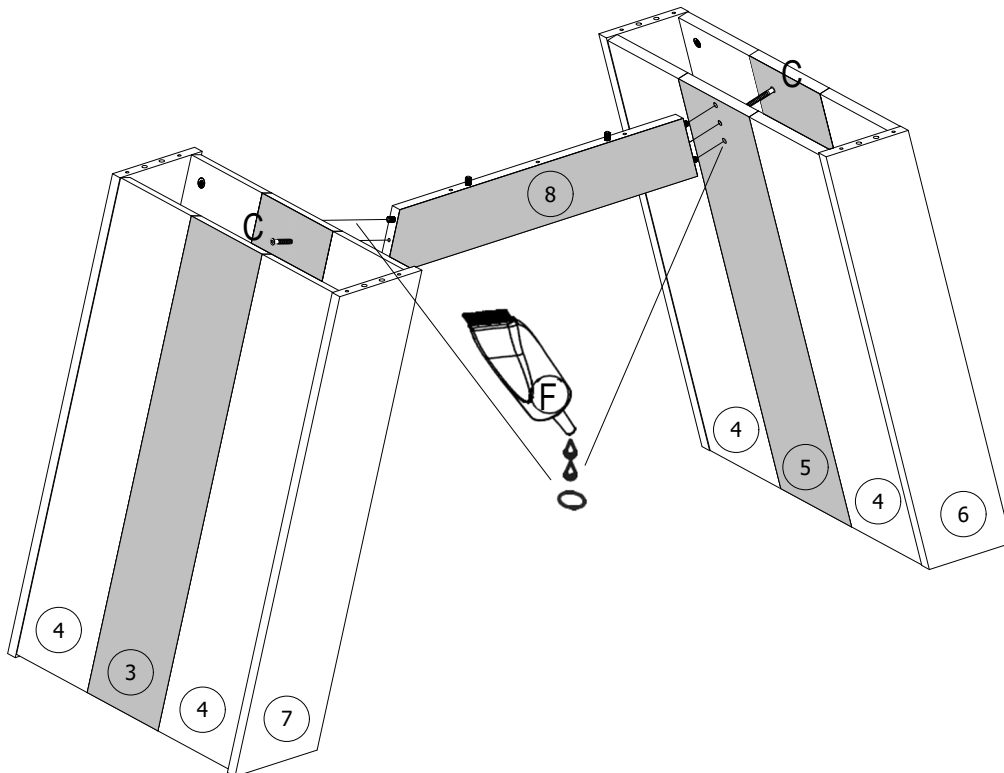
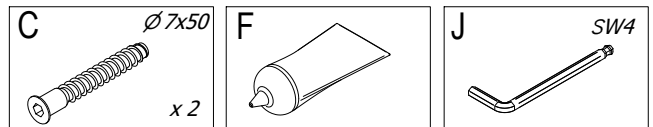
IV.



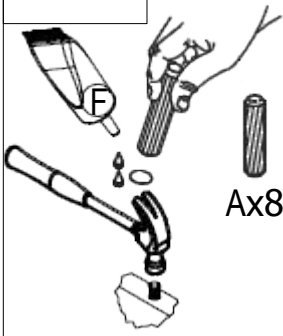
V.



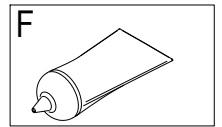
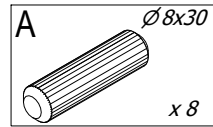
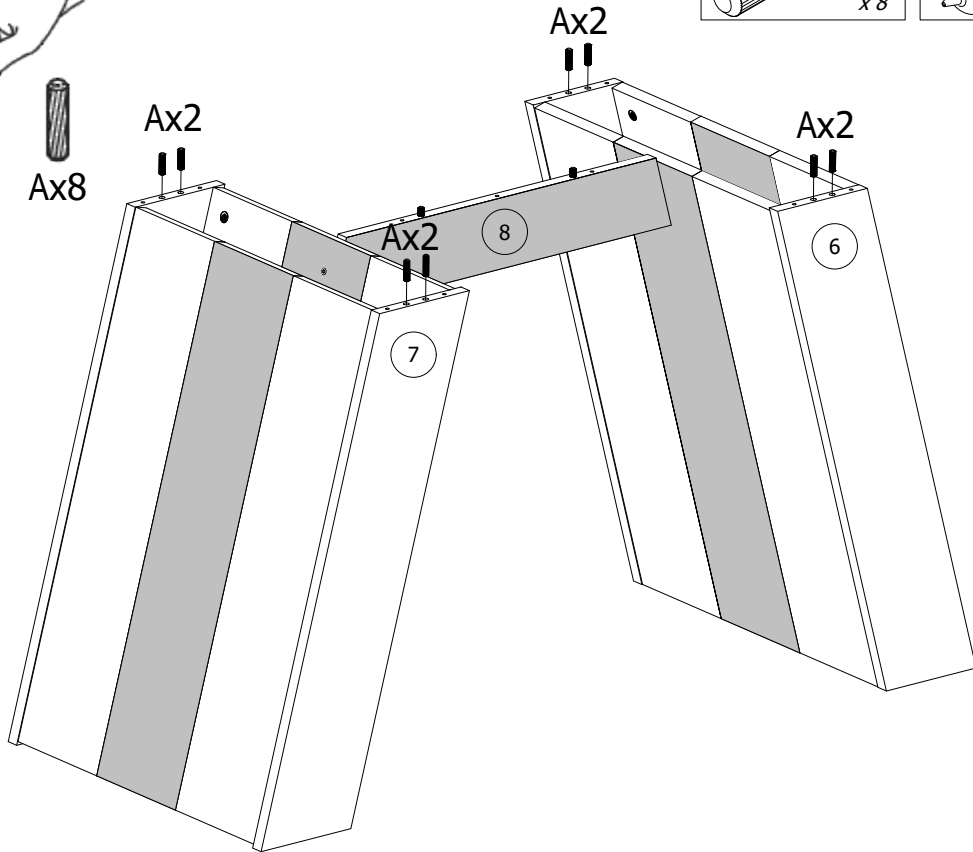
VI.



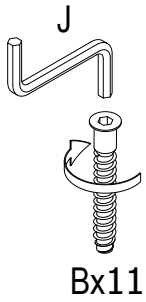
VII.



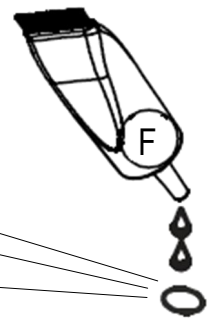
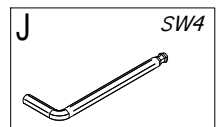
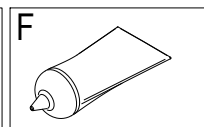
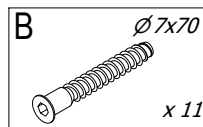
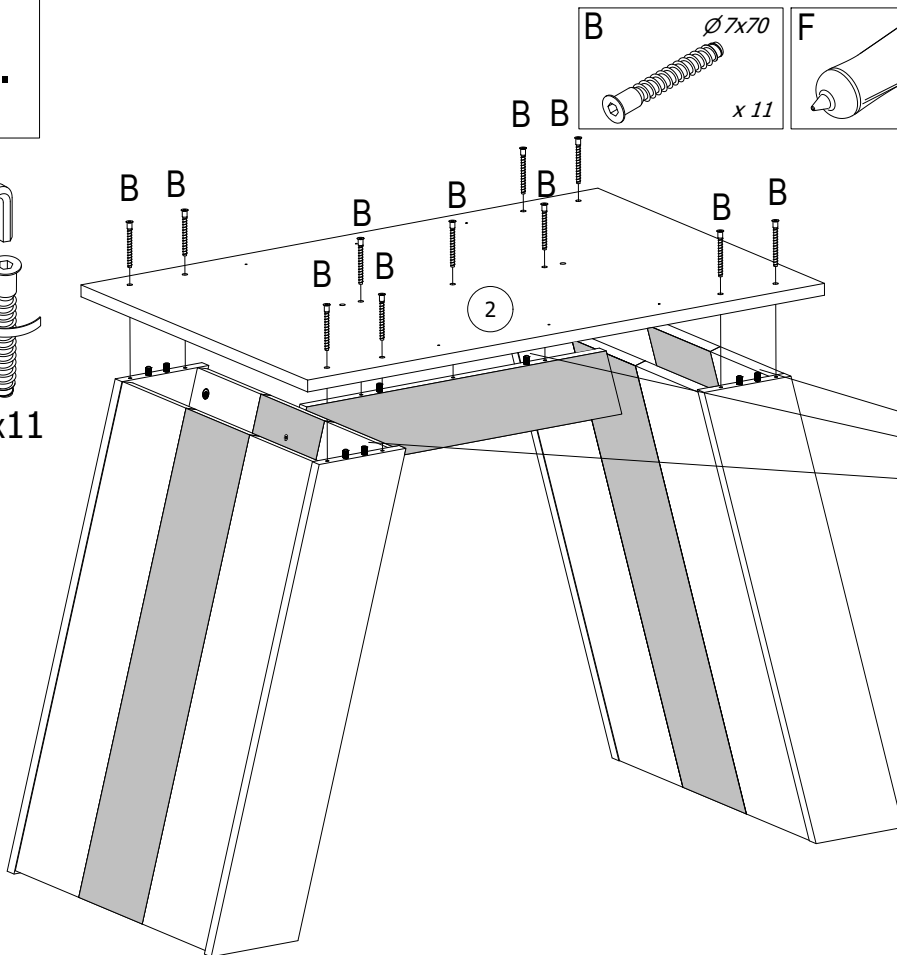
Ax8



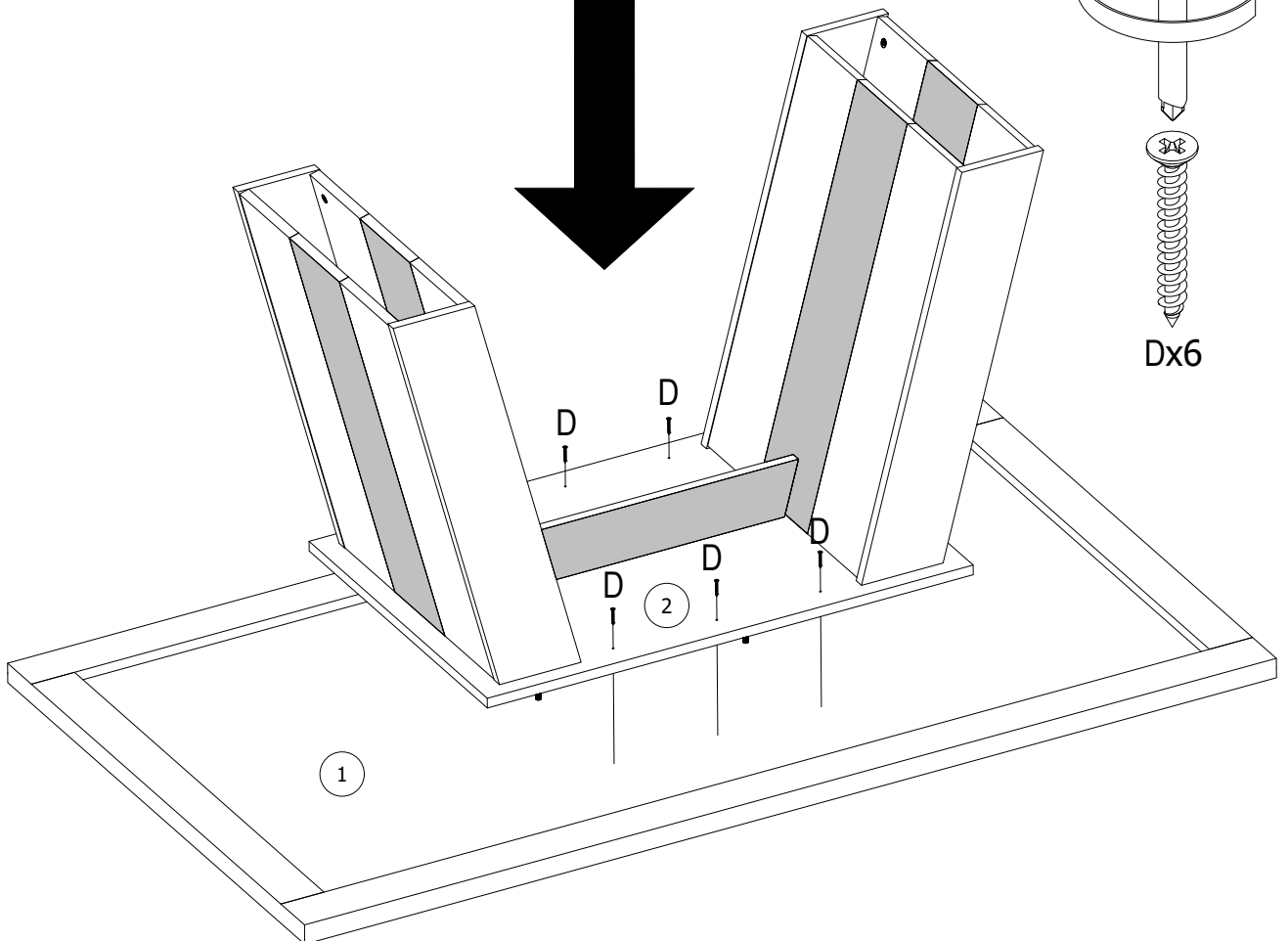
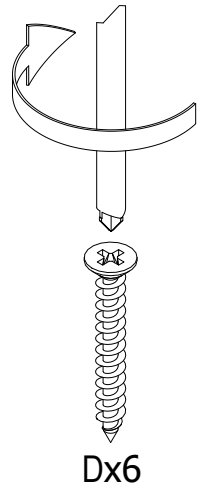
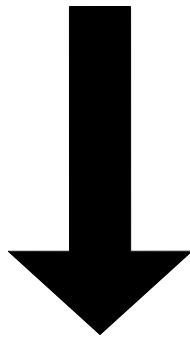
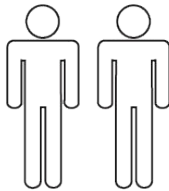
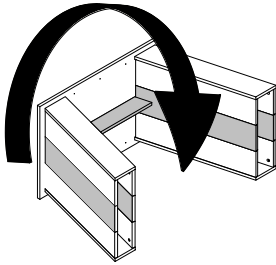
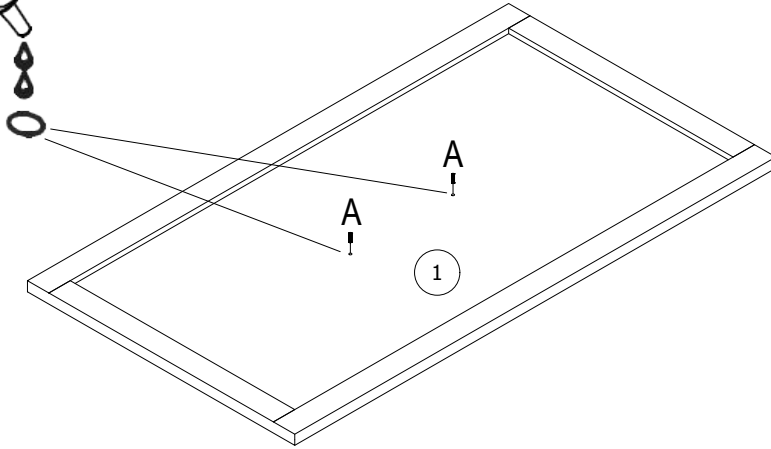
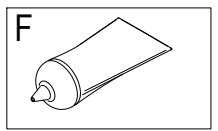
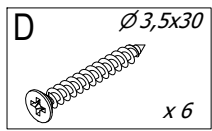
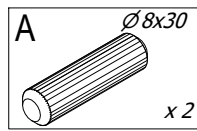
VIII.



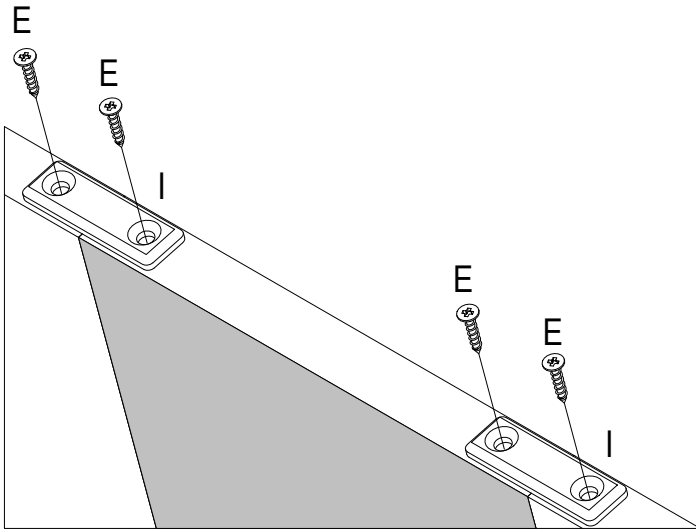
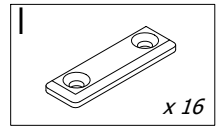
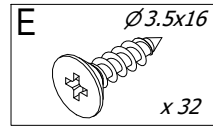
Bx11



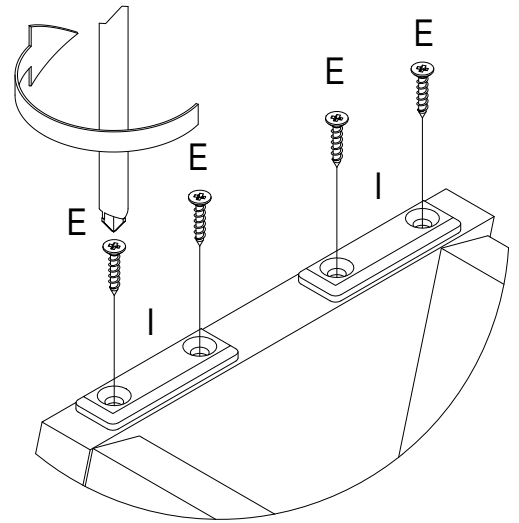
IX.



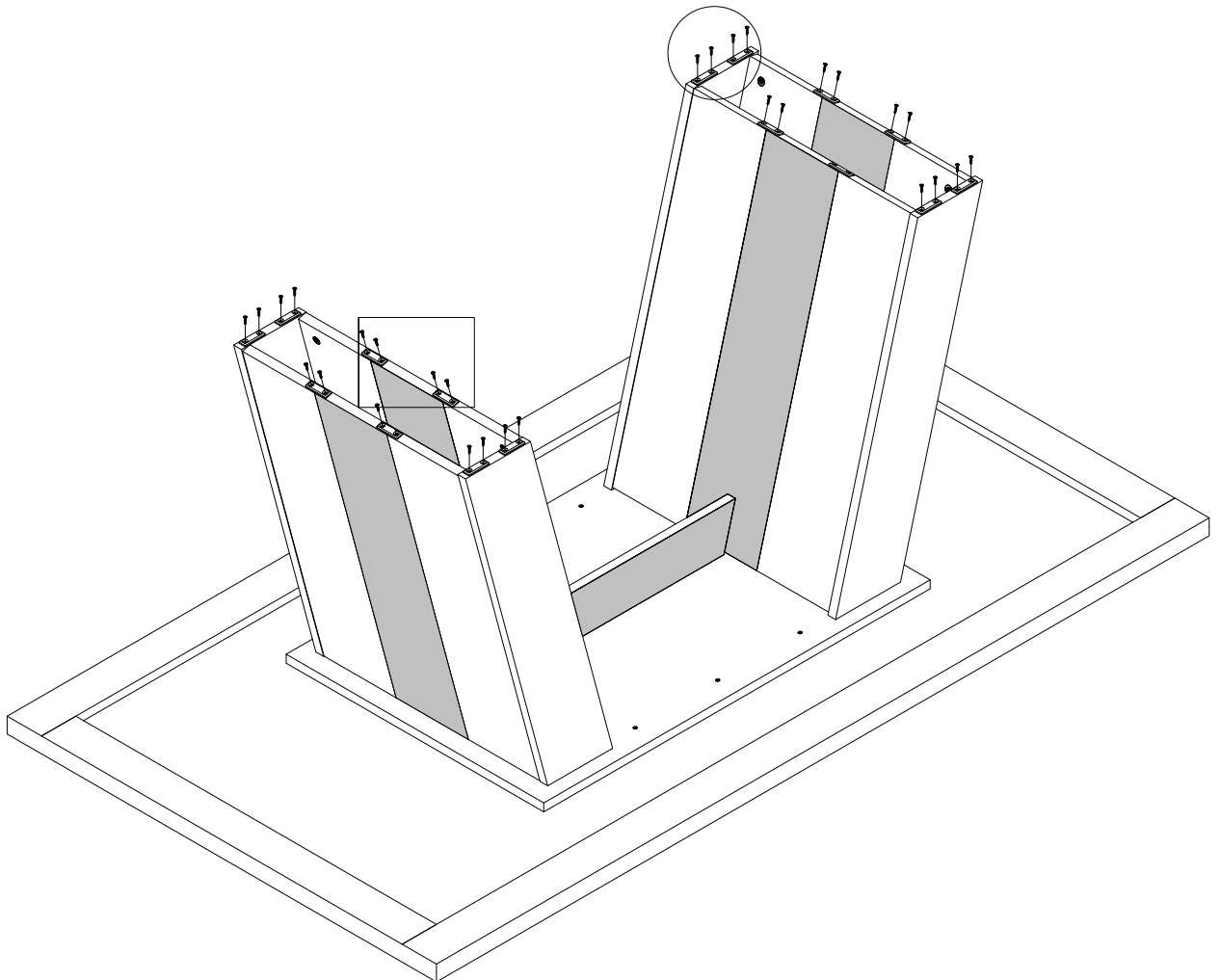
X.



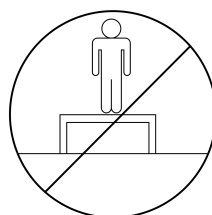
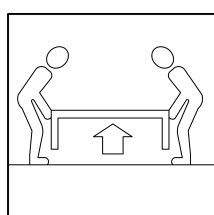
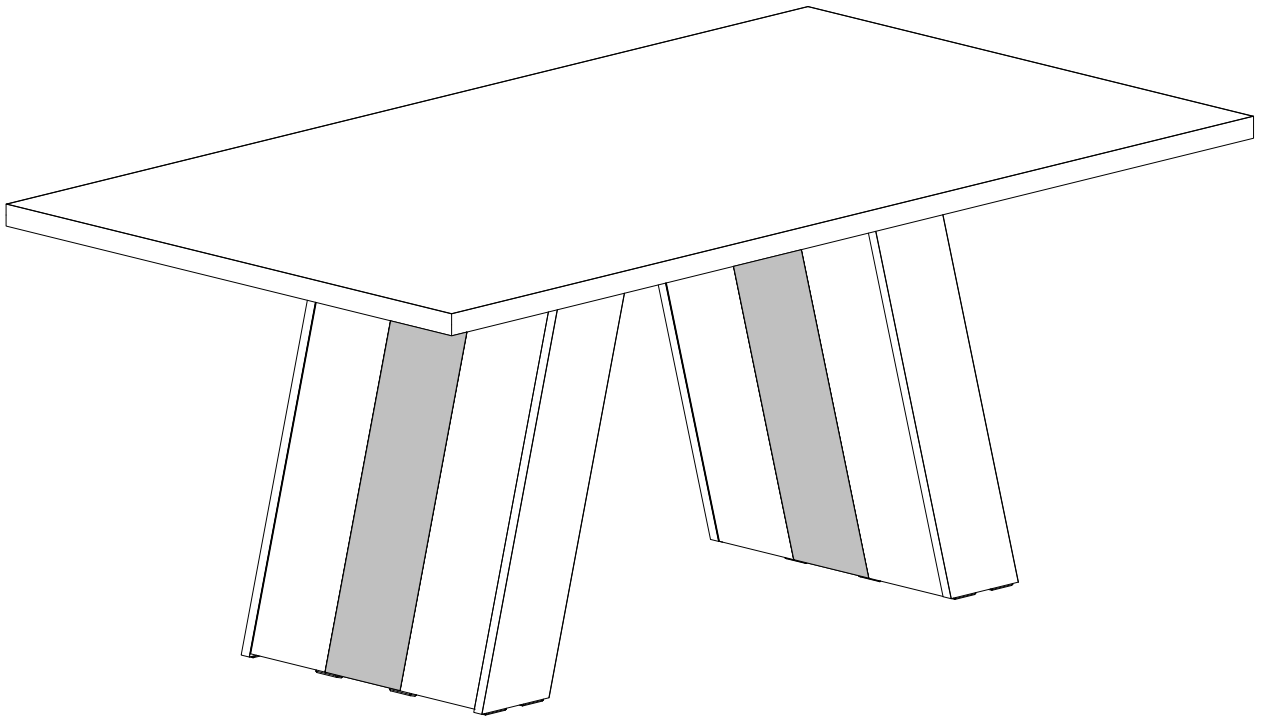
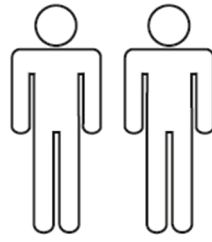
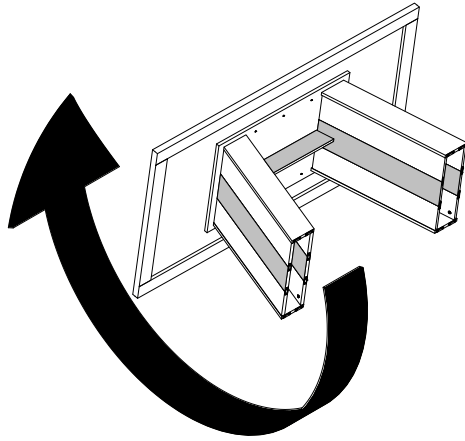
x4



x4



XI.



Séparez les éléments avant de trier