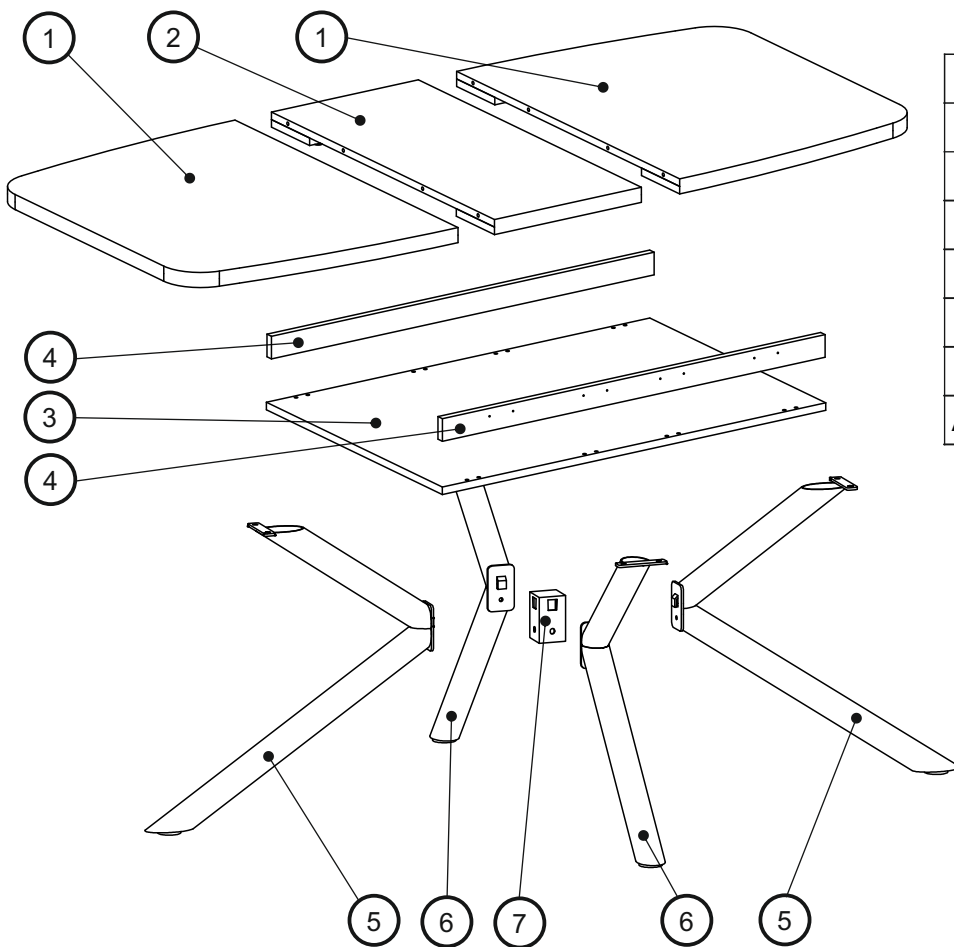
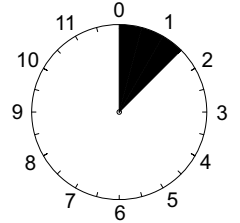
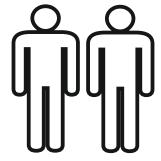
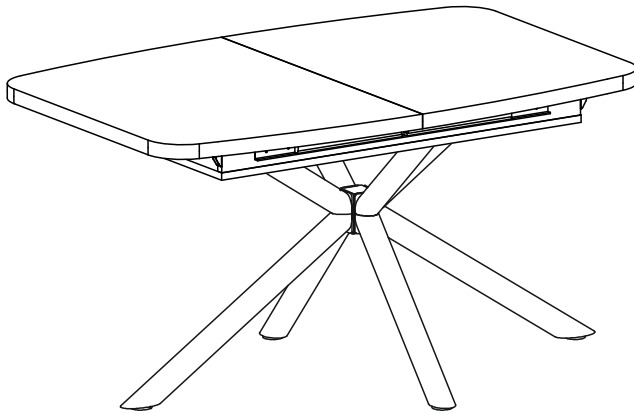

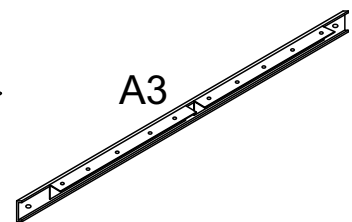
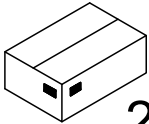
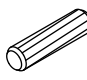
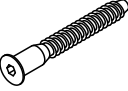

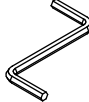
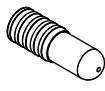


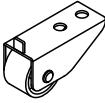

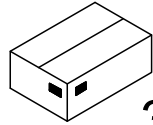
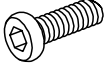




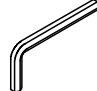



ORION

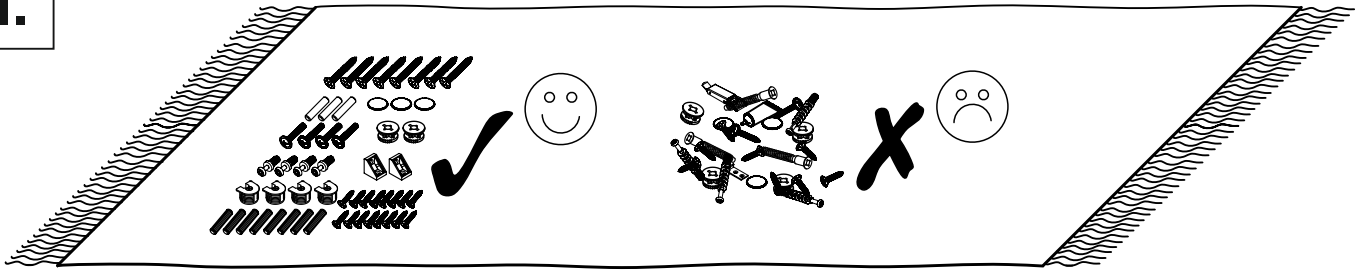


			
1	2X	900X700X36	1/3
2	1X	900X400X36	2/3
3	1X	1044X710X18	2/3
4	2X	1042X54X18	2/3
5	2X		3/3
6	2X		3/3
7	1X		3/3
A3	2X	L=850	2/3

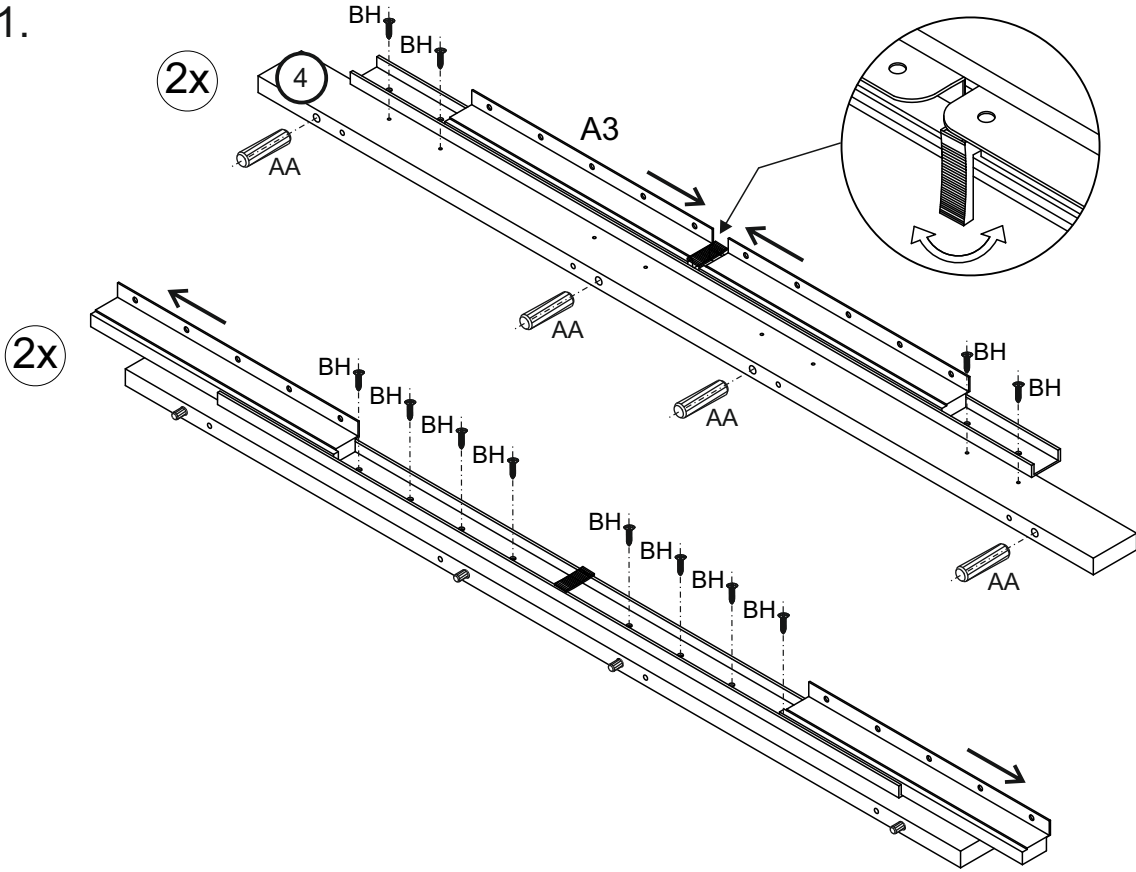


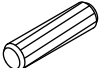
 2/3	AA Ø8x30 mm 8x 	AC Ø7x50 mm 8x 	PS Ø12 mm 8x 	OA 4 mm 1x 	MC Ø8 mm 8x 
MD Ø8 mm 8x 	BH Ø4x16 mm 52x 	KI 40x16x22 mm 4x 	SN Ø20x2 mm 4x 	 3/3	A M8x16 mm 8x 
B M8x10 mm 4x 	C Ø18xØ8x1,5 mm 8x 	D M8x12 mm 8x 	E 5 mm 1x 	F 6 mm 1x 	G 8 mm 1x 


I.



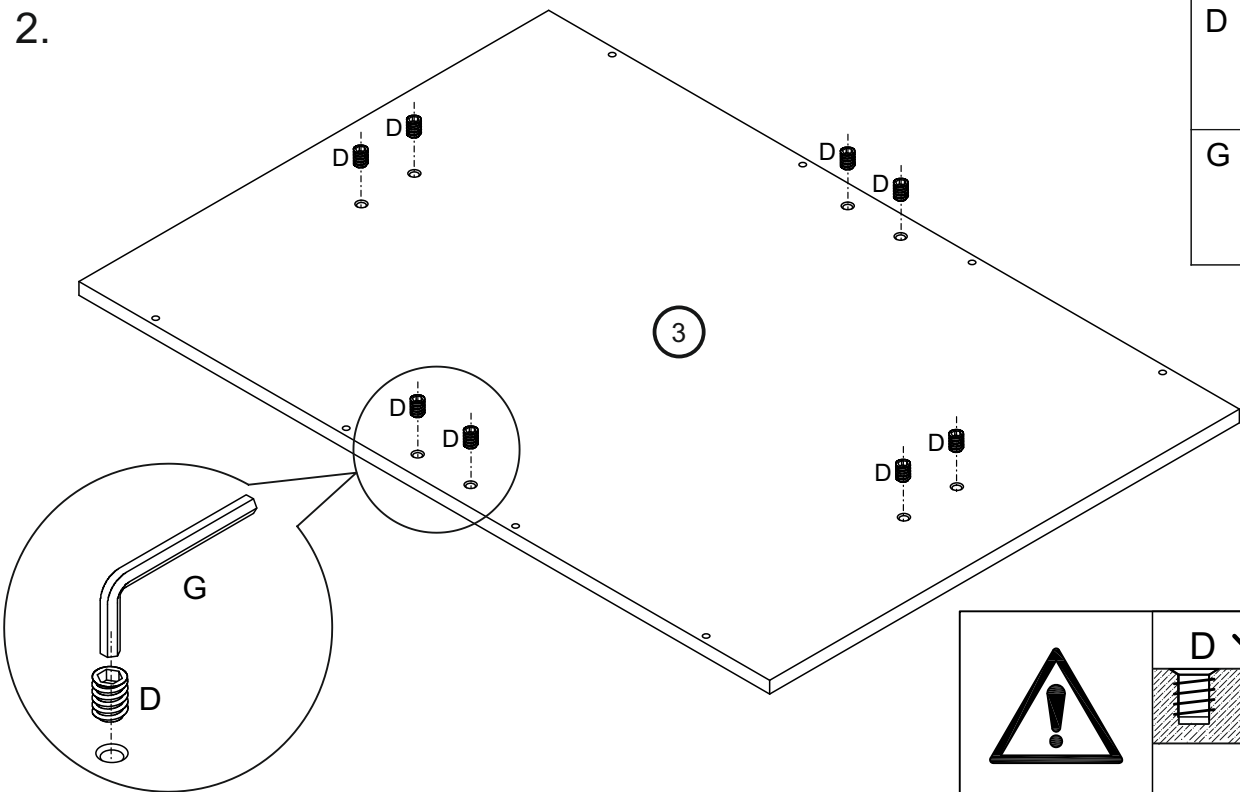
1.




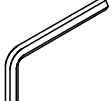
AA $\varnothing 8 \times 30$ mm

 8x

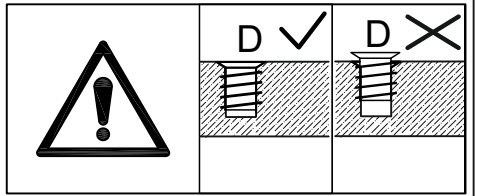
BH $\varnothing 4 \times 16$ mm

 24x

2.



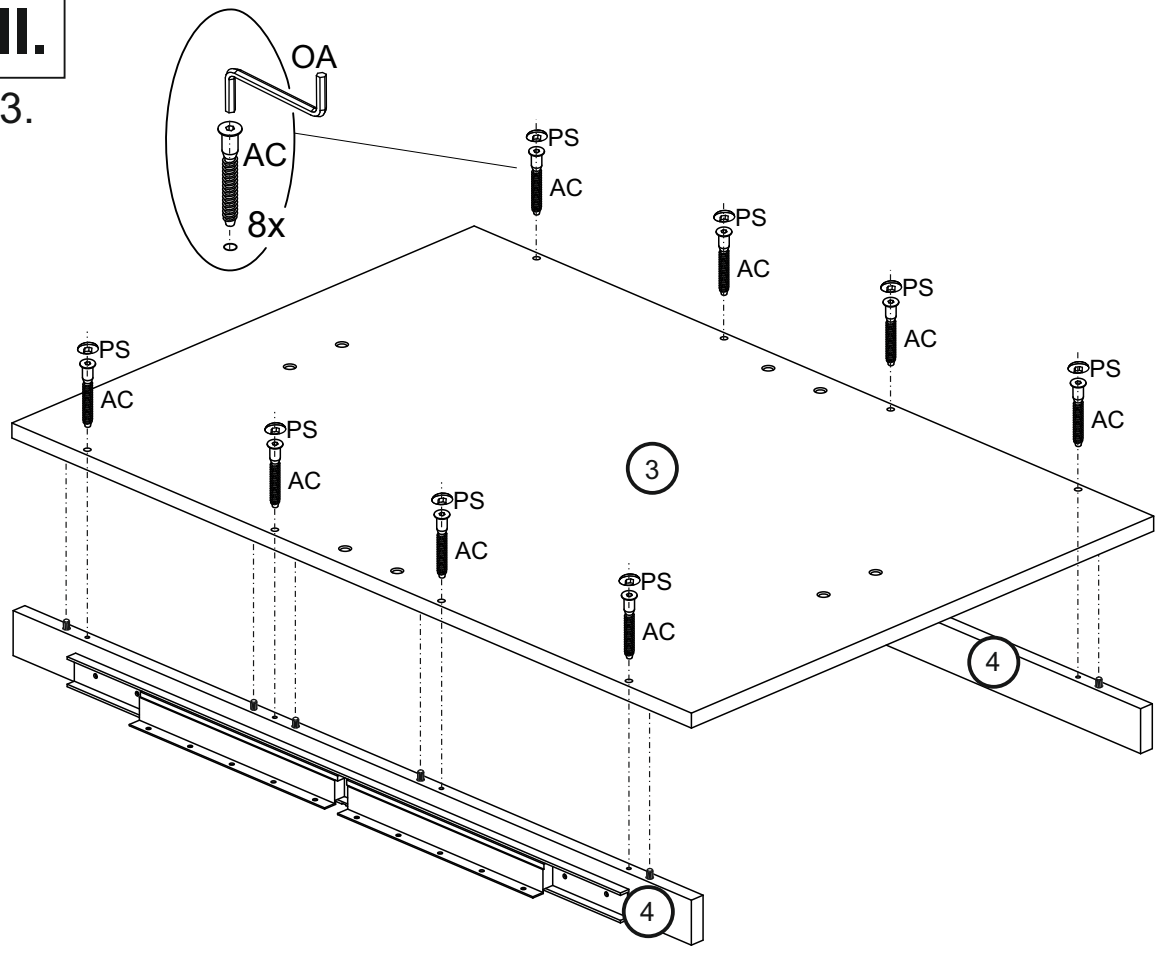
D M8x12 mm

 8x

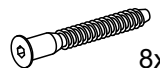
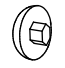
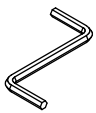
G 8 mm

 1x



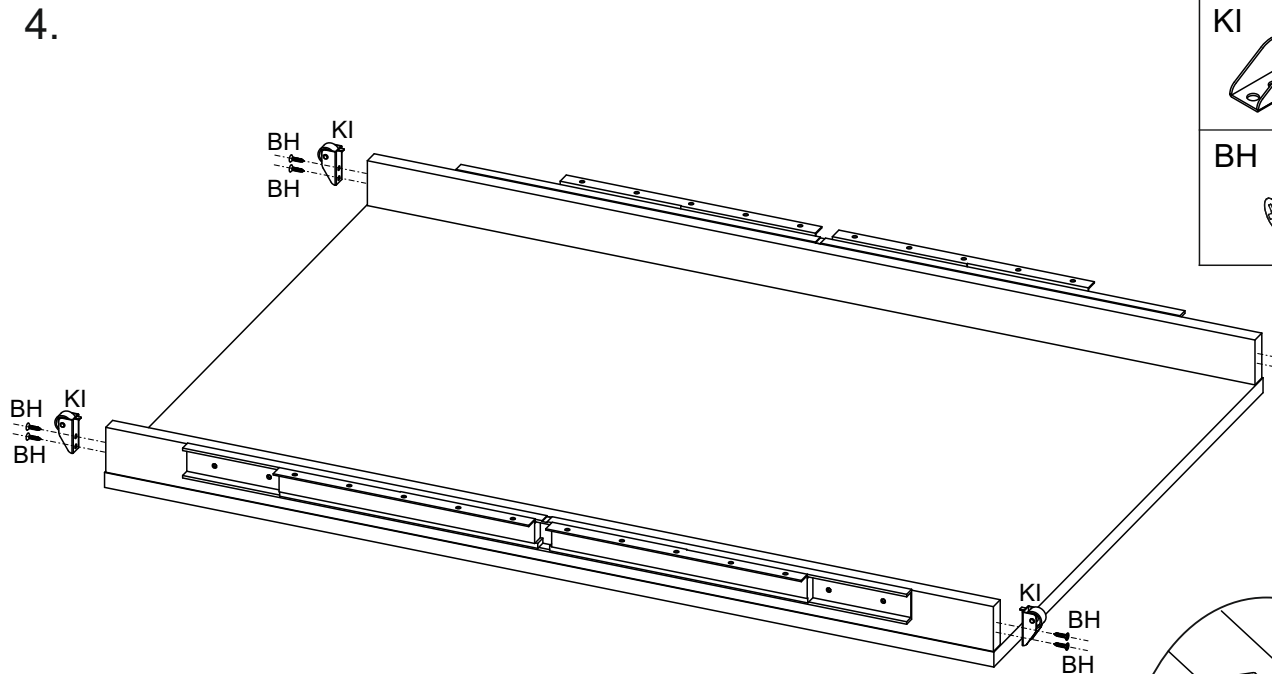
II.

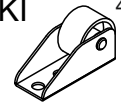

3.

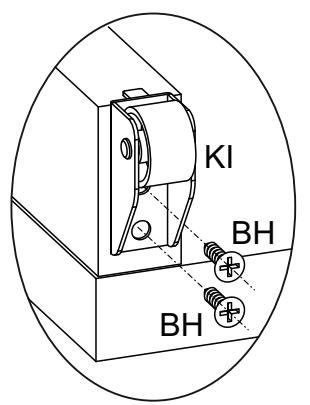


AC	Ø7x50 mm
	8x
PS	Ø12 mm
	8x
OA	4 mm
	1x

4.

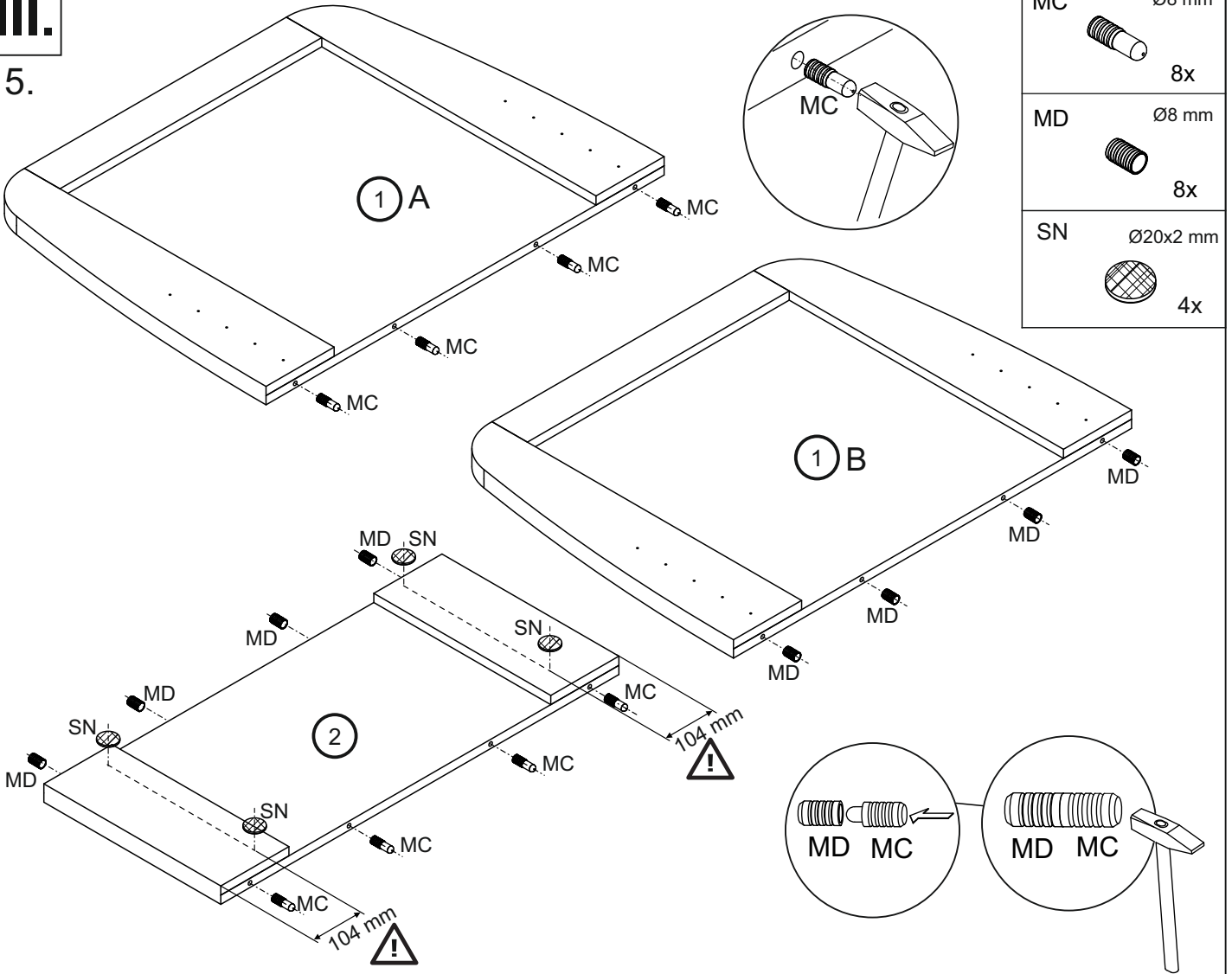


KI	40x16x22
	4x
BH	Ø4x16 mm
	8x

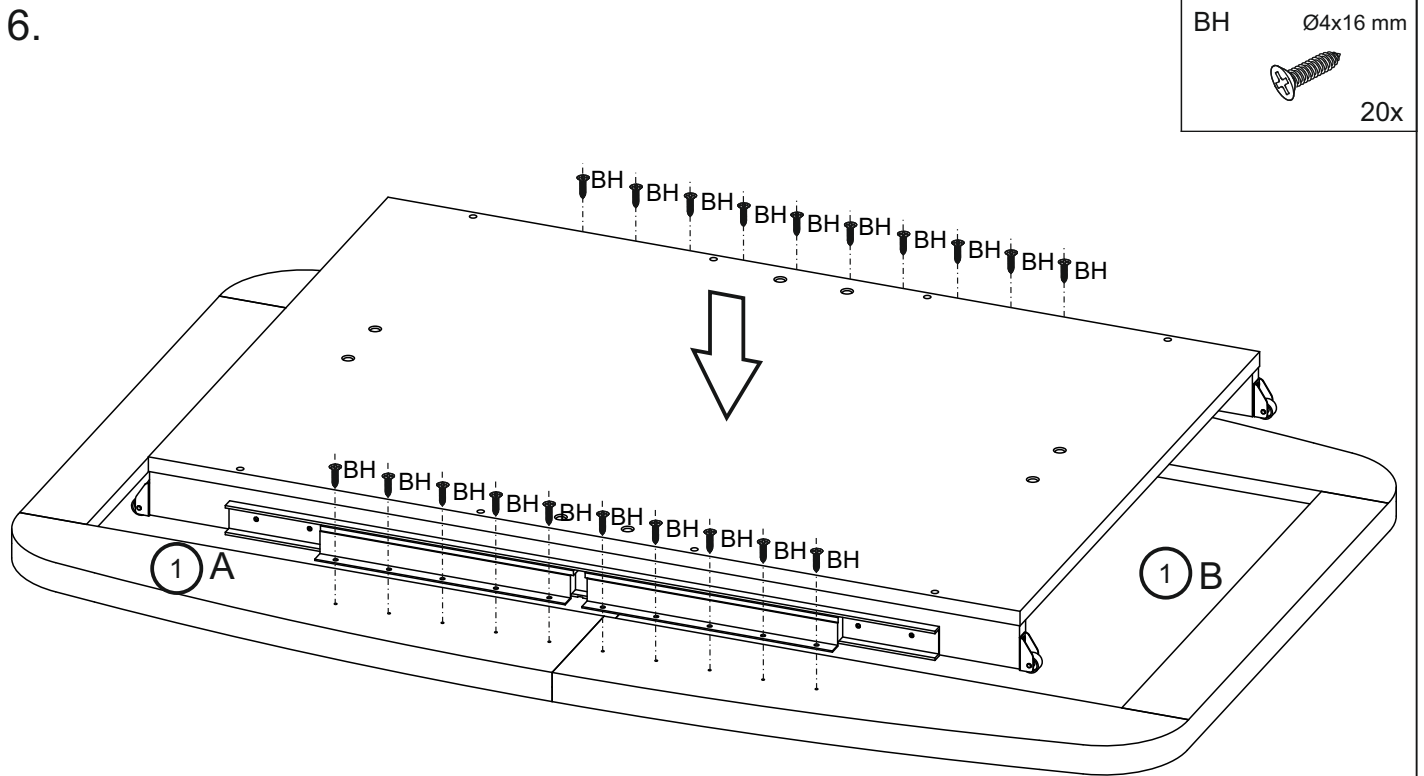


III.

5.

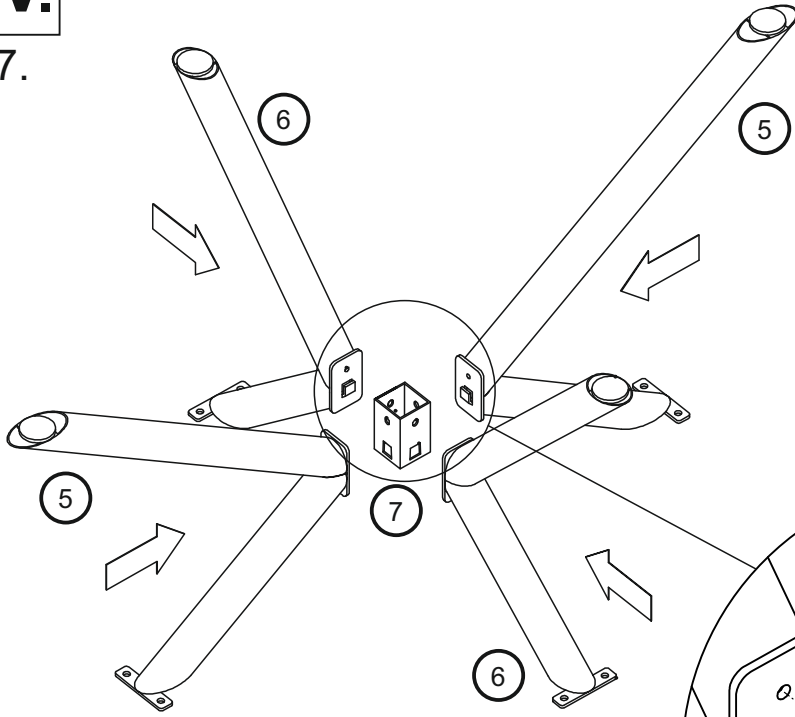


6.

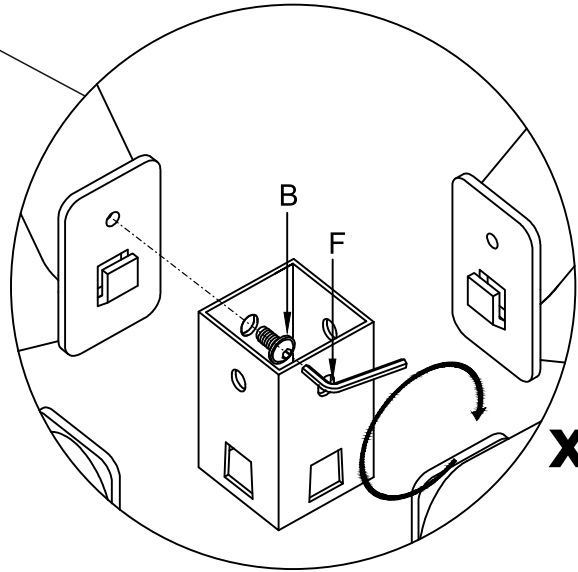


IV.

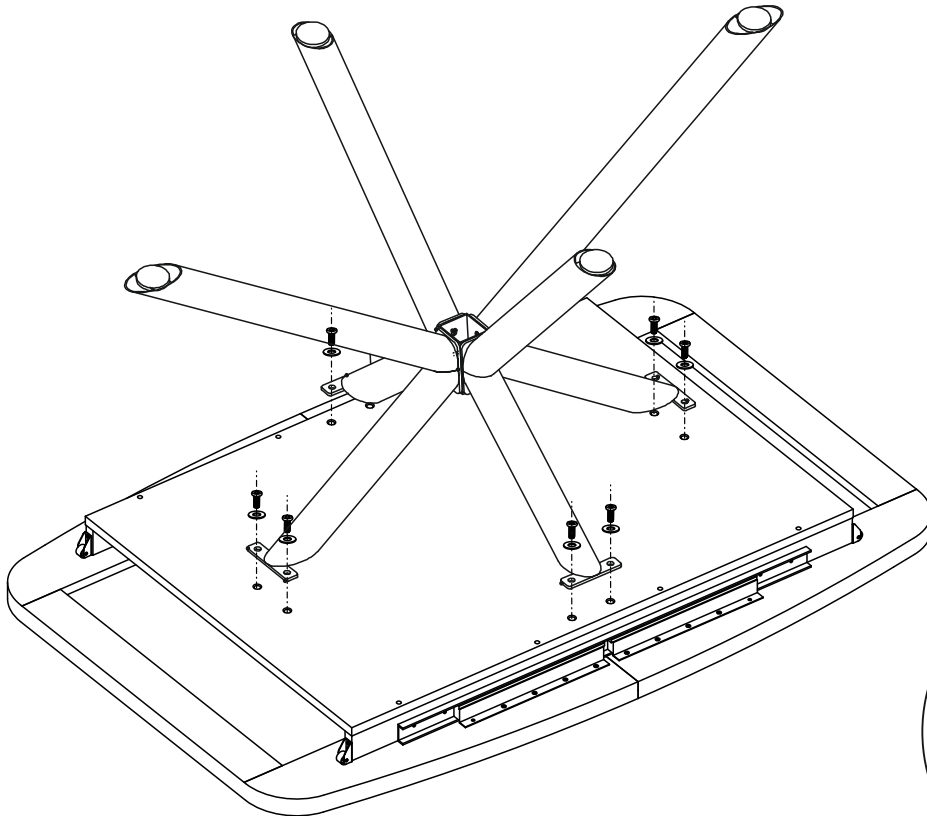
7.



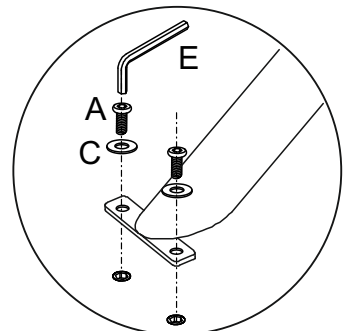
- B** M8x10
4x
- F** 6 mm
1x
- 75%



8.

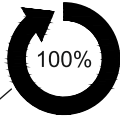
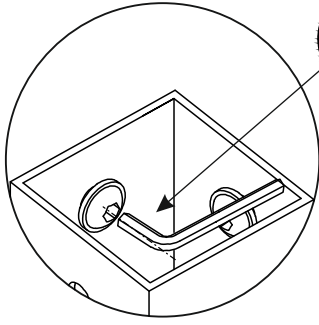


- A** M8x16
8x
- E** 5 mm
1x
- C** Ø18xØ8x1,5
8x
- 100%



V.

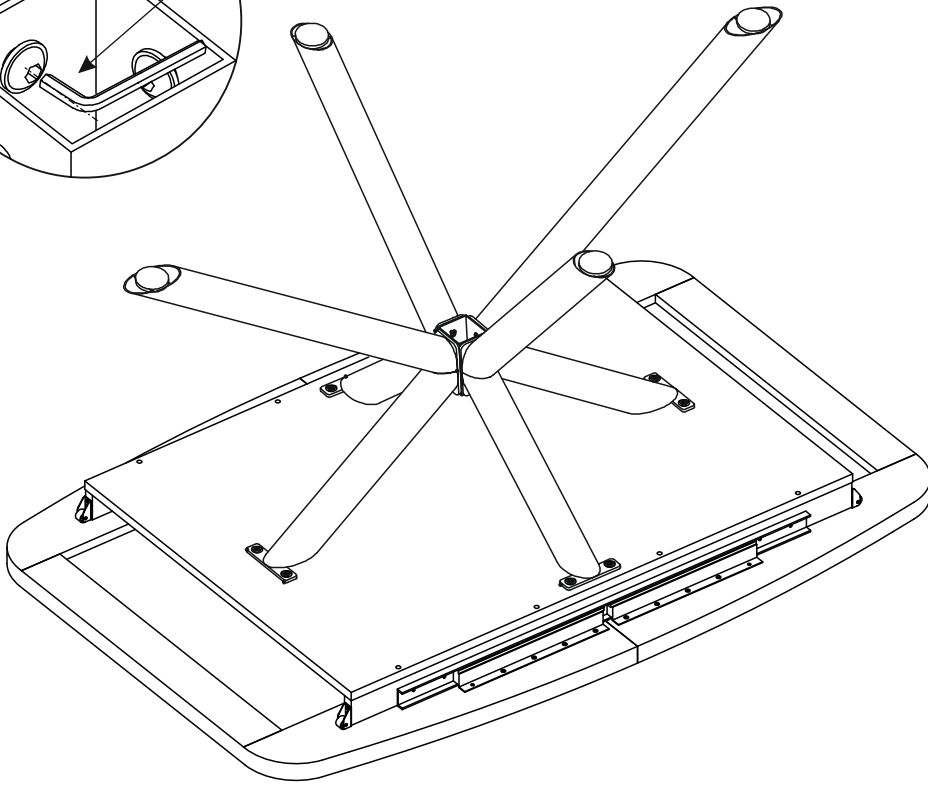
9.



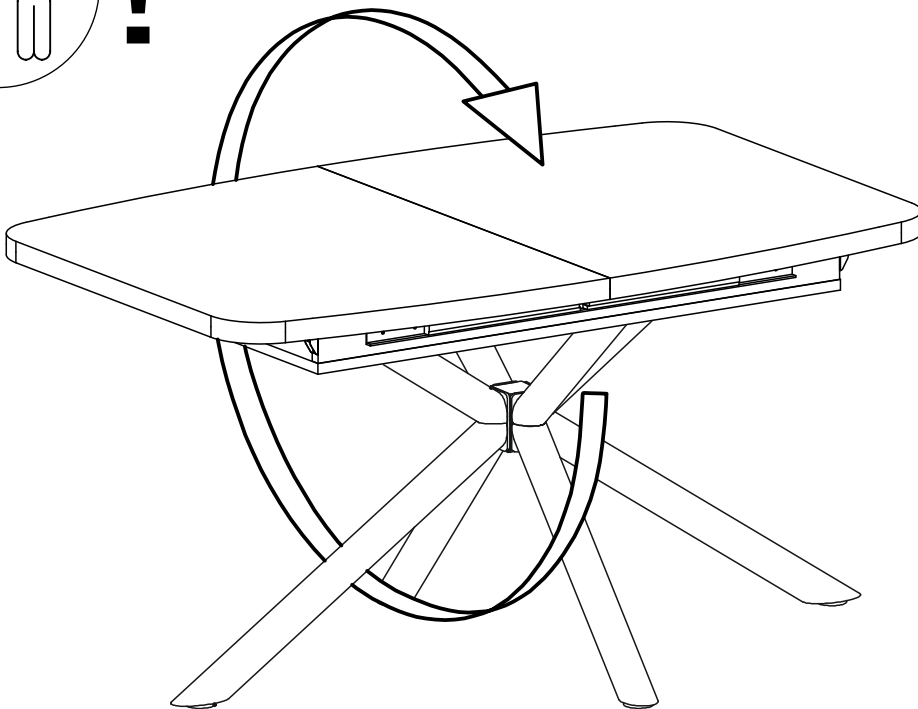
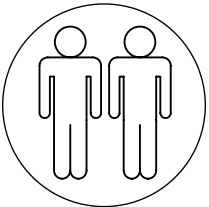
F 6 mm



1x

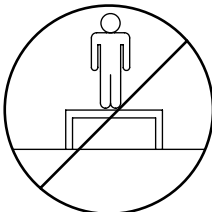
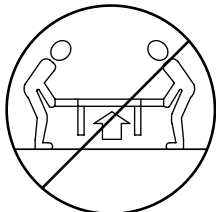
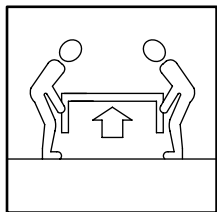
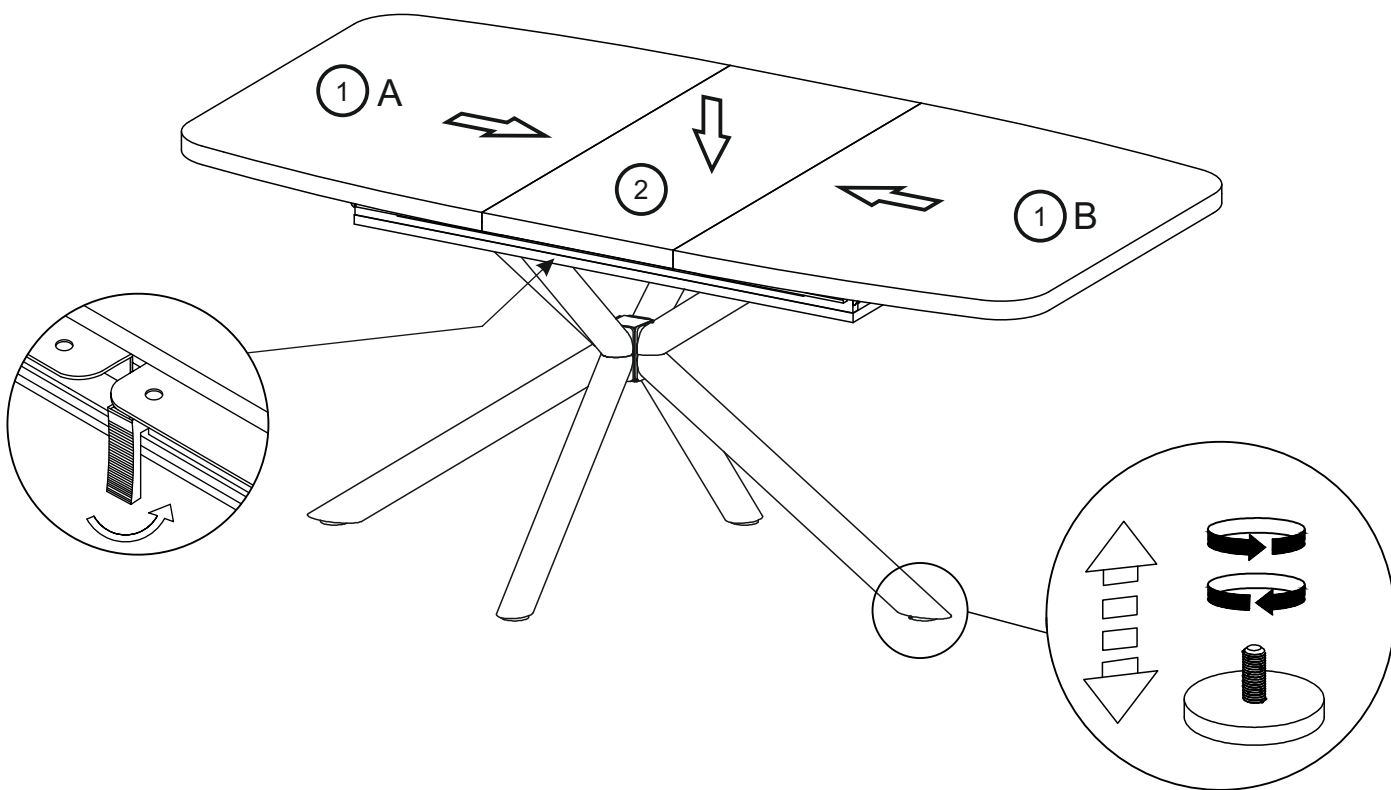
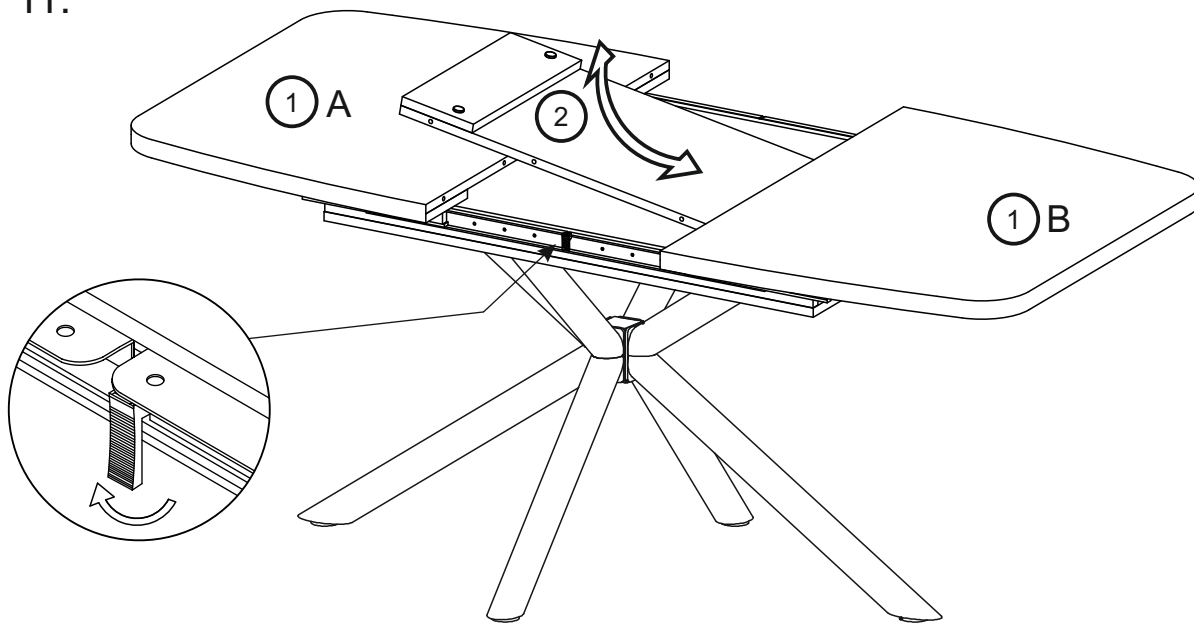


10.



VI.

11.



LE TRI
+ FACILE



Séparez les éléments avant de trier