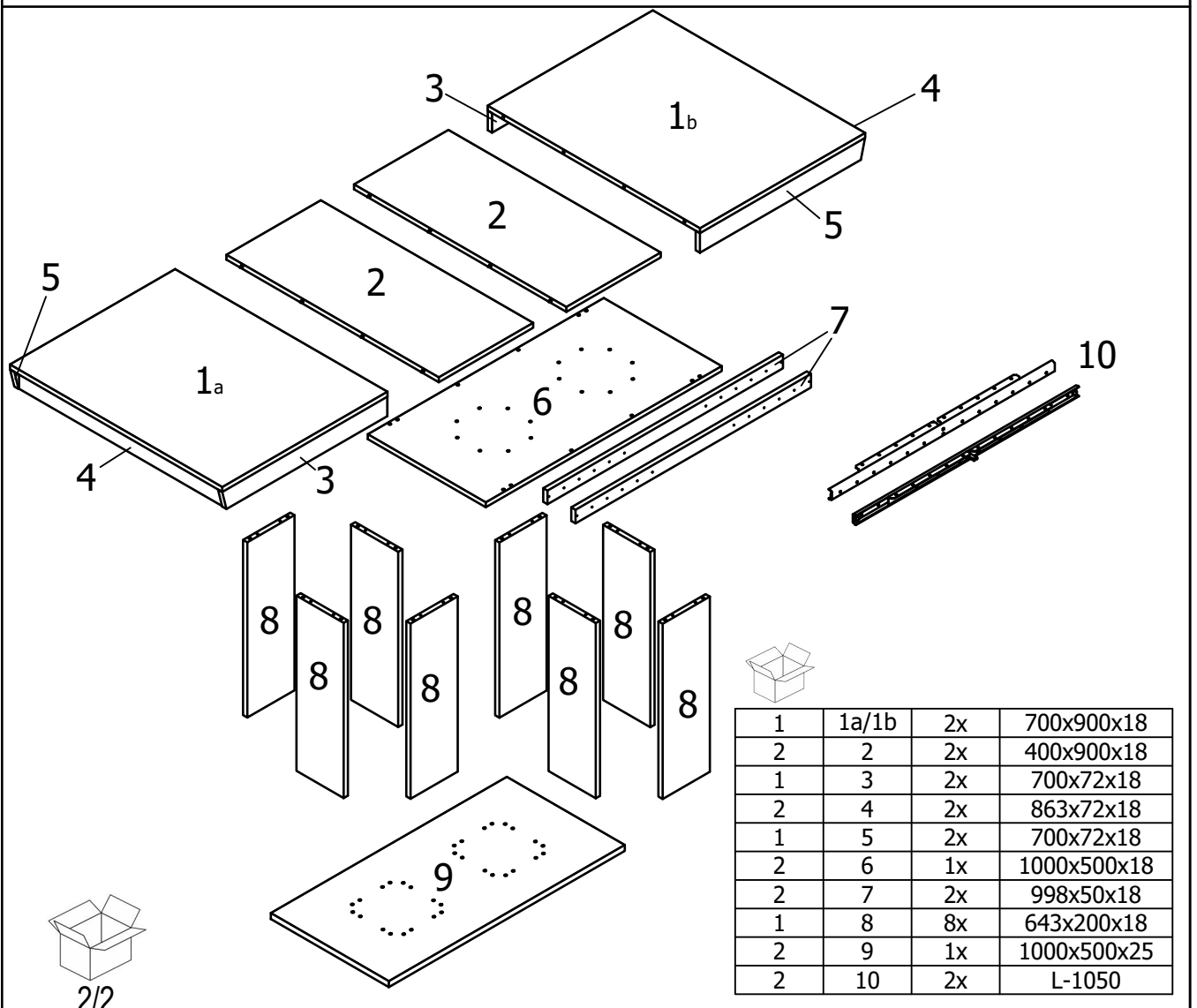
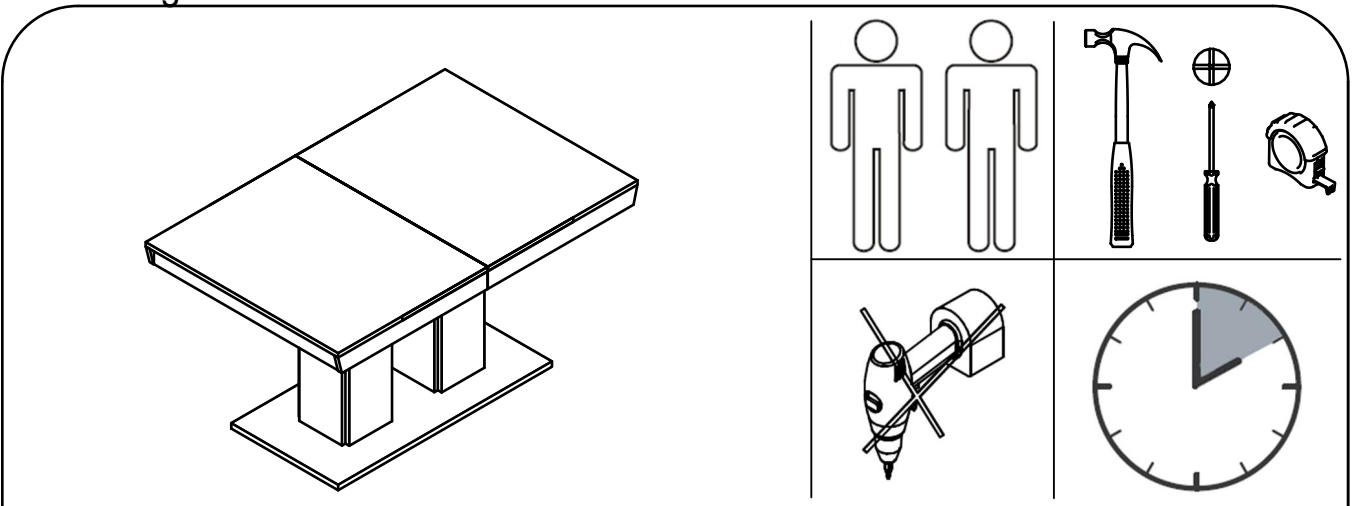
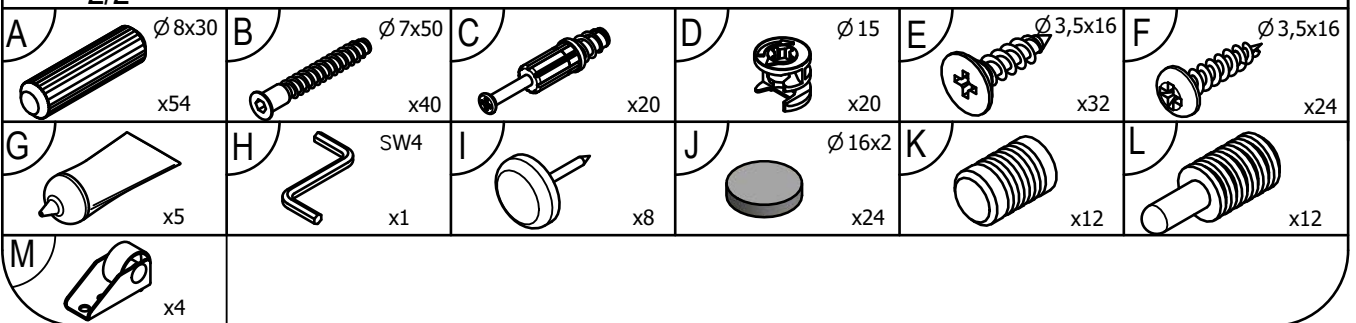


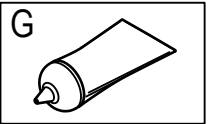
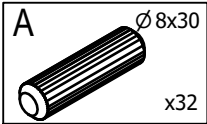
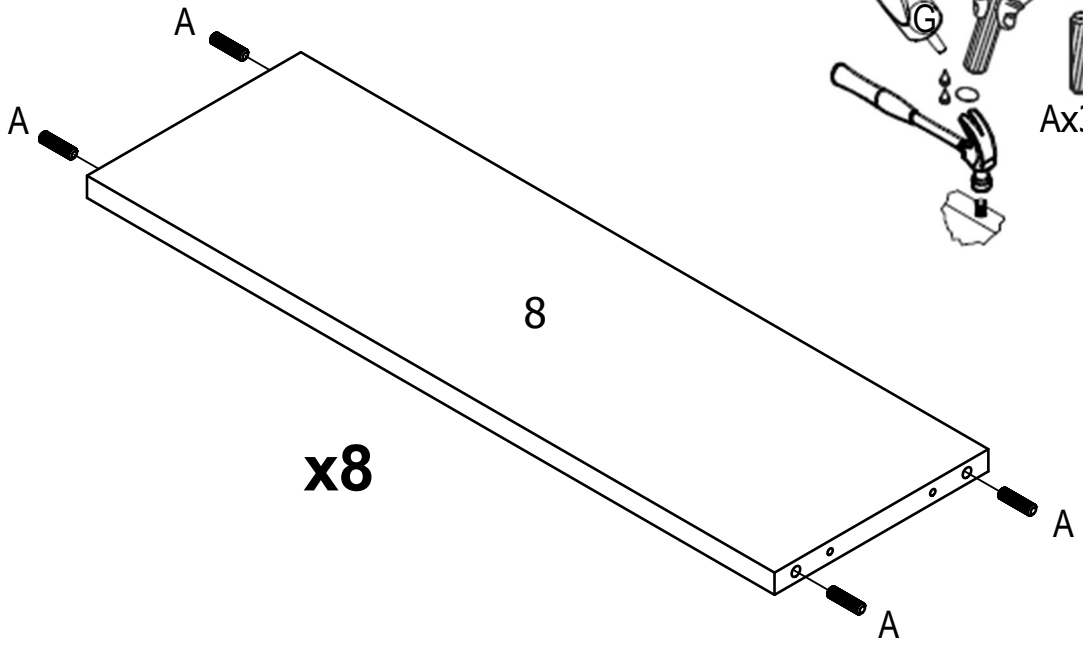
# Agnes T



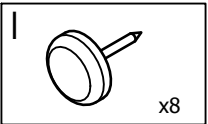
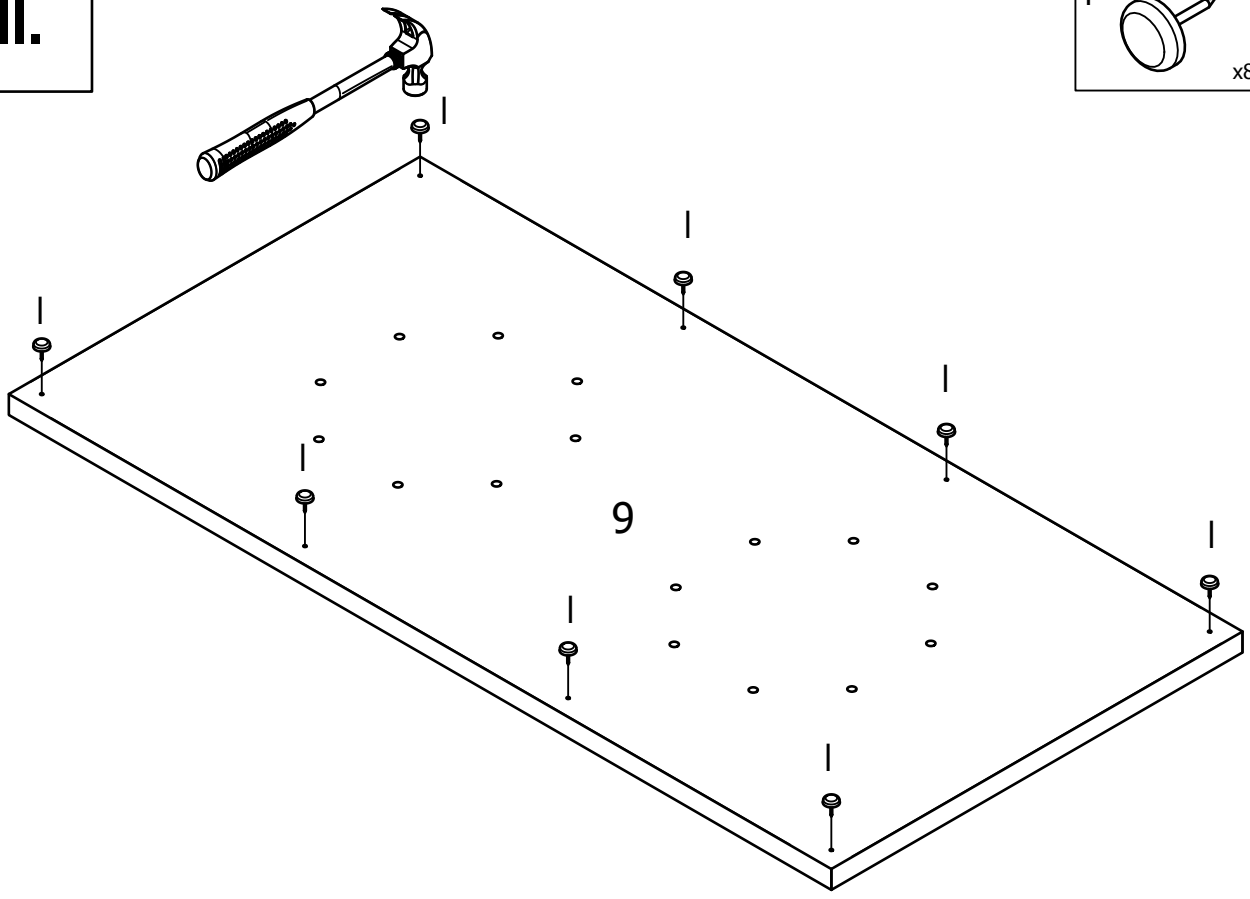
1	1a/1b	2x	700x900x18
2	2	2x	400x900x18
1	3	2x	700x72x18
2	4	2x	863x72x18
1	5	2x	700x72x18
2	6	1x	1000x500x18
2	7	2x	998x50x18
1	8	8x	643x200x18
2	9	1x	1000x500x25
2	10	2x	L-1050



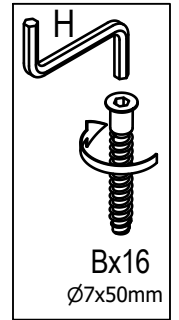
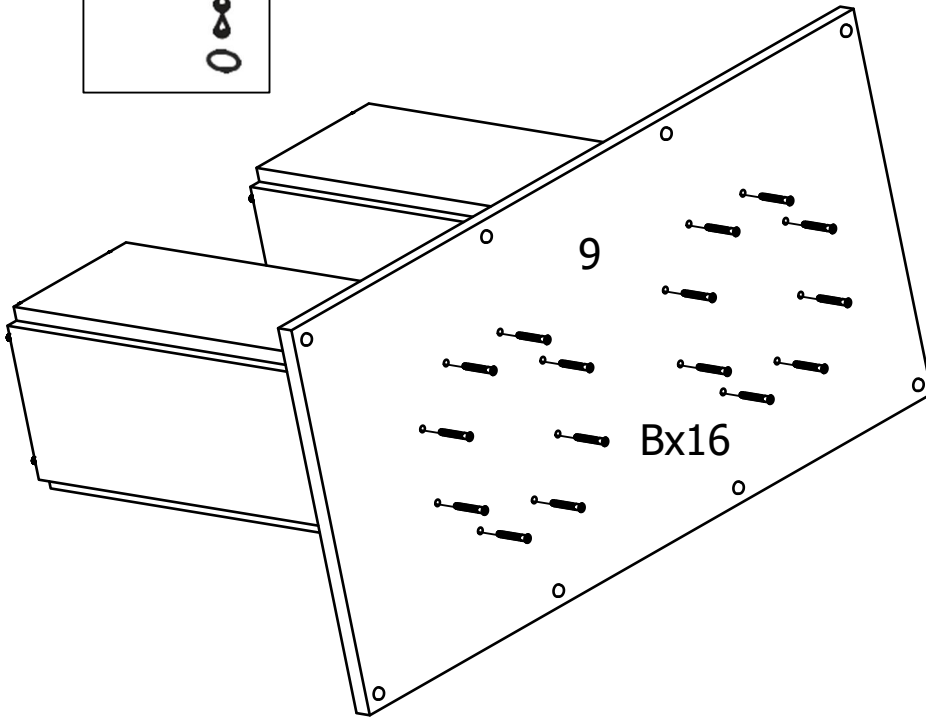
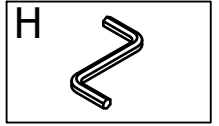
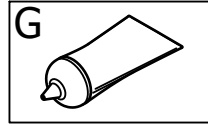
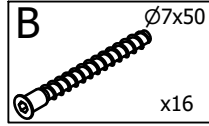
I.



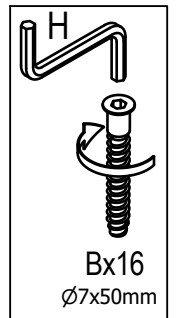
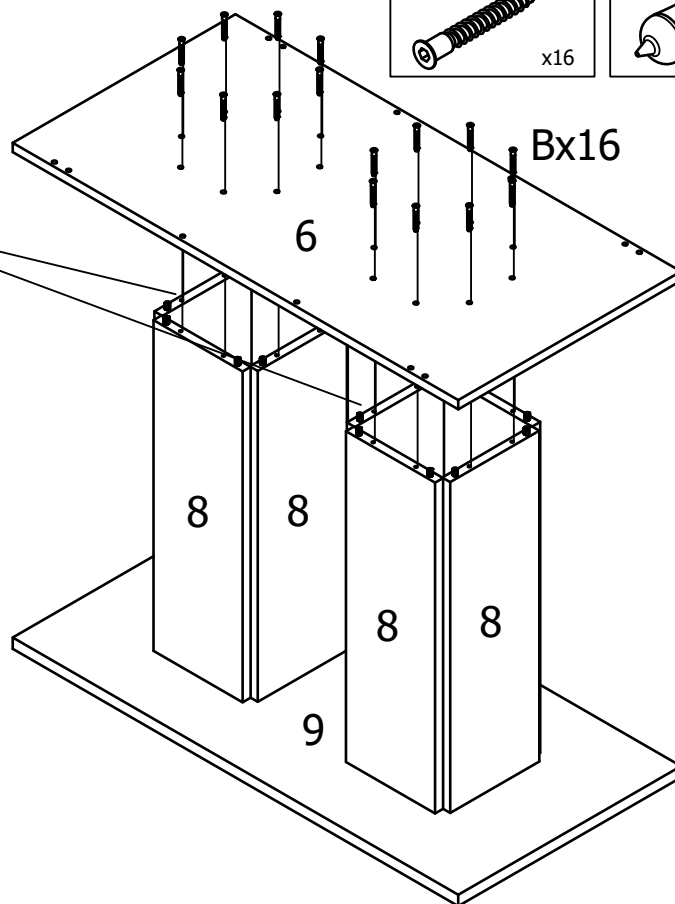
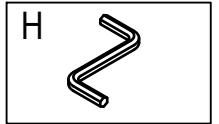
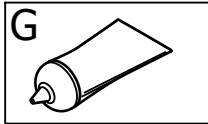
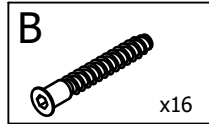
II.



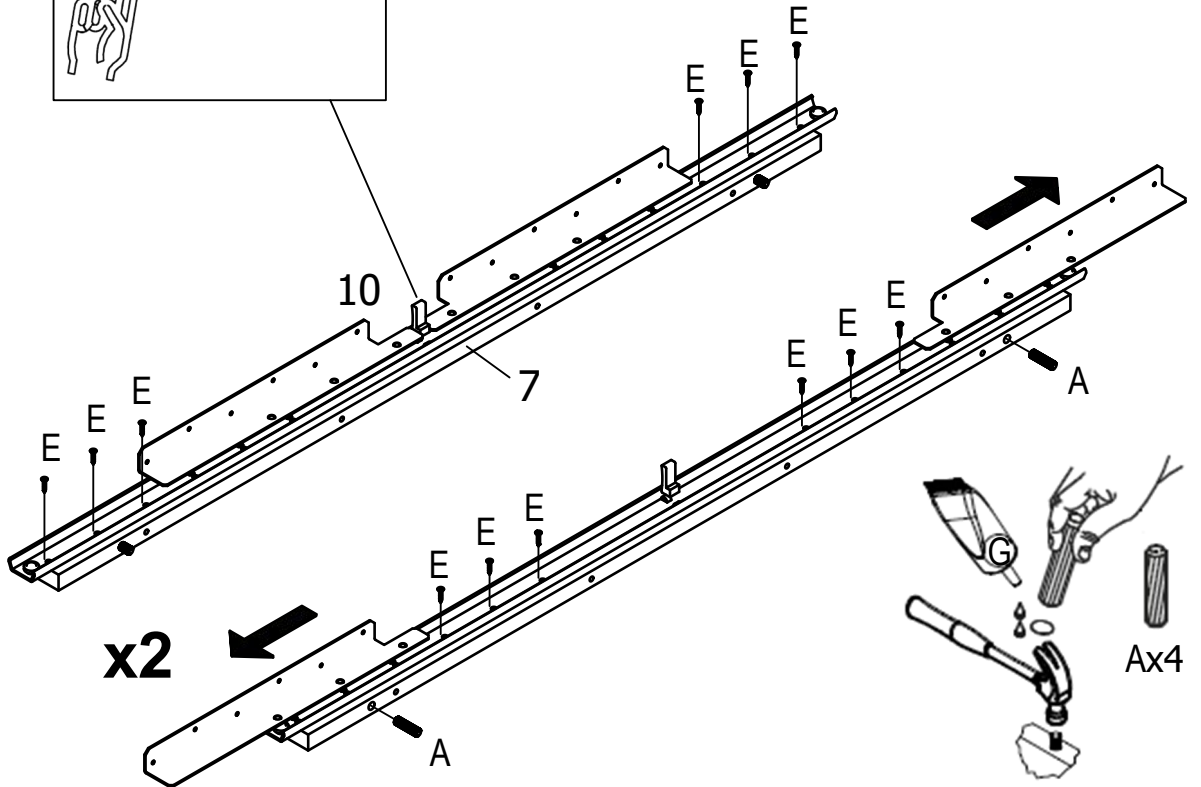
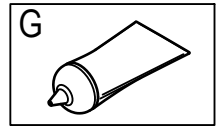
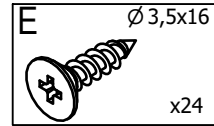
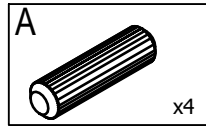
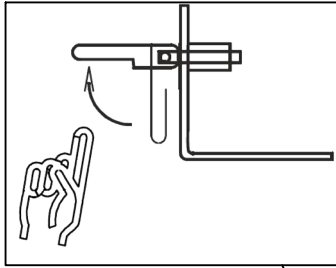
III.



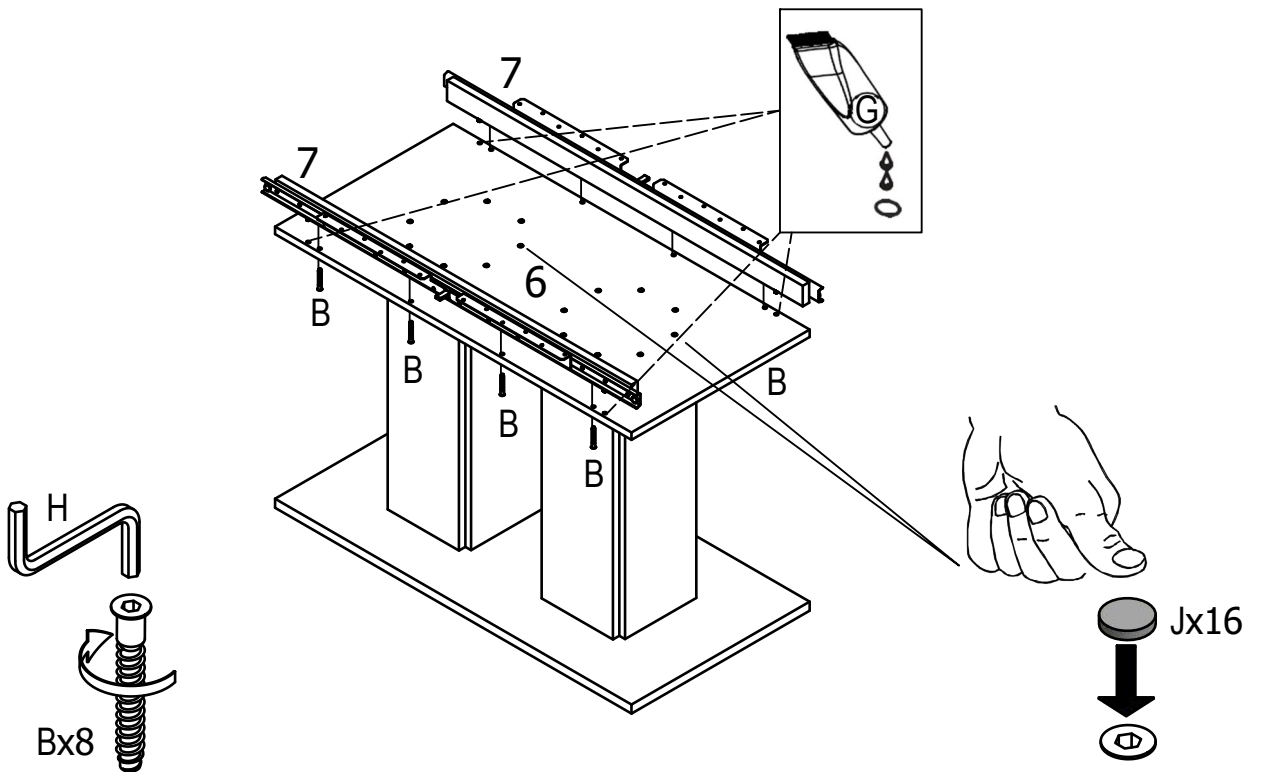
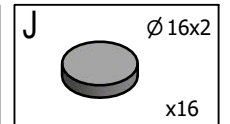
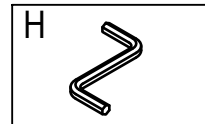
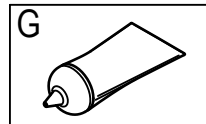
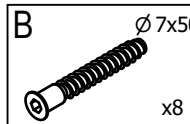
IV.



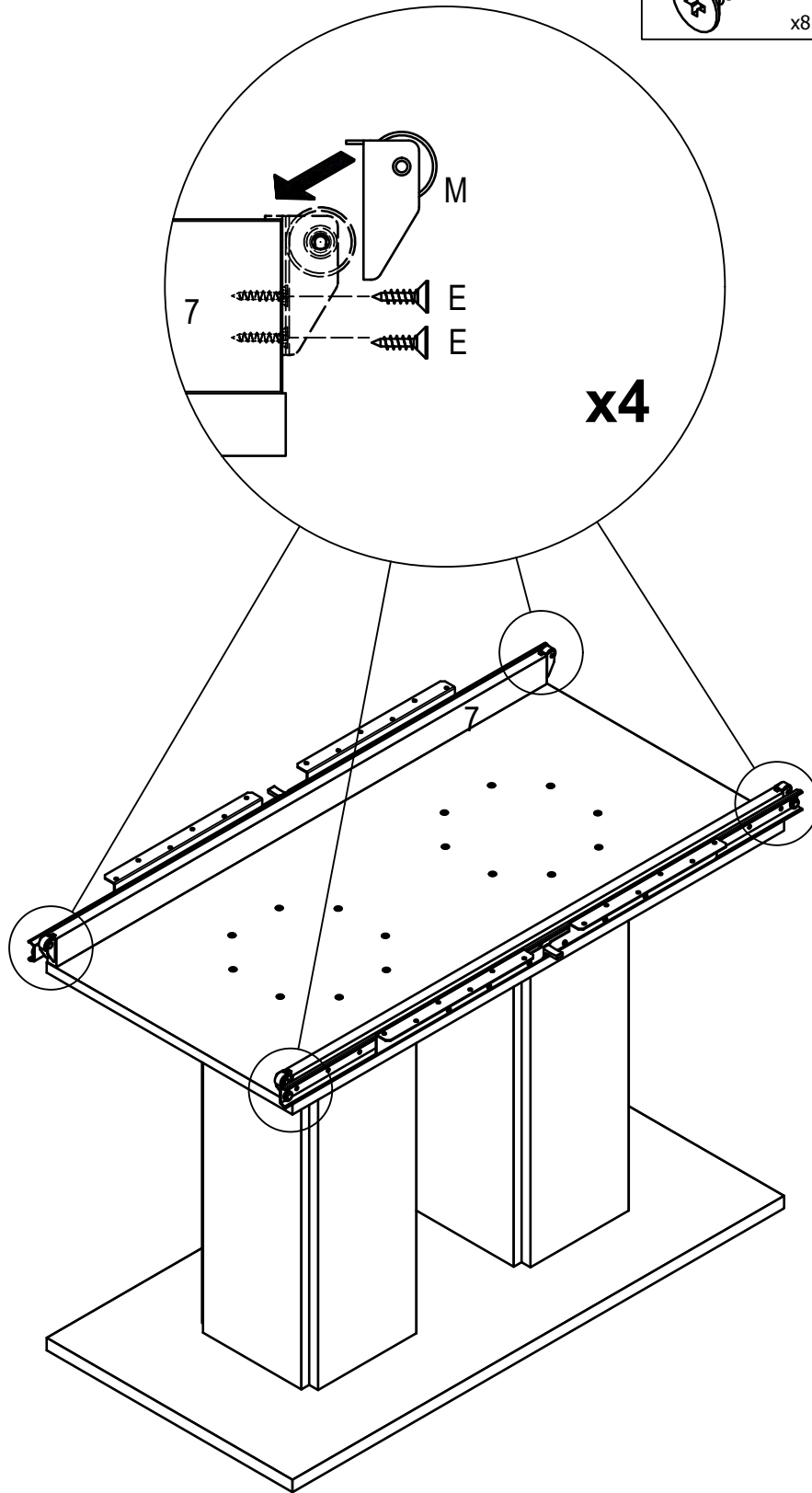
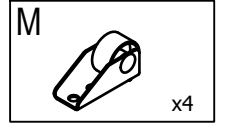
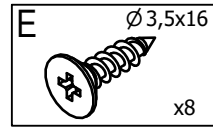
V.



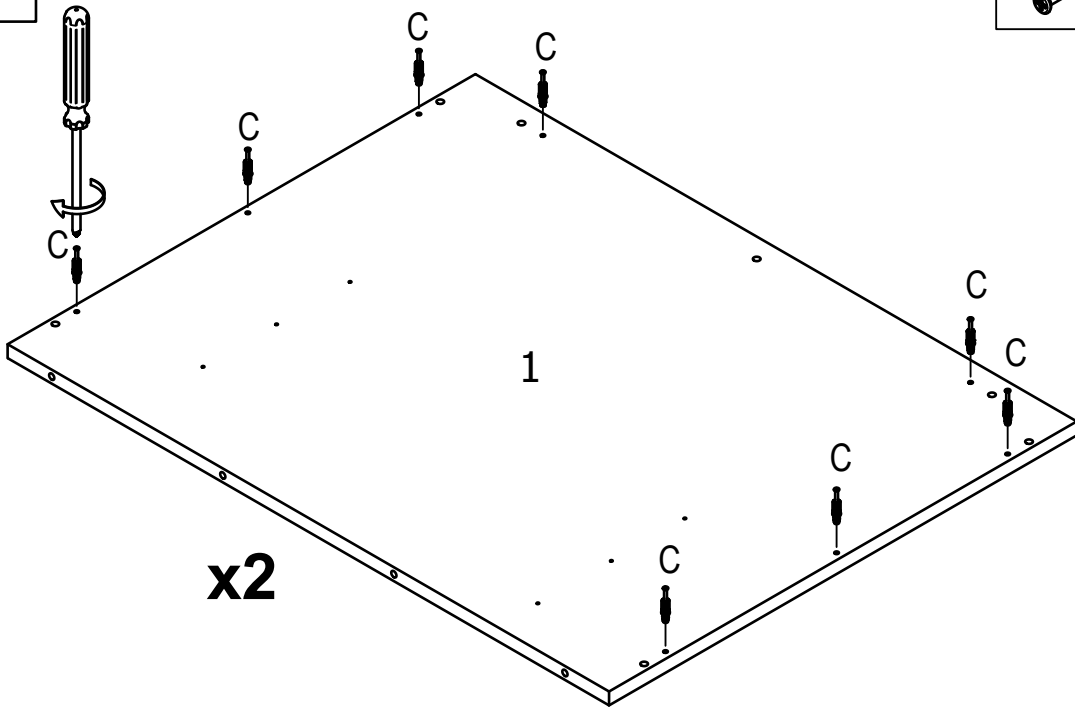
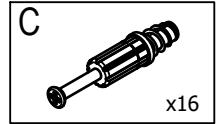
VI.



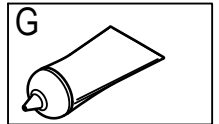
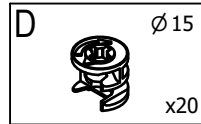
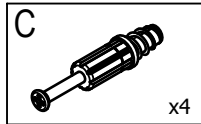
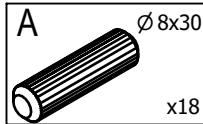
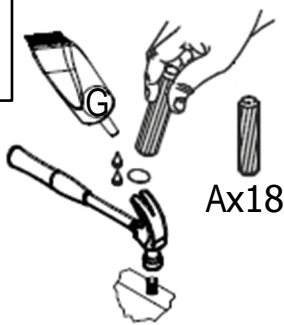
**VII.**



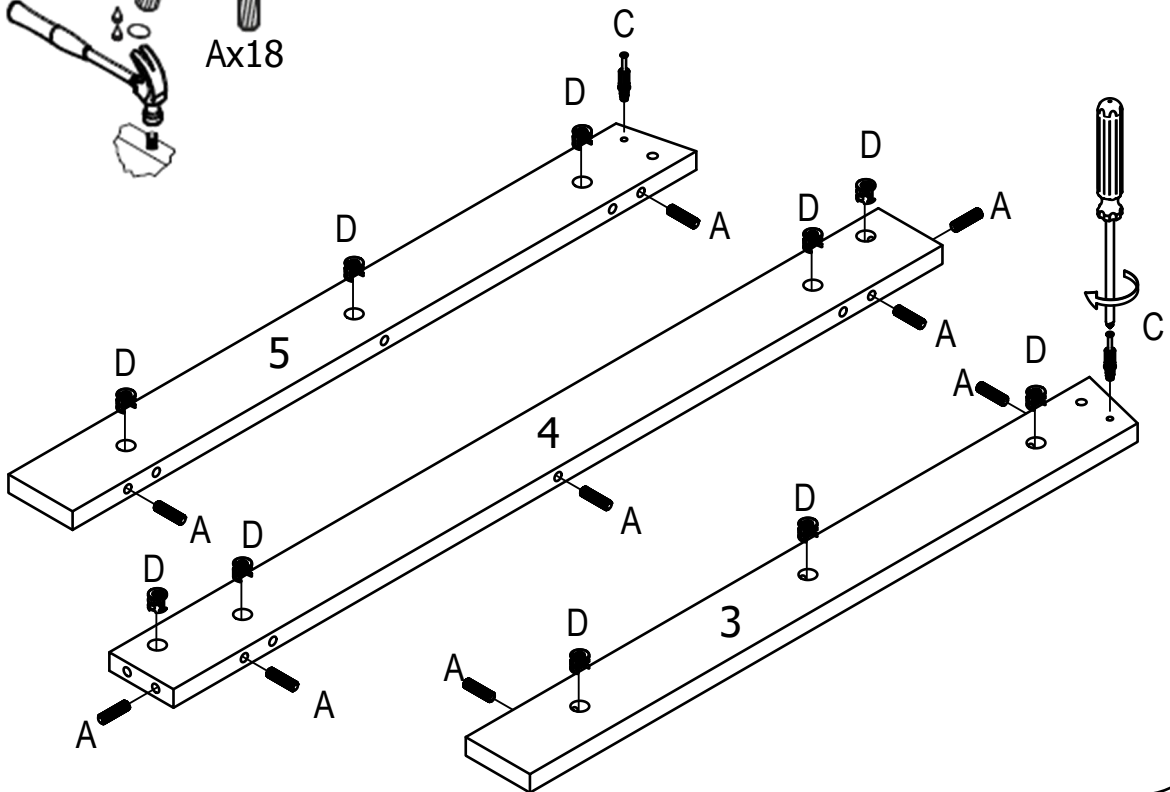
# VIII.



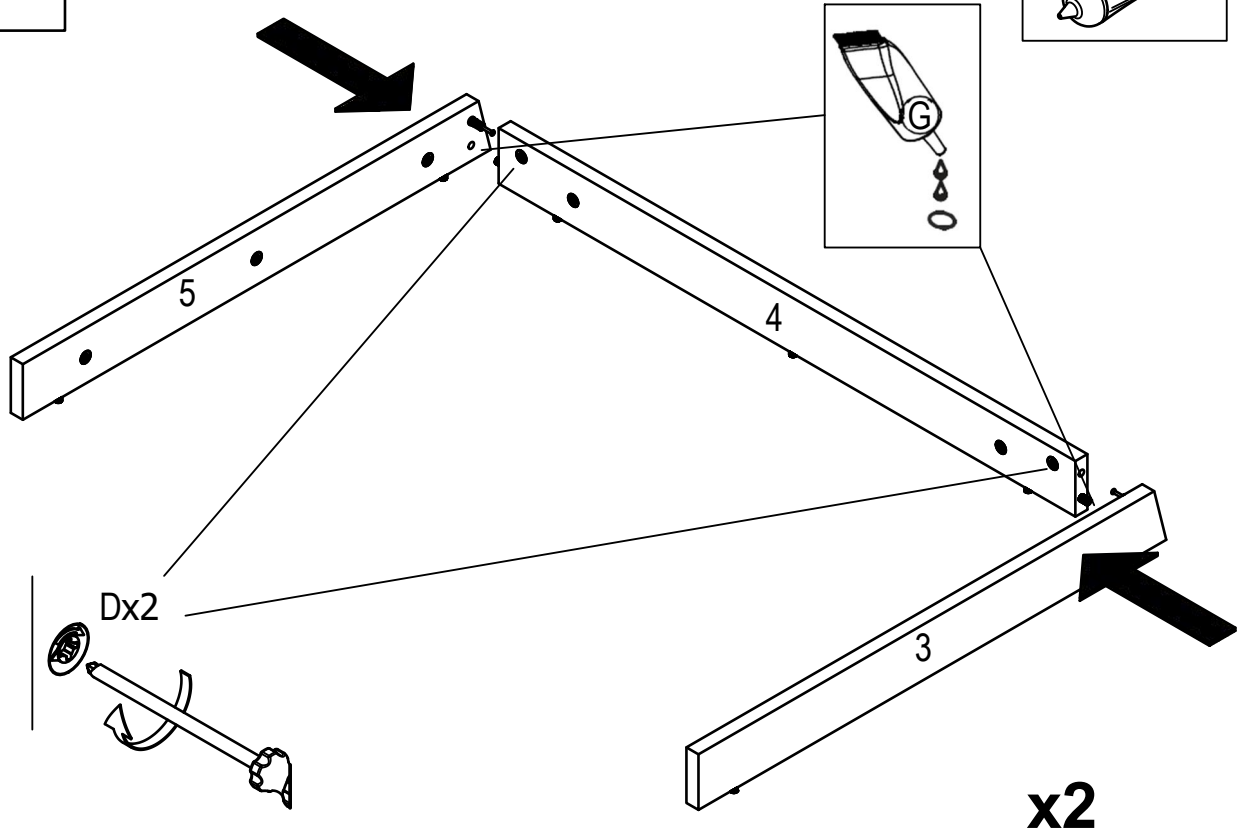
# IX.



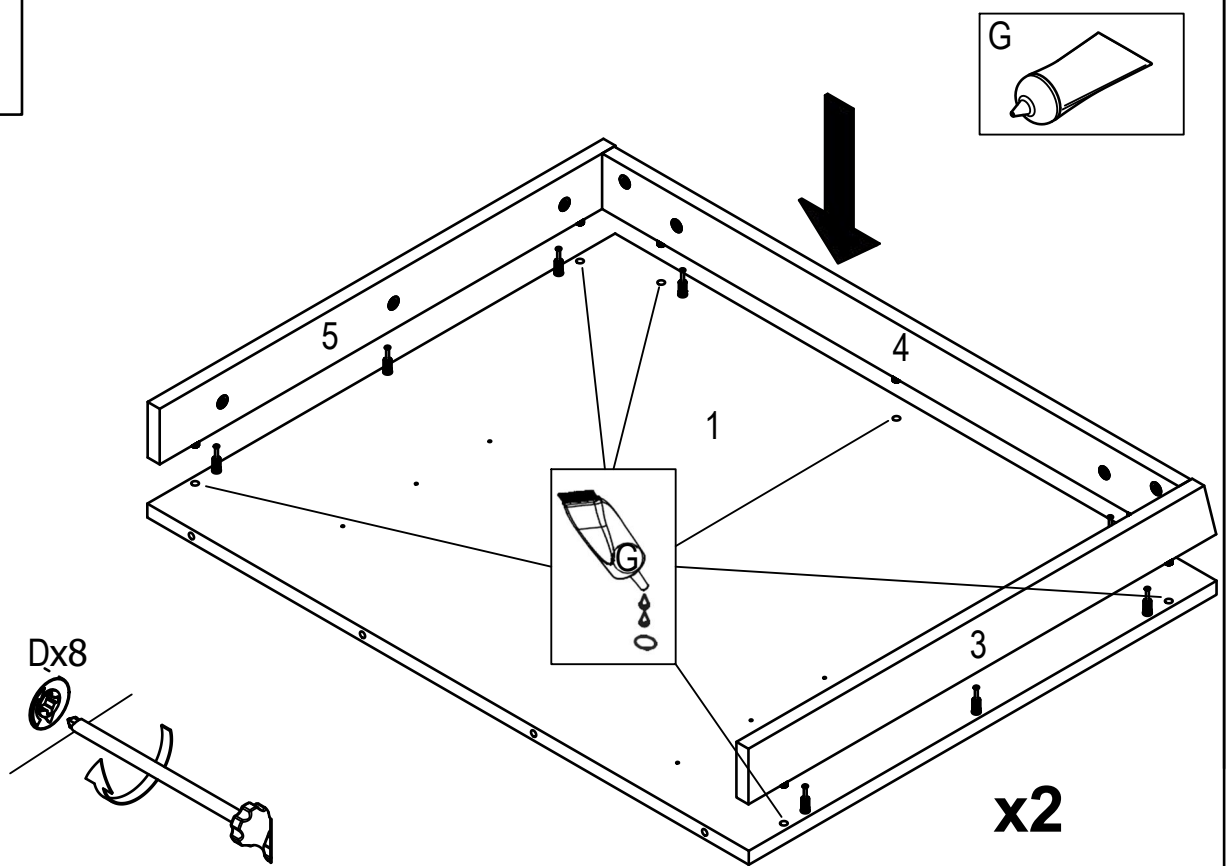
x2



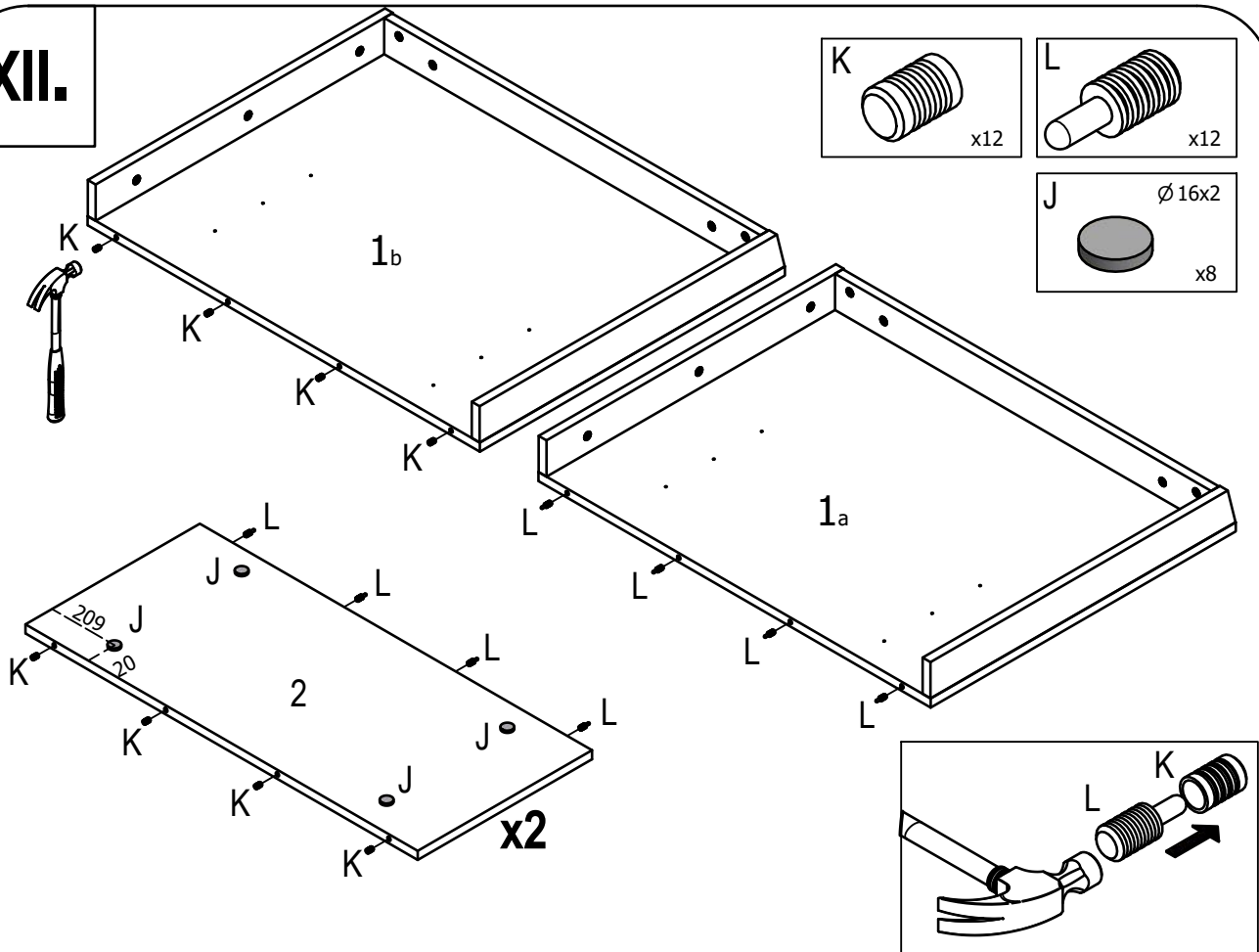
X.



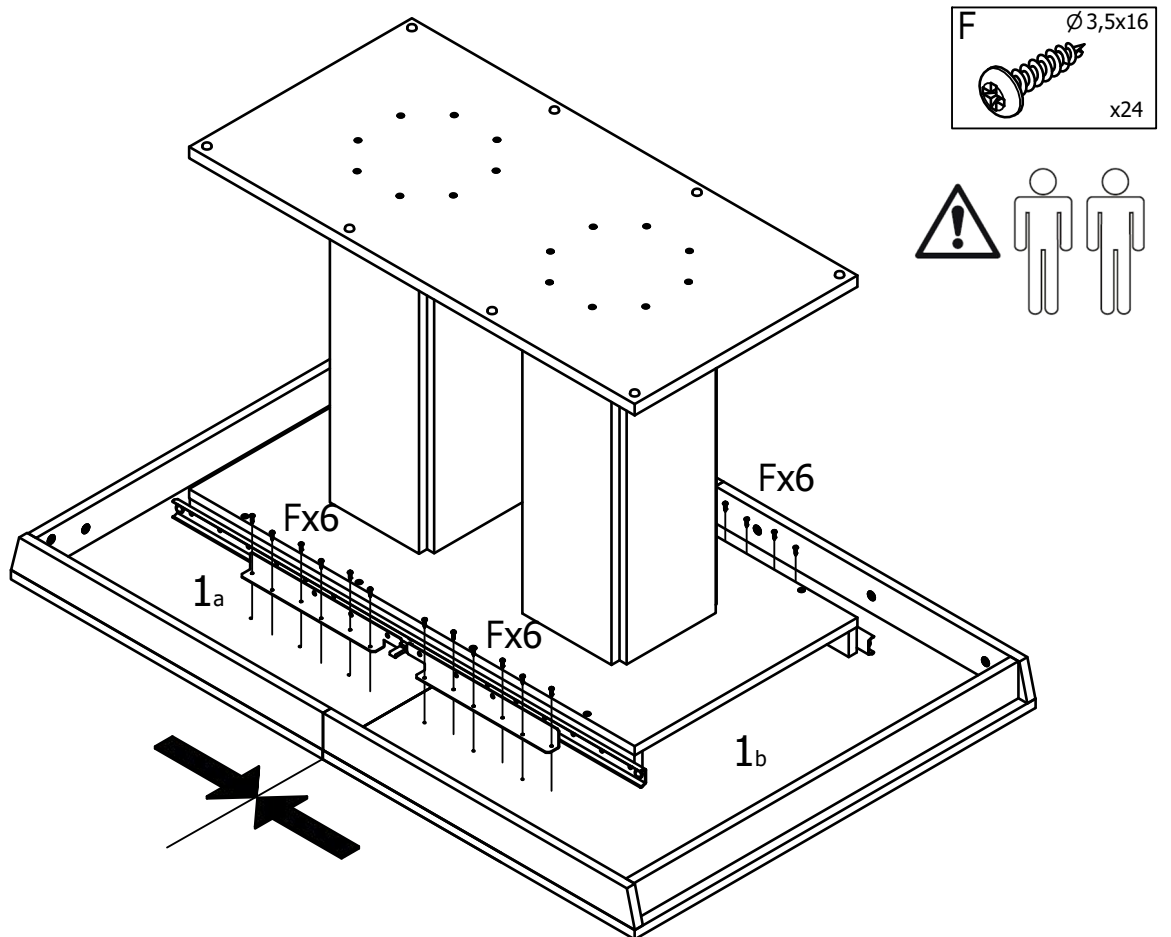
XI.



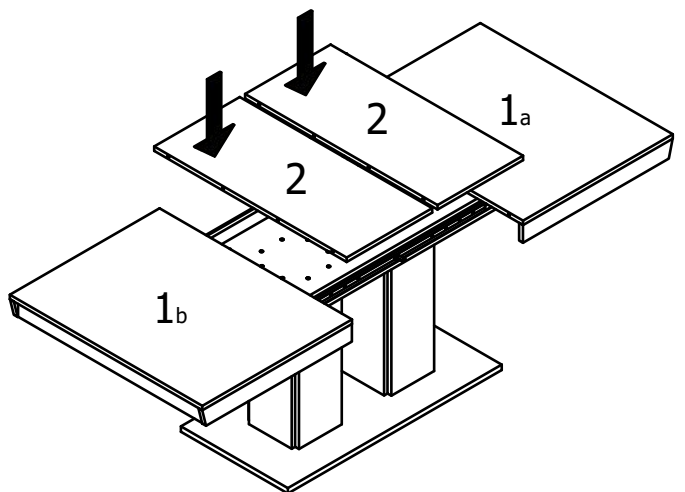
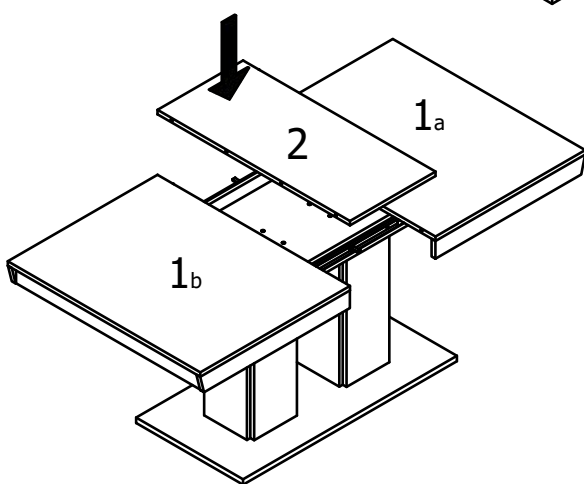
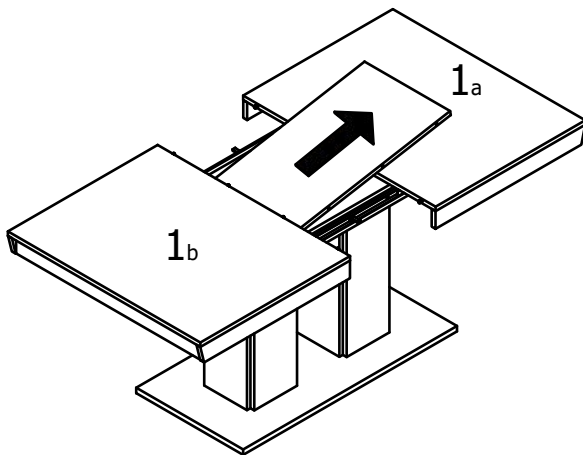
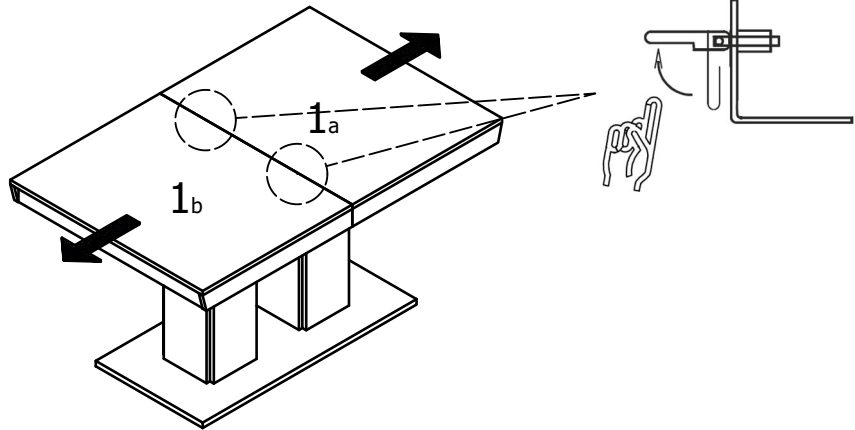
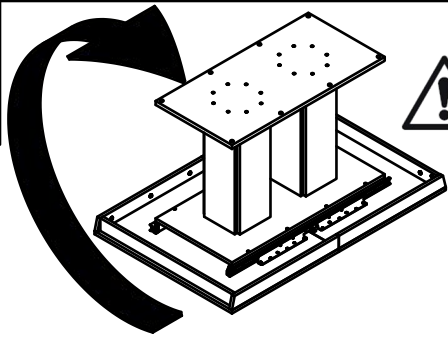
# XII.



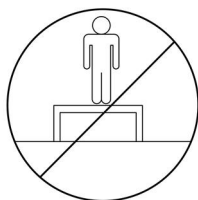
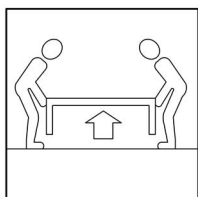
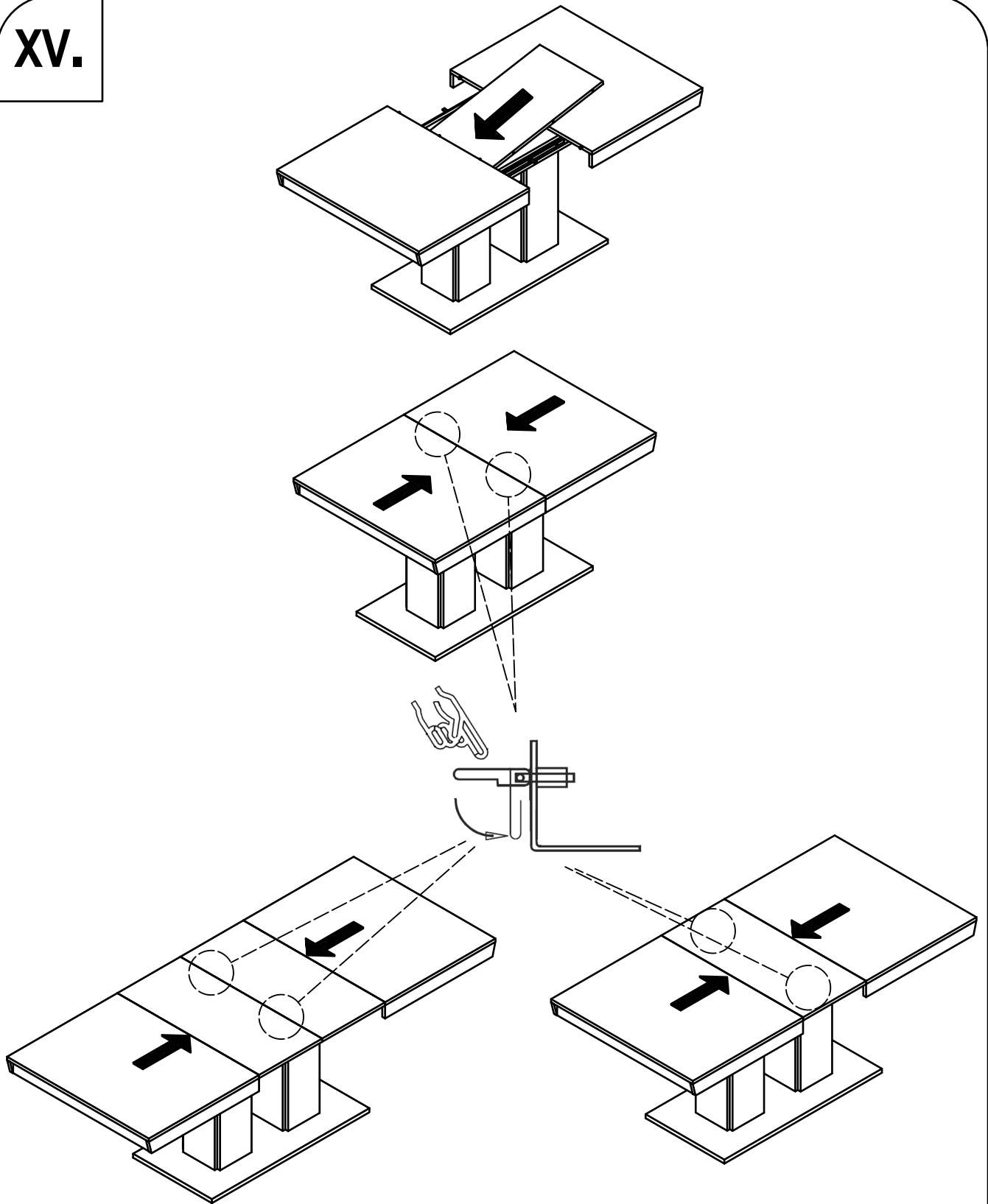
# XIII.



XIV.



XV.



LE TRI  
+ FACILE



Séparez les éléments avant de trier