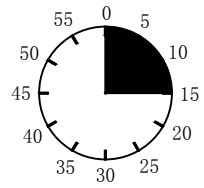
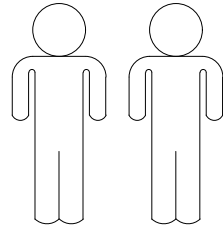
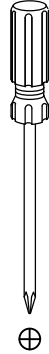
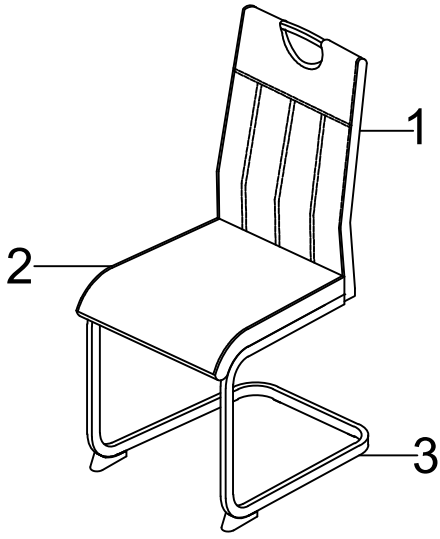


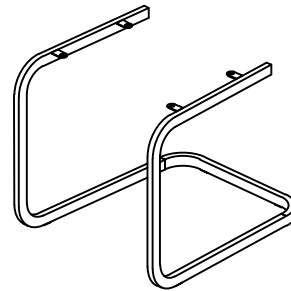
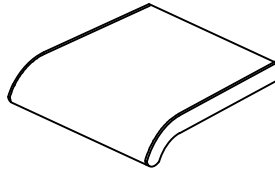
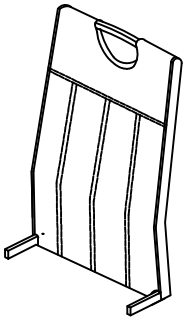
ANTO I



1

2

3

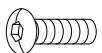


1	1X
2	1X
3	1X



1/1

A M6*12



4X

B M6*18



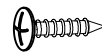
4X

C Ø18*Ø6.5*1.5




4X

D M4*20



4X

E  2X

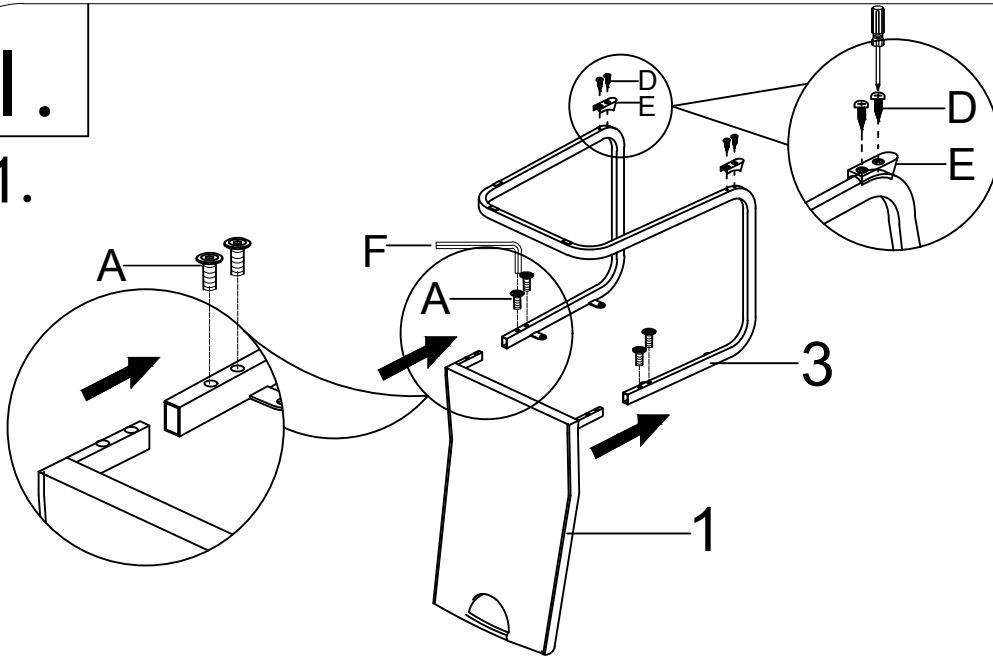
F 4mm



1X

I.

1.

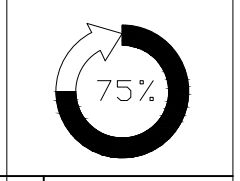


A M6*12
4X

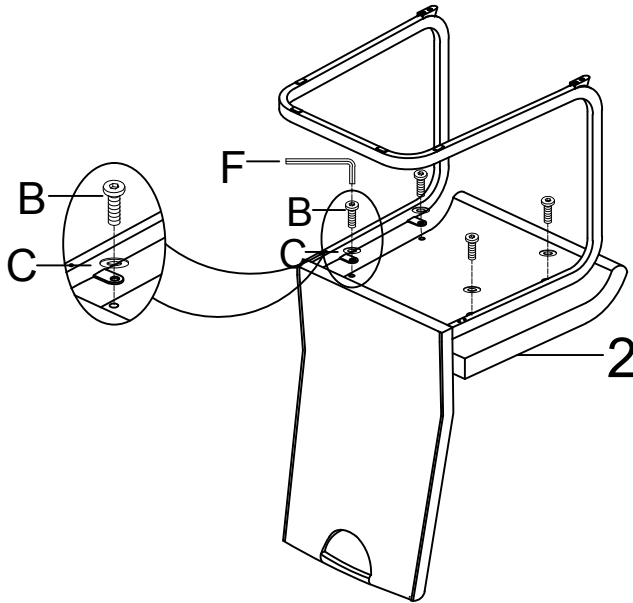
D M4*20
4X

E 2X

F 4mm
 1X



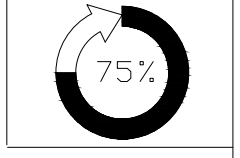
2.



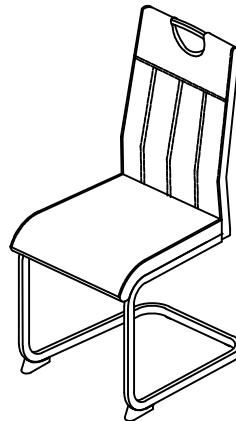
B M6*18
4X

C Ø18*Ø6.5*1.5
4X

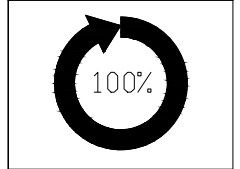
F 4mm
 1X



3.



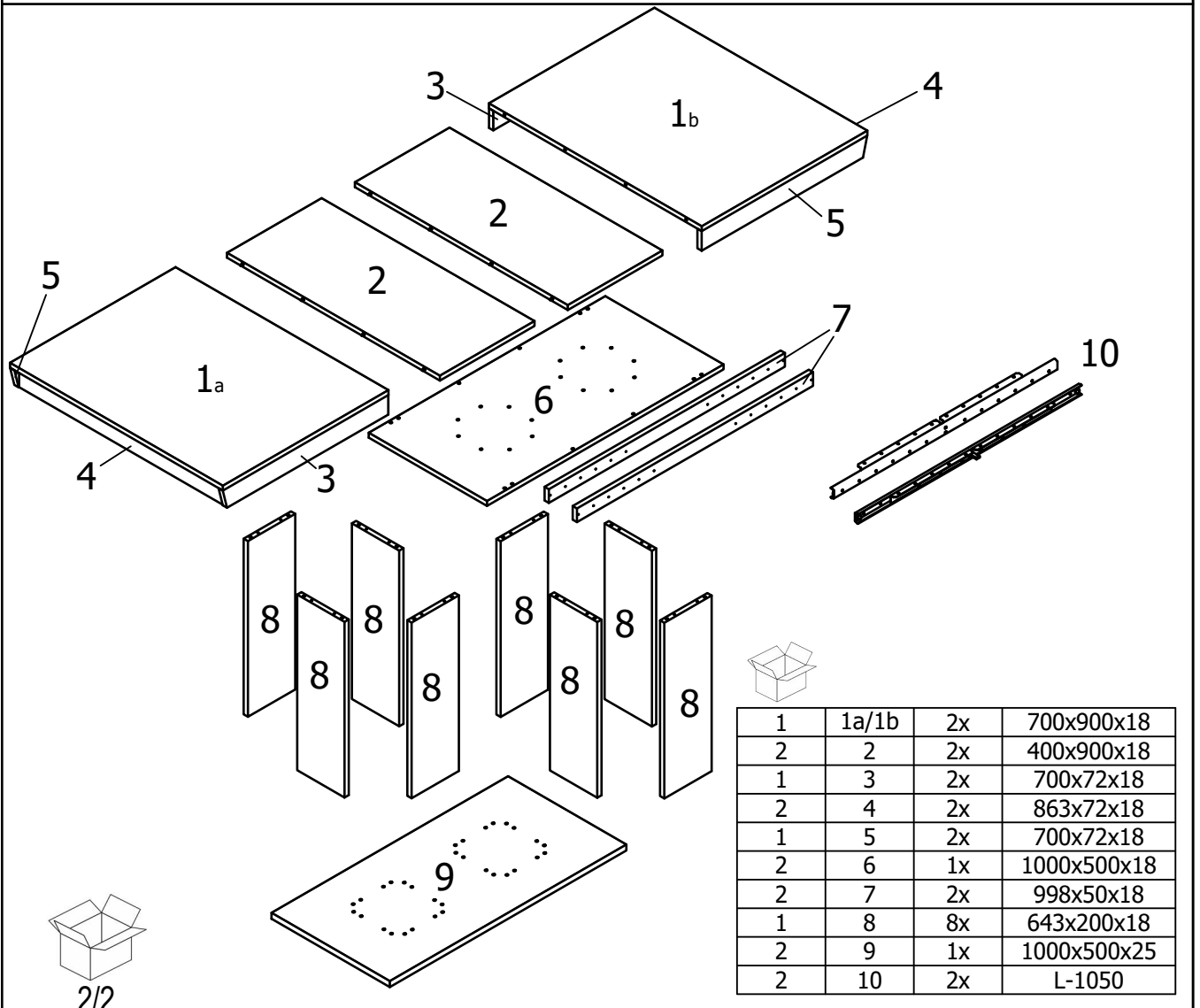
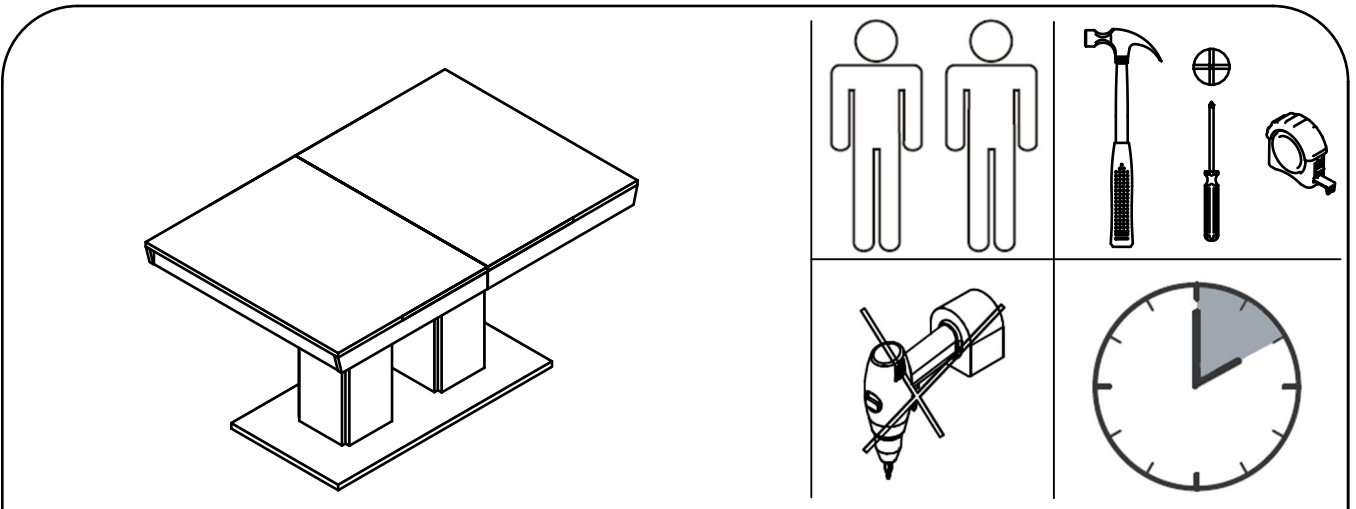
F 4mm
 1X



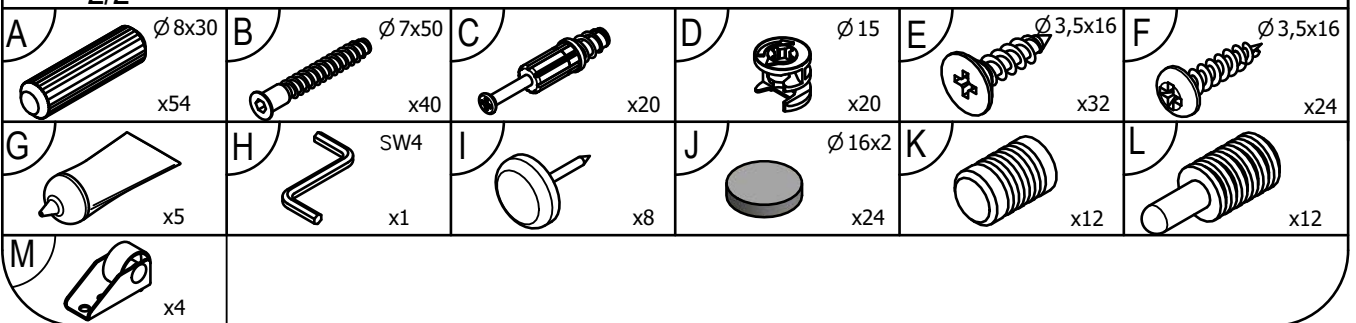
**LE TRI
+ FACILE**



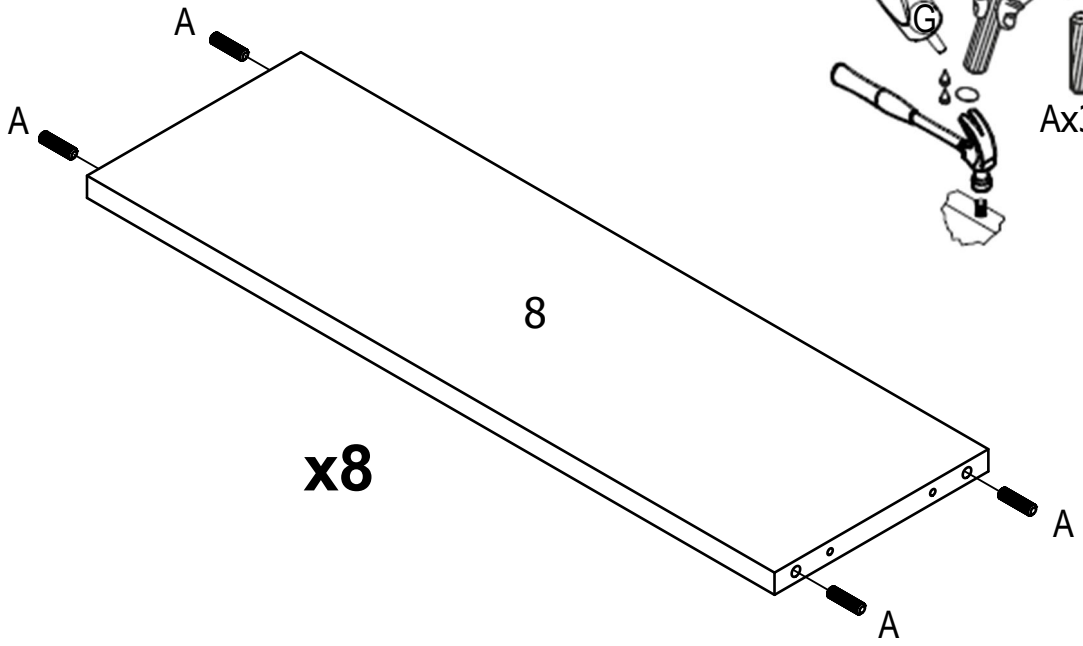
Séparez les éléments avant de trier



1	1a/1b	2x	700x900x18
2	2	2x	400x900x18
1	3	2x	700x72x18
2	4	2x	863x72x18
1	5	2x	700x72x18
2	6	1x	1000x500x18
2	7	2x	998x50x18
1	8	8x	643x200x18
2	9	1x	1000x500x25
2	10	2x	L-1050



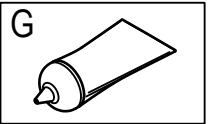
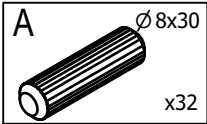
I.



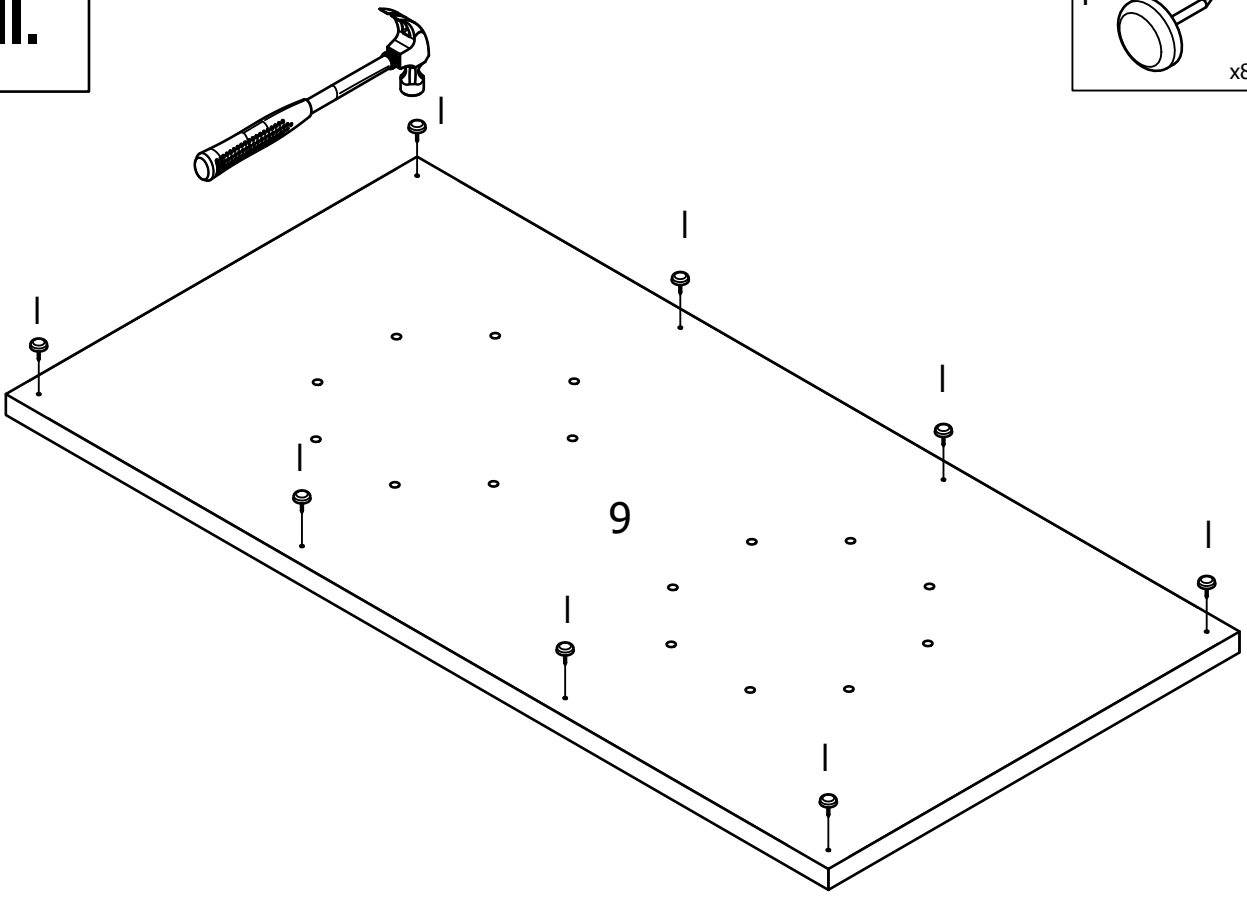
x8

8

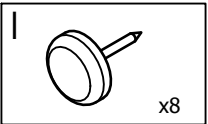
Ax32



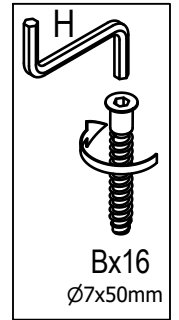
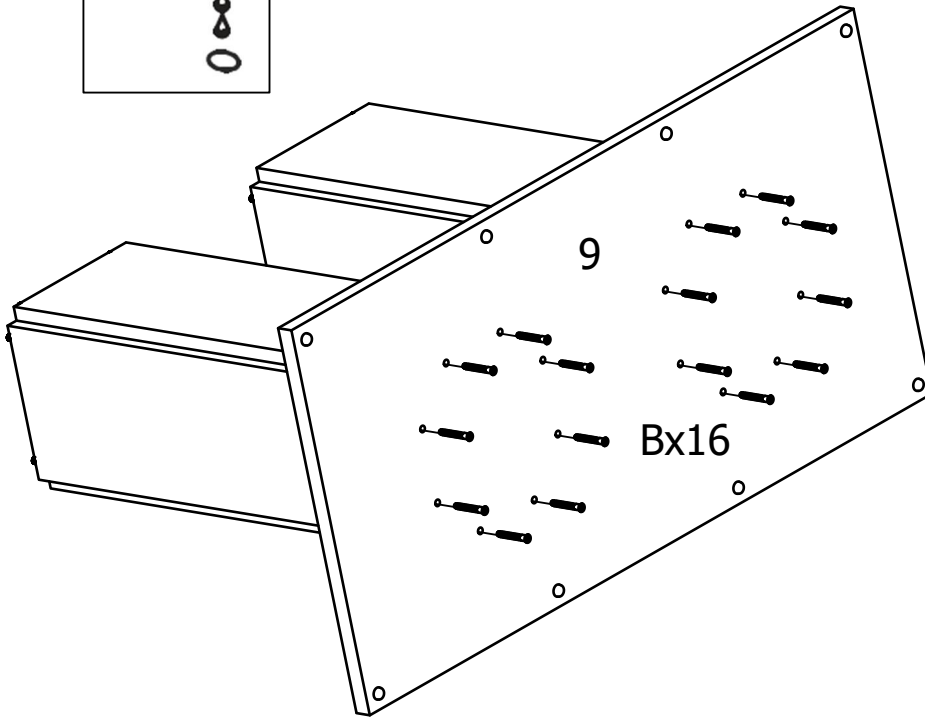
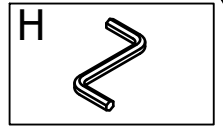
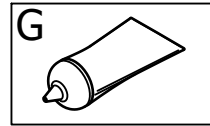
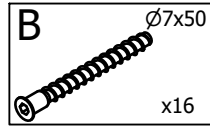
II.



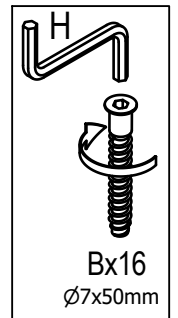
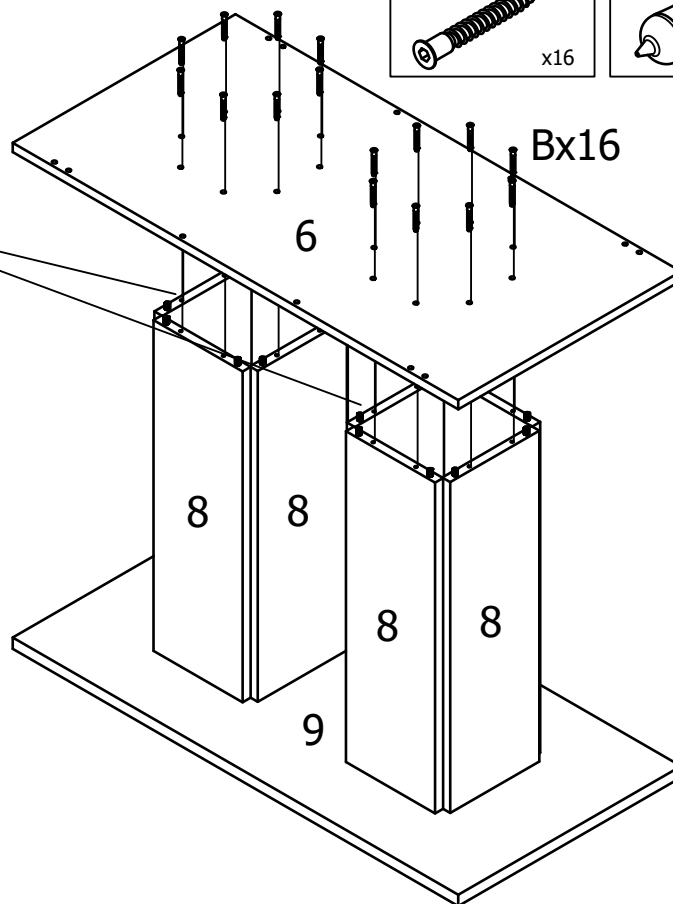
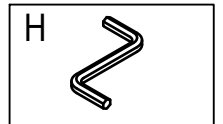
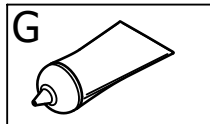
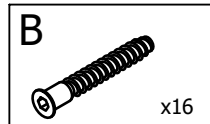
9



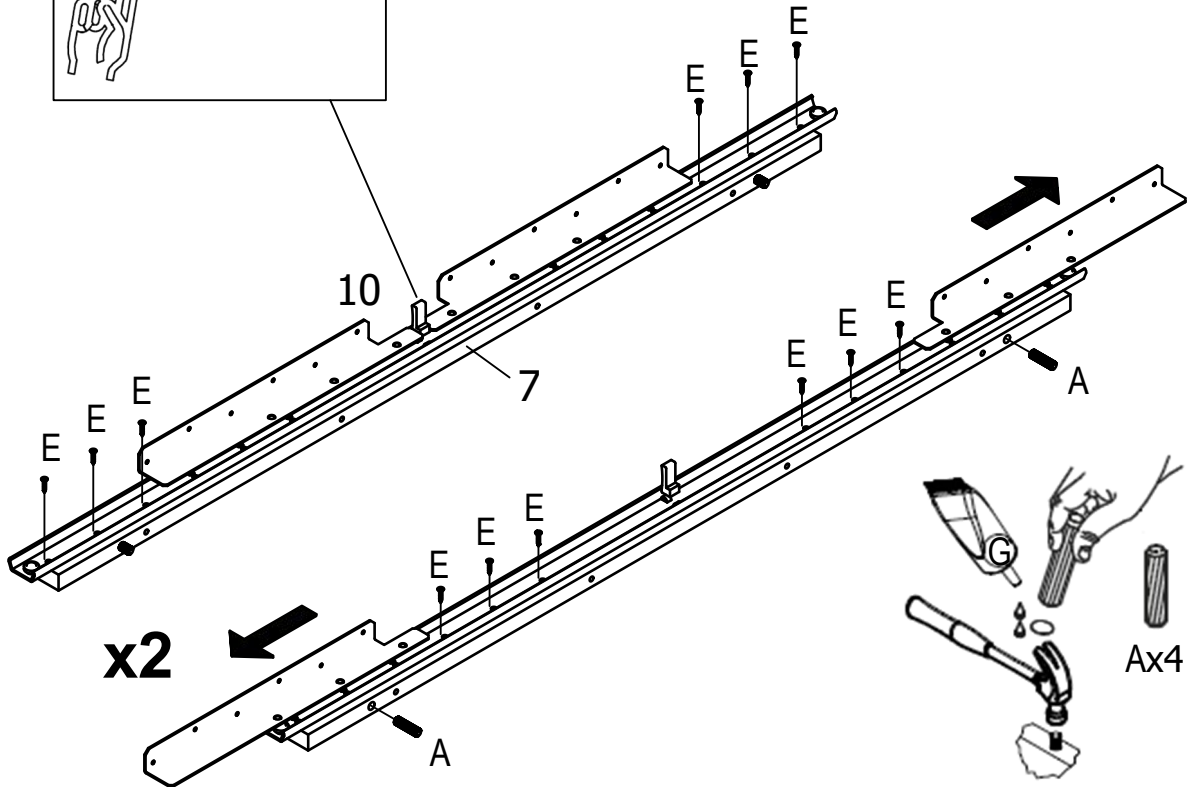
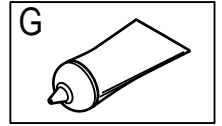
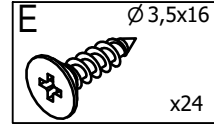
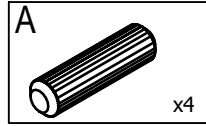
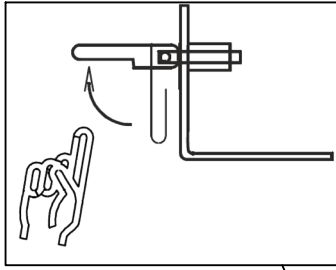
III.



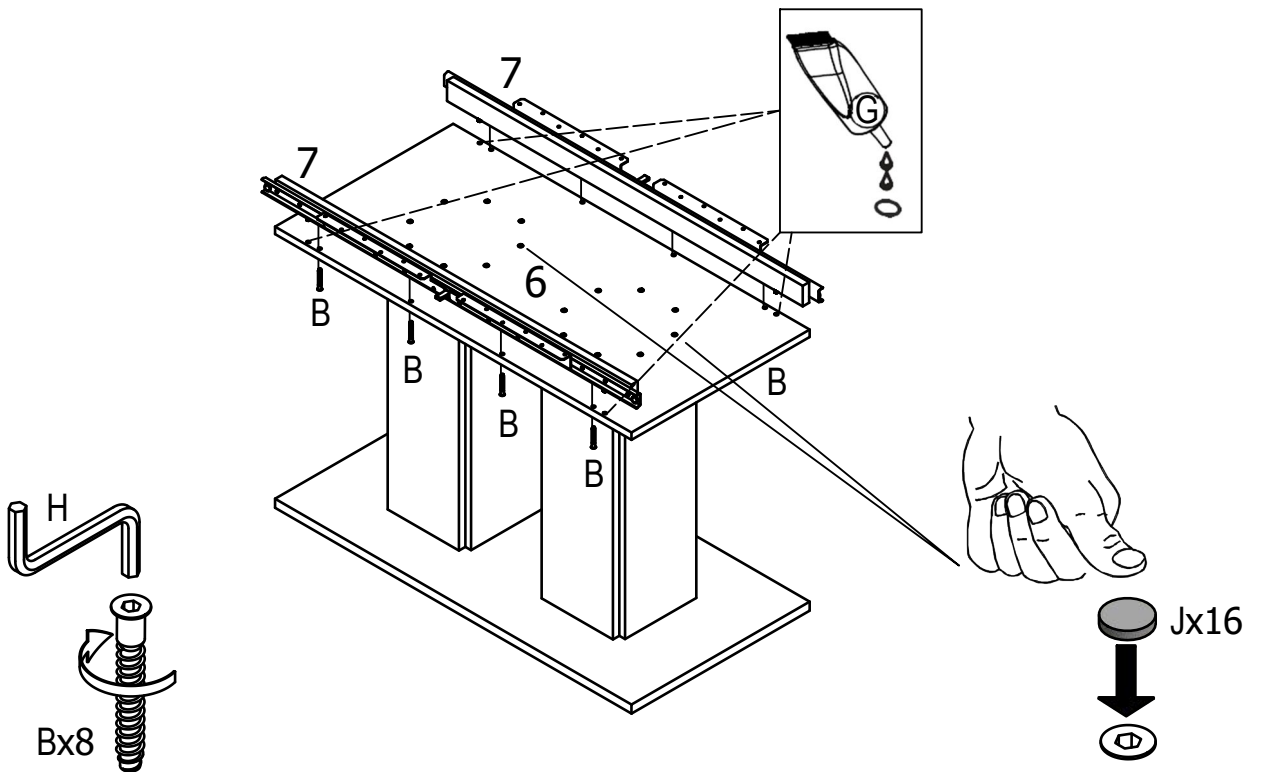
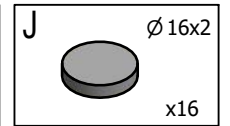
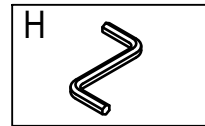
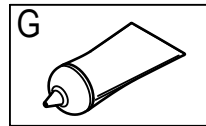
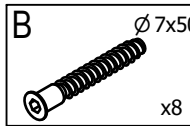
IV.



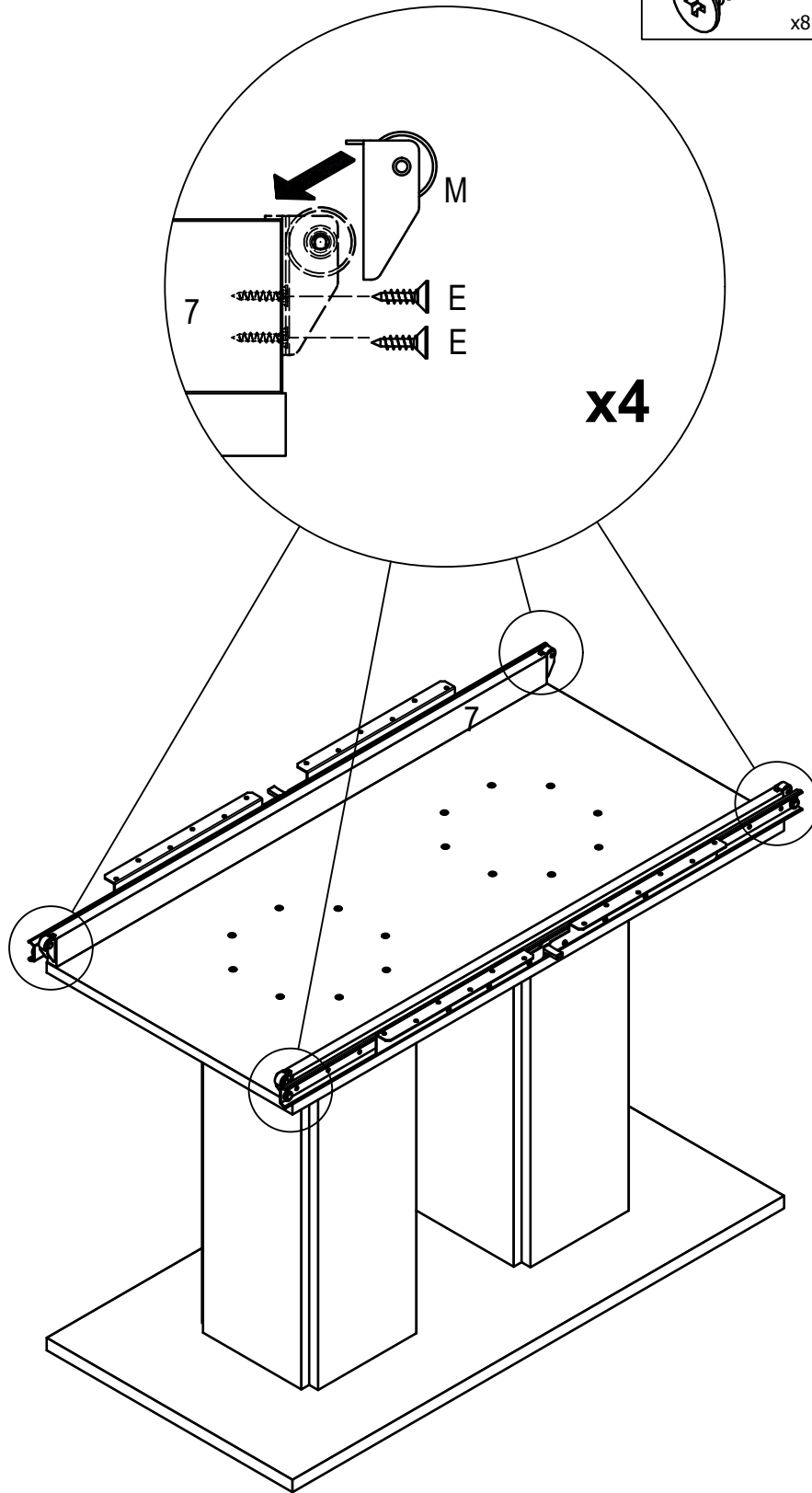
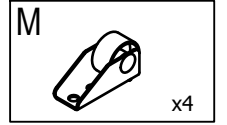
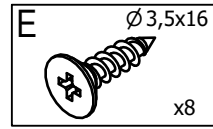
V.



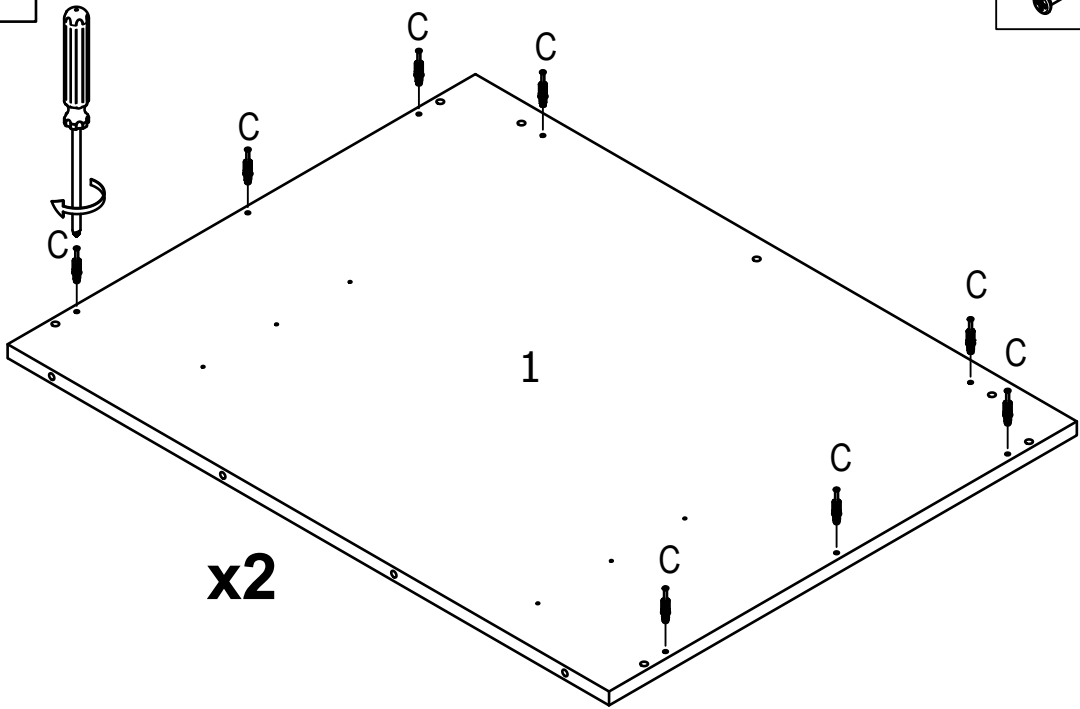
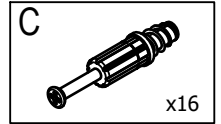
VI.



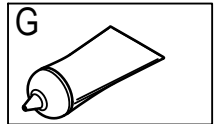
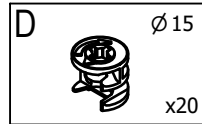
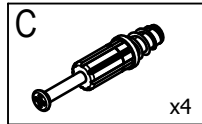
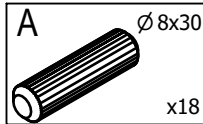
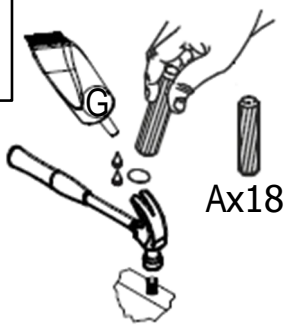
VII.



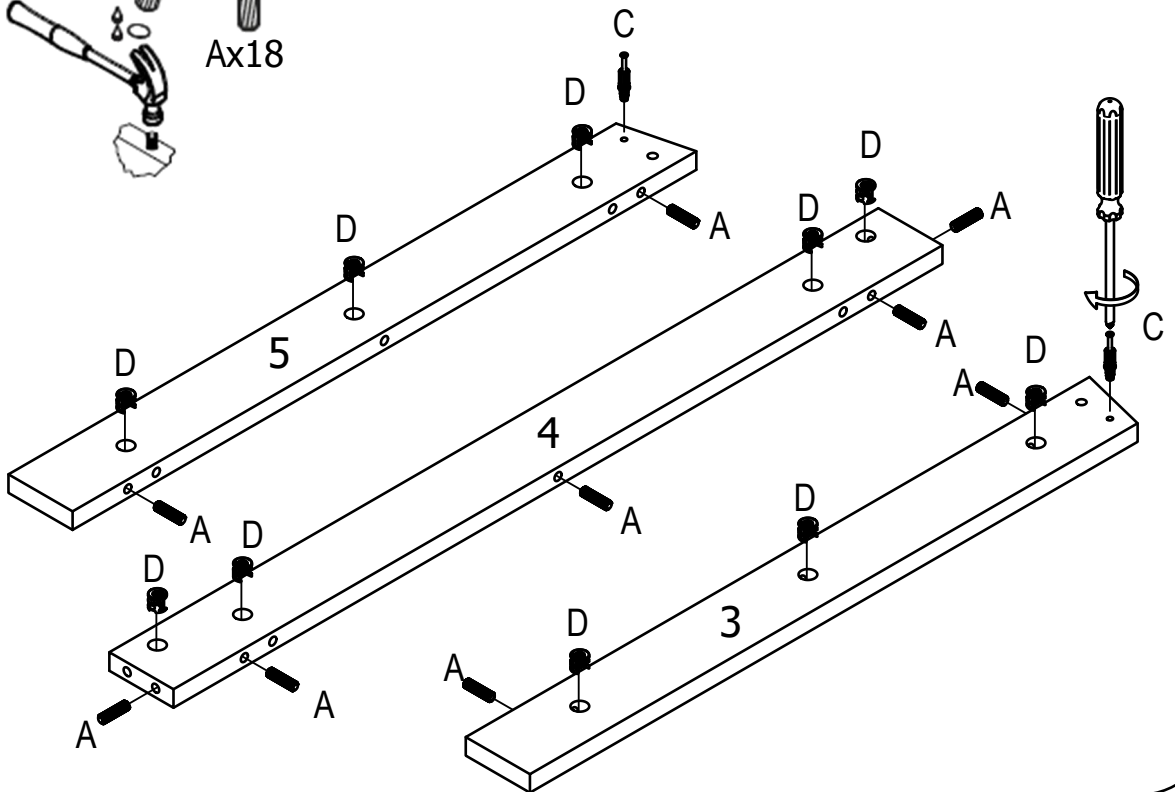
VIII.



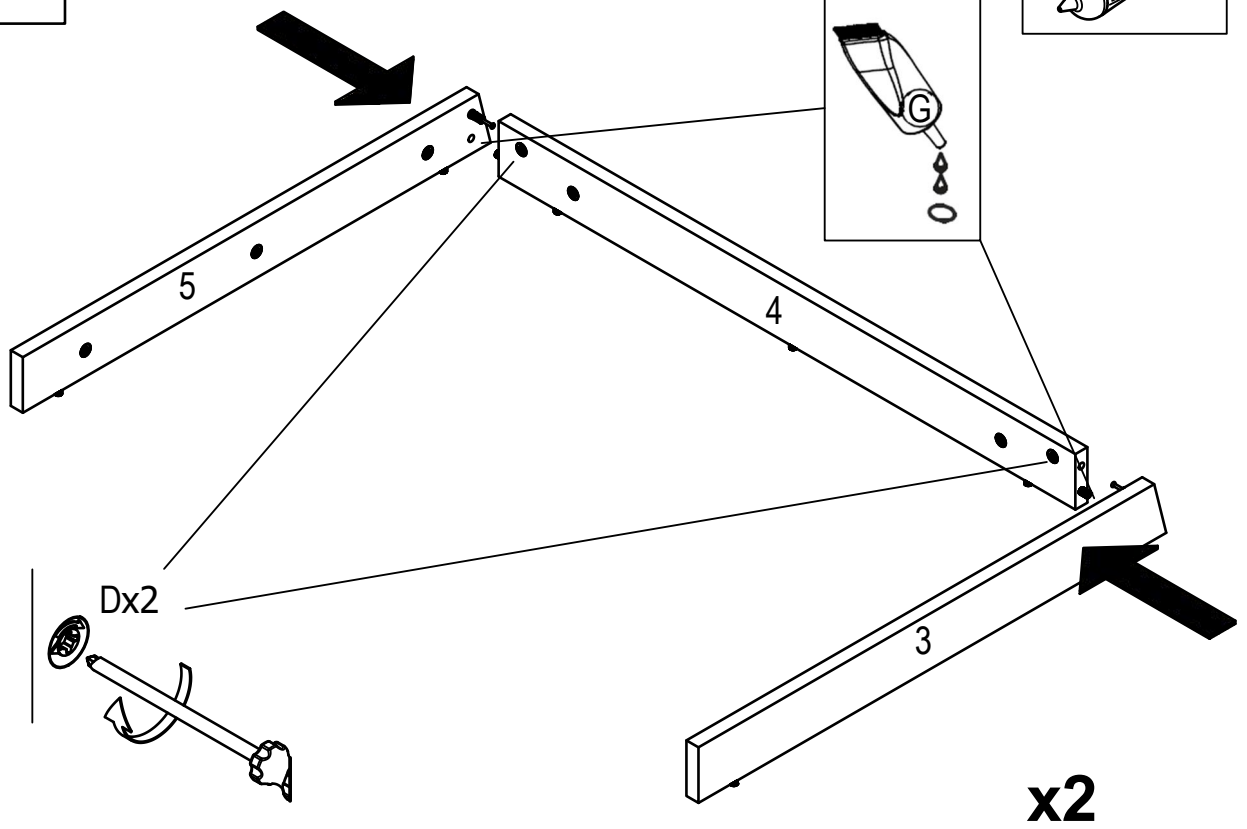
IX.



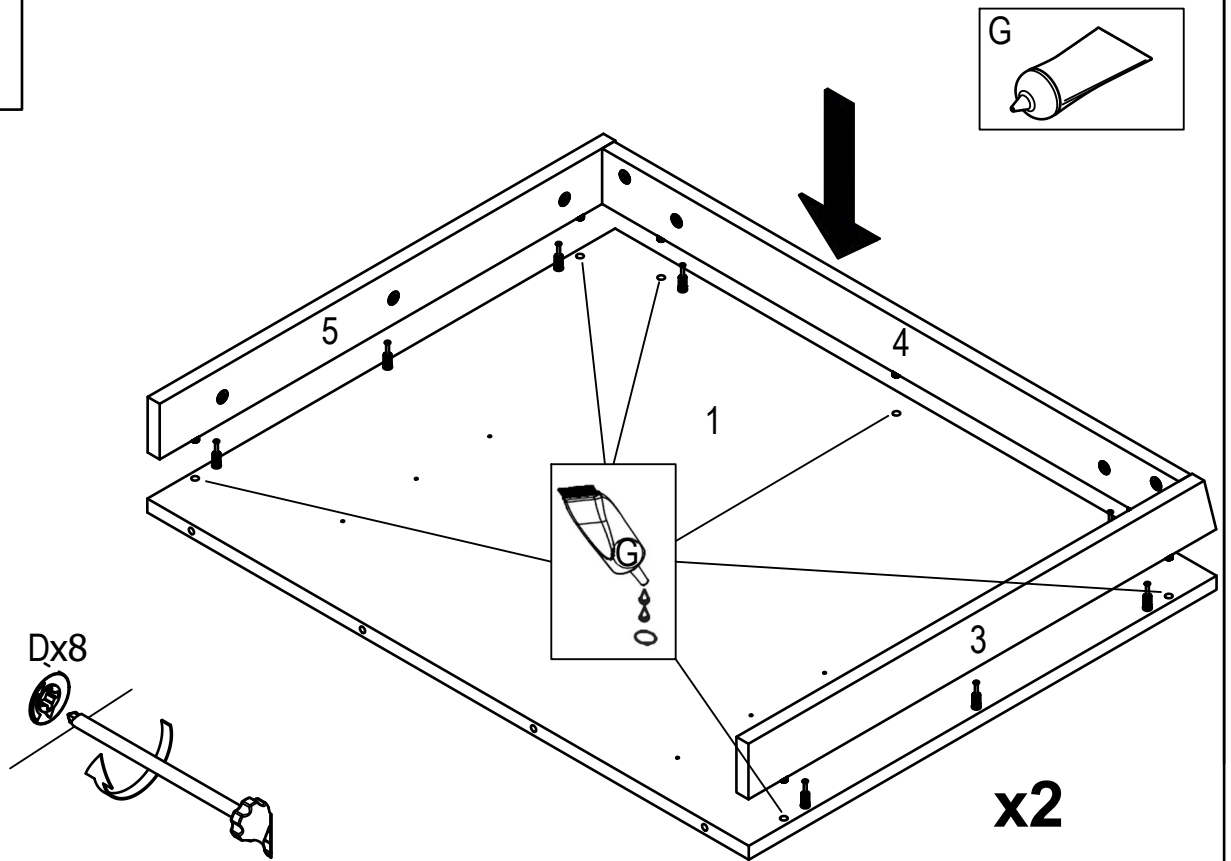
x2



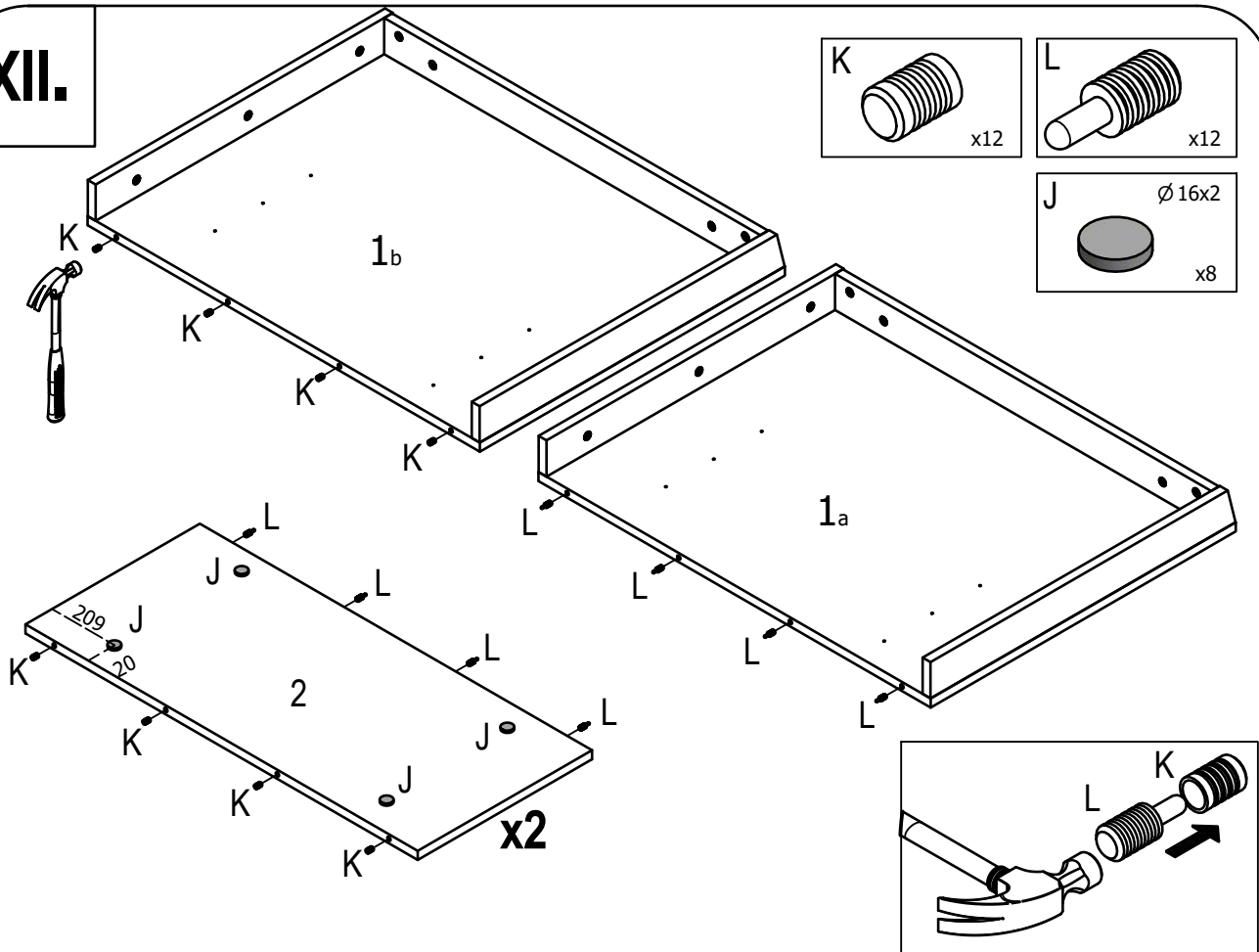
X.



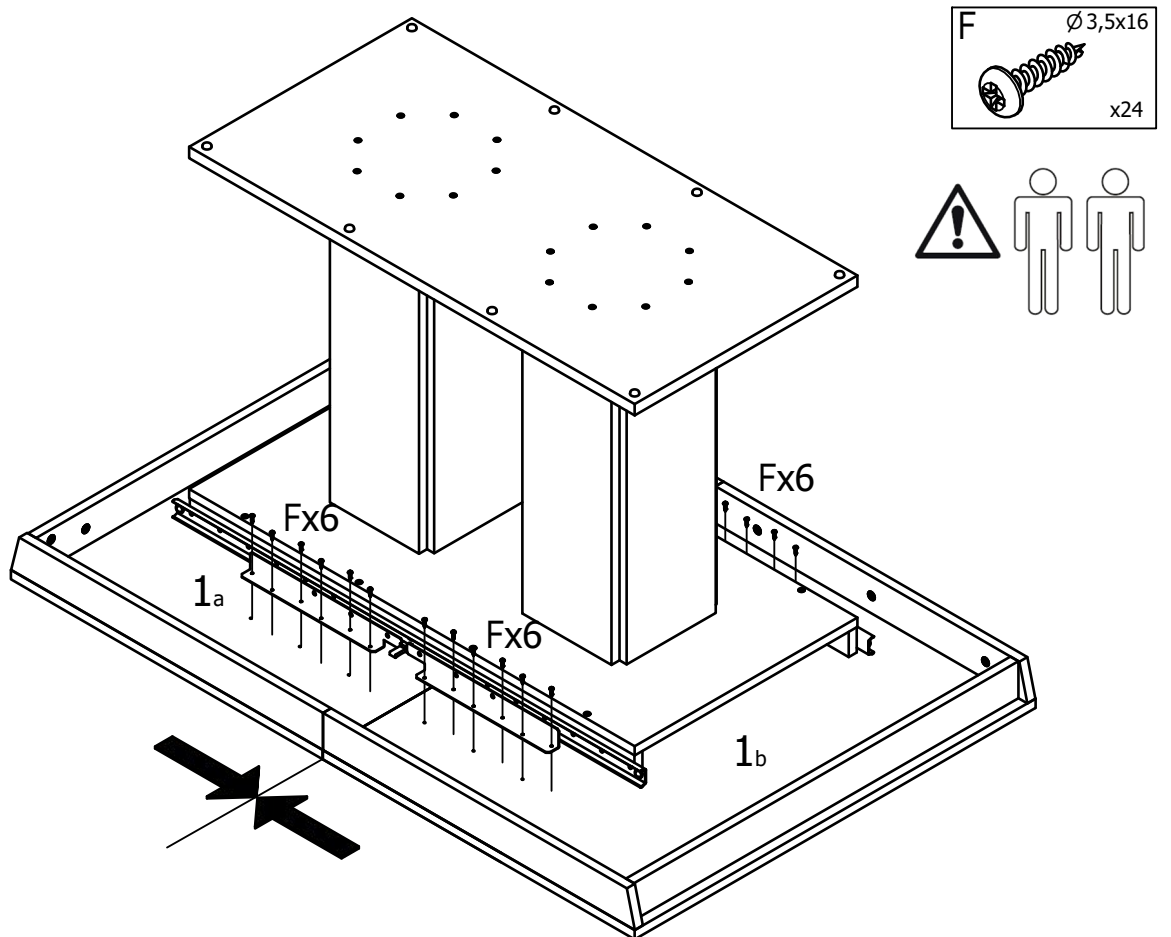
XI.



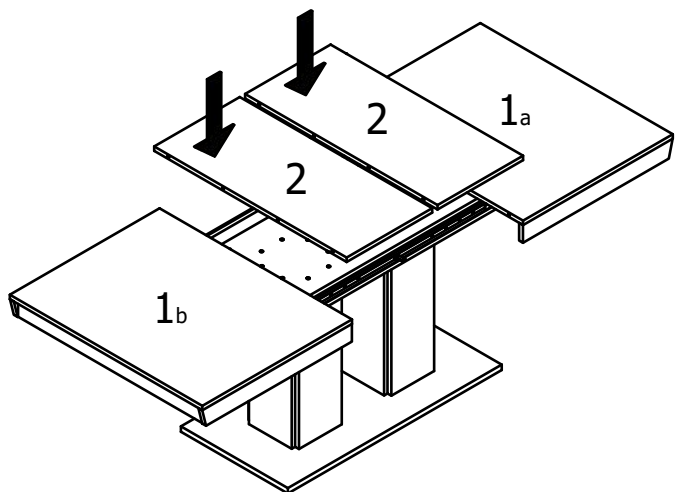
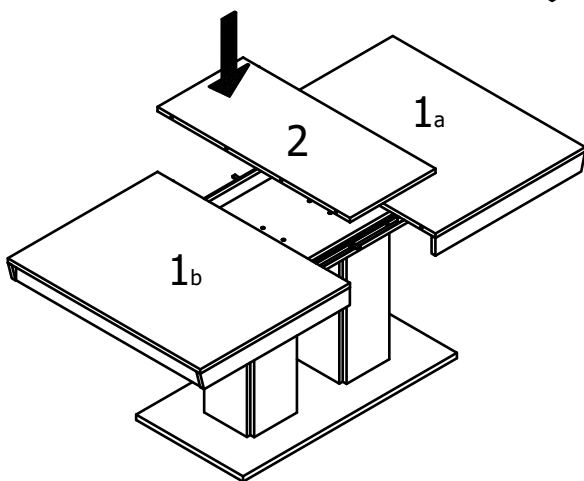
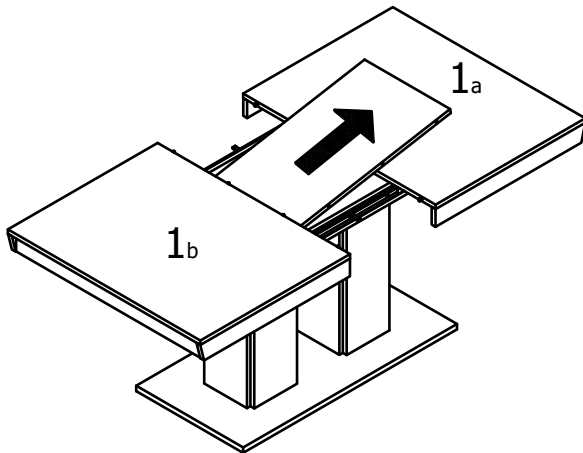
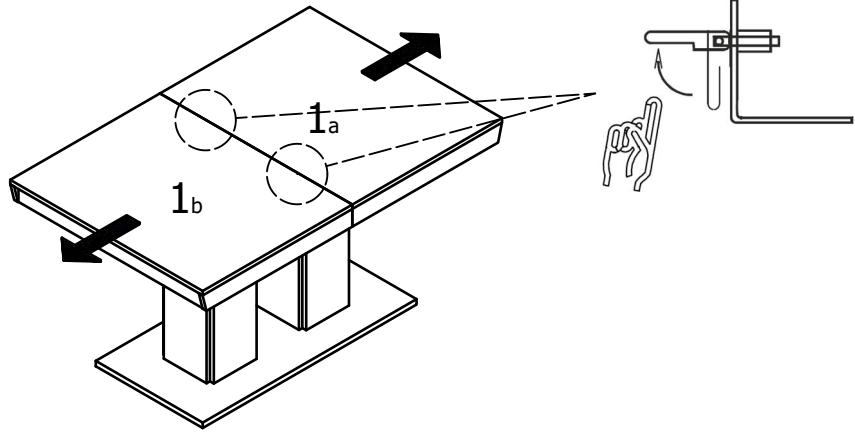
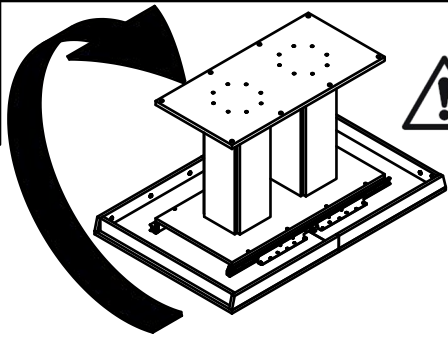
XII.



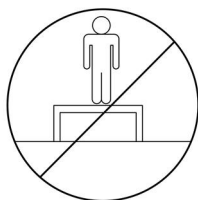
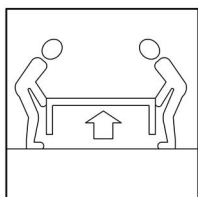
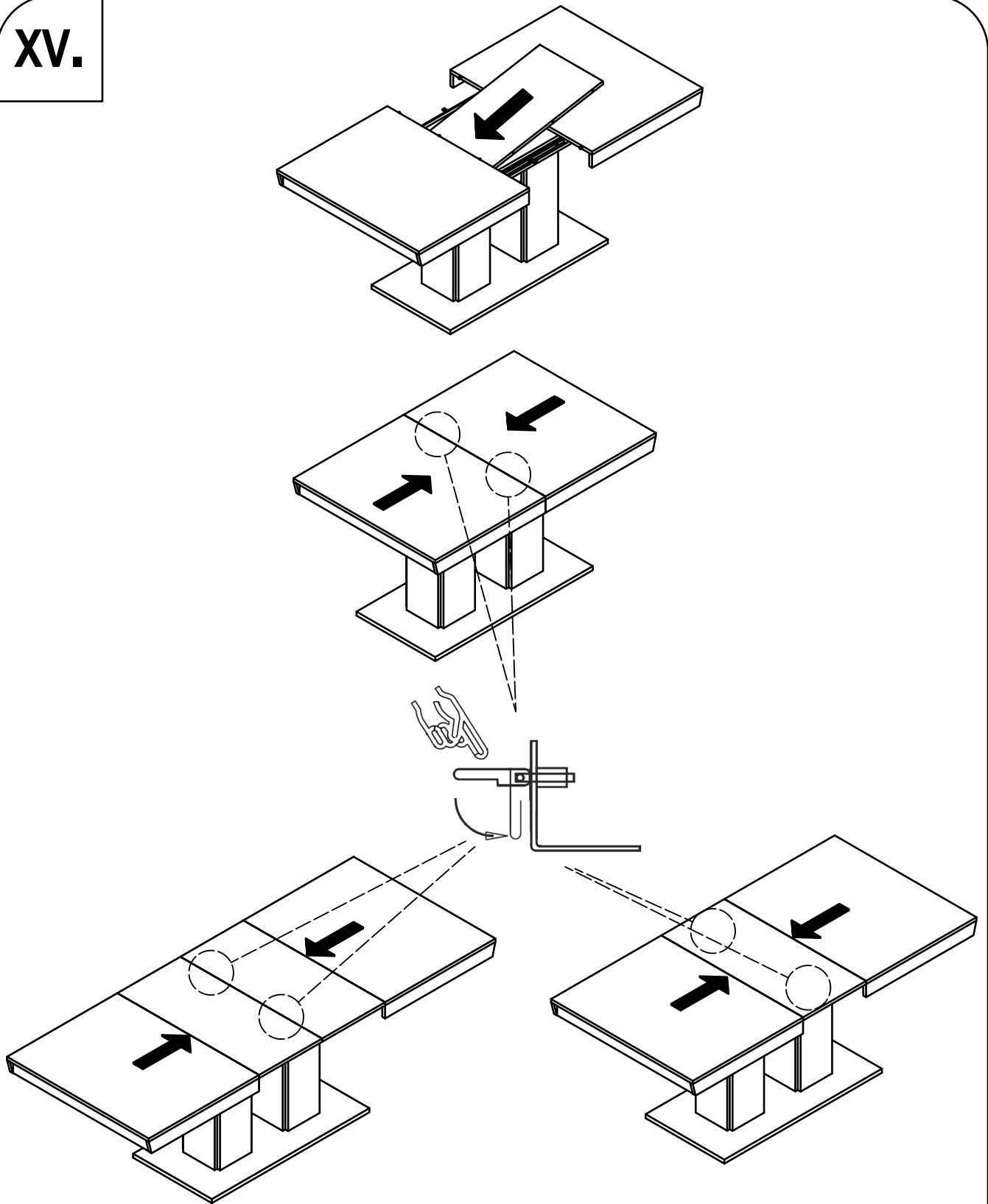
XIII.



XIV.



XV.



Séparez les éléments avant de trier