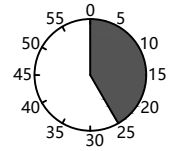
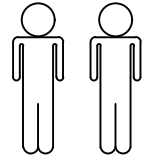
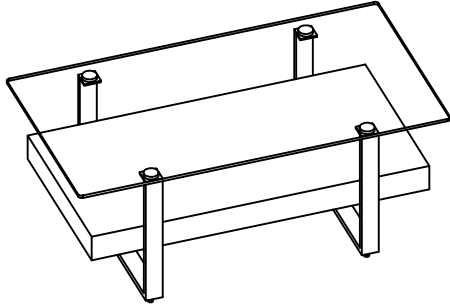
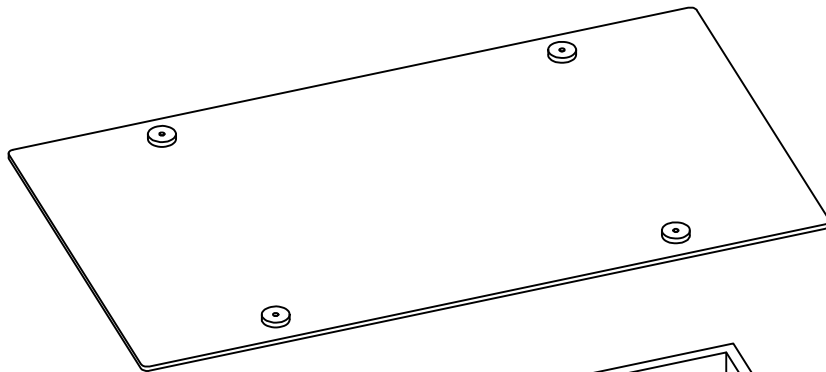


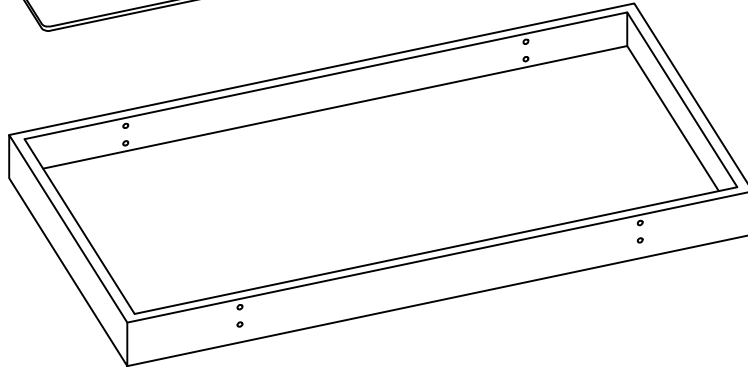
Konrad



①

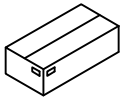
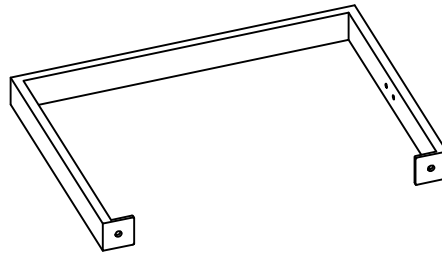


②

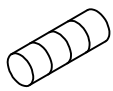
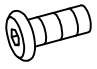




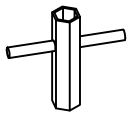


1	1x
2	1x
3	2x

③

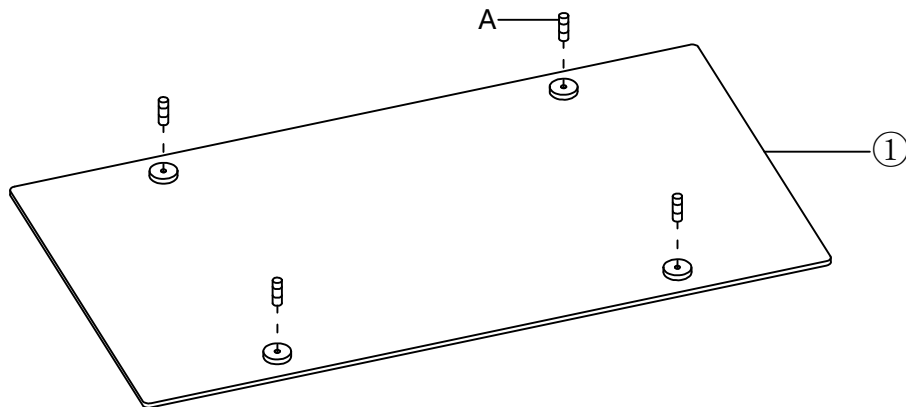


1/1

<p>A M8x20mm</p>  <p>4x</p>	<p>B M6x30mm</p>  <p>8x</p>	<p>C $\Phi 16 \times \Phi 6 \times 1 \text{mm}$</p>  <p>8x</p>	<p>D $\Phi 18 \times \Phi 8 \times 1.5 \text{mm}$</p>  <p>4x</p>
<p>D M8</p>  <p>4x</p>	<p>E M4</p>  <p>1x</p>	<p>F M8</p>  <p>1x</p>	

I.

1



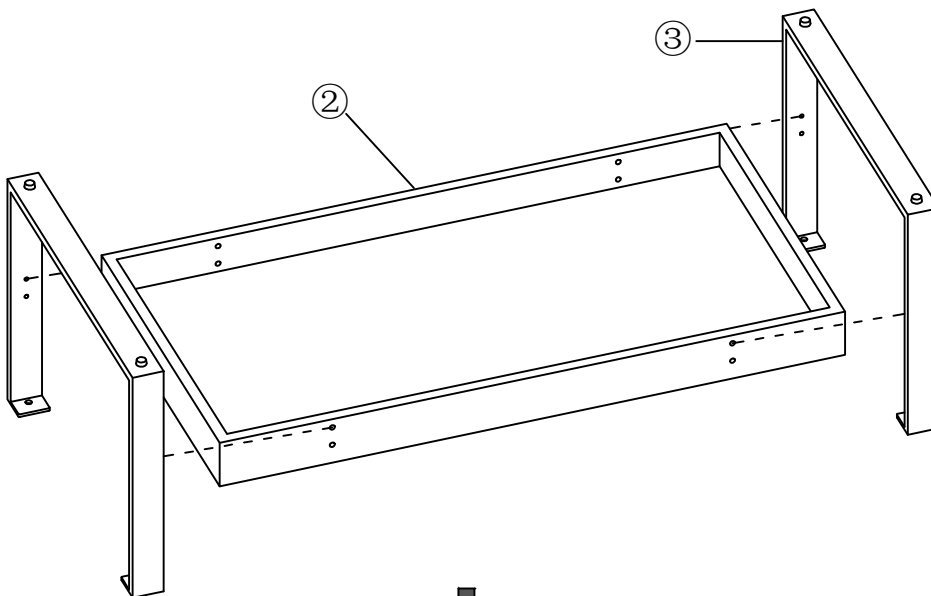
A M8x20mm



4x



2



B M6x30mm



8x

C $\Phi 16 \times \Phi 6 \times 1 \text{mm}$

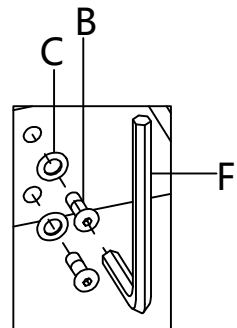
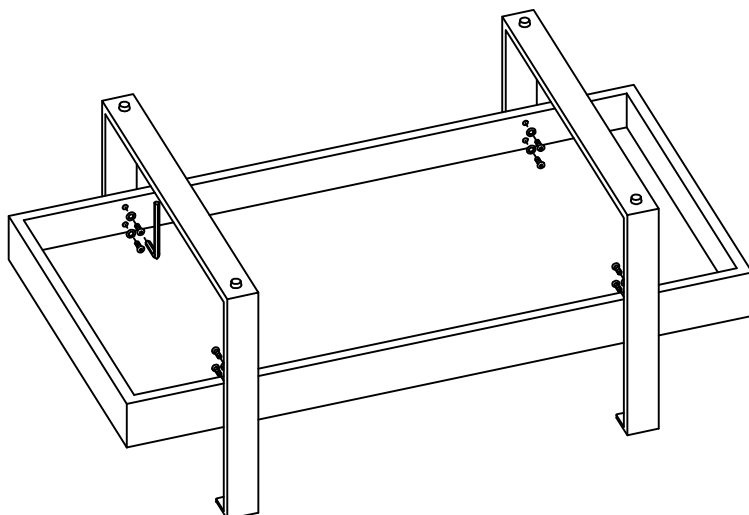


8x

F M4

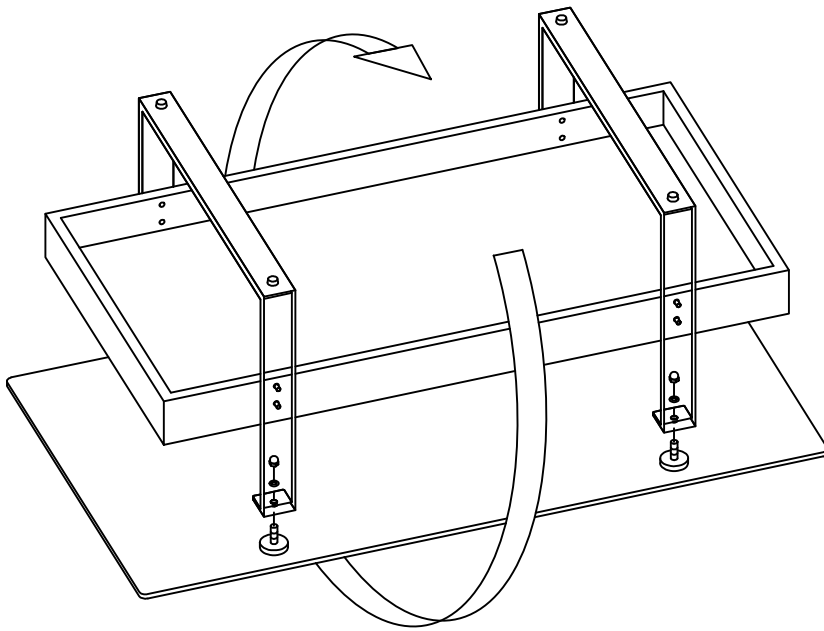


1x



II.

3



D $\Phi 18 \times \Phi 8 \times 1.5 \text{mm}$



4x

E M8

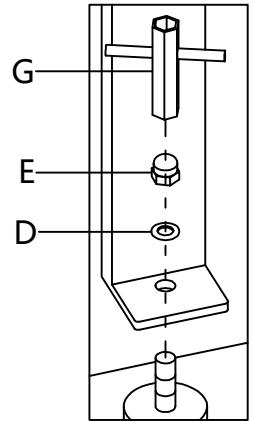


4x

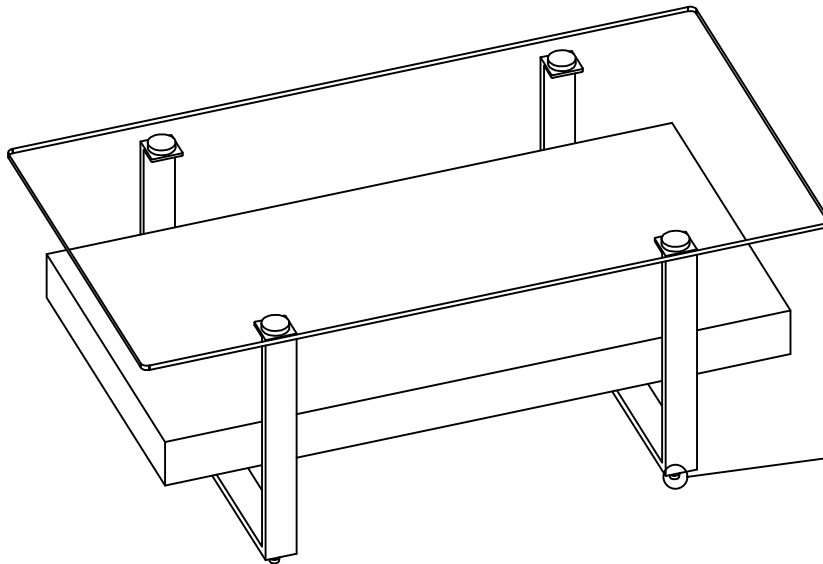
G M8



1x



4



F M4



1x

