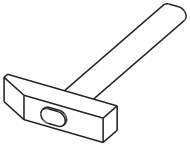
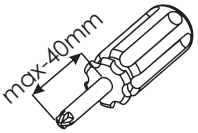
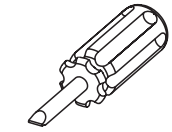
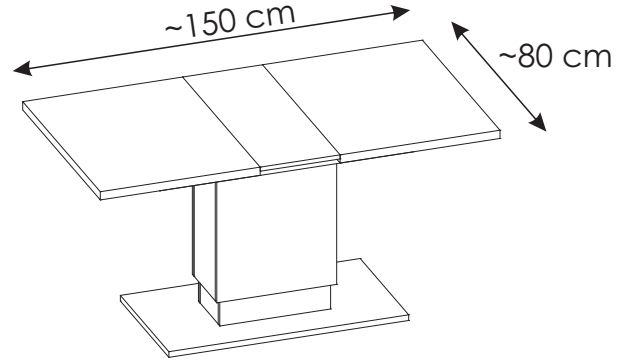
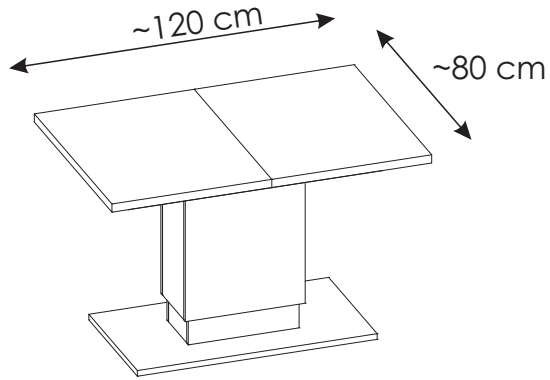
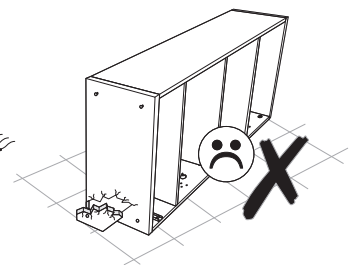
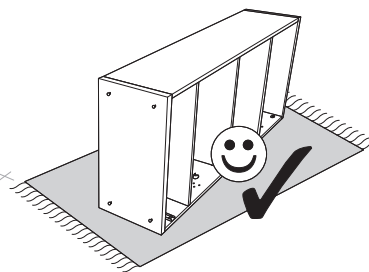
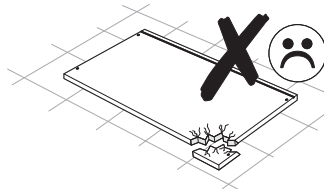
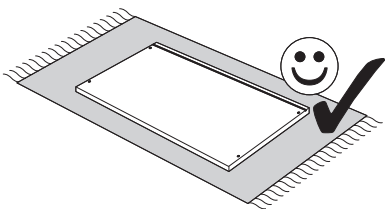
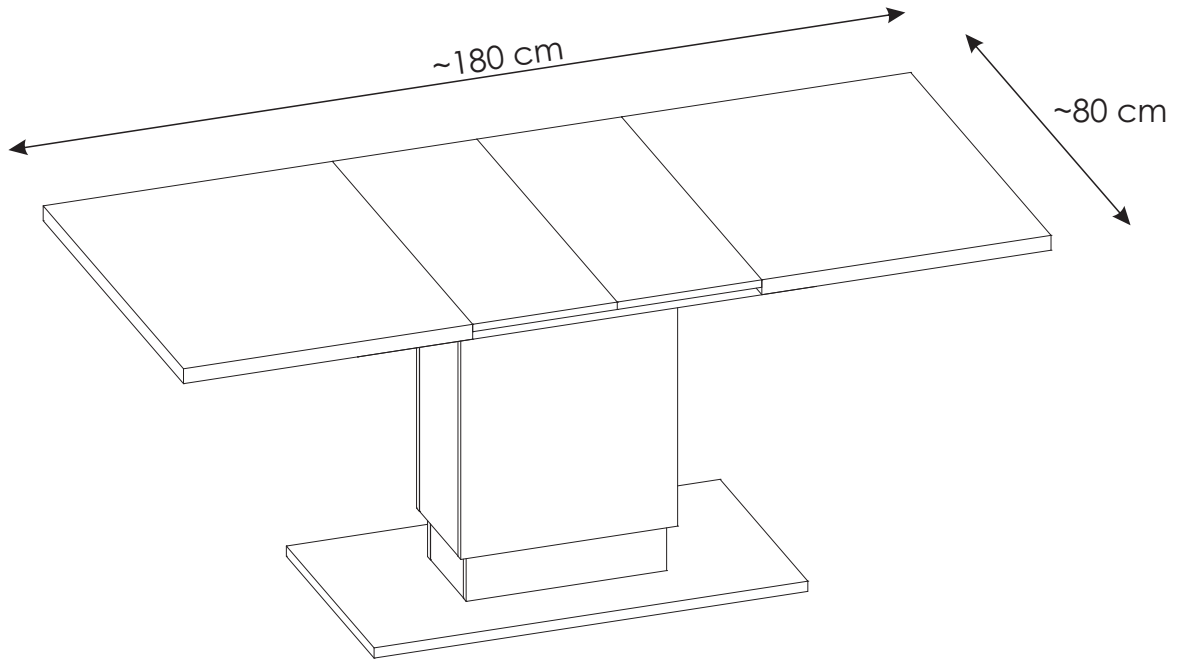
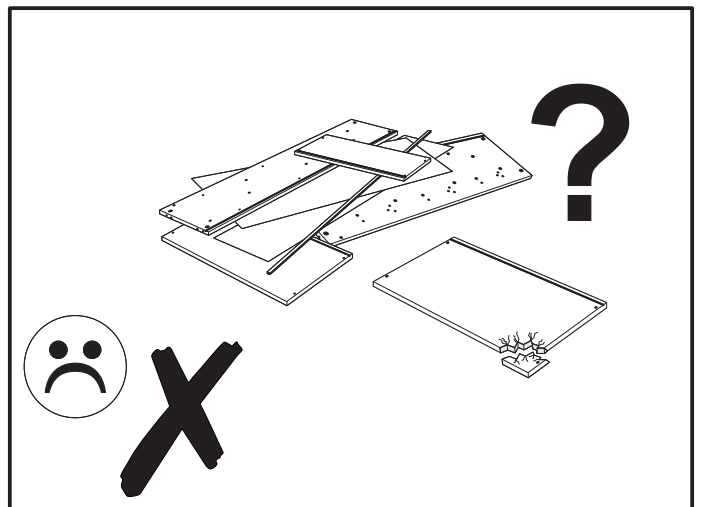
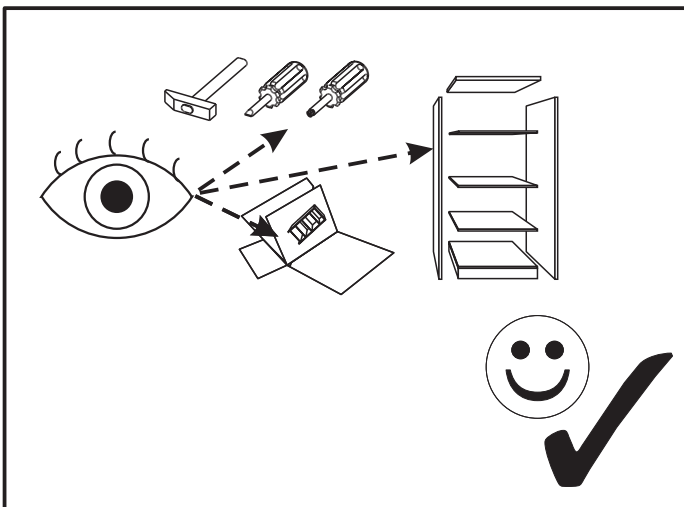
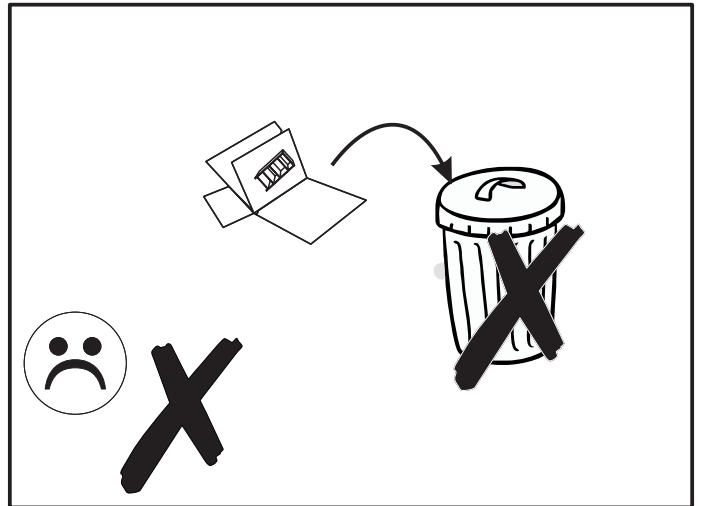
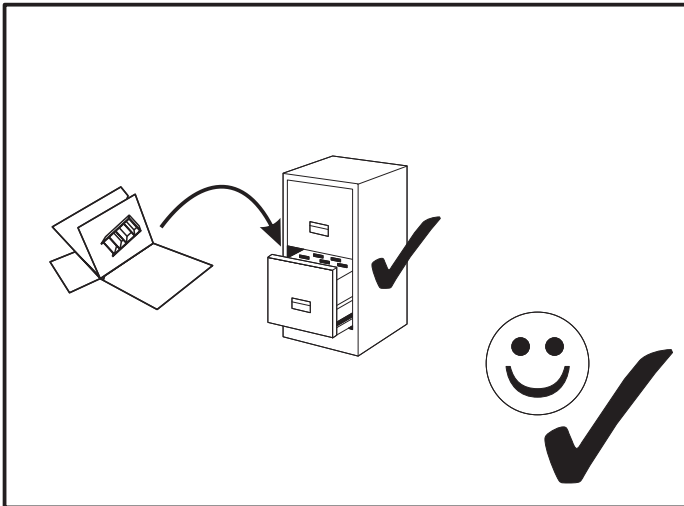
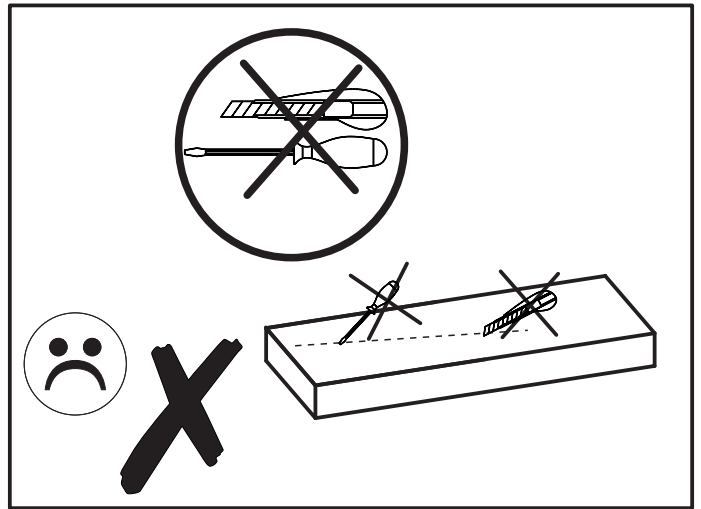
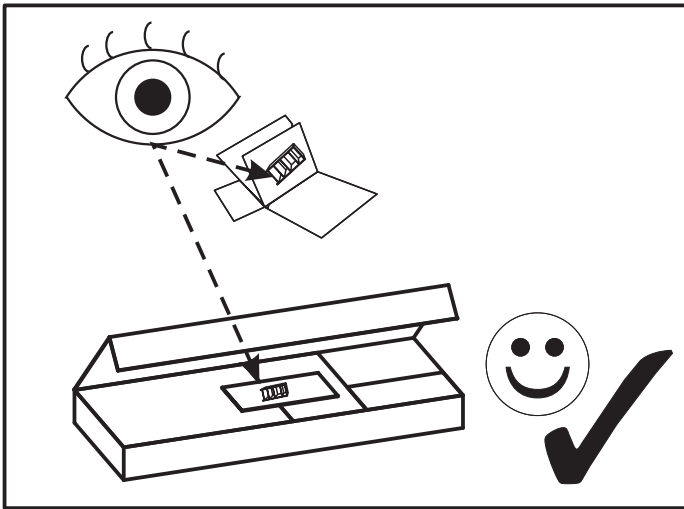


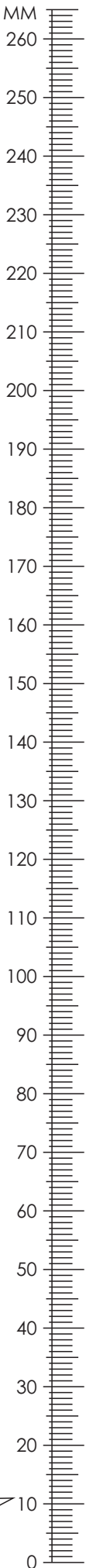
PAL




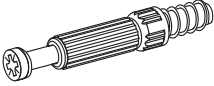

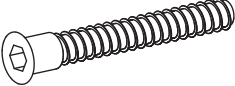


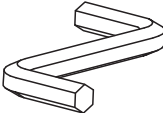

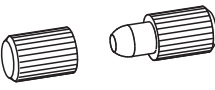
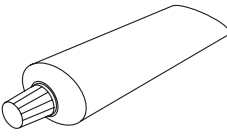
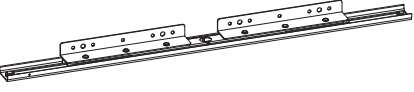


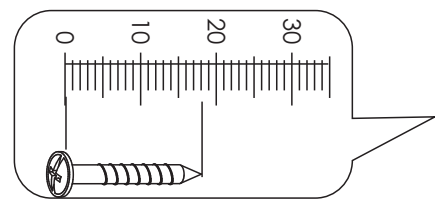
~76,2 cm

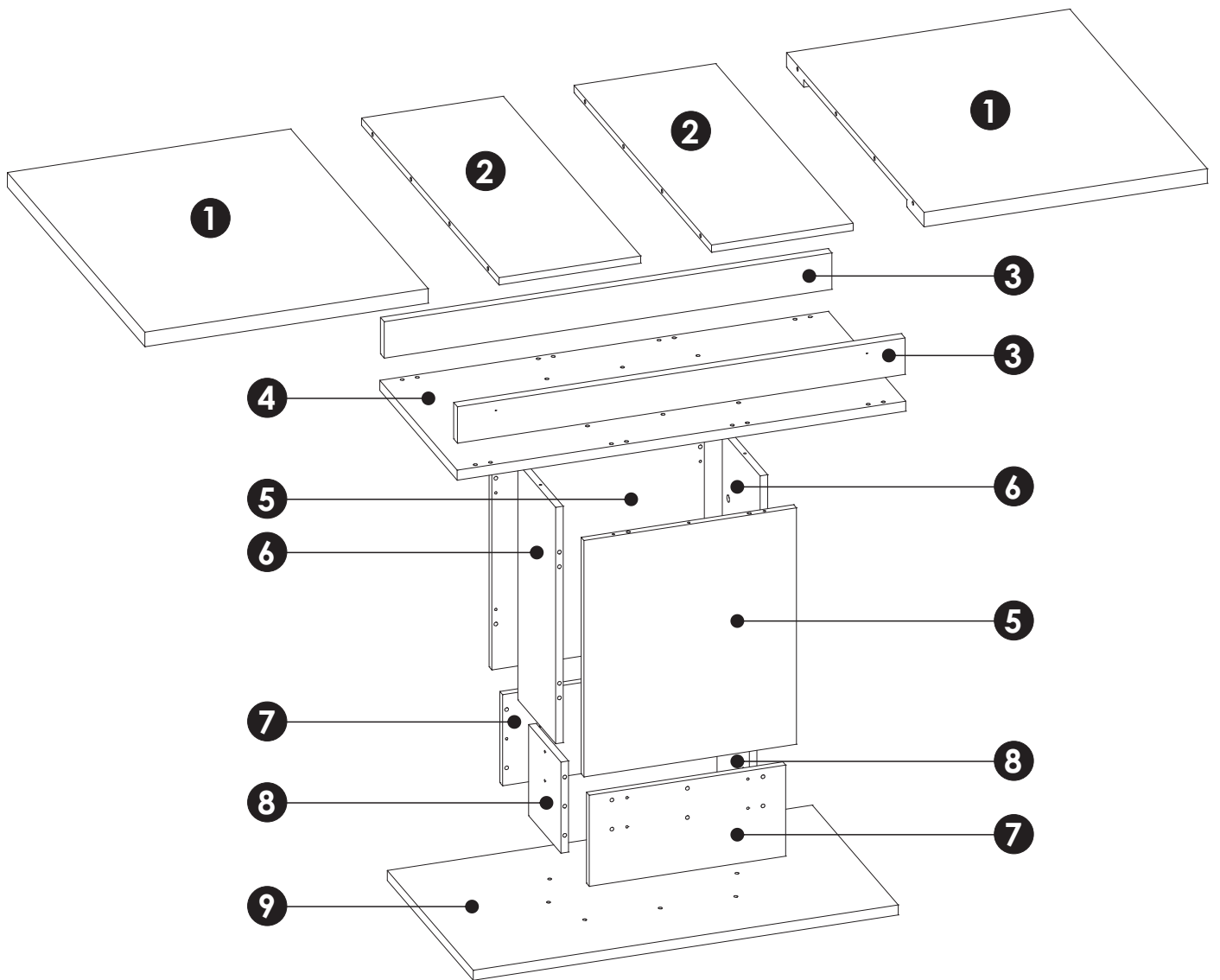
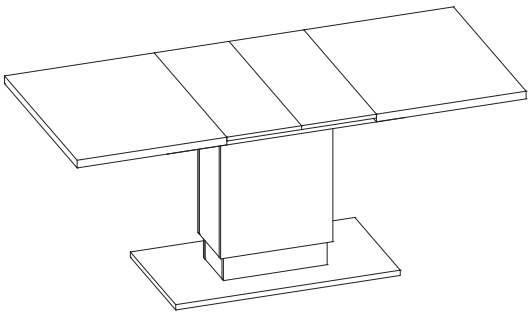






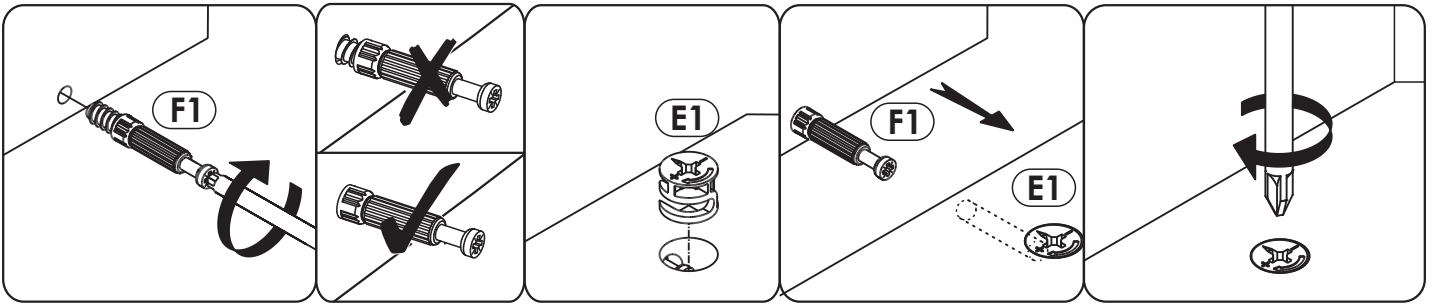
| | | |
|--|---|---|
| A1 8 x 35 mm x30  | A5 8 x 20 mm x12  | E1 15 x 12 mm x12  |
| F1 6 x 34 mm x12  | G0 x16  | G2 7 x 60 mm x22  |
| I2 4 x 16 mm x44  | I11 4 x 27 mm x12  | M x1  |
| O2A ø20 x18  | R8 x12  | S x1  |
| T11 x2  | | |



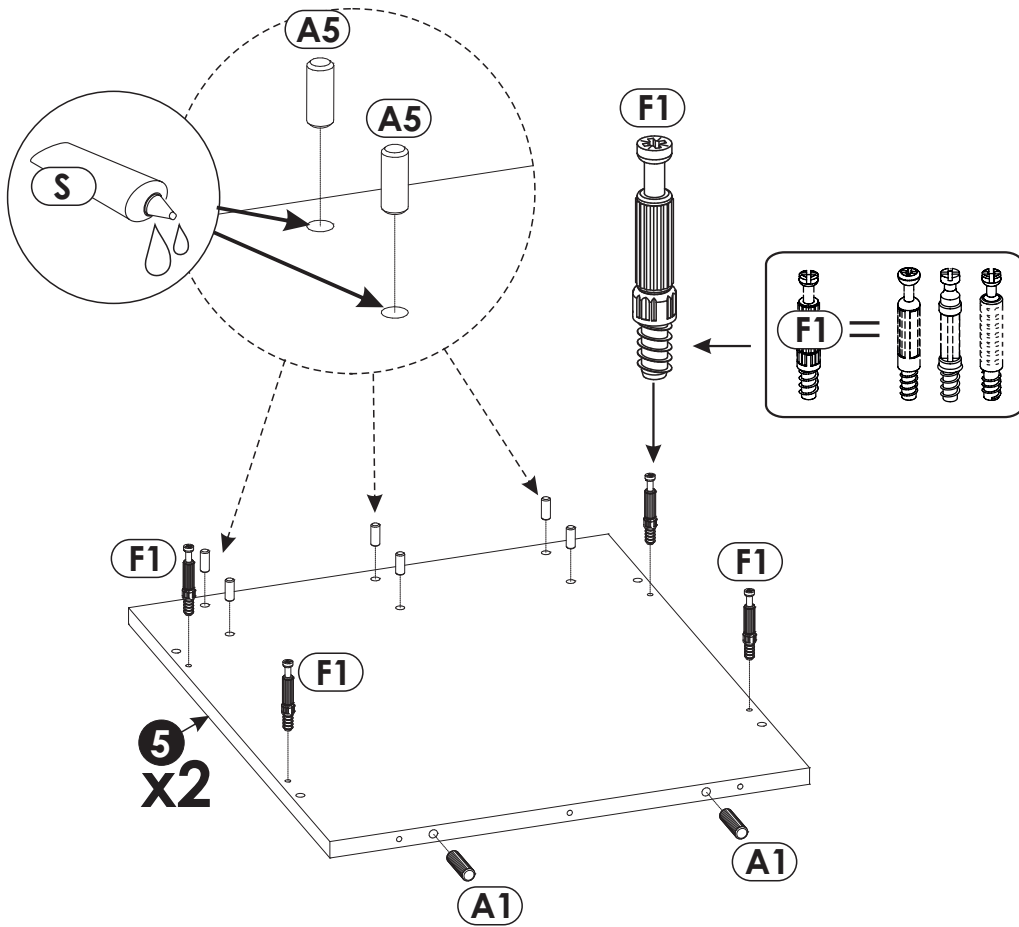


| | | | | | |
|----------|-----|-----|----|----|-----|
| 1 | 600 | 800 | 32 | x2 | 2/2 |
| 2 | 300 | 800 | 16 | x2 | 2/2 |
| 3 | 948 | 80 | 22 | x2 | 1/2 |
| 4 | 950 | 450 | 22 | x1 | 1/2 |

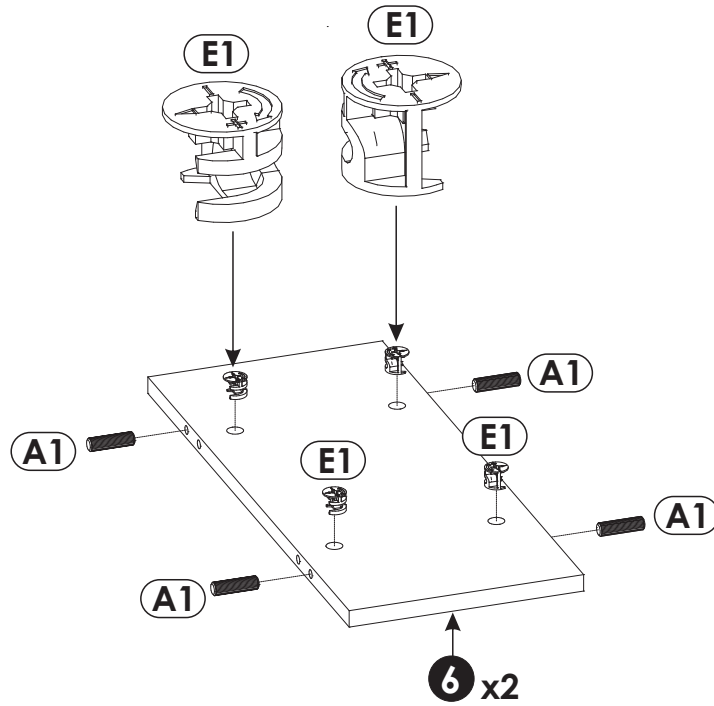
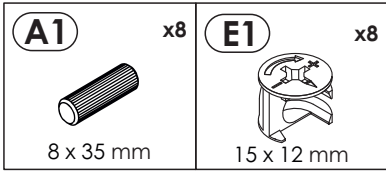
| | | | | | |
|----------|-----|-----|----|----|-----|
| 5 | 519 | 450 | 16 | x2 | 2/2 |
| 6 | 519 | 220 | 16 | x2 | 1/2 |
| 7 | 416 | 200 | 16 | x2 | 1/2 |
| 8 | 200 | 188 | 16 | x2 | 1/2 |
| 9 | 900 | 500 | 22 | x1 | 1/2 |



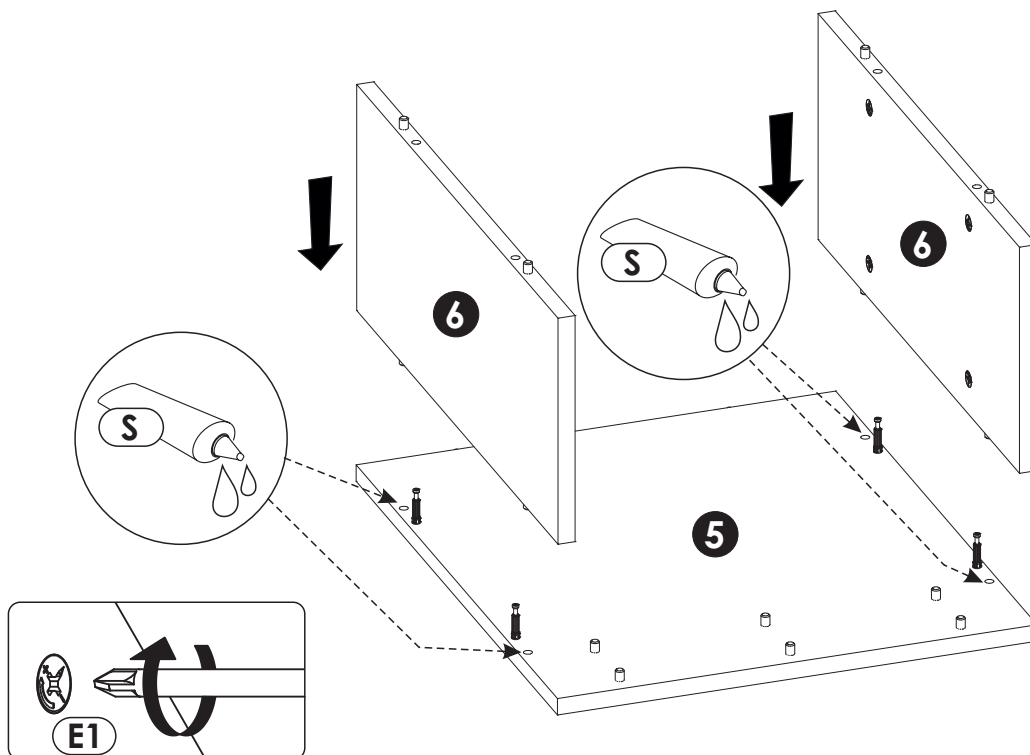
| | | | | | | | |
|-----------|----|-----------|-----|-----------|----|----------|----|
| A1 | x4 | A5 | x12 | F1 | x8 | S | x1 |
| | | | | | | | |
| 8 x 35 mm | | 8 x 20 mm | | 6 x 34 mm | | | |



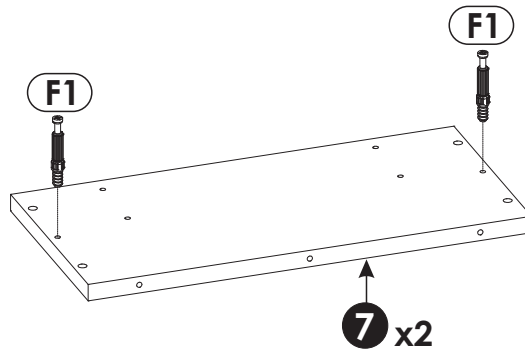
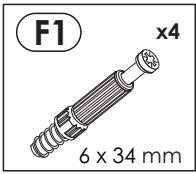
2 ▶



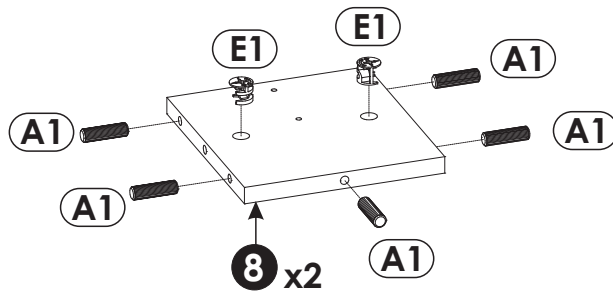
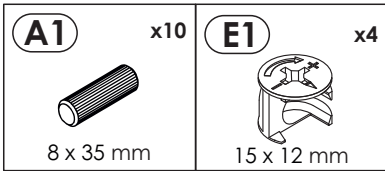
3 ▶



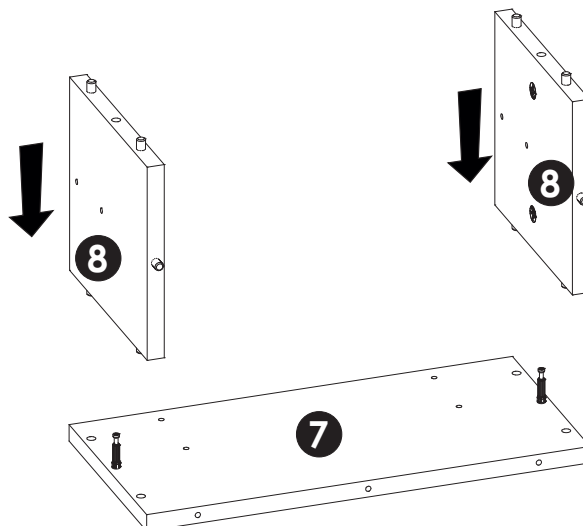
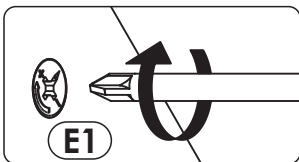
4 ▶



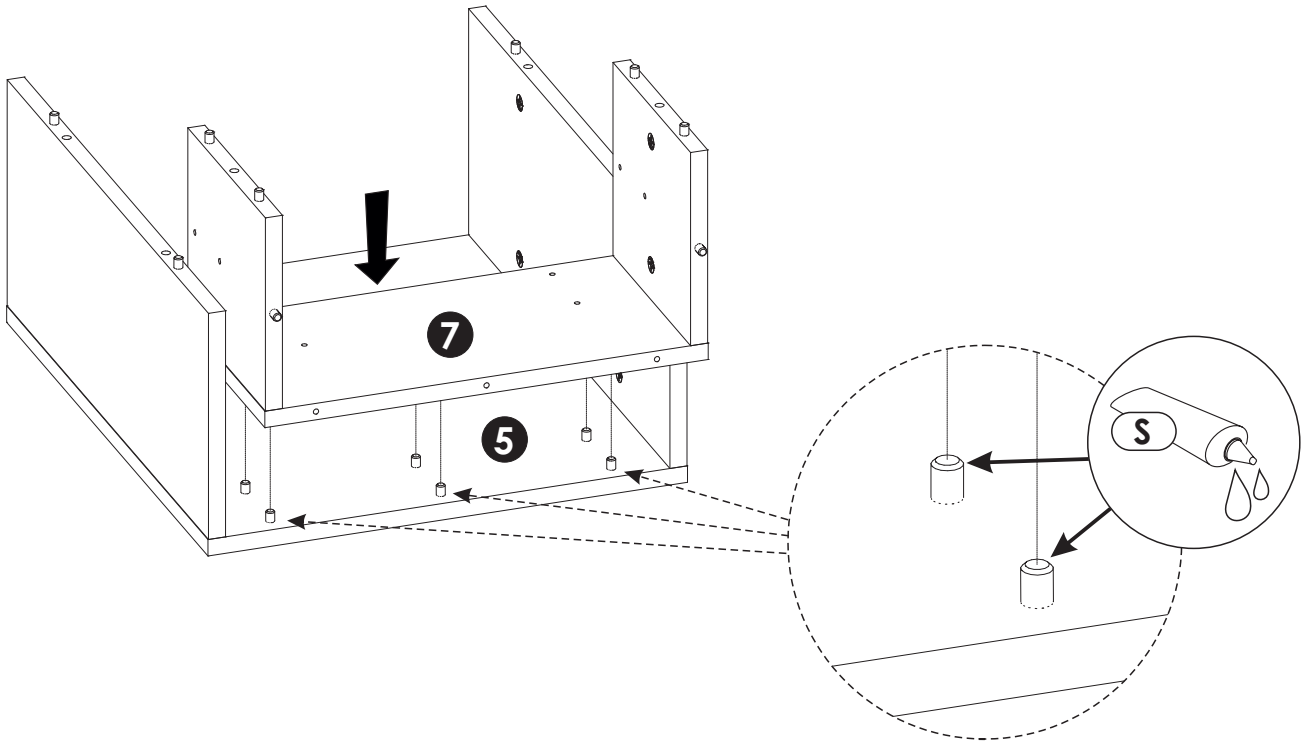
5 ▶



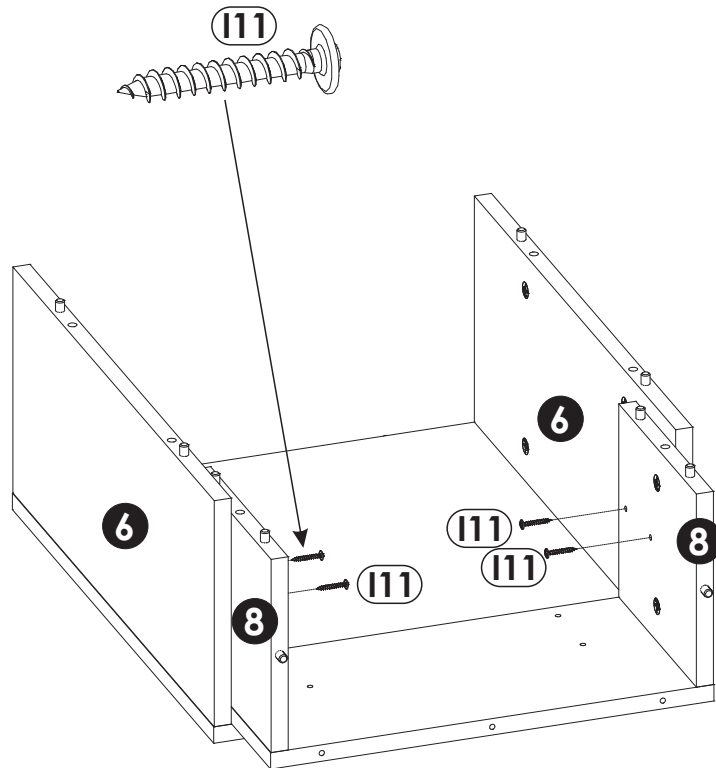
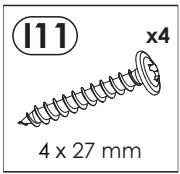
6 ▶



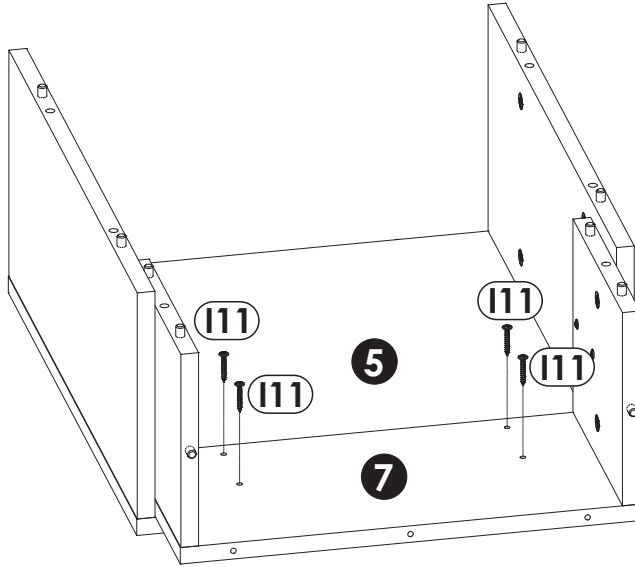
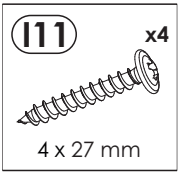
7 ▶



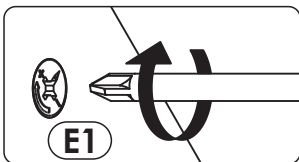
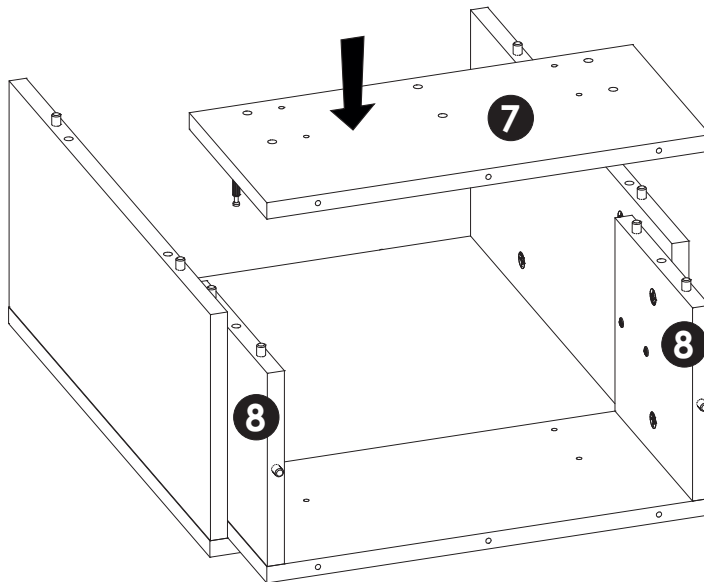
8 ▶



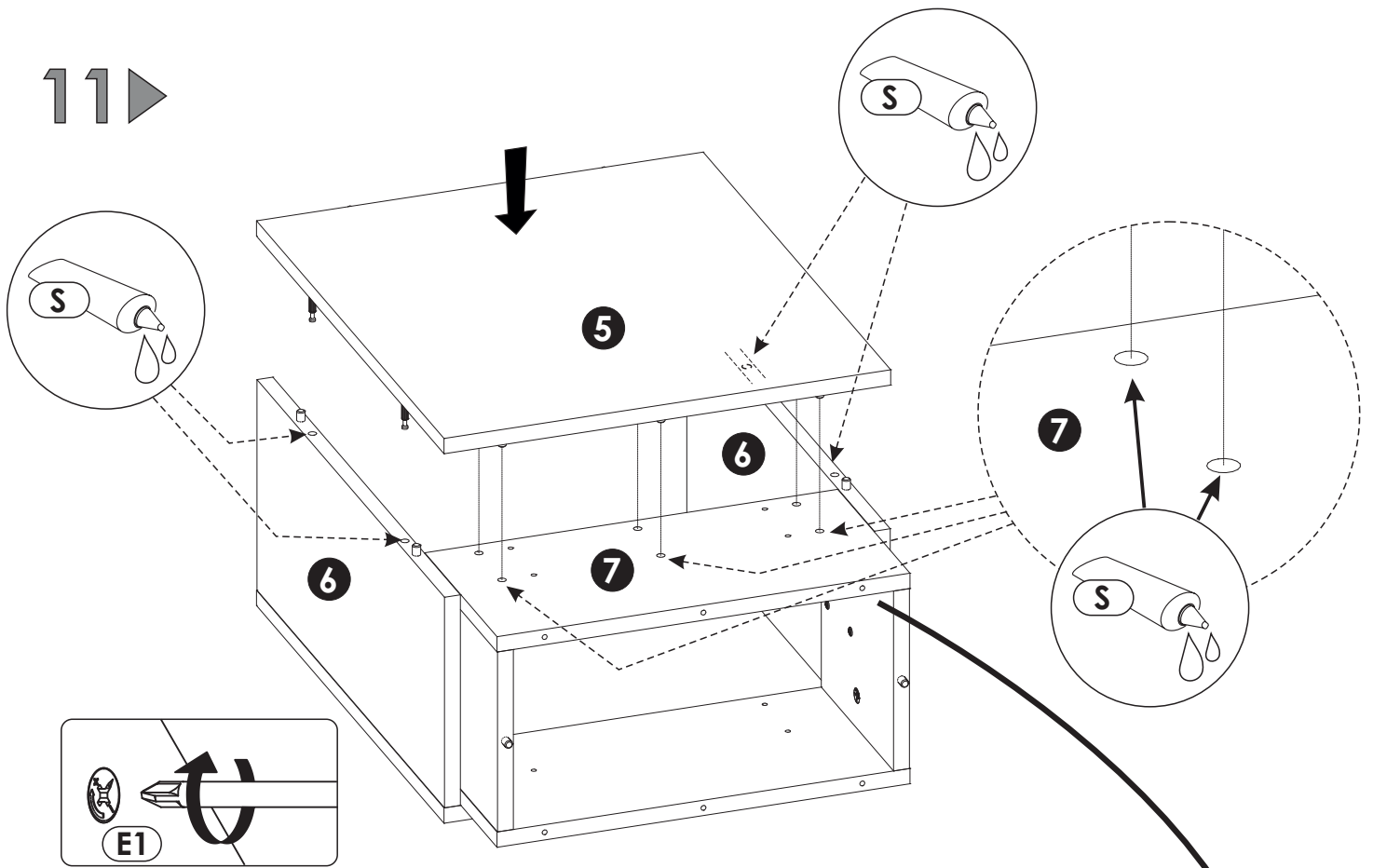
9 ▶



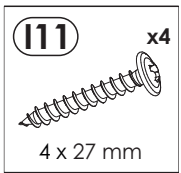
10 ▶



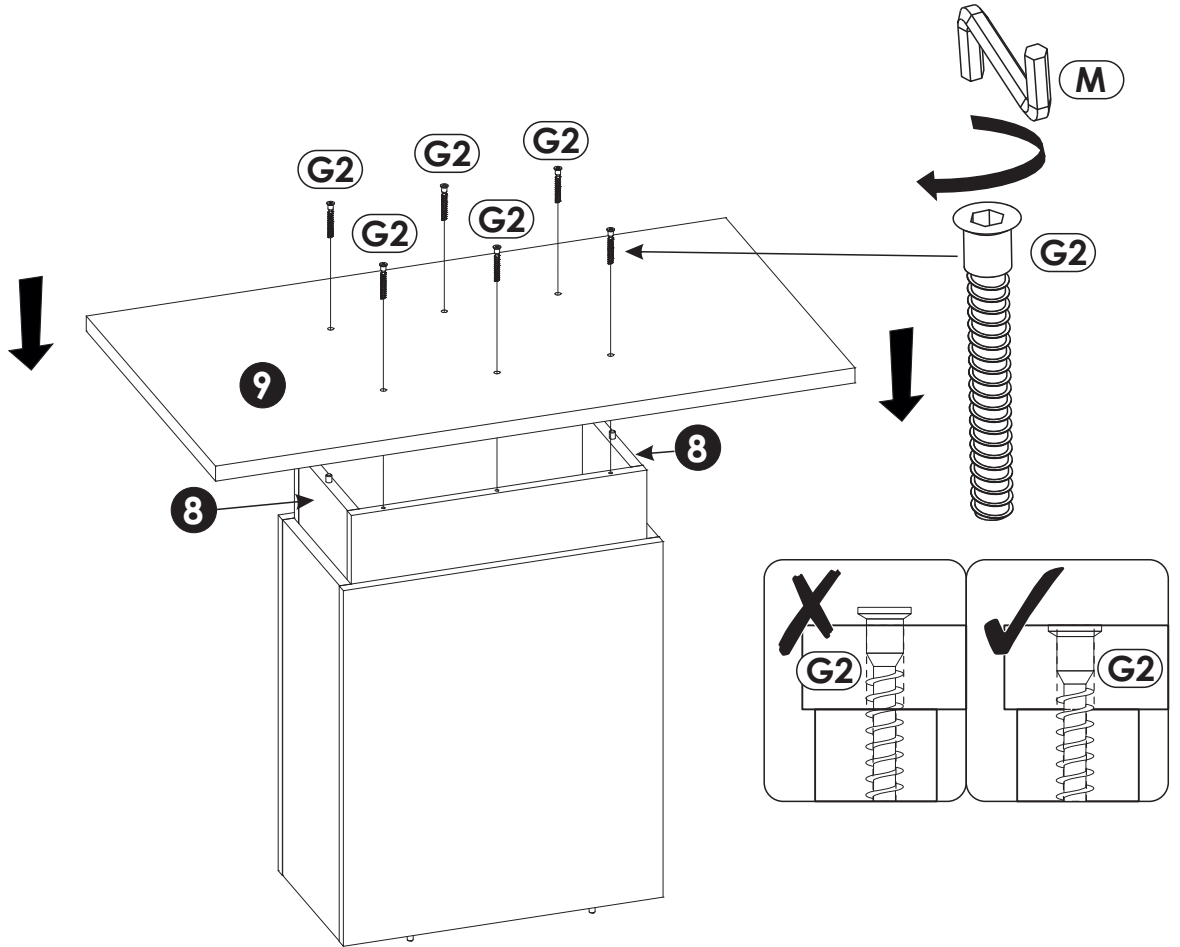
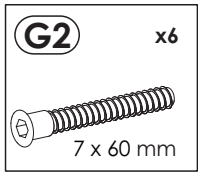
11 ▶



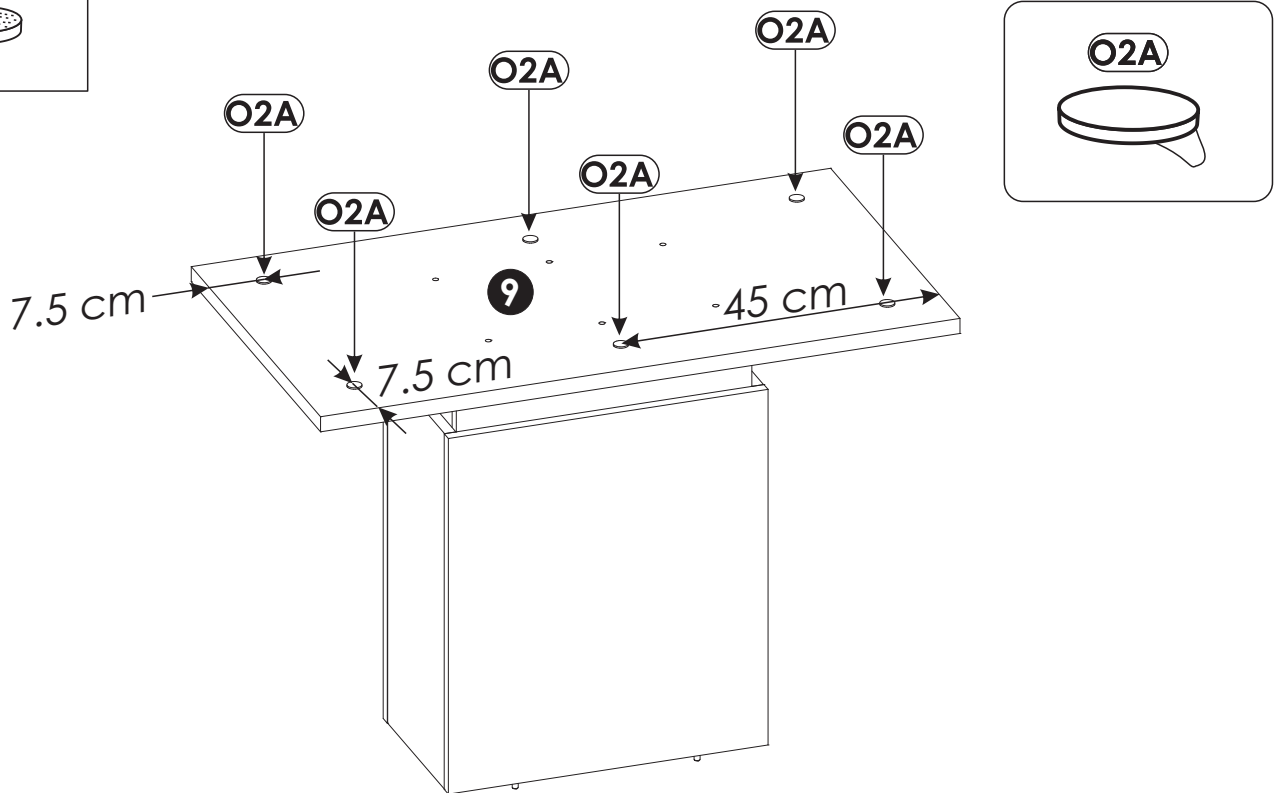
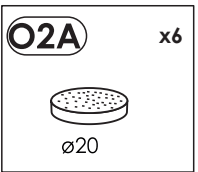
12 ▶

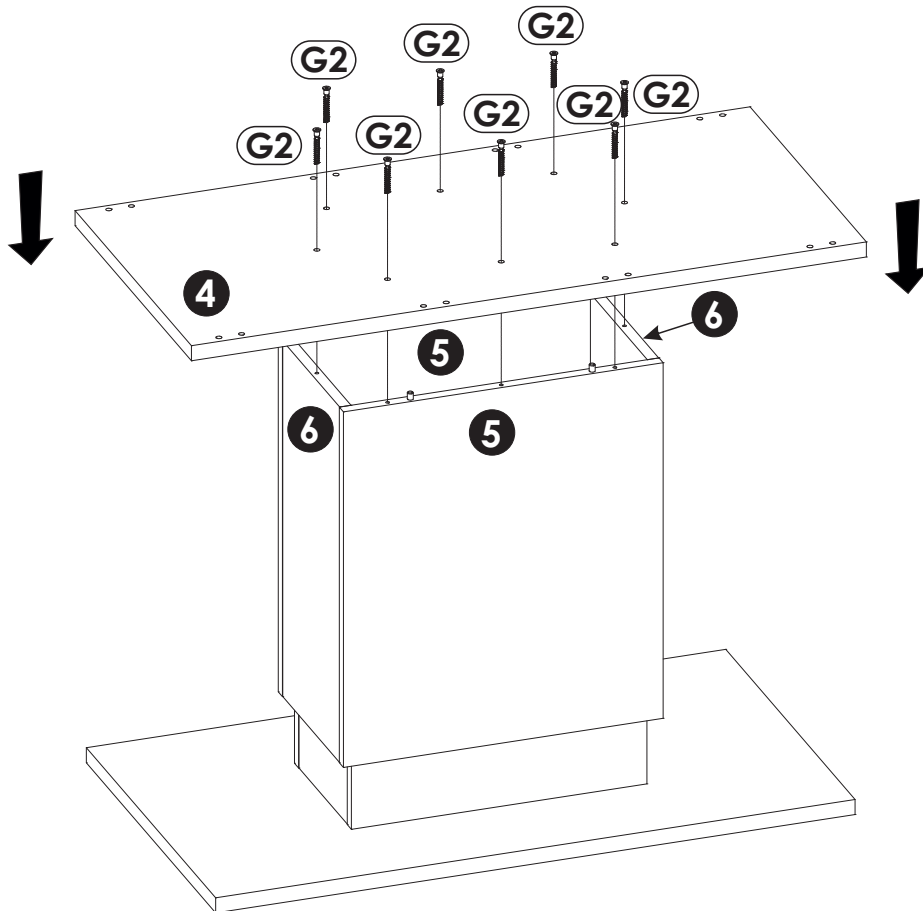
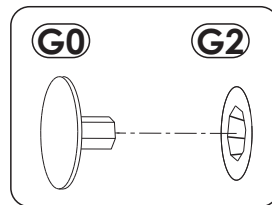
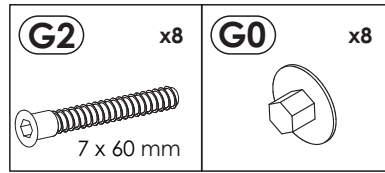


13 ▶



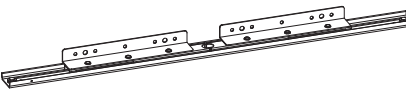



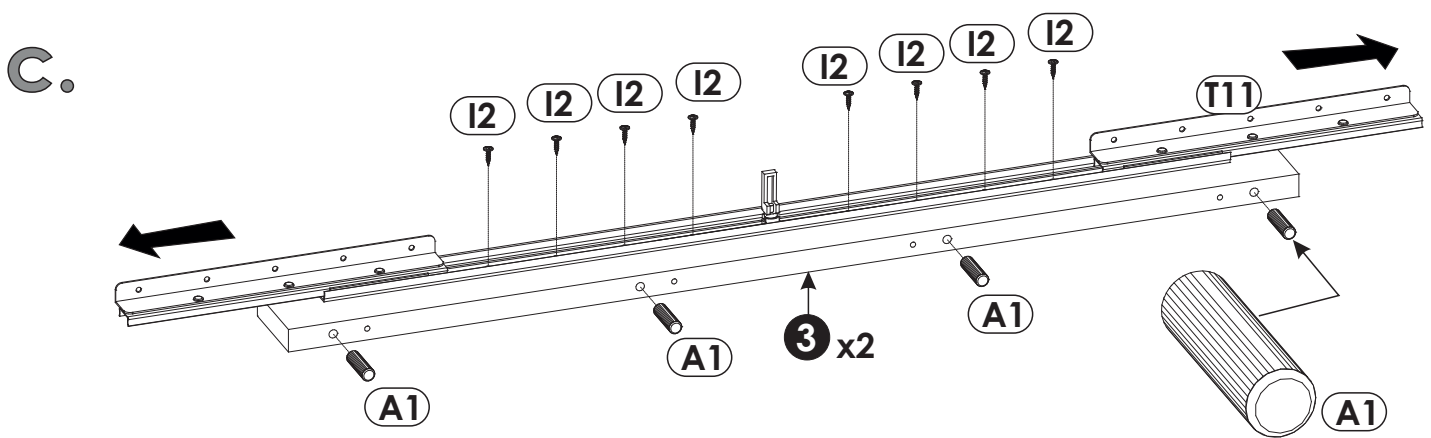
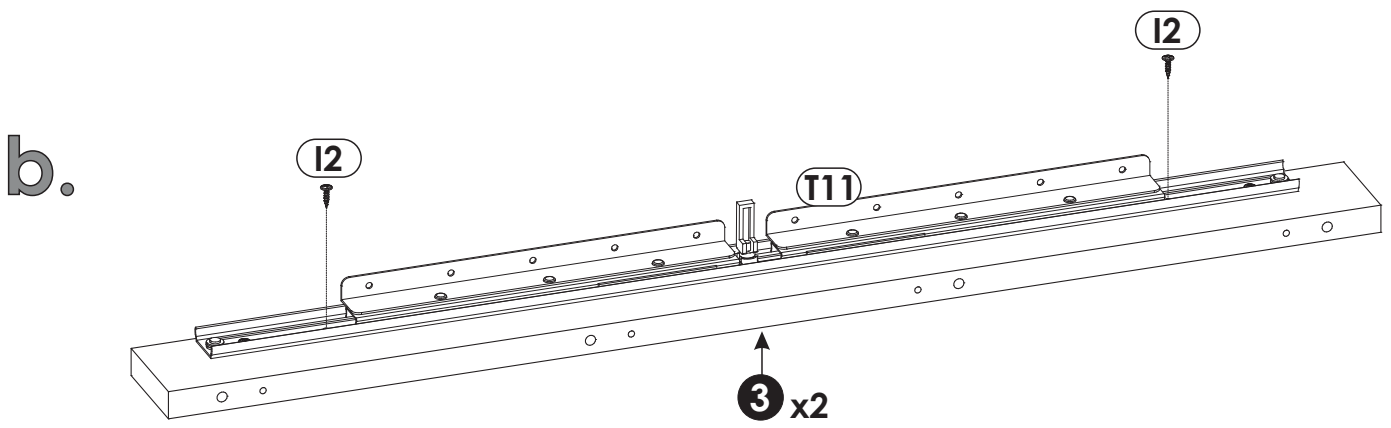
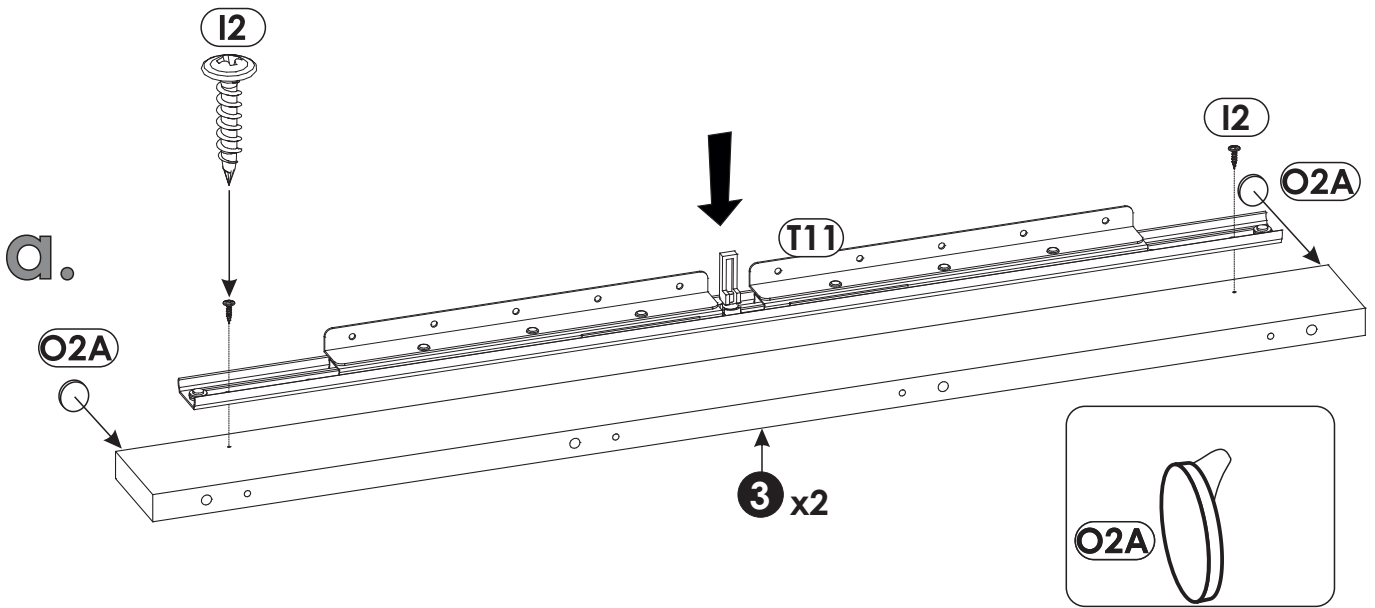
14 ▶



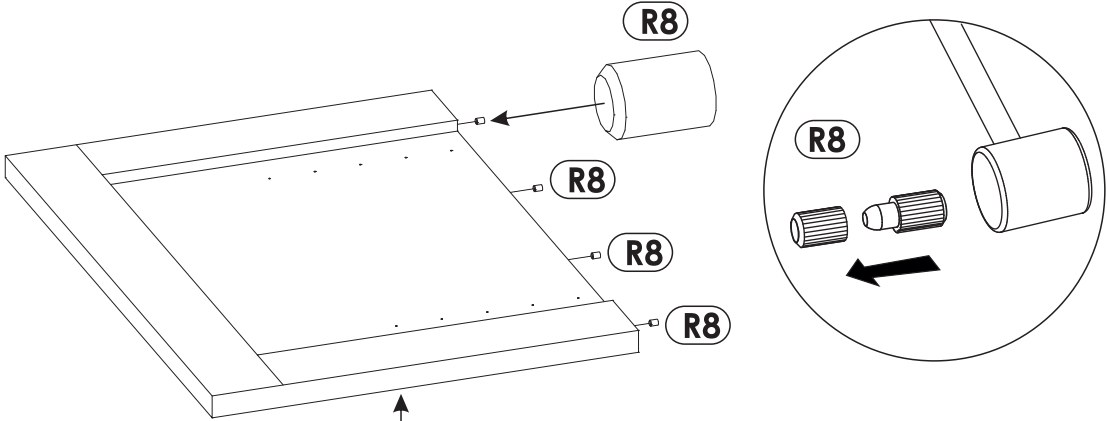
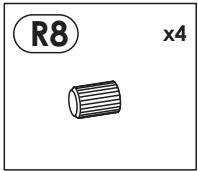


16 ▶

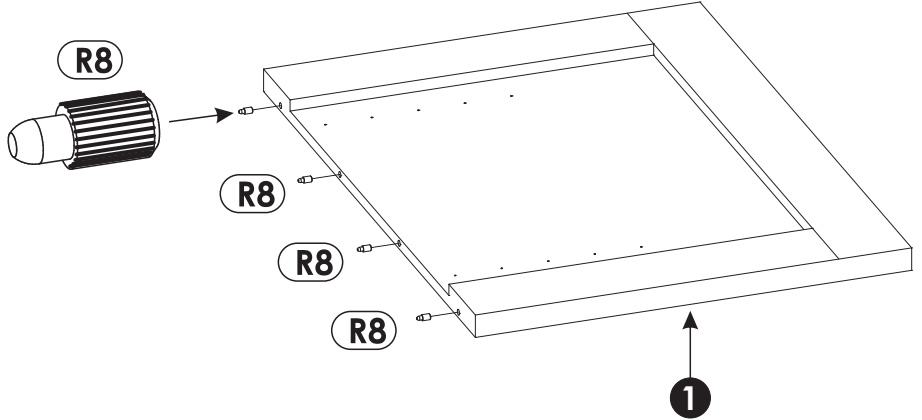
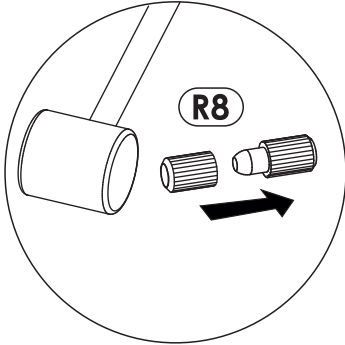
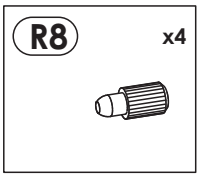
| | | | |
|--|---|---|---|
| <p>A1 x8</p>  <p>8 x 35 mm</p> | <p>I2 x24</p>  <p>4 x 16 mm</p> | <p>T11 x2</p>  | <p>O2A x4</p>  <p>ø20</p> |
|--|---|---|---|



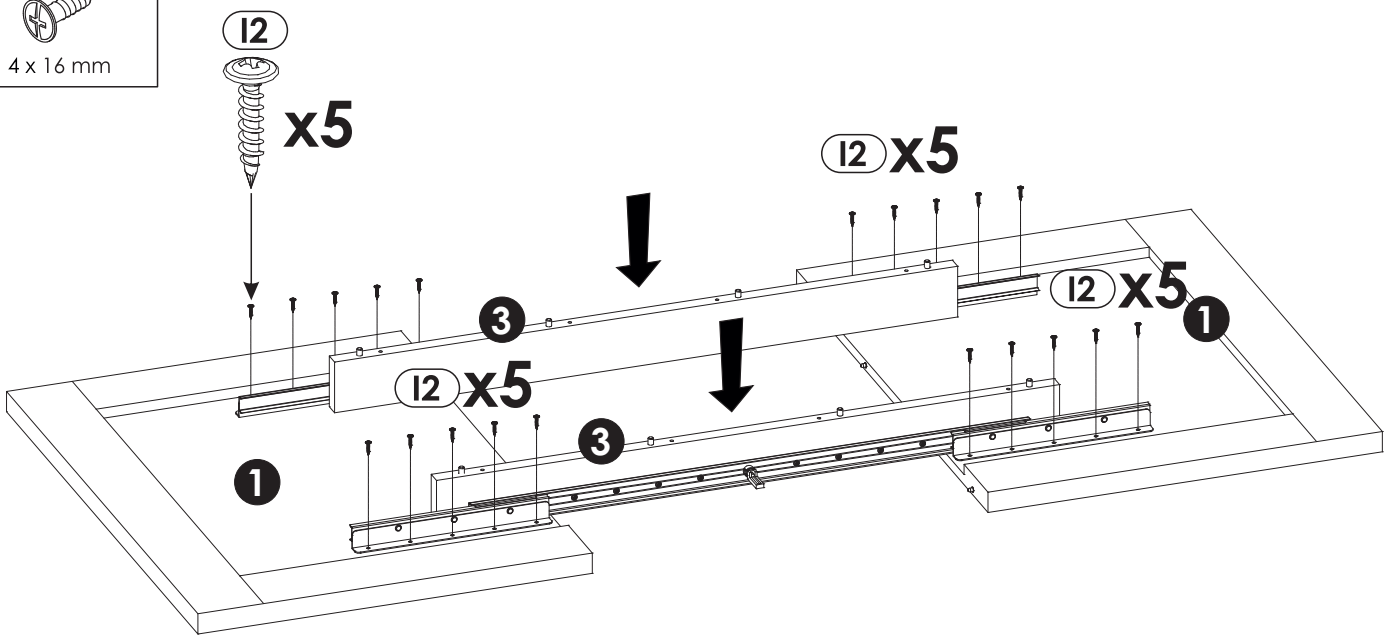
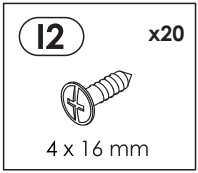
17▶



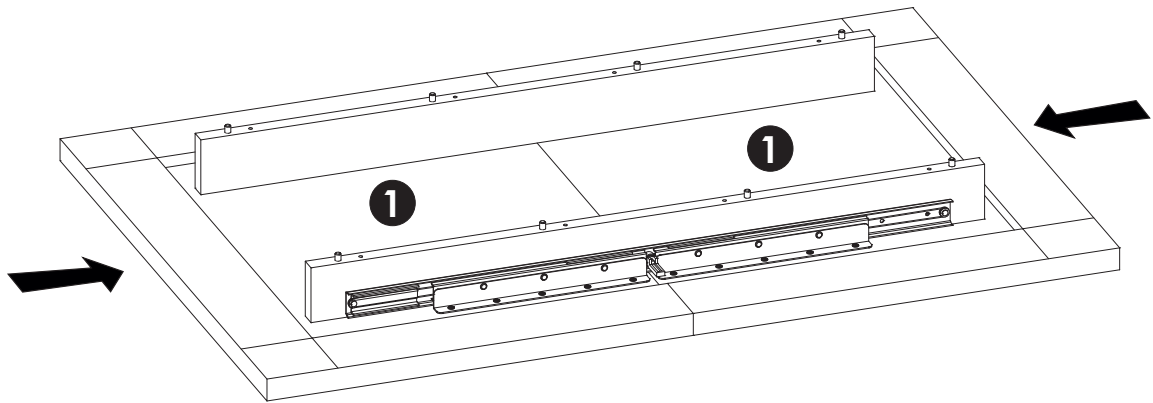
18▶



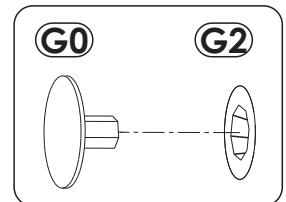
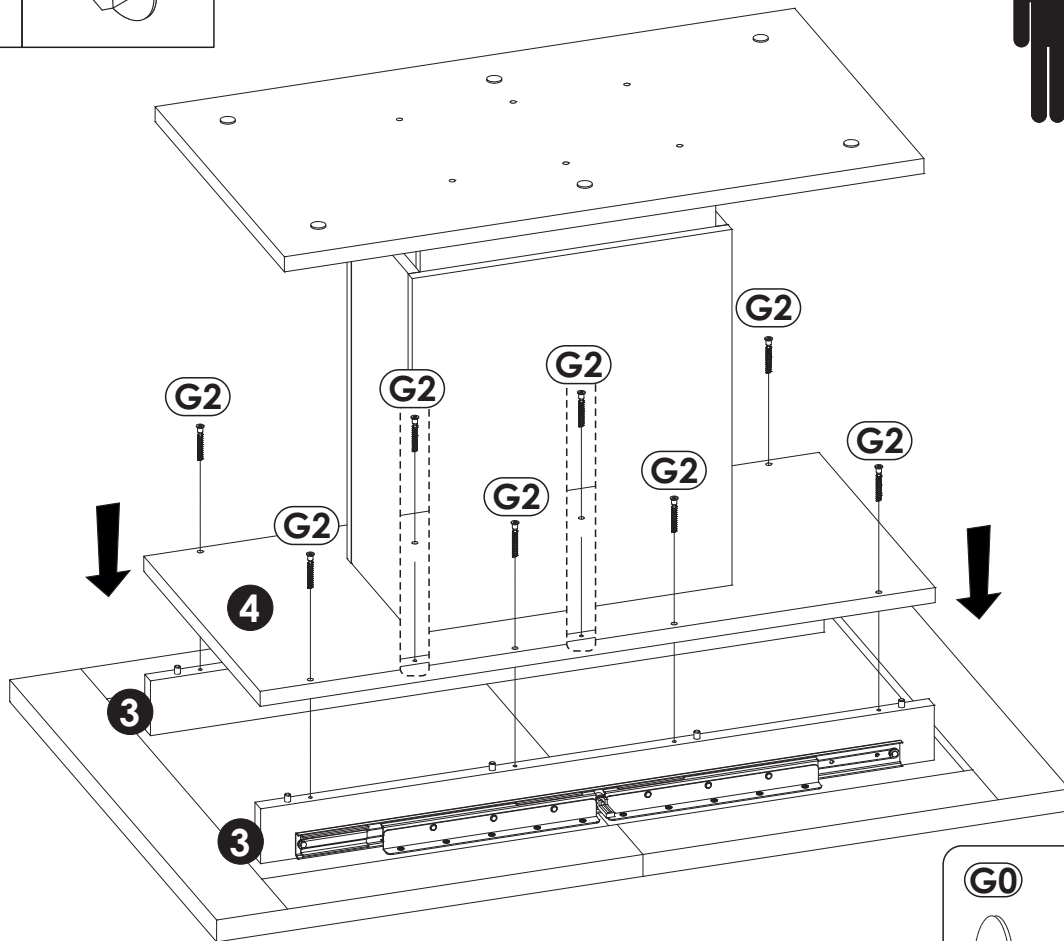
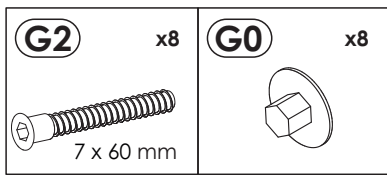
19▶



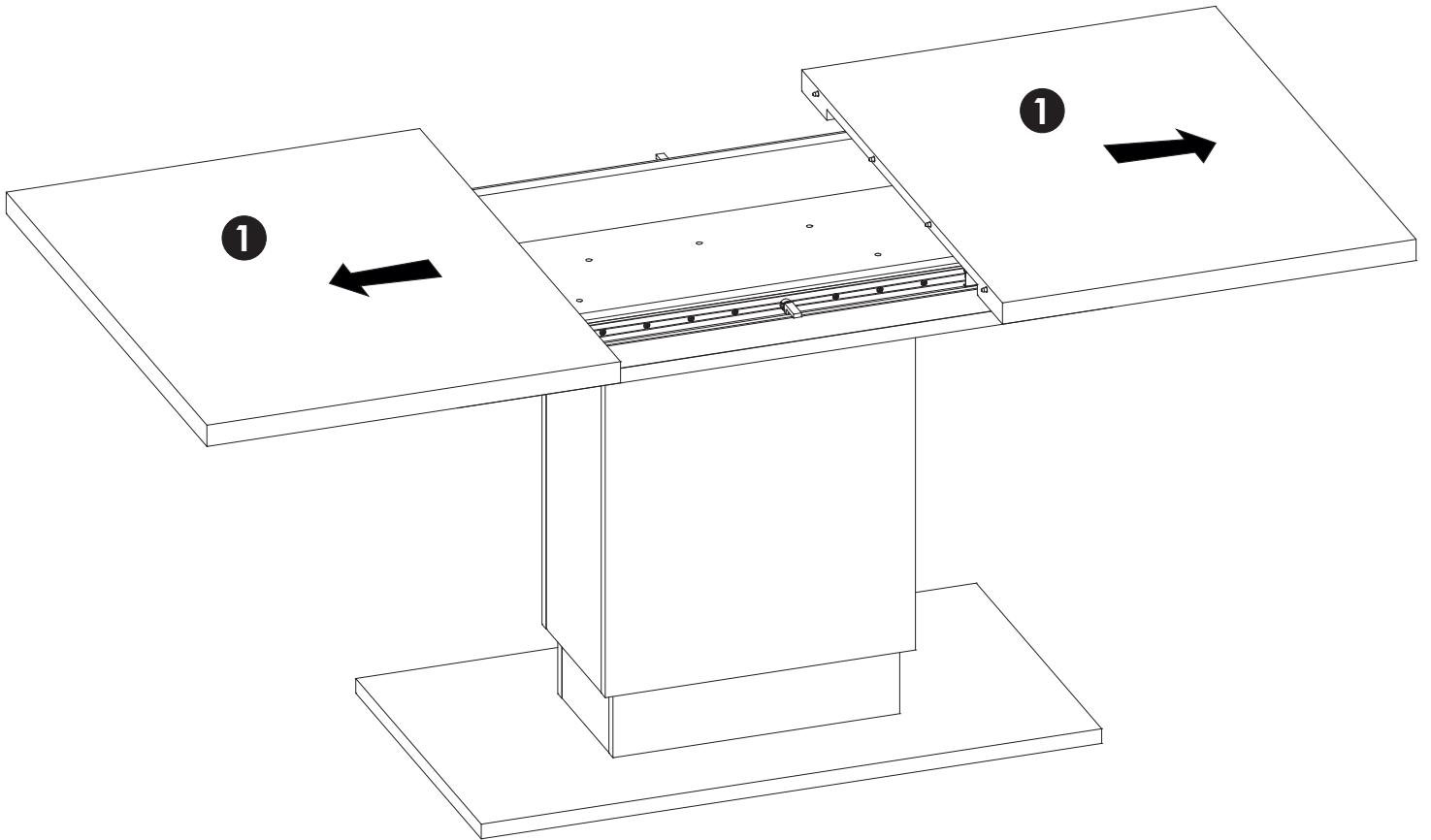
20▶



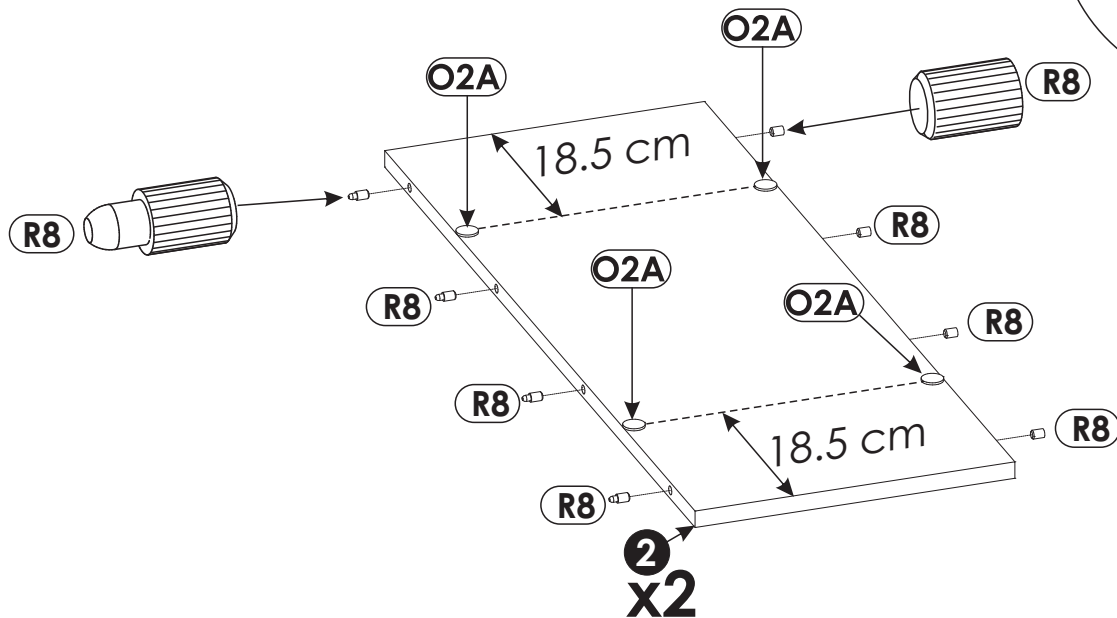
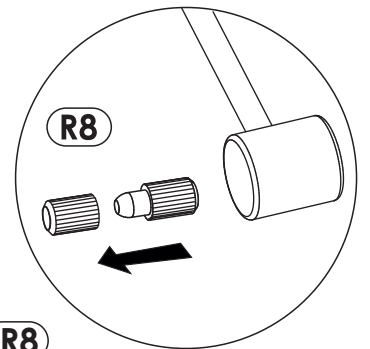
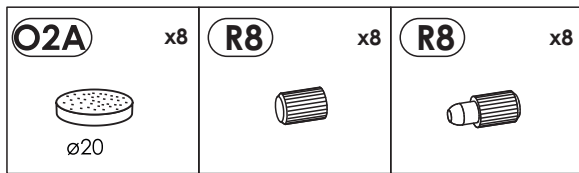
21▶



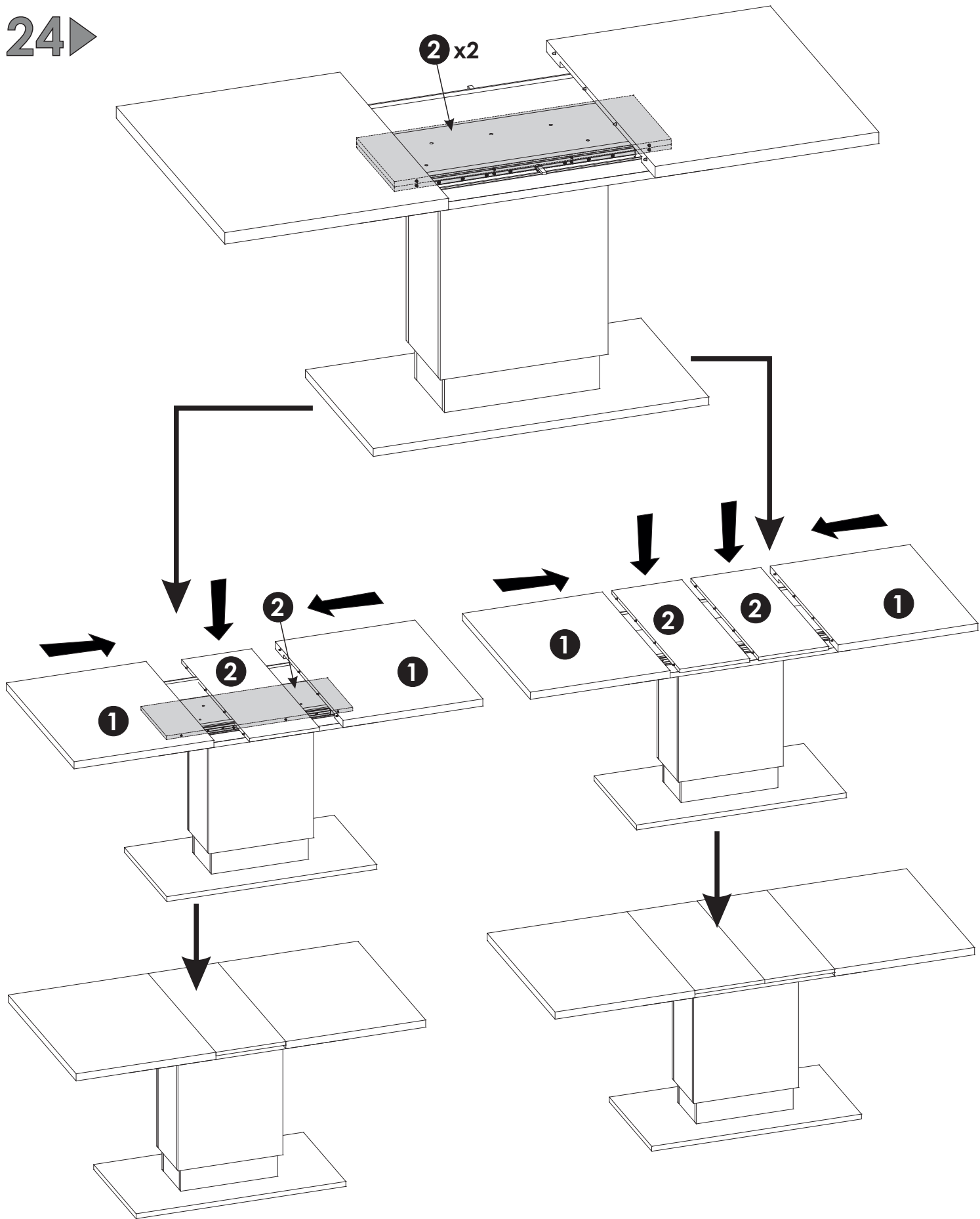
22 ▶



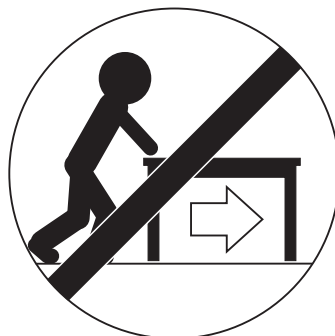
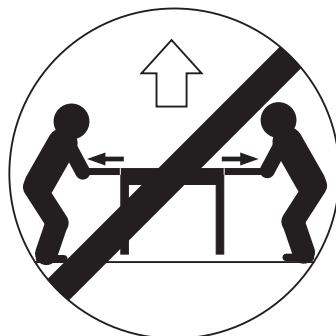
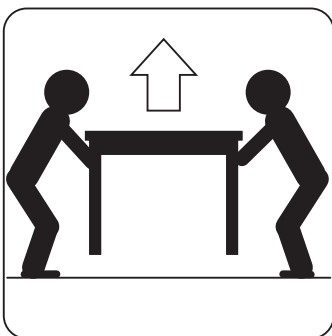
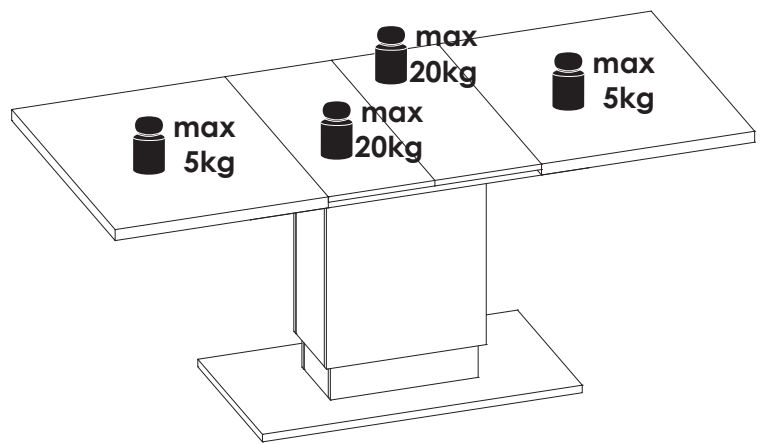
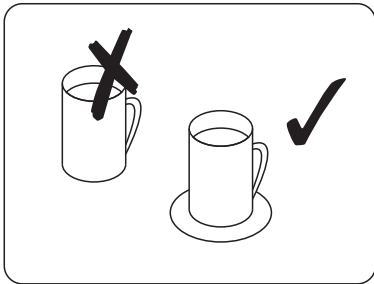
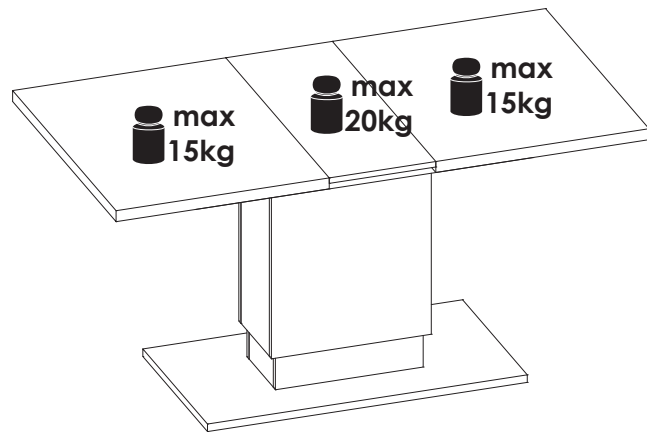
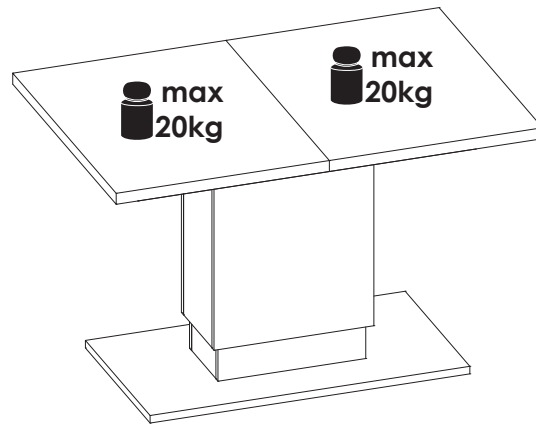
23 ▶

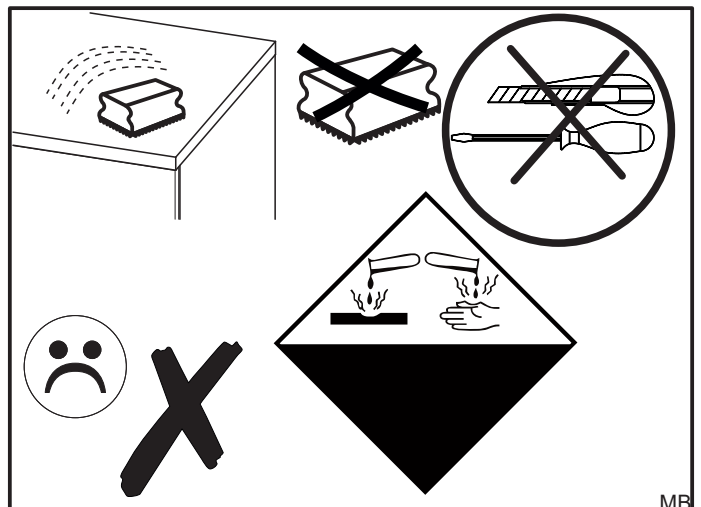
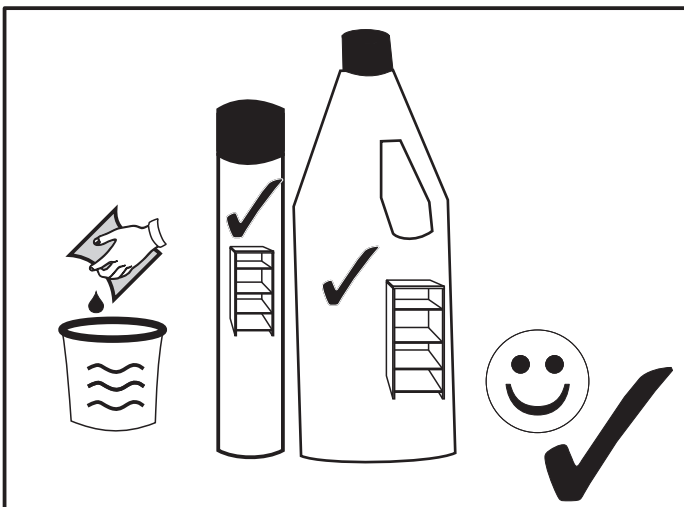
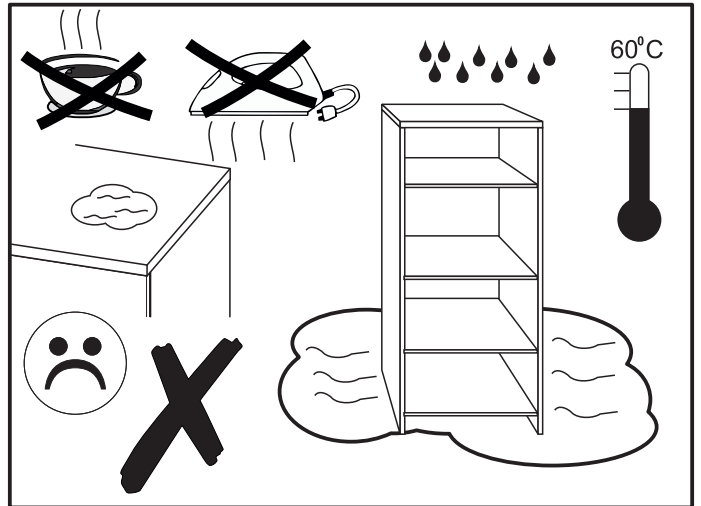
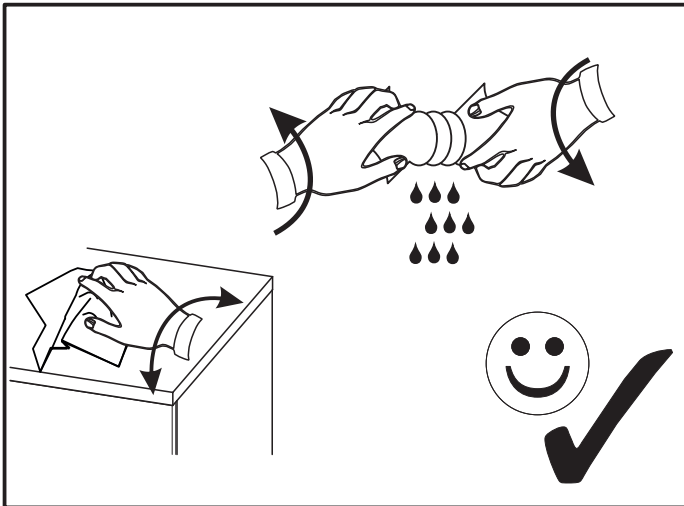
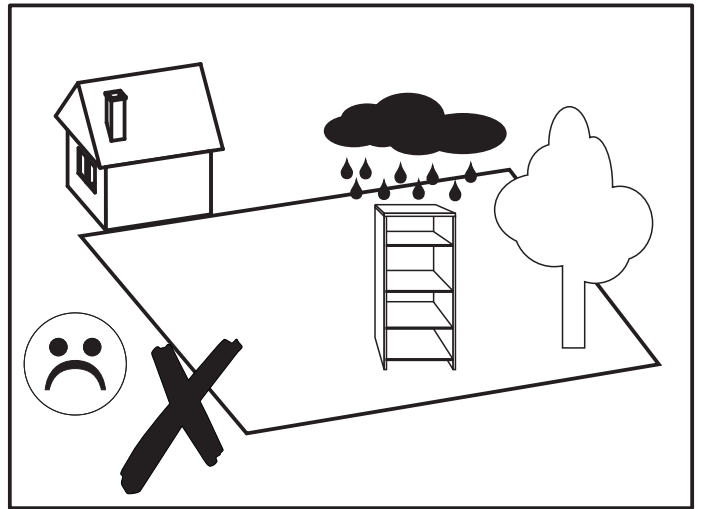
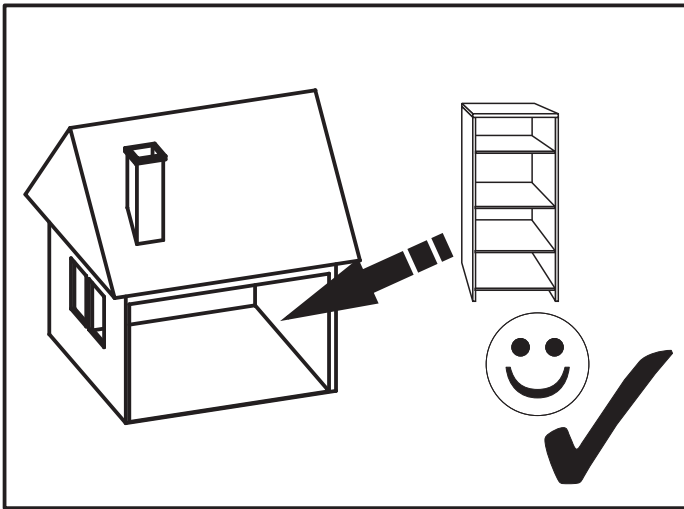


24 ▶



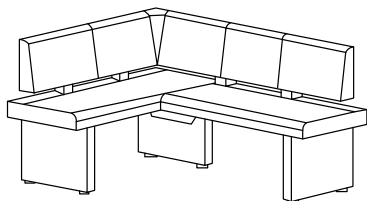
25▶



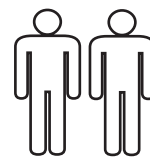
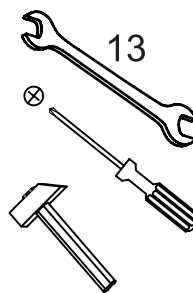
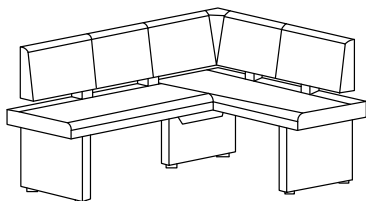


LEVÁ/ AVÁ/PRAVÁ

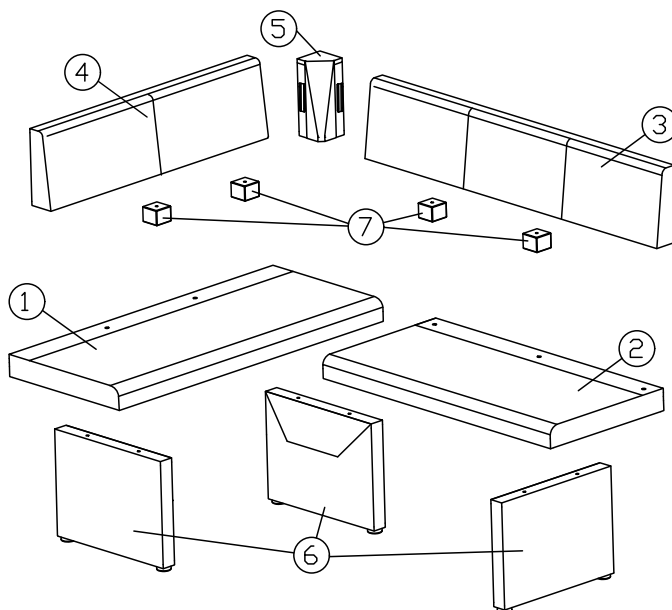
PRAVÁ



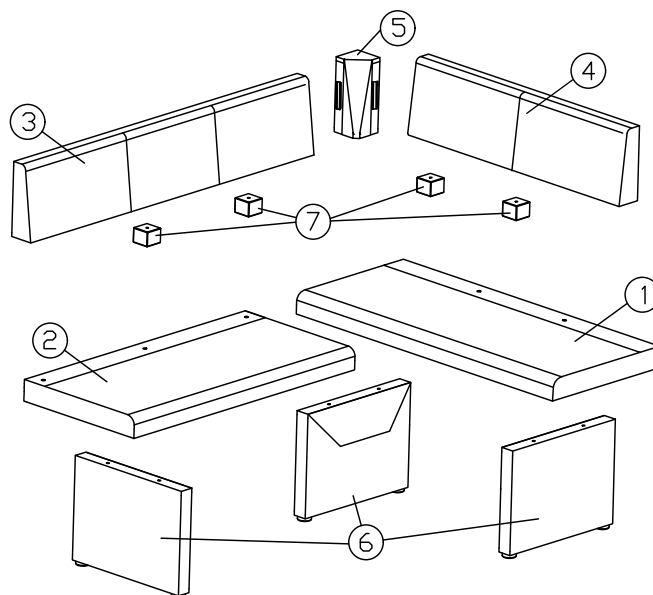
LEVÁ/ AVÁ

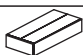





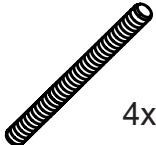


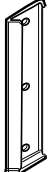

PRAVÁ



LEVÁ/ AVÁ

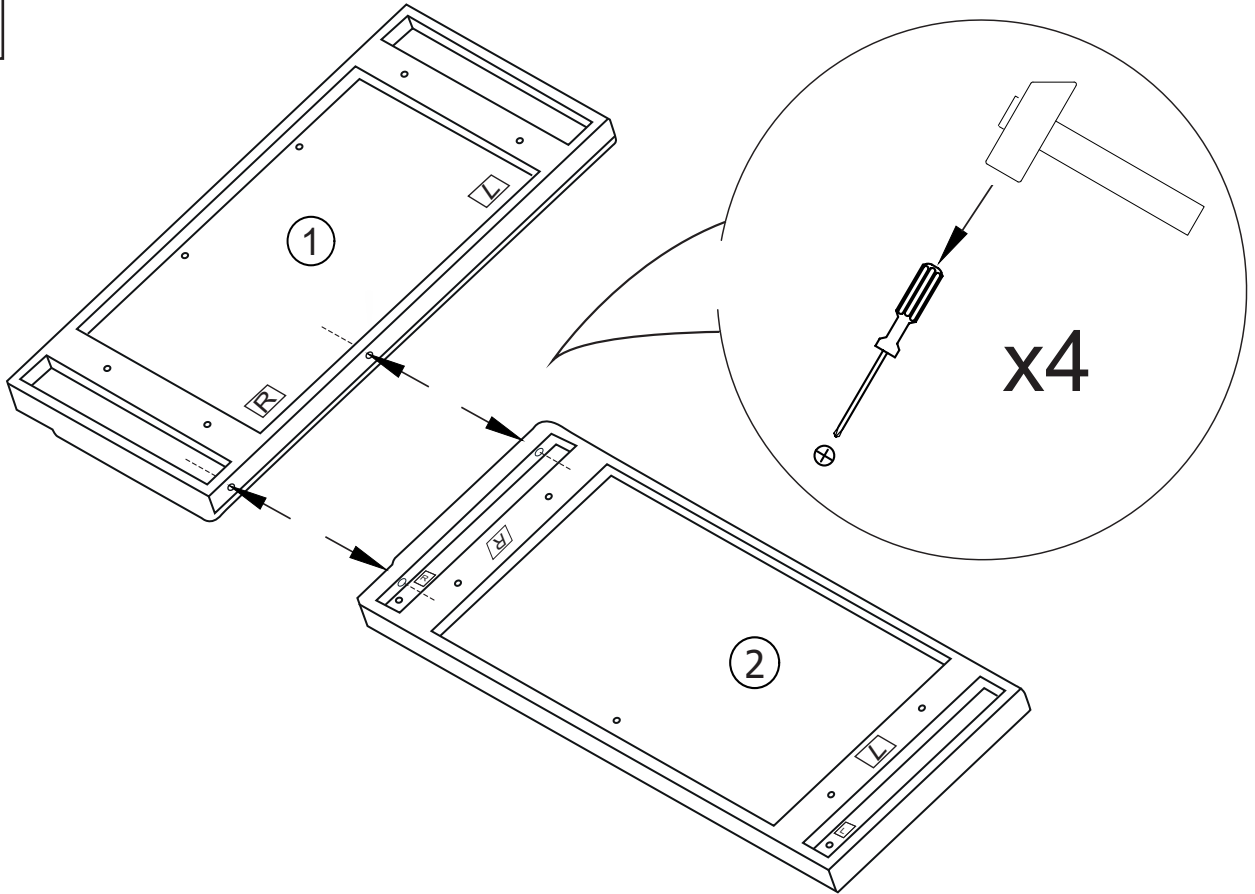


| | |  |
|---|----|---|
| 1 | 1x | 2/2 |
| 2 | 1x | 2/2 |
| 3 | 1x | 1/2 |
| 4 | 1x | 1/2 |
| 5 | 1x | 1/2 |
| 6 | 3x | 2/2 |
| 7 | 4x | 2/2 |

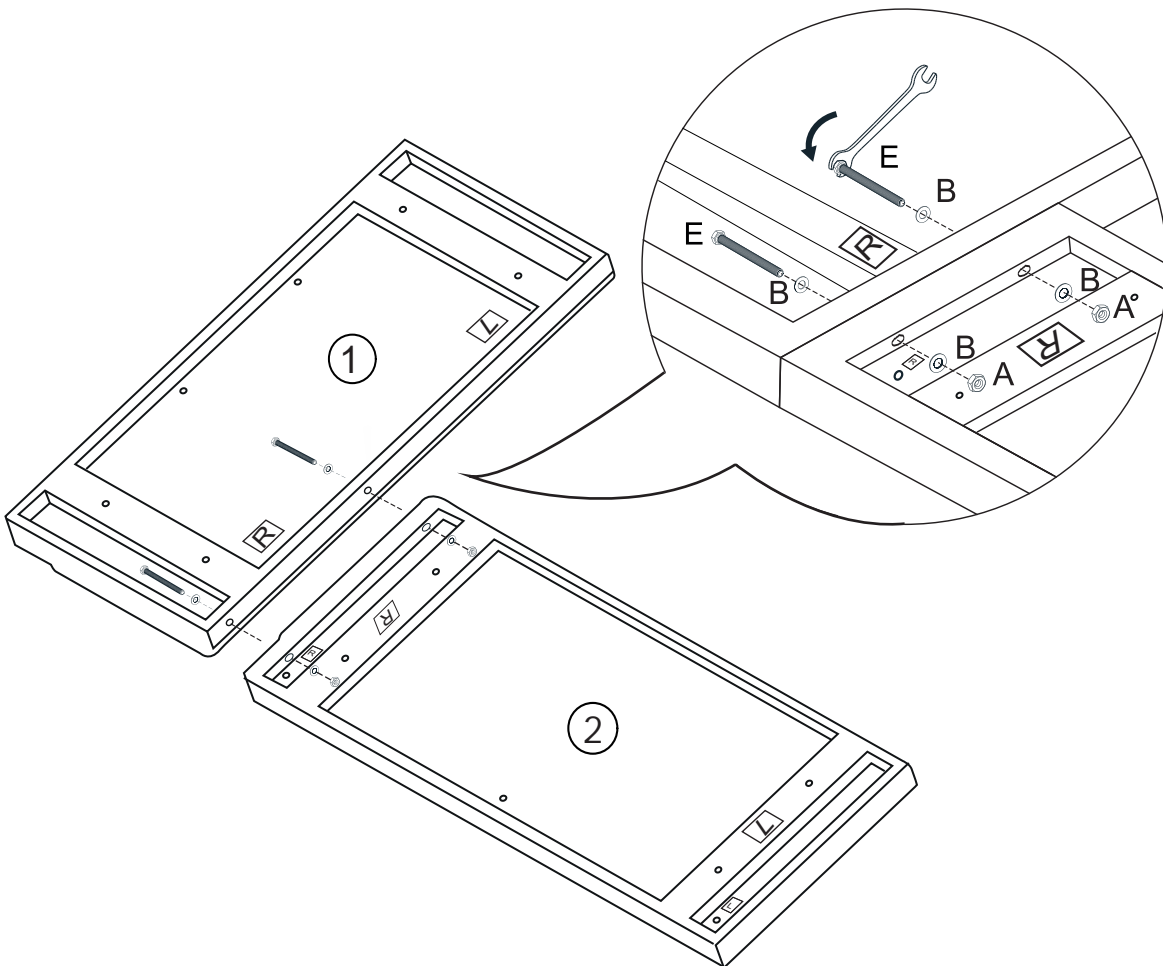
| A | M8 | B | Ø8 | C | M8x90 | D | 160mm | E | M8x70 | F | M6x20 | G | | H | 4mm |
|---|----|---|-----|---|-------|---|-------|---|-------|---|-------|---|----|---|-----|
|  | 6x |  | 14x |  | 6x |  | 4x |  | 2x |  | 4x |  | 2x |  | 1x |

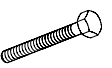


I.

1.



2.

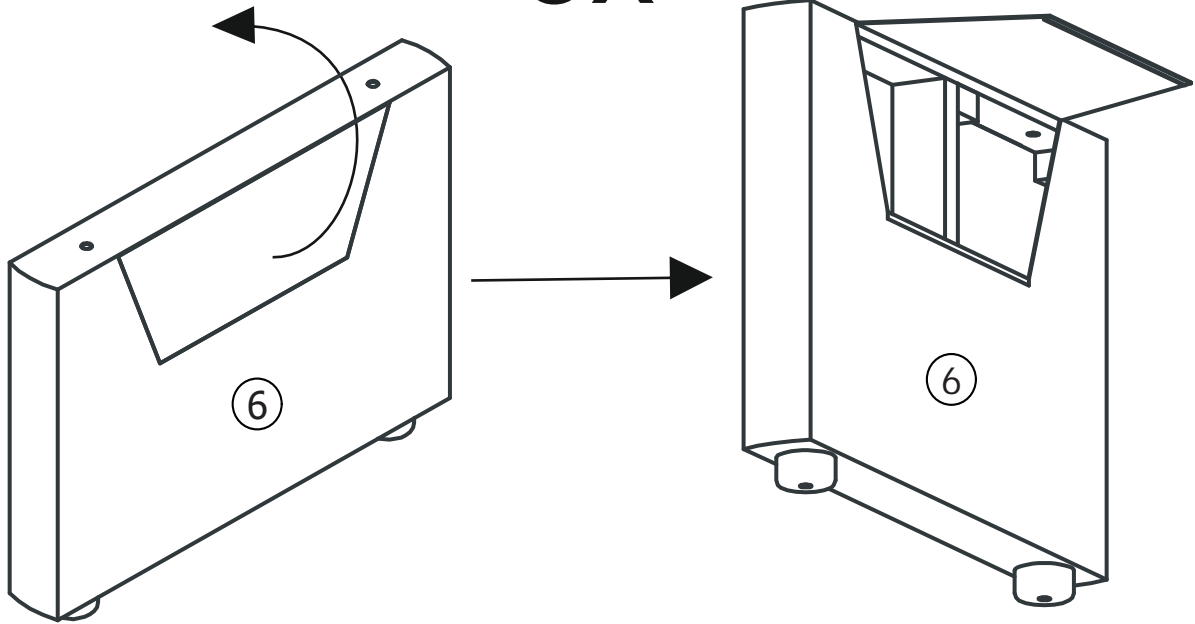


| | |
|---|----|
| E | 2x |
|  | |
| M8x70 | |
| A | 2x |
|  | |
| M8 | |
| B | 4x |
|  | |
| Ø8 | |

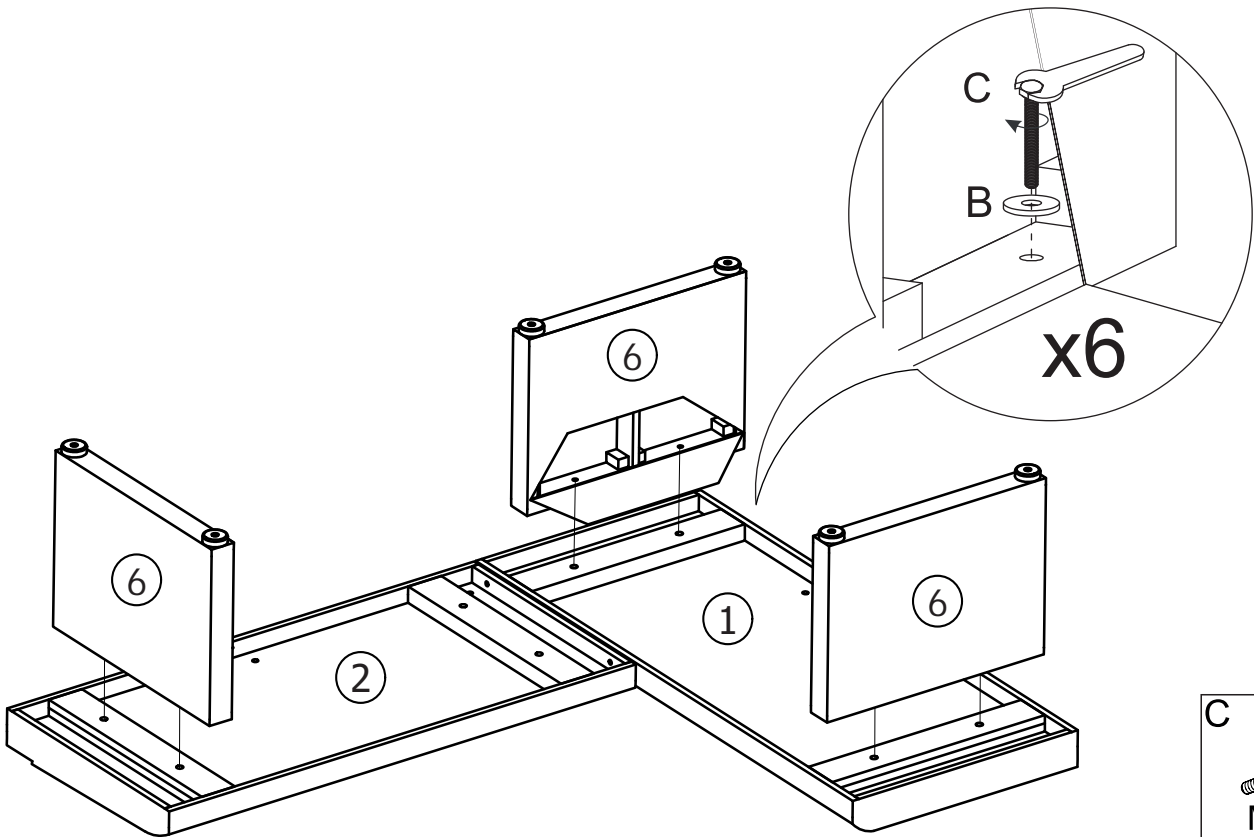
II.

3.

3x



4.

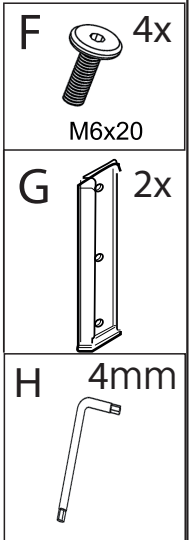
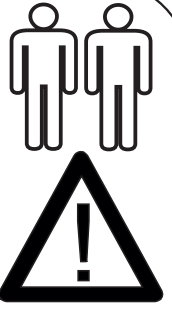
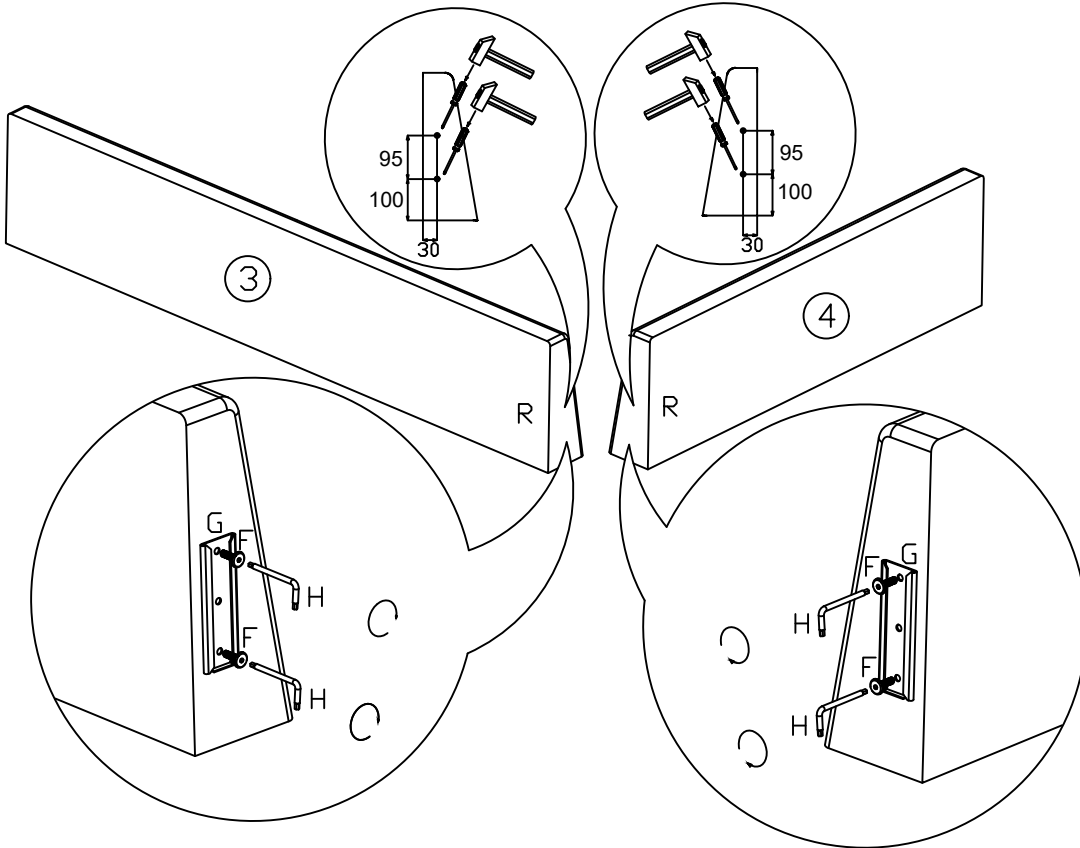


C 6x
M8x90

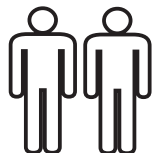
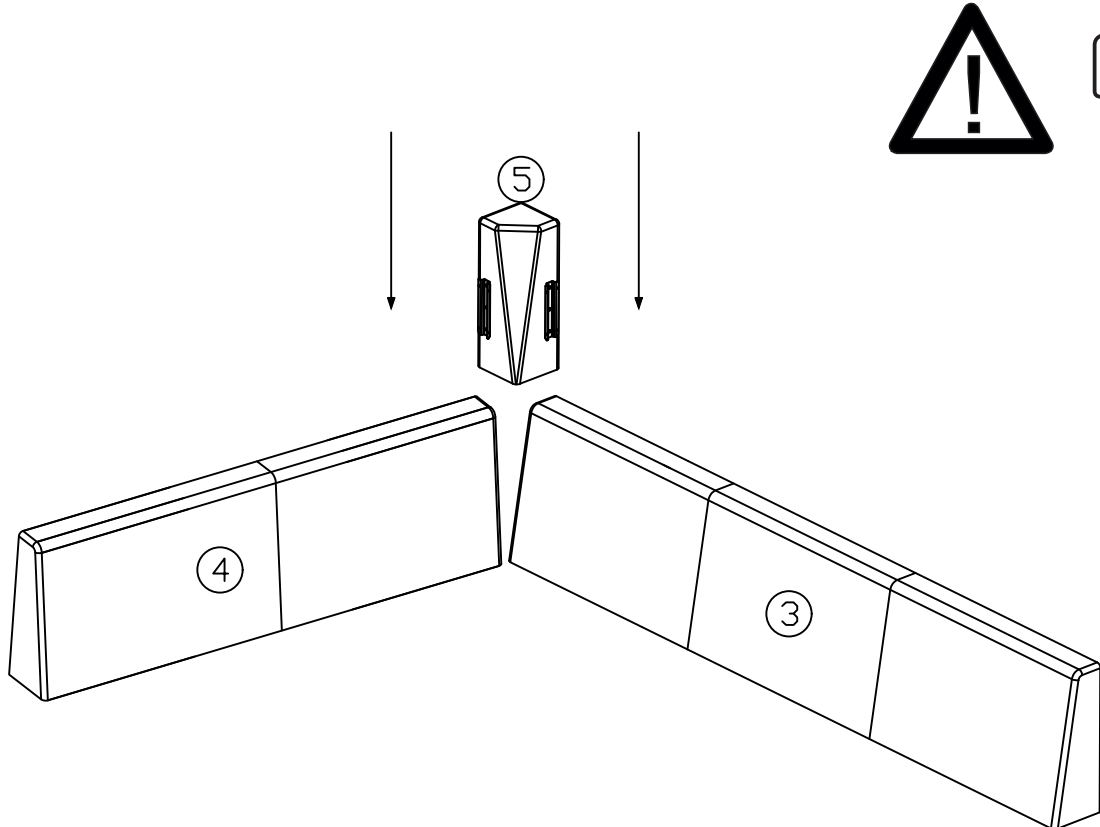
B 6x
Ø8

III.

5.

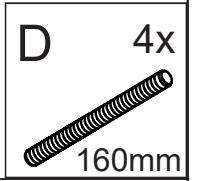
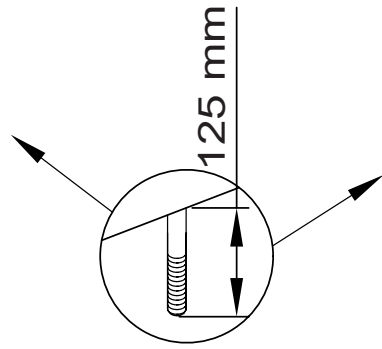
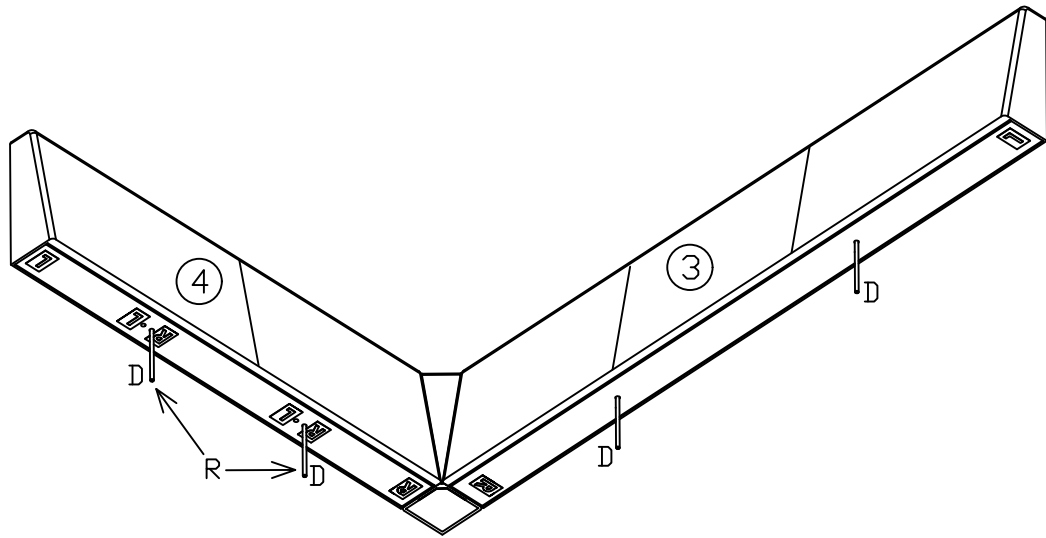


6.

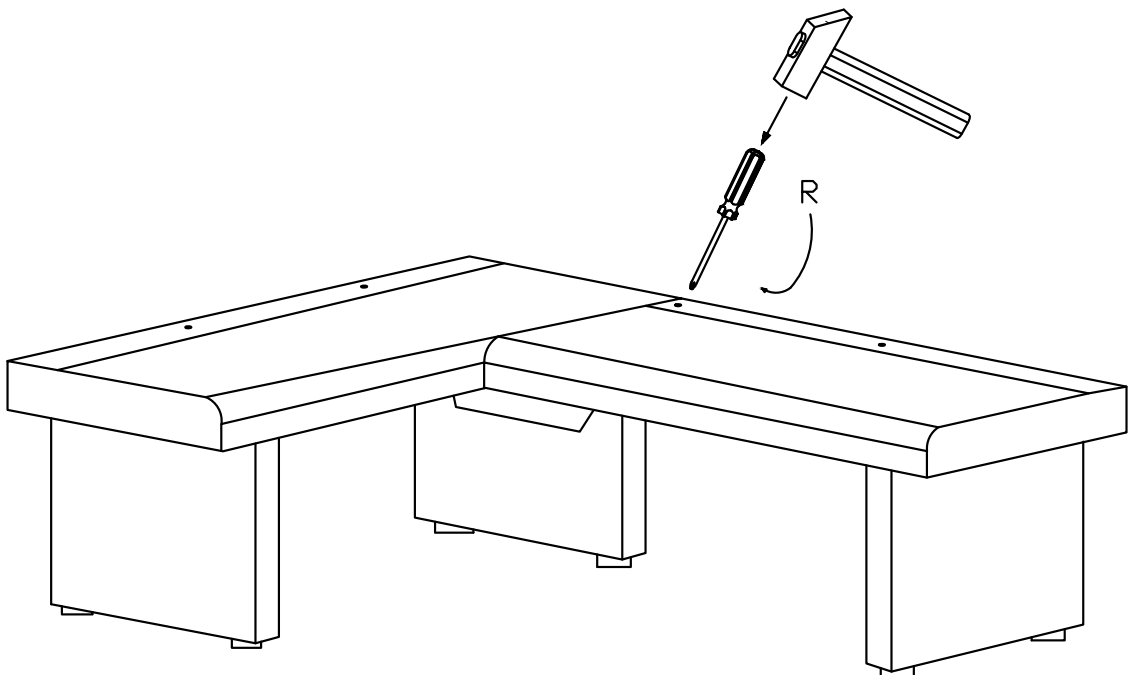


IV.

7.

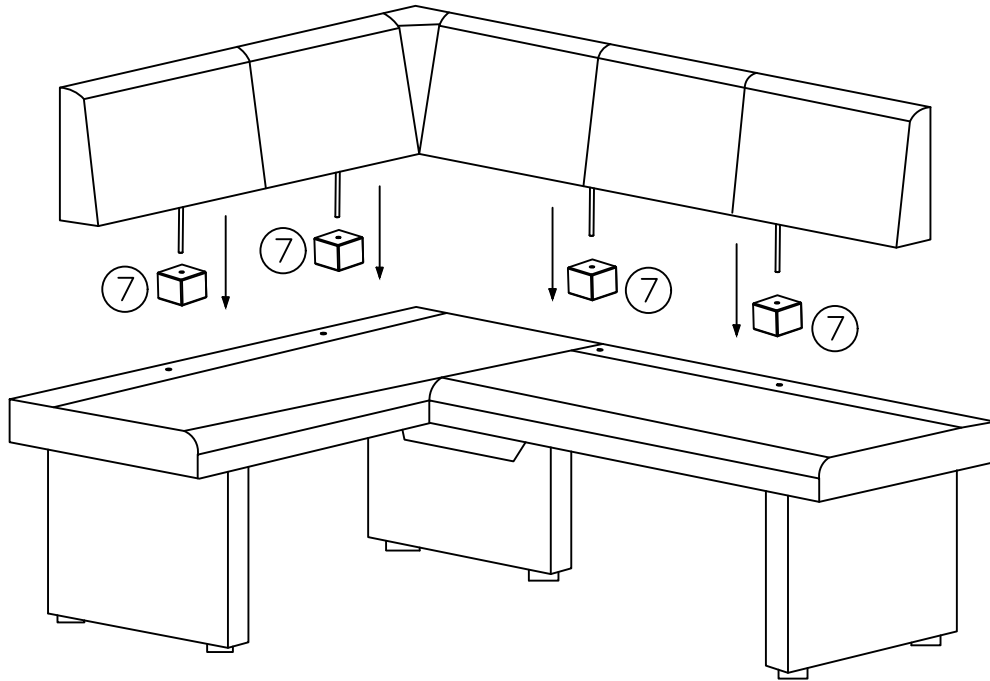
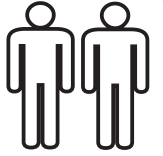


8.

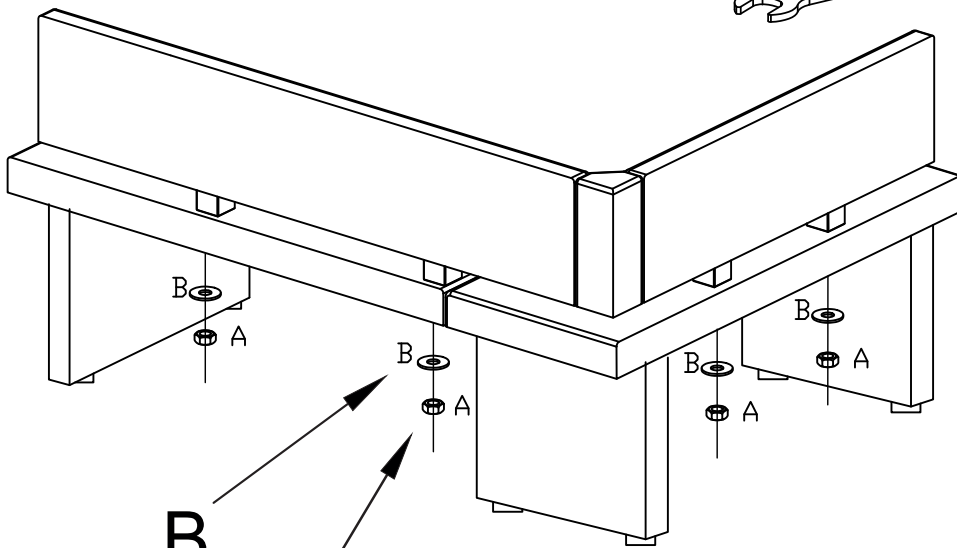
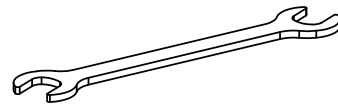


V.

9.



10.



4x B

4x A

B

A

A 4x



M8

B 4x

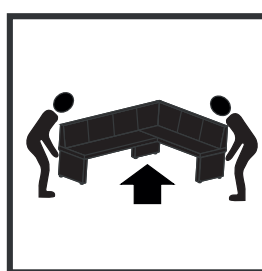
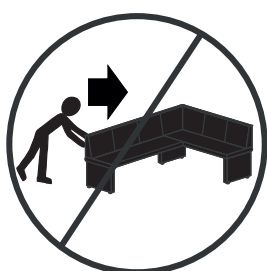
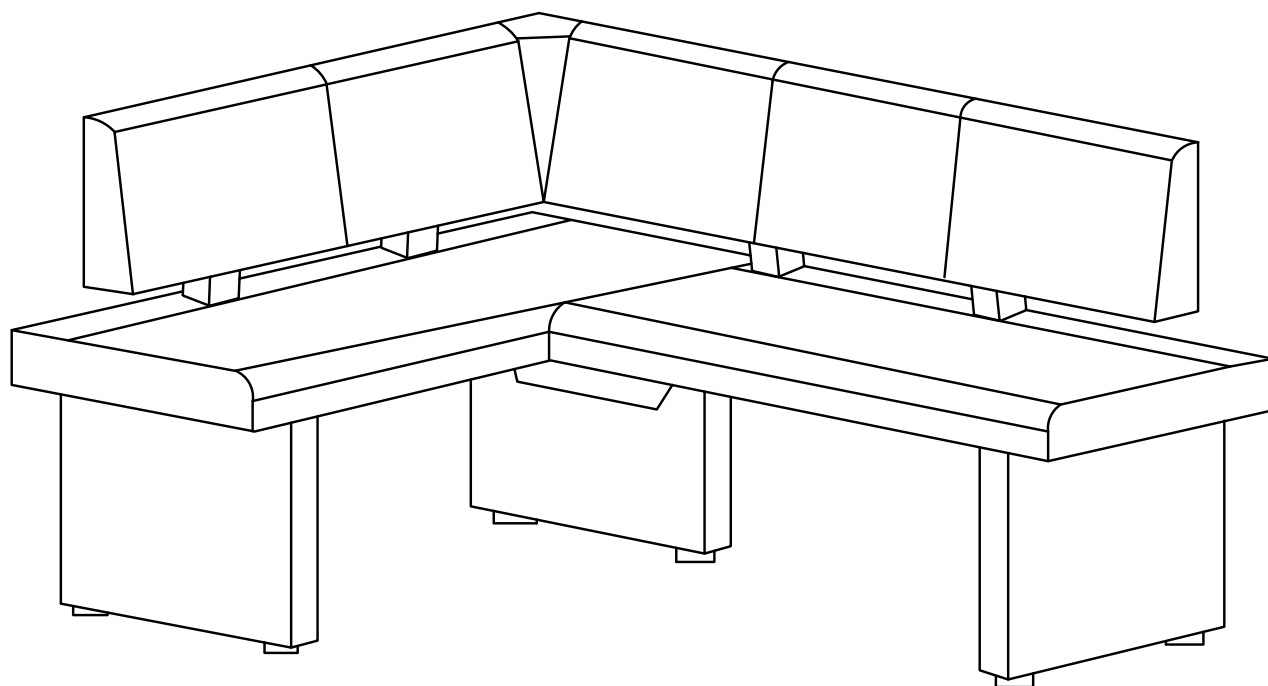


Ø8

VI.

11.

PRAVÁ



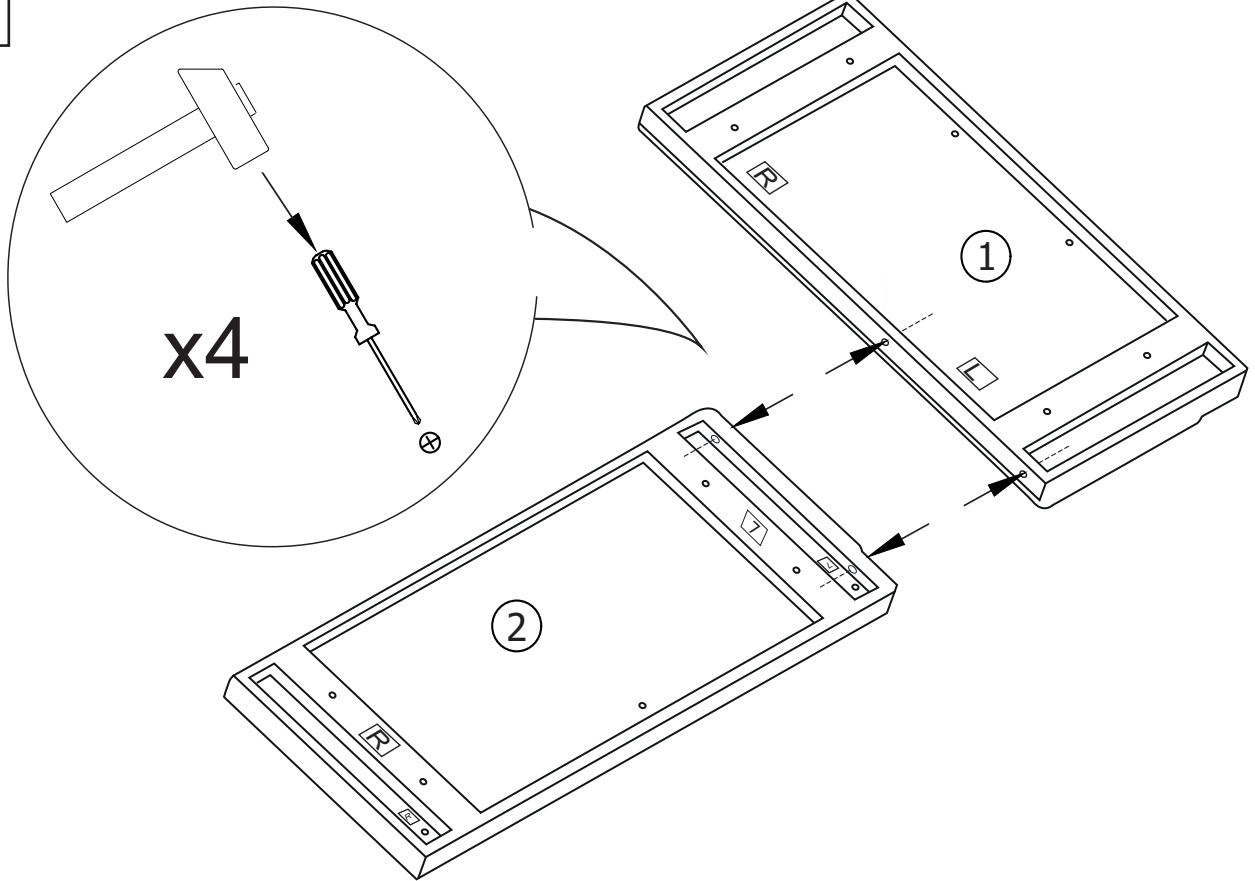
LE TRI
+ FACILE



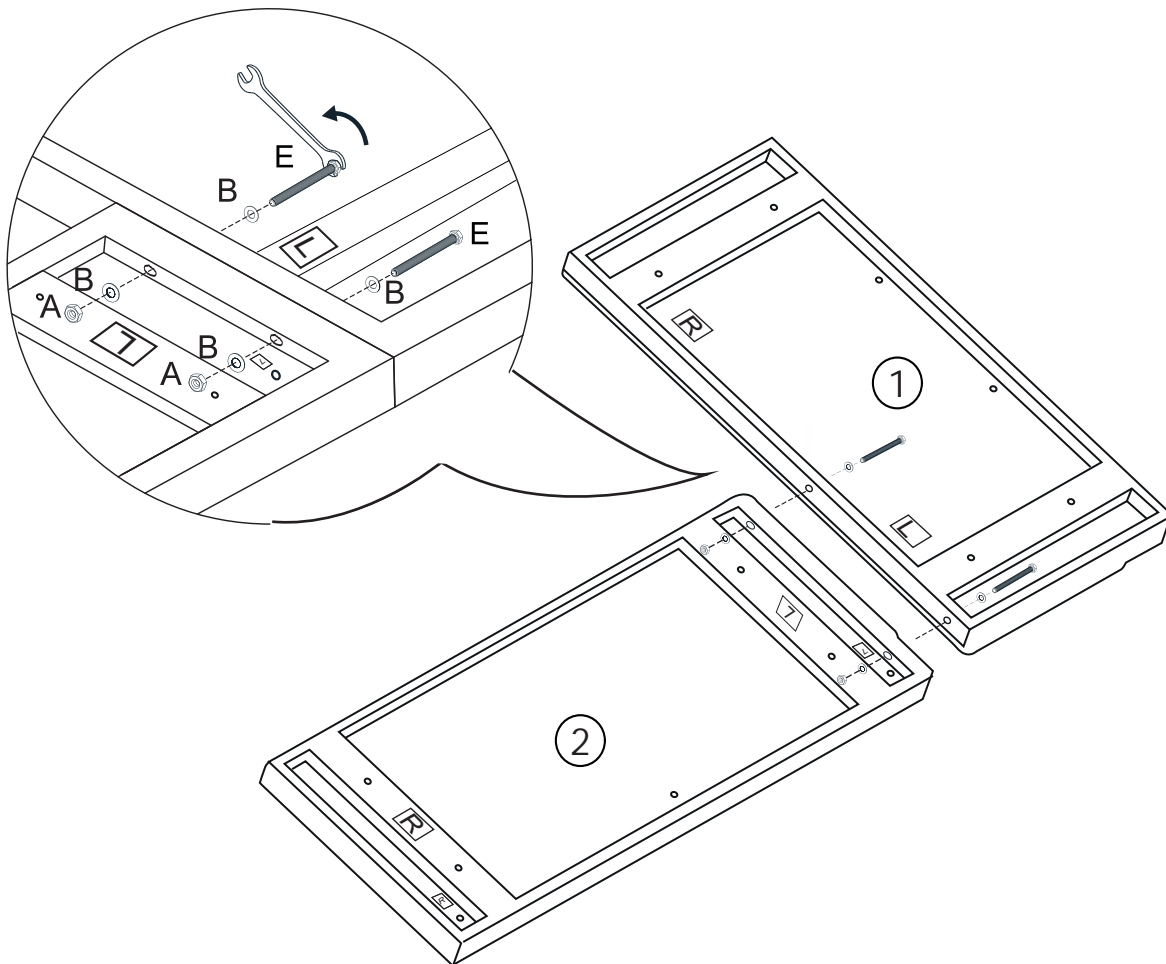
Séparez les éléments avant de trier

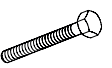


VII.

12.



13.

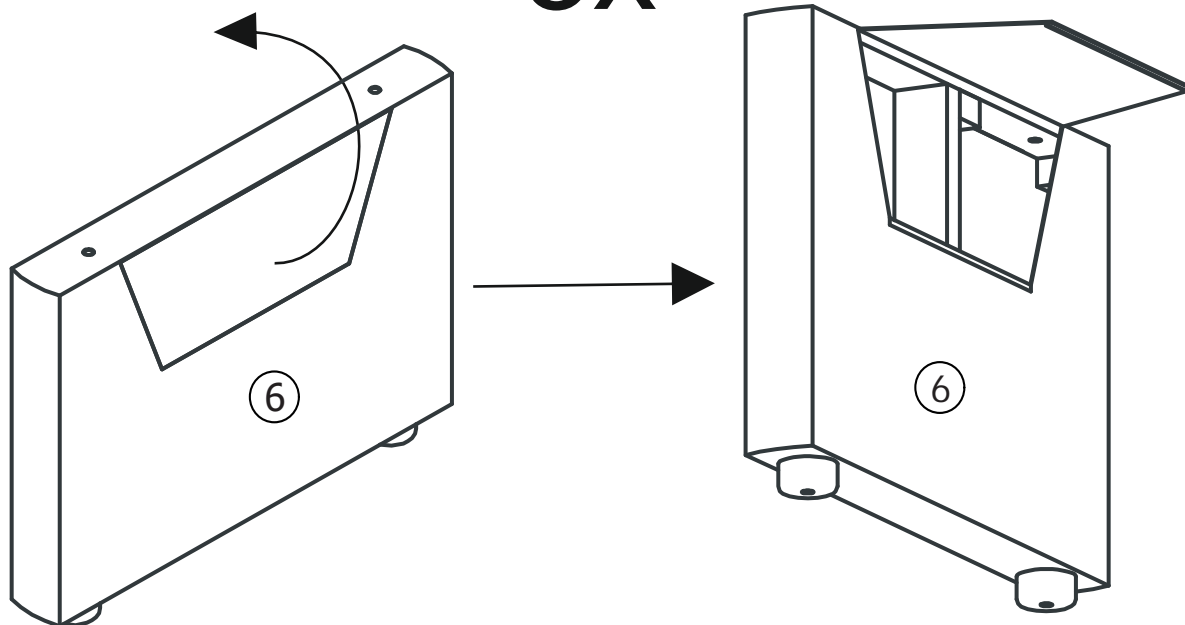


| | |
|---|----|
| E | 2x |
|  | |
| M8x70 | |
| A | 2x |
|  | |
| M8 | |
| B | 4x |
|  | |
| Ø8 | |

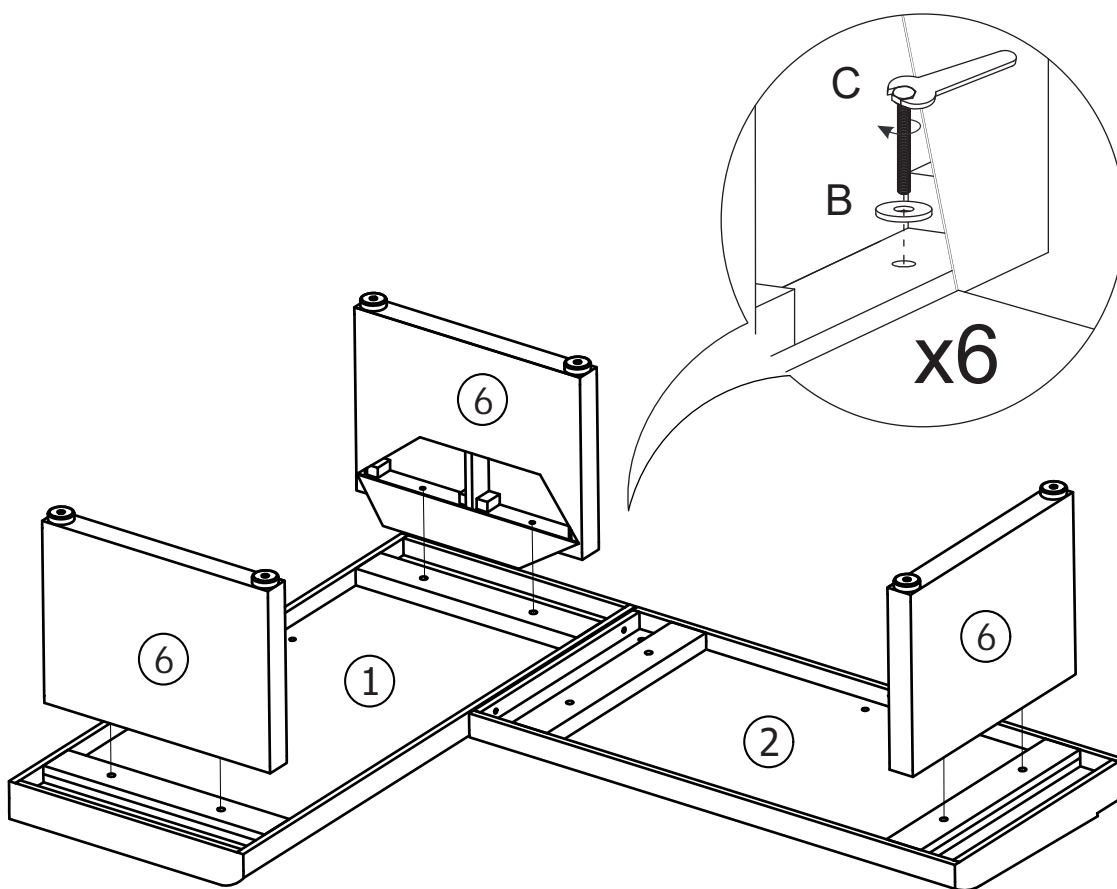
VIII.

14.

3x



15.

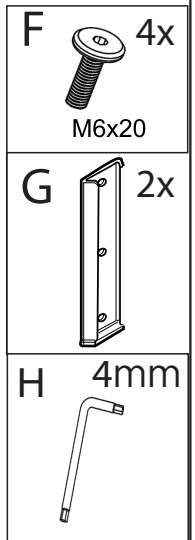
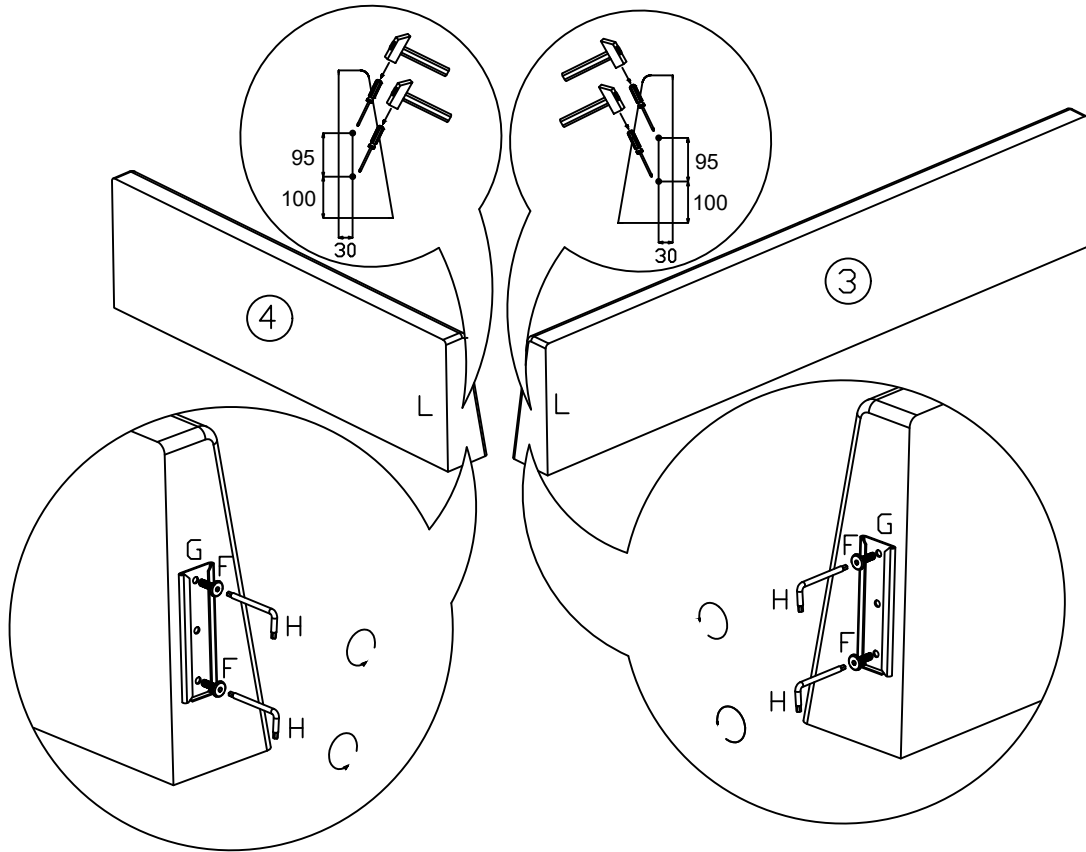


C 6x
M8x90

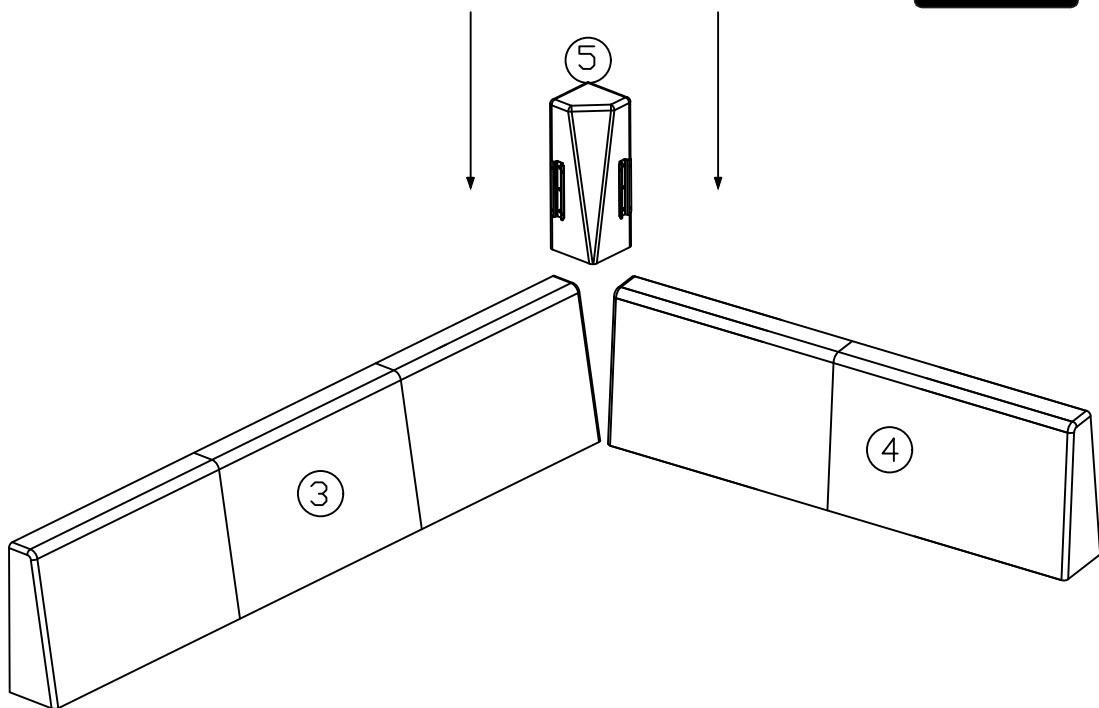
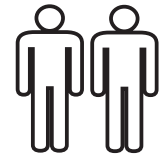
B 6x
Ø8

IX.

16.

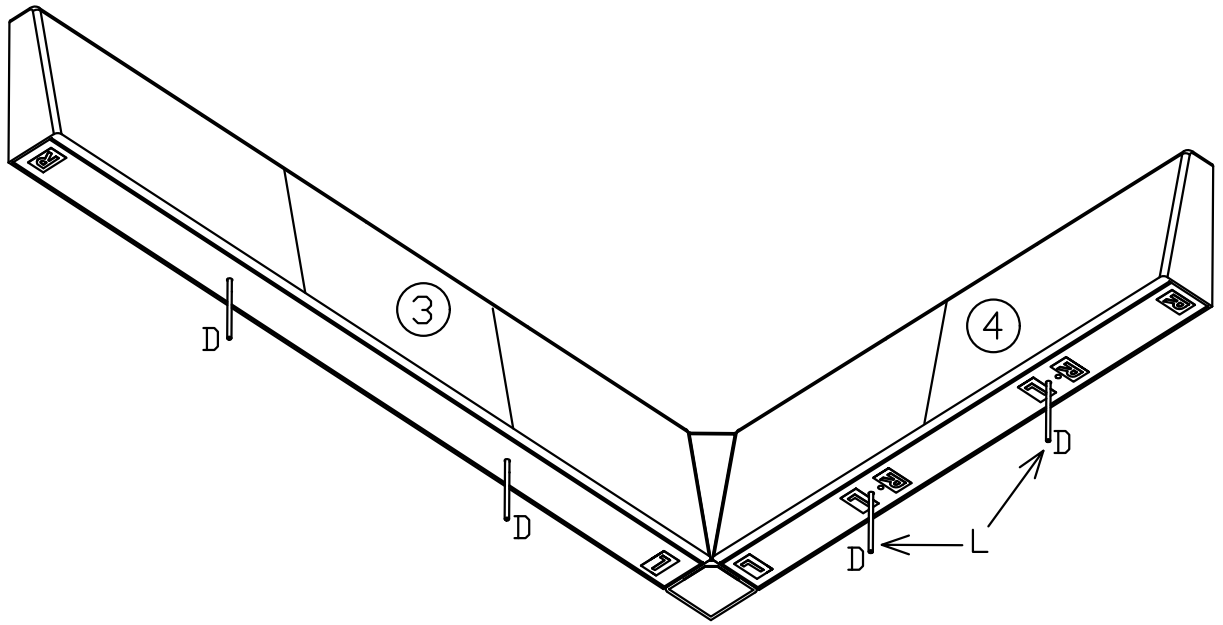


17.

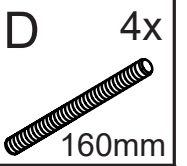


X.

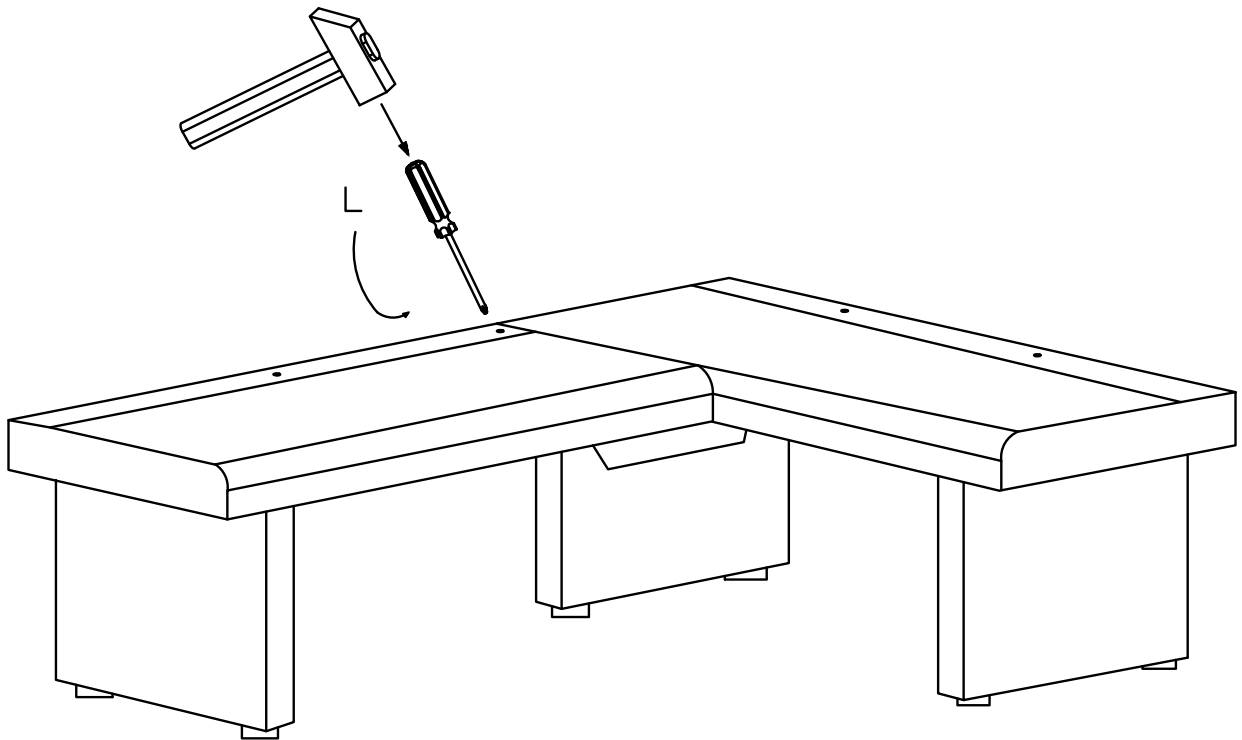
18.



125 mm

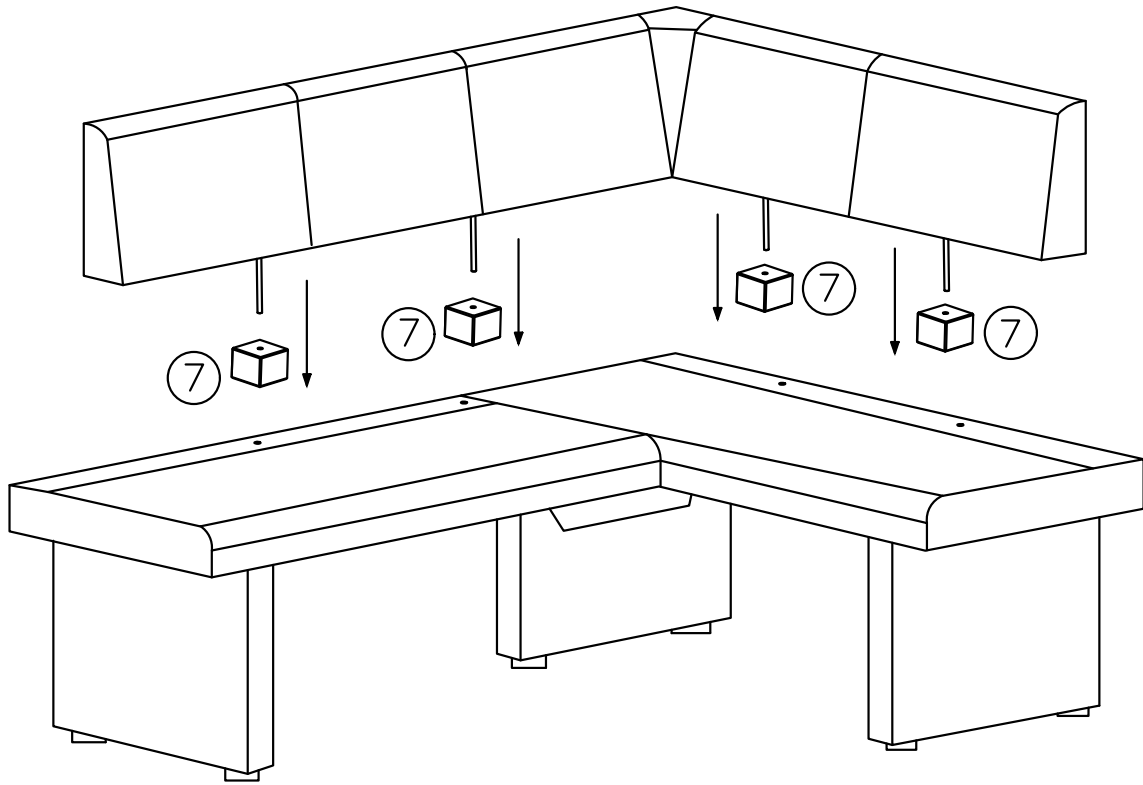


19.

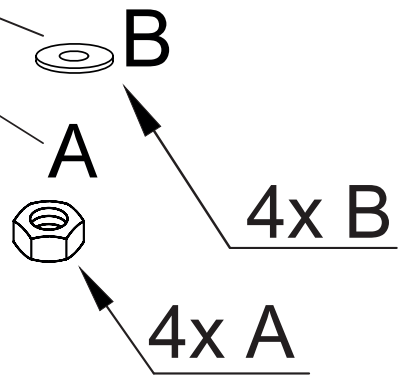
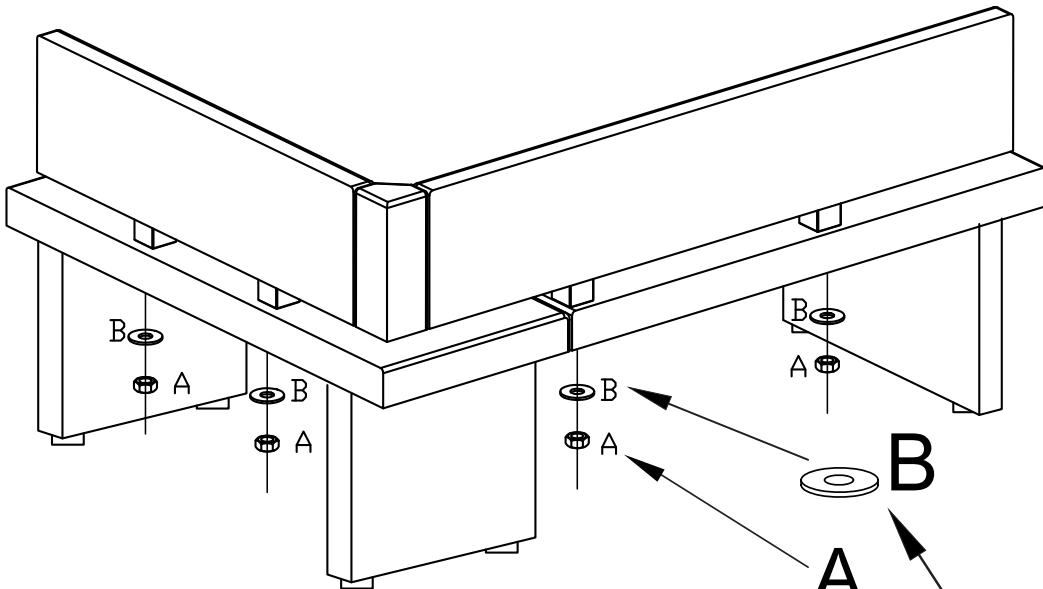
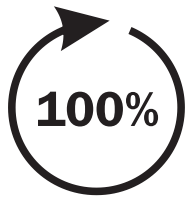
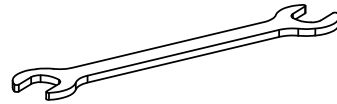


XI.

20.





21.



4x B

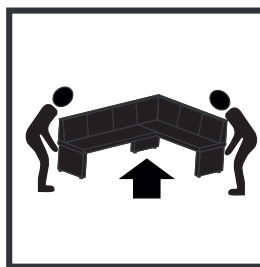
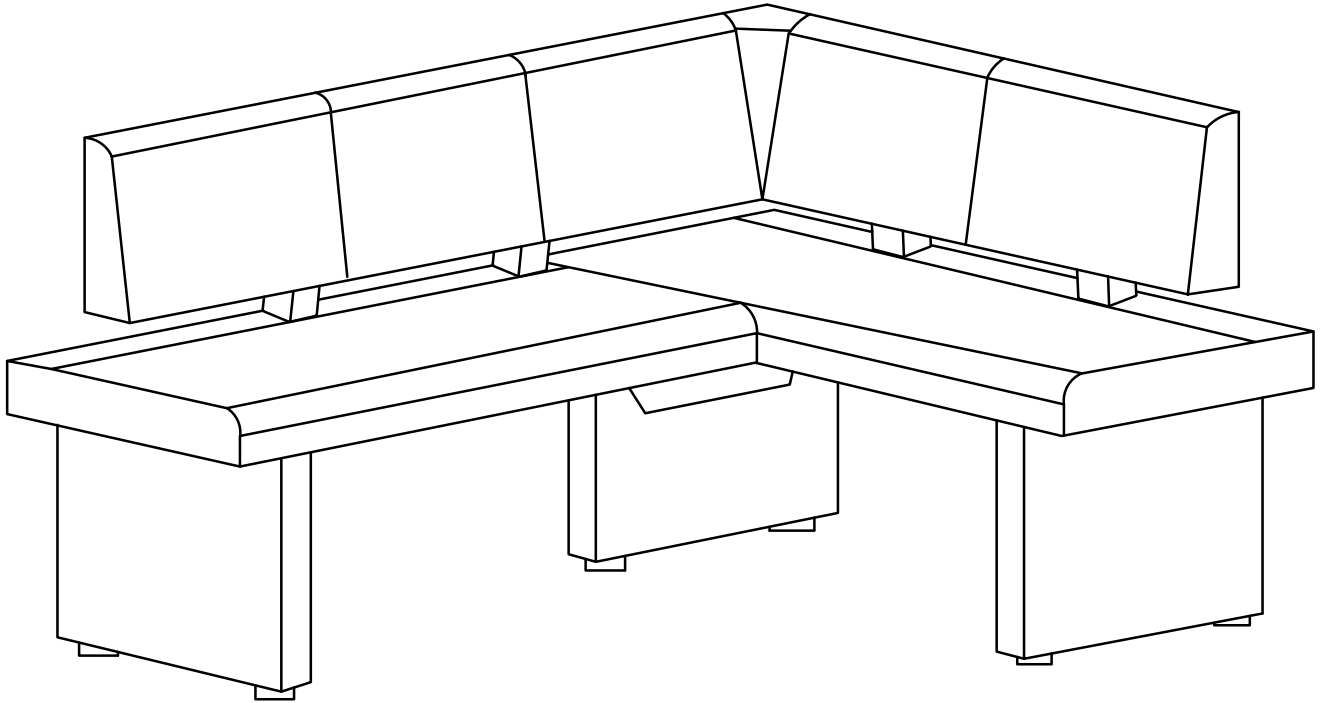
4x A

| | |
|---|----|
| A | 4x |
|  | |
| M8 | |
| B | 4x |
|  | |
| Ø8 | |

XII.

22.

LEVÁ/ AVÁ

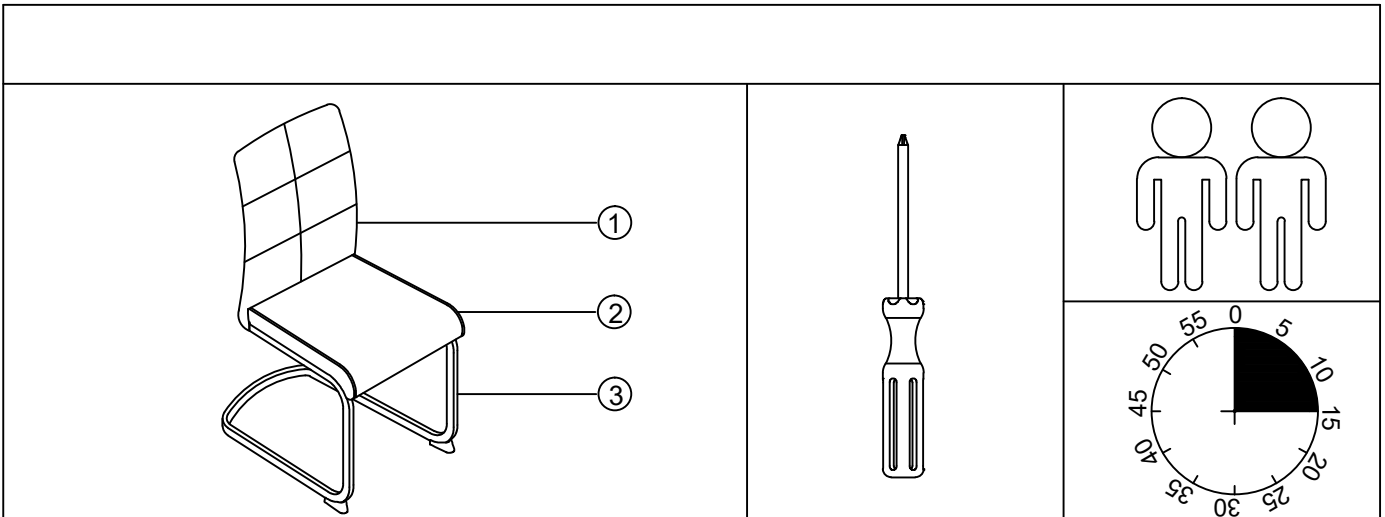


LE TRI
+ FACILE



BAC
DE
TRI

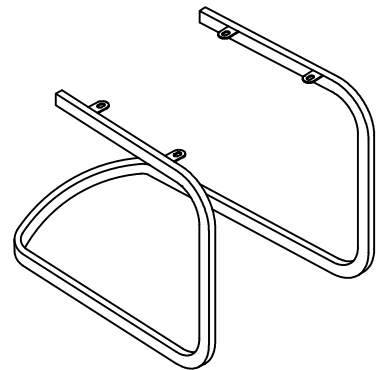
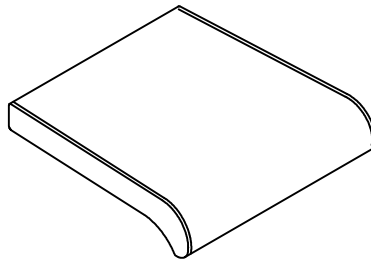
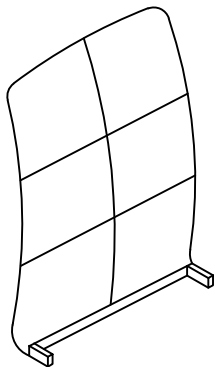
Séparez les éléments avant de trier



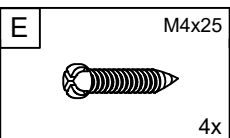
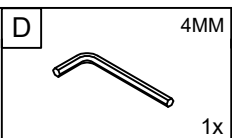
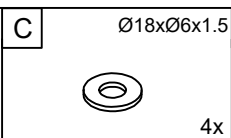
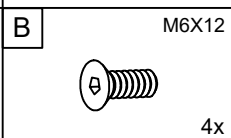
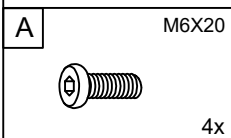
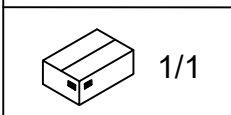
1

2

3



| | |
|---|----|
| 1 | 1x |
| 2 | 1x |
| 3 | 1x |



I.

1

E M4x25
4x

F
2x

100%

2

B M6x12
4x

D 4MM
1x

75%

3

A M6x20
4x

C Ø18xØ6x1.5
4x

D 4MM
1x

75%

4

D 4MM
1x

100%

LE TRI FACILE

BAC DE TRI

Séparez les éléments avant de trier