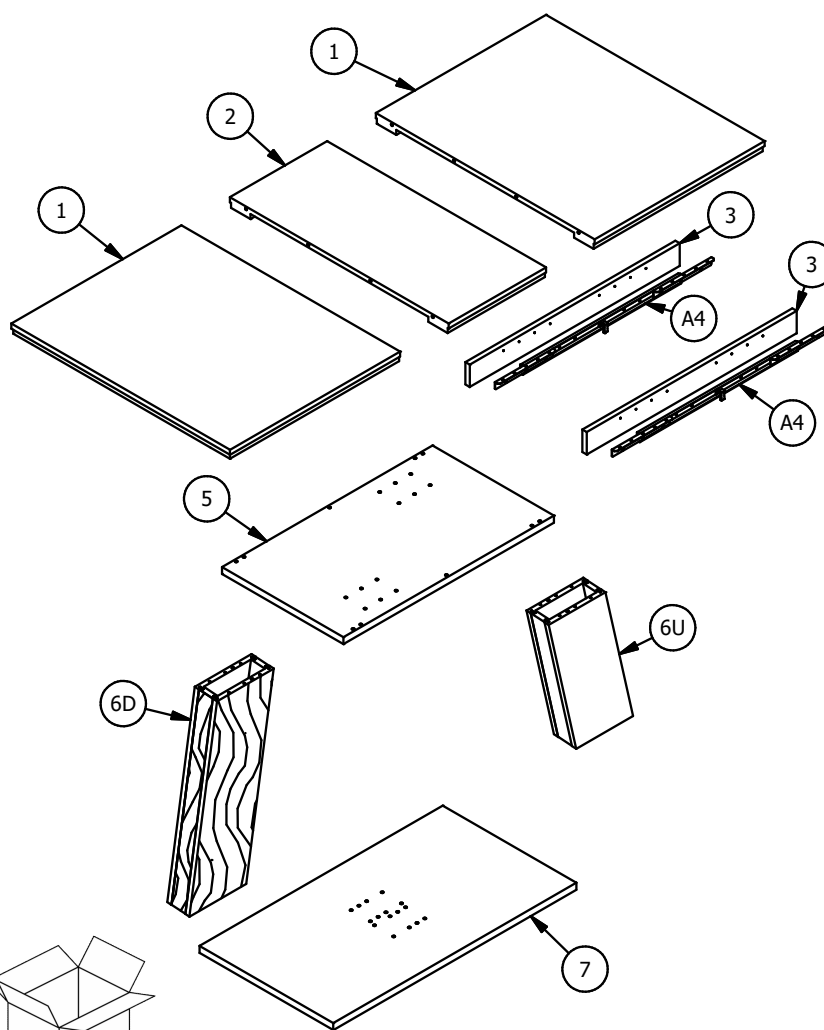
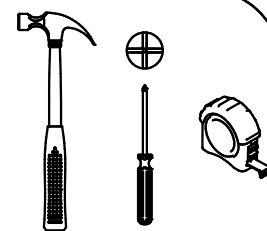
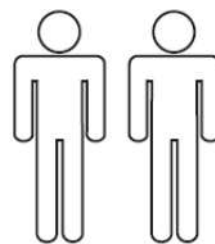
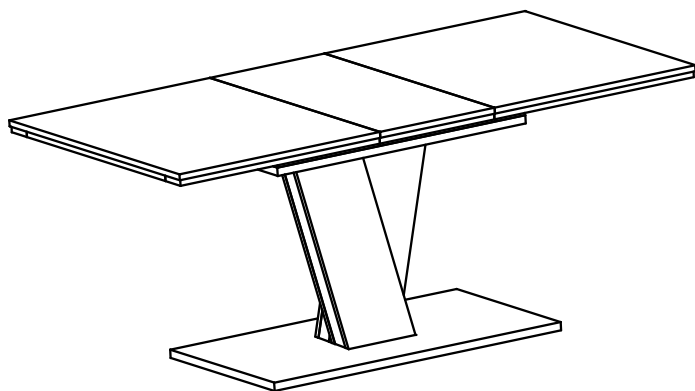
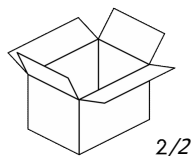








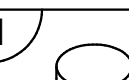




# EDNA

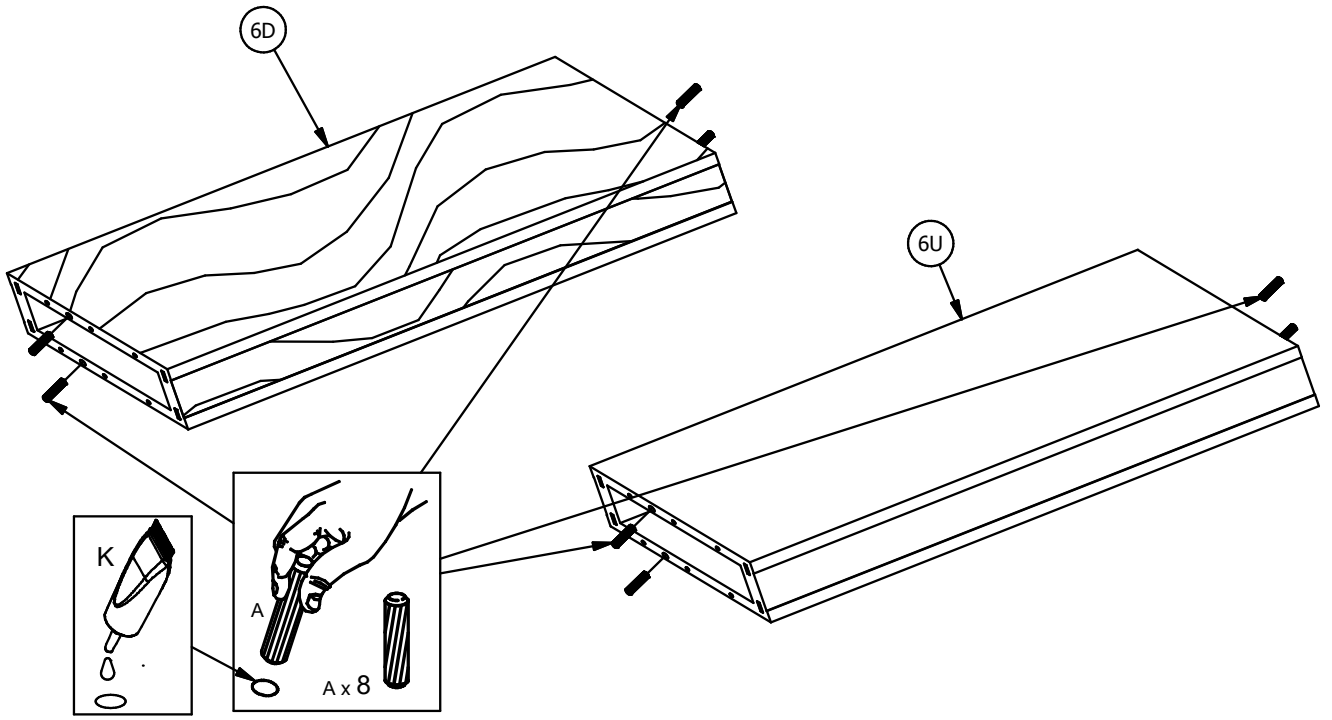
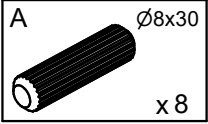


|   |    |    |             |
|---|----|----|-------------|
| 1 | 1  | x2 | 700x900x36  |
| 1 | 2  | x1 | 400x900x36  |
| 2 | 3  | x2 | 865x80x18   |
| 2 | 5  | x1 | 866x500x25  |
| 2 | 6D | x1 | 748x220x96  |
| 2 | 6U | x1 | 748x220x96  |
| 2 | 7  | x1 | 1000x550x25 |
| 2 | A4 | x2 | L-650       |

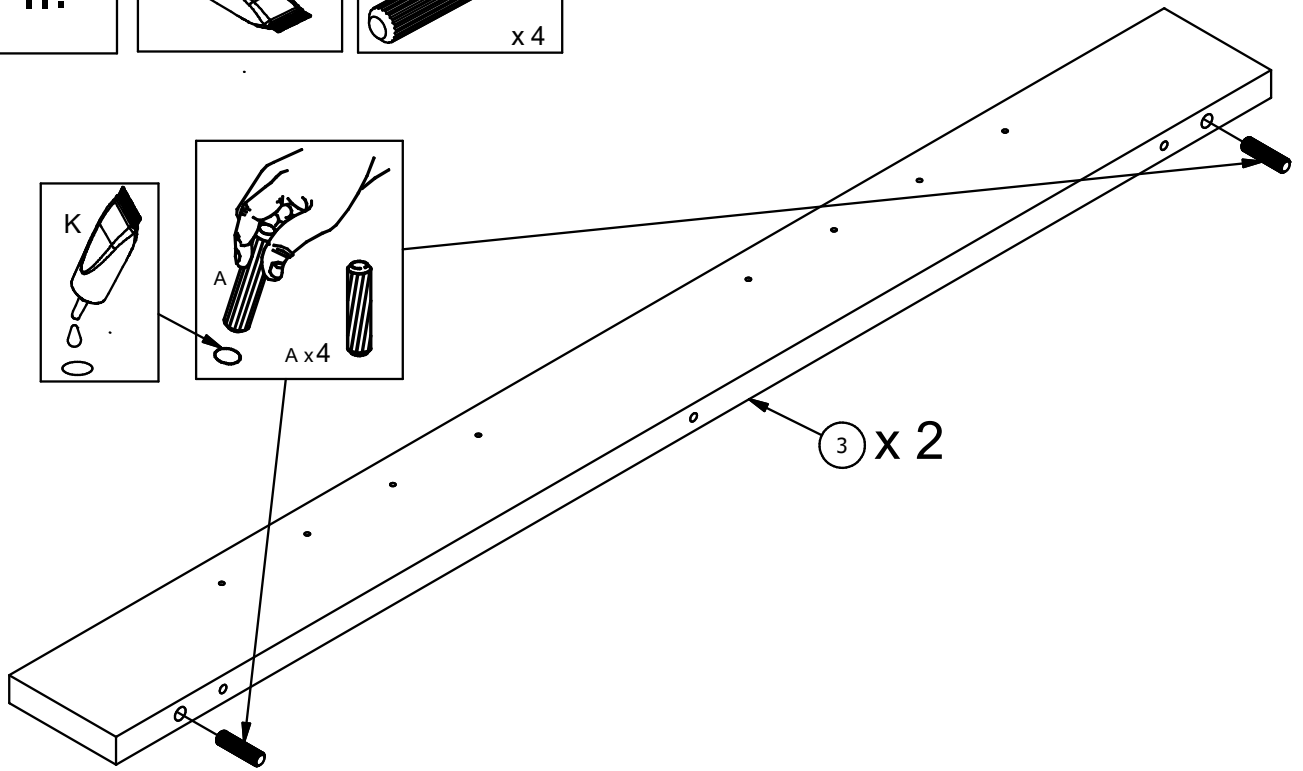
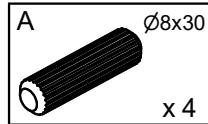
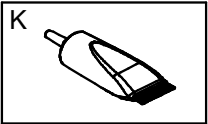


|   |  |   |  |   |  |   |  |   |  |   |   |
|---|--|---|--|---|--|---|--|---|--|---|---|
| A |  $\varnothing 8 \times 30$<br>x12 | B |  $\varnothing 7 \times 50$<br>x30 | C |  $\varnothing 3,5 \times 16$<br>x24 | D |  $\varnothing 3,5 \times 16$<br>x20 | E |  $\varnothing 16 \times H4$<br>x6 | F | <br>x8 |
| G |  x8                               | H |  SW4<br>x1                        | I |  $\varnothing 16 \times 3$<br>x16   | J |  x4                                 | K |  x1                               |   |   |

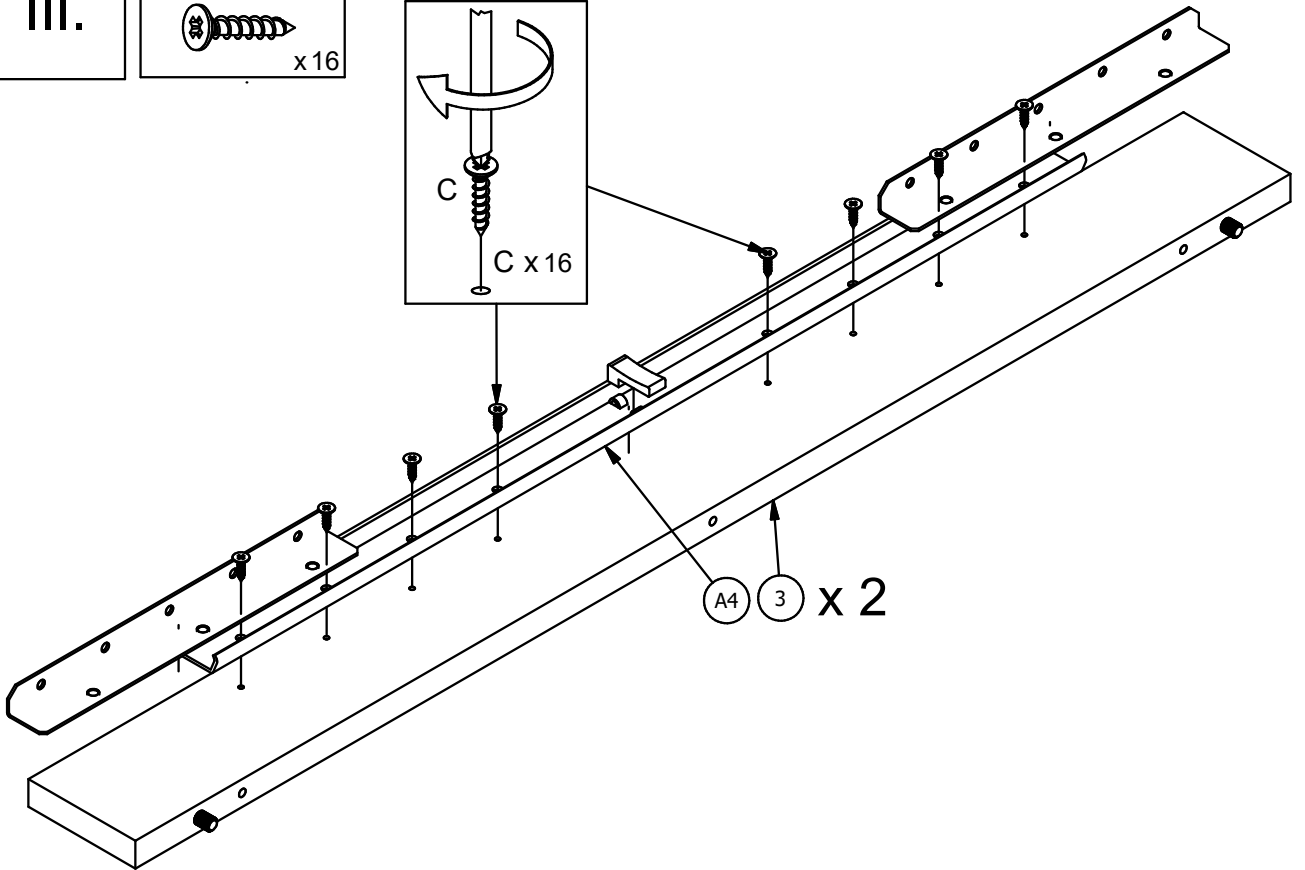
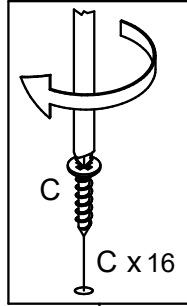
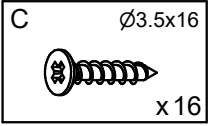
I.



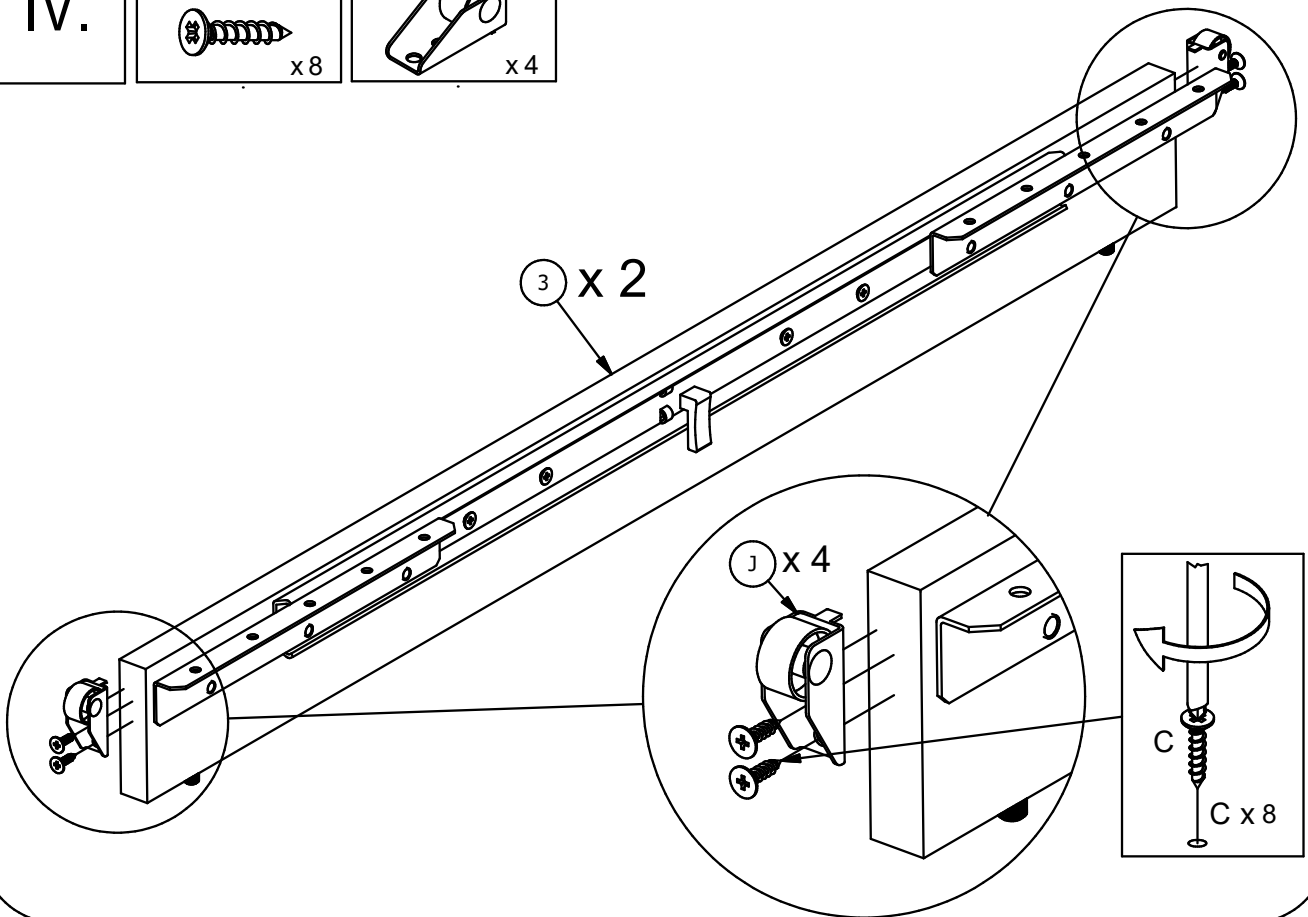
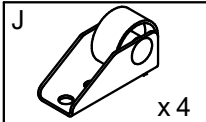
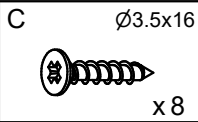
II.



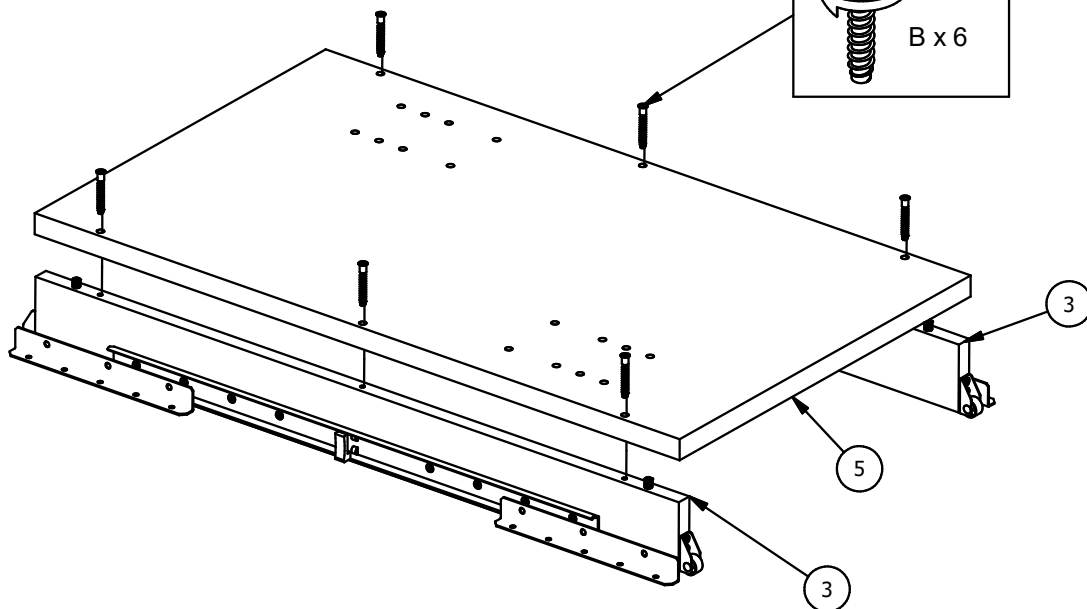
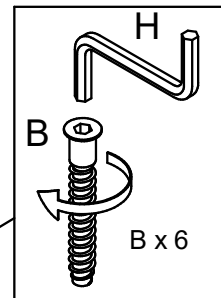
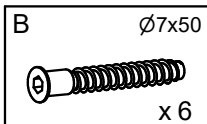
III.



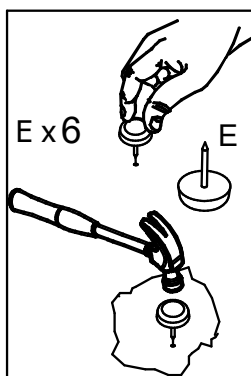
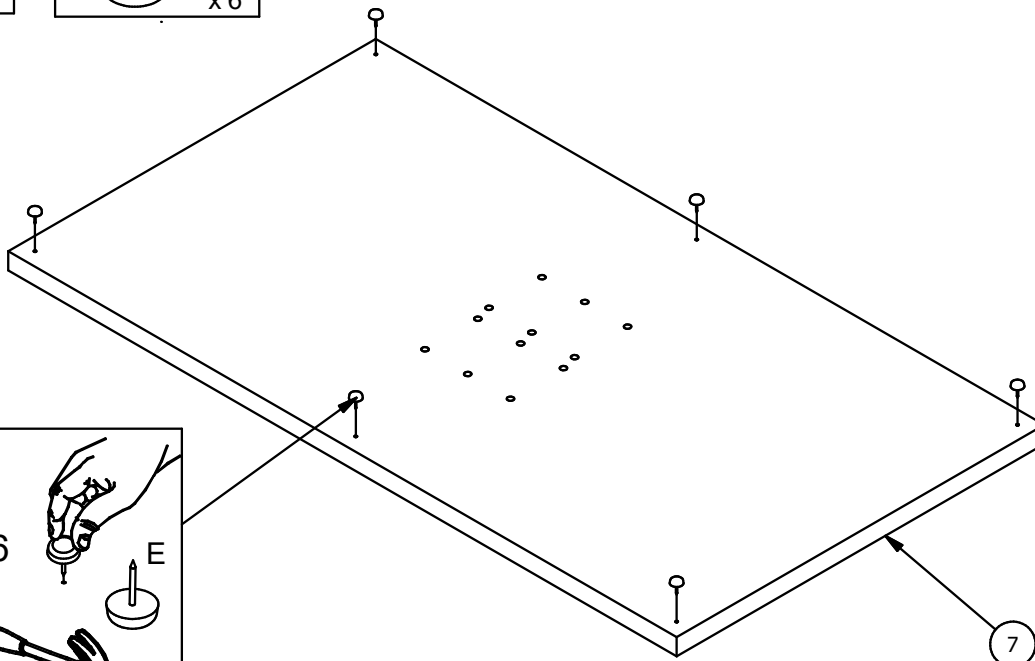
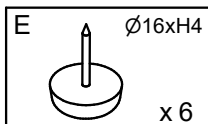
IV.



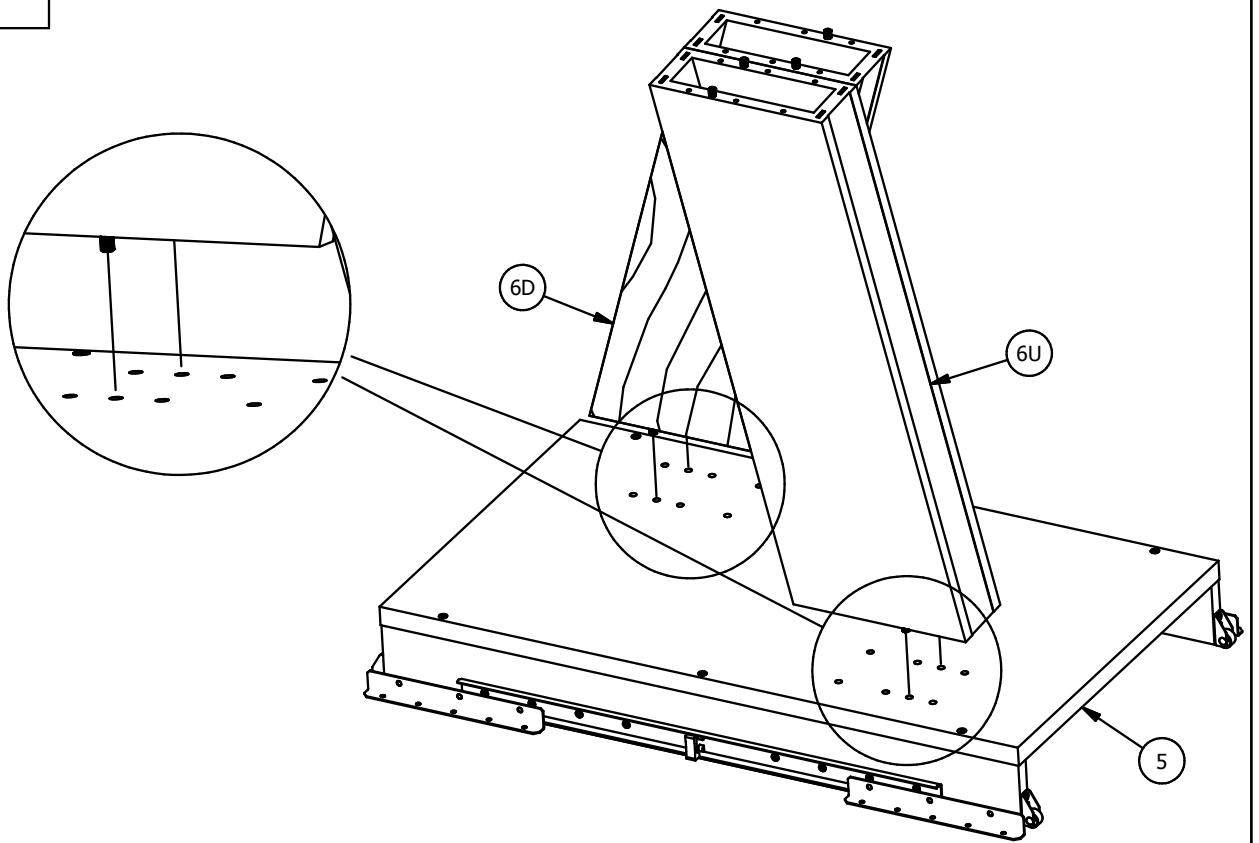
V.



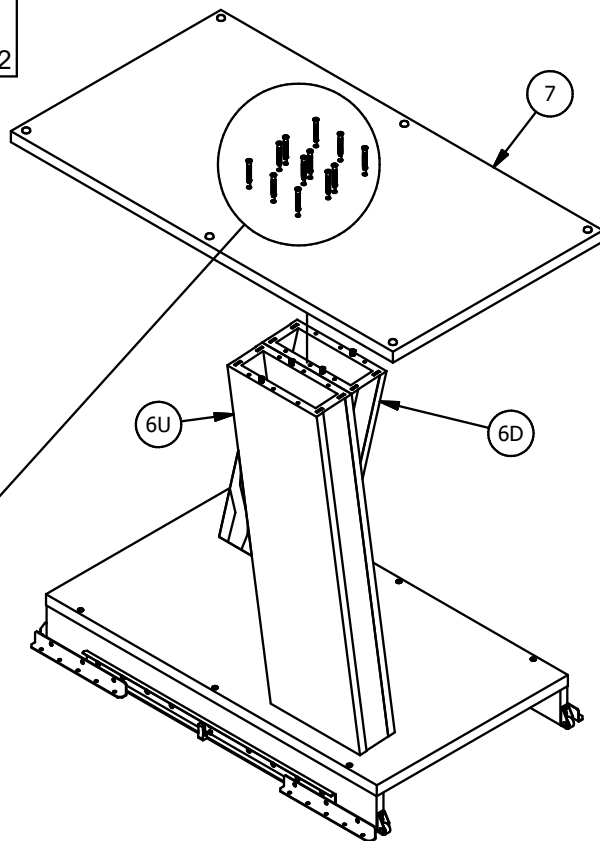
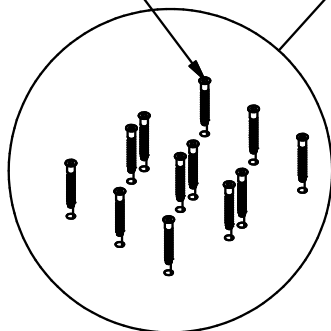
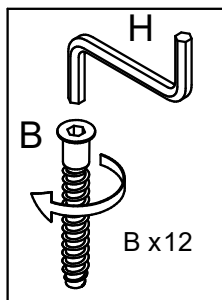
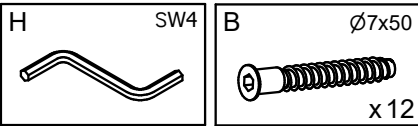
VI.



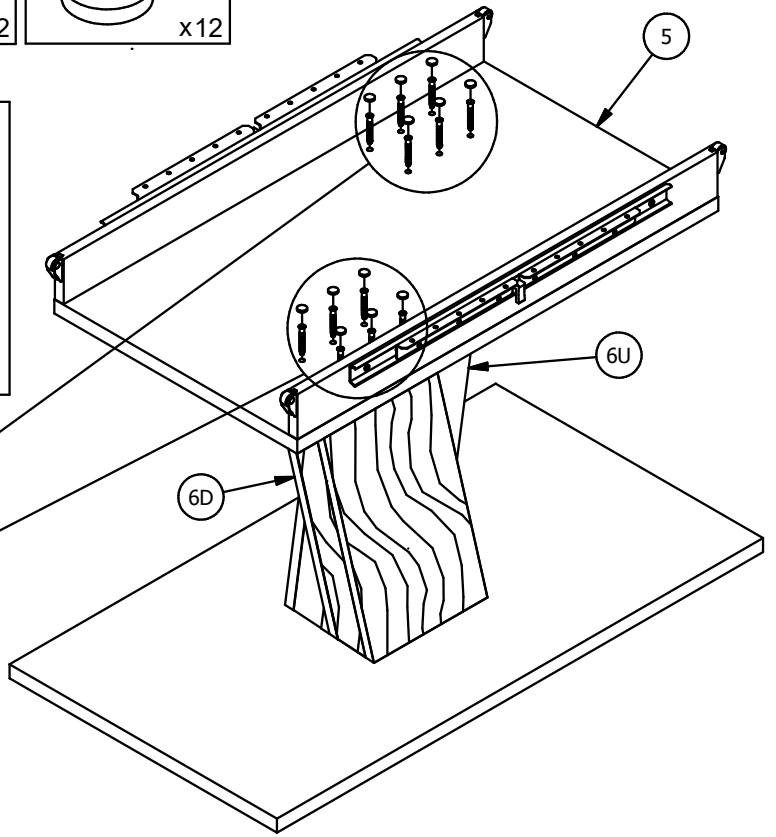
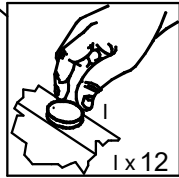
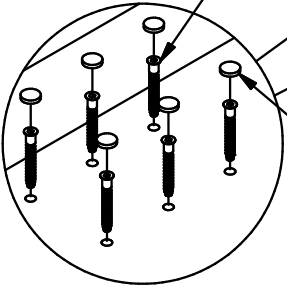
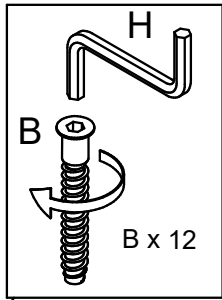
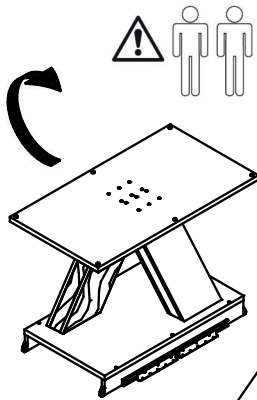
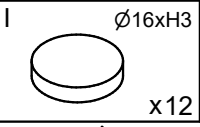
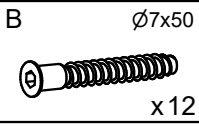
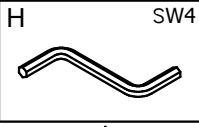
# VII.



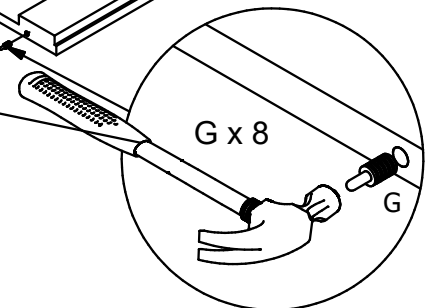
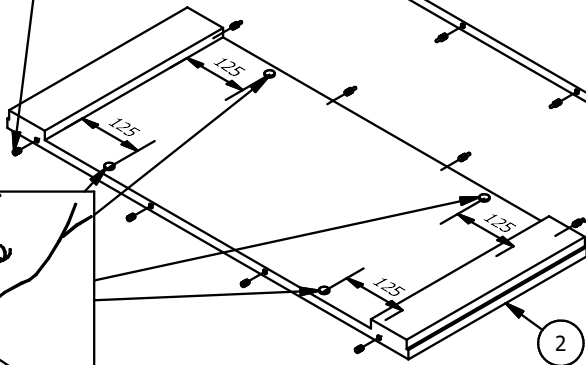
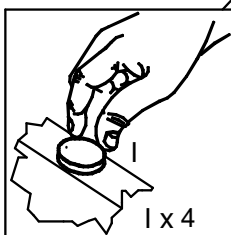
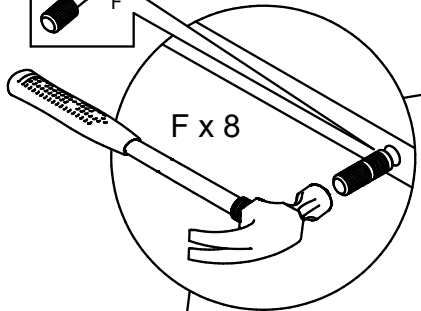
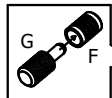
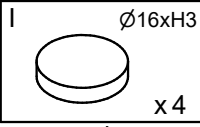
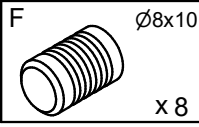
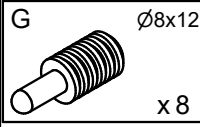
# IIIX.



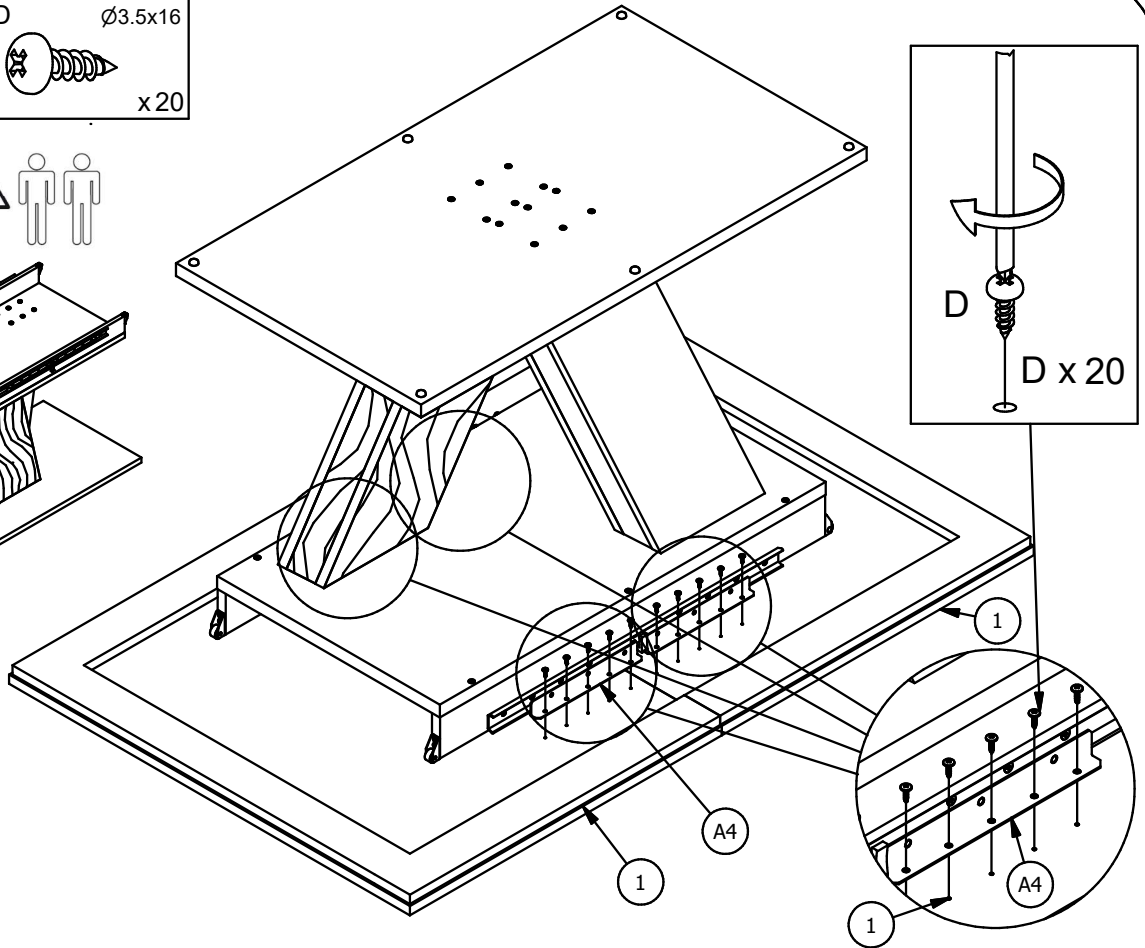
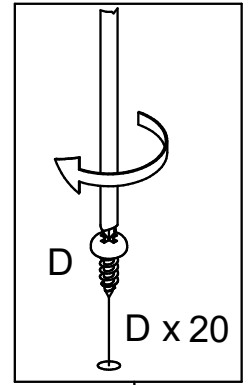
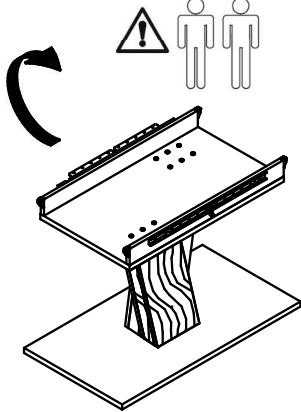
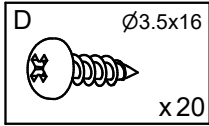
IX.



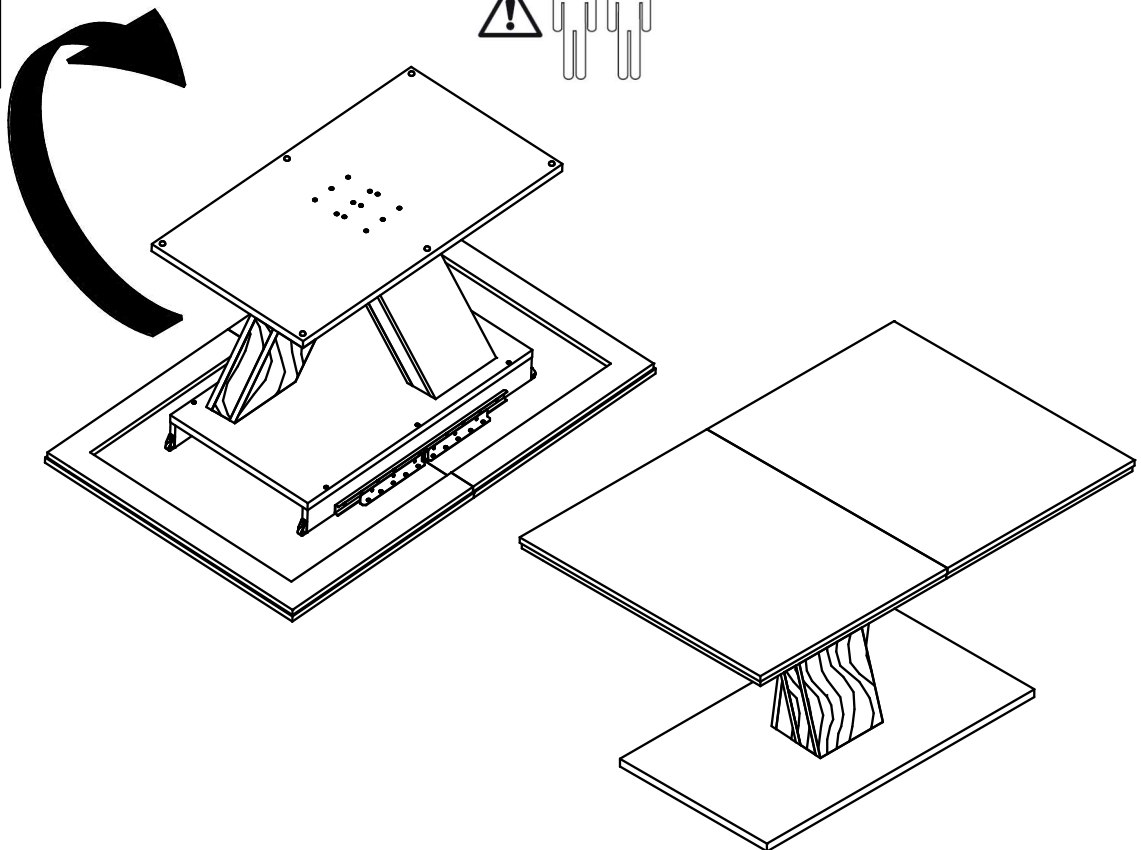
X.



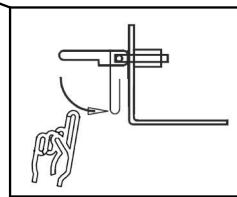
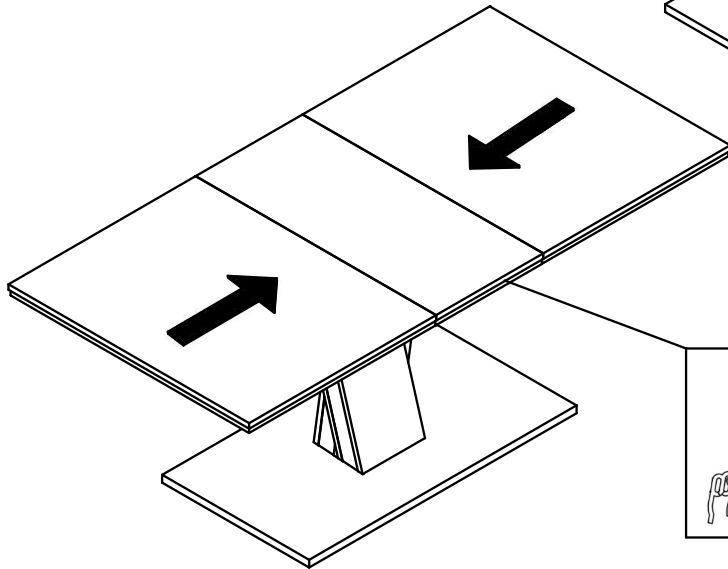
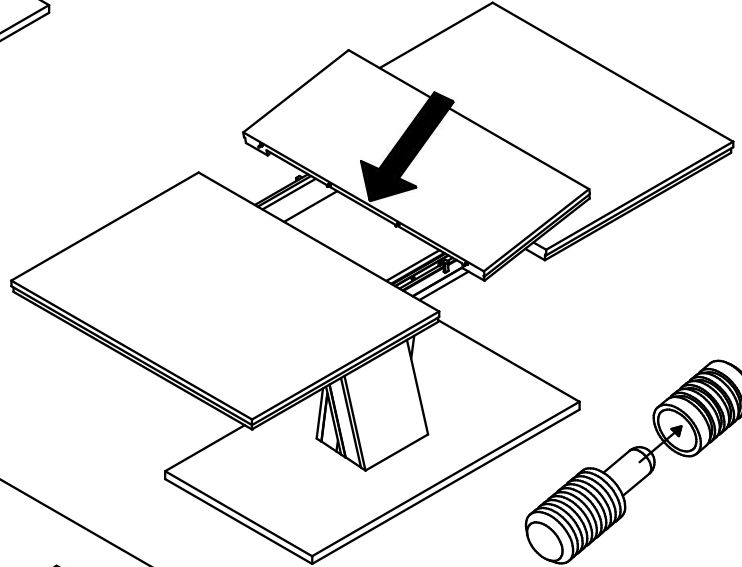
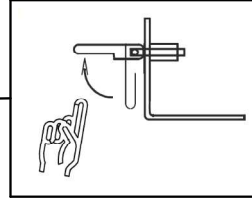
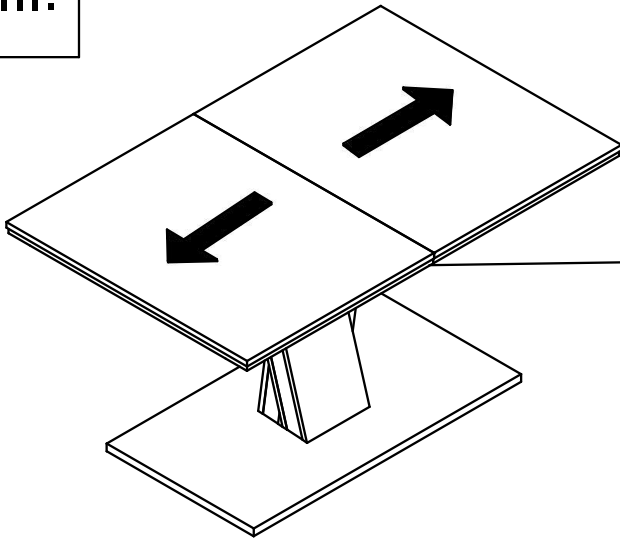
XI.



XII.



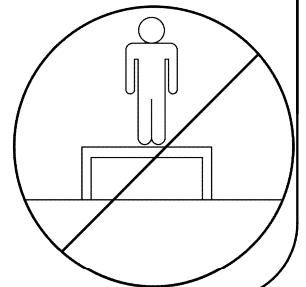
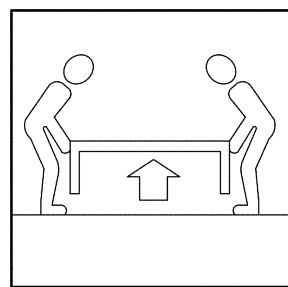
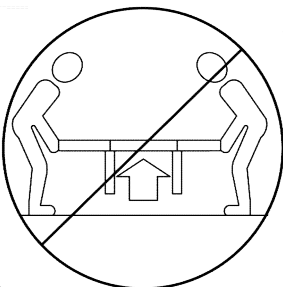
XIII.

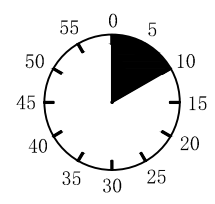
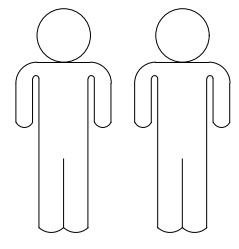
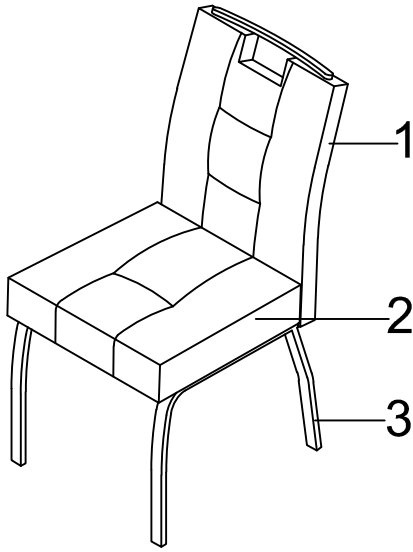


LE TRI  
+ FACILE



Séparez les éléments avant de trier

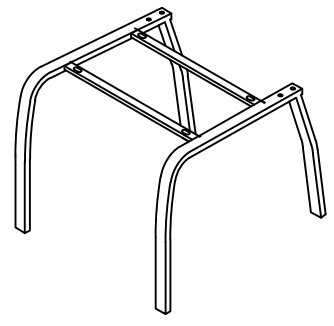
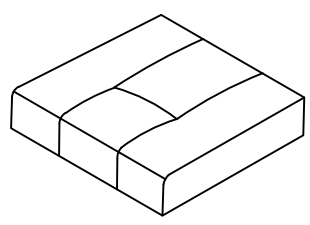
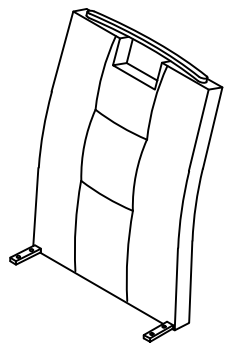




1

2

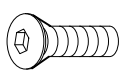
3

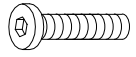



|   |    |
|---|----|
| 1 | 1X |
| 2 | 1X |
| 3 | 1X |

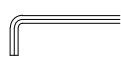


1/1

|   |  |
|---|--|
| A | M6*12  |
|   |  4X |

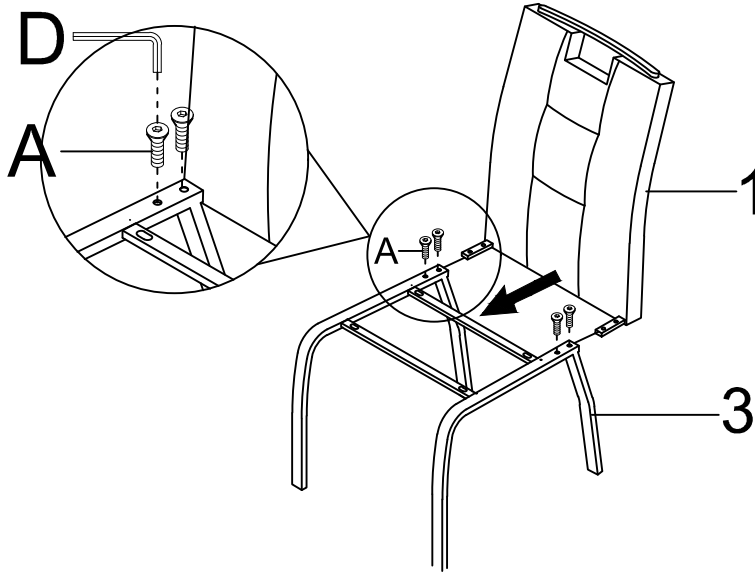
|   |  |
|---|--|
| B | M6*32  |
|   |  4X |

|   |  |
|---|--|
| C | Ø20*Ø6.5*1.5   |
|   |  4X |

|   |  |
|---|--|
| D | 4mm  |
|   |  1X |

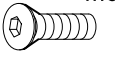
I.

1.



A

M6\*12



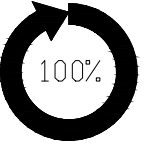
4X

D

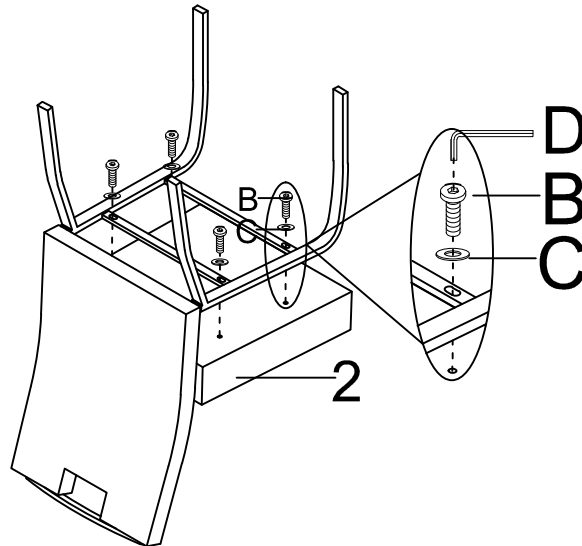
4mm



1X

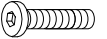


2.



B

M6\*32



4X

C

Ø20\*Ø6.5\*1.5



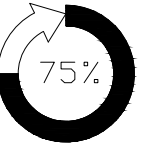
4X

D

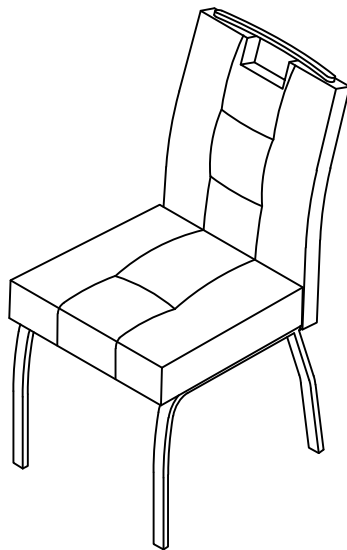
4mm



1X



3.

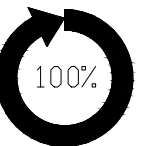


D

4mm



1X



LE TRI  
+ FACILE



Séparez les éléments avant de trier