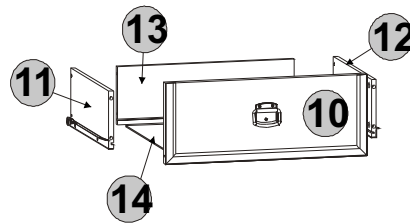
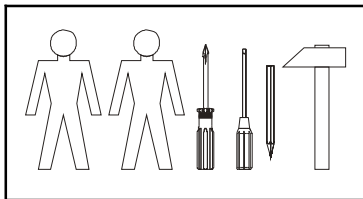
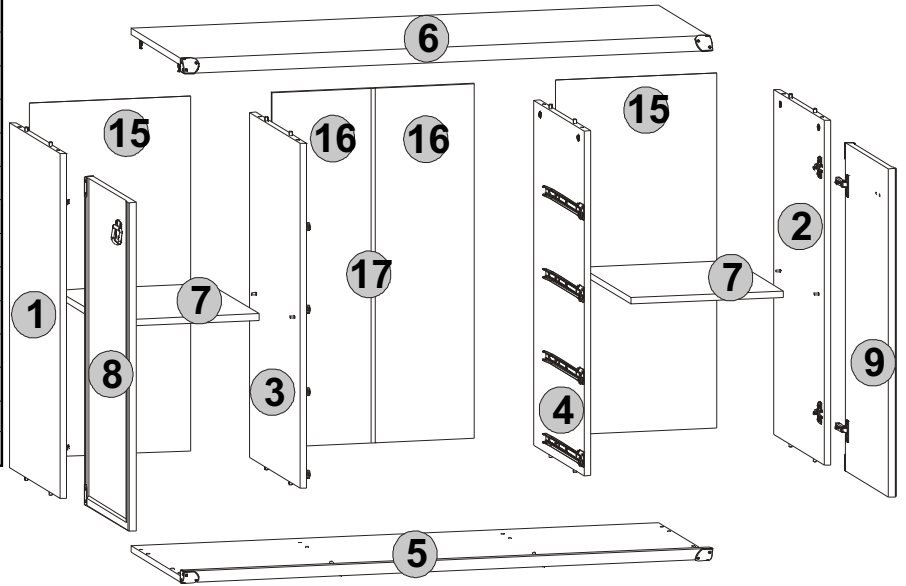


INDIANA 2

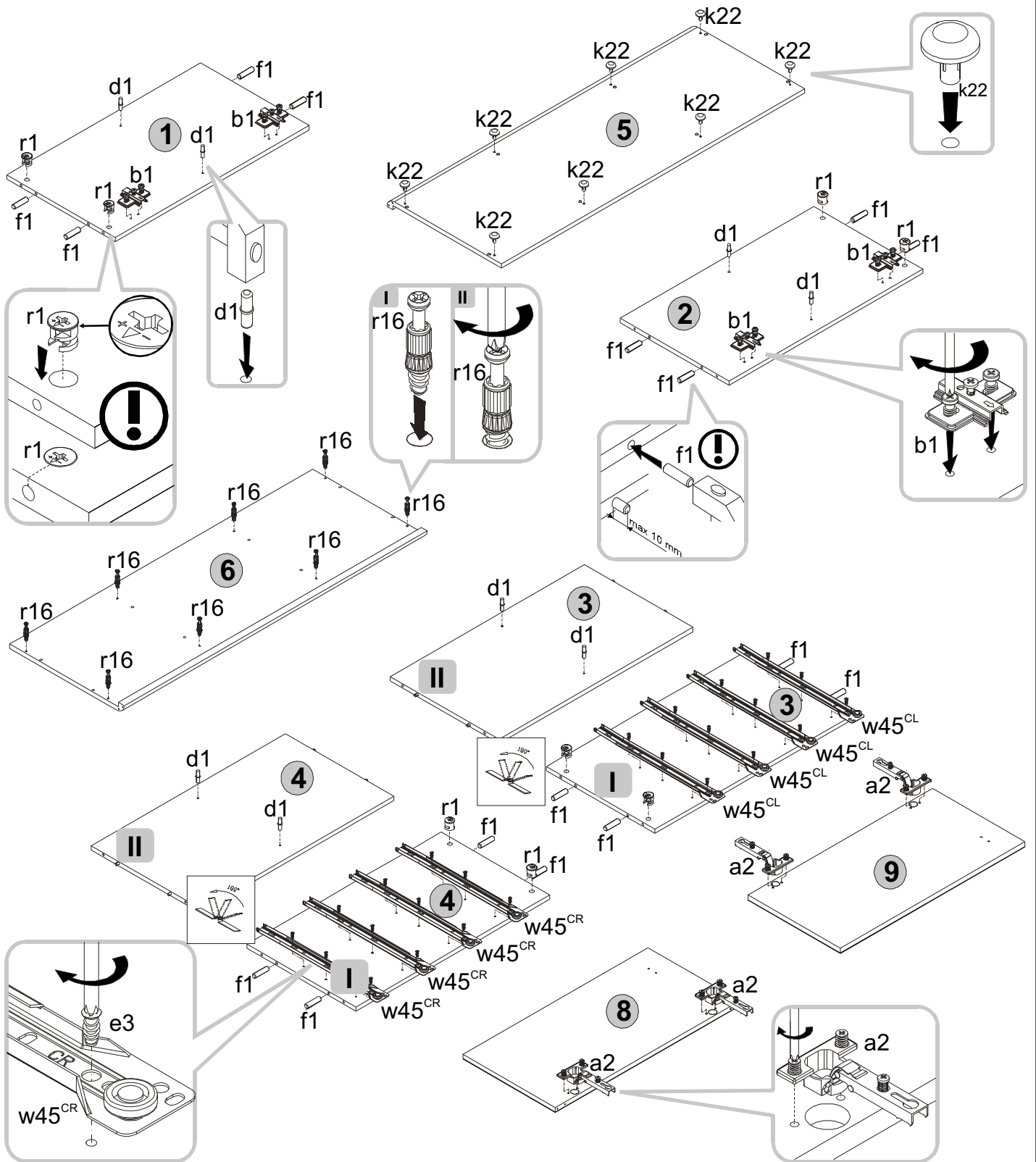
JKOM 2d4s

A	C	B	D
1	832x466	S31-115	1/3
2	832x466	S31-116	1/3
3	832x466	S31-119	1/3
4	832x466	S31-120	1/3
5	1300x491	S31-216	2/3
6	1300x491	S31-217	2/3
7	375x461	S31-312	1/3
8	792x396	S31-016	3/3
9	792x396	S31-017	3/3
10	496x196	S31-0018	3/3
11	350x140	S31-5504	1/3
12	350x140	S31-5505	1/3
13	427x140	S31-5511	1/3
14	437x348	S31-9912	1/3
15	856x397	S31-913	1/3
16	856x249	S31-1914	1/3
17	826x14	Lh-826	1/3

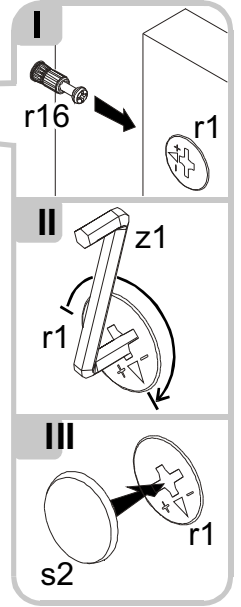
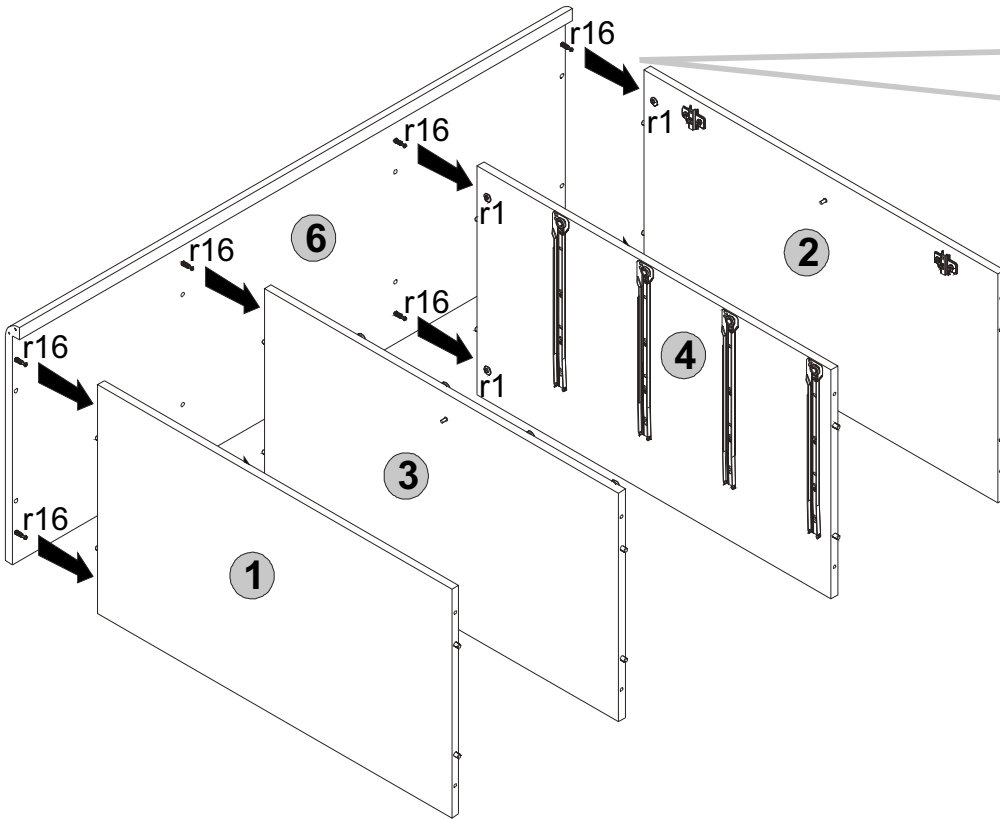


4x a2	4x b1	6x c158 32 mm	8x d1 φ5x17 mm	8x e1 φ7x50 mm	24x e3 φ6x13 mm	16x e19 φ5x9 mm	16x f1 φ8x30 mm
16x f25 φ5.5x40 mm	12x j30 M4x22 mm	8x k22 φ15	90x l1	4x l27	2x l28 ^L	2x l28 ^P	16x p83 φ3x12 mm
24x r1 φ15x12 mm #16	24x r16	6x s2 φ16	4x w45 ^{CL} 350 mm	4x w45 ^{CR} 350 mm	4x w45 ^{DL} 350 mm	4x w45 ^{DR} 350 mm	1x z1

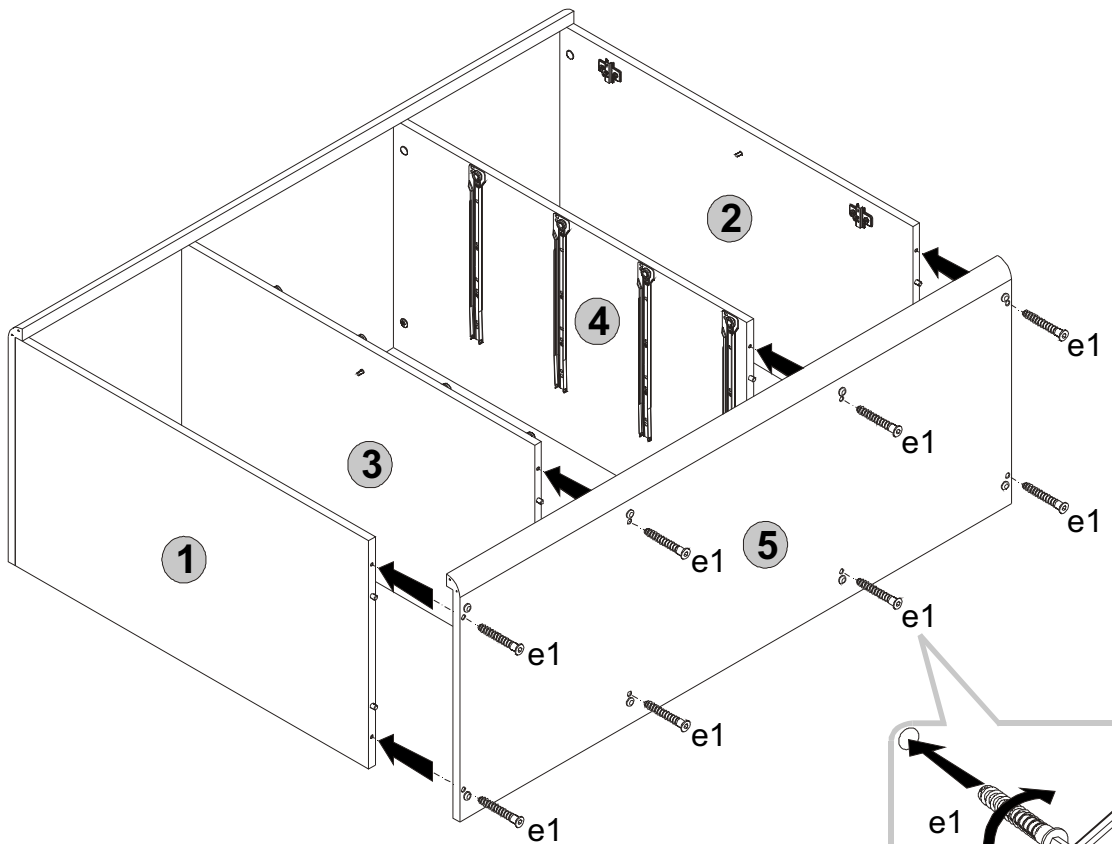
1



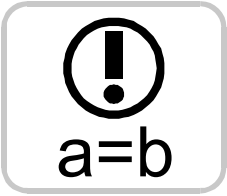
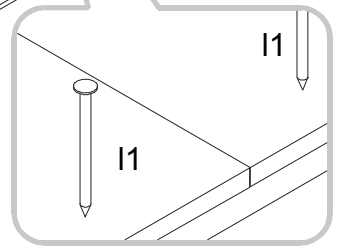
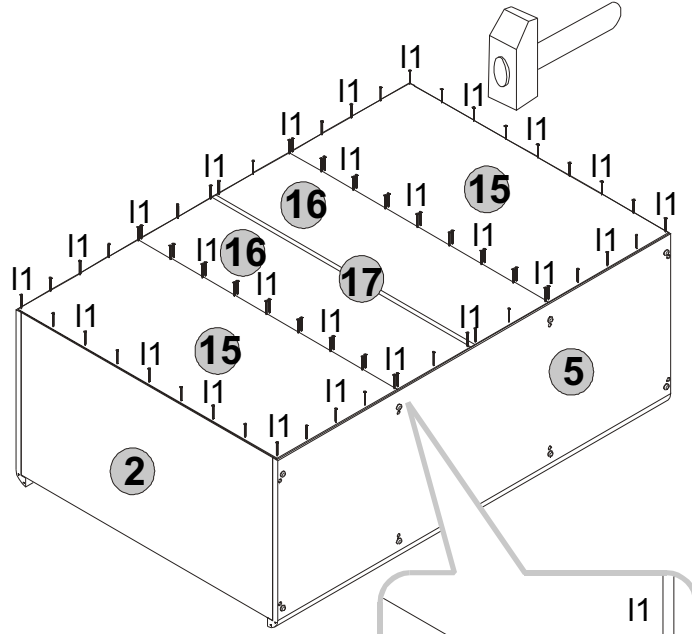
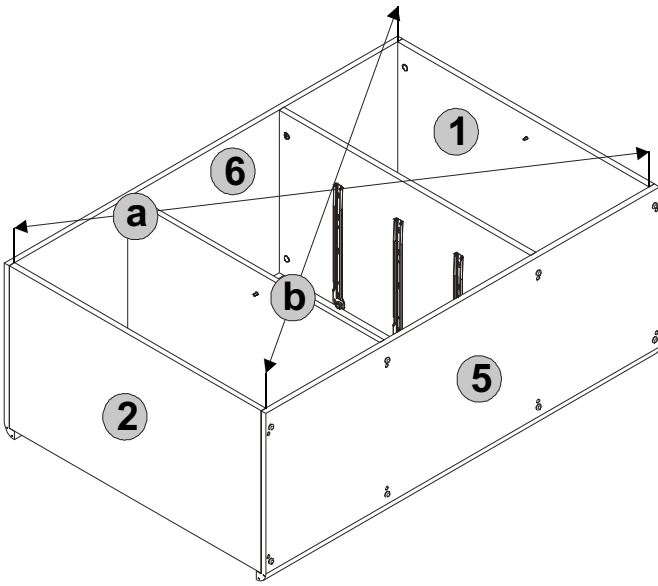
2



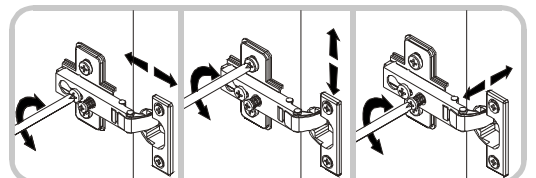
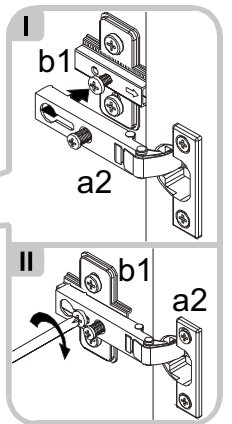
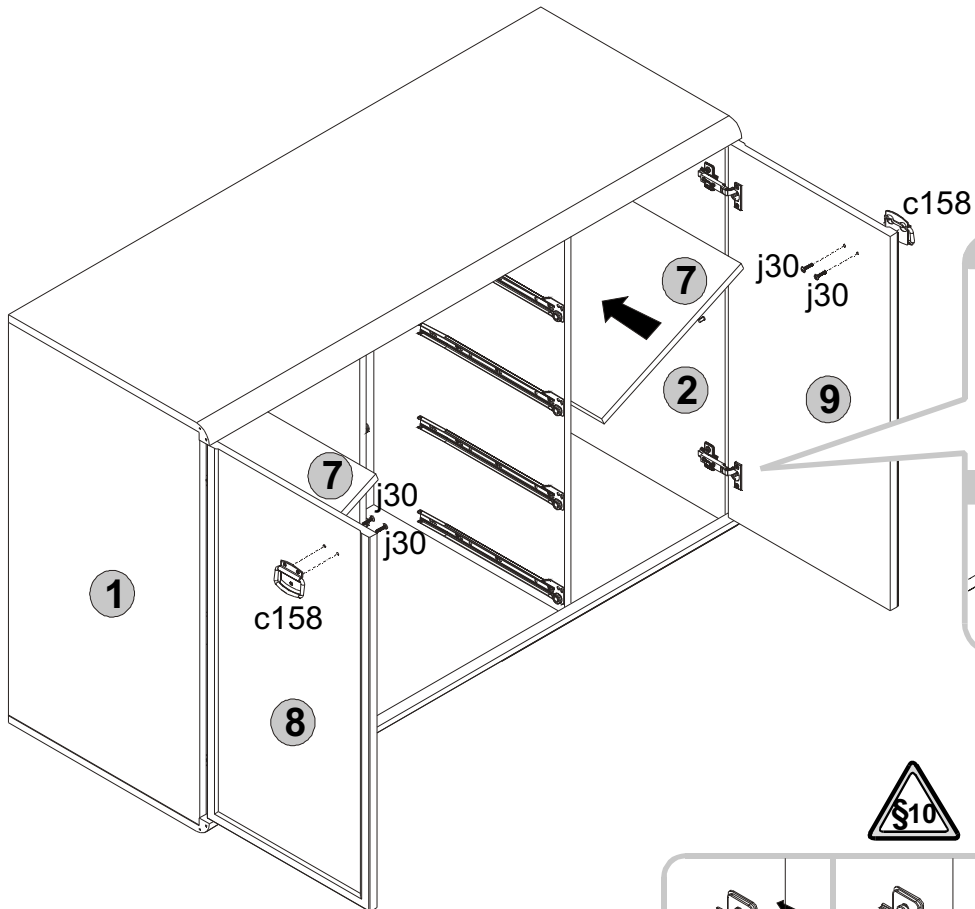
3



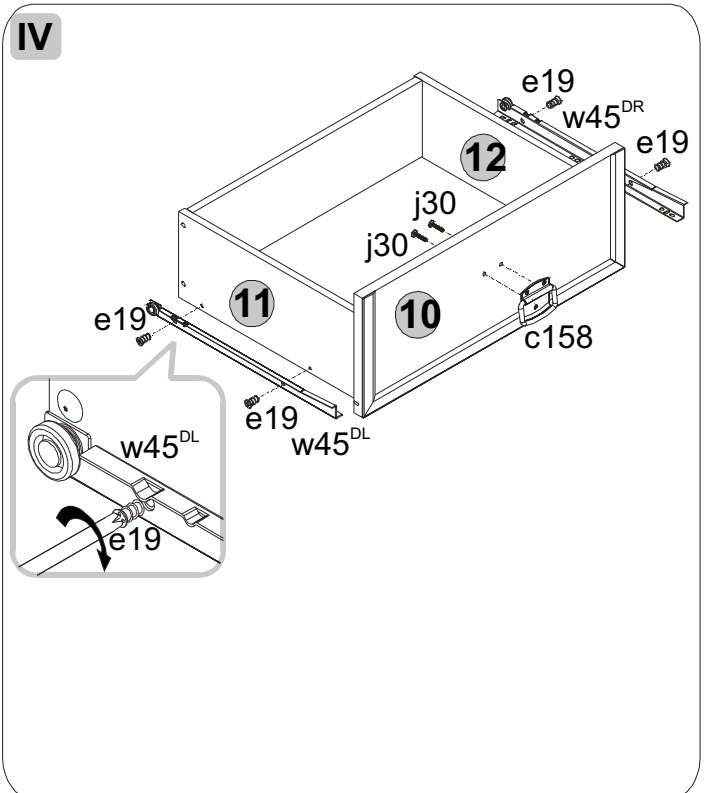
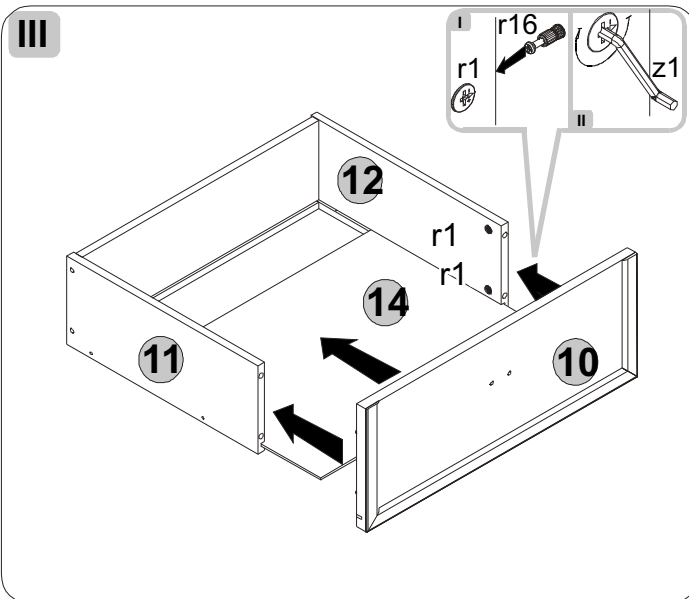
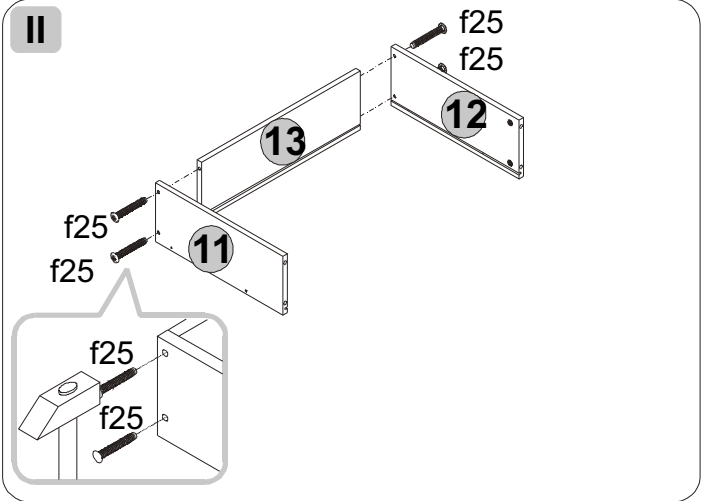
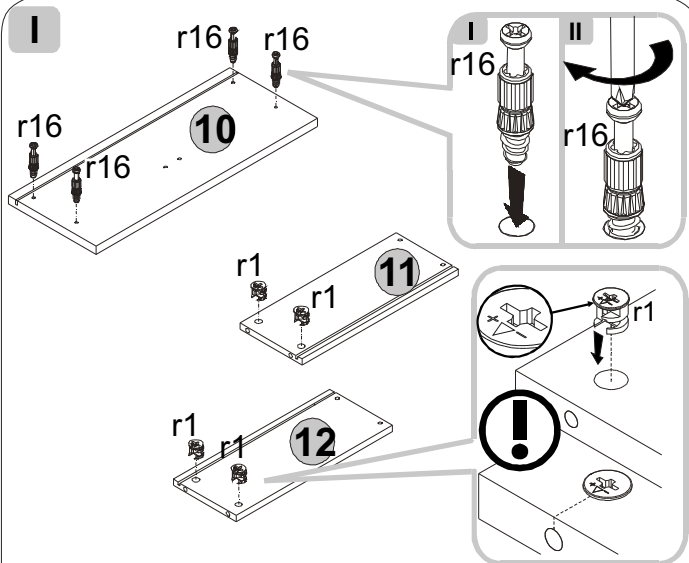
4



5



6



7

