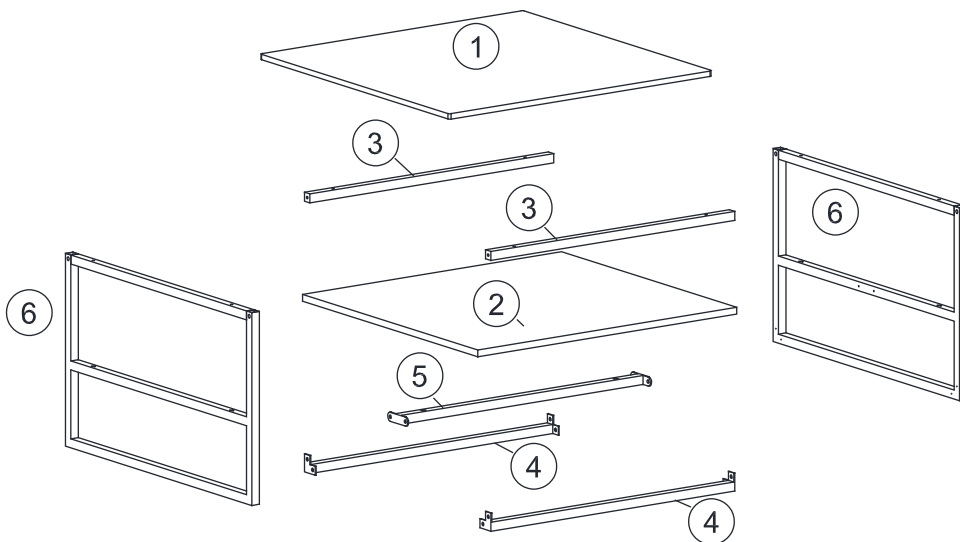
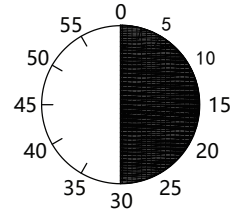
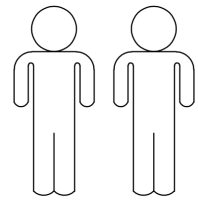
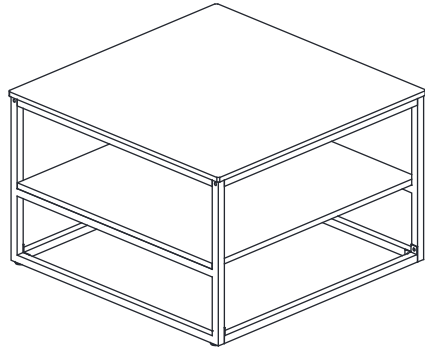
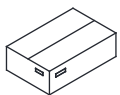







HUGO




1	1x
2	1x
3	2x
4	2x
5	1x
6	2x

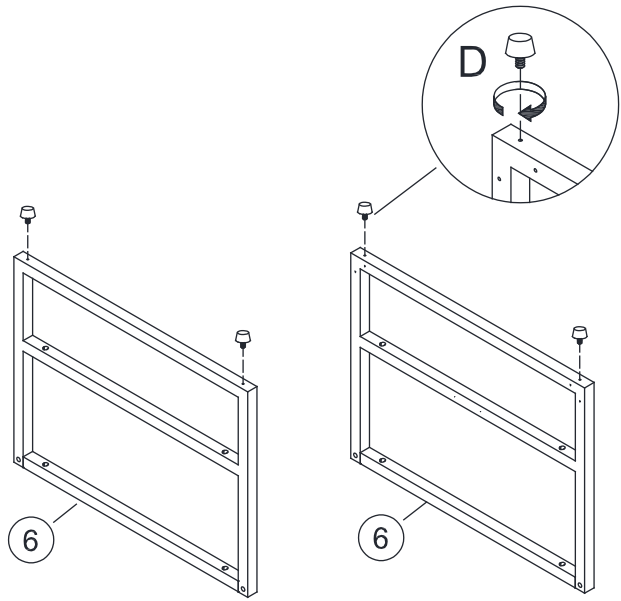


1/1


A	M6x12mm	B	M6x30mm	C	M6x40mm	D	Ø16xM6	E	4mm	F	φ25mm
	12x		6x		4x		4x		1x		8x


1.


D  Ø16xM6
4x




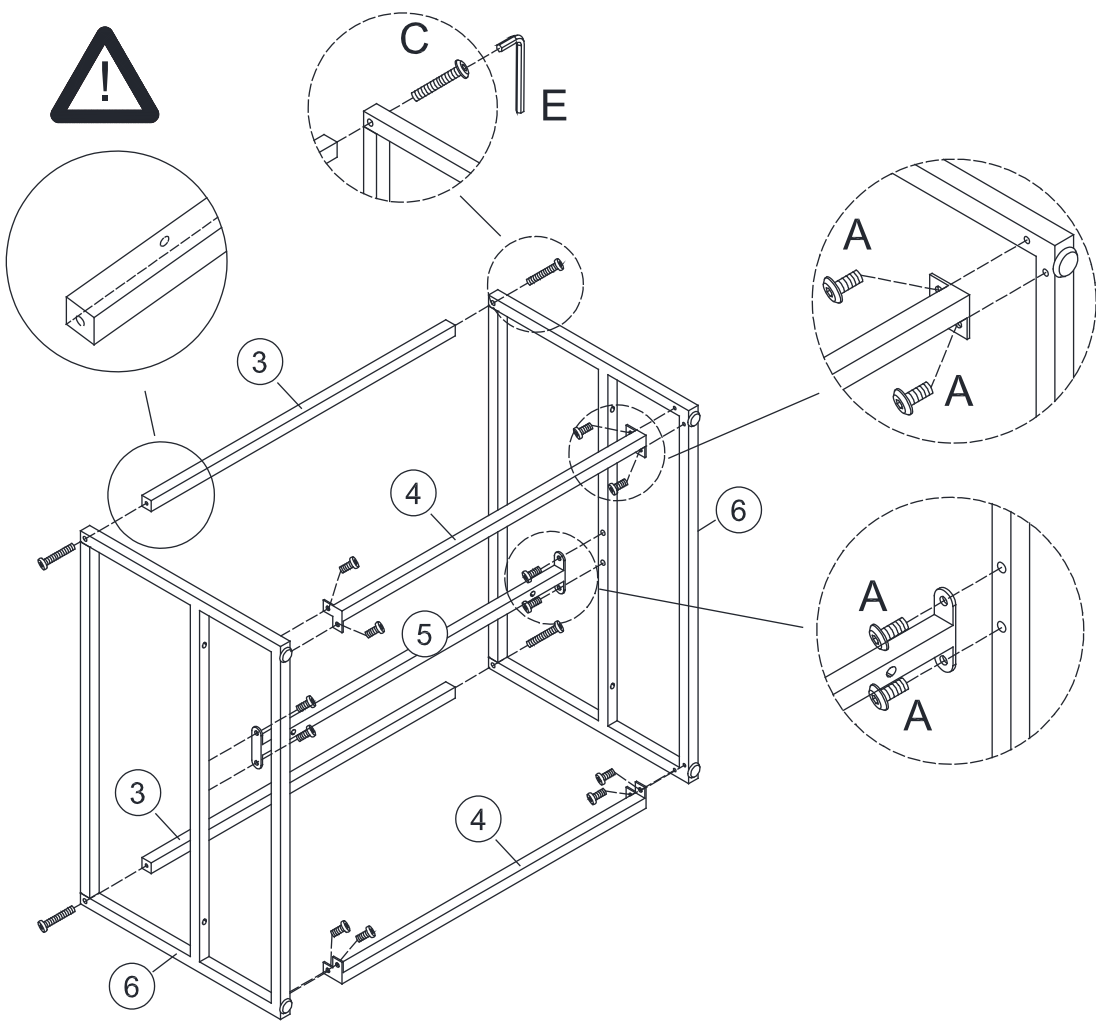
2.

A  M6x12mm
12x

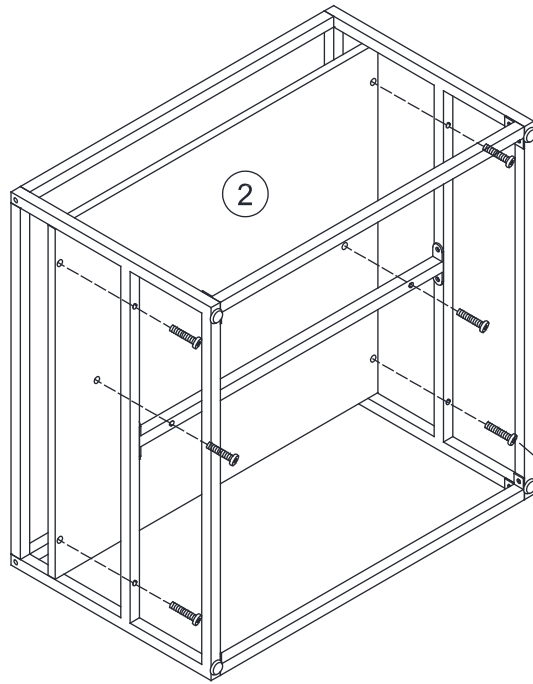
C  M6x40mm
4x




E  4mm
1x

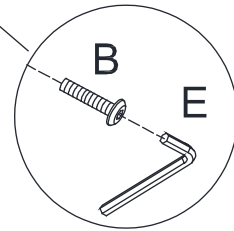
 75%



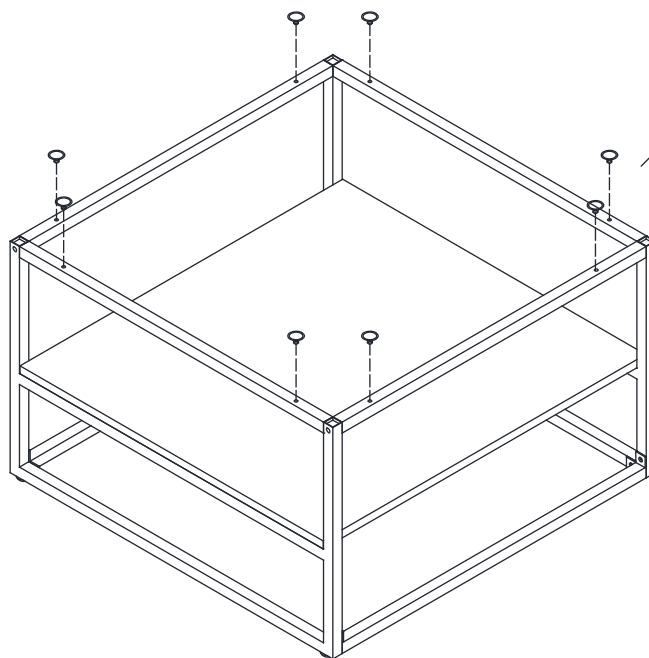
3.



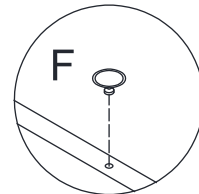
B	 M6x30mm	6x
E	 4mm	1x
		



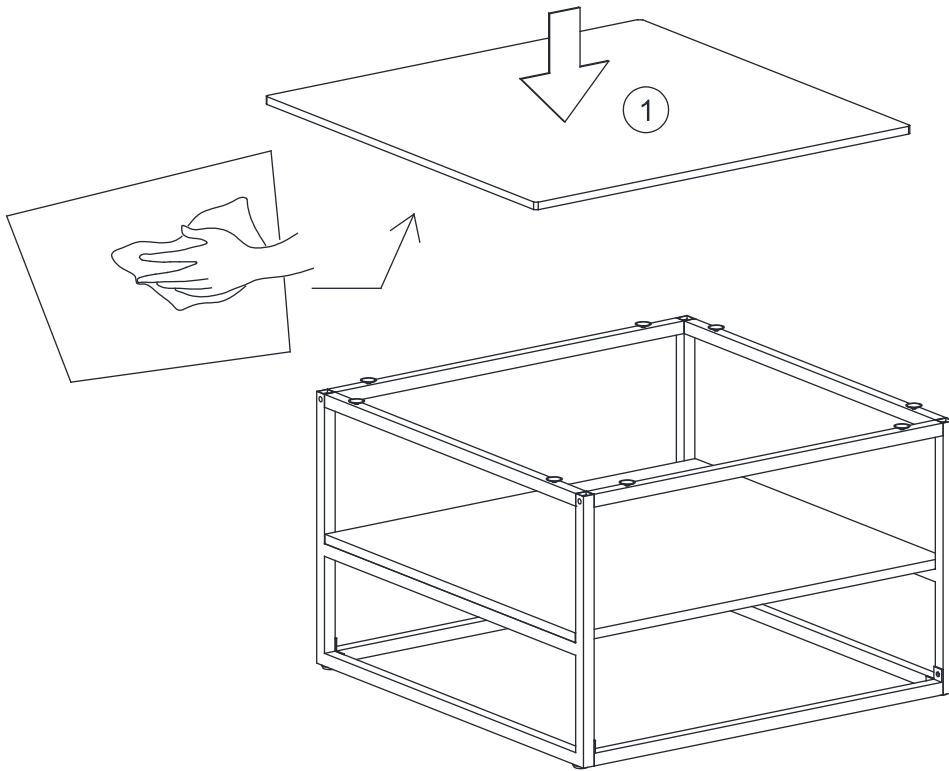
4.



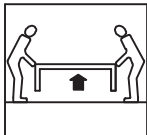
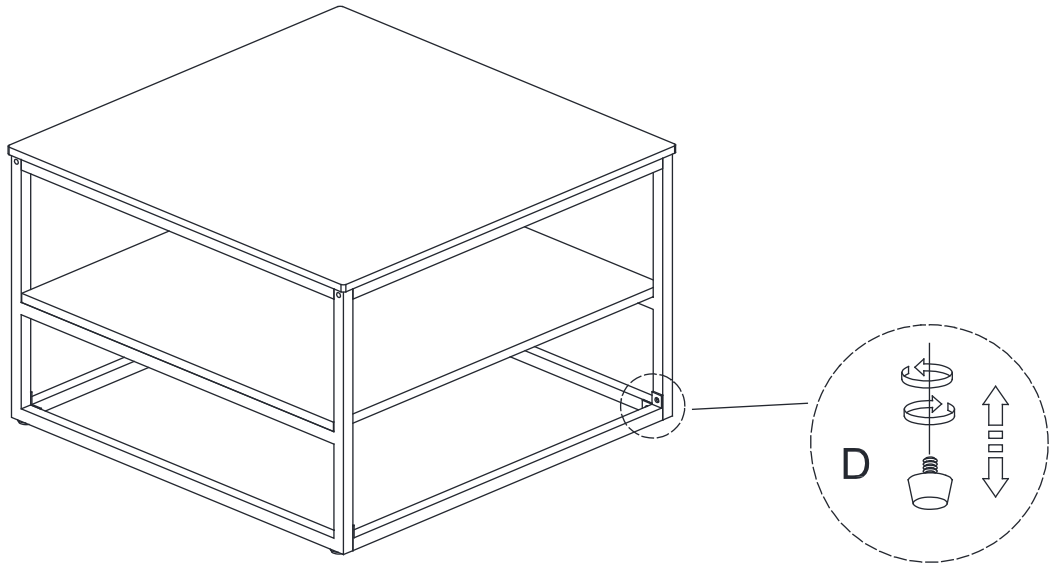
F	 $\varnothing 25\text{mm}$	8x
----------	-----------------------------------------------------------------------------------------------------------------	----



5.



6.



**LE TRI
+ FACILE**

