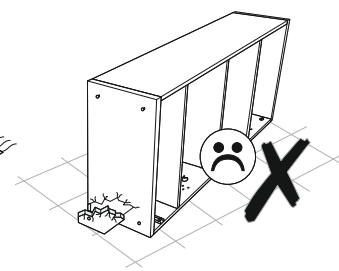
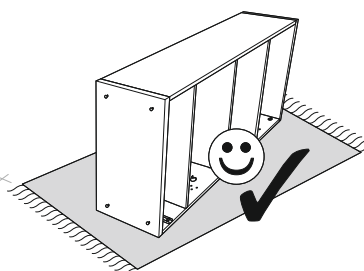
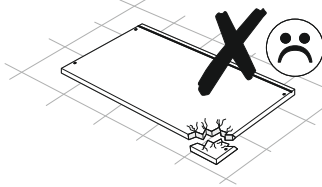
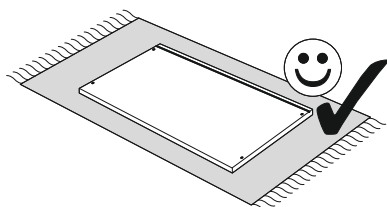
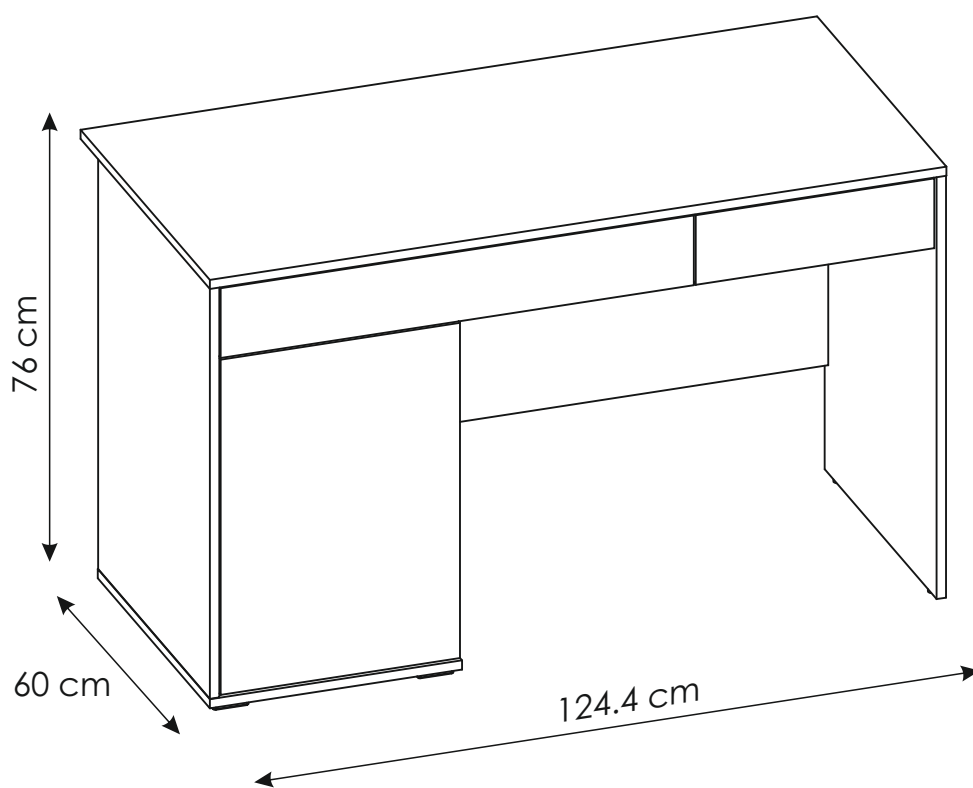
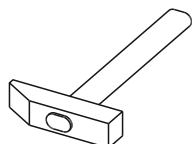
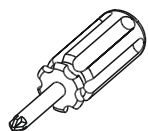
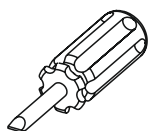
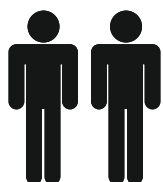
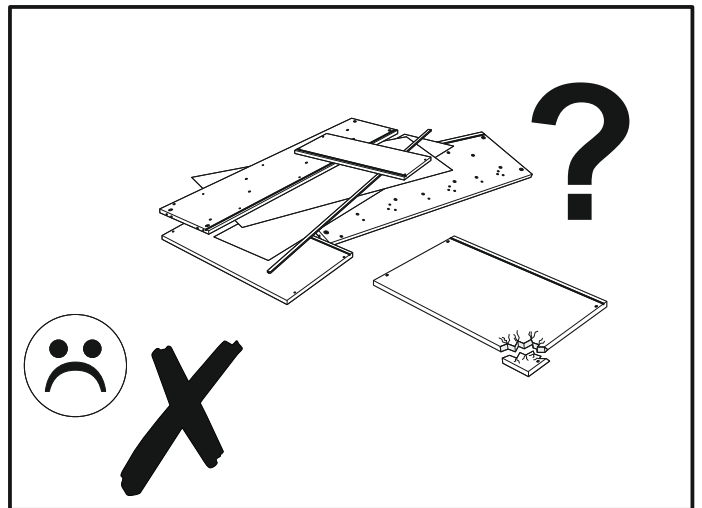
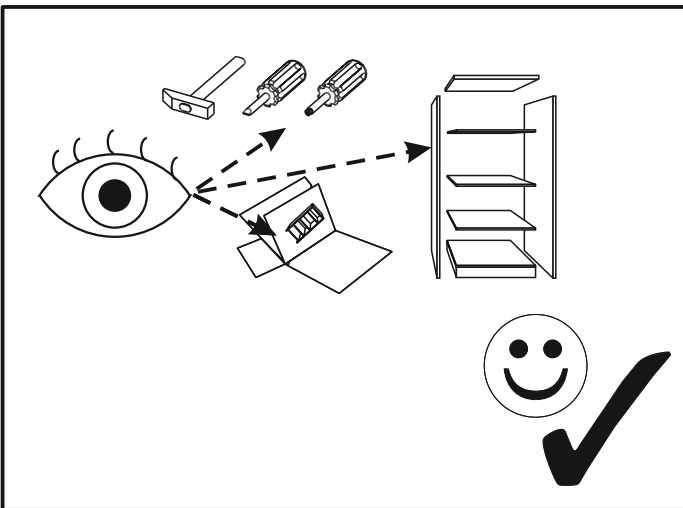
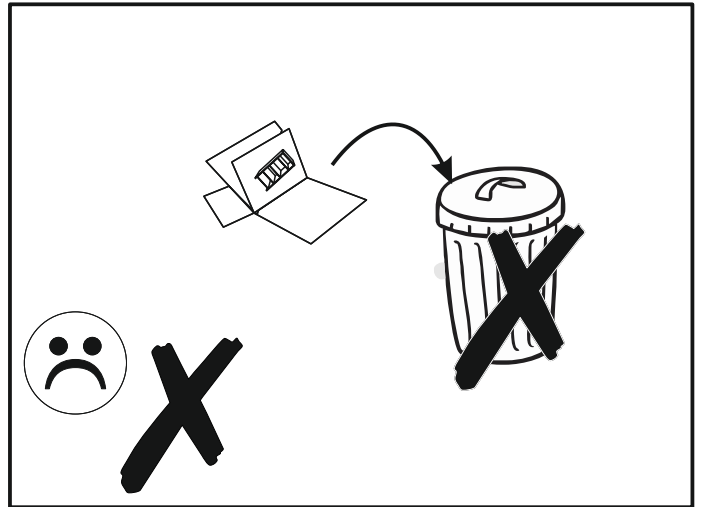
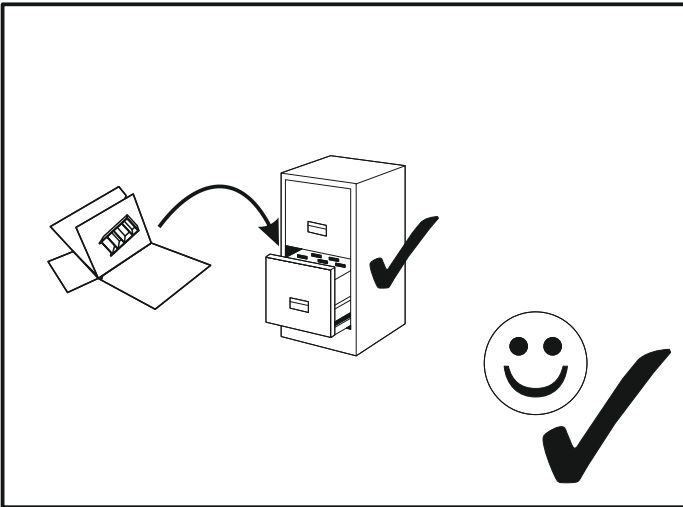
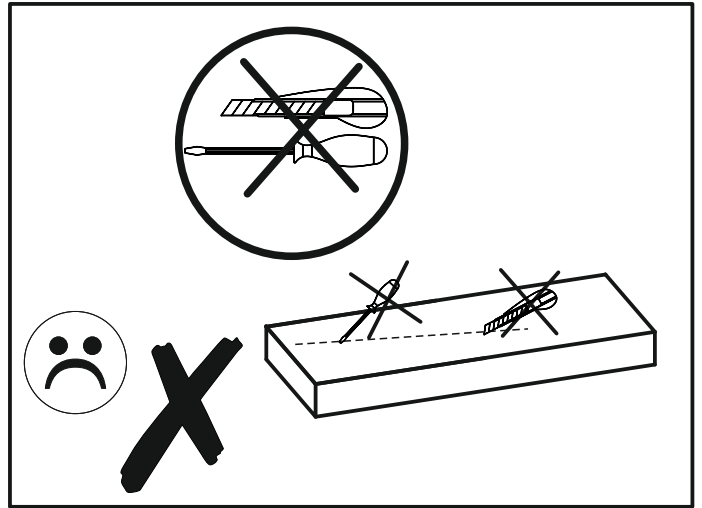


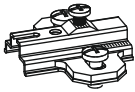
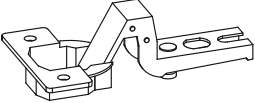
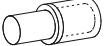
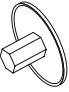

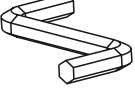

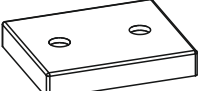
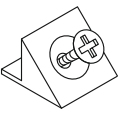
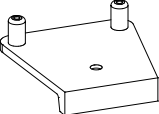

LASB01

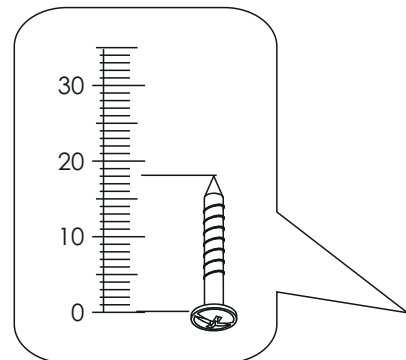




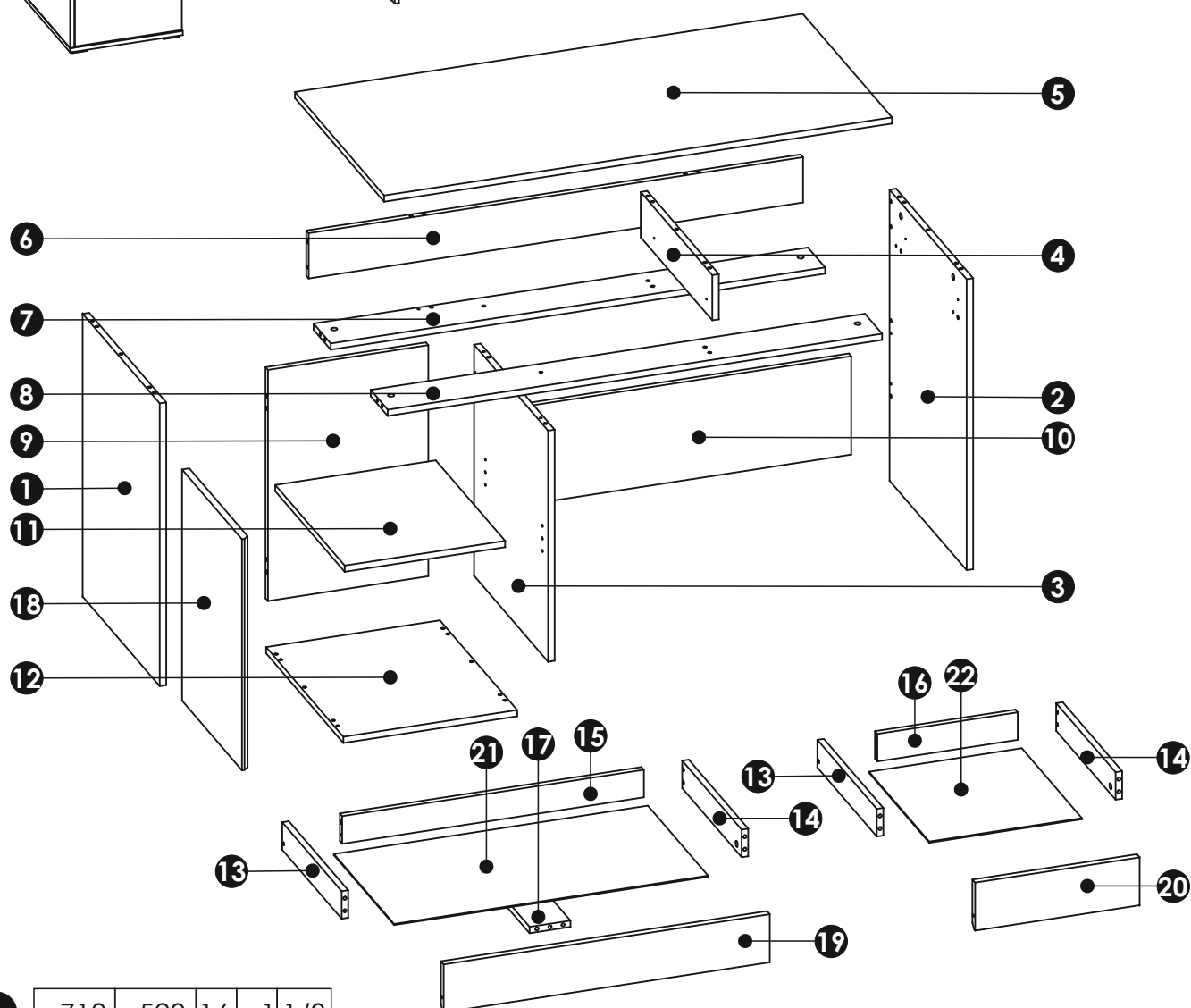
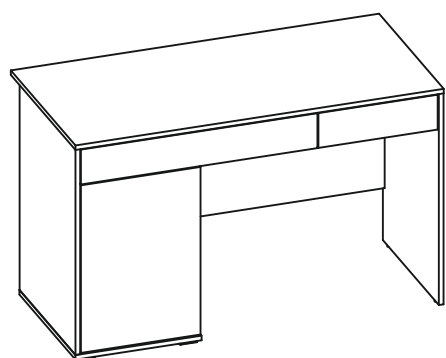
LASB01

MM

A1	8 x 35 mm	x49	B0		x2	B3		x2
C1	4 x 13 mm	x4	C2	5 x 13 mm	x8	D2		x4
E0		x27	E1	15 x 12 mm	x27	F1	6 x 34 mm	x27
G0		x12	G1	7 x 50 mm	x12	I6	3,5 x 40mm	x2
J1	3 x 20 mm	x12	M		x1	N0	3 X 13 mm	x1
N1	3 X 16 mm	x15	N2	3,5 X 16 mm	x8	O2		x2
O15		x4	R4		x1	R5		x1
R8		x3	T4	L-400	x2			



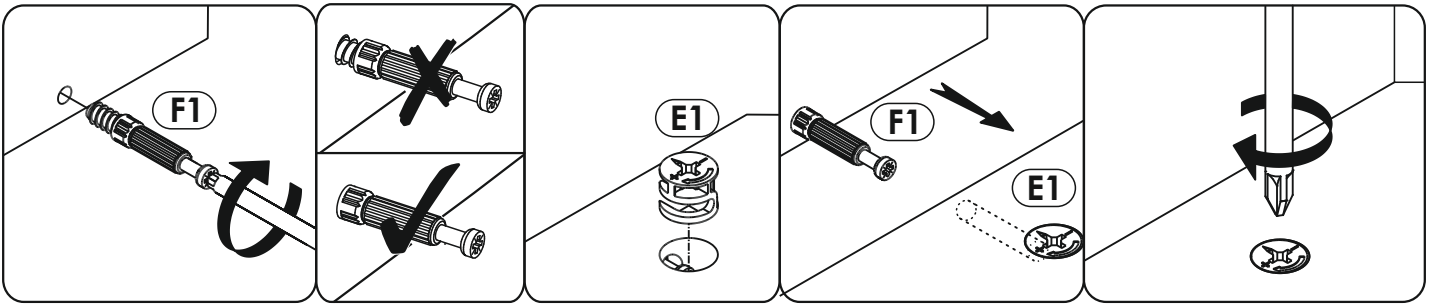
LASB01



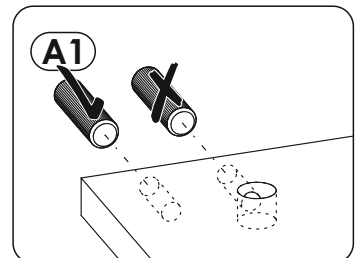
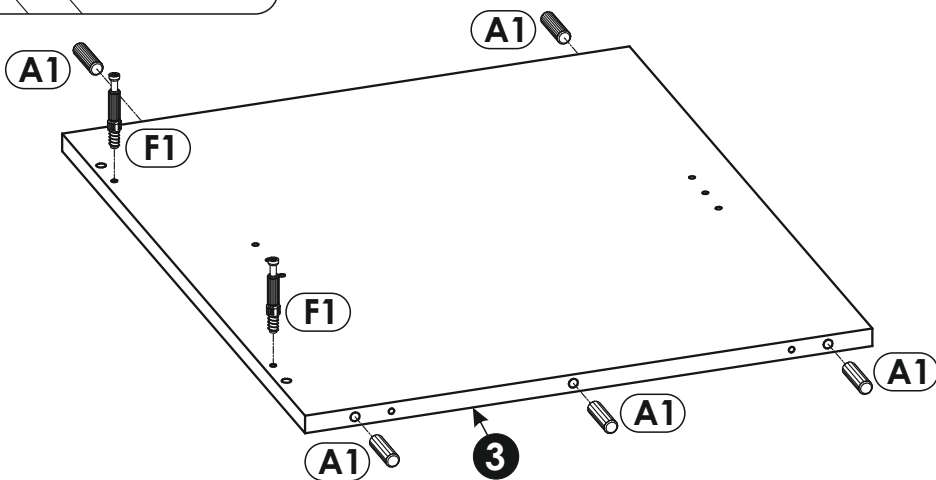
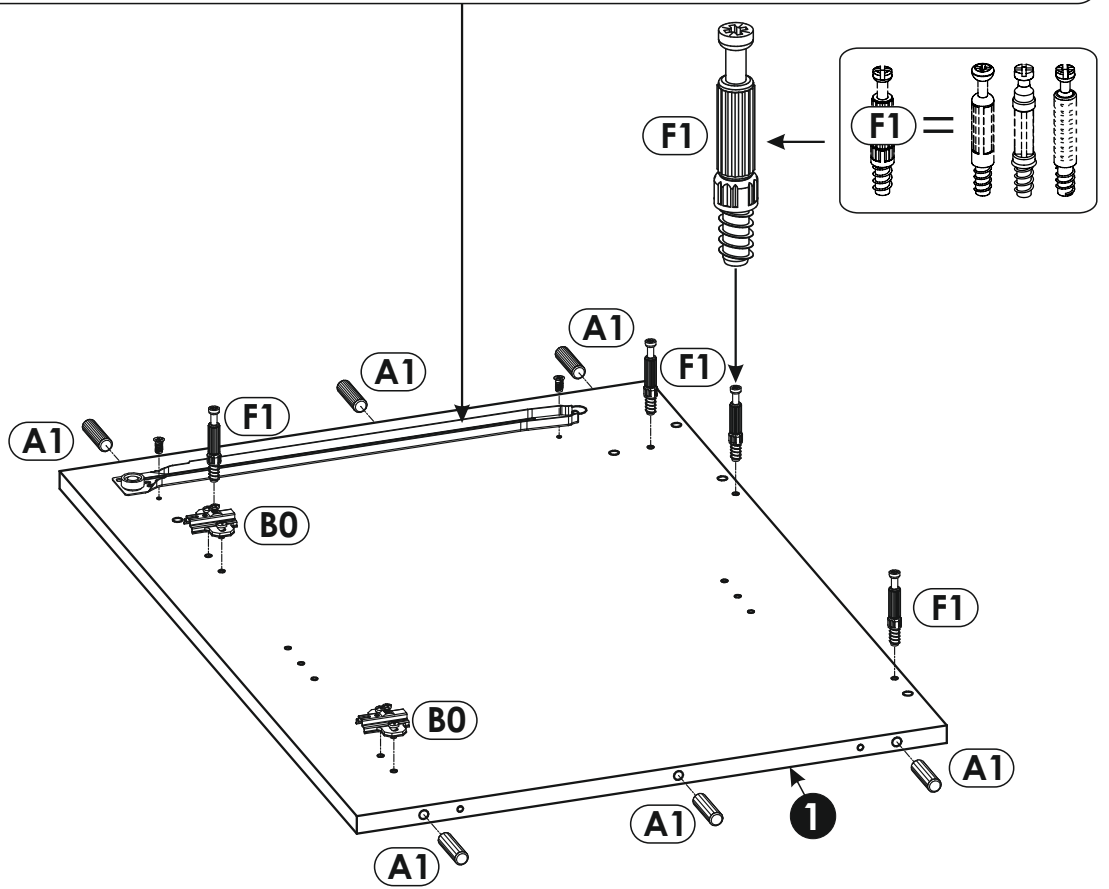
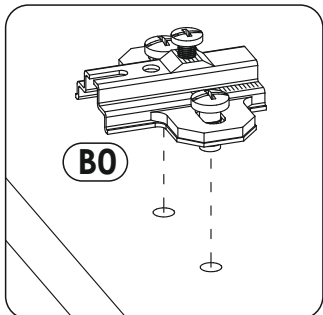
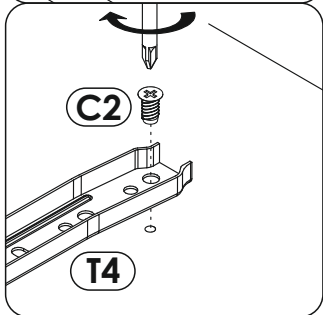
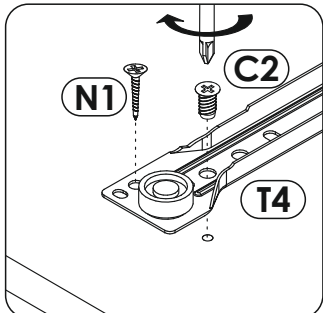
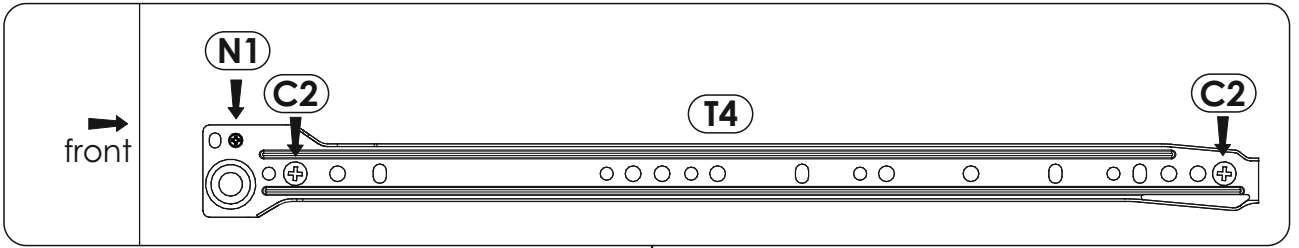
1	718	520	16	x1	1/3
2	739	520	16	x1	1/3
3	587	499	16	x1	1/3
4	482	115	16	x1	1/3
5	1244	601	16	x1	2/3
6	1211	115	16	x1	2/3
7	1211	115	16	x1	2/3
8	1211	115	16	x1	2/3

9	587	393	16	x1	1/3
10	802	250	16	x1	2/3
11	393	468	16	x1	1/3
12	426	521	16	x1	1/3
13	400	70	16	x2	2/3
14	400	70	16	x2	2/3
15	738	70	16	x1	2/3

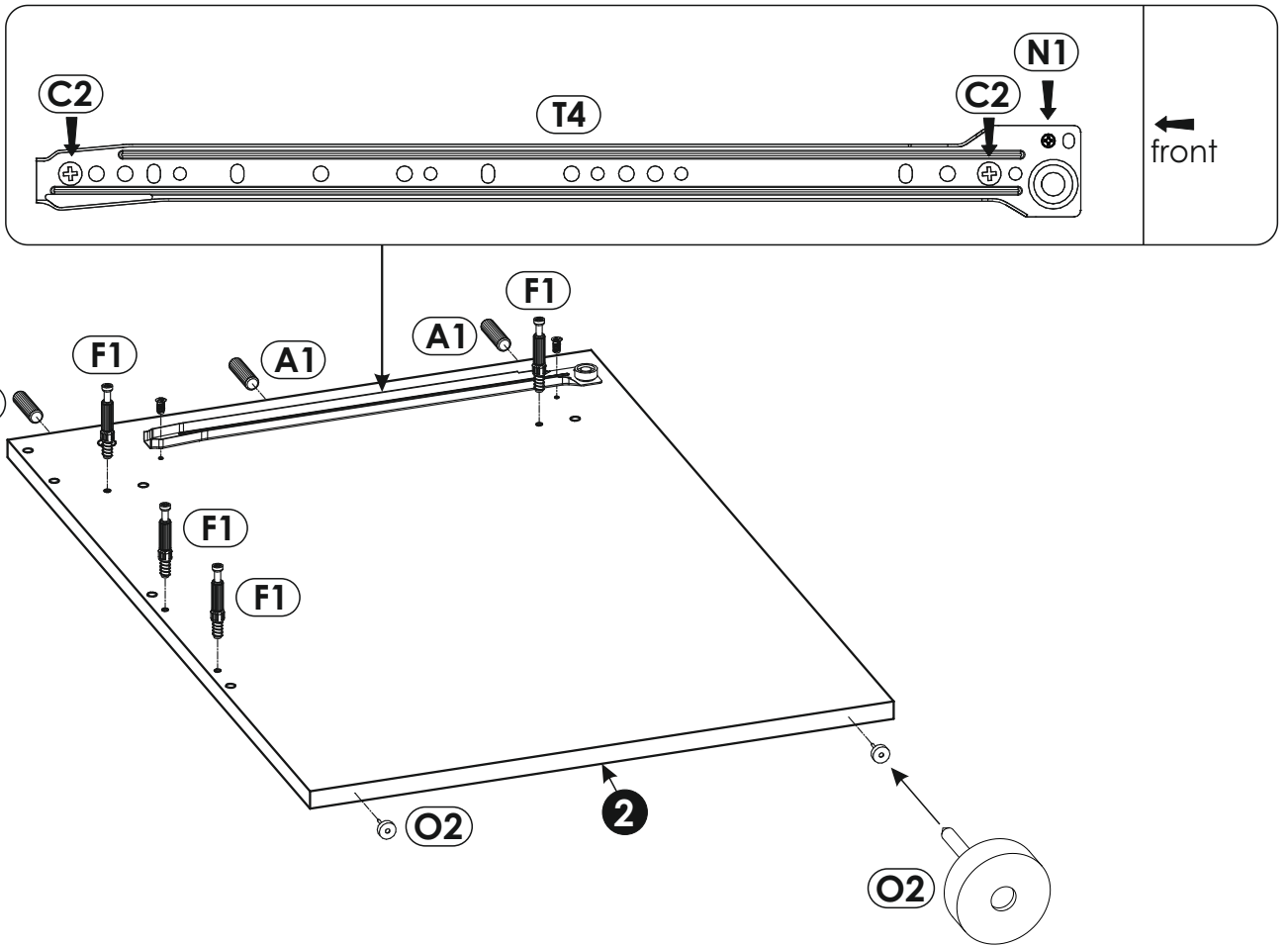
16	345	70	16	x1	2/3
17	400	100	16	x1	1/3
18	587	404	18	x1	2/3
19	798	122	18	x1	3/3
20	404	122	18	x1	2/3
21	768	405	3	x1	2/3
22	375	405	3	x1	2/3



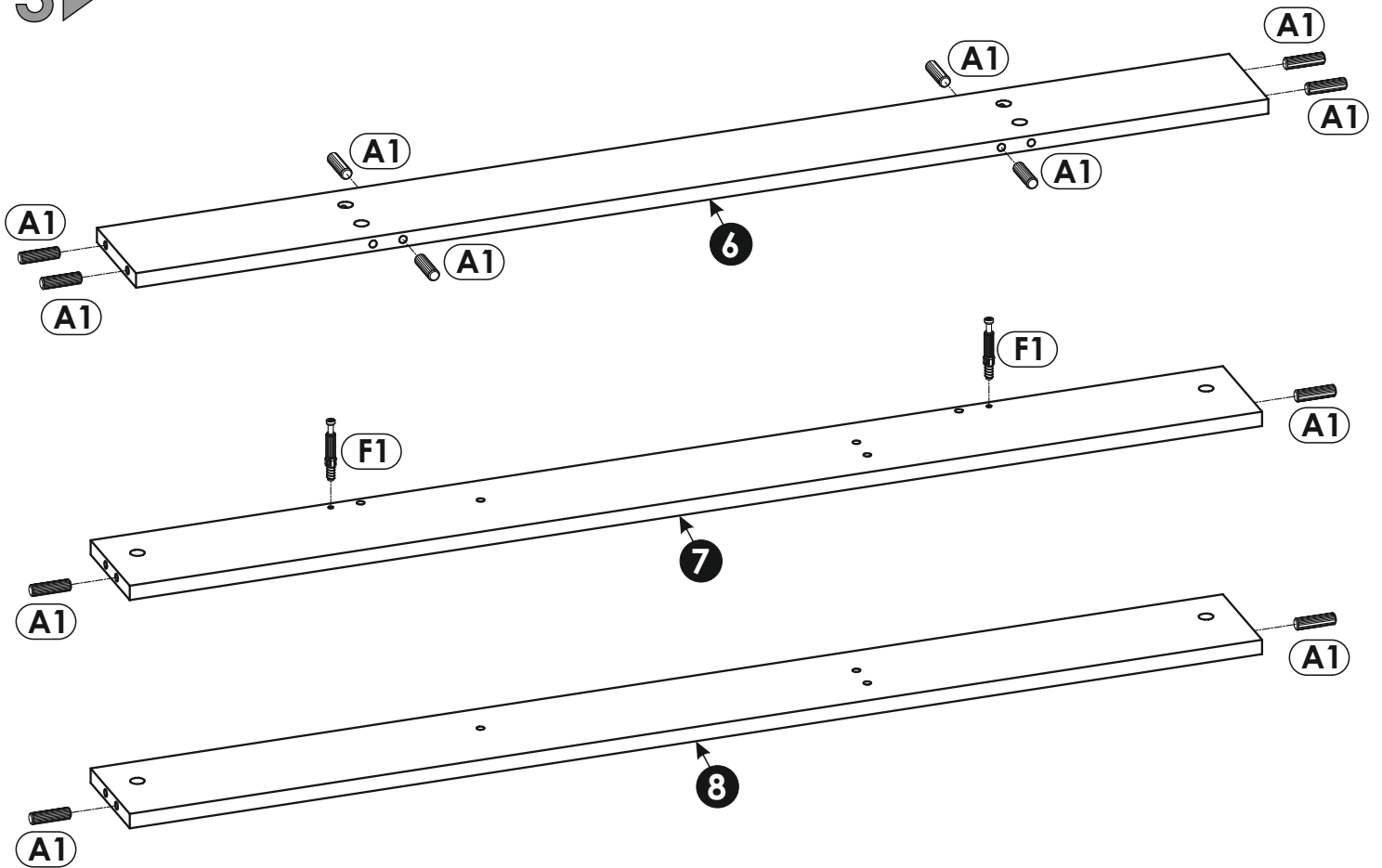
1 ▶



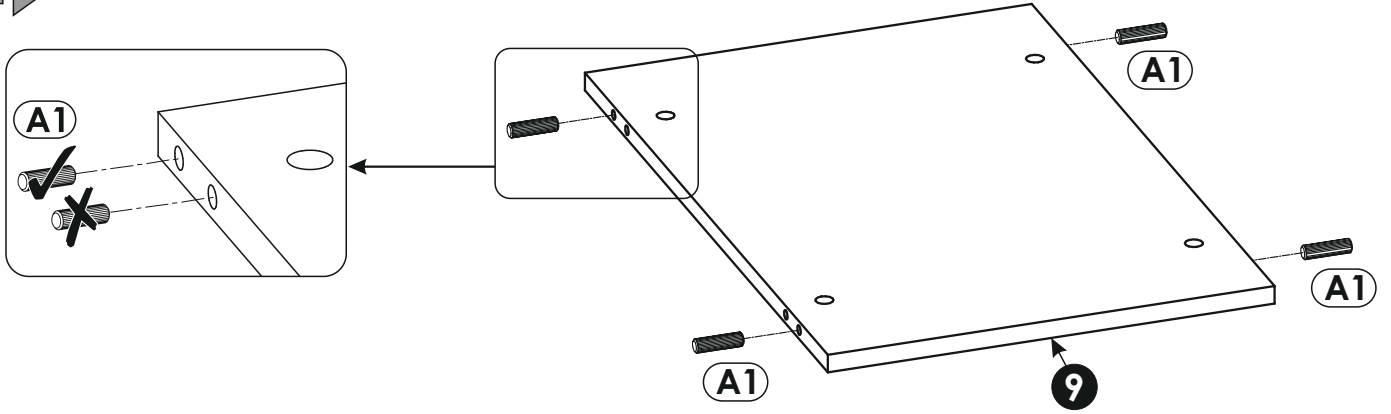
2 ▶



3 ▶



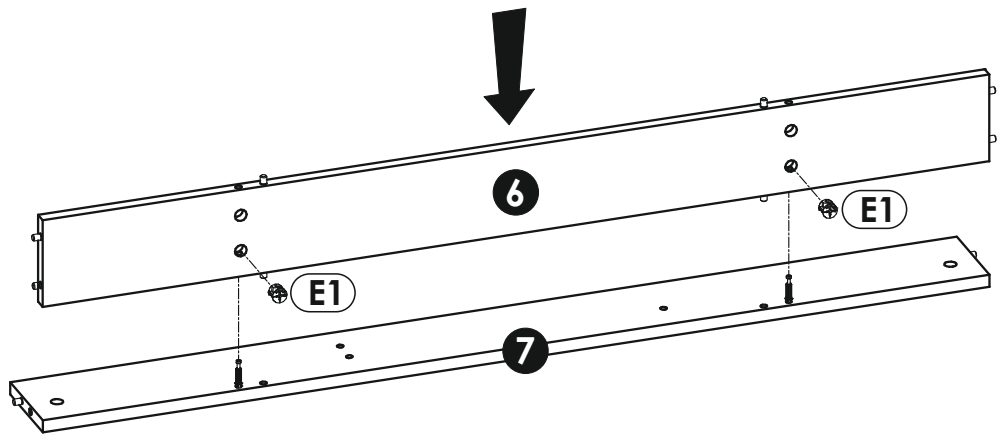
4 ▶



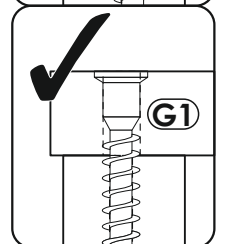
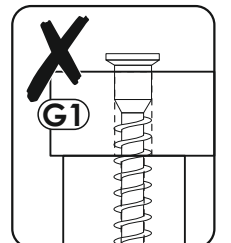
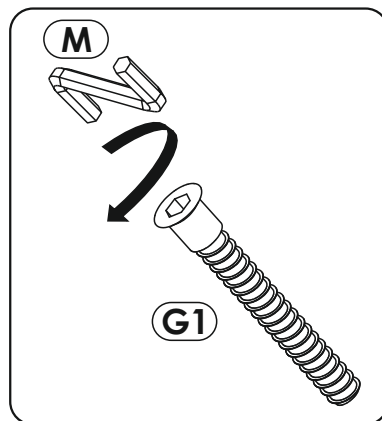
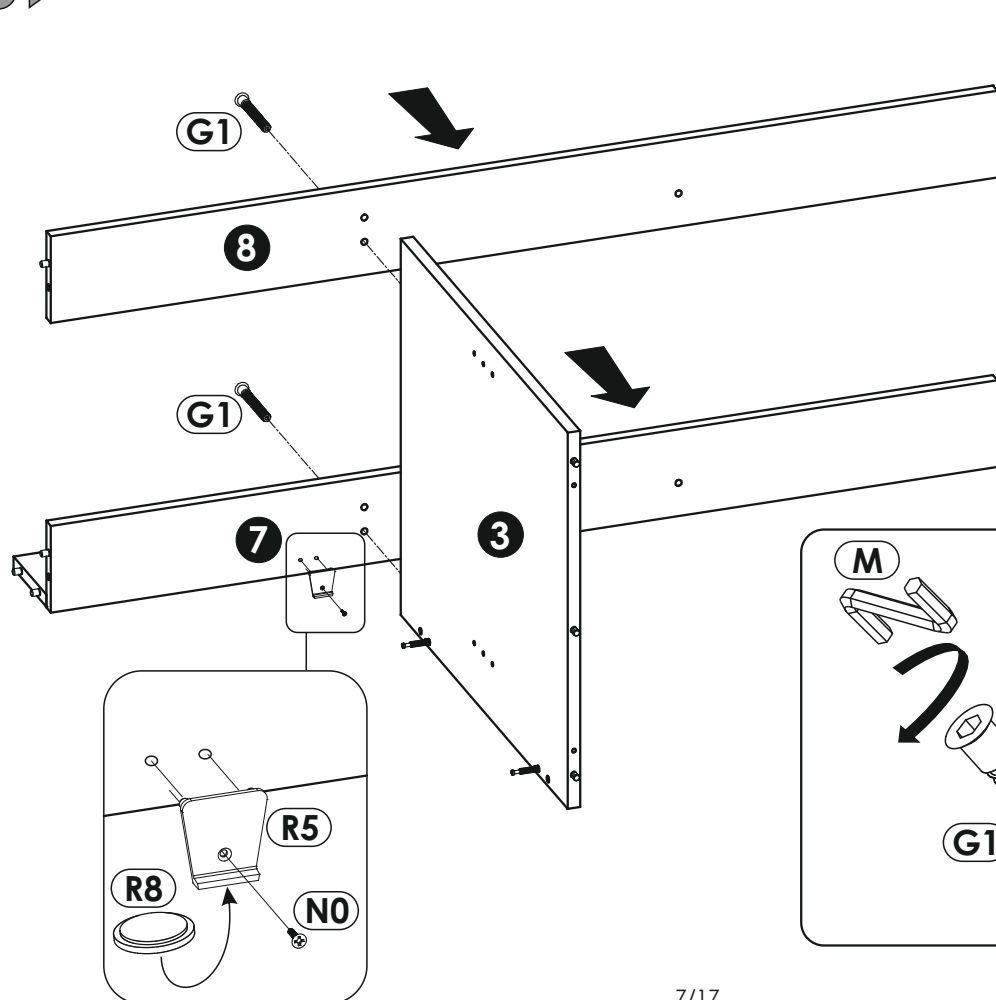
5 ▶



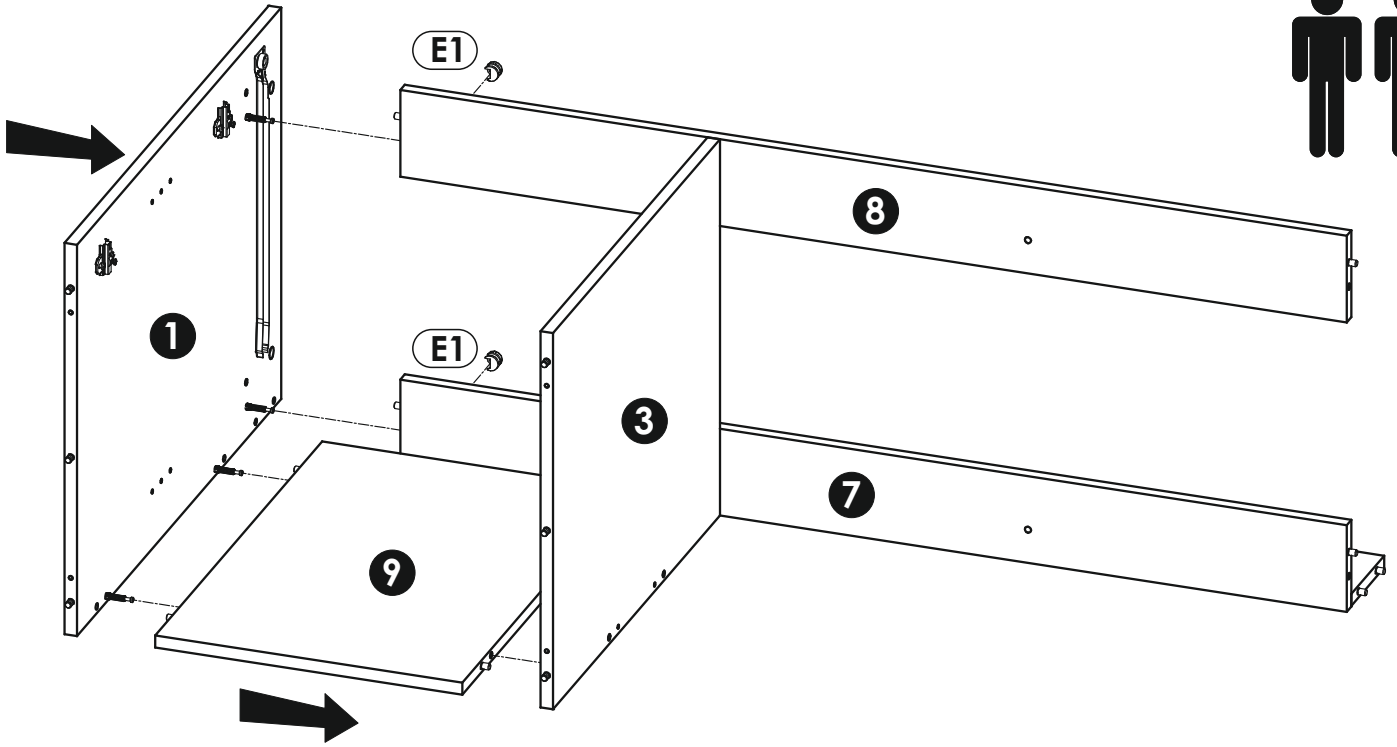
5/17



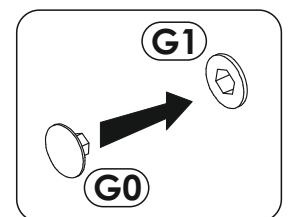
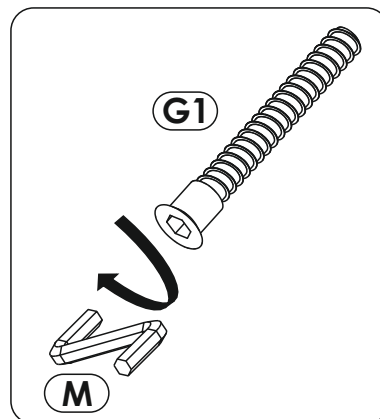
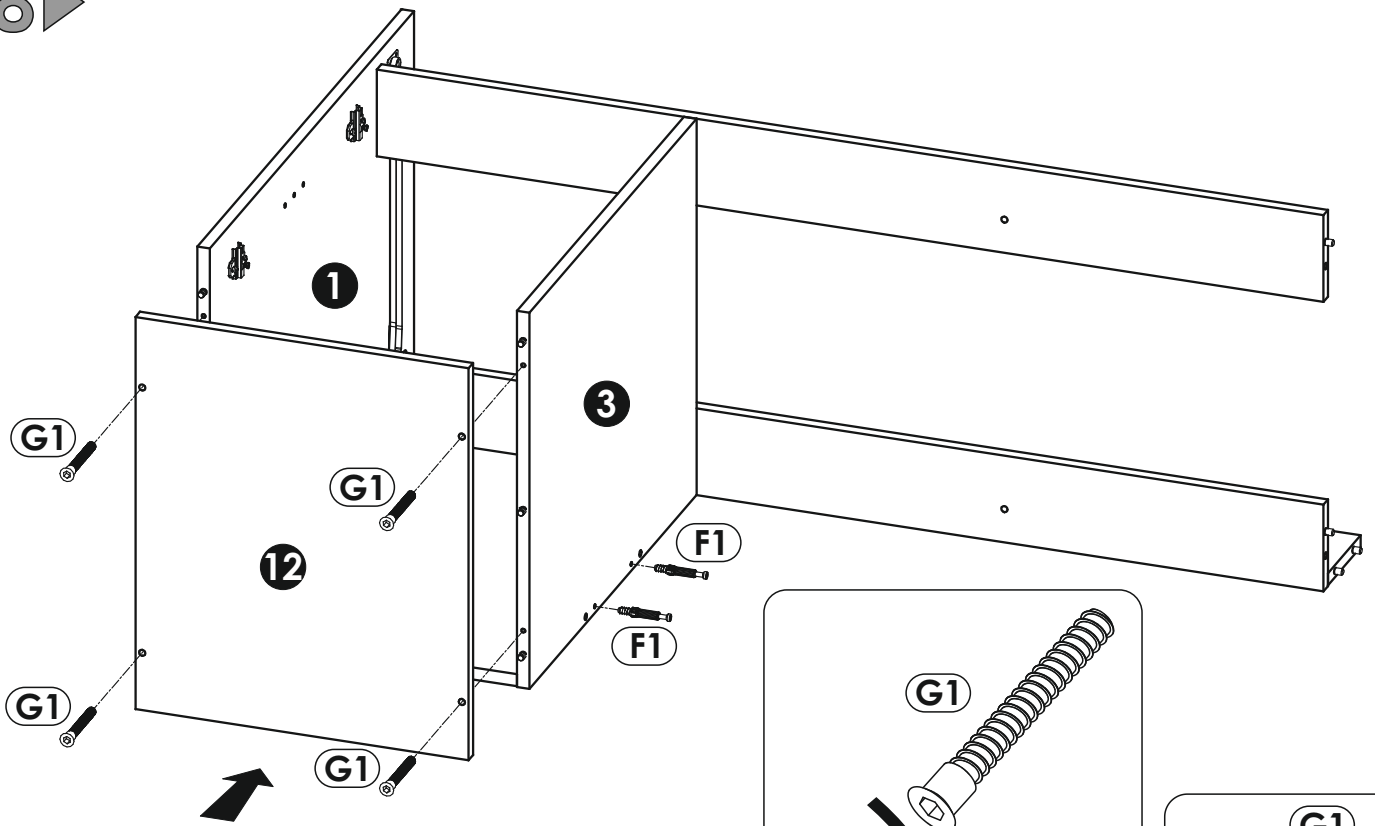
6 ▶



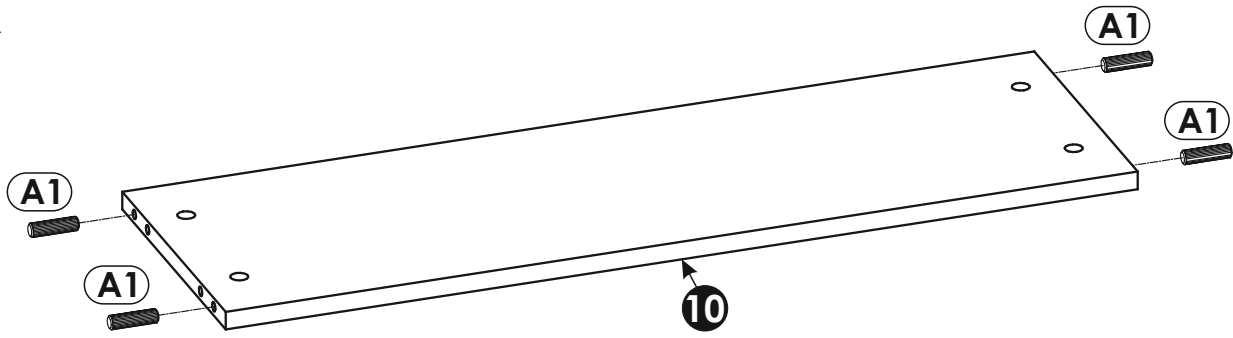
7 ▶



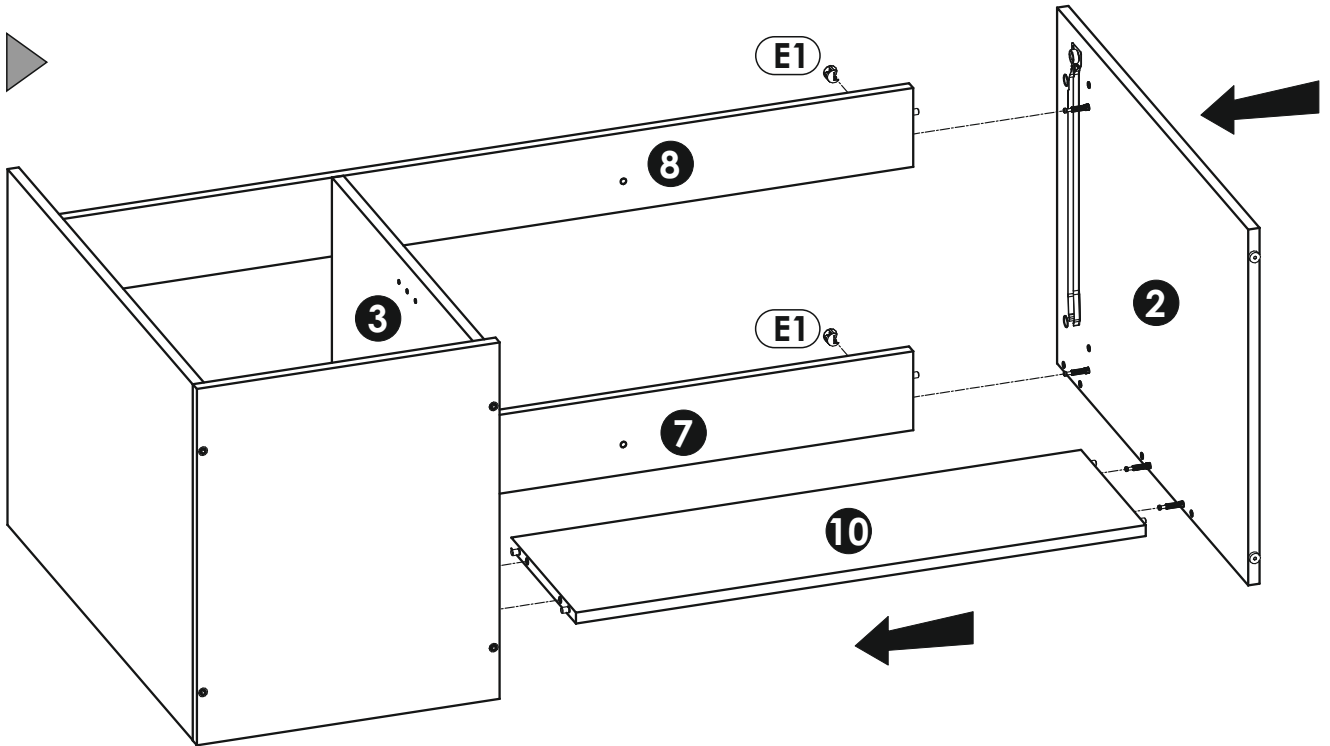
8 ▶



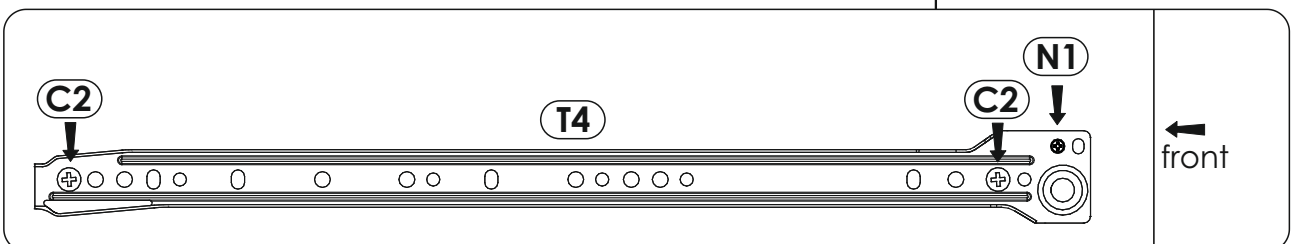
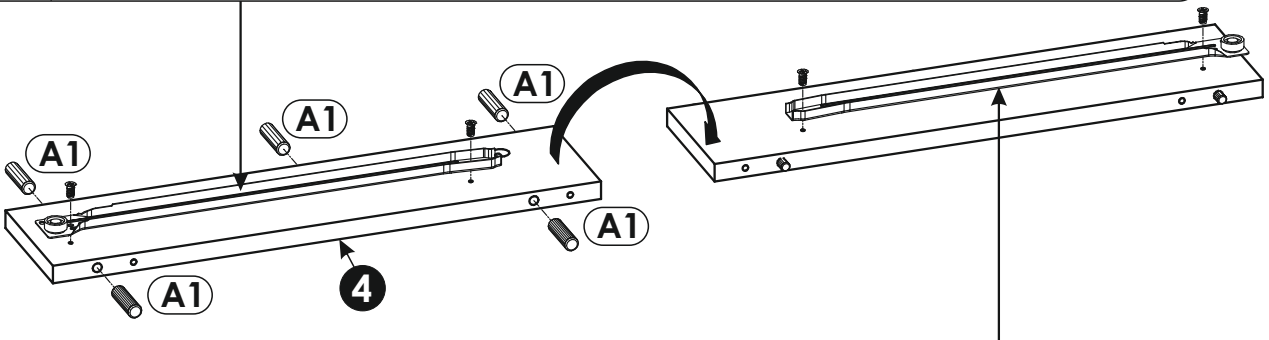
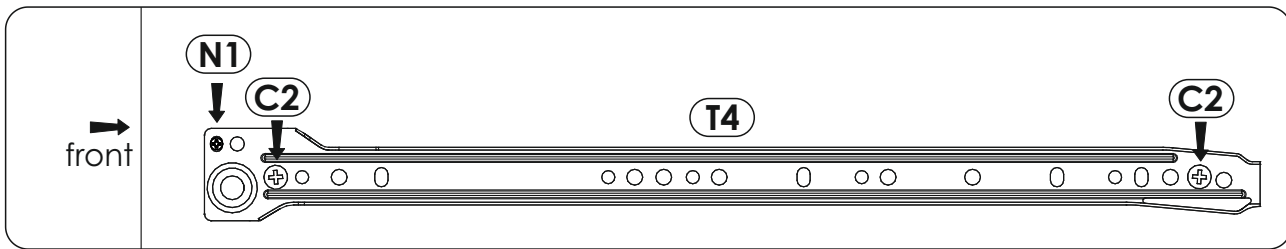
9 ▶



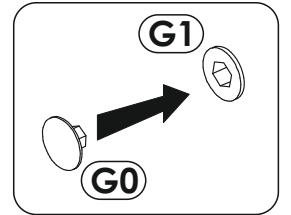
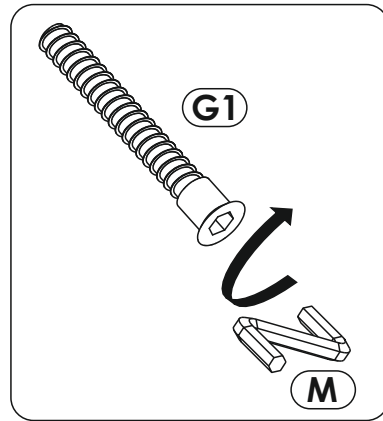
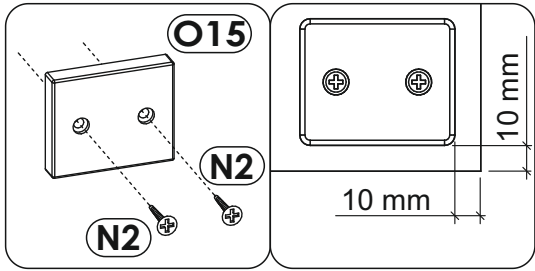
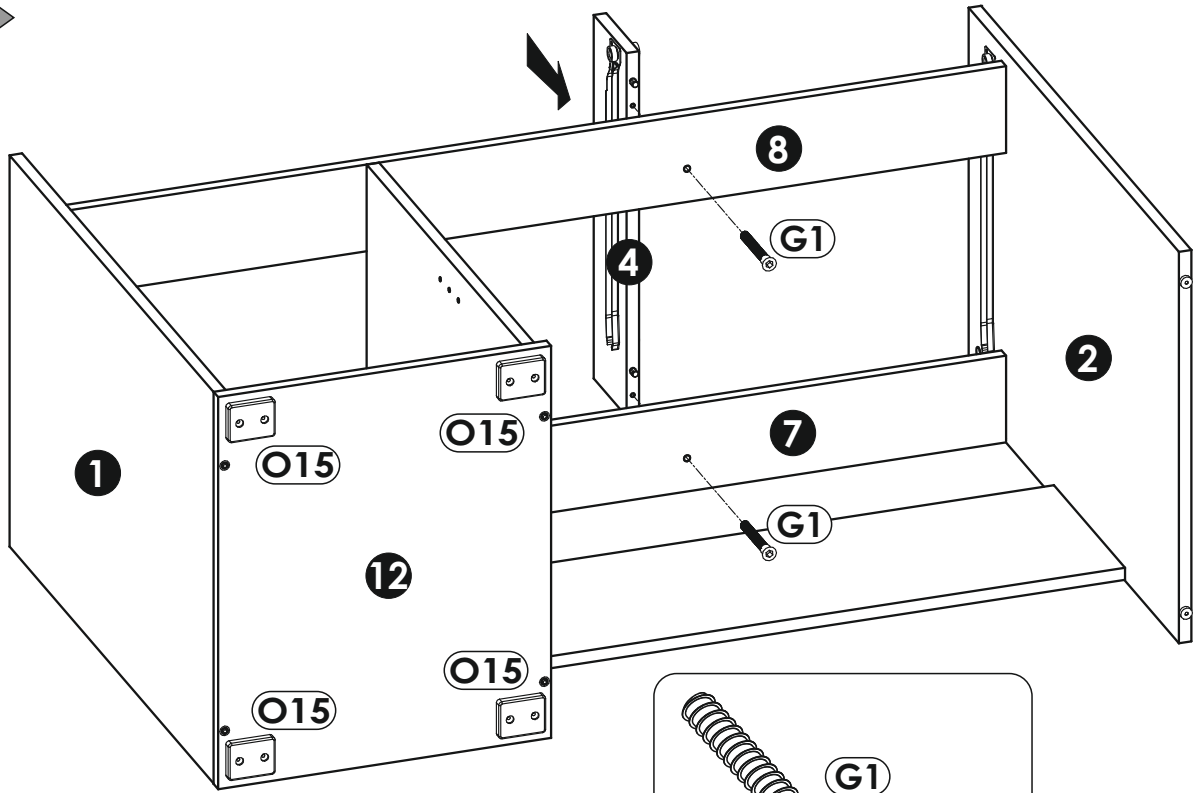
10 ▶



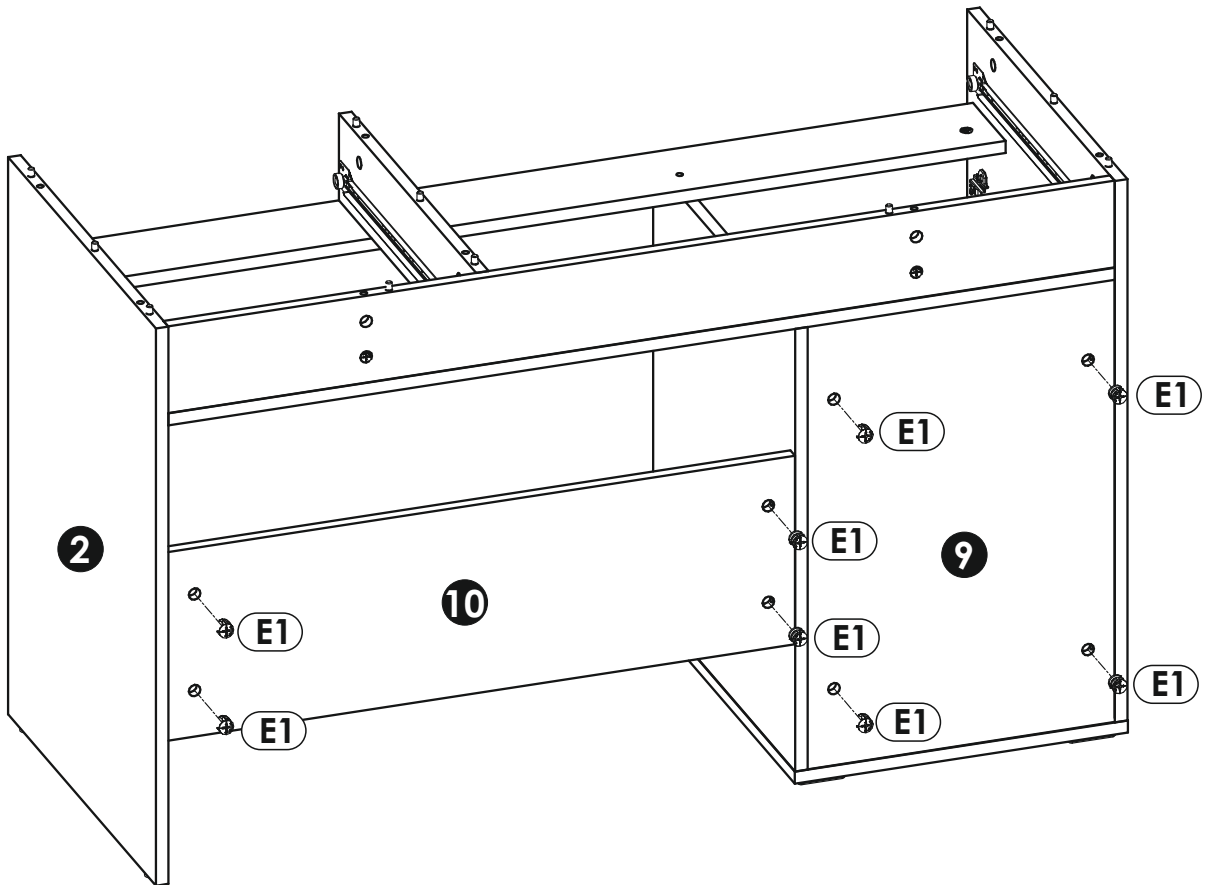
11 ▶



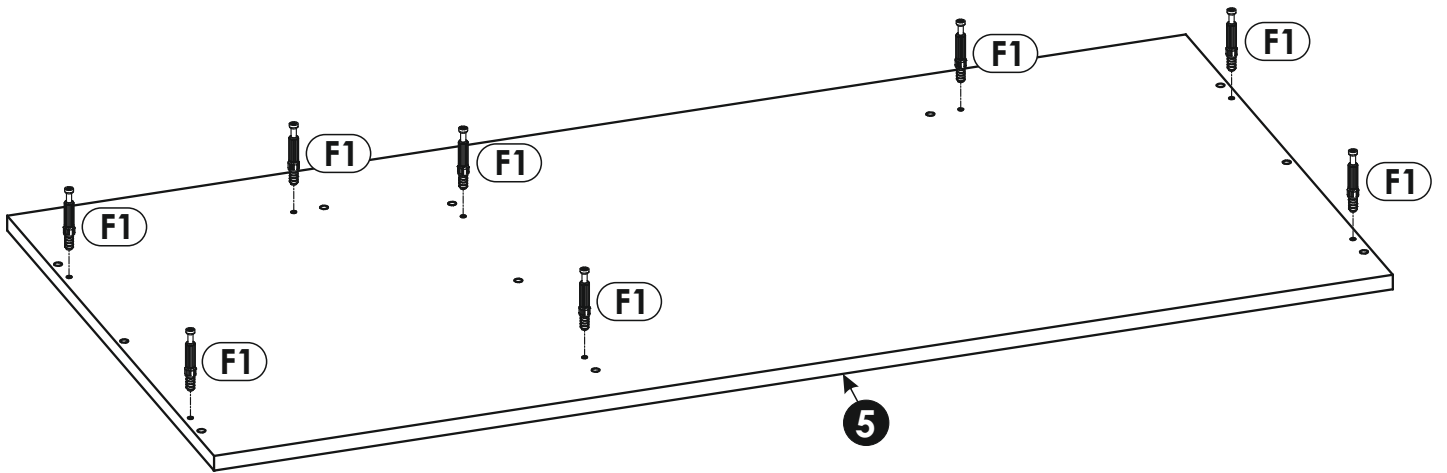
12▶



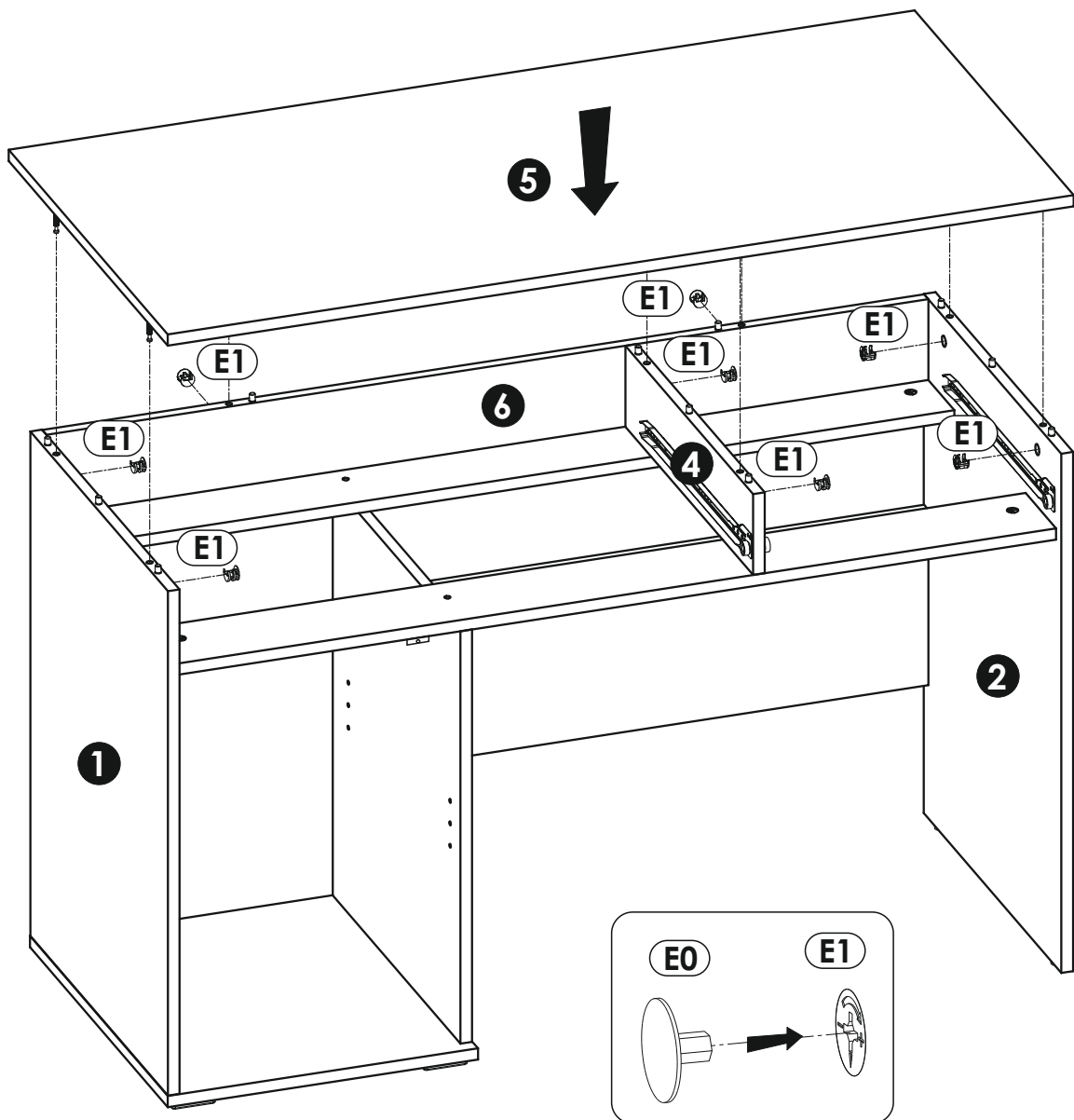
13▶



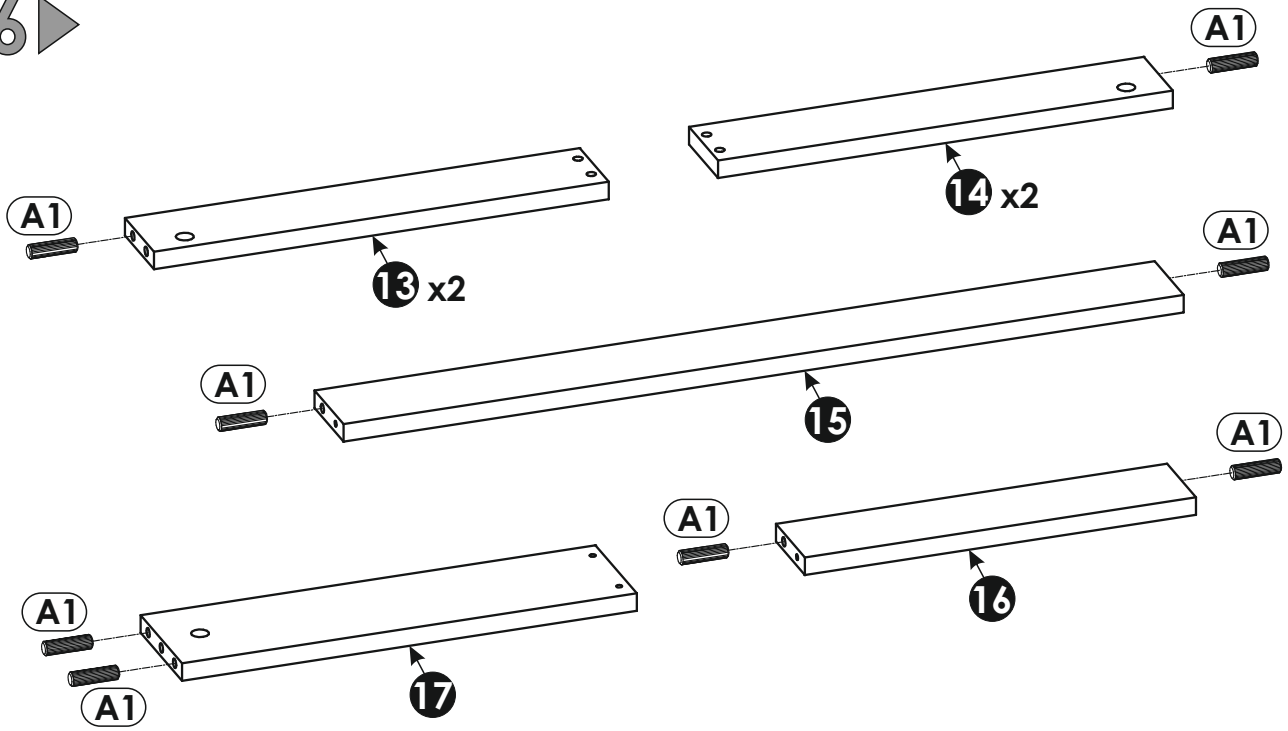
14▶



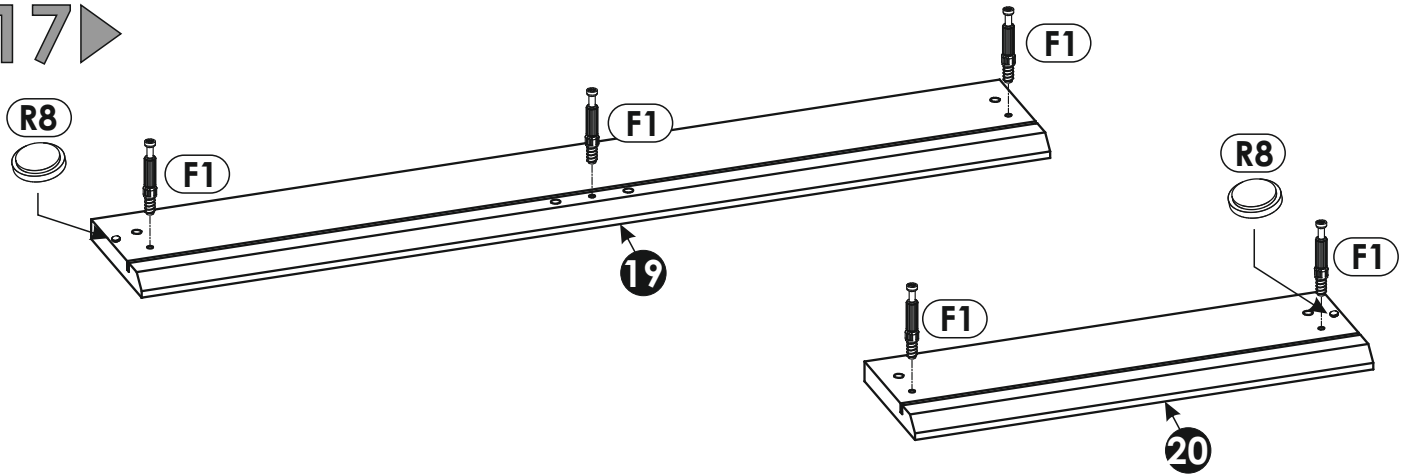
15▶



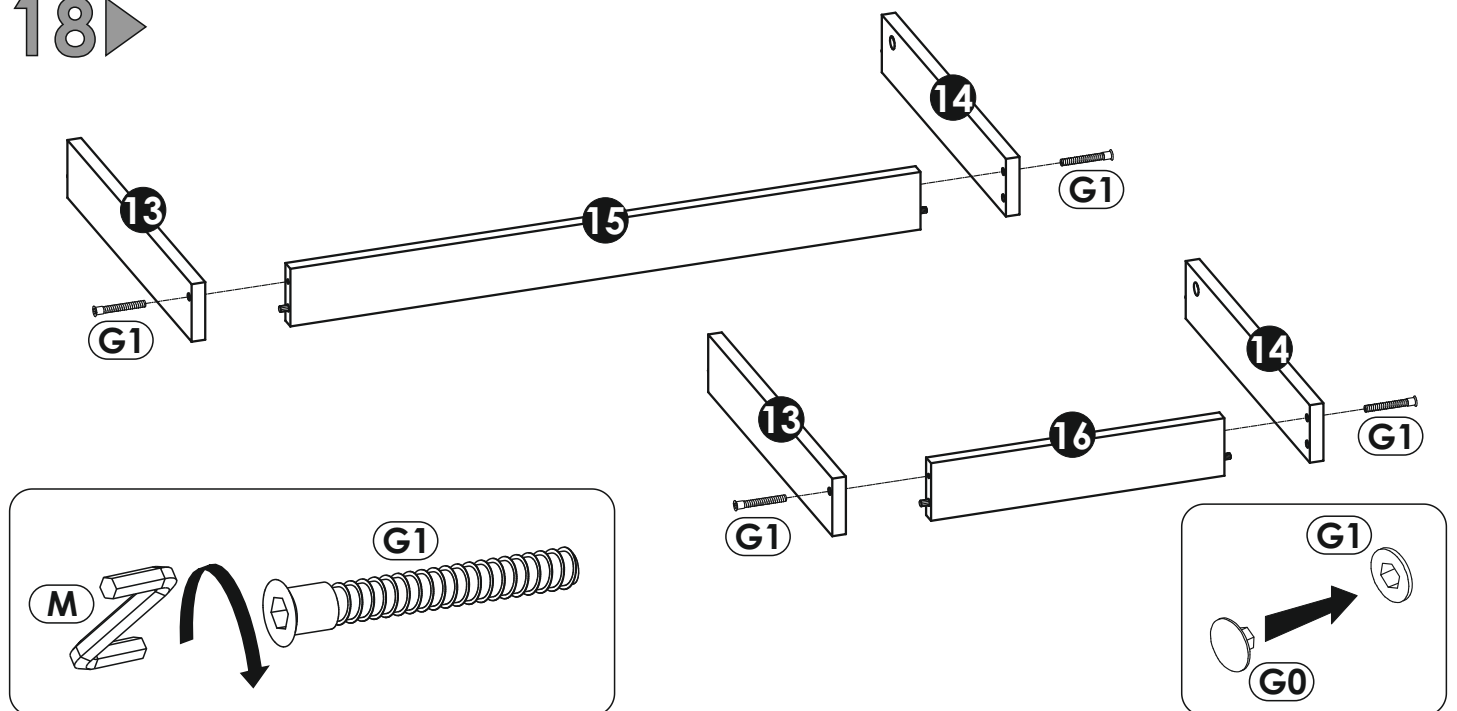
16▶



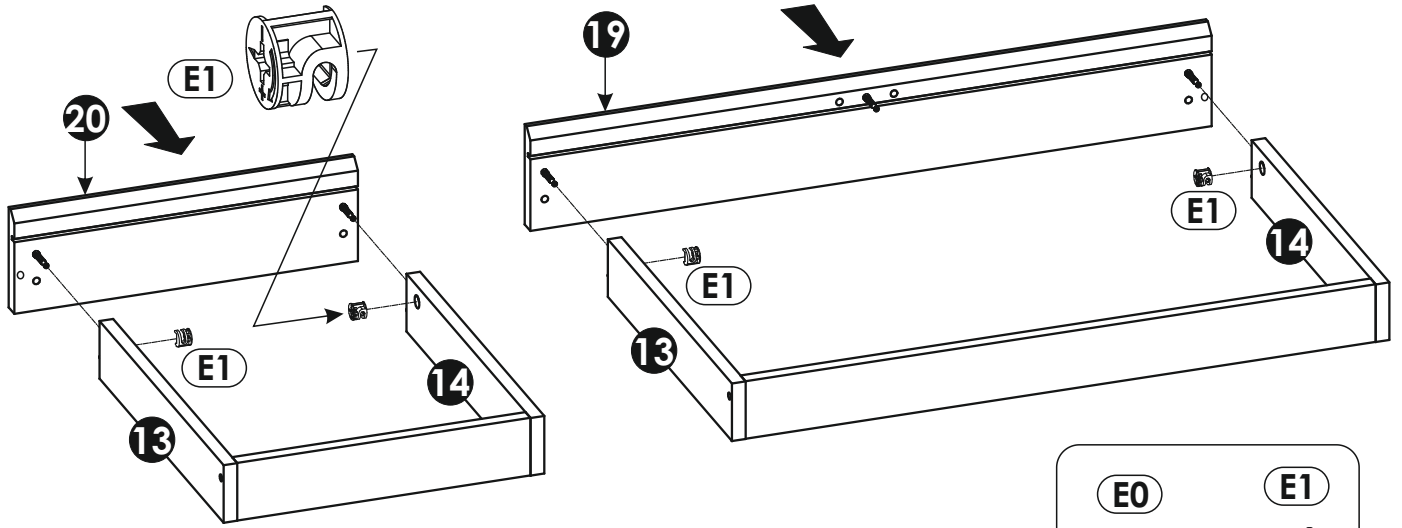
17▶



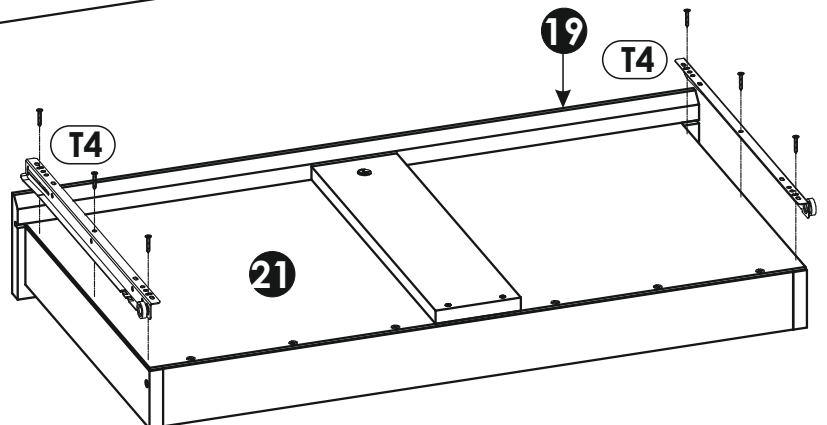
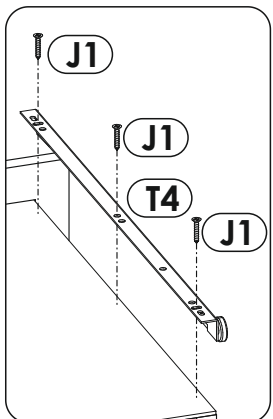
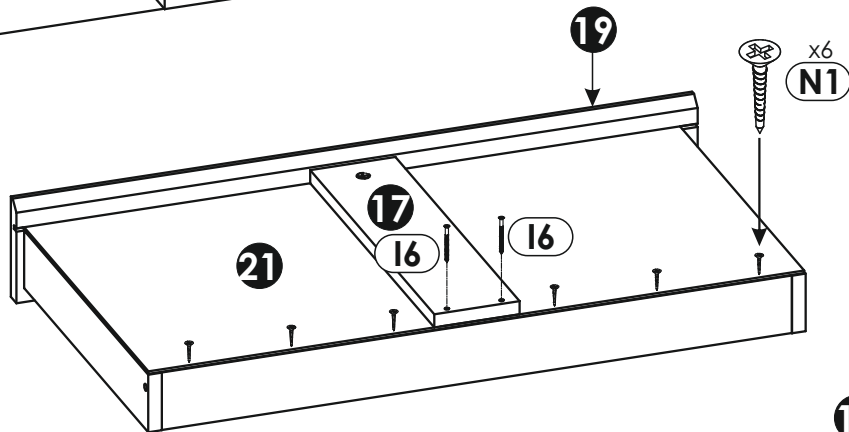
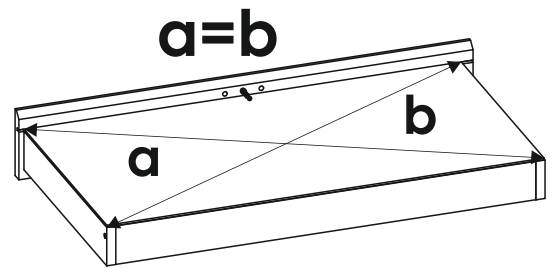
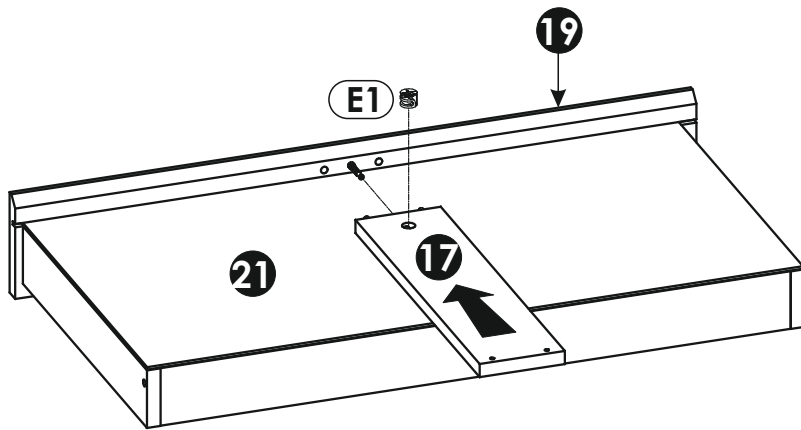
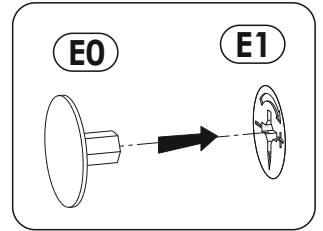
18▶



19▶

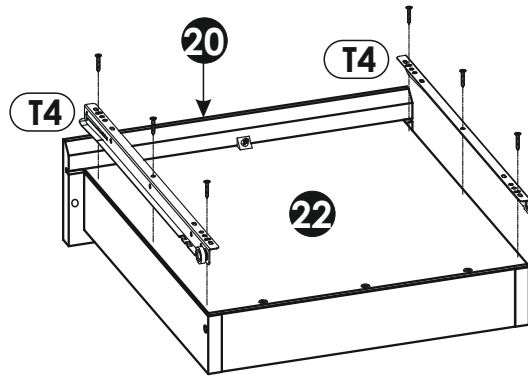
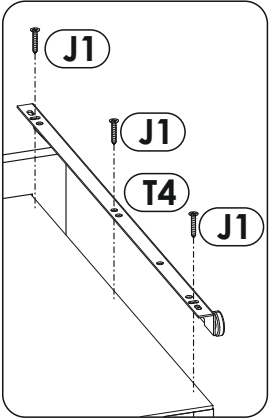
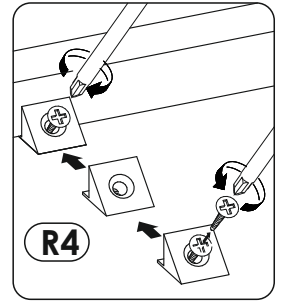
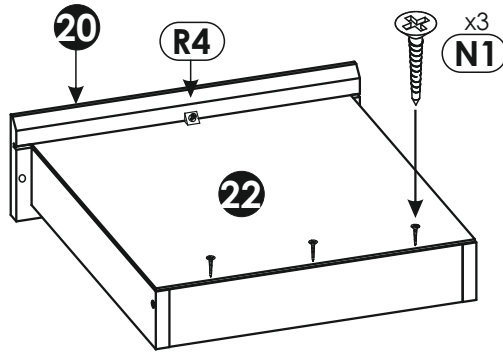
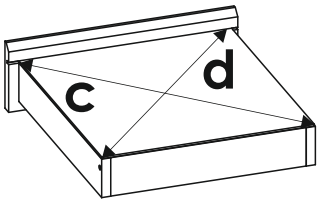


20▶

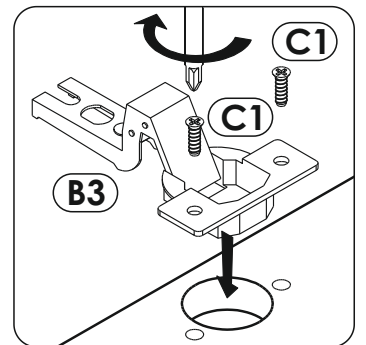
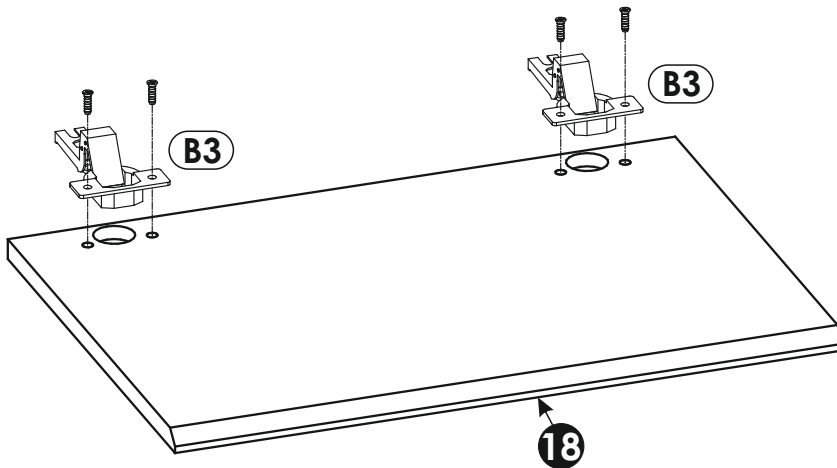


21▶

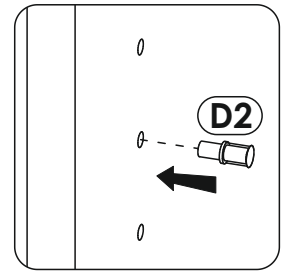
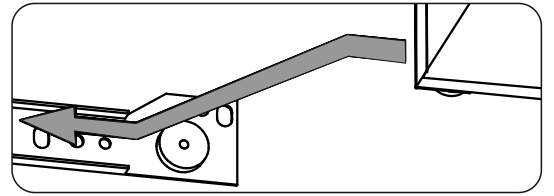
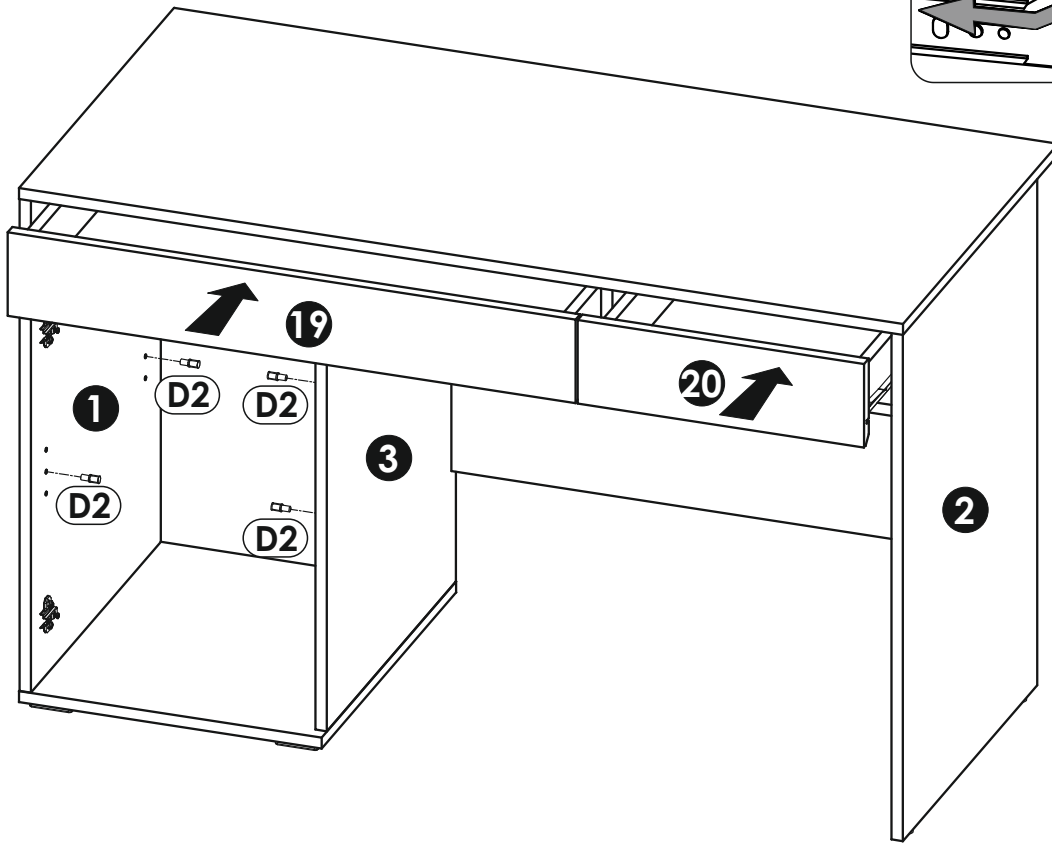
c=d



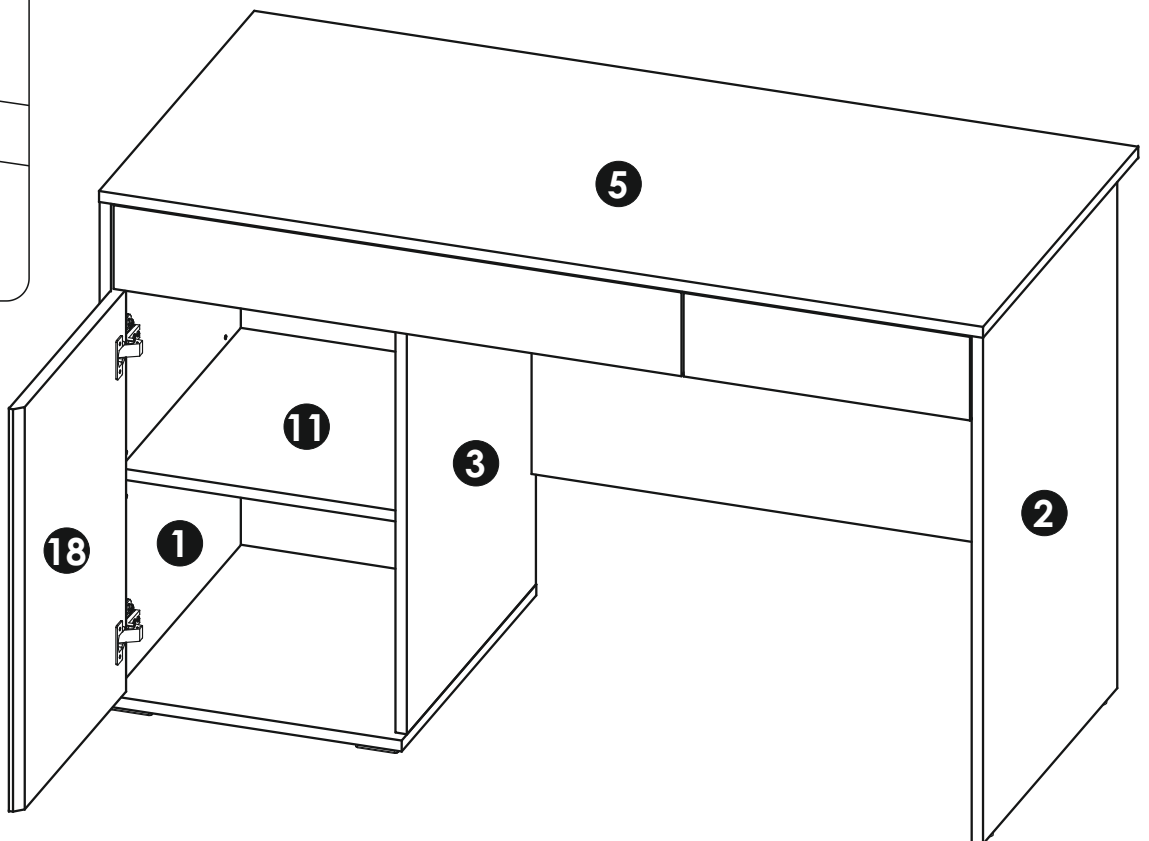
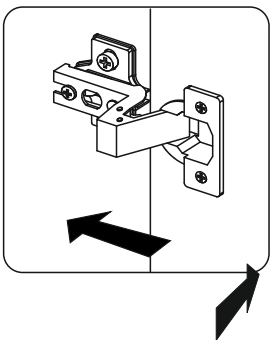
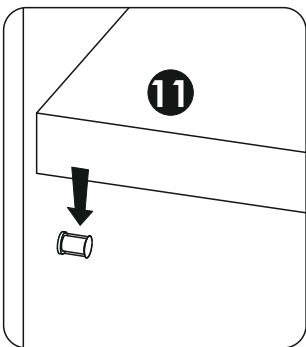
22▶

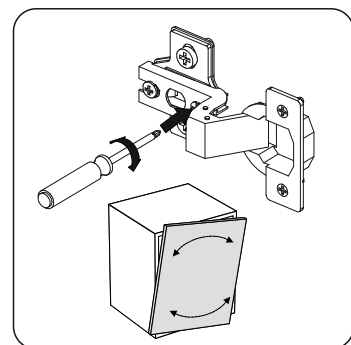
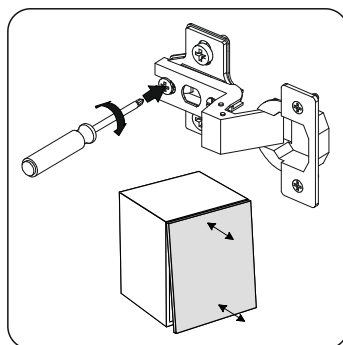
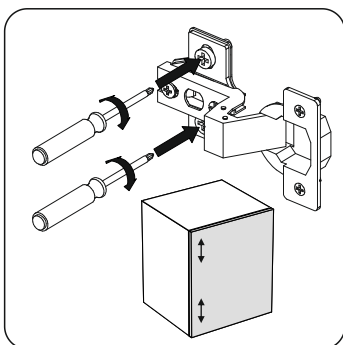
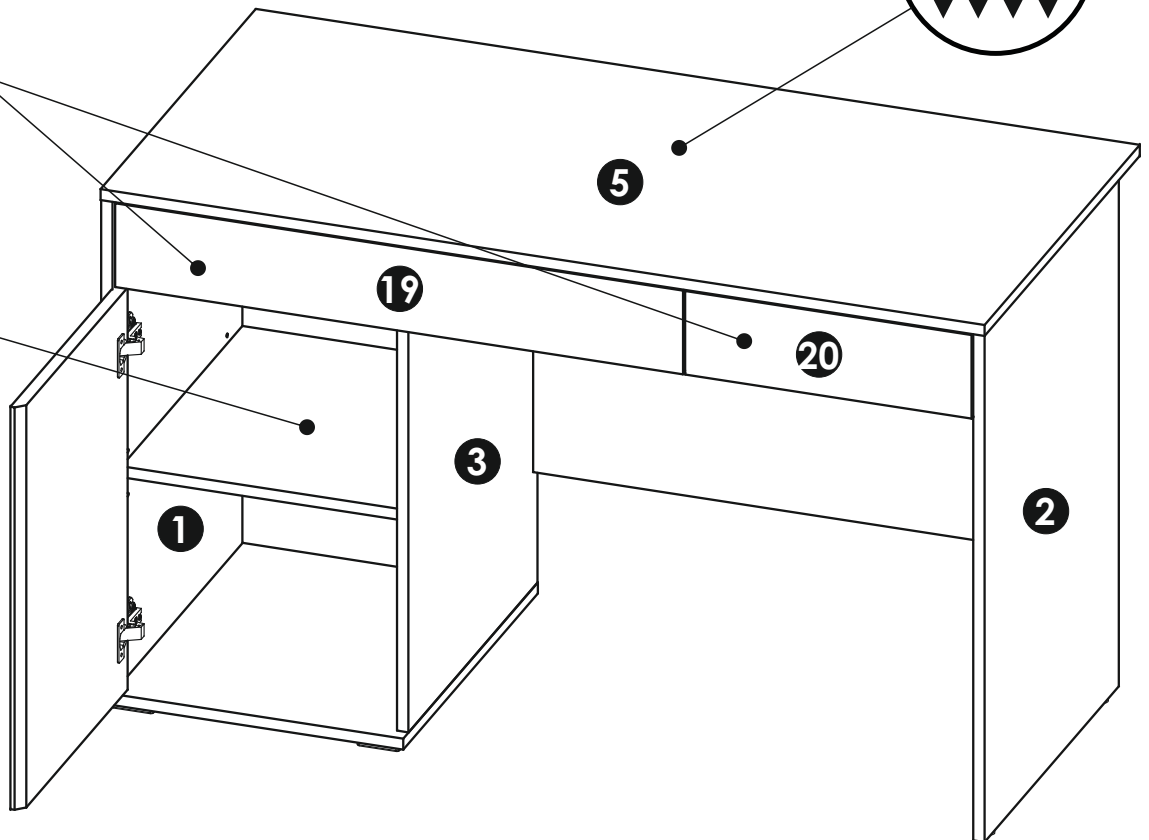


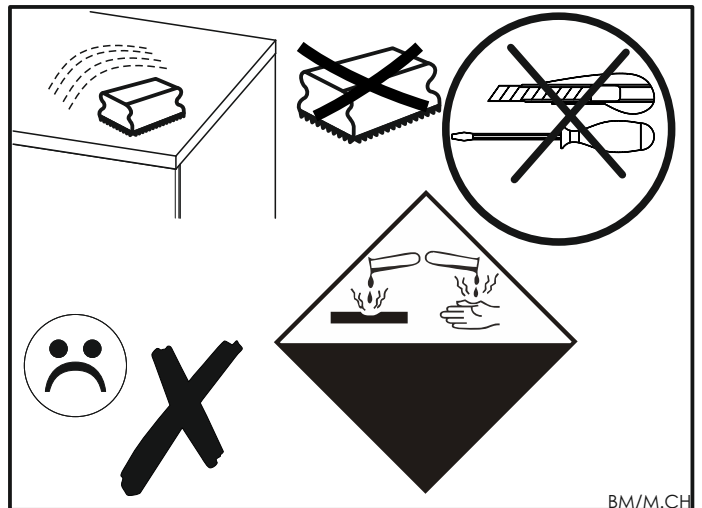
23 ▶



24 ▶







BM/M.CH