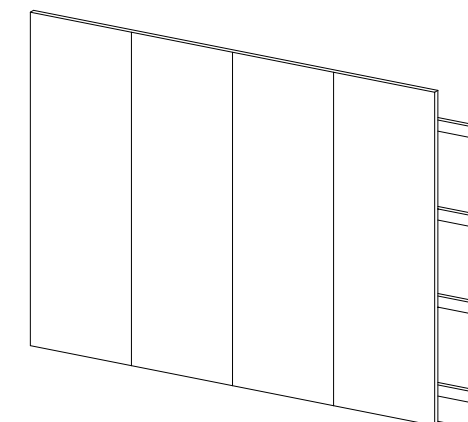
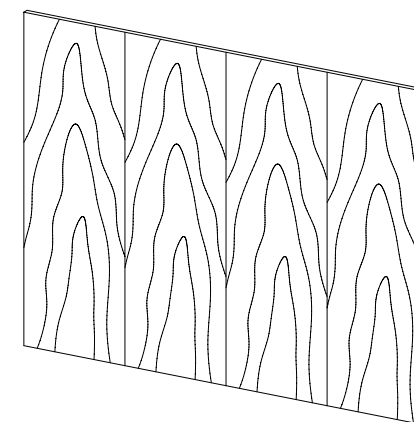
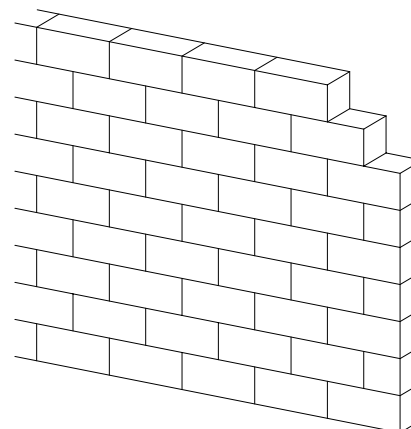
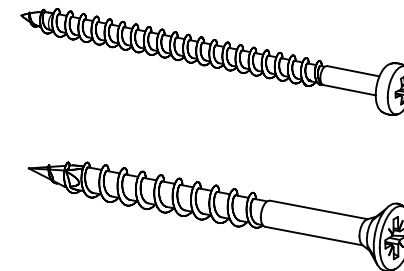
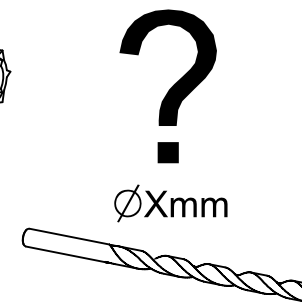
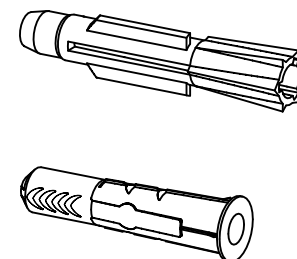
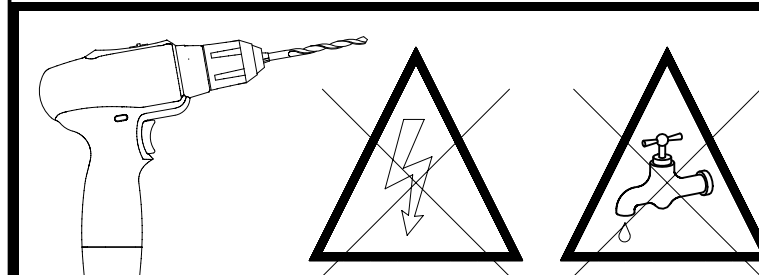
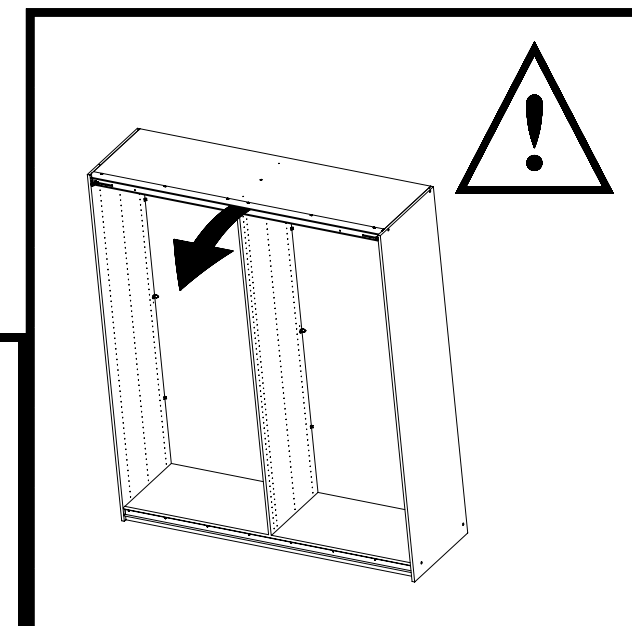
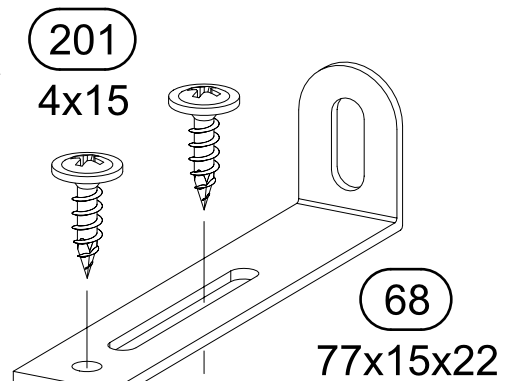
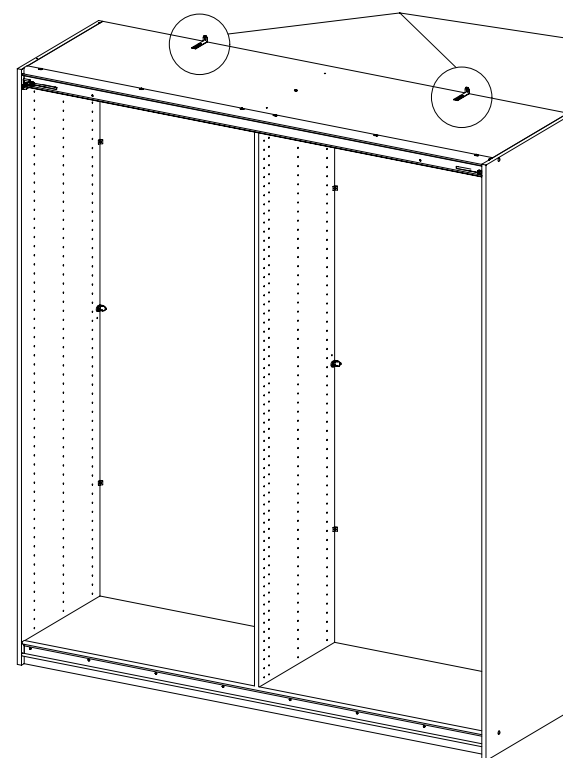
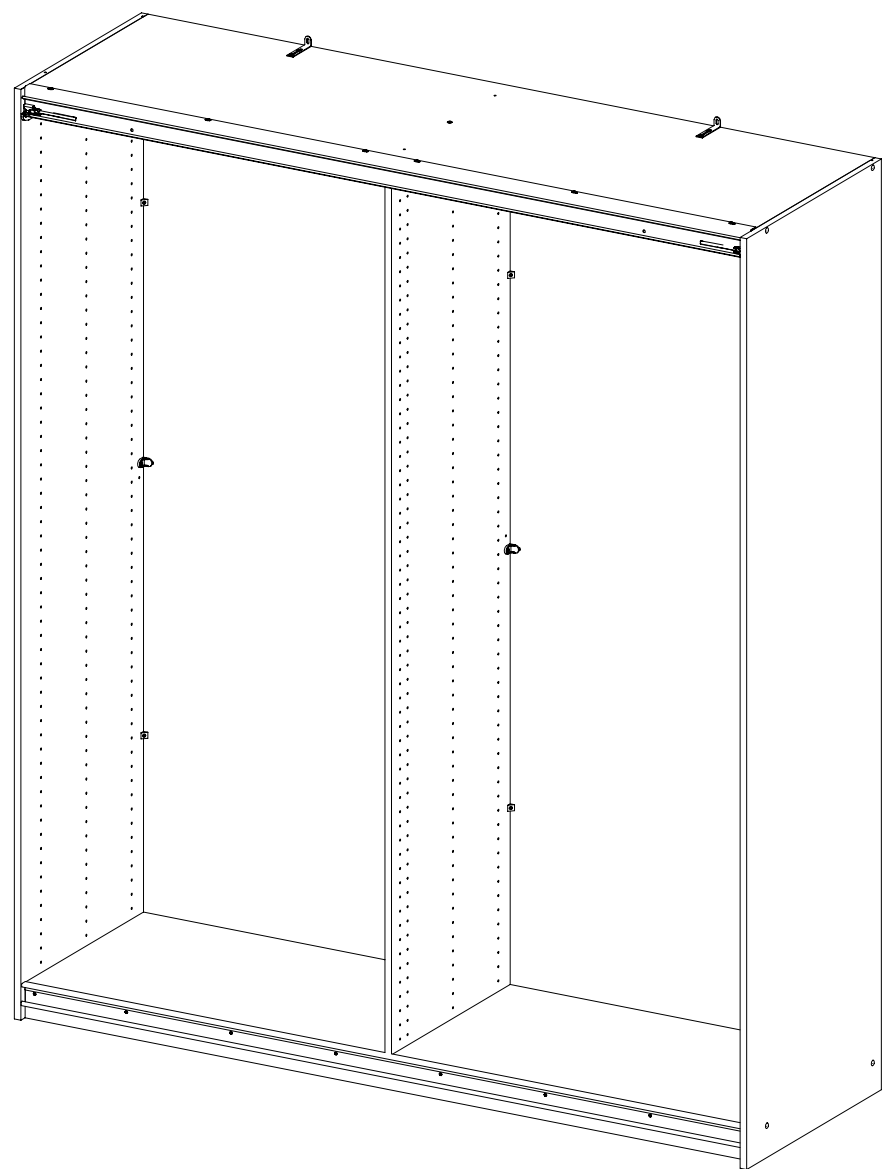
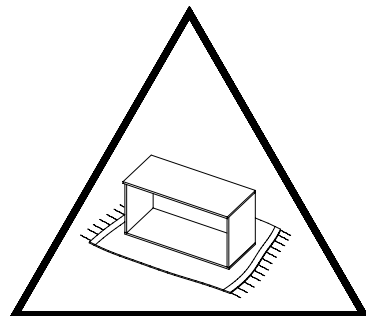
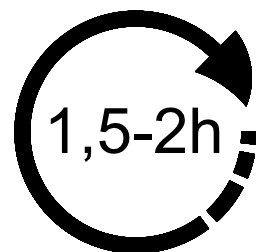
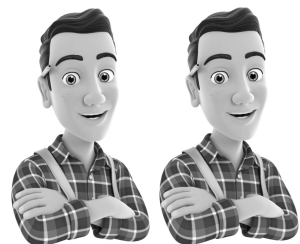
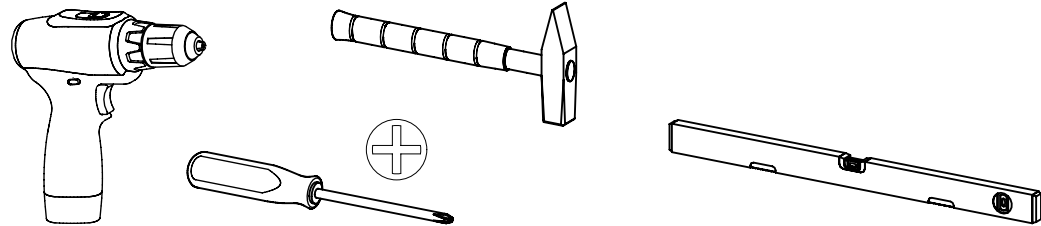
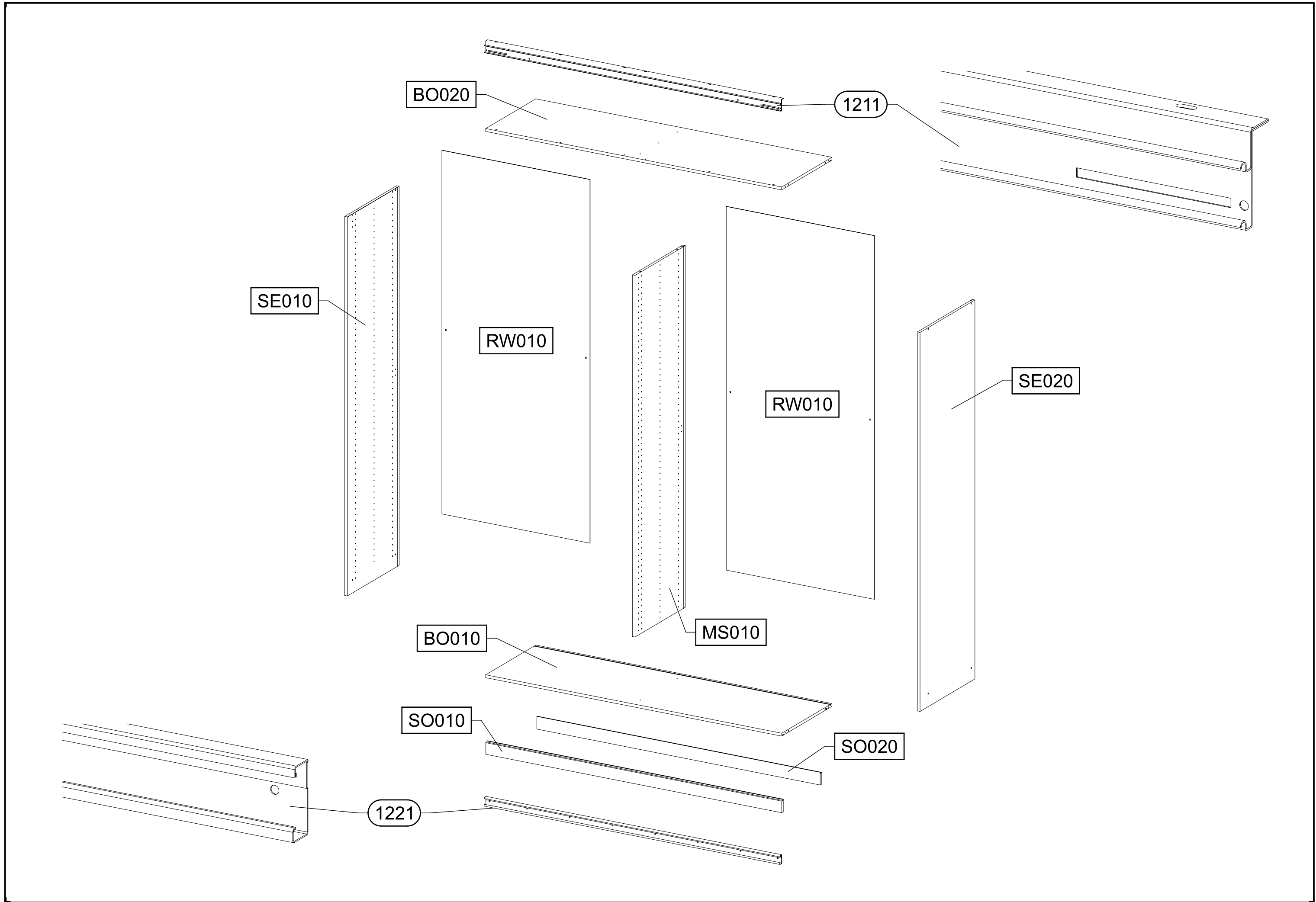
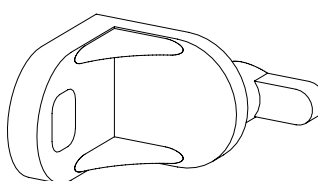
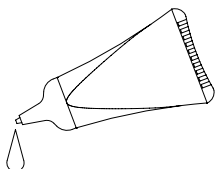
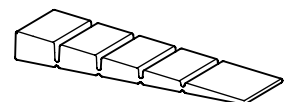
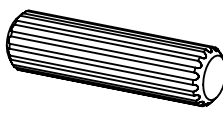
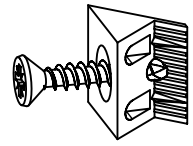
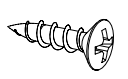
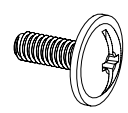
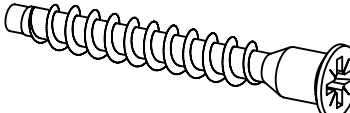
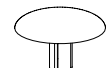
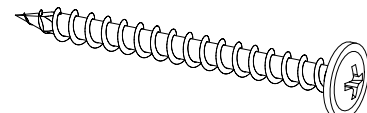
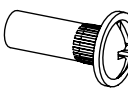
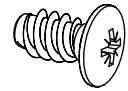
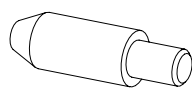
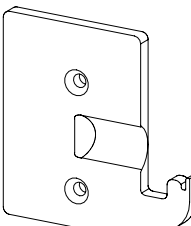
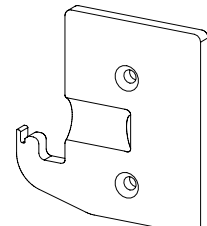
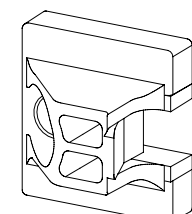
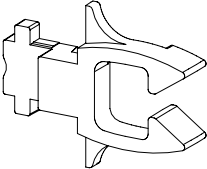
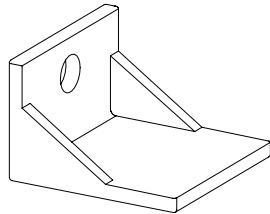
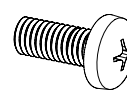
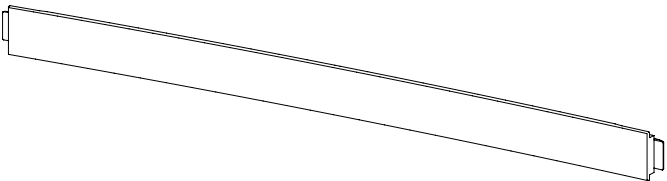

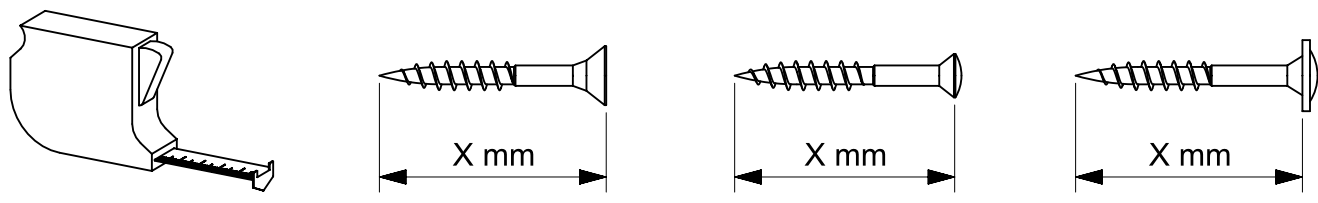


M2574_04

rauch





| | | | |
|--|---|--|---|
| 4x 1  | 11  | 2x 55x16x6,2 12  | |
| 8x 18 8x30  | 8x 45  | 12x 205 3,5x15  | 6x 211 M4x12  |
| 8x 233 6,3x50  | 8x 271  | 1x 296 4,5x50  | |
| 6x 580 M4  | 4x 779 6,5x12  | 4x 807  | |
| 1x 1165  | 1x 1166  | 2x 1167  | |
| 2x 1168  | 2x 1277  | 2x 1279 M5x12  | |
| 2x 1280  | 2x 1288 M5  | | |
|  | | | |

1
11

BO010

SO010
SO020

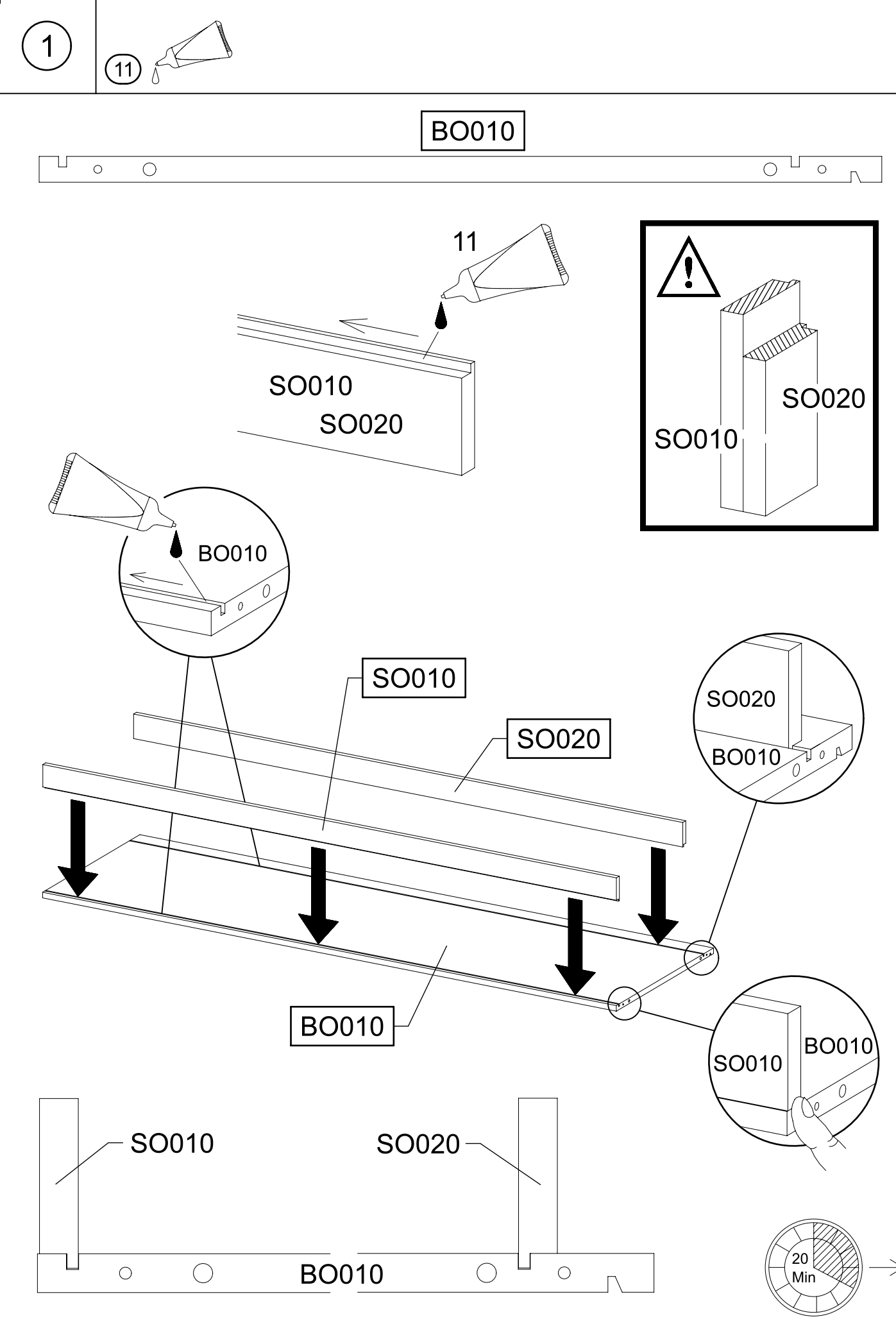
SO010
SO020

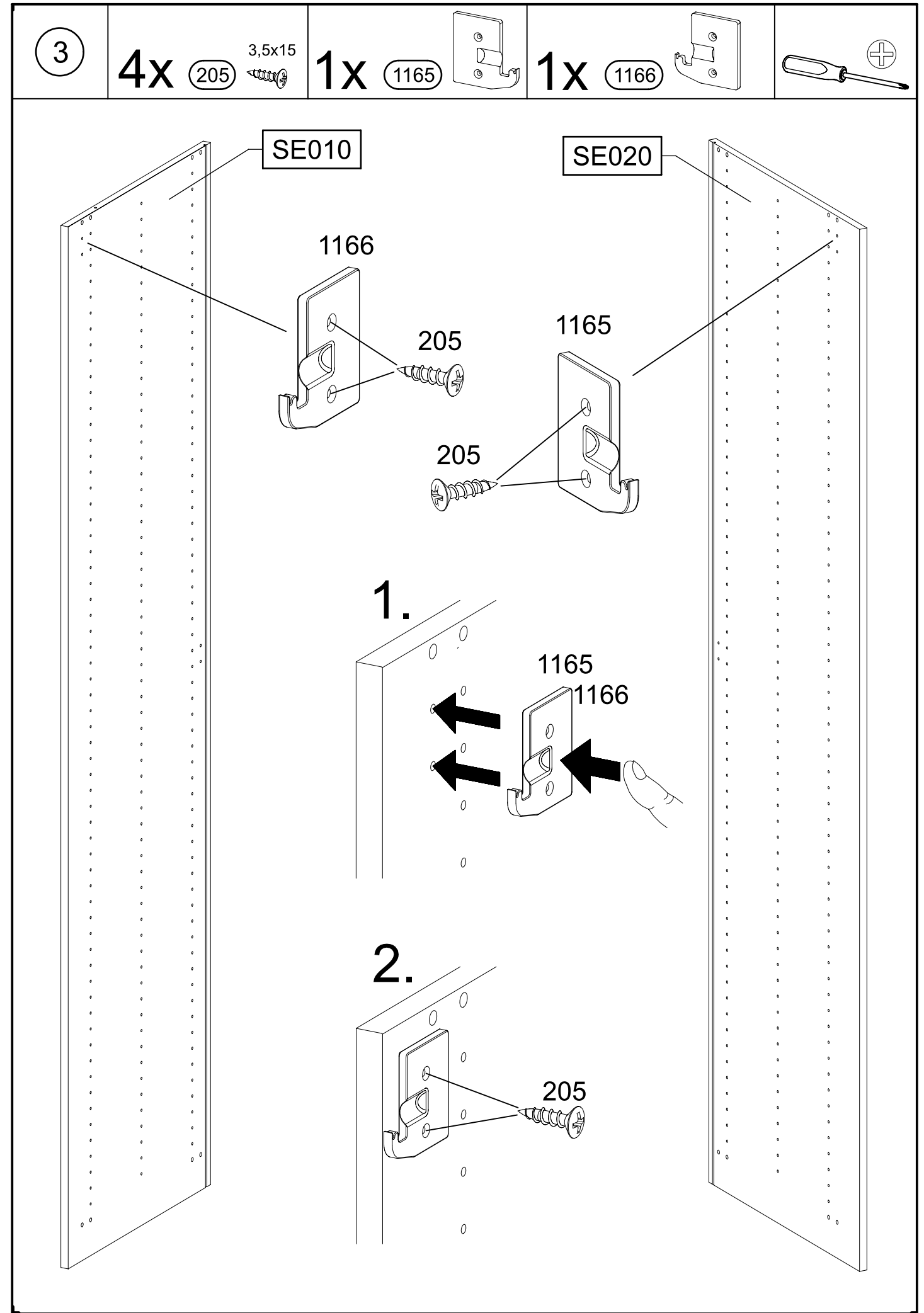
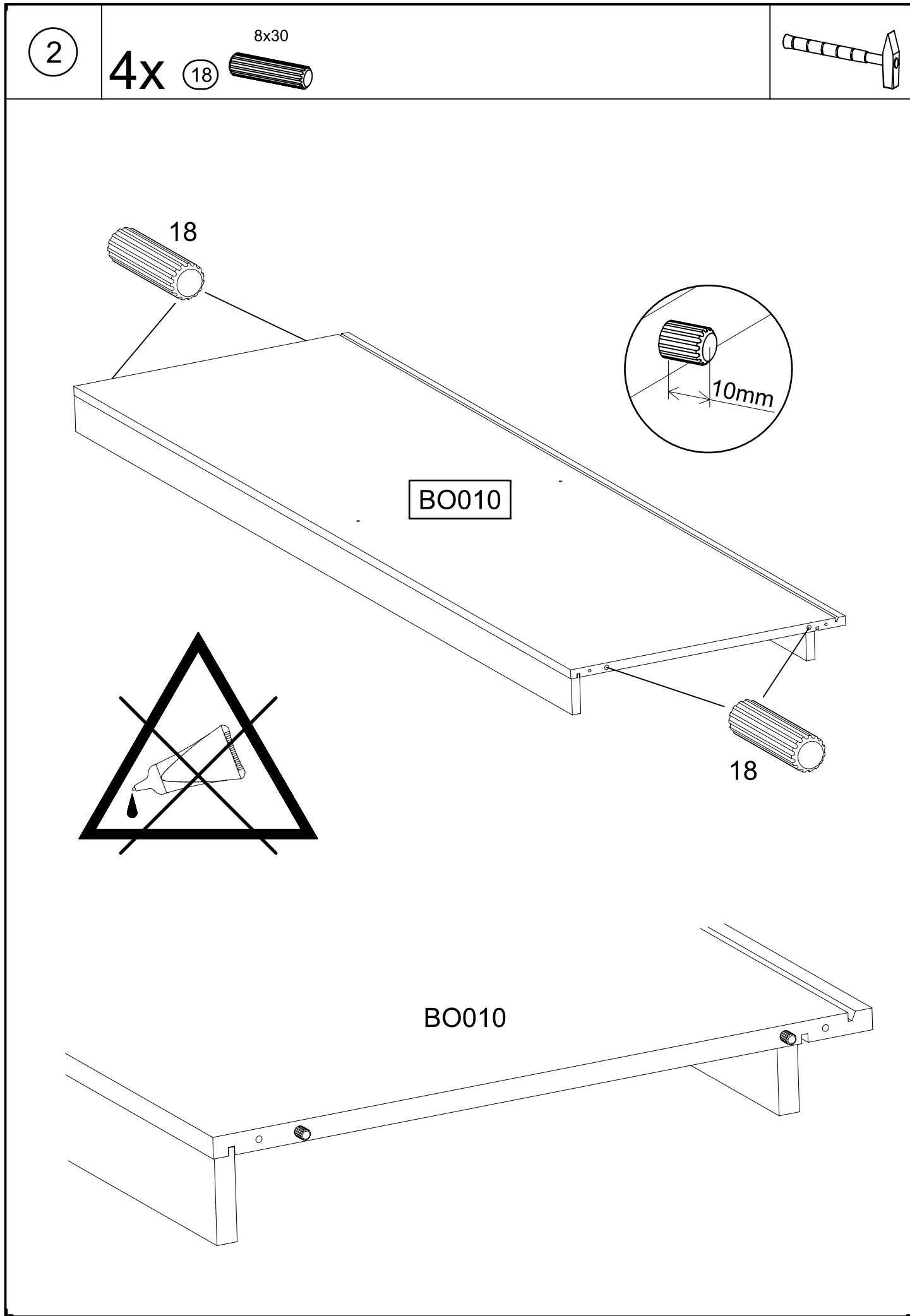
SO010
SO020
BO010

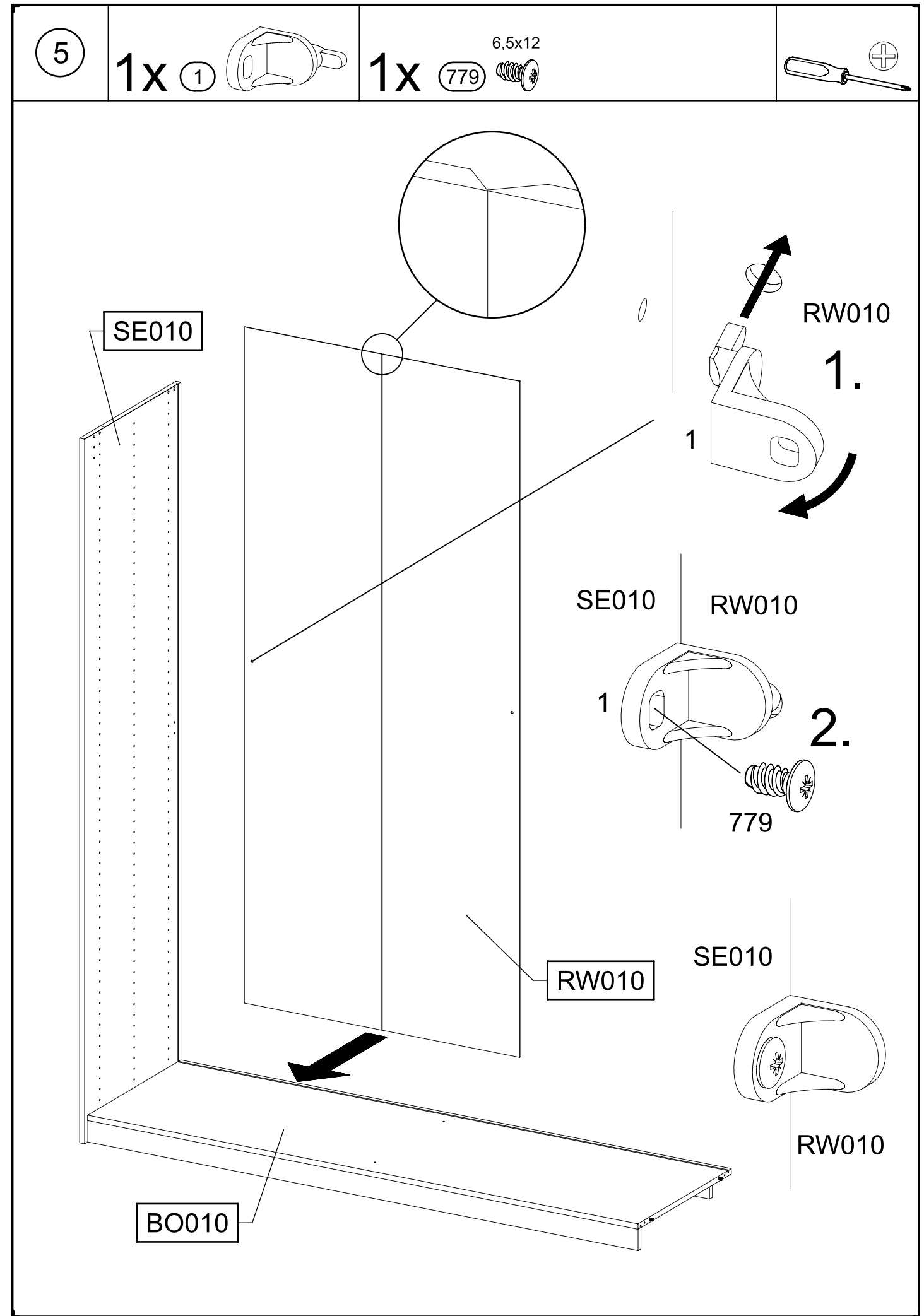
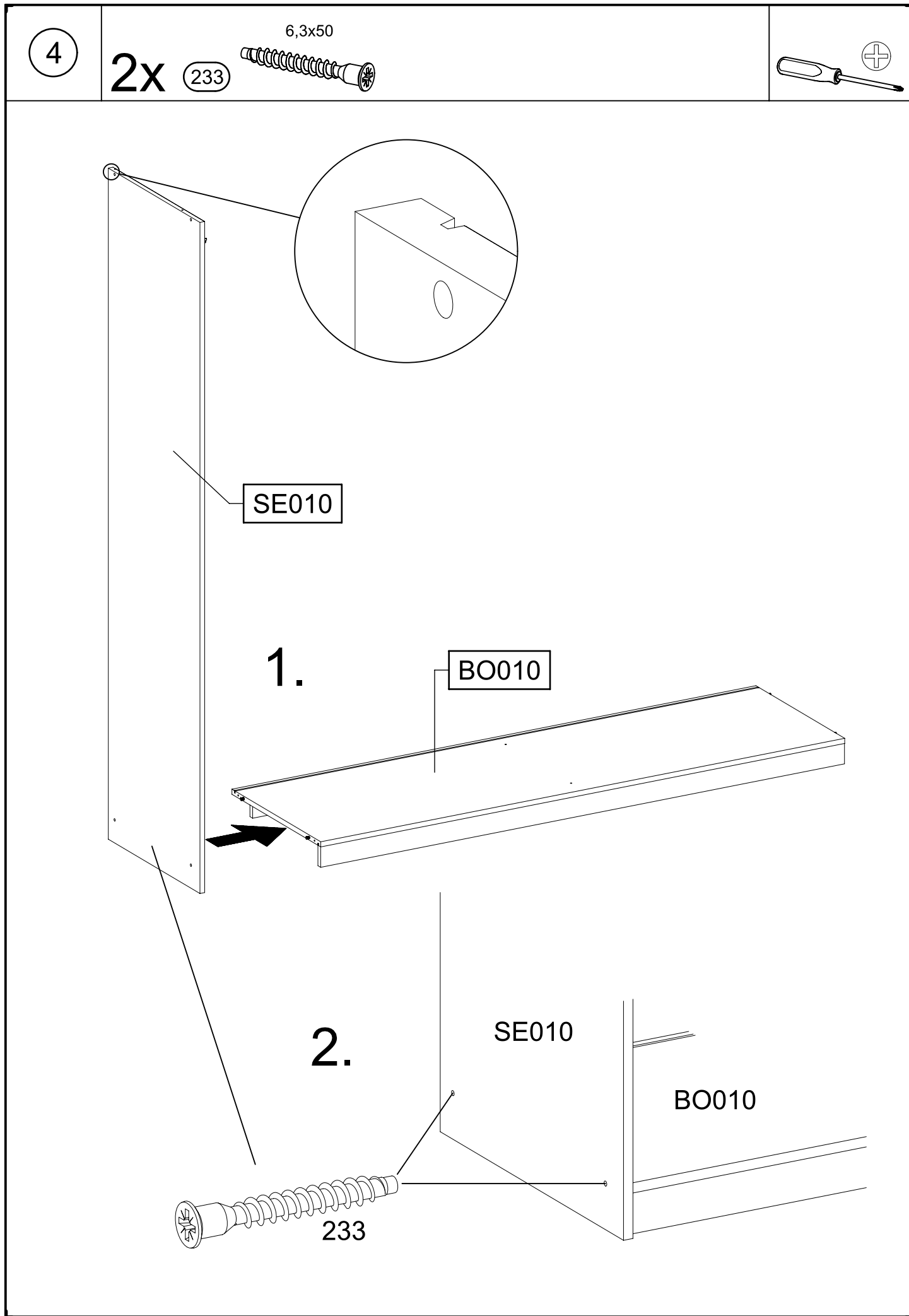
SO010
BO010

SO010
SO020
BO010

20 Min

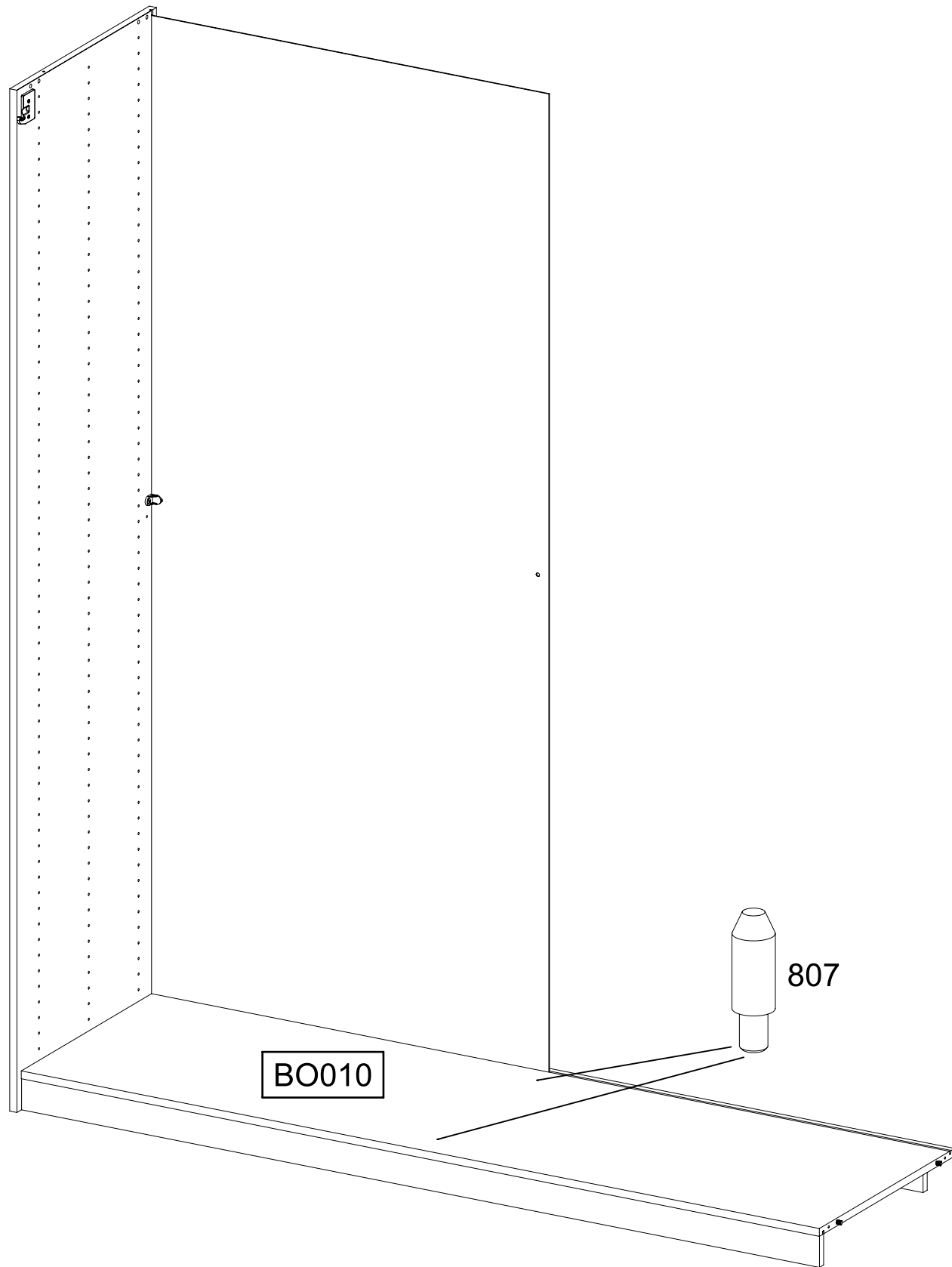
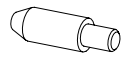






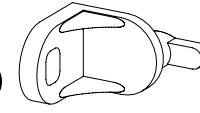
6

2x 807



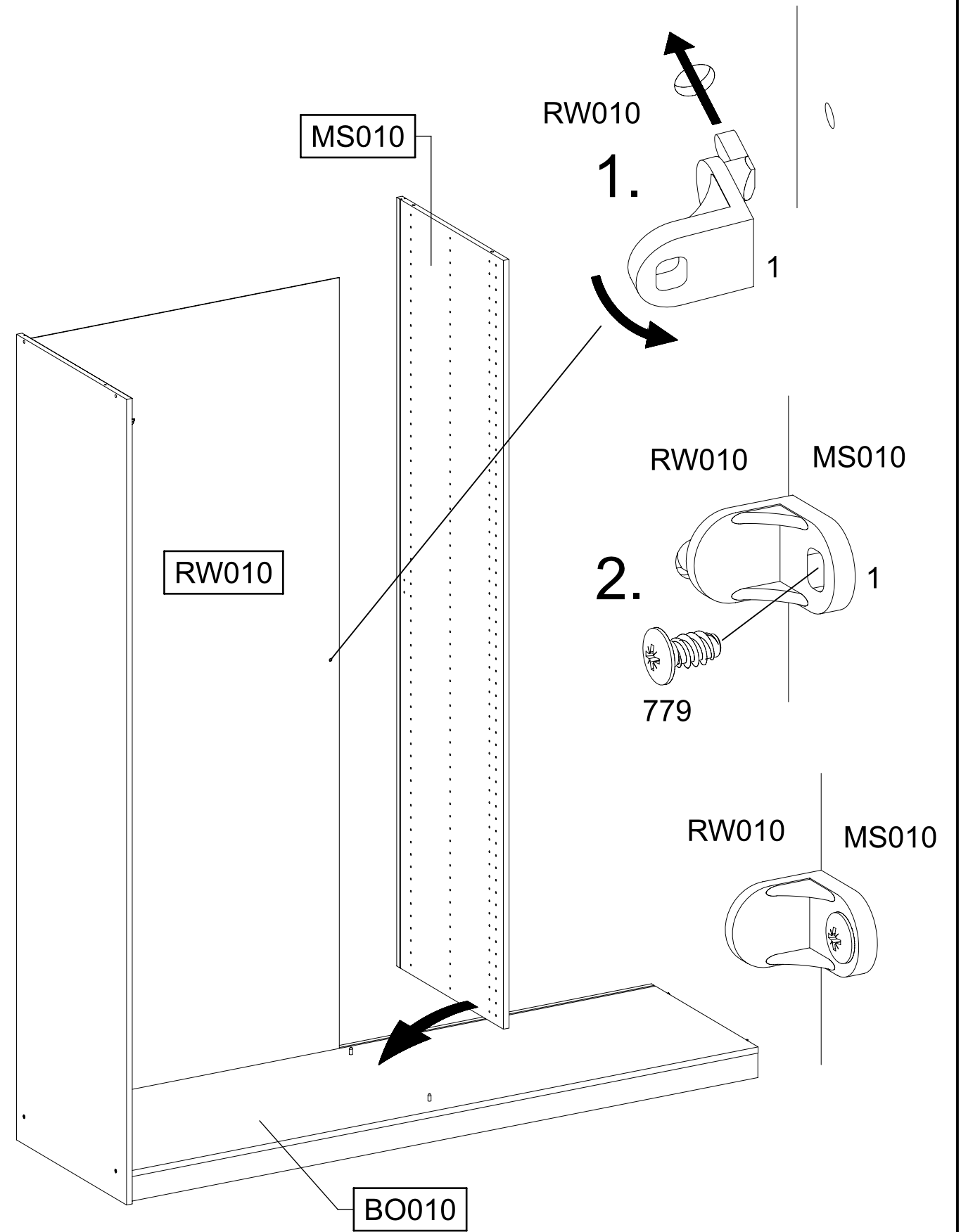
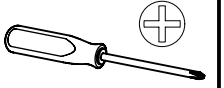
7

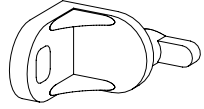

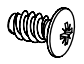
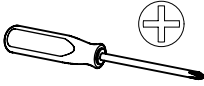
1x 1

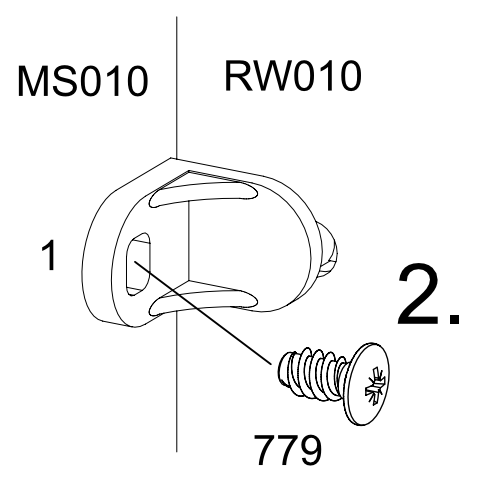
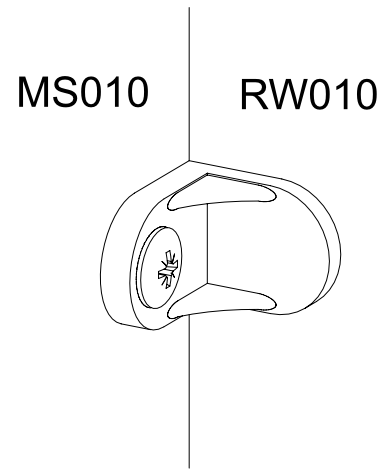
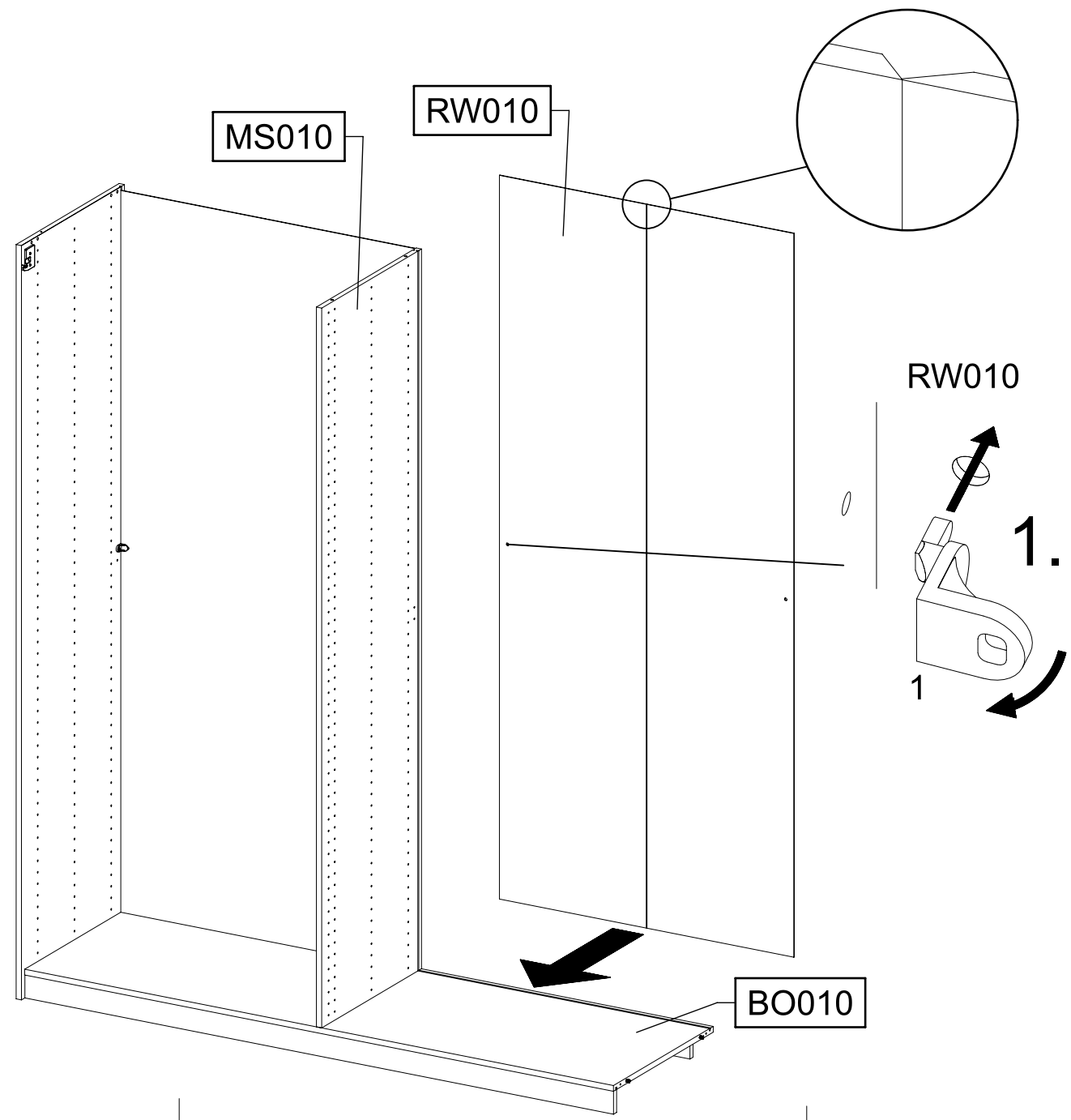


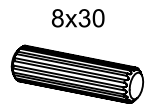

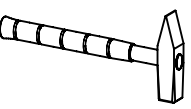
1x 779

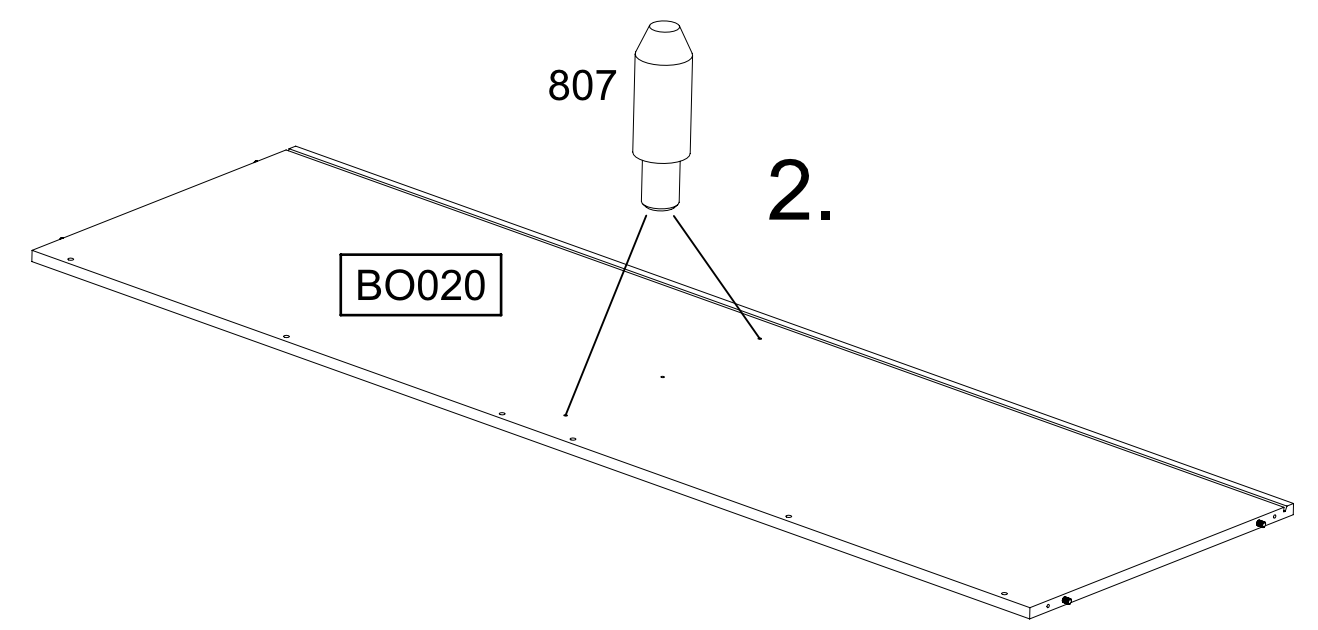
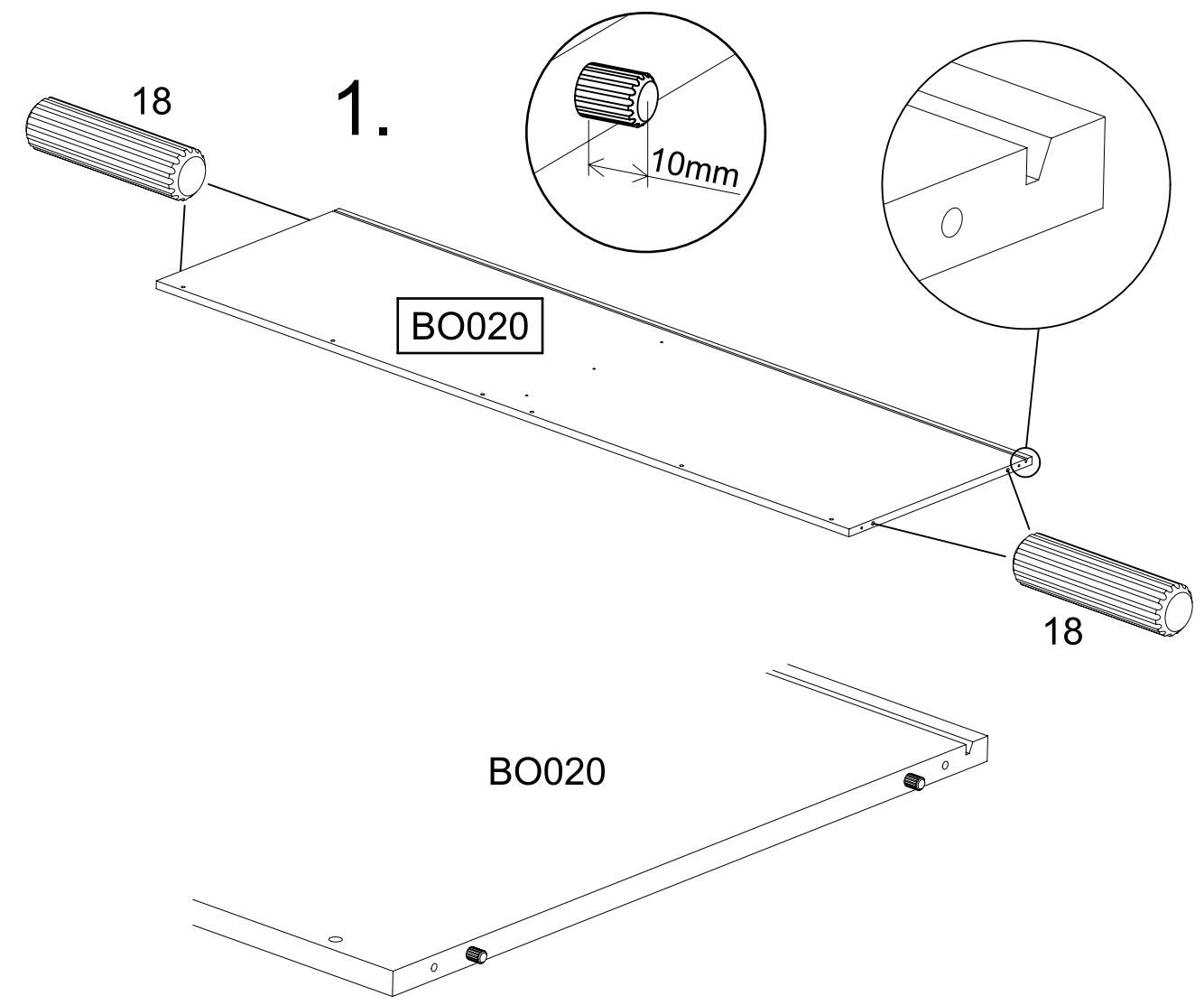
6,5x12

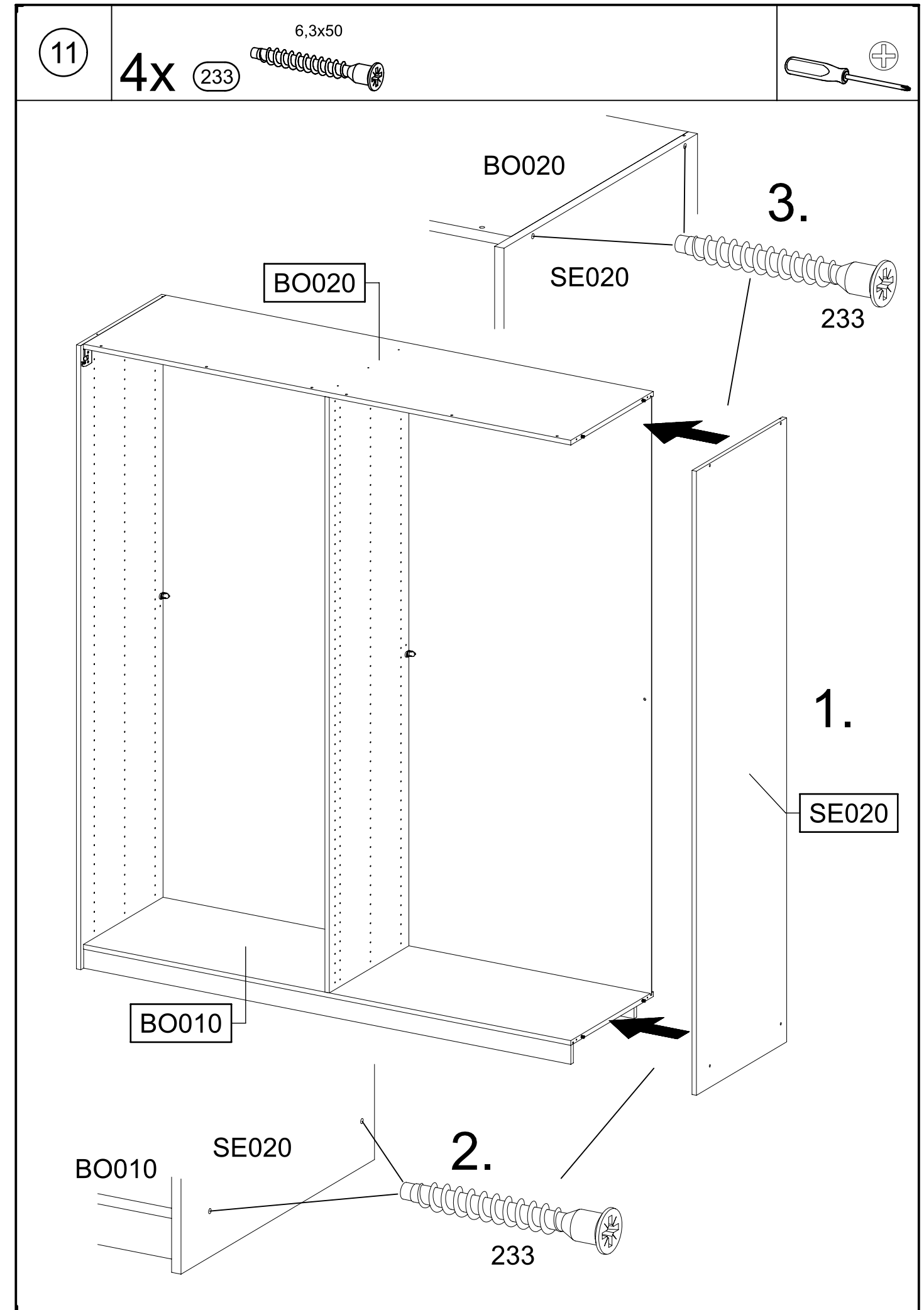
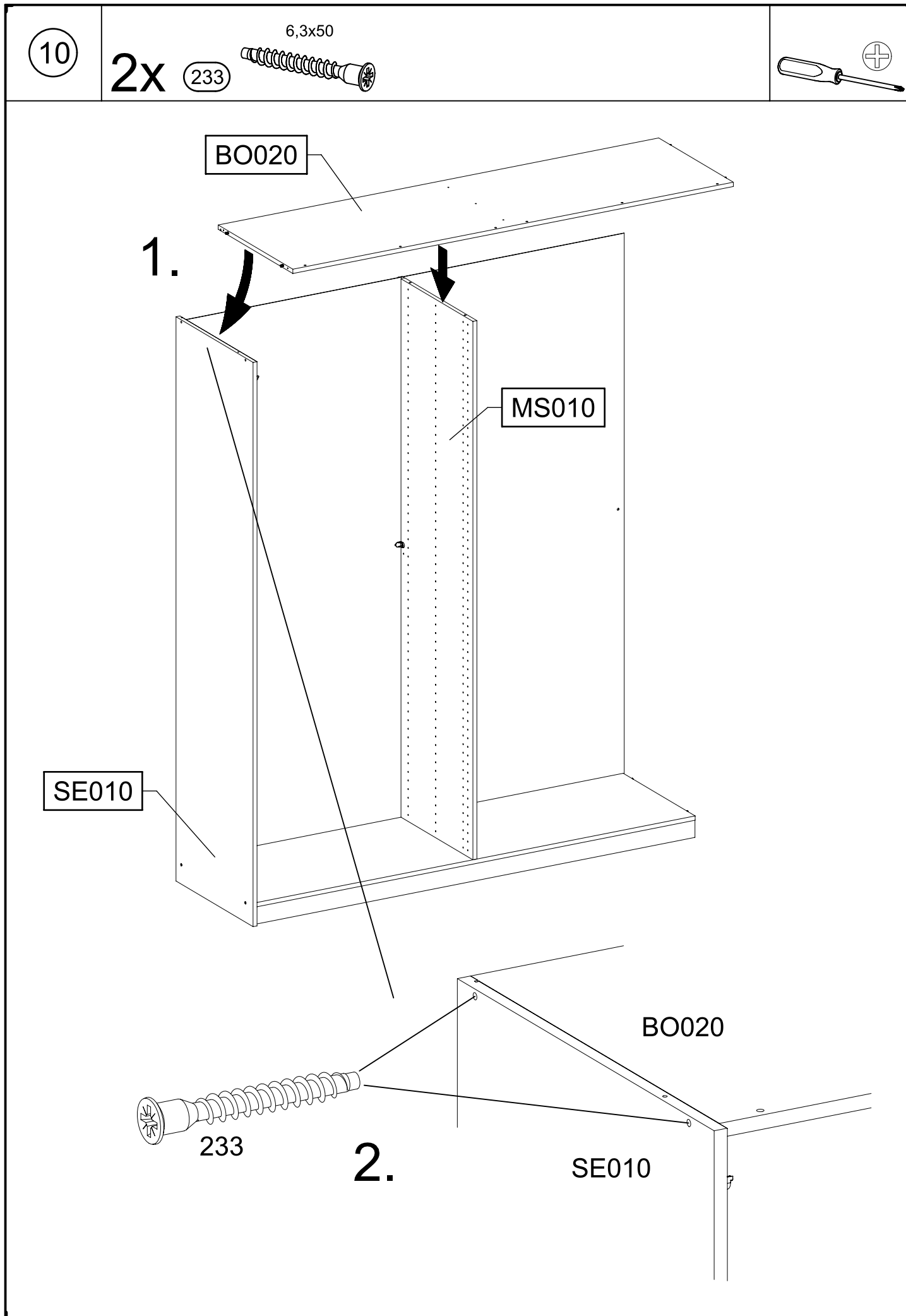


8 1x 1  1x  6,5x12  



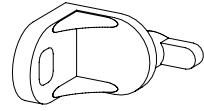
9 4x  8x30 2x  





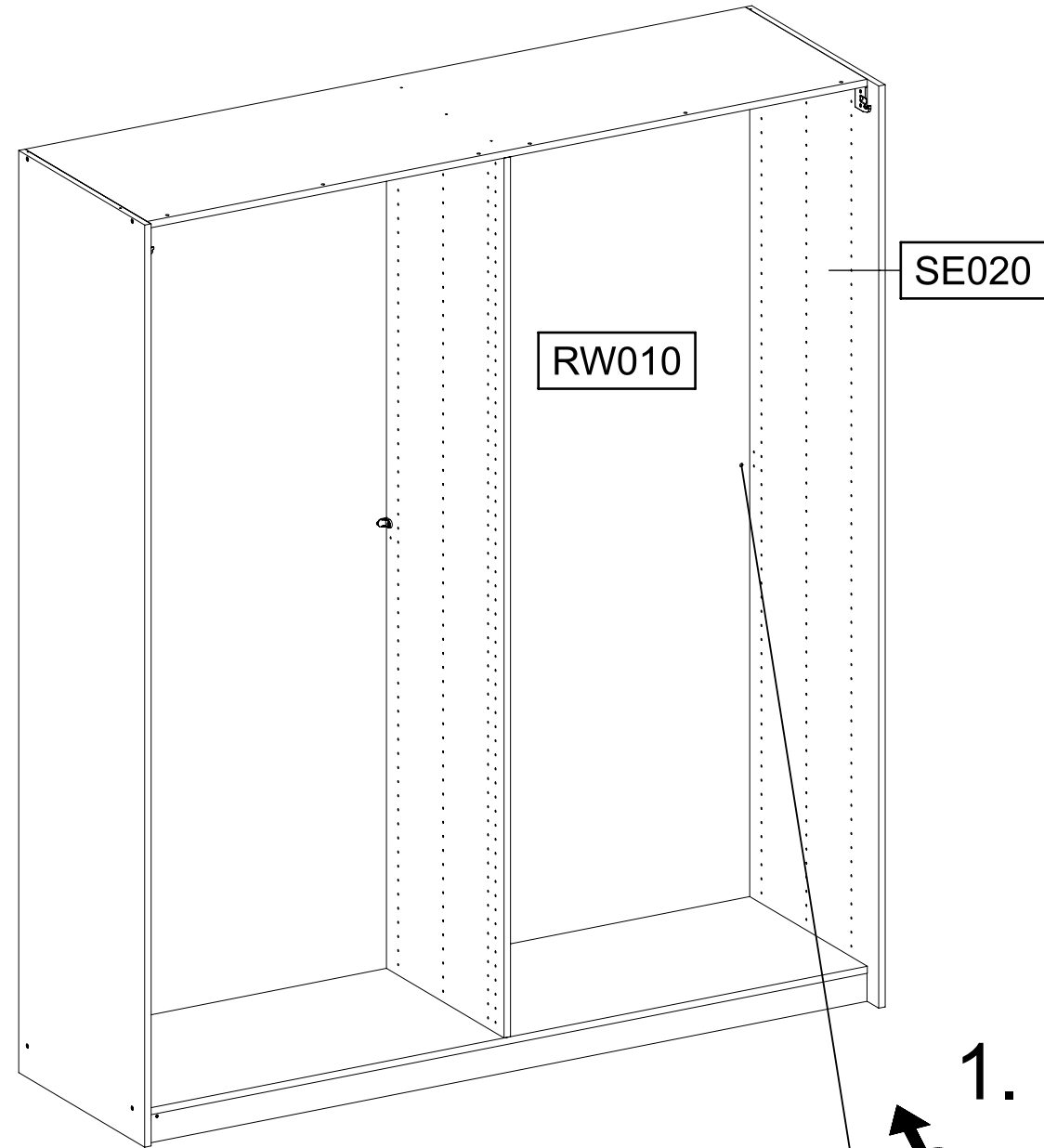
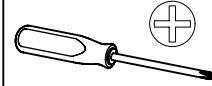
12

1x 1

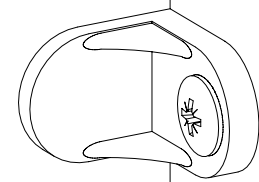


1x 779

6,5x12

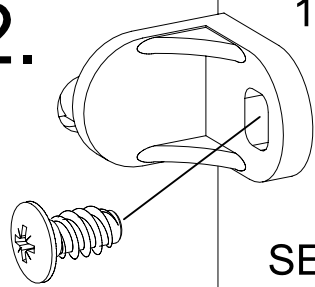


RW010



SE020

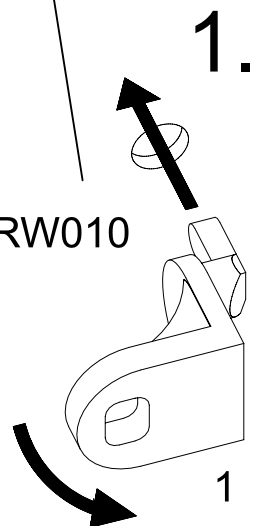
2.



779

SE020

RW010

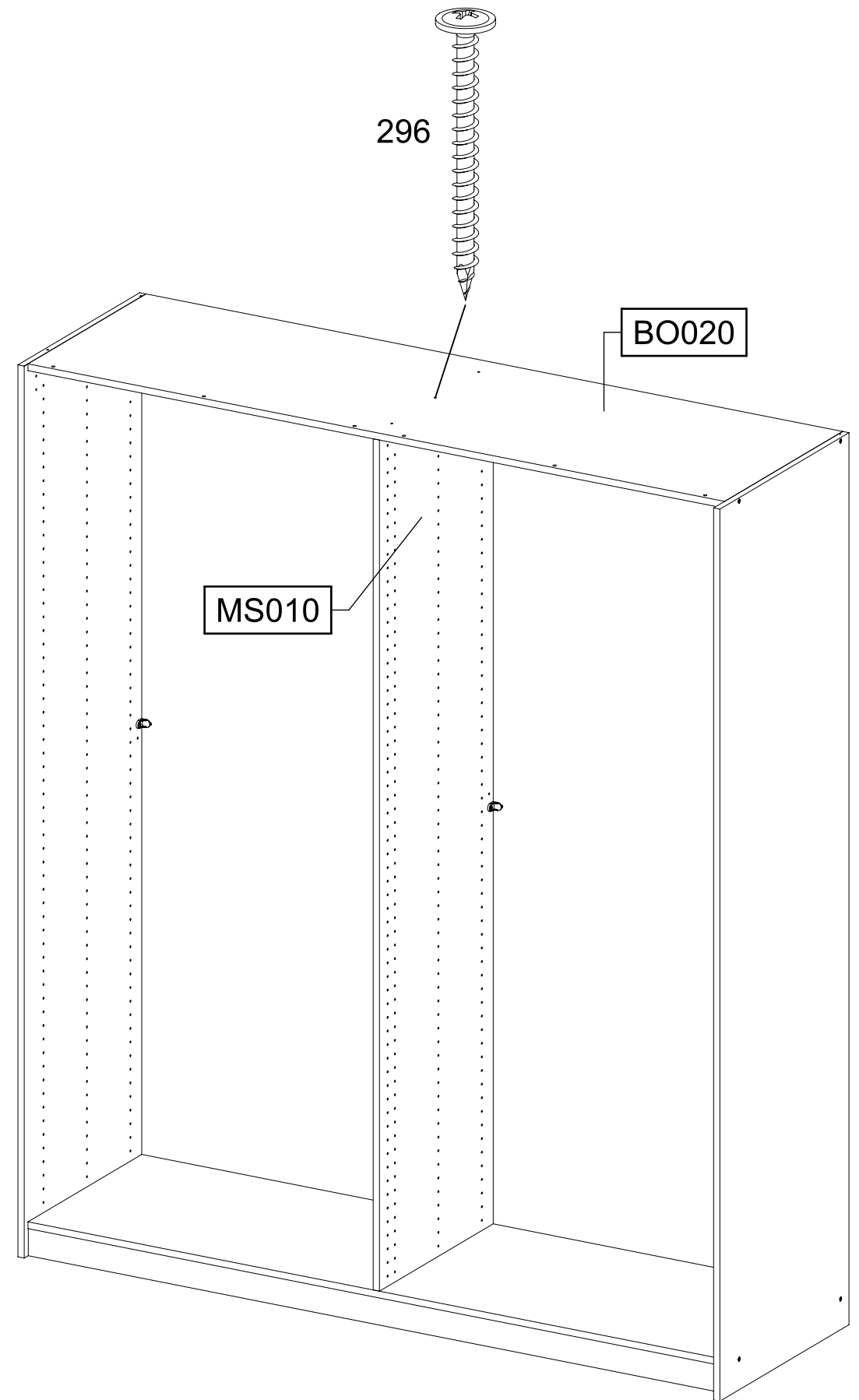
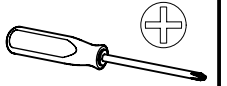
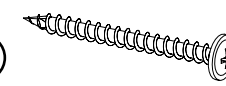


1.

13

1x 296

4,5x50



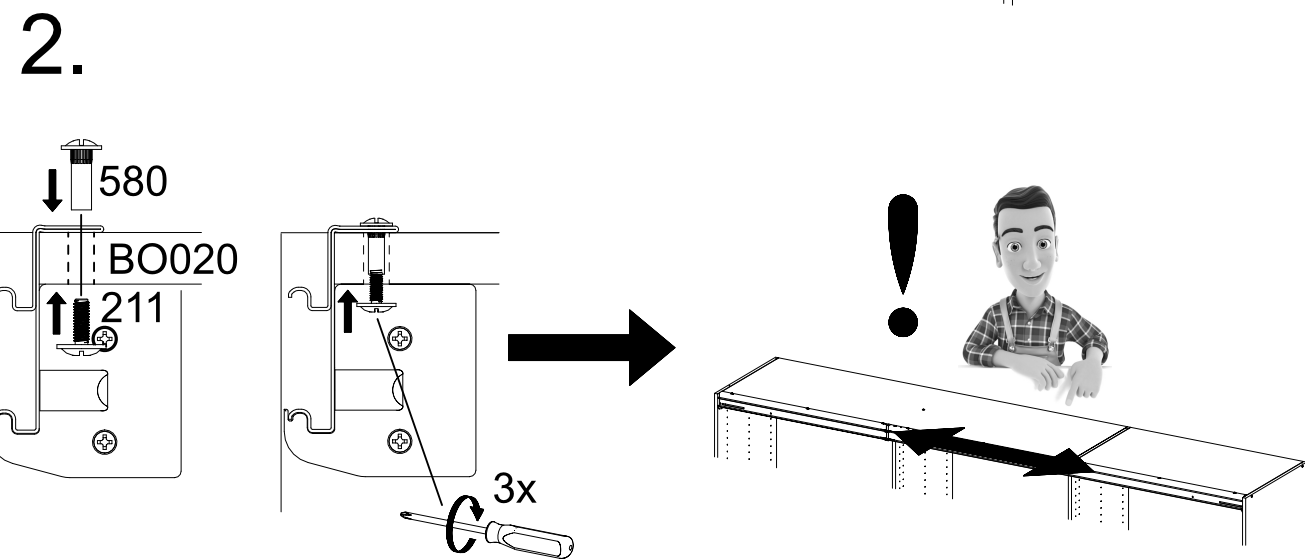
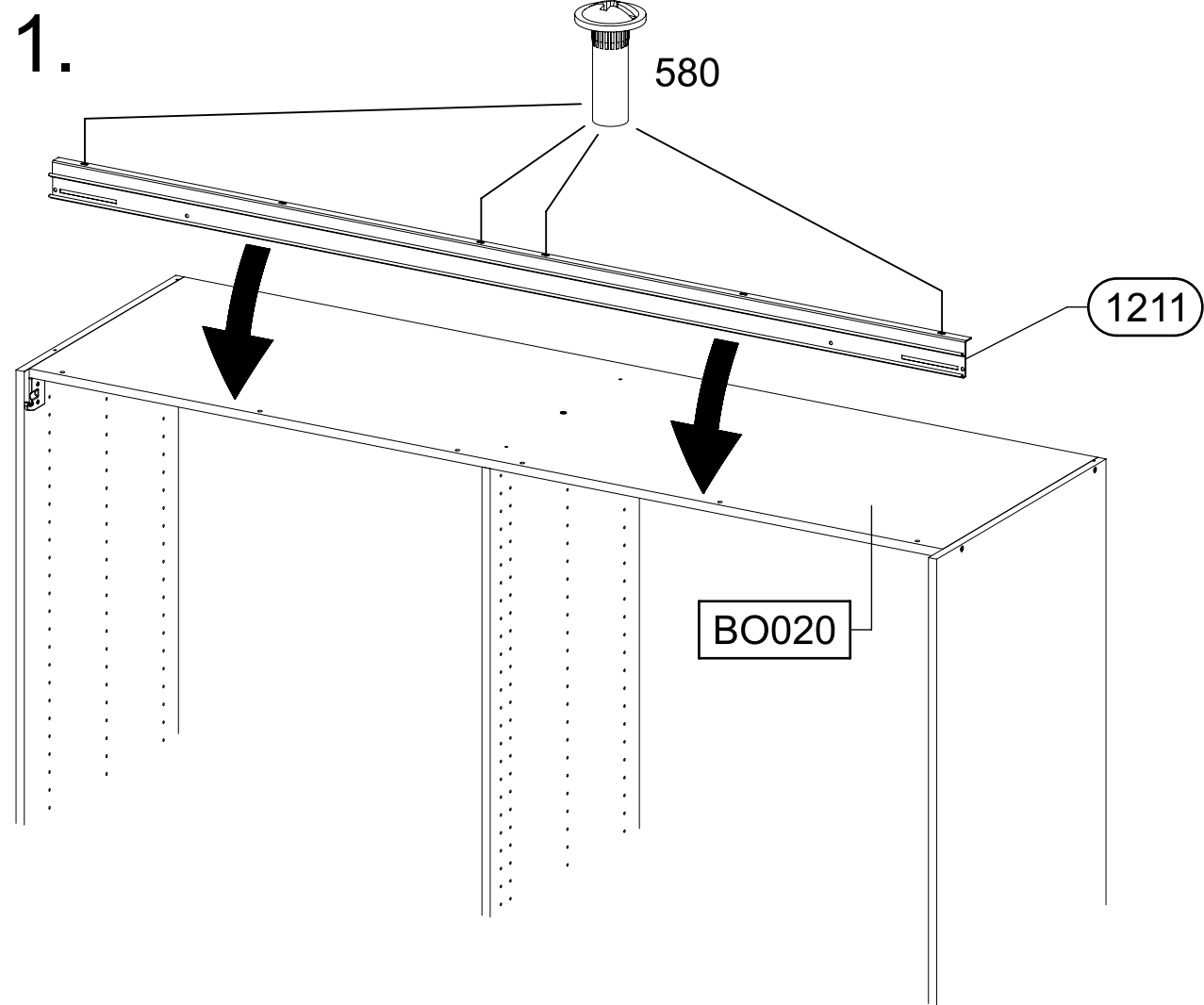
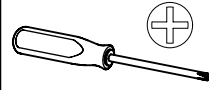
296

BO020

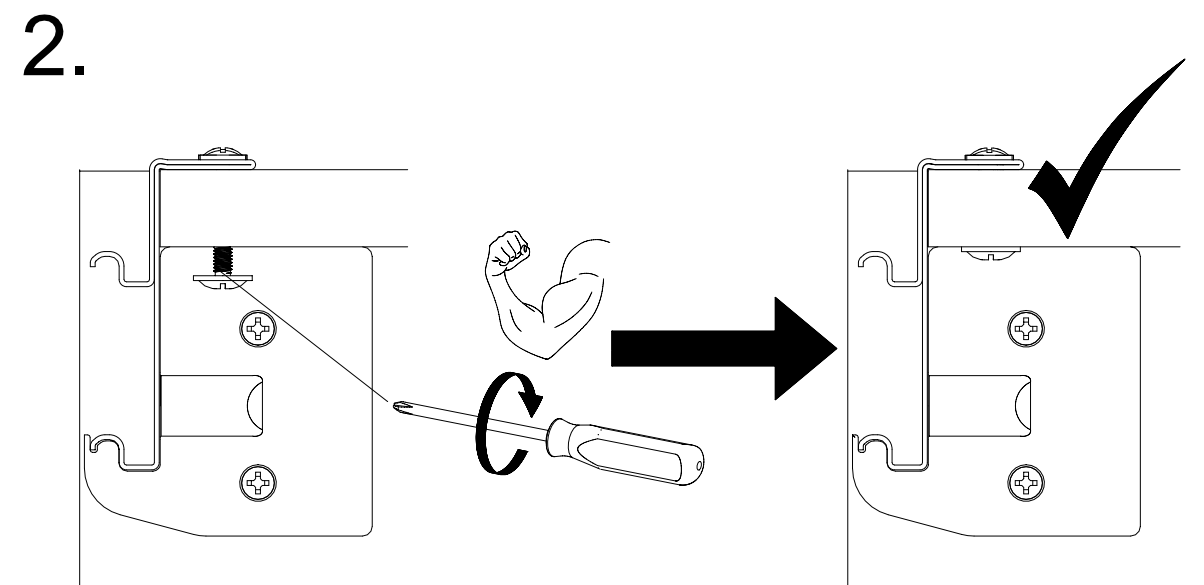
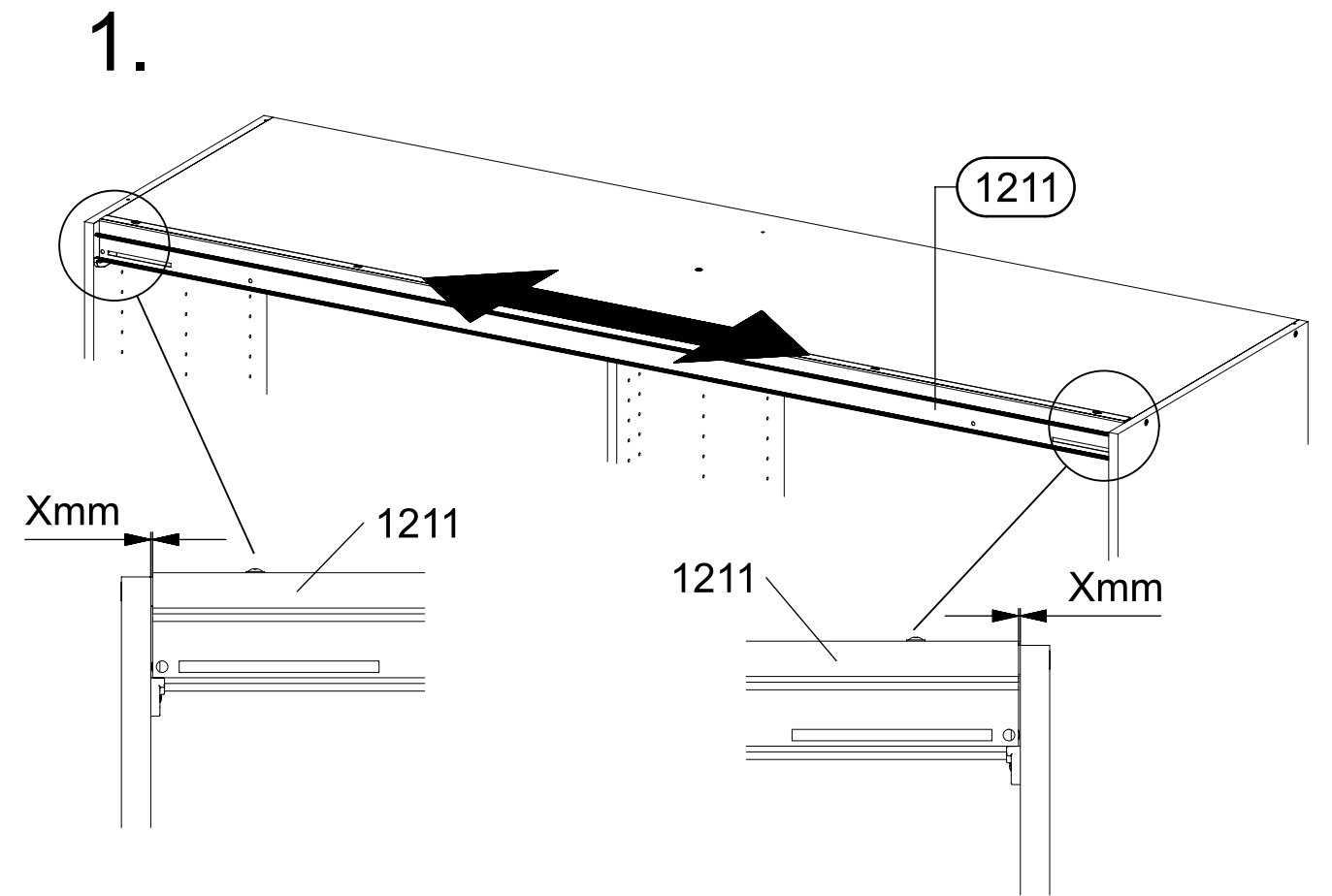
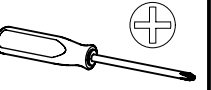
MS010

14

4x (211) M4x12 4x (580) M4



15

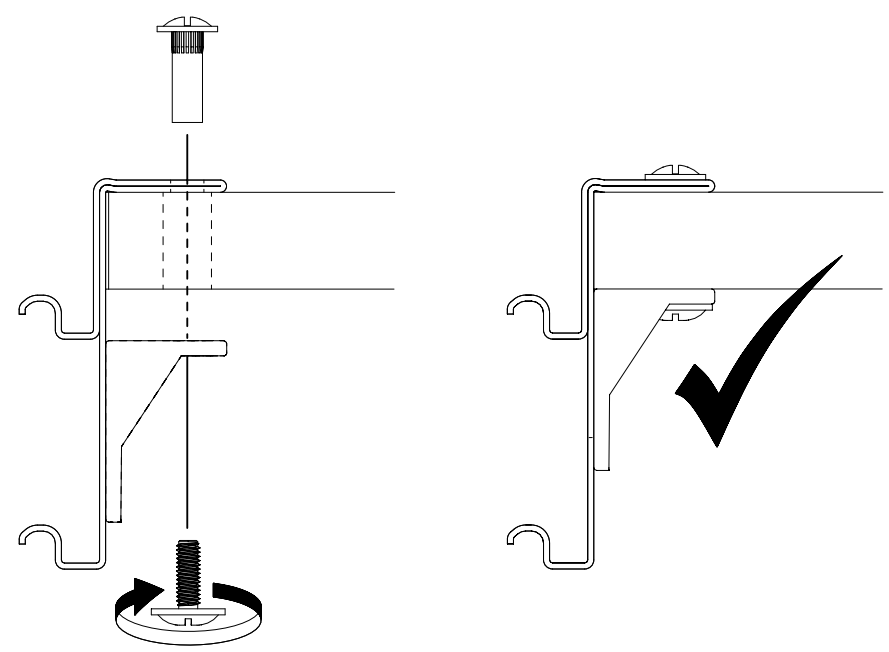
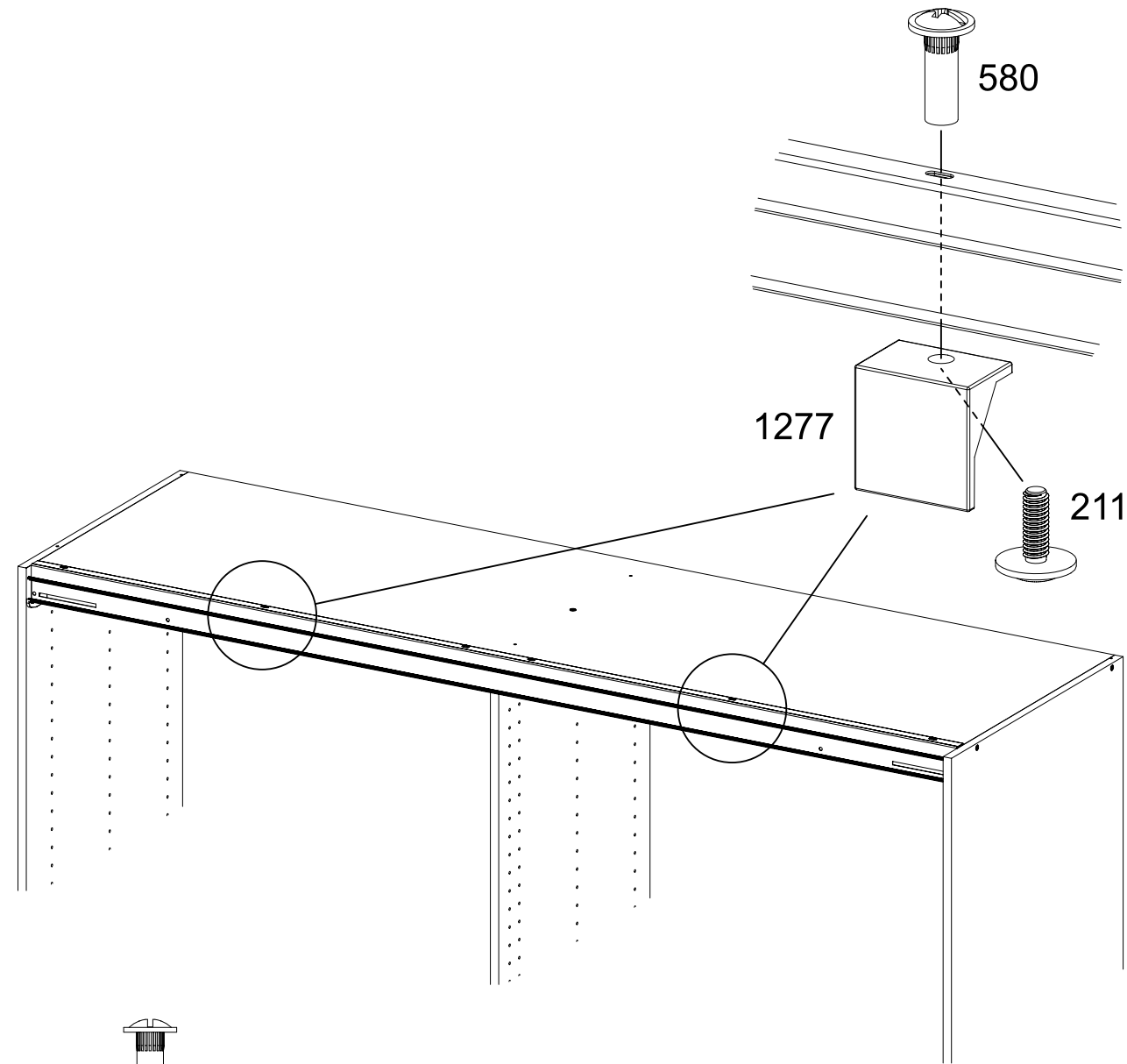
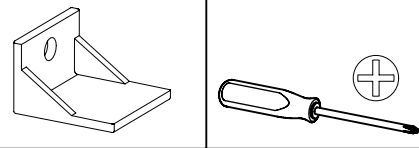


16

2x (211) M4x12

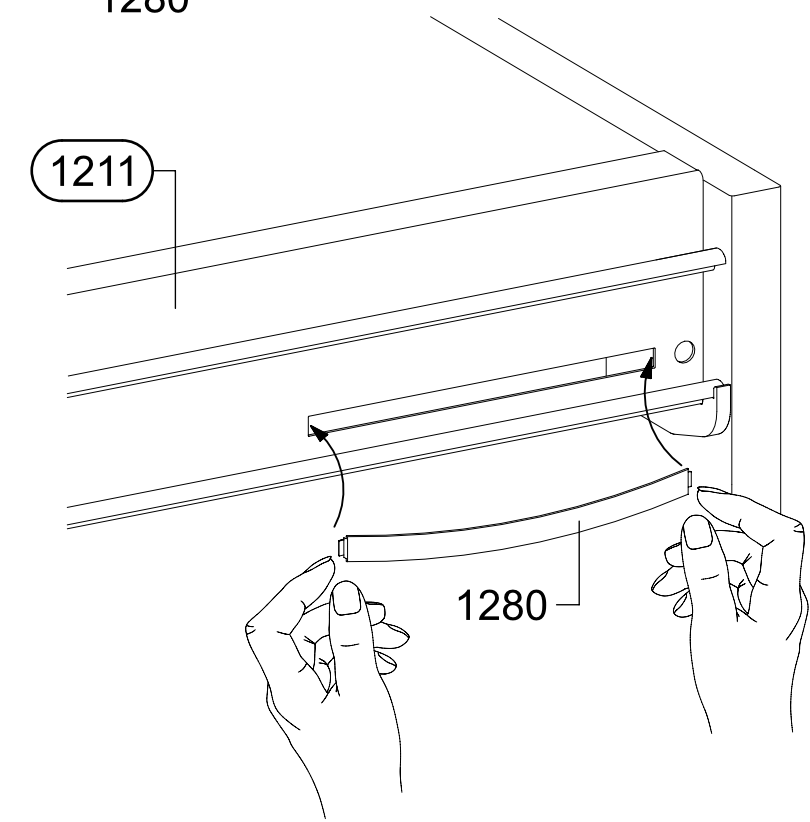
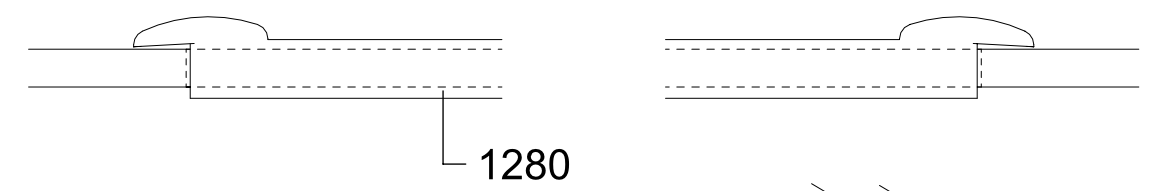
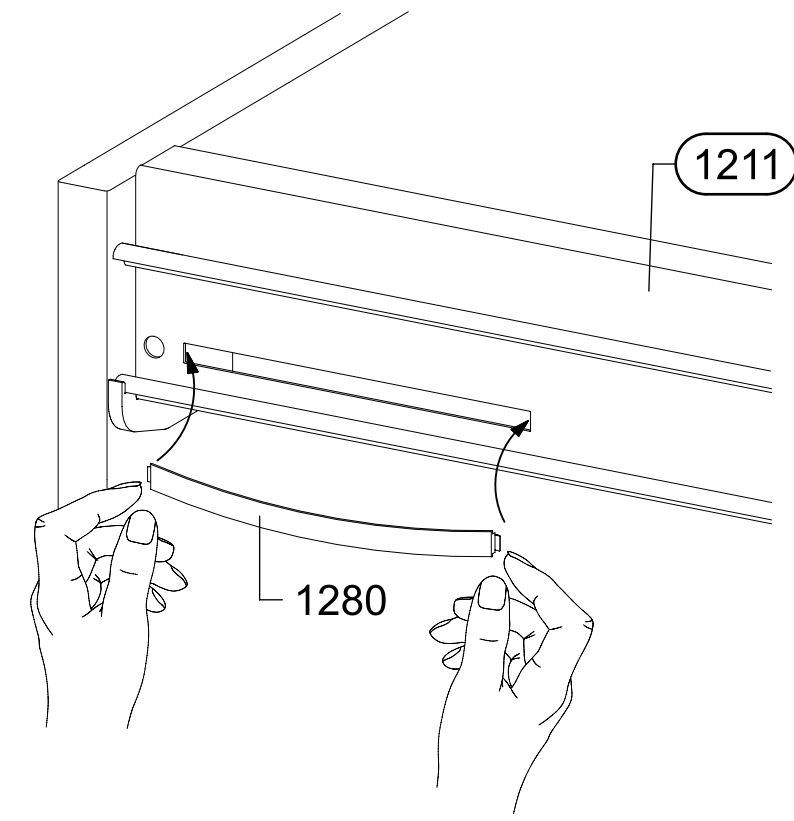
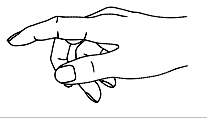
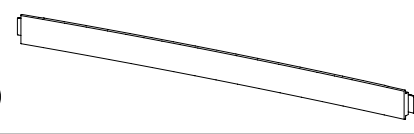
2x (580) M4

2x (1277)



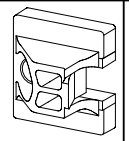
17

2x (1280)

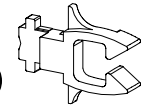


18

2x 1167



2x 1168

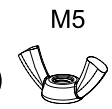


2x 1279

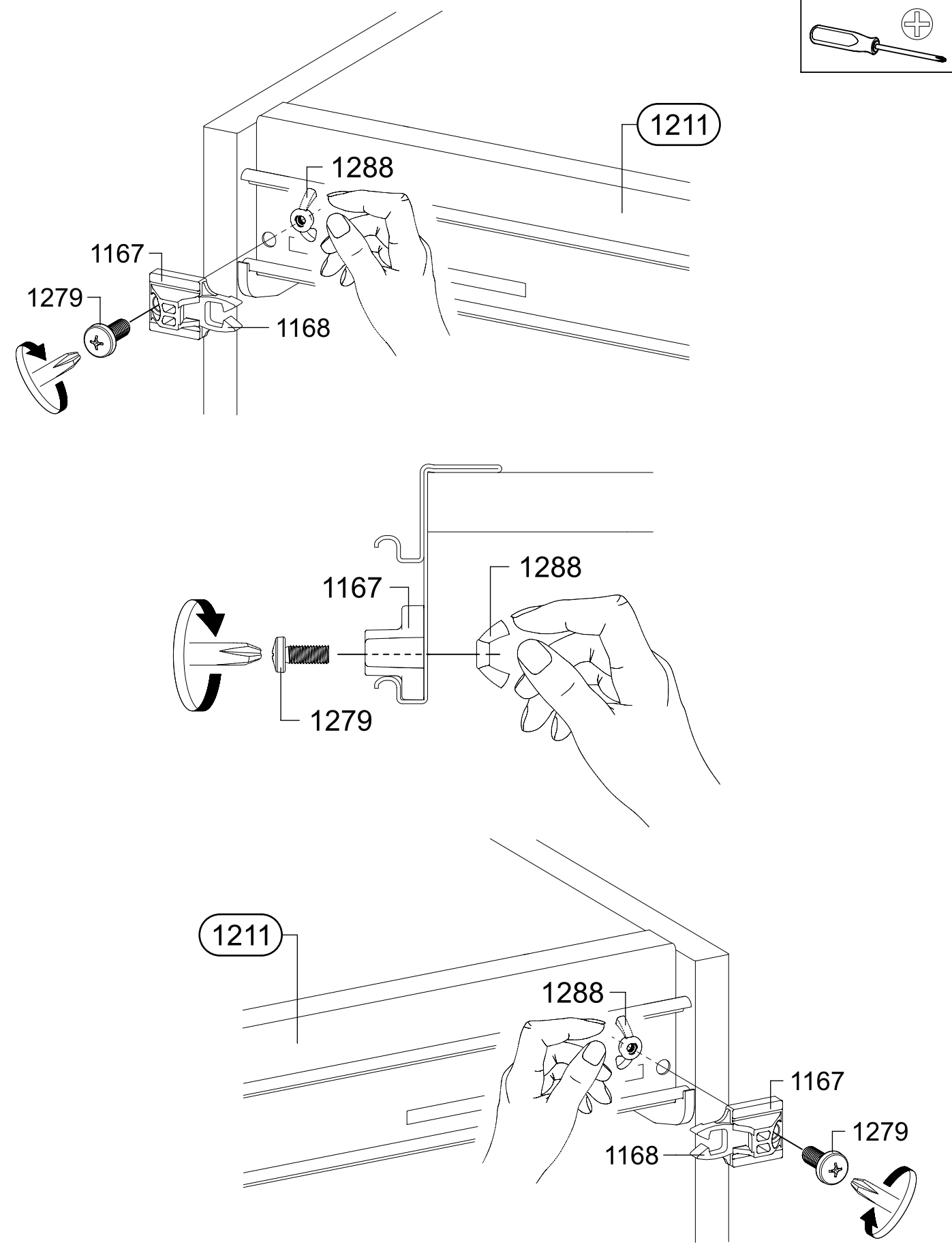
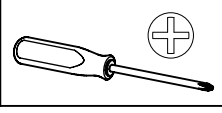
M5x12



2x 1288



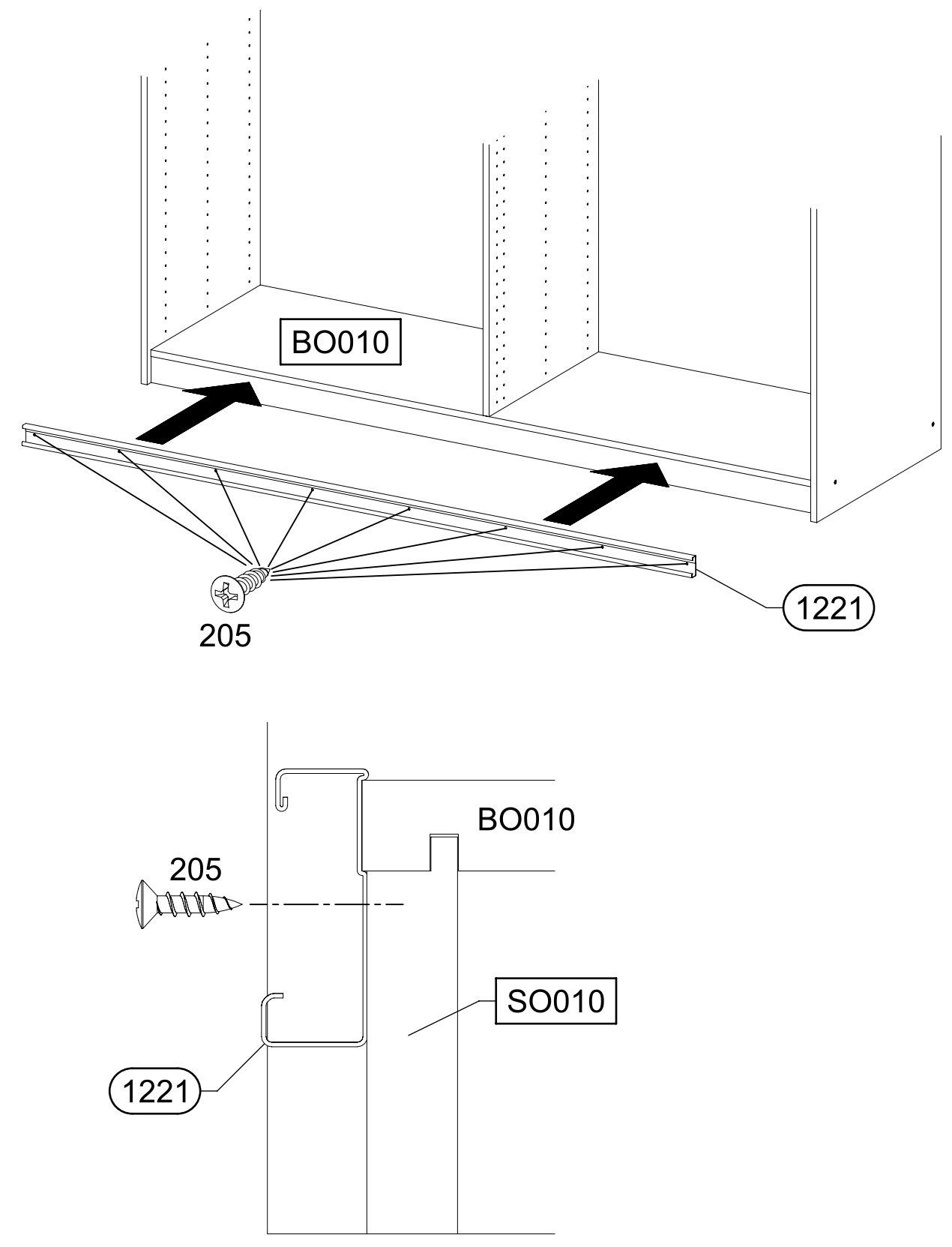
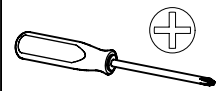
M5



19

8x 205

3,5x15

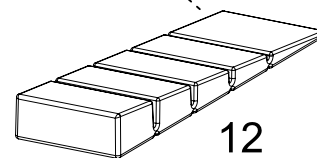
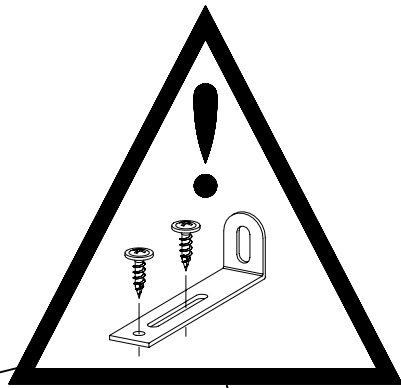
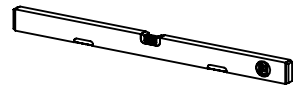
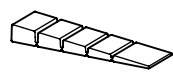


20

2x

12

55x16x6,2

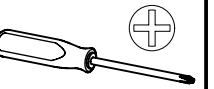
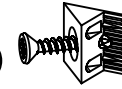


12

21

8x

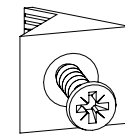
45



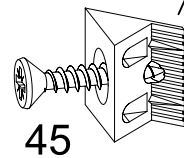
SE010

MS010

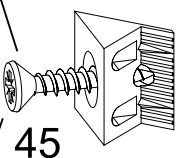
SE020



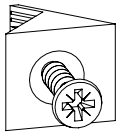
45



45

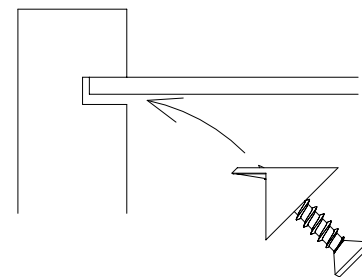


45

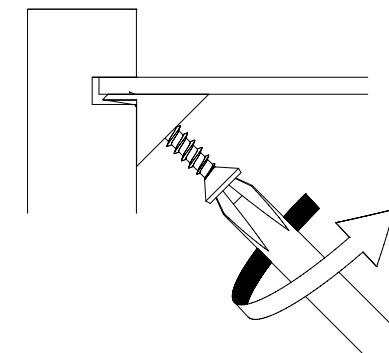


45

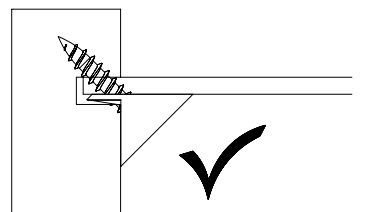
1.



2.

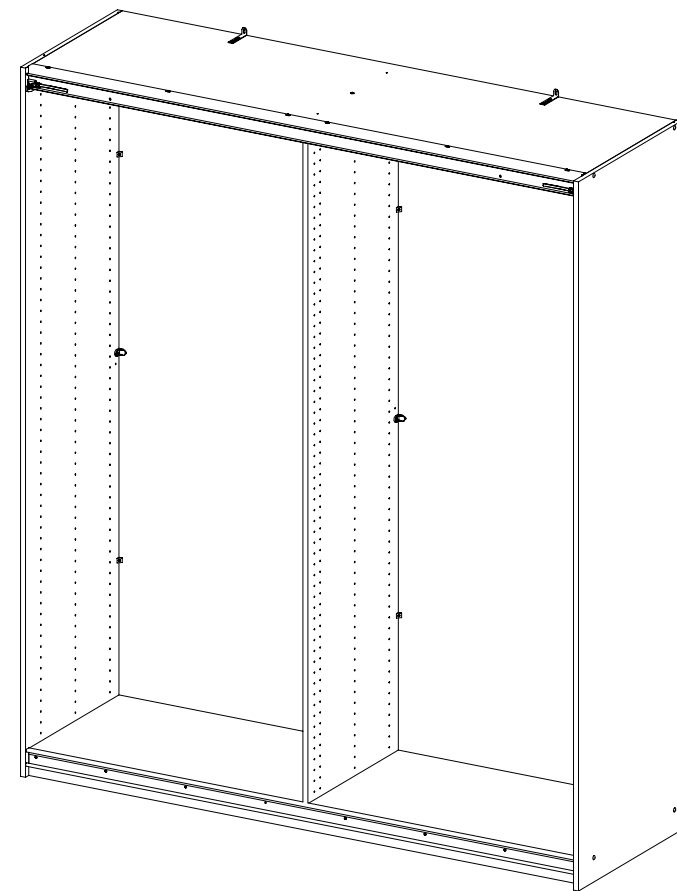
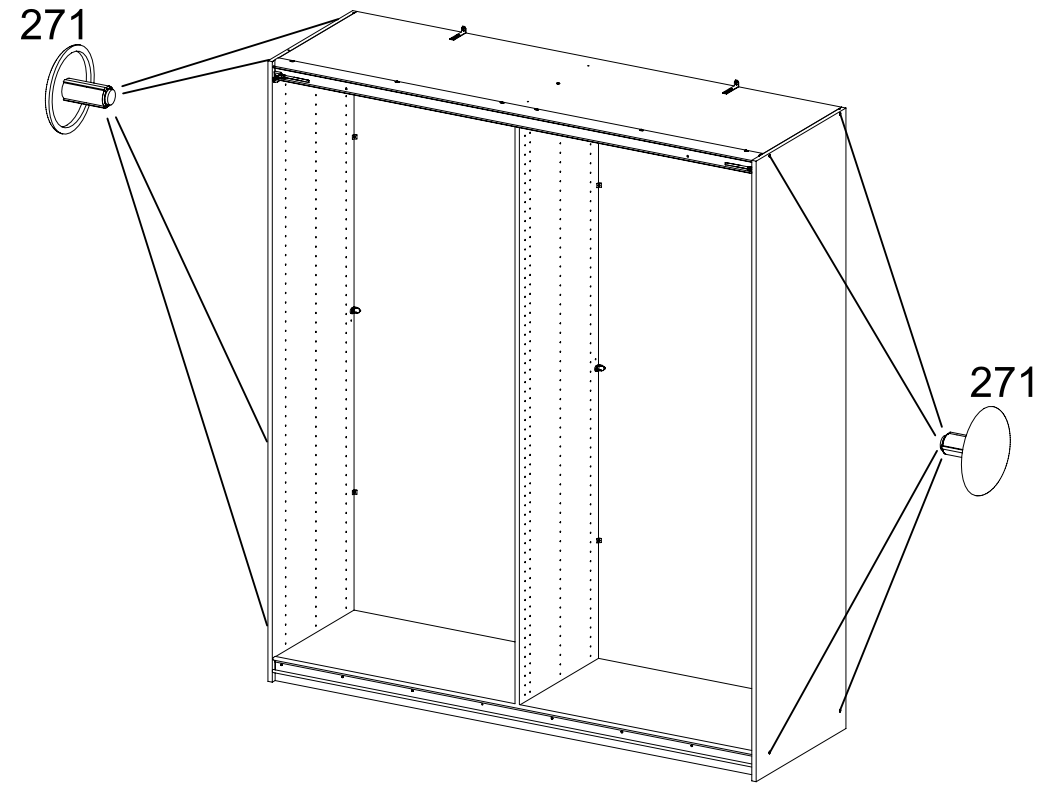


3.



22

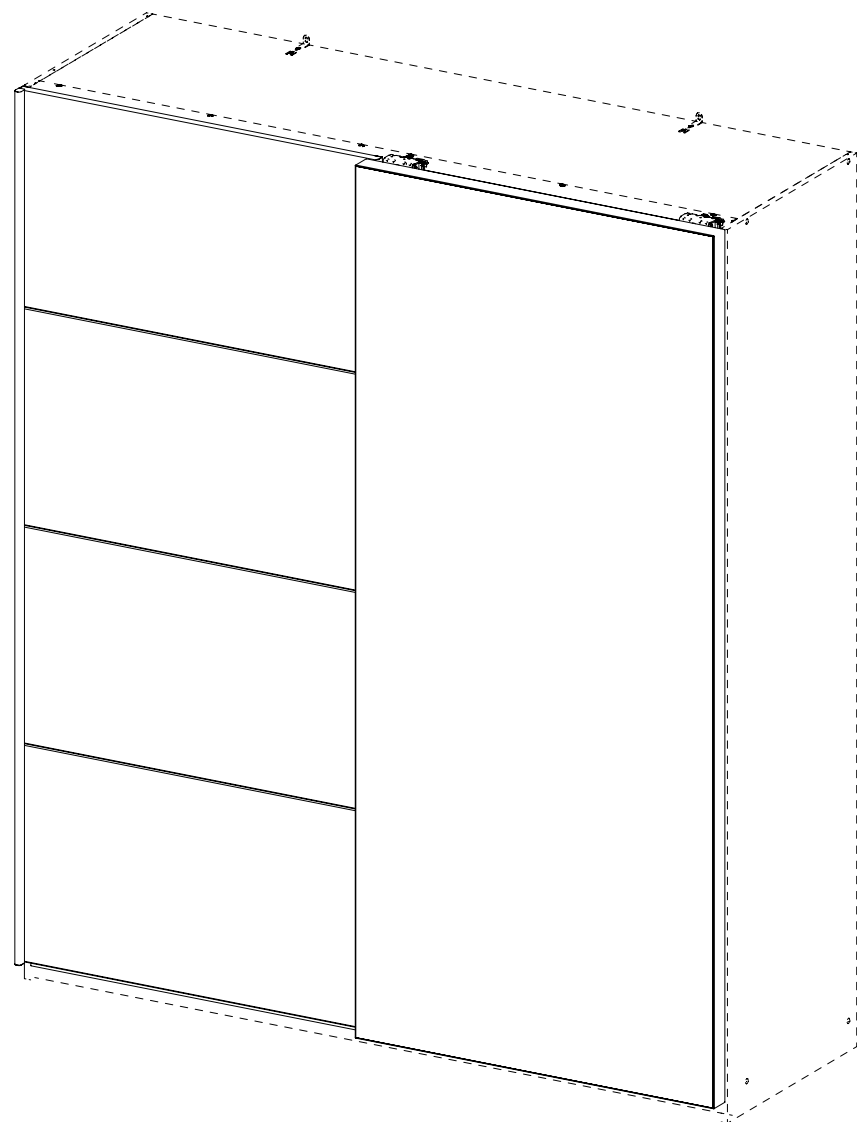
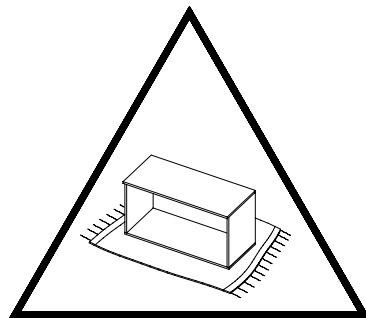
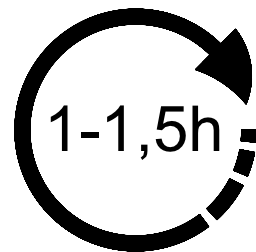
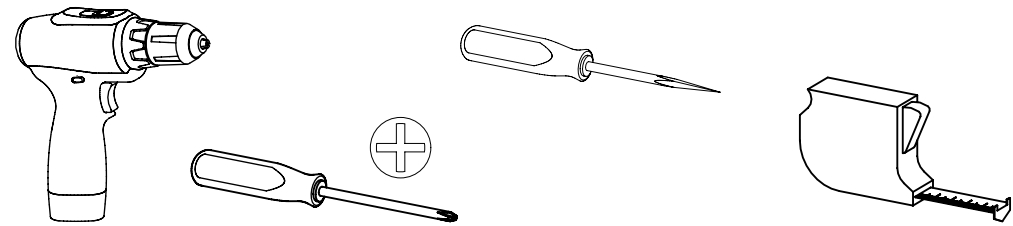
8x 



1.

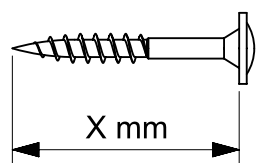
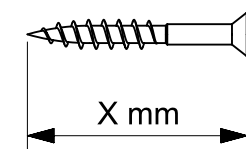
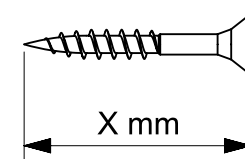
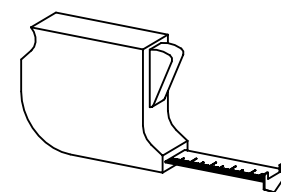
M9987_02

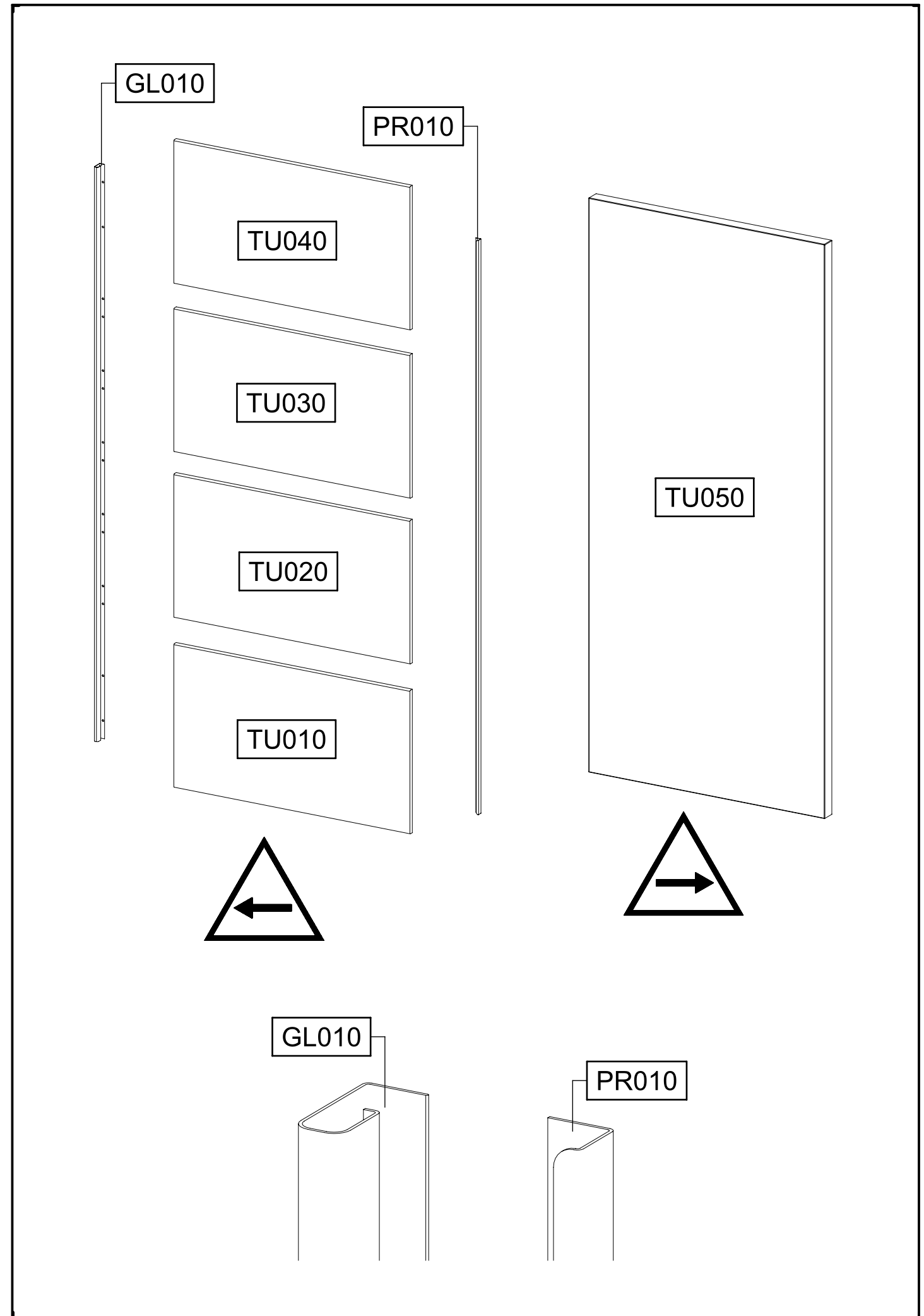
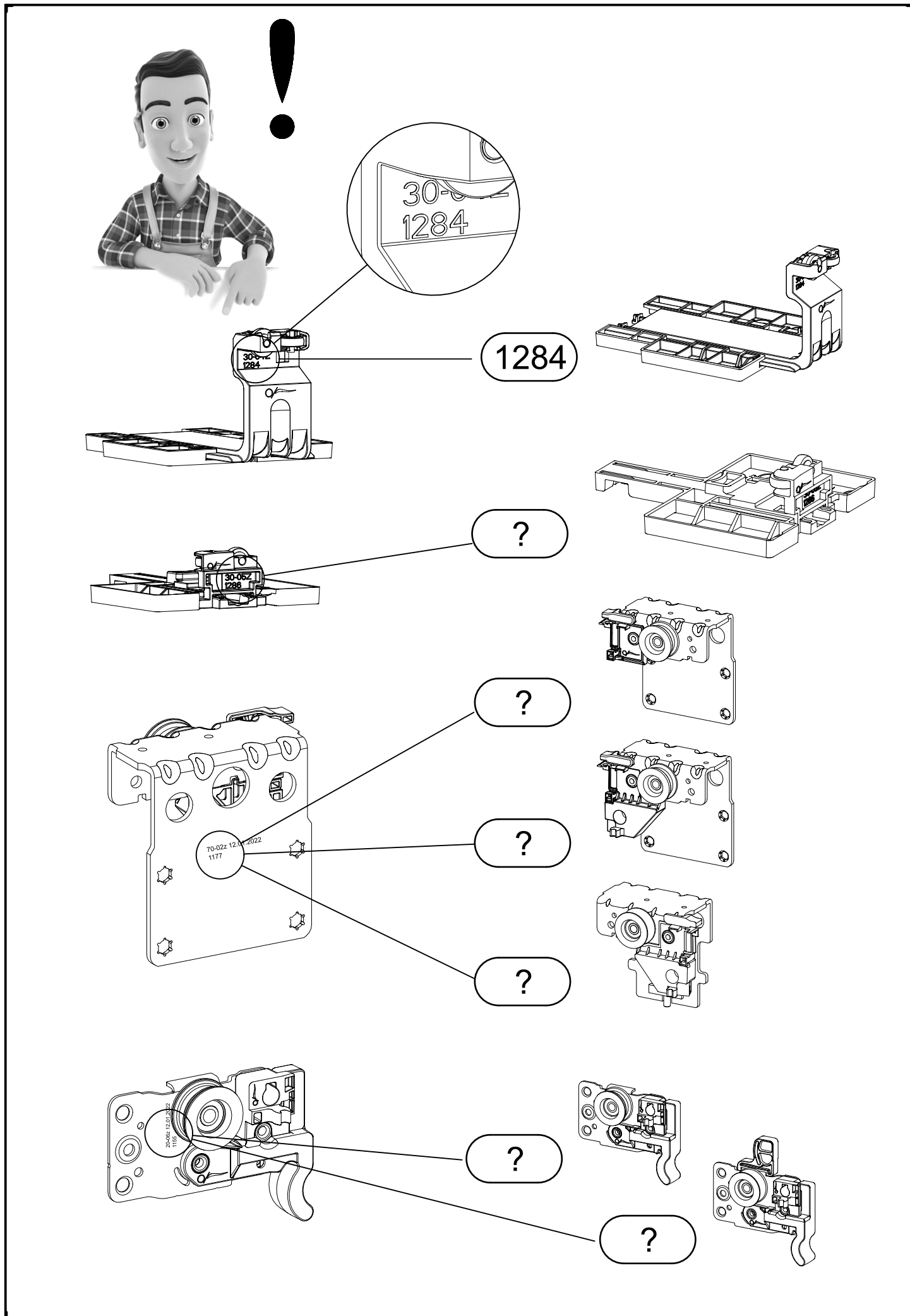
rauch

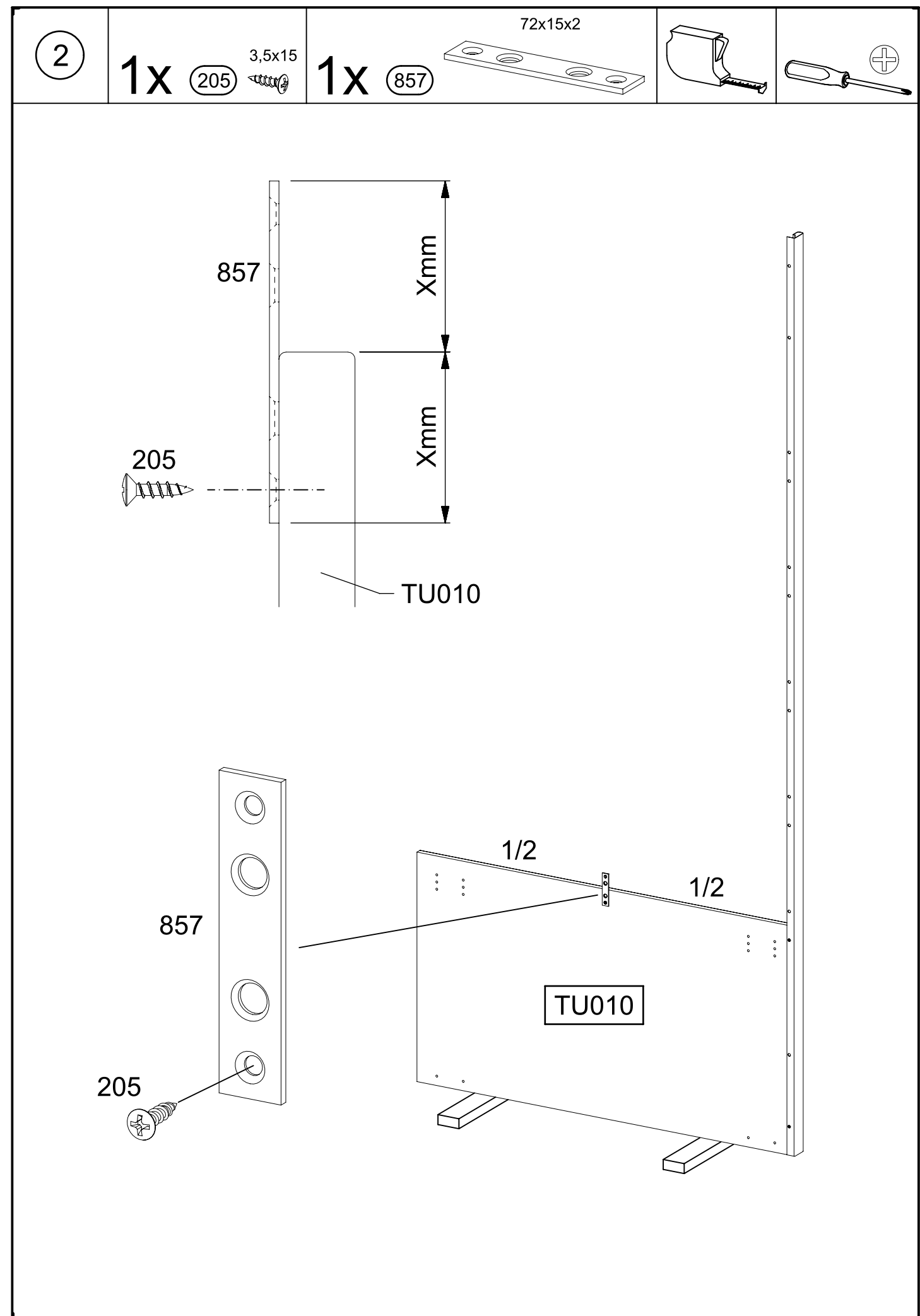
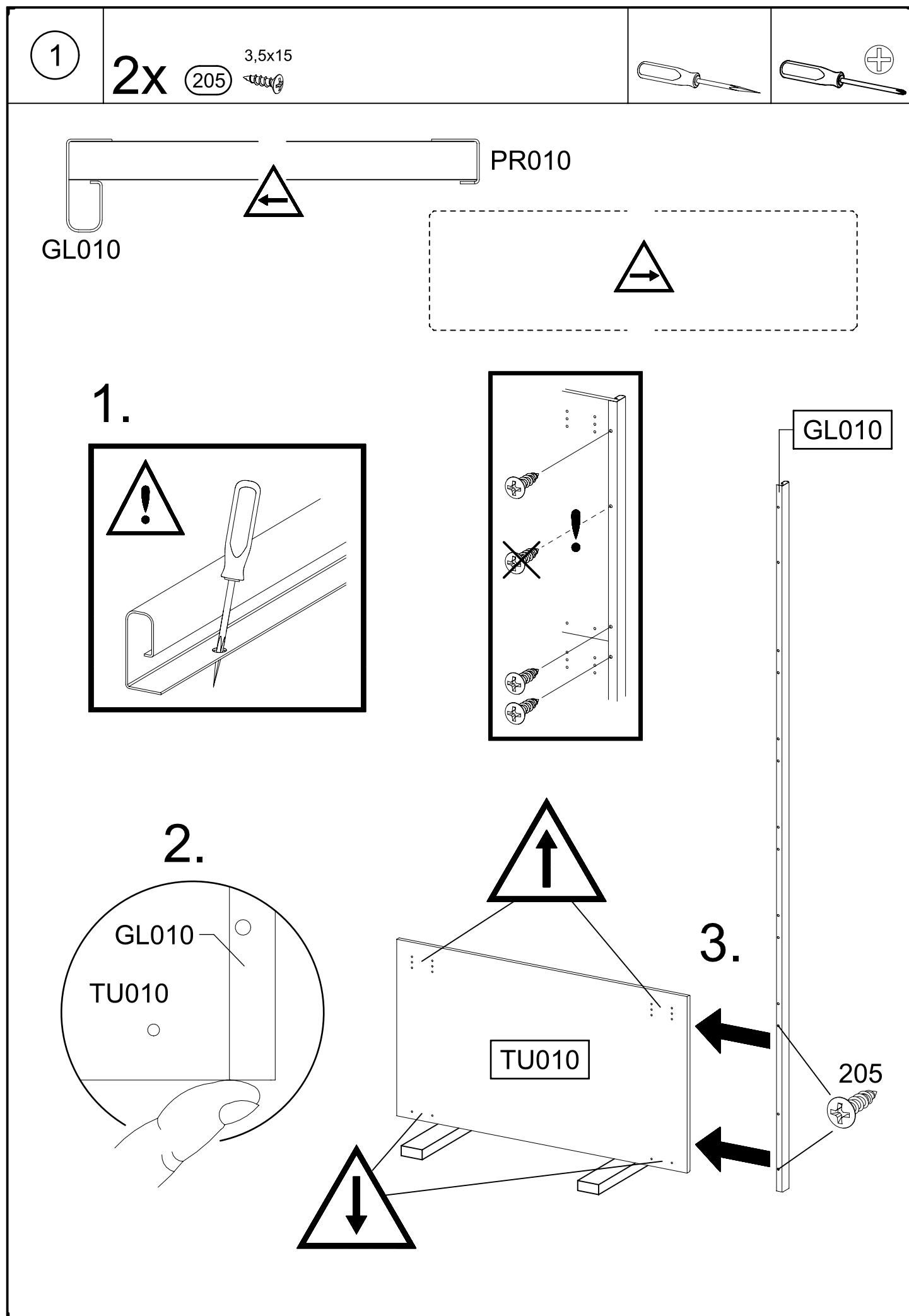


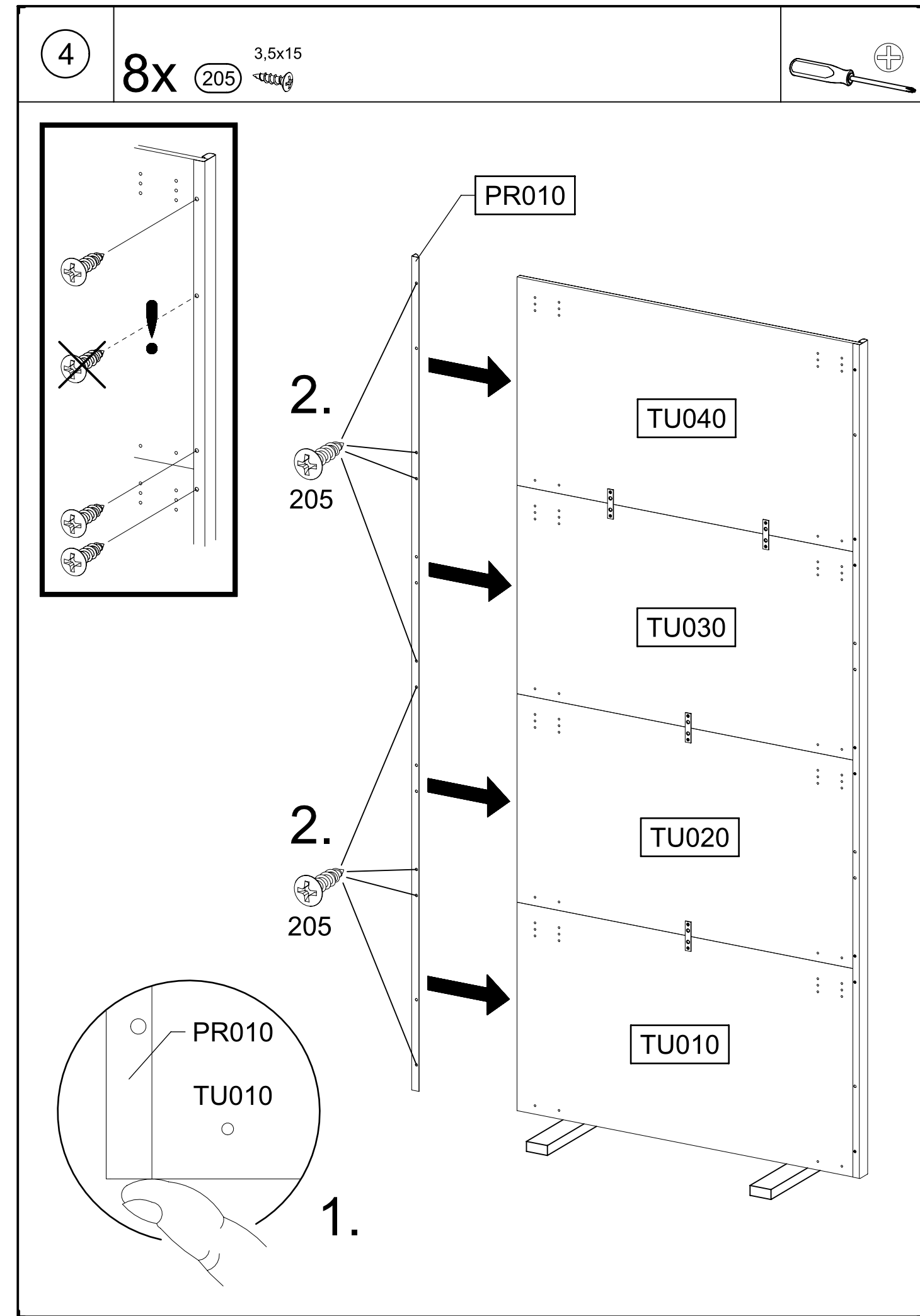
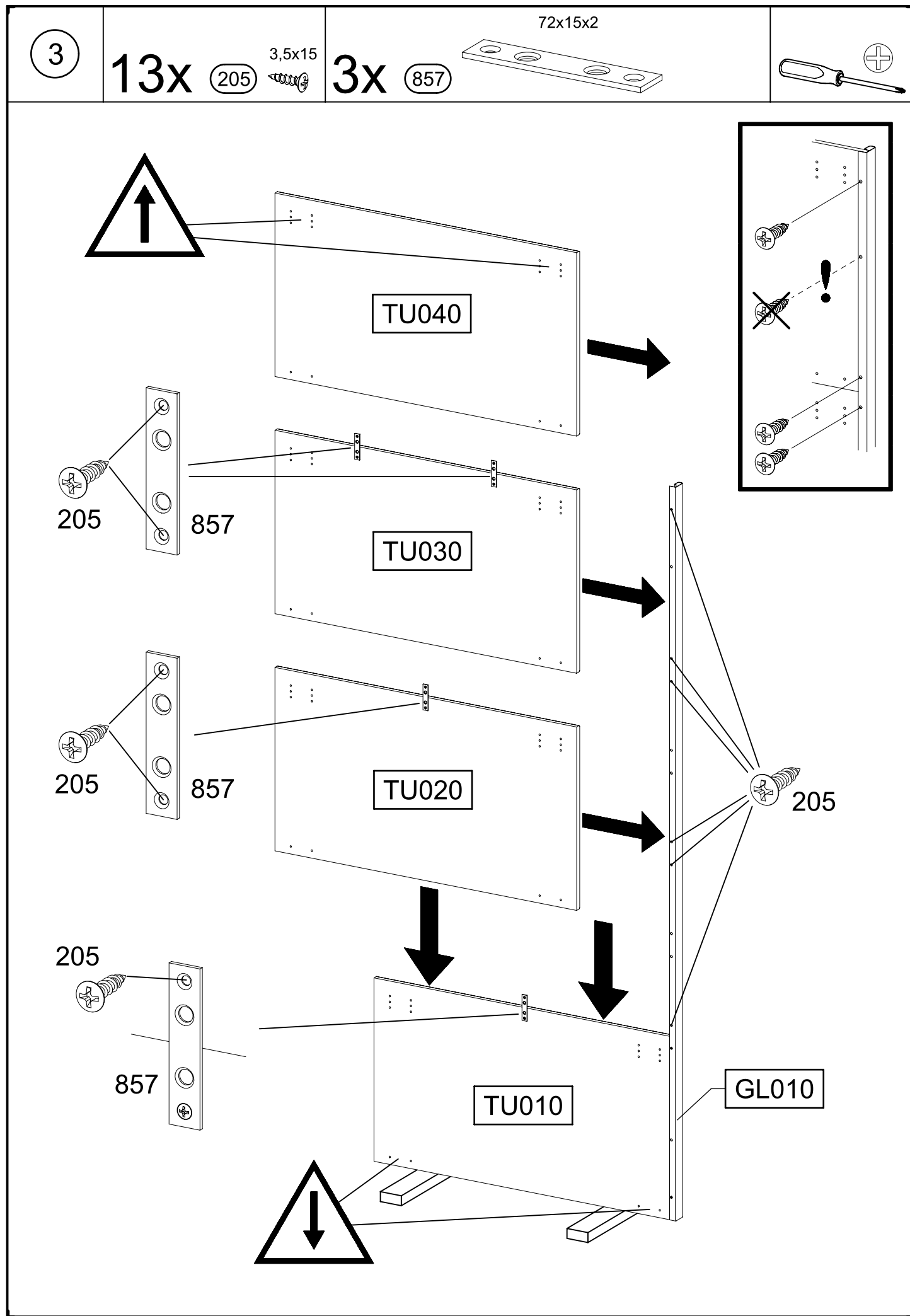
2.

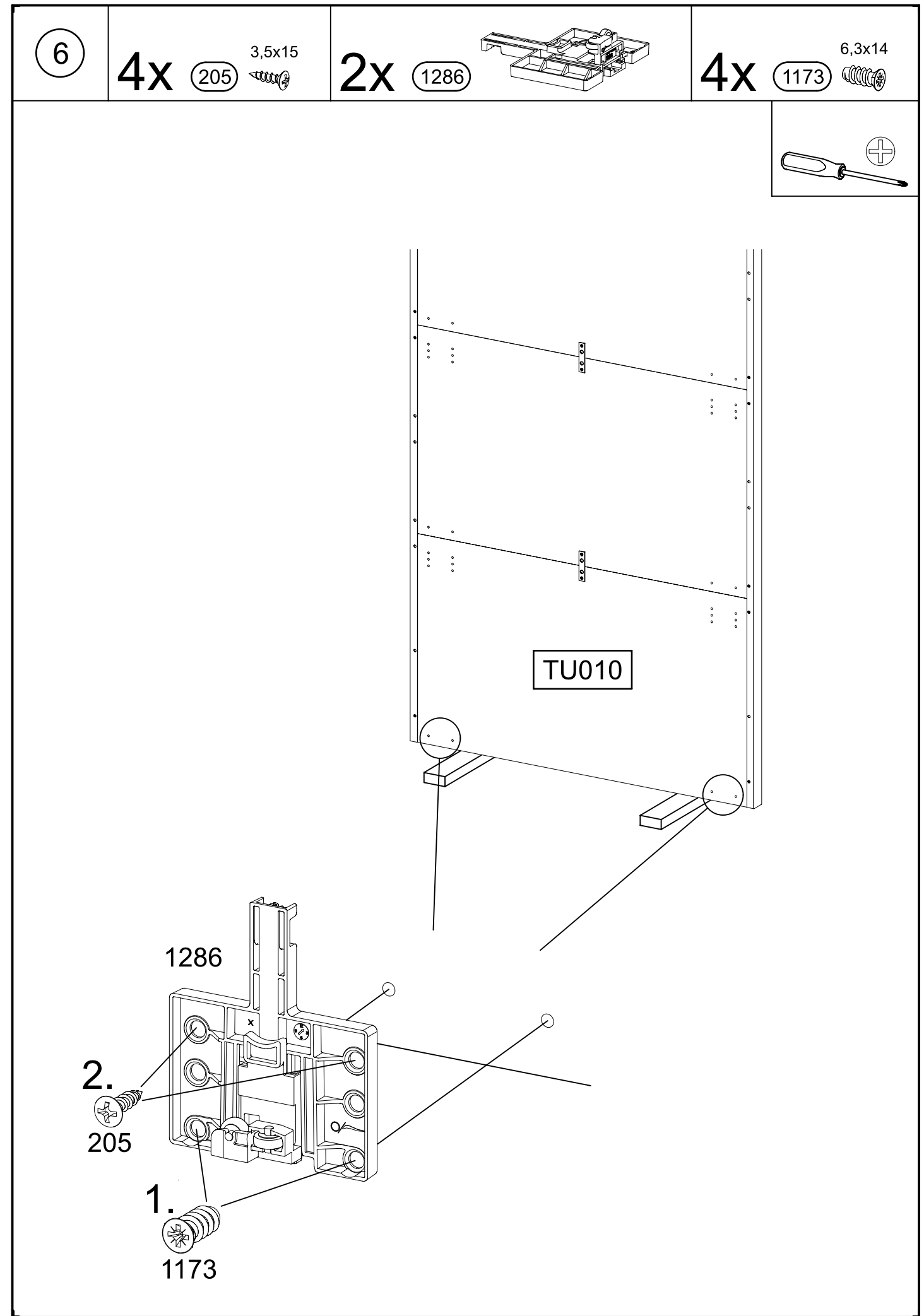
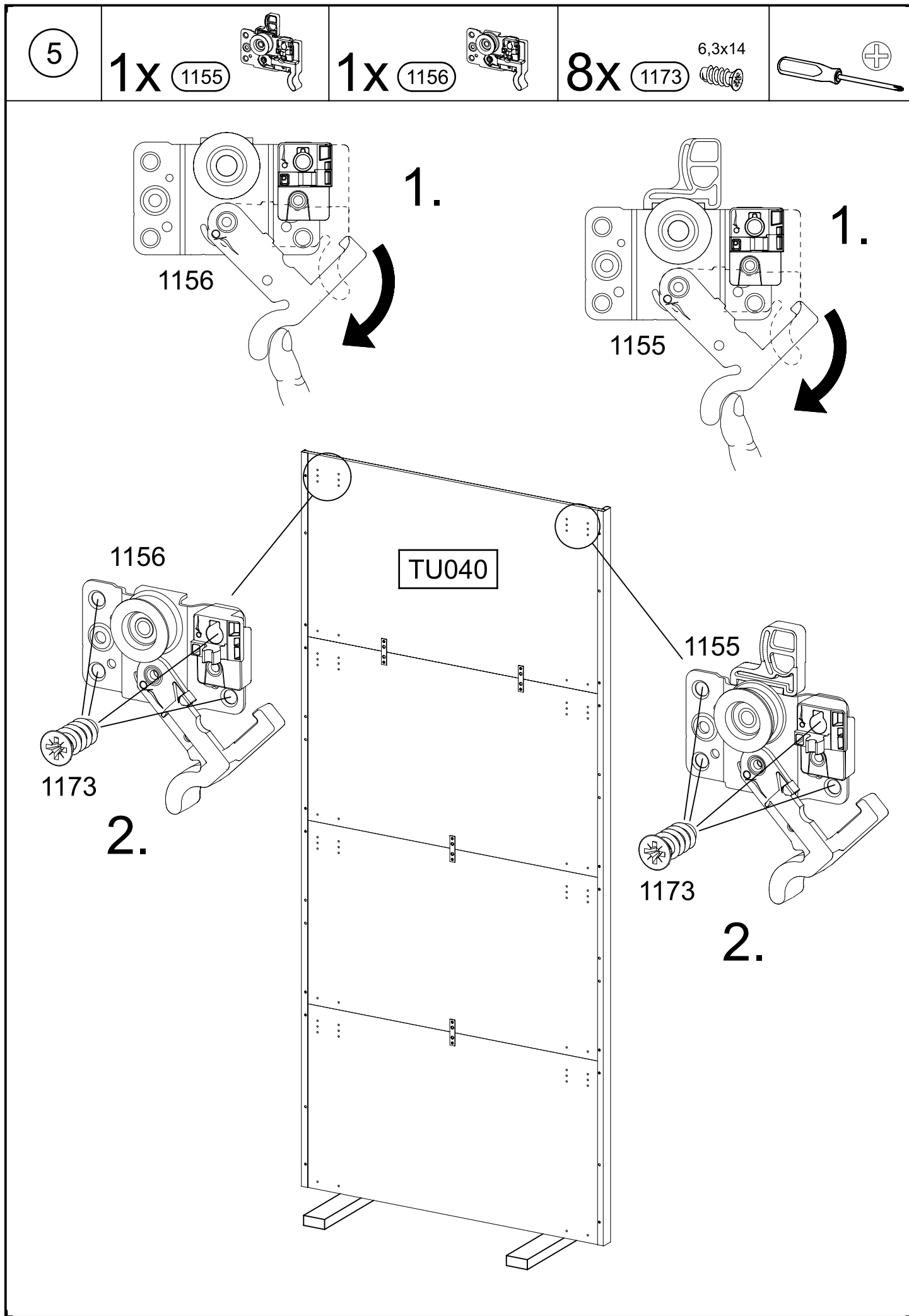
| | | |
|---------------------------|--------------------------|--------------------------|
| 2x 144 | 32x 205 3,5x15 | 4x 857 72x15x2 |
| 1x 1155 | 1x 1156 | |
| 2x 1284 | 2x 1286 | |
| 24x 1173 6,3x14 | 1x 1177 | 1x 1178 |

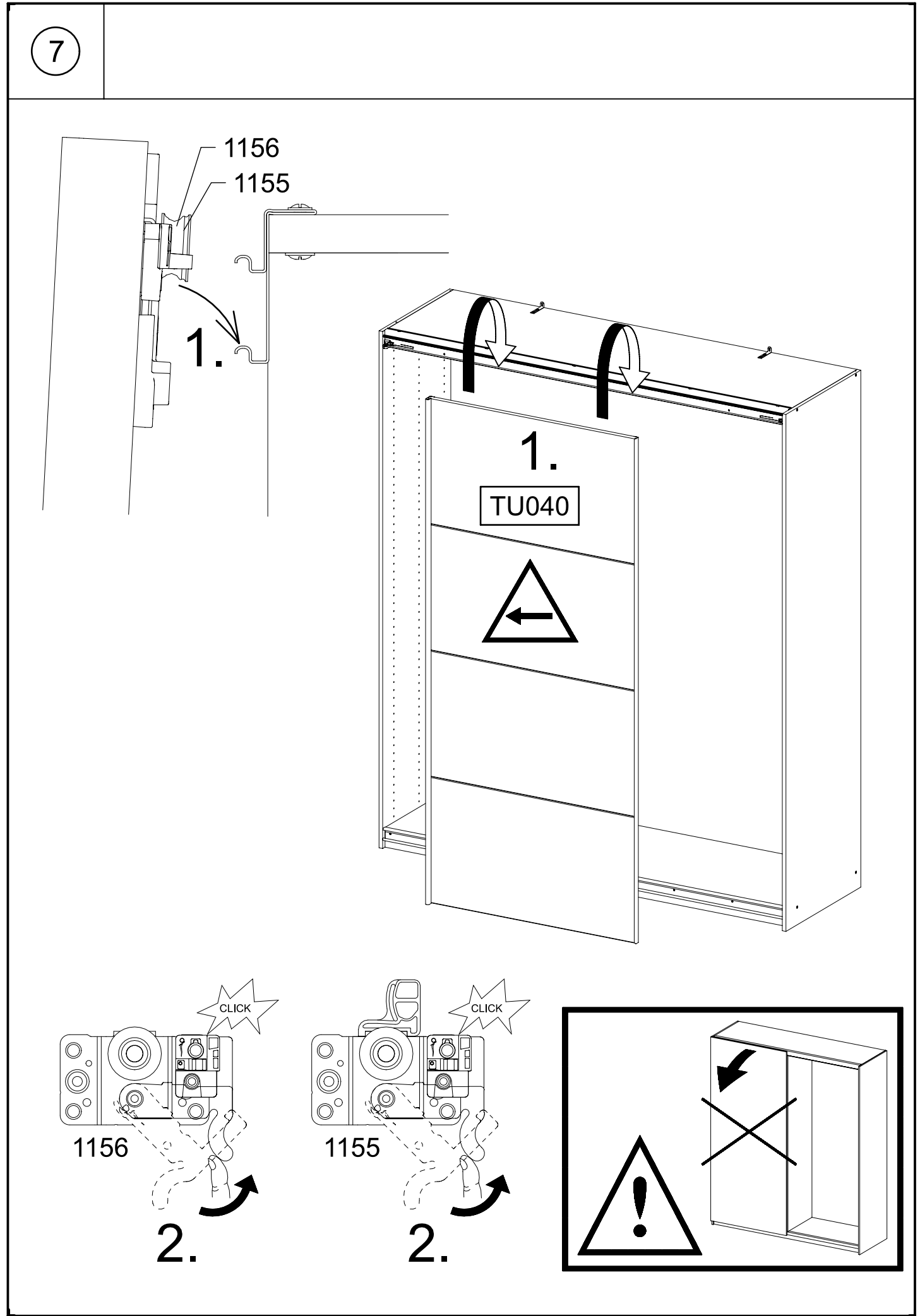
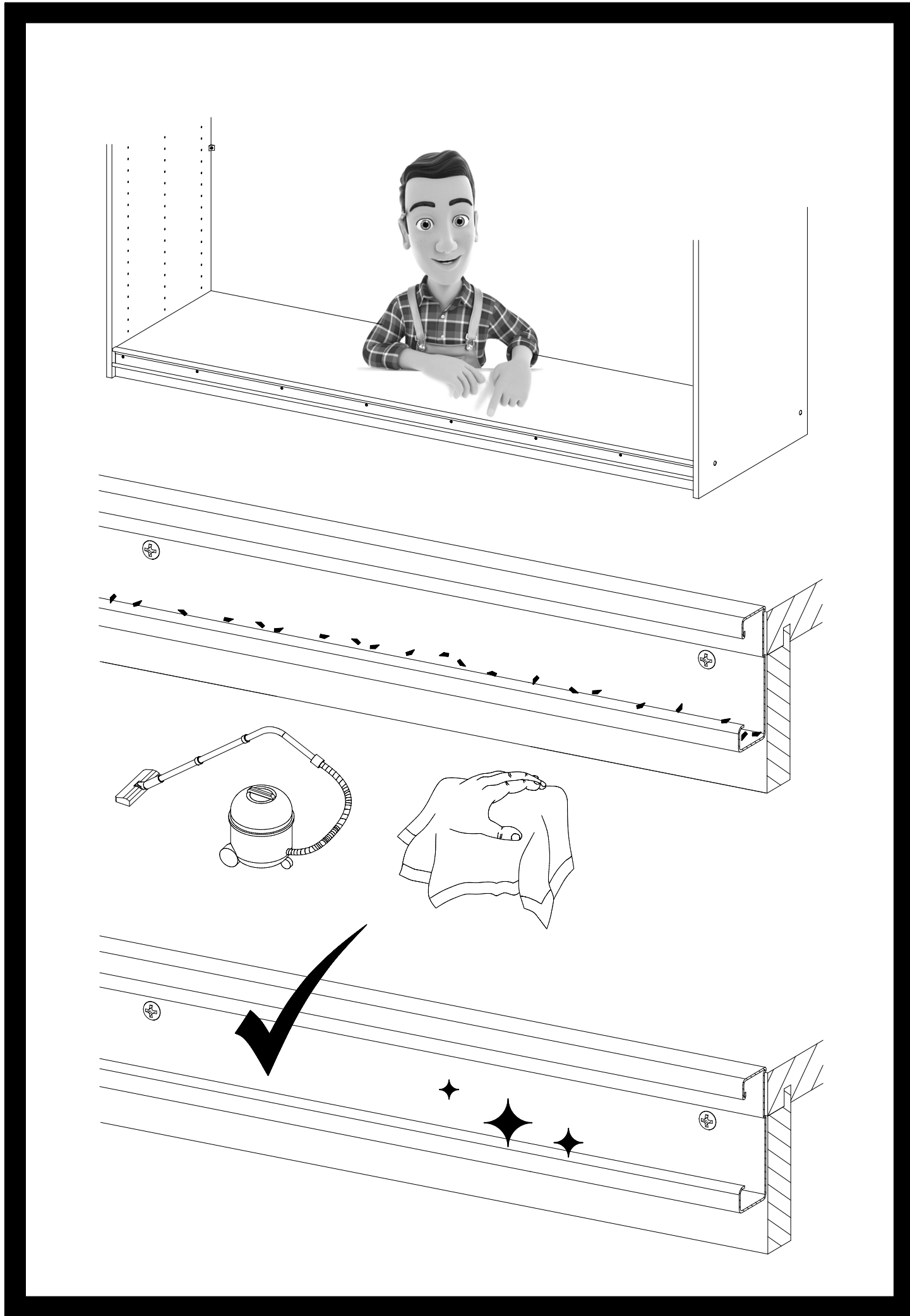




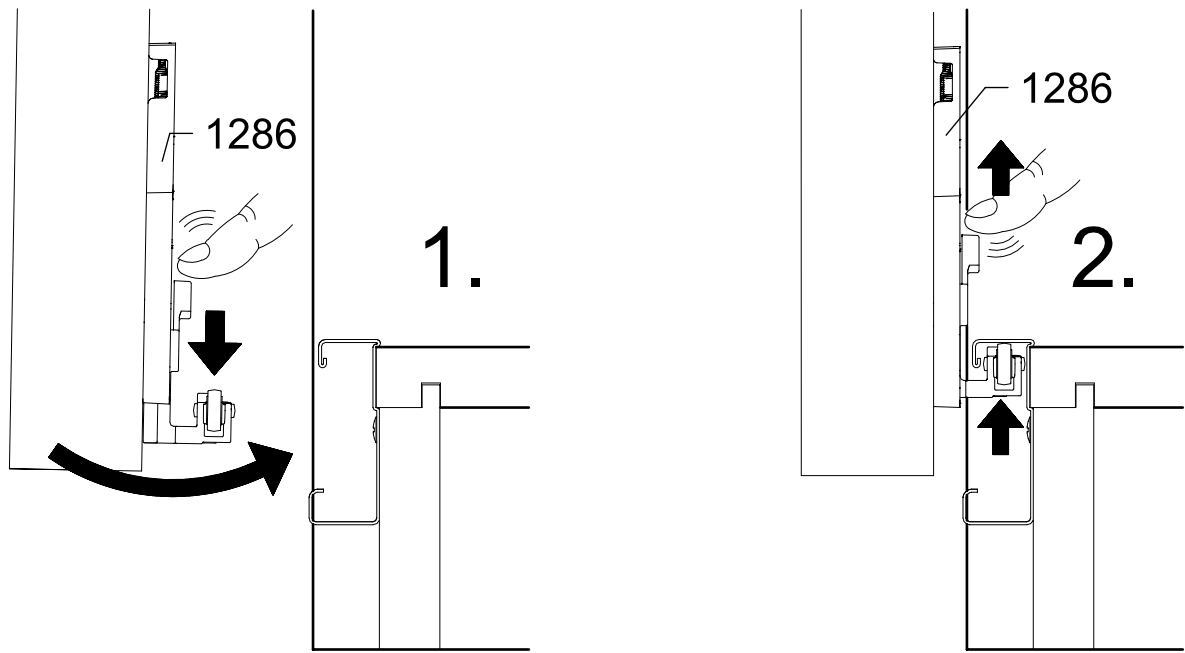
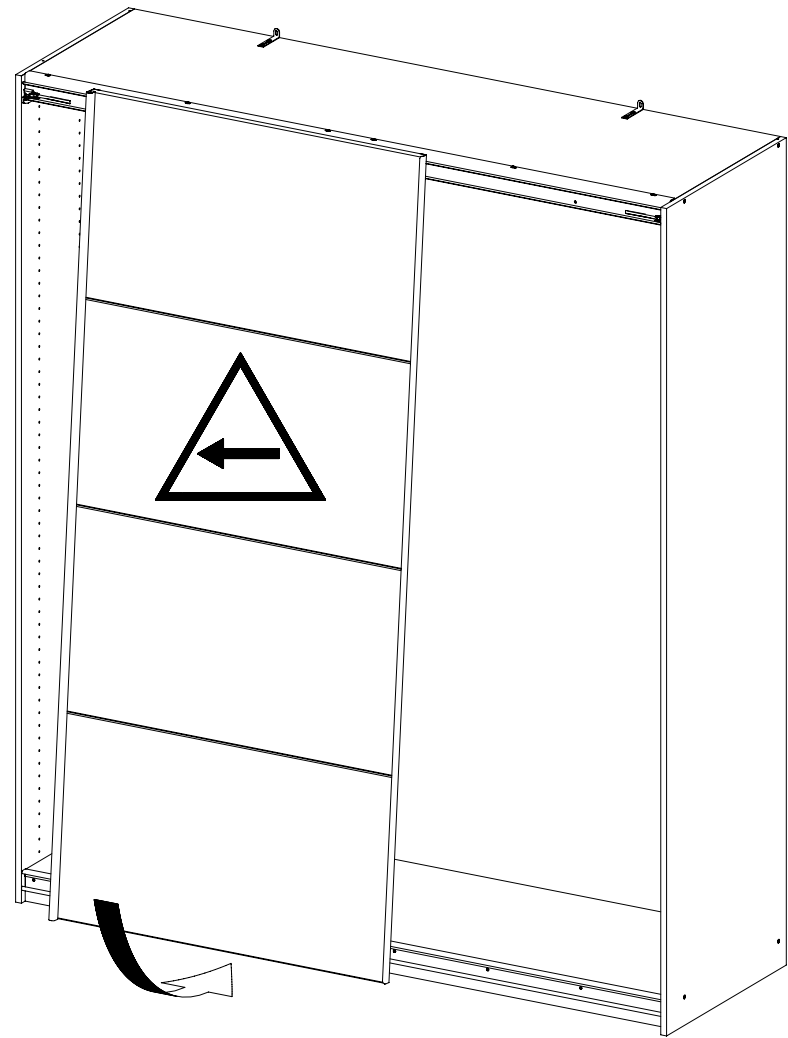








8



9

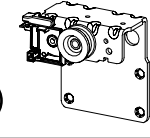
8x

6,3x14



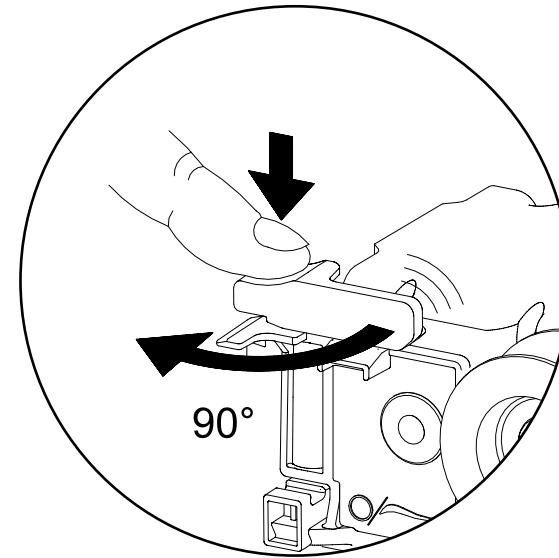
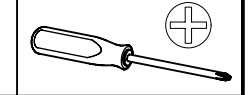
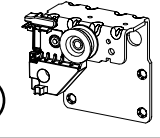
1x

1177

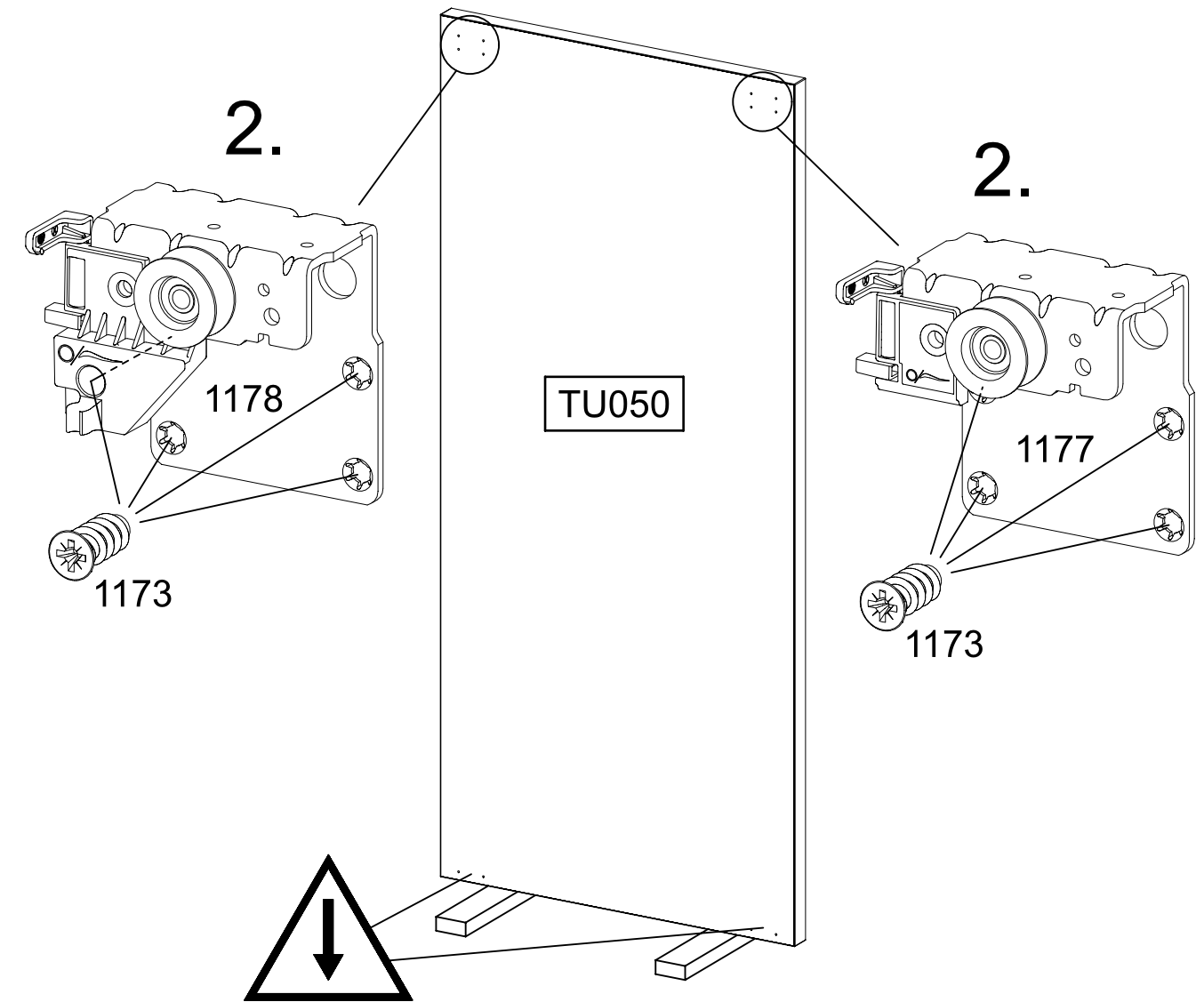
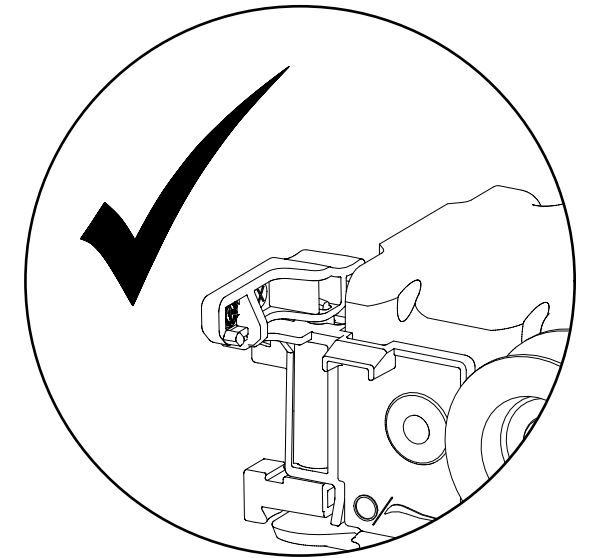


1x

1178



1.



TU050

10

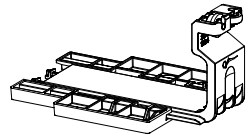
4x

205

3,5x15

2x

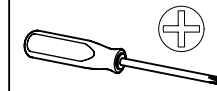
1284



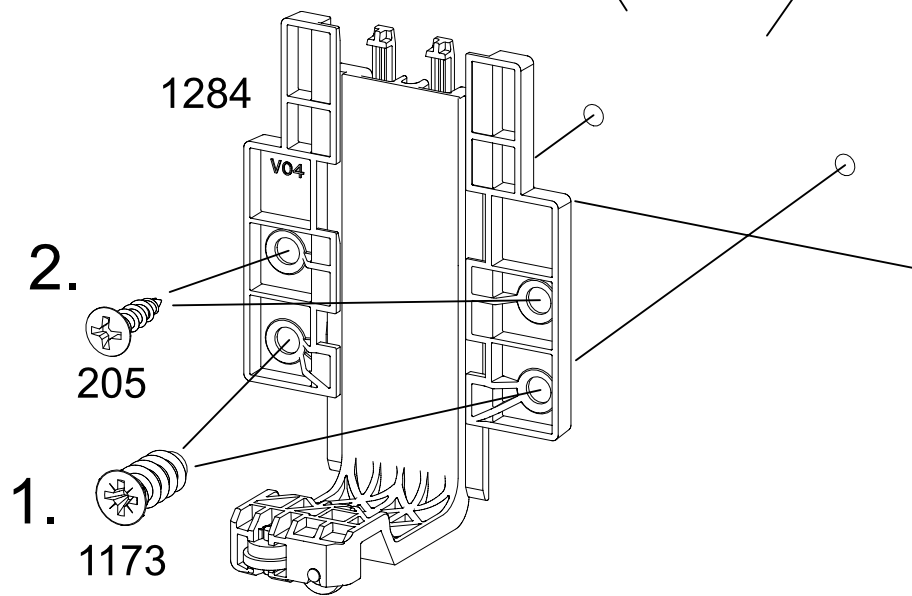
4x

1173

6,3x14



TU050



11

1177 1178

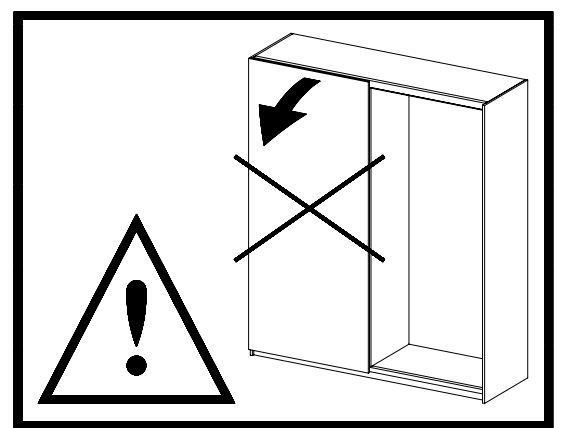
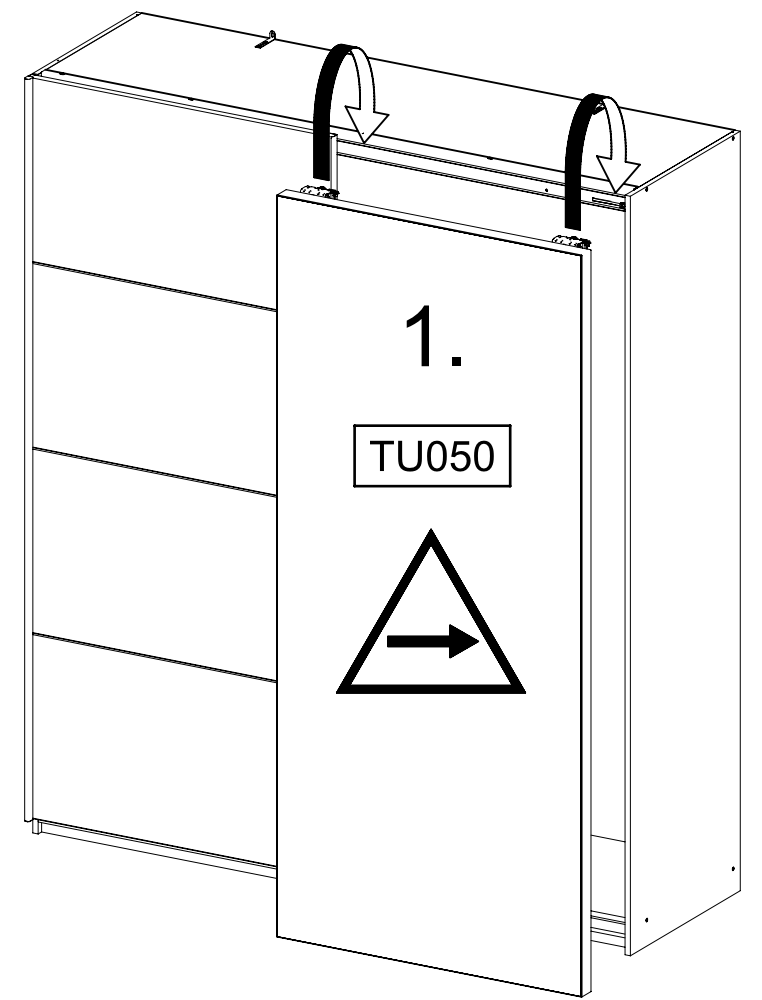
1.

1178 1177

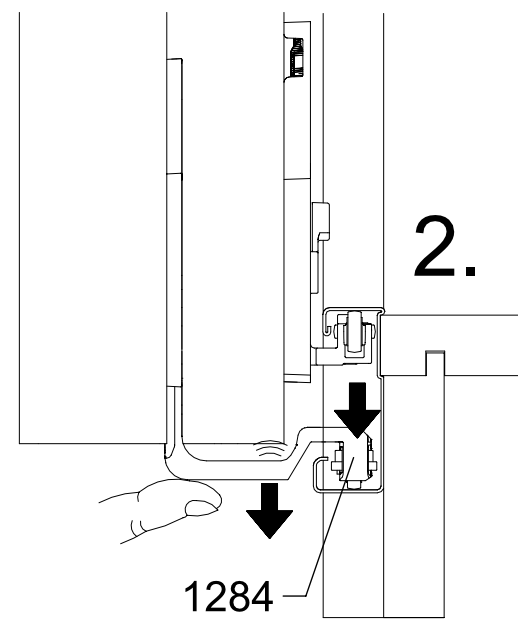
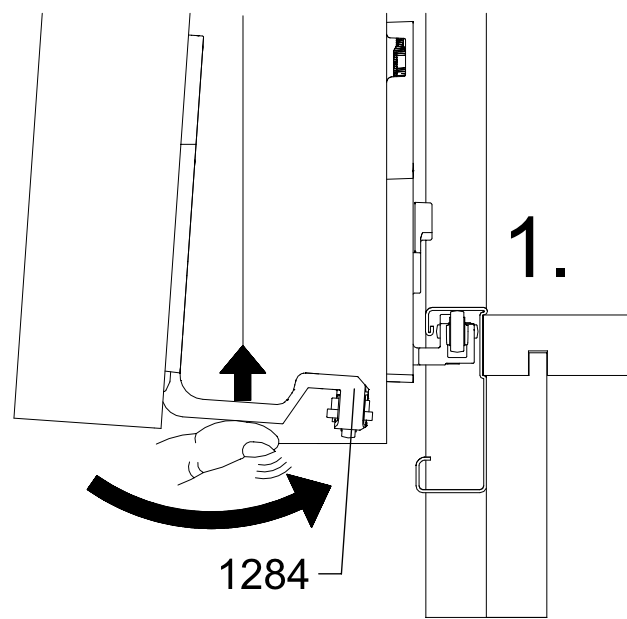
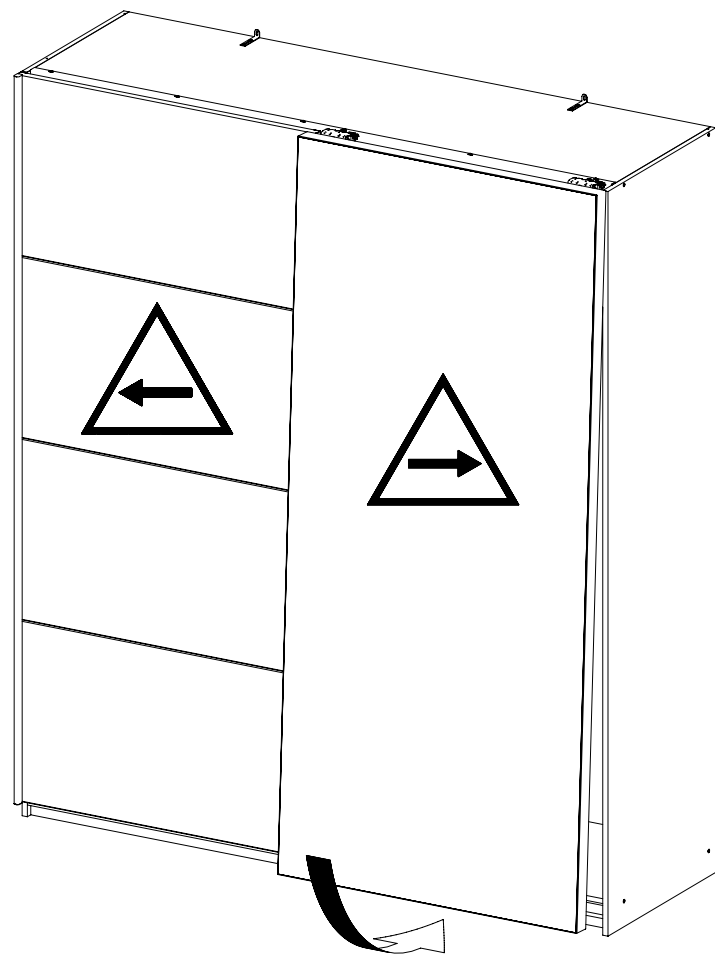
90°

2.

1177 1178

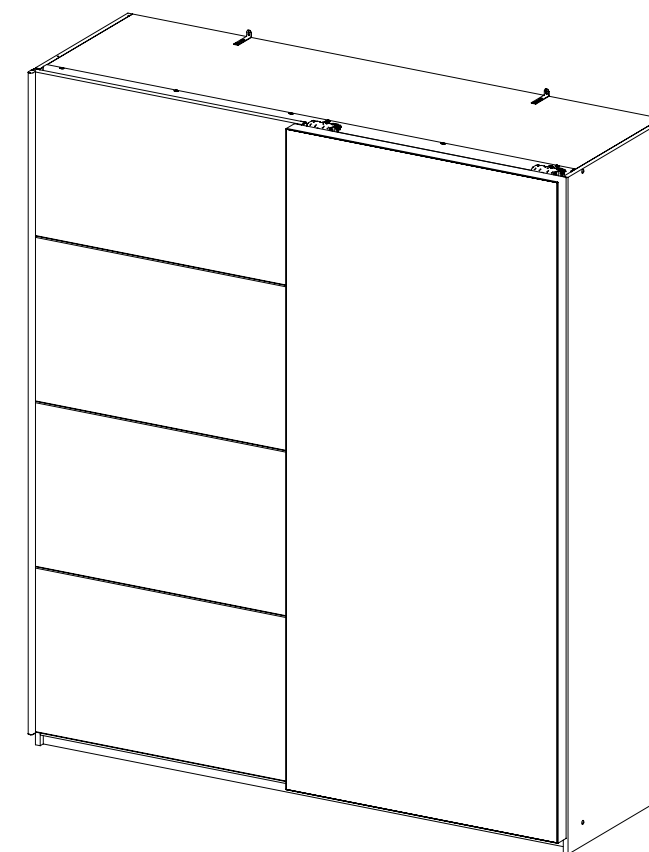
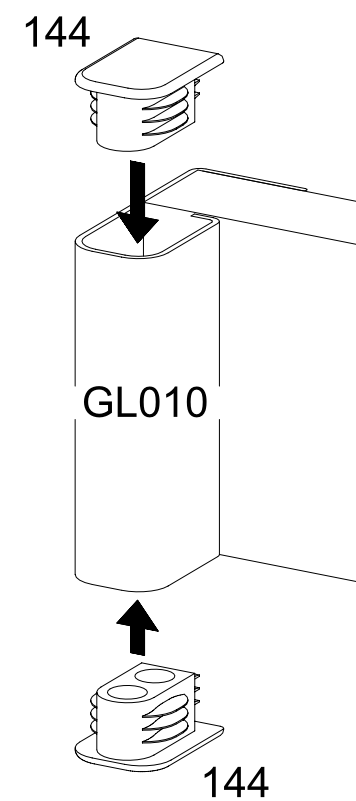
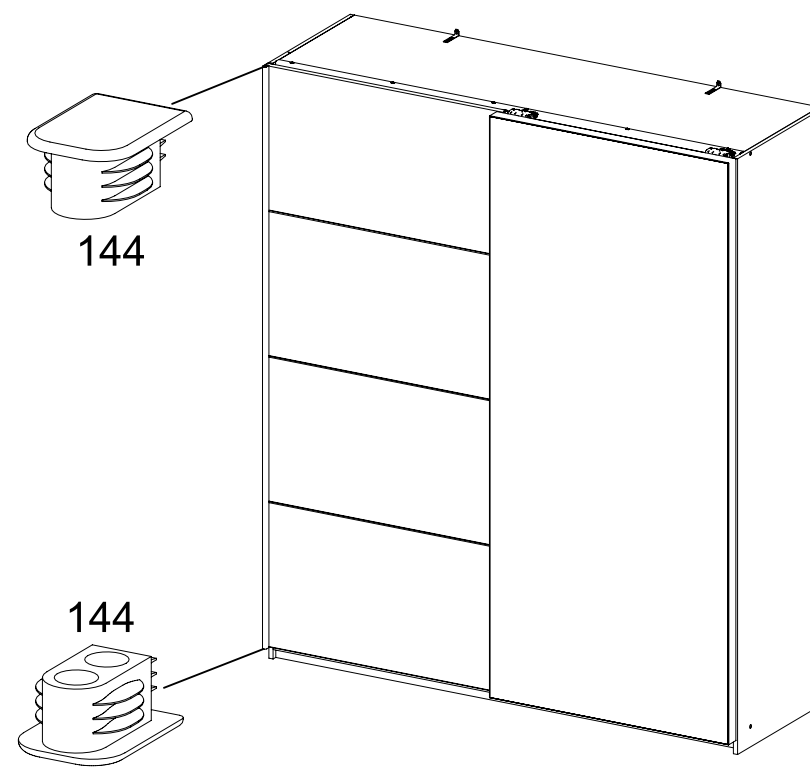


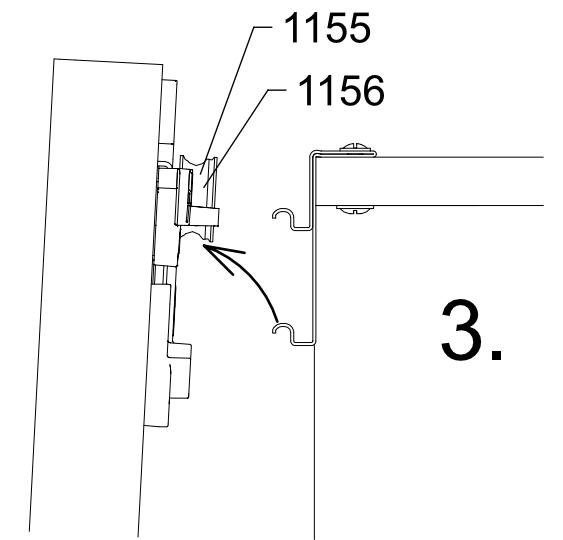
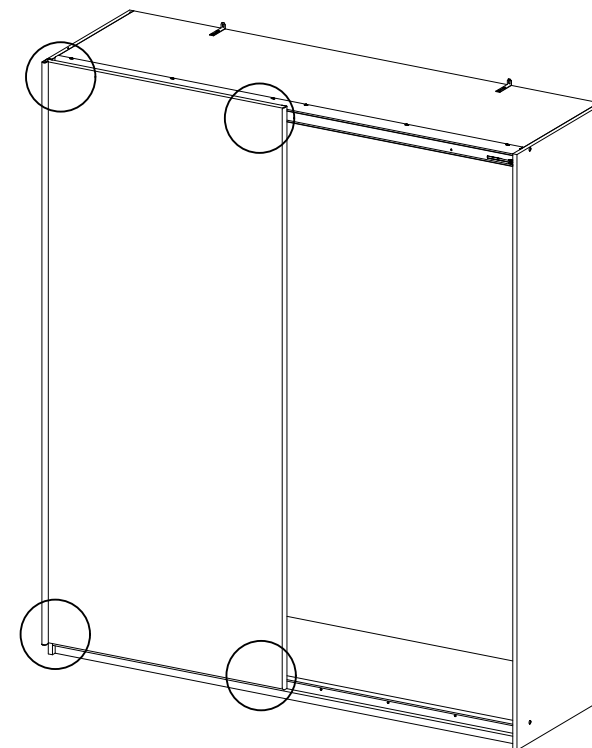
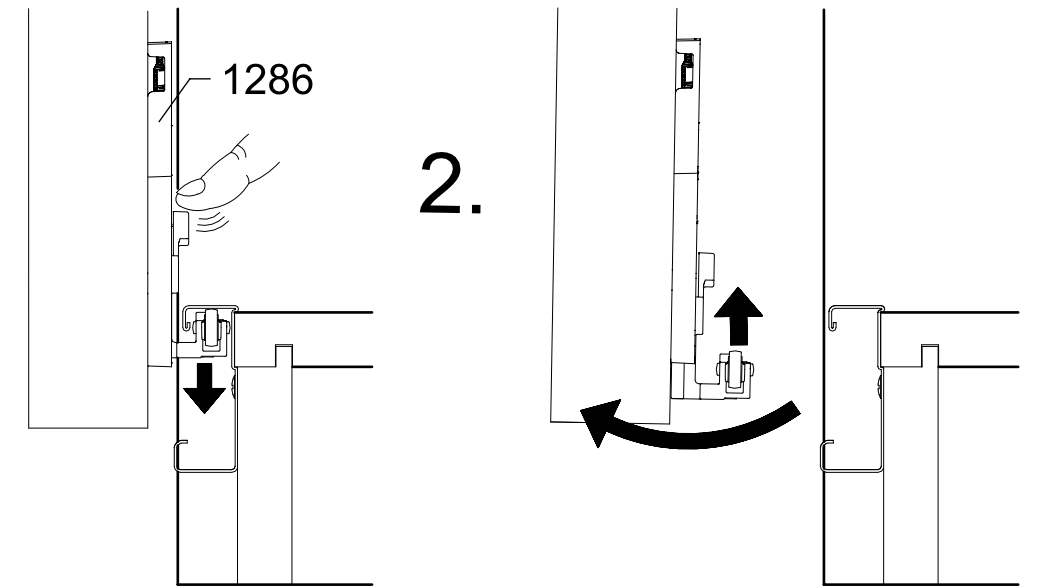
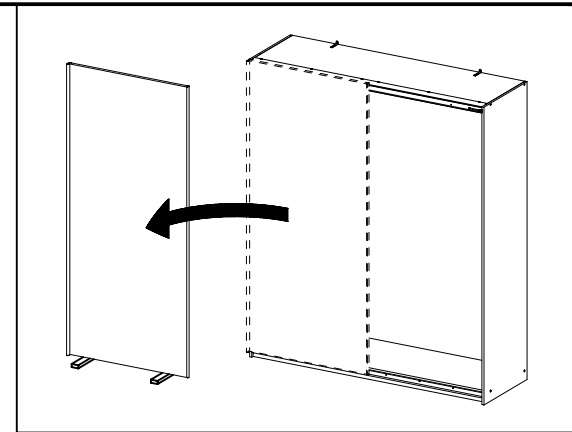
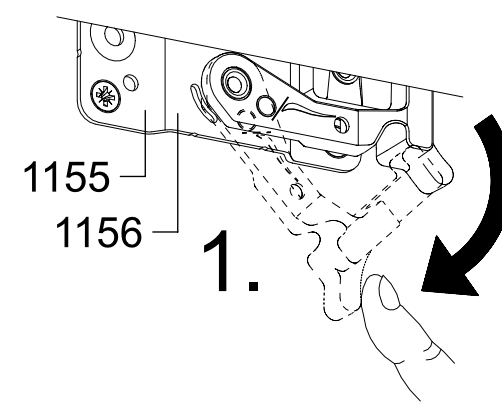
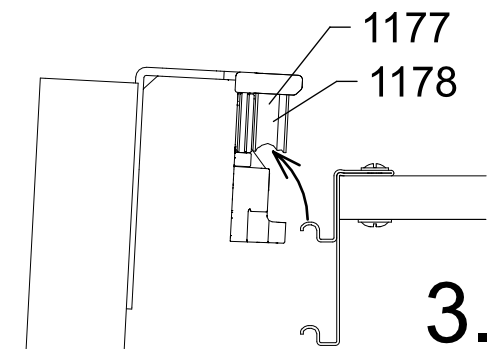
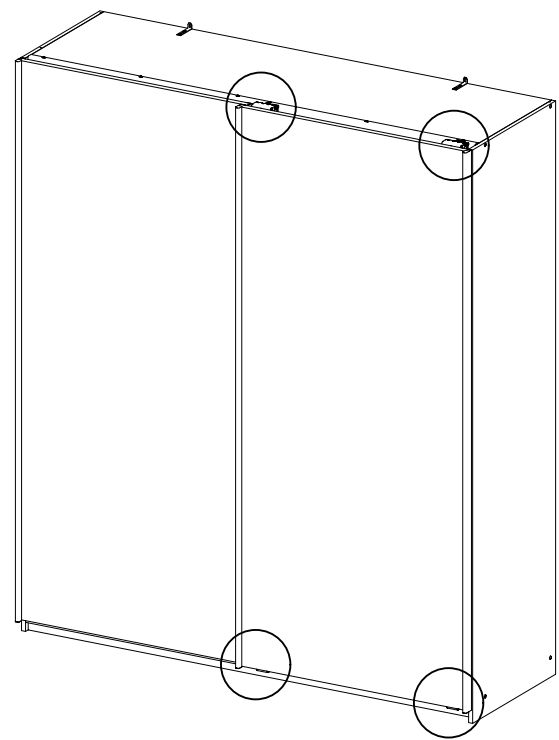
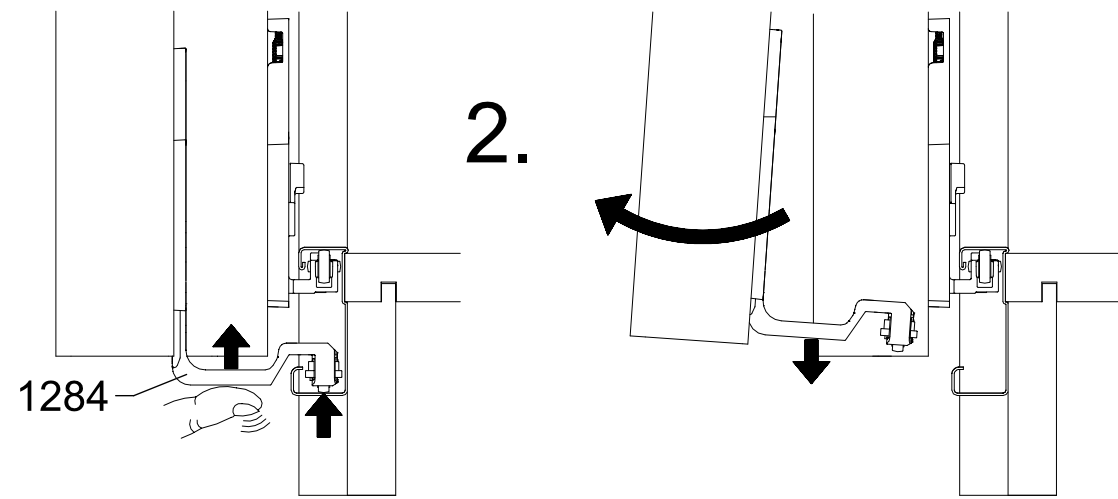
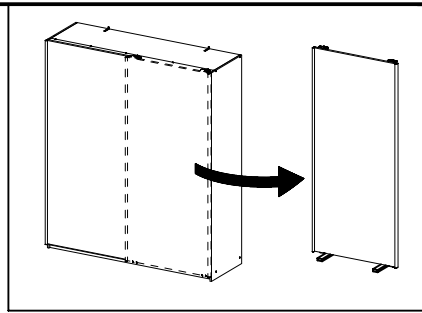
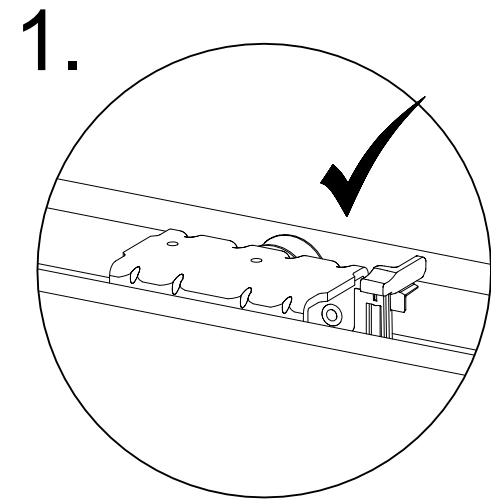
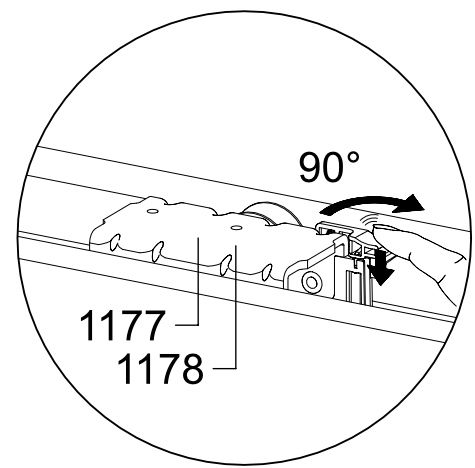
12



13

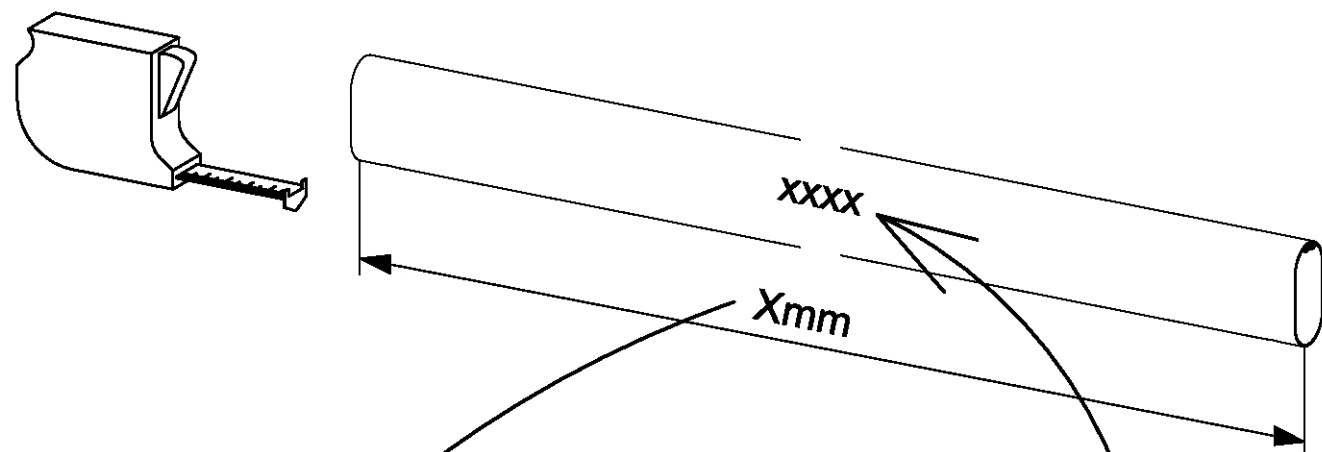
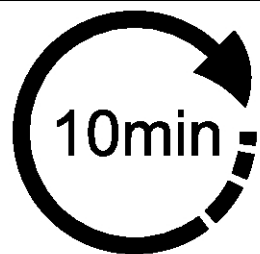
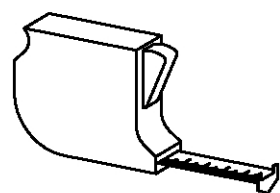
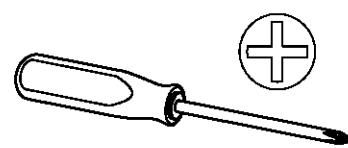
2x 144





MZ110_02

rauch



| Xmm | | xxxx |
|--------|-----------|------|
| 393mm | max. 40kg | 2000 |
| 426mm | max. 40kg | 2001 |
| 563mm | max. 40kg | 2002 |
| 650mm | max. 40kg | 2003 |
| 809mm | max. 40kg | 2004 |
| 873mm | max. 40kg | 2006 |
| 1097mm | max. 40kg | 2008 |

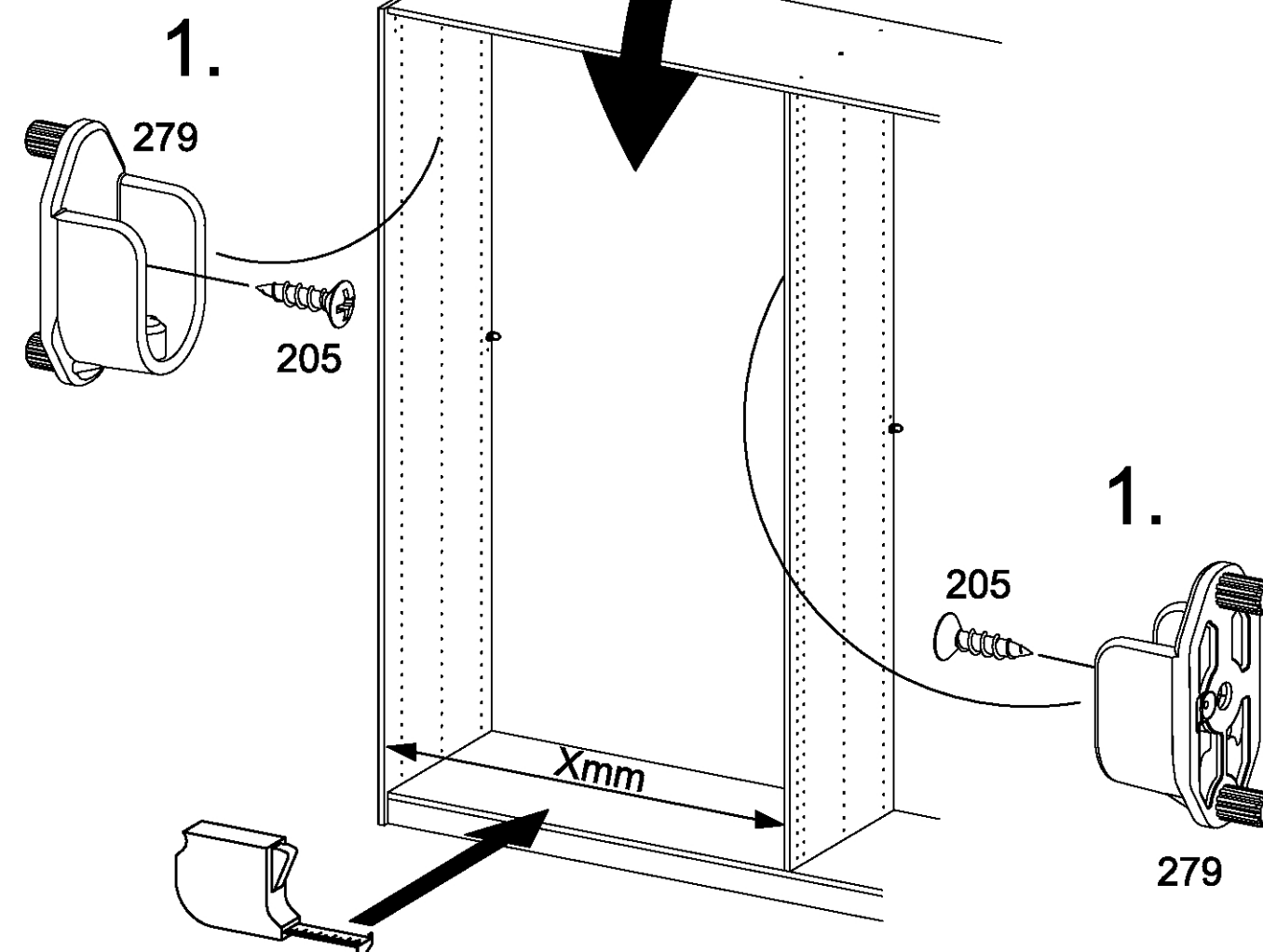
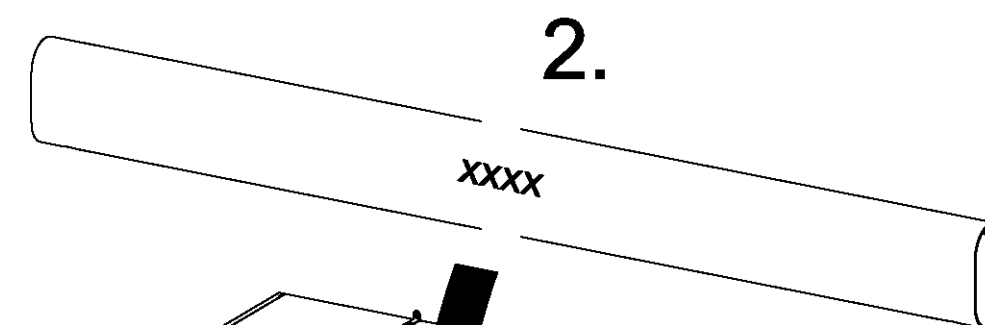
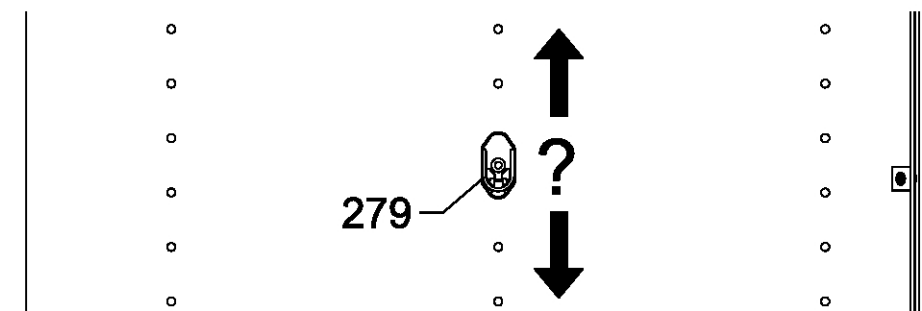
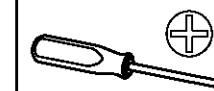
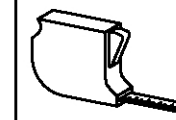


xxxx = 2000, 2001, 2002, 2003, 2004, 2006, 2008

1

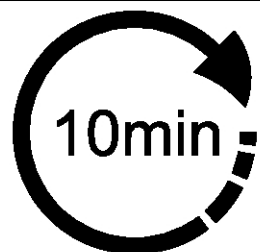
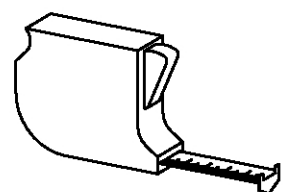
2x 205 3,5x15

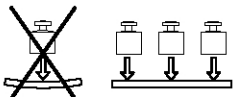
2x 279

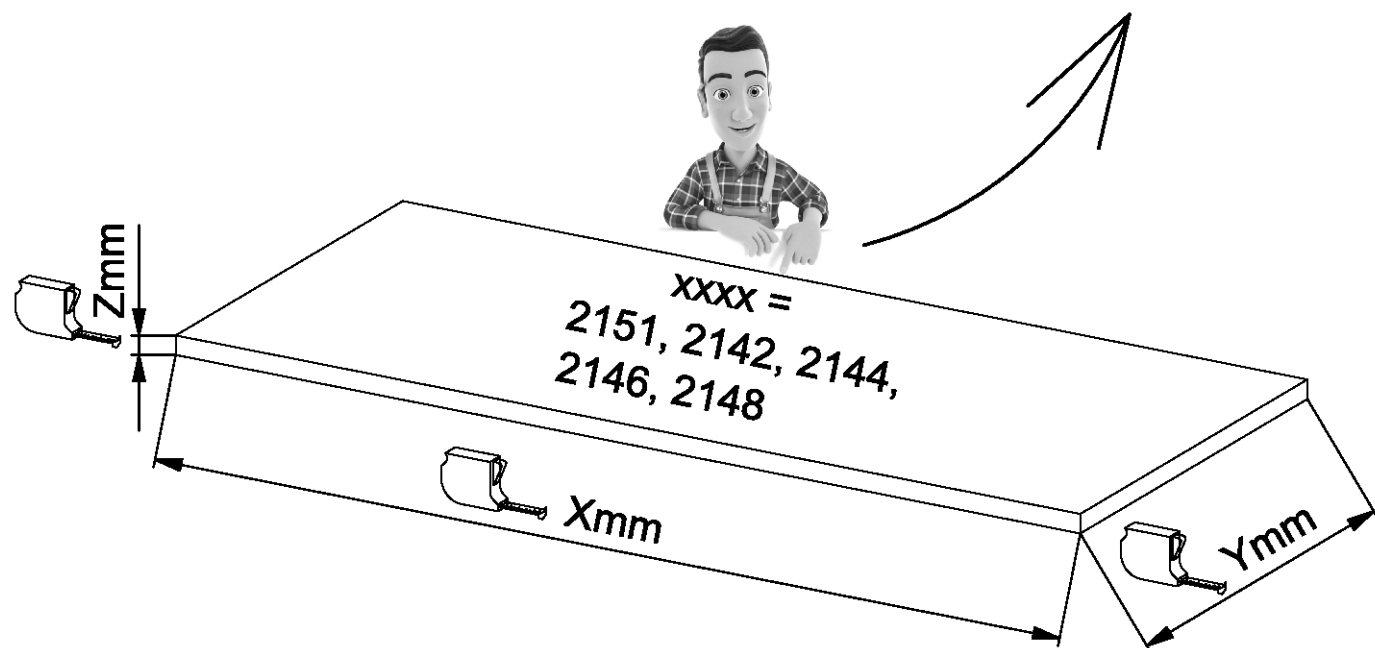


MZ113_03


rauch

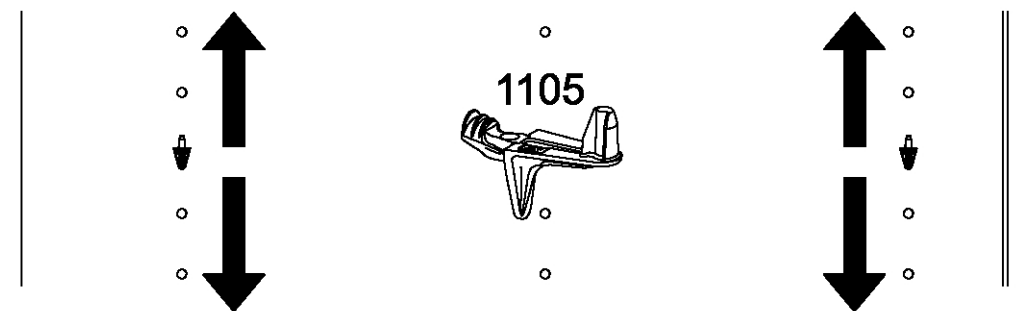


| Xmm | Ymm | Zmm |  | xxxx |
|--------|-------|------|--|------|
| 241mm | 480mm | 16mm | max. 10kg | 2151 |
| 432mm | 480mm | 16mm | max. 10kg | 2142 |
| 656mm | 480mm | 16mm | max. 10kg | 2144 |
| 880mm | 480mm | 16mm | max. 10kg | 2146 |
| 1104mm | 480mm | 22mm | max. 25kg | 2148 |

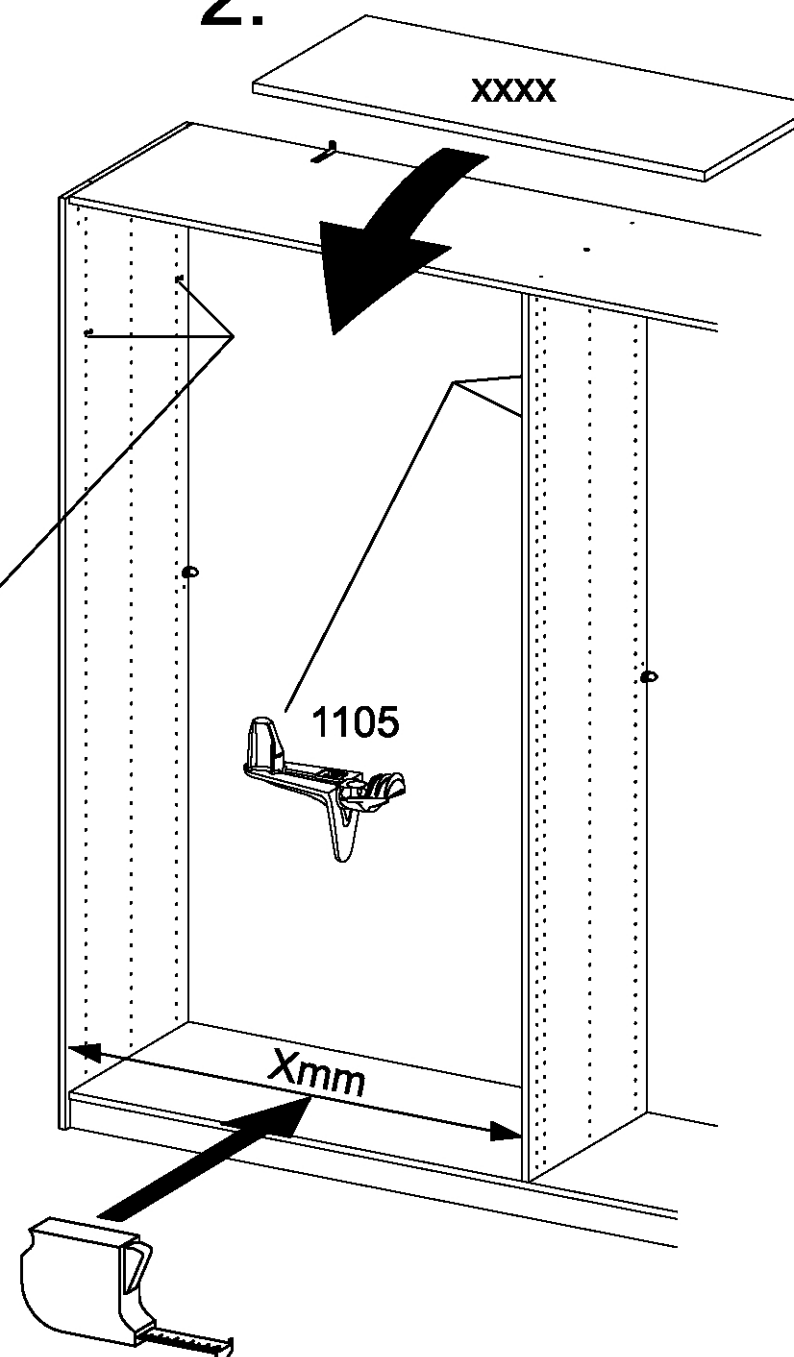


1

4x 1105 



2.



3.

