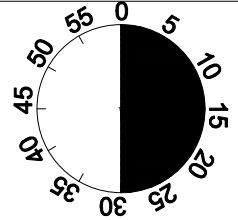
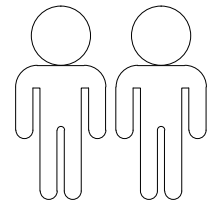
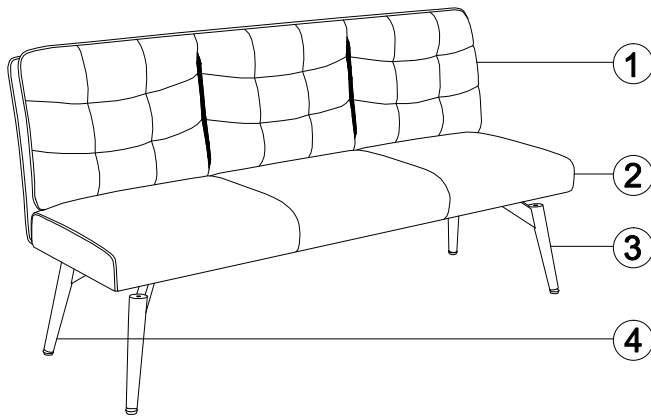
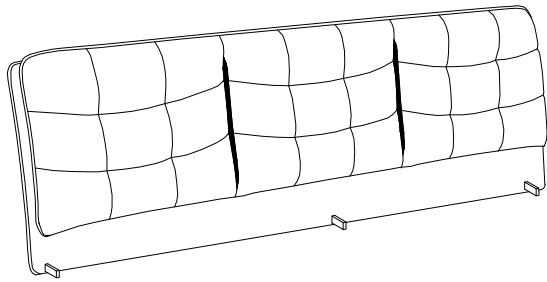


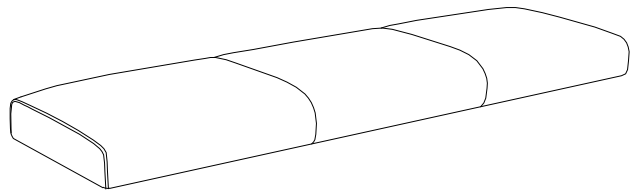
TOVIANA



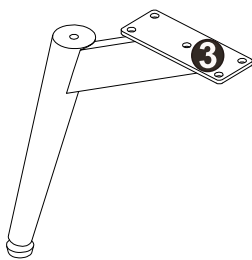
1



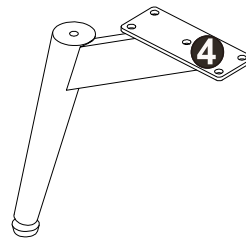
2



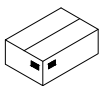
3



4



| | |
|---|----|
| 1 | 1x |
| 2 | 1x |
| 3 | 2x |
| 4 | 2x |



1/1

A

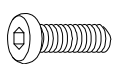
M6X12



6x

B

M6X20



16x

C

Ø18xØ6x1.5



16x

D

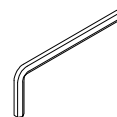
4MM



1x

E

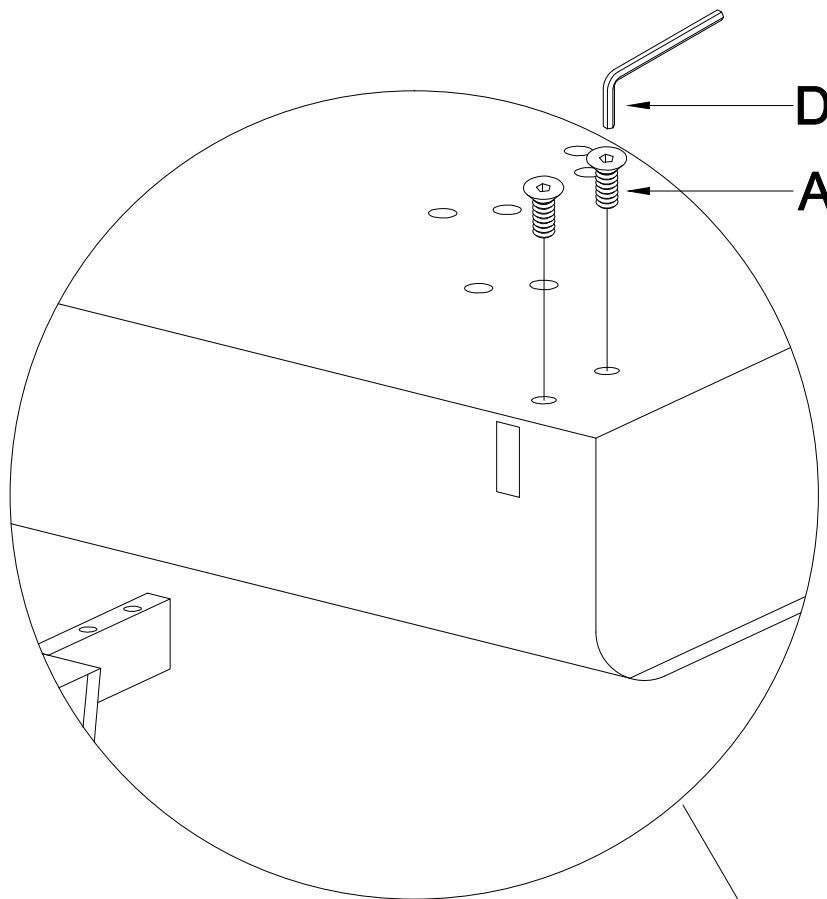
5MM

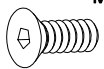
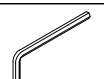



1x

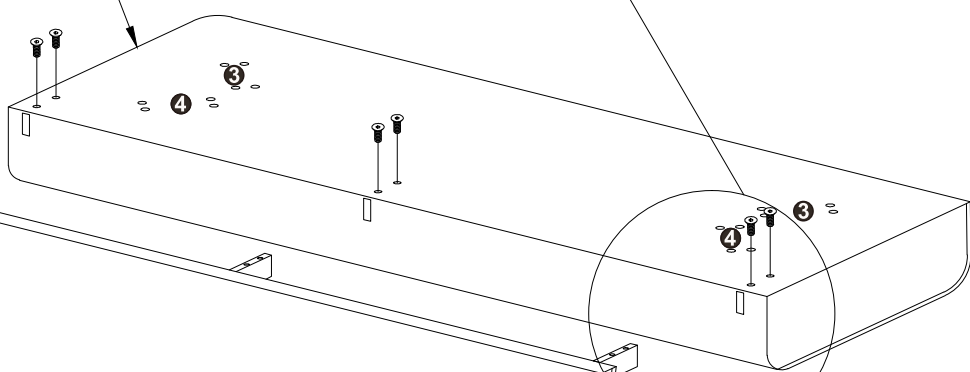
I.

1

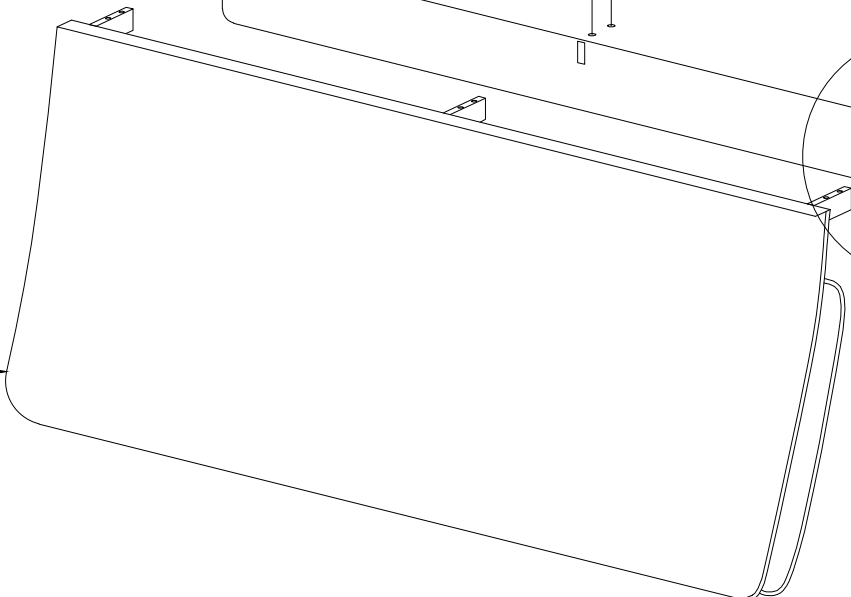


| | | |
|---|---|-------|
| A |  | M6x12 |
| | | 6x |
| D |  | 4MM |
| | | 1x |
|  | | |

2




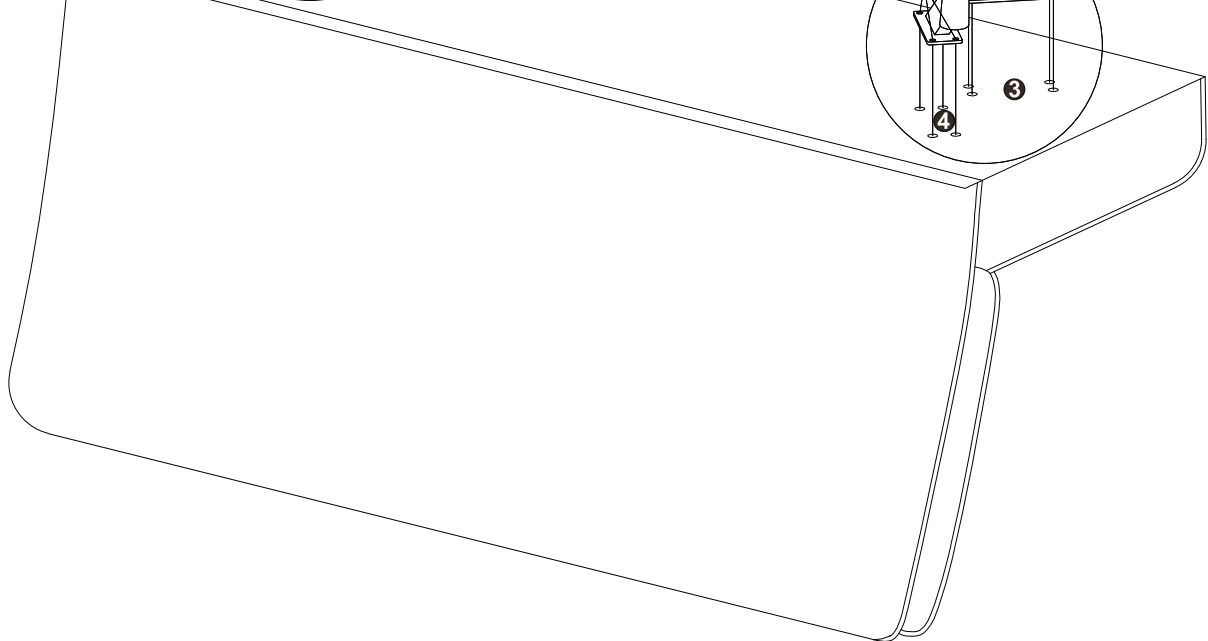
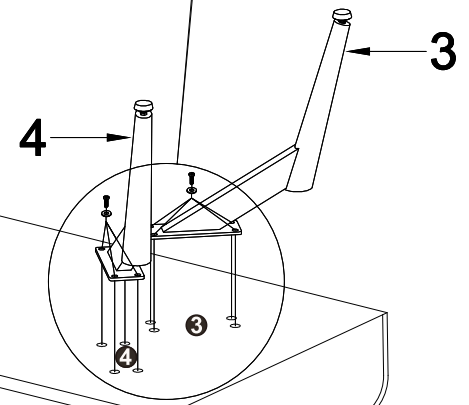
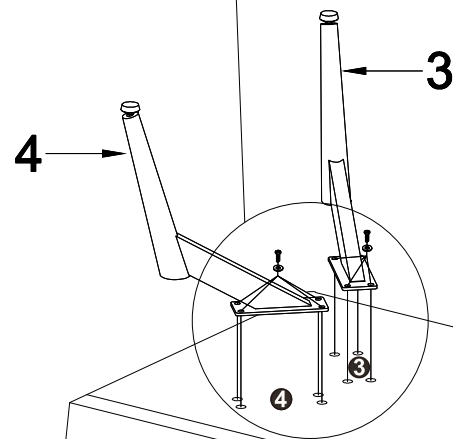
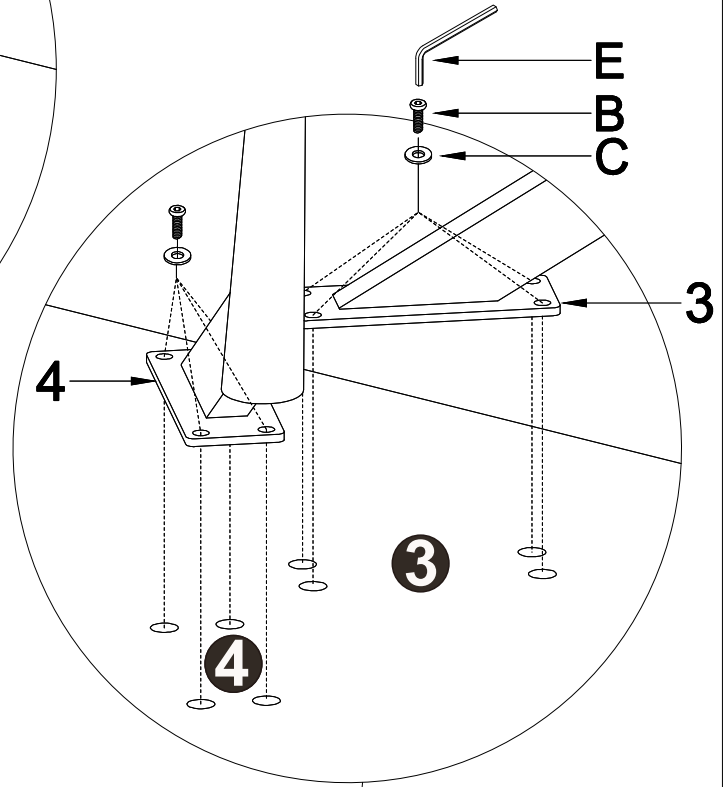
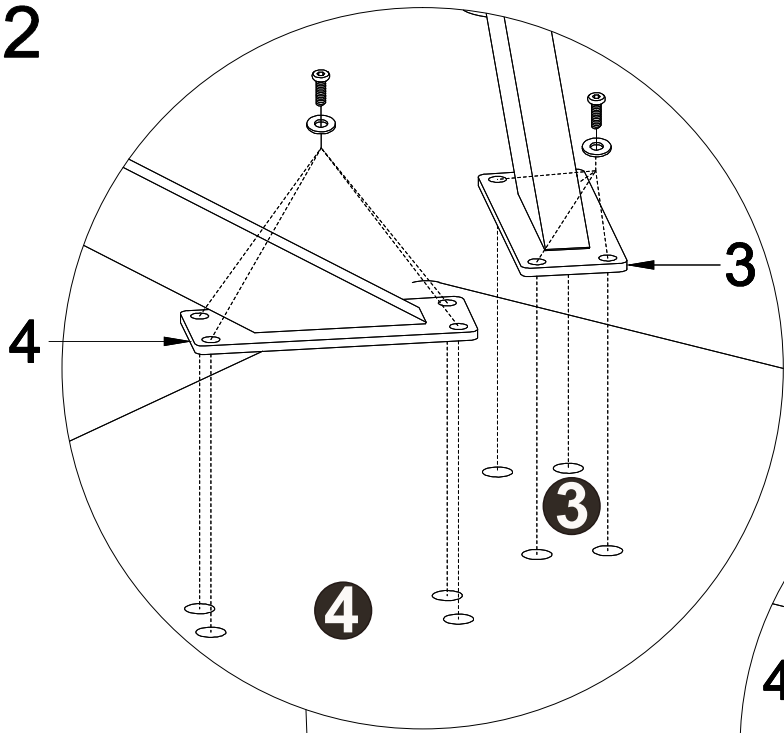
1





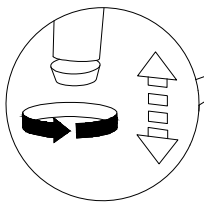
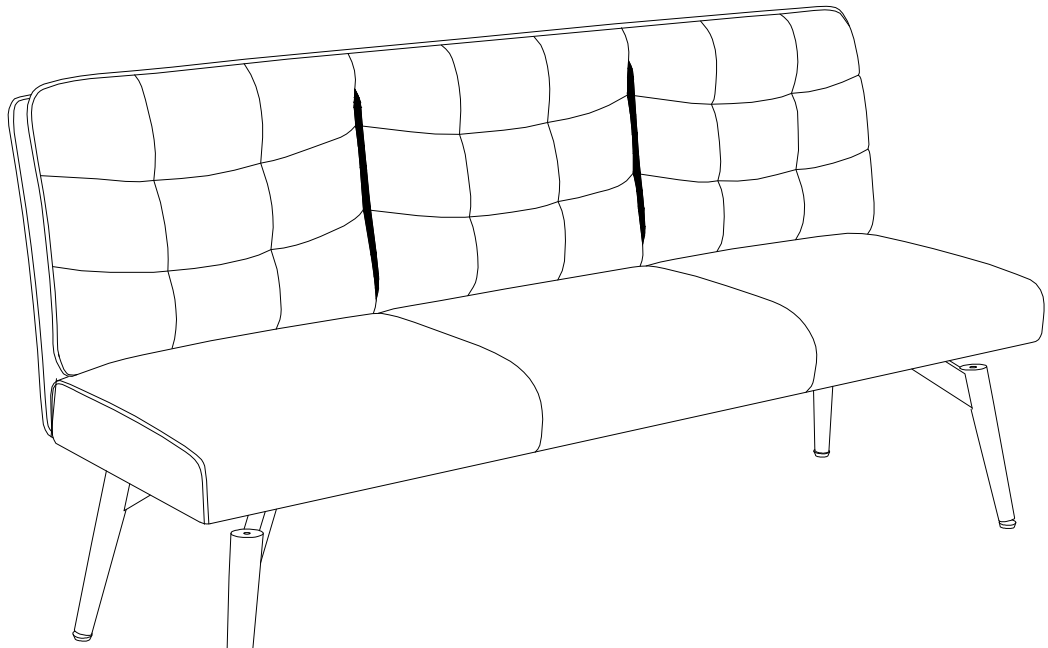
II.

2

| | |
|---|-------------------|
| B | M6x20 16x |
| C | Ø18xØ6x1.5 16x |
| E | 5MM 1x |
|  | |



| | | |
|---|--|-----|
| E |  | 5MM |
| | | 1x |
|  | | |



LE TRI + FACILE  **BAC DE TRI**

Séparez les éléments avant de trier