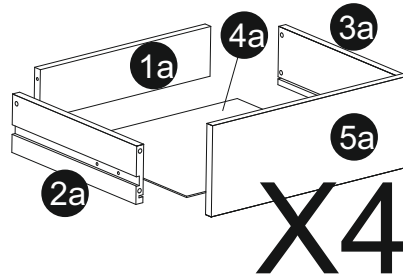
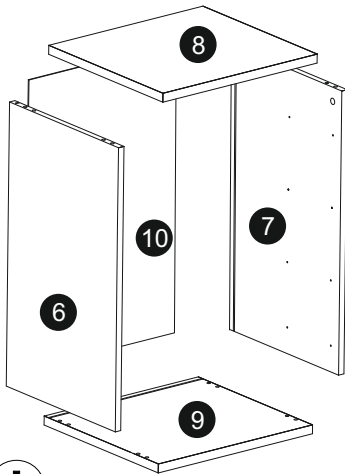
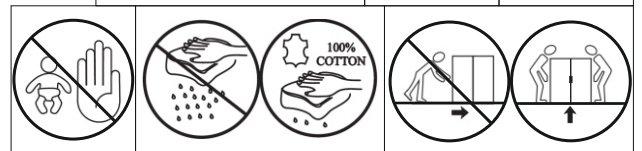
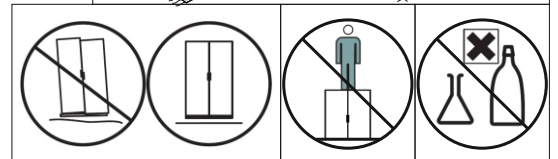
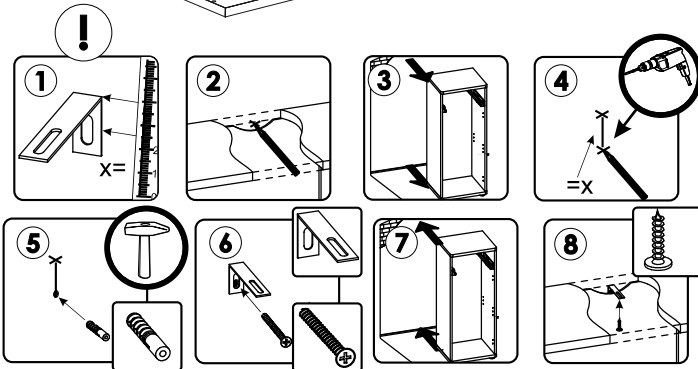
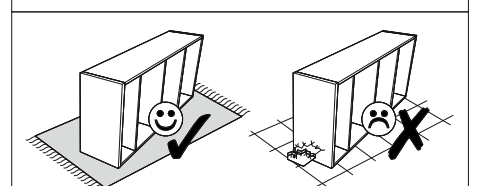
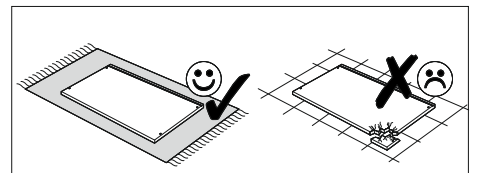


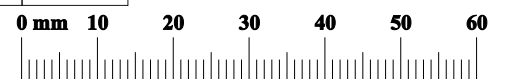
1/1		
1a	16x85x395	X4
2a	12x100x350	X4
3a	12x100x350	X4
4a	3x405x355	X4
5a	16x172x454	X4
6	16x401x715	X1
7	16x401x715	X1
8	22x460x420	X1
9	22x460x420	X1
10	3x444x731	X1



X4

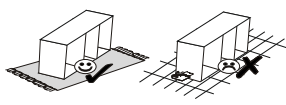


KK1 X1	K1 X12	ZM1B X12	ZM1A X4	MZM1A X8	
KD1 X24	KSK1 X1	W1 X16	S1 X10	SS2 X4	W7 X8
W12 X8	U53 X4	SR4 X8	PKU2 X8	ME1 X16	

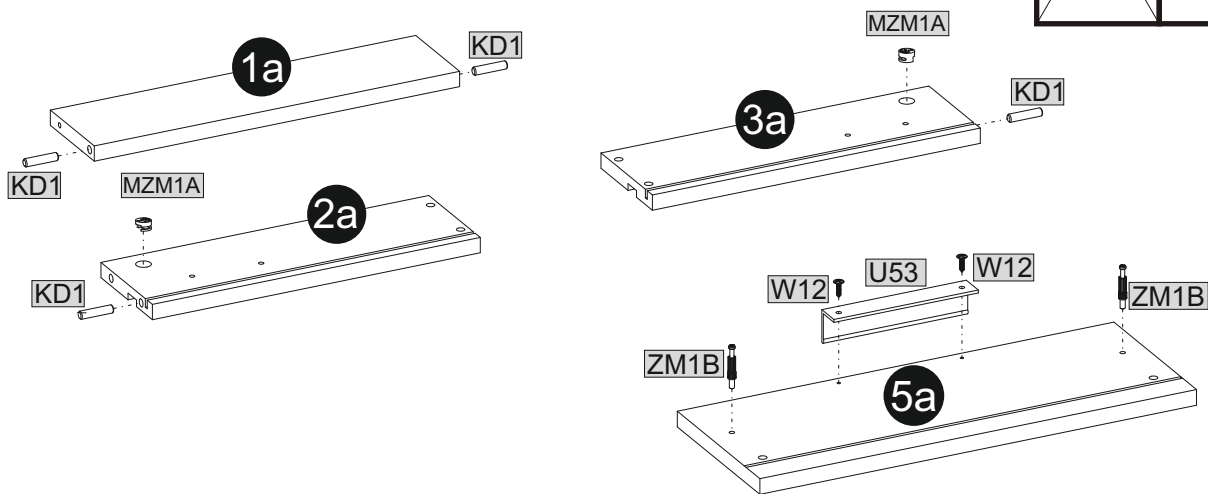
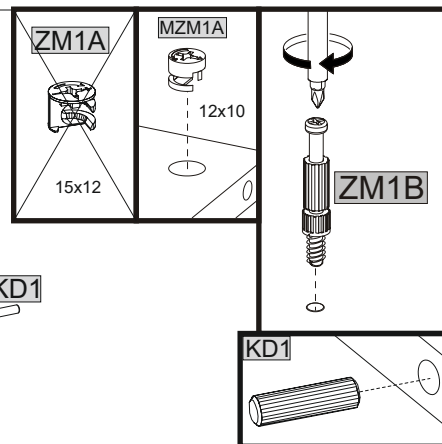


01

X4

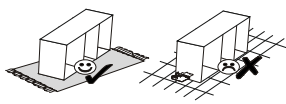


	12x10		8x35		
MZM1A	2	KD1	4	ZM1B	2

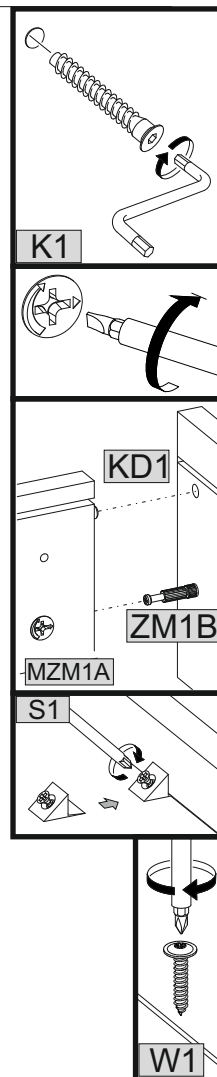
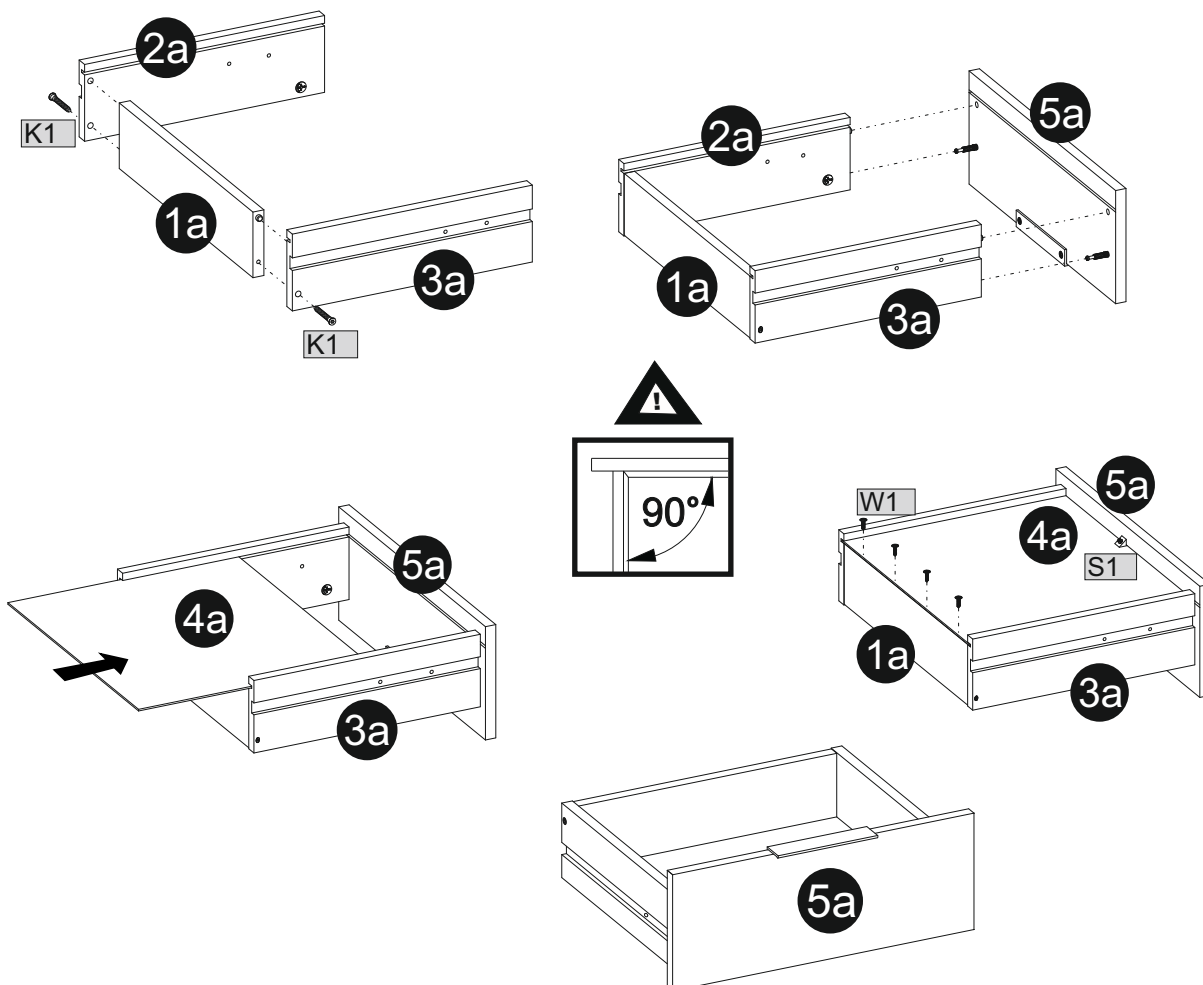


02

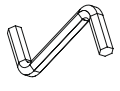

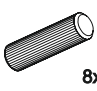

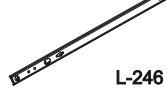

X4

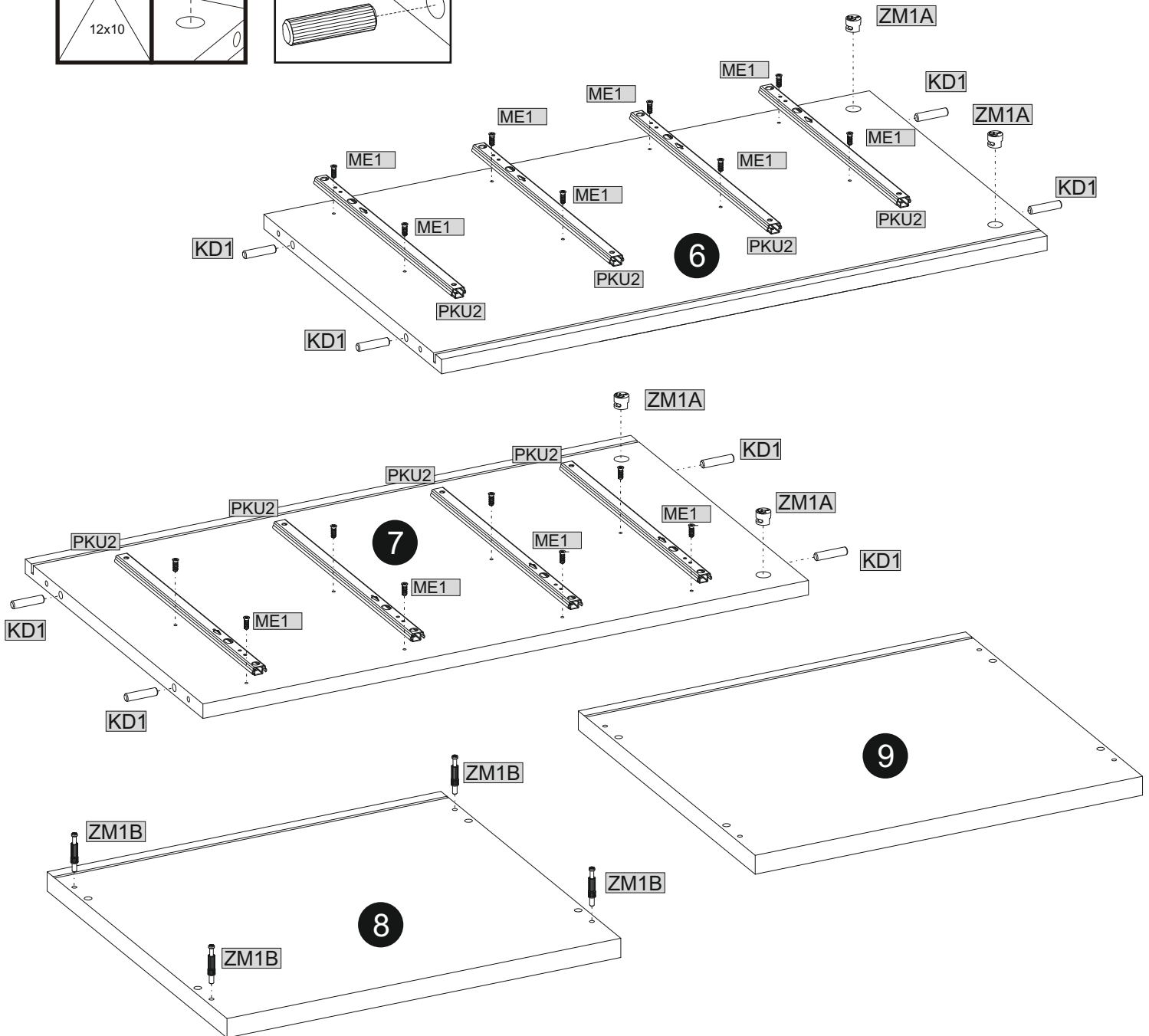
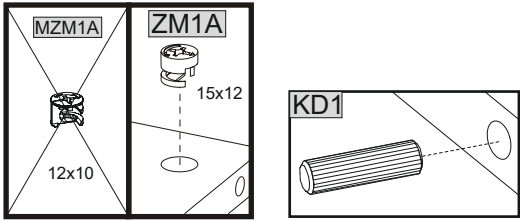
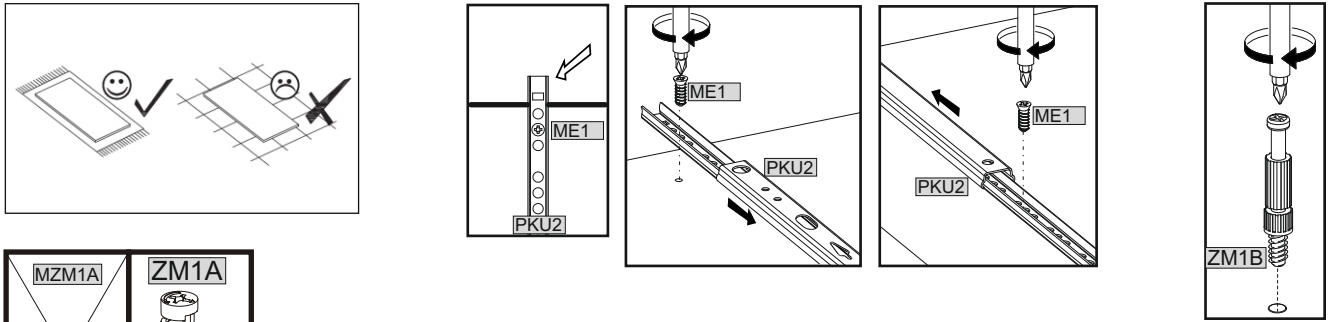


	7x50		3x16				
K1	2	W1	4	KK1	1	S1	1
			4x30				
U53	1	WU	2				



02

	KK1	X1		ZM1A	X4		KD1	X8		ZM1B	X4		PKU2	X8		ME1	X16
---	------------	-----------	---	-------------	-----------	---	------------	-----------	--	-------------	-----------	---	-------------	-----------	---	------------	------------



03

