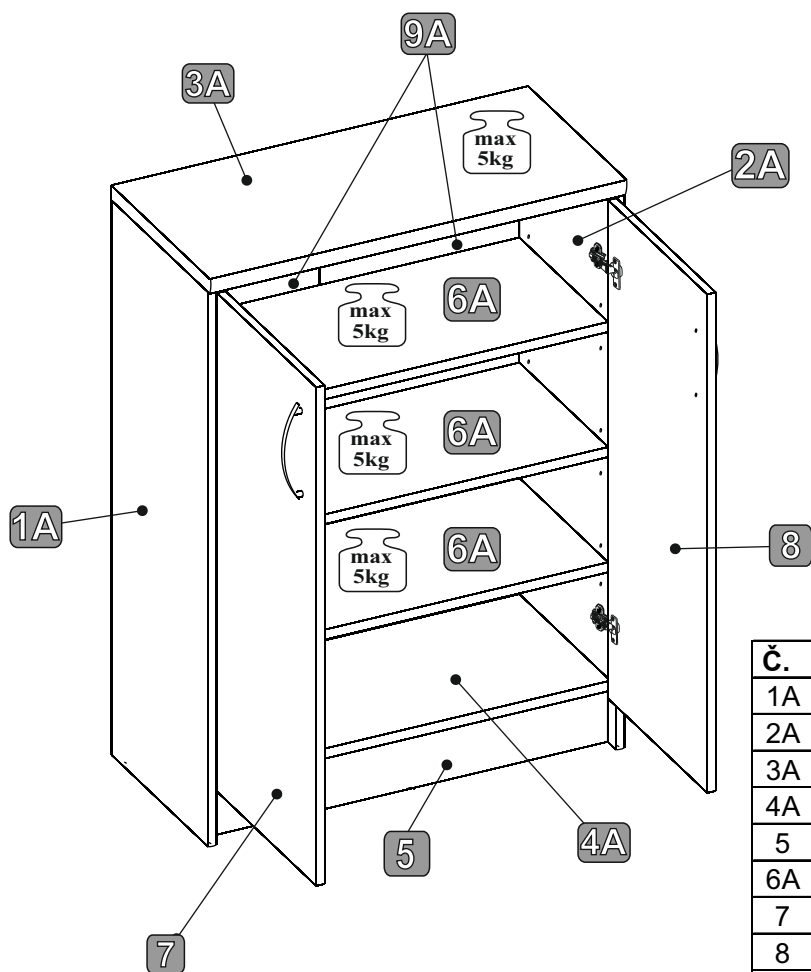


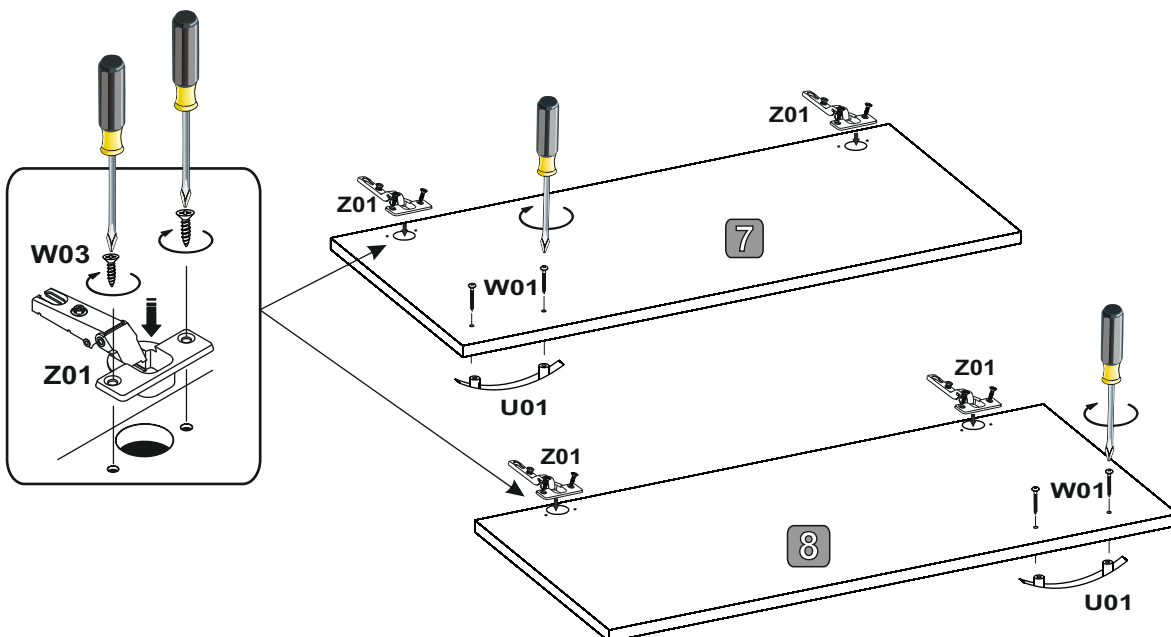
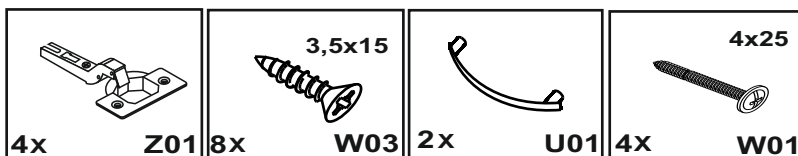
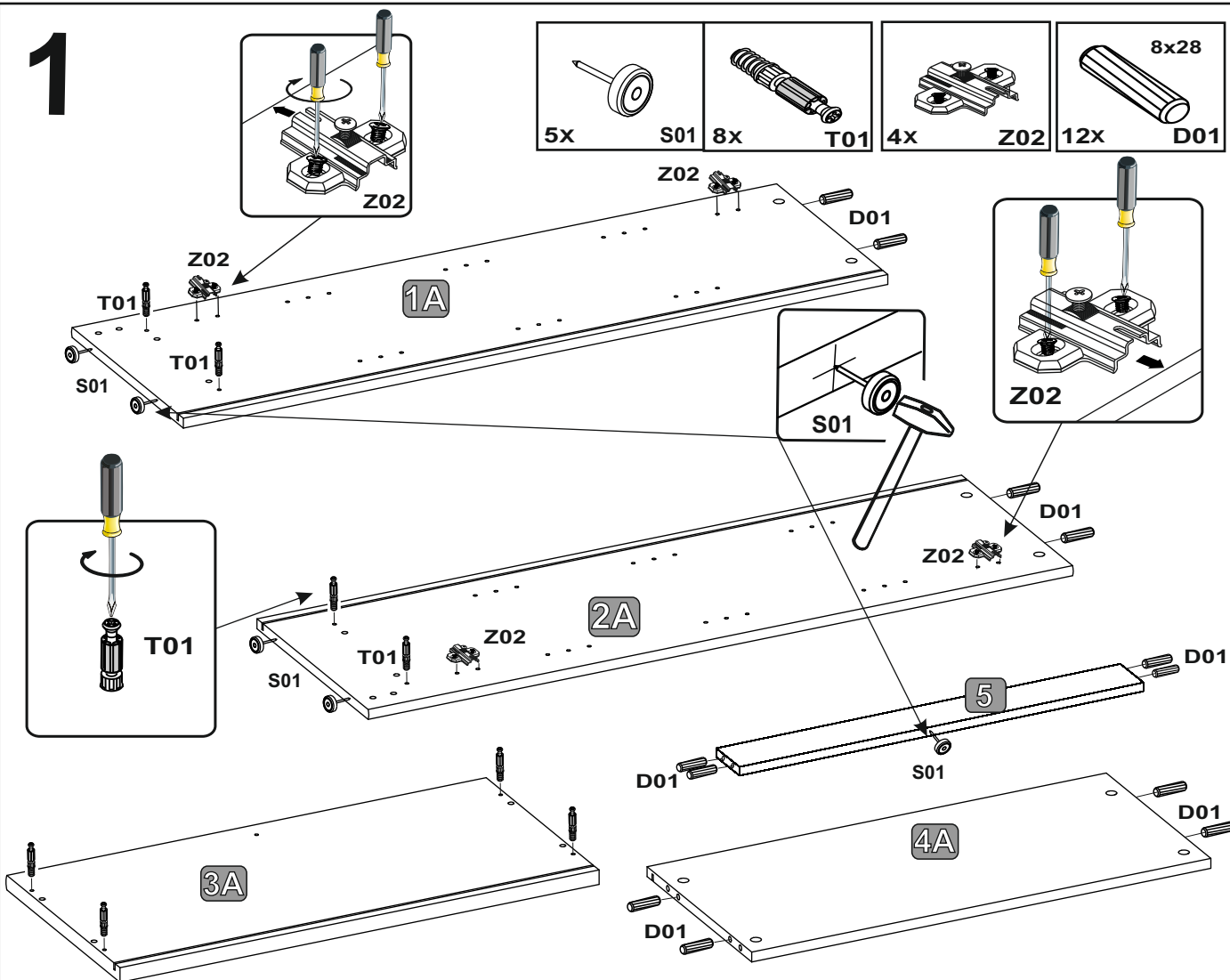
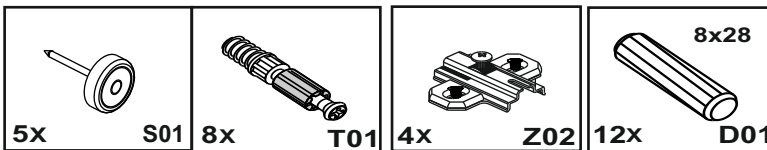
8x T02	8x T01	10x R01	12x D01	4x Z01	4x Z02
2x U01	12x E01	1x E02	8x W03	4x W01	5x S01
1x F01	1x F11	1x P01	2x W07		



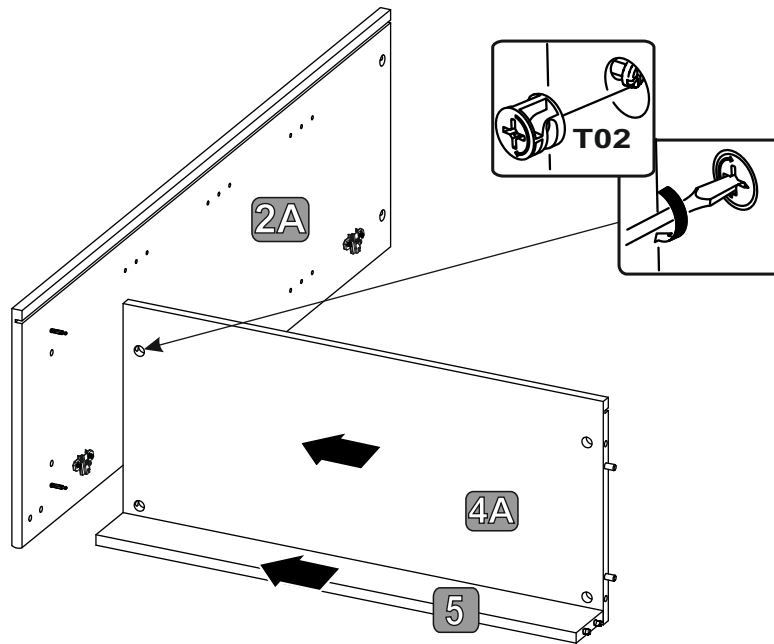
Č.	Rozmer	Ks	COLLI
1A	1088x345x15	1	1/1
2A	1088x345x15	1	1/1
3A	740x352x22	1	1/1
4A	709x323x15	1	1/1
5	709x80x15	1	1/1
6A	708x296x15	3	1/1
7	1004x350x15	1	1/1
8	1004x350x15	1	1/1
9A	1012x728x2	1	1/1



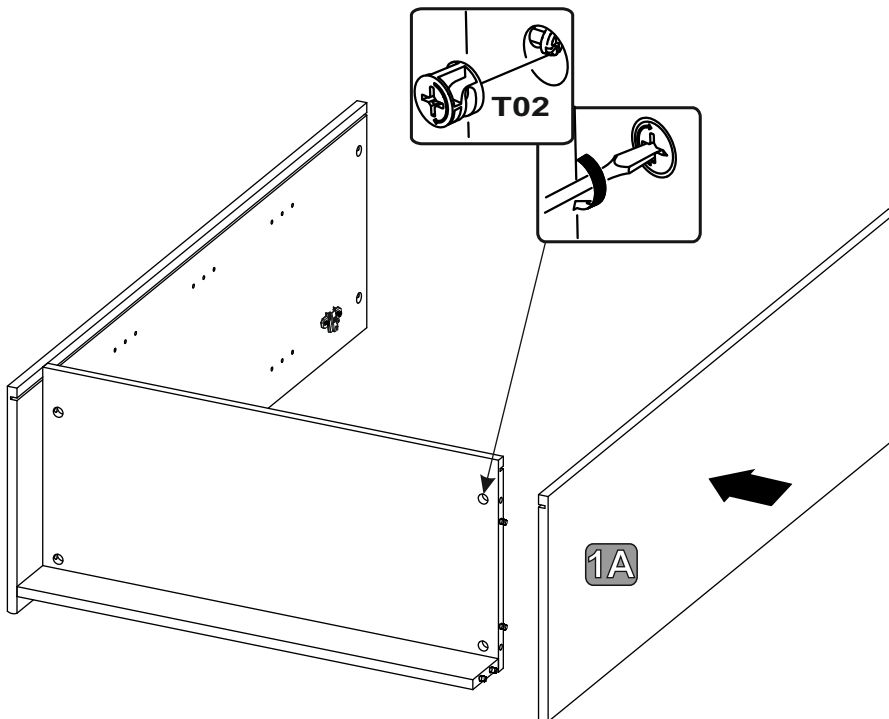
1



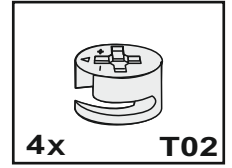
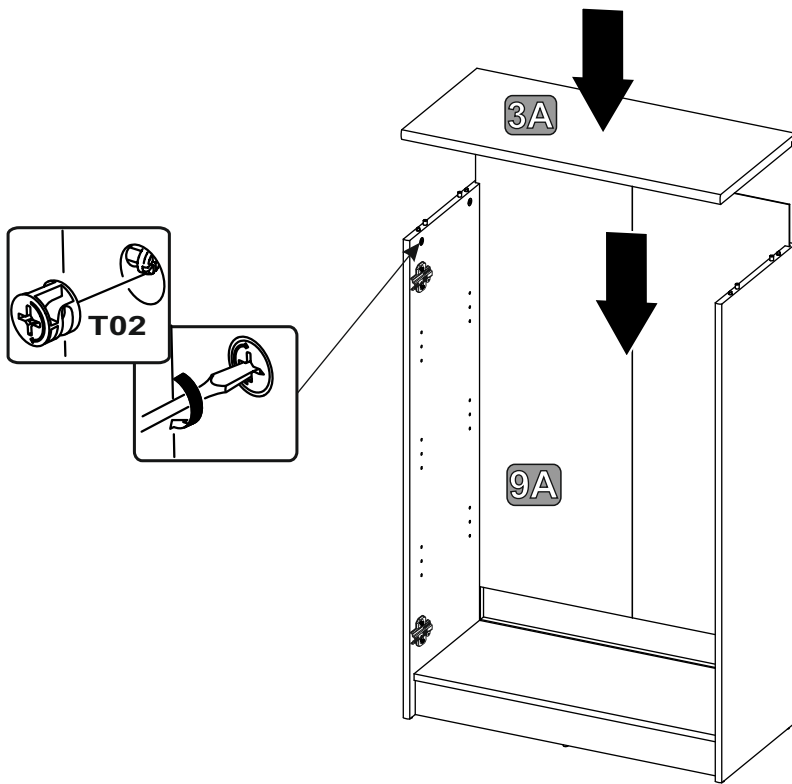
2



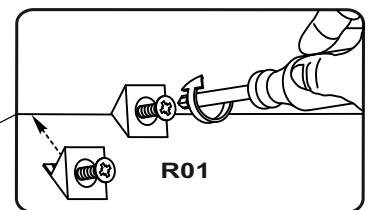
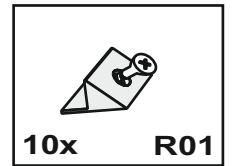
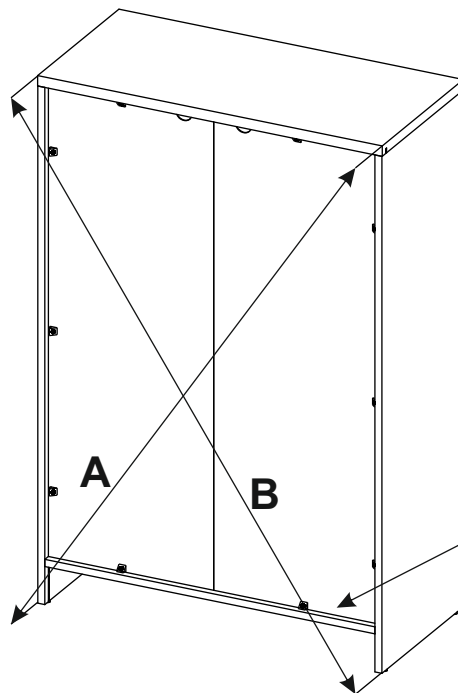
3



4



5



A=B

6

A

B

20mm

F01

F11

P01

W07

E02

6A

6A

6A

E01

C

1x	E02
1x	F01
1x	F11
1x	P01
2x	W07
12x	E01

4x13

Warning icons: !, correct/incorrect installation, thumbs up/down, eye, crossed tools.

7

7

8

Adjustment blocks: horizontal, vertical, horizontal.