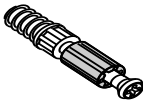
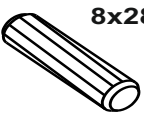

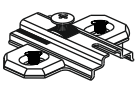



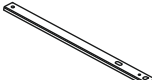





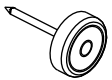






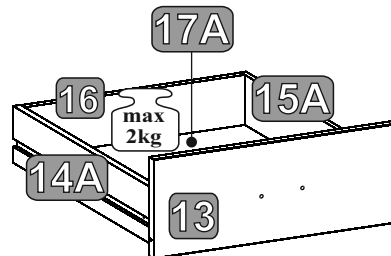
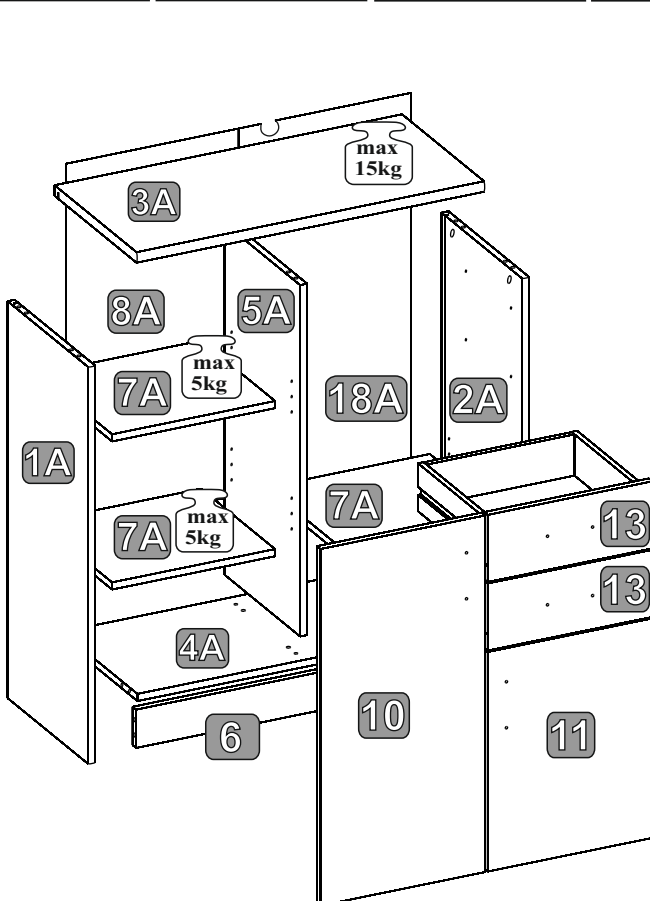
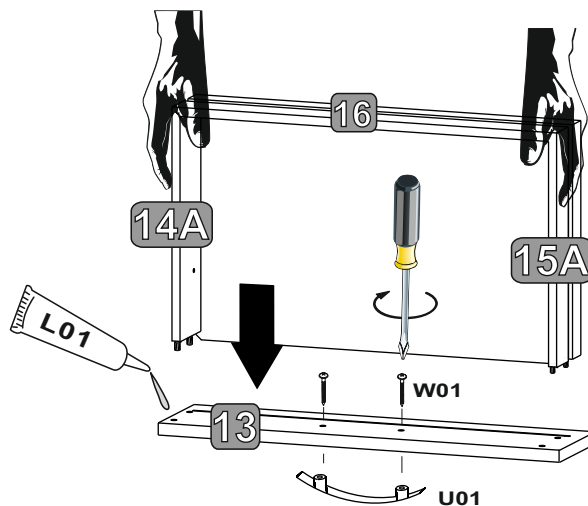
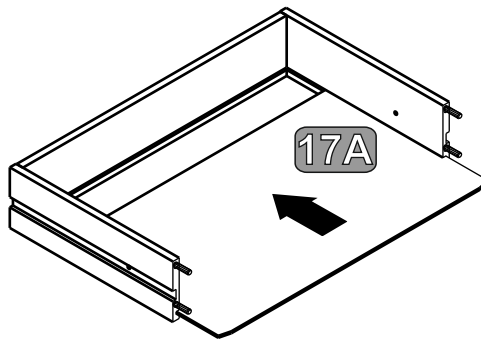
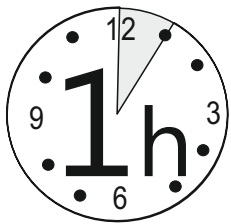
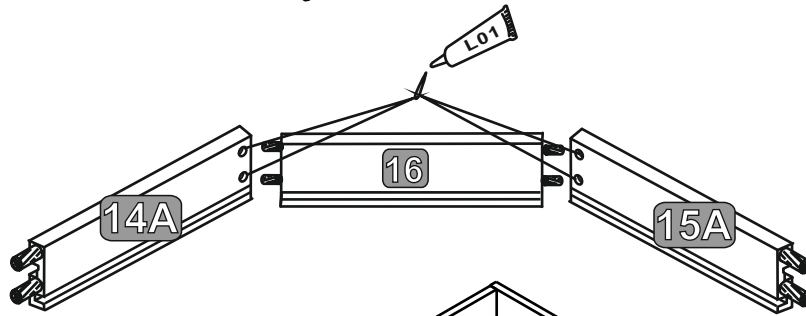
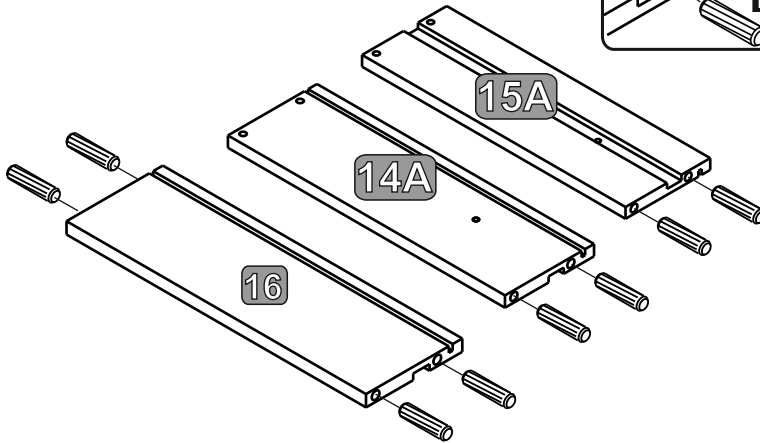
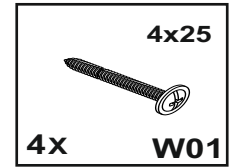
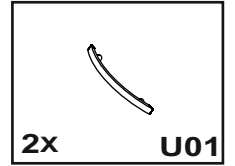
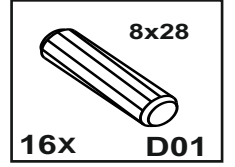
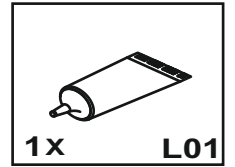
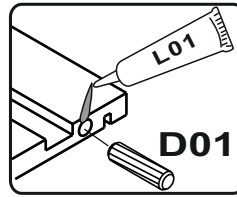
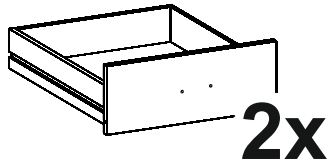
 10x T02	 10x T01	 8x28 32x D01	 4x Z01	 4x Z02	 12x E01
 4x U01	 4x25 8x W01	 4x P03	 6,3x8 8x W10	 1x L01	 12x R01
 4x10 4x X02	 3,5x15 8x W03	 5x S01	 1x K01	 7x50 2x W04	
 1x F01	 1x F11	 1x P01	 4x13 2x W07		



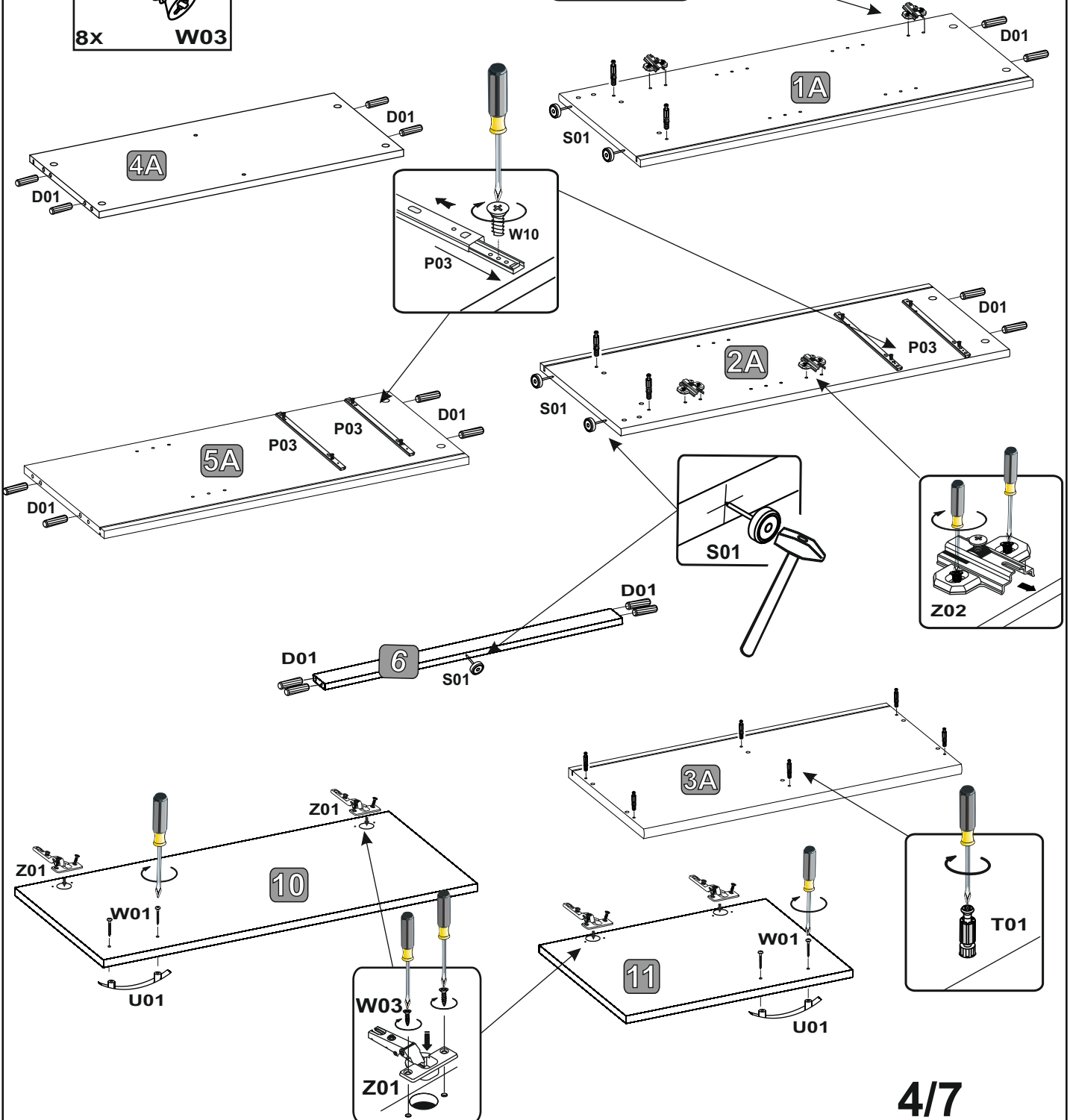
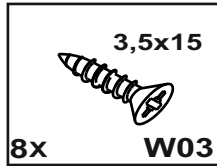
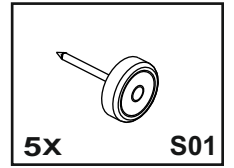
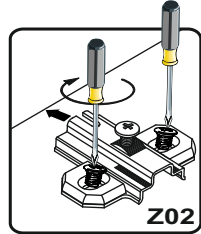
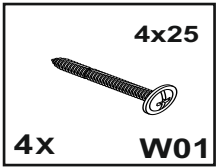
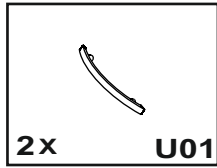
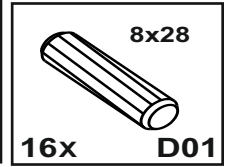
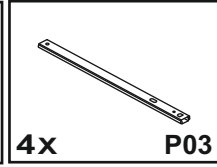
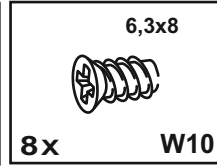
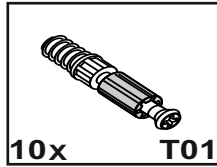
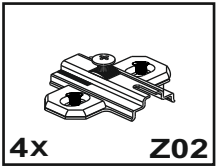
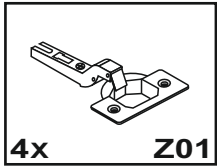
Č.	Rozmer	Ks	COLLI
1A	828x345x15	1	1/1
2A	828x345x15	1	1/1
3A	740x352x22	1	1/1
4A	709x323x15	1	1/1
5A	733x322x15	1	1/1
6	709x80x15	1	1/1
7A	347x296x15	3	1/1
8A	752x360x2	1	1/1
10	744x350x15	1	1/1
11	458x350x15	1	1/1
13	350x140x15	2	1/1
14A	290x100x12	2	1/1
15A	290x100x12	2	1/1
16	315x100x12	2	1/1
17A	326x290x2	2	1/1
18A	752x360x2	1	1/1



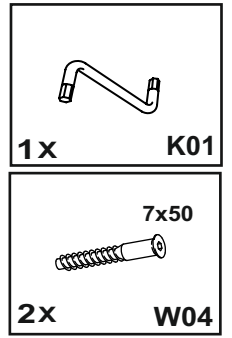
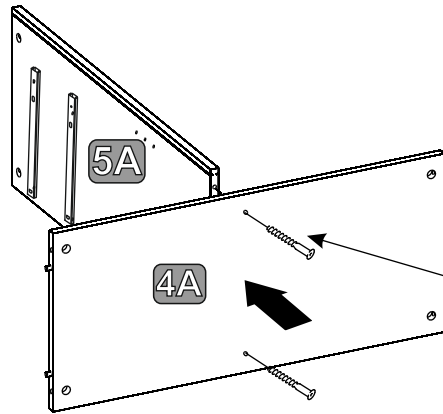
1



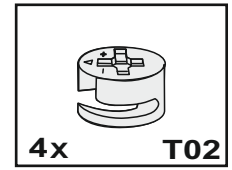
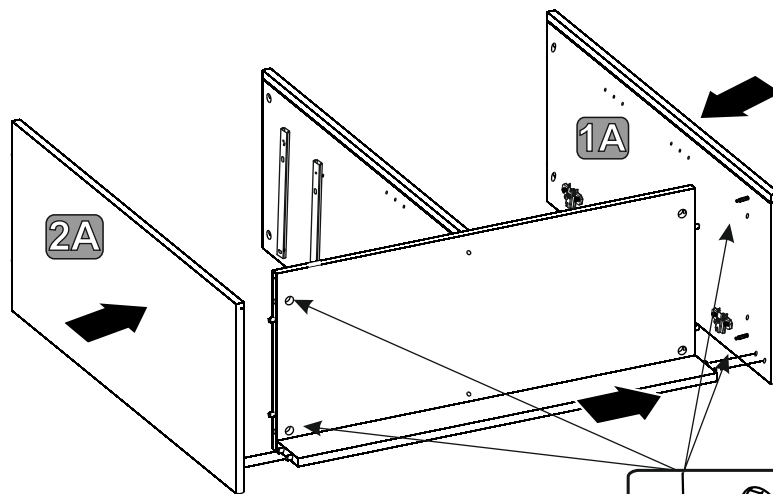
2



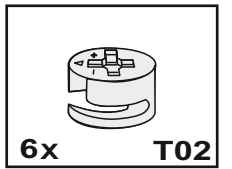
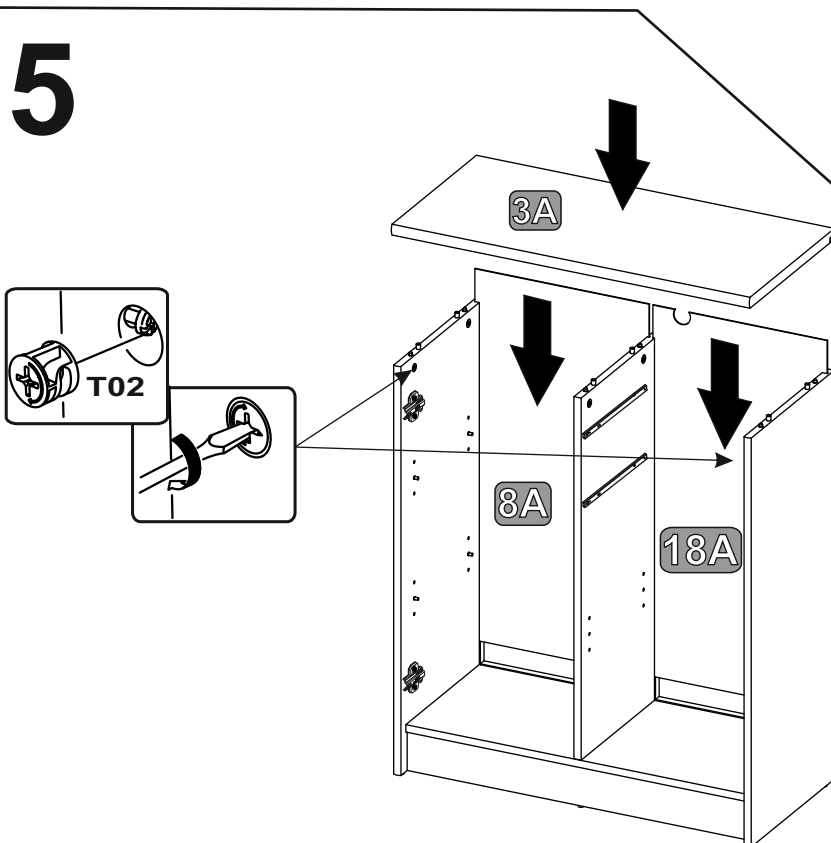
3



4

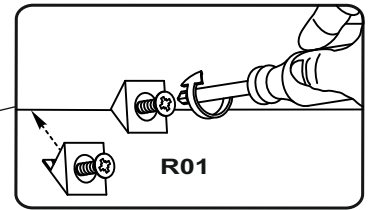
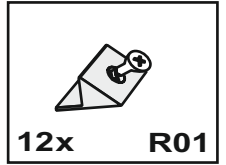
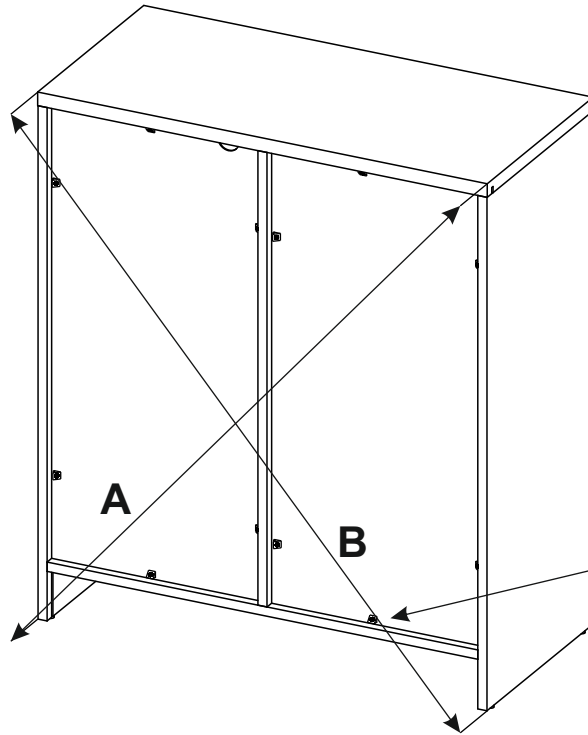


5

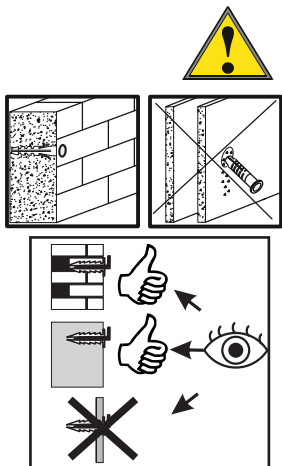
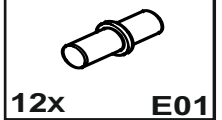
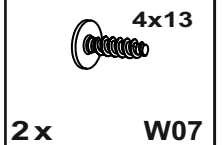
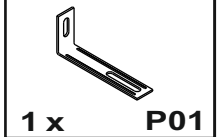
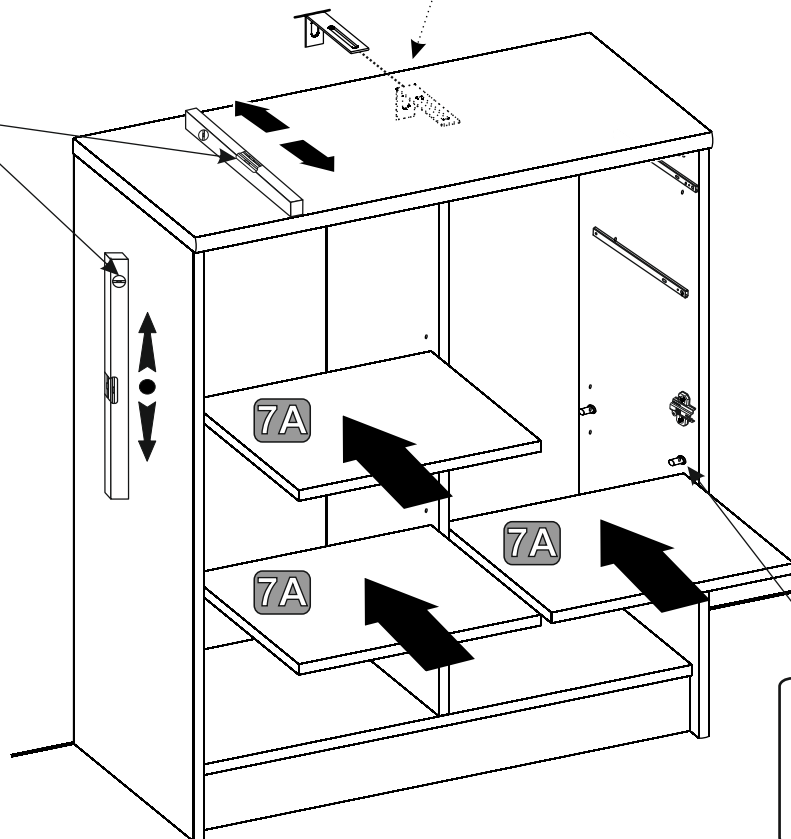
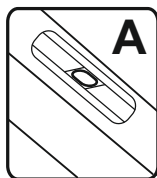
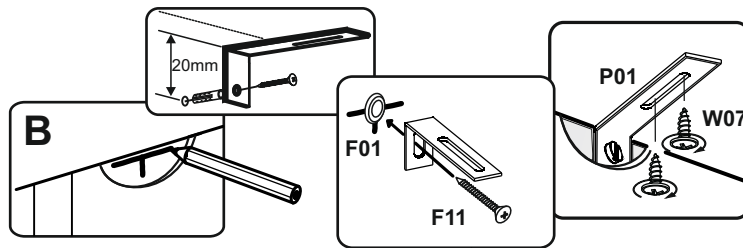


6

A=B

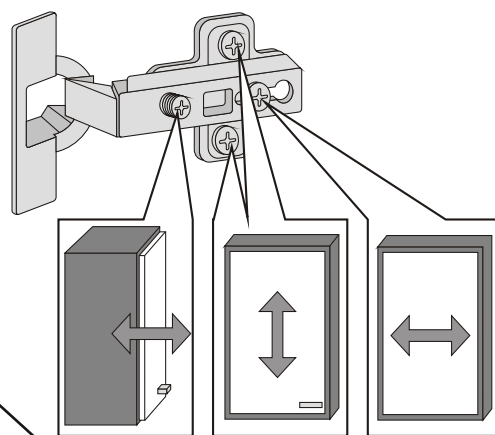
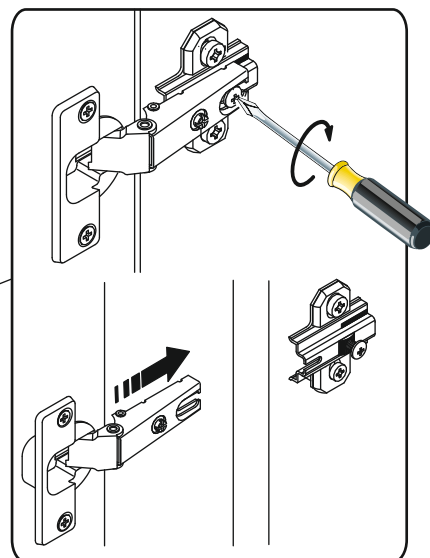
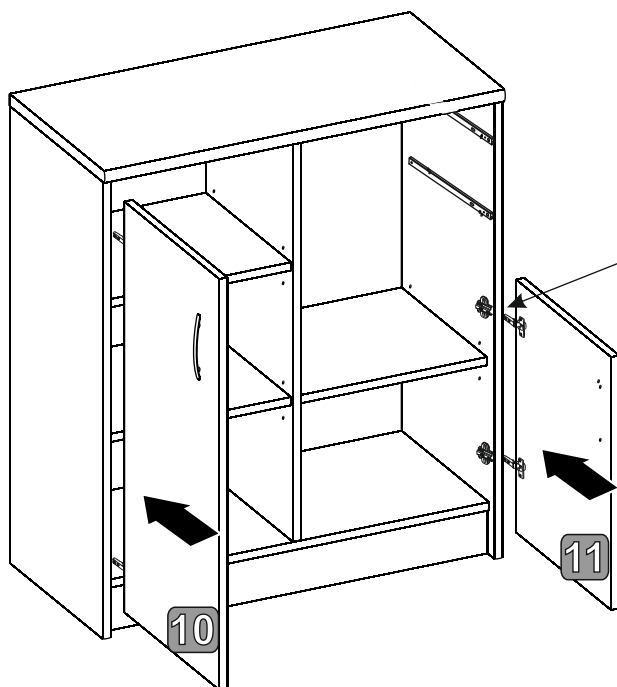


7



6/7

8



9

