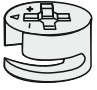
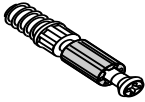
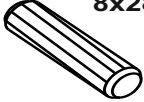
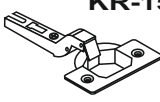




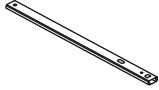

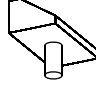



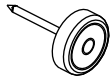

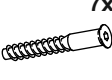


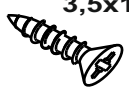


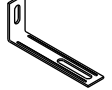
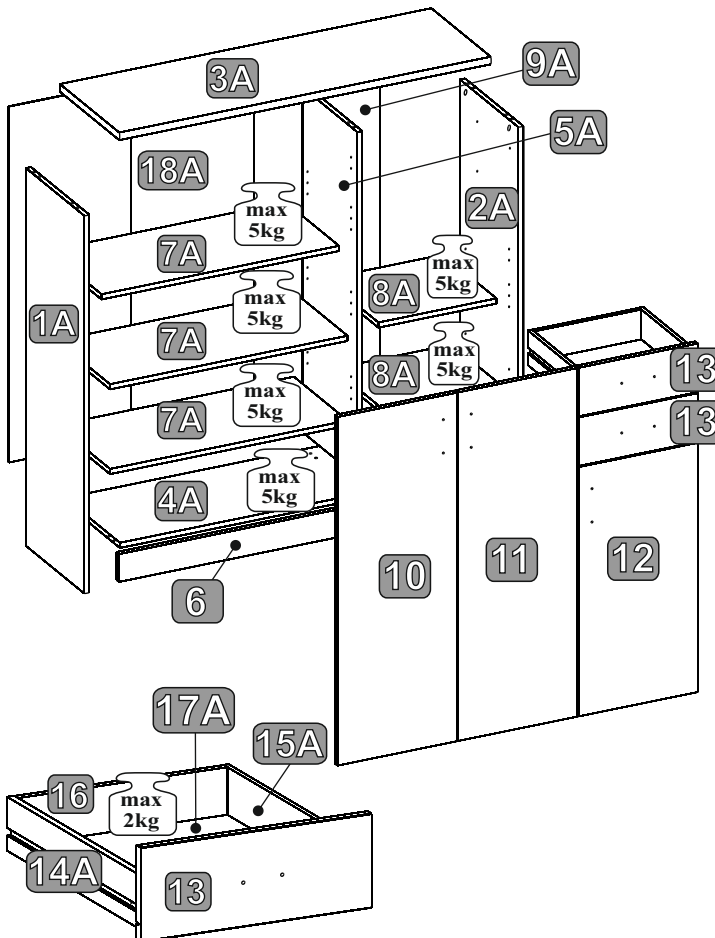


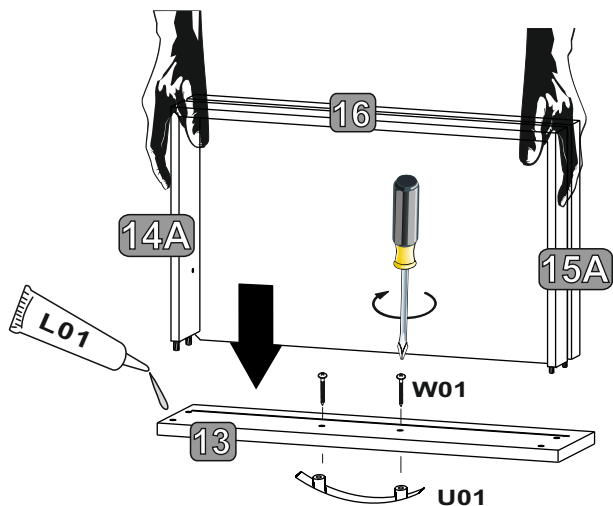
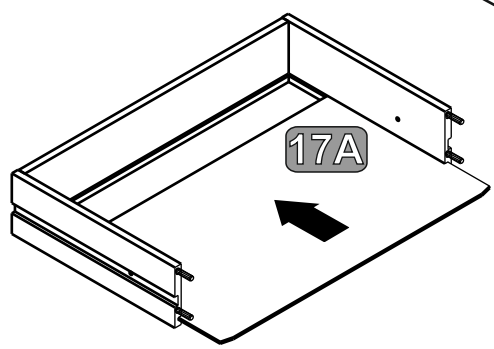
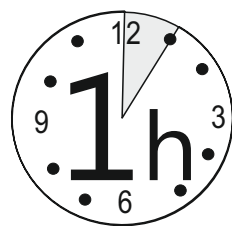
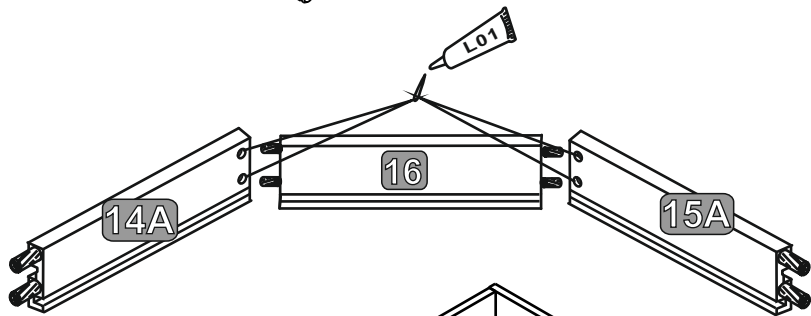
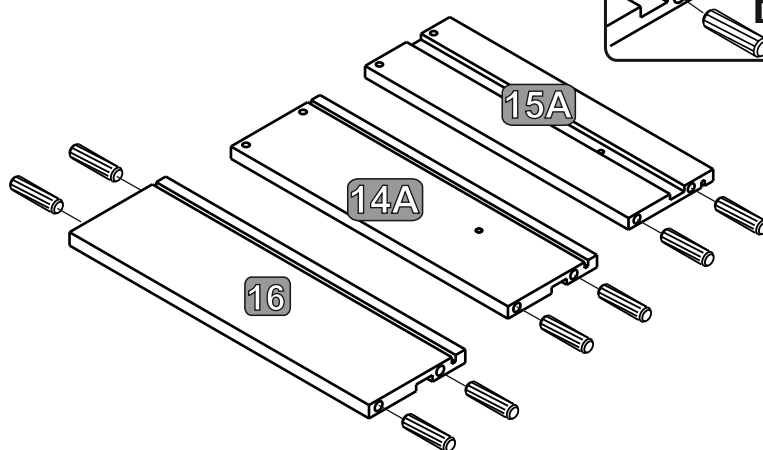
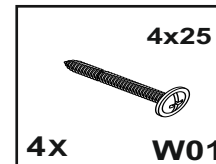
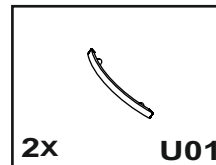
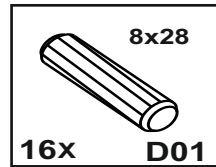
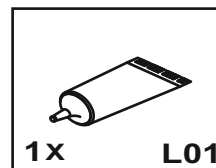
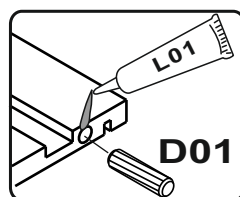
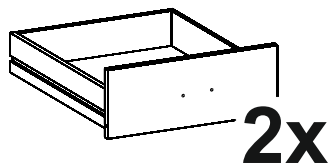
| | | | | | |
|---|--|---|---|--|--|
|  10x T02 |  10x T01 |  8x28 D01 |  4x KR-15 Z01 |  6x Z02 |  20x E01 |
|  2x 4x13 W07 |  2x KR-08 Z03 |  4x P03 |  8x 6x8 W10 |  1x E02 |  18x R01 |
|  5x U01 |  10x 4x25 W01 |  5x S01 |  1x K01 |  2x 7x50 W04 |  1x L01 |
|  4x 4x10 X02 |  12x 3,5x15 W03 |  1x F01 |  1x F11 |  1x P01 | |



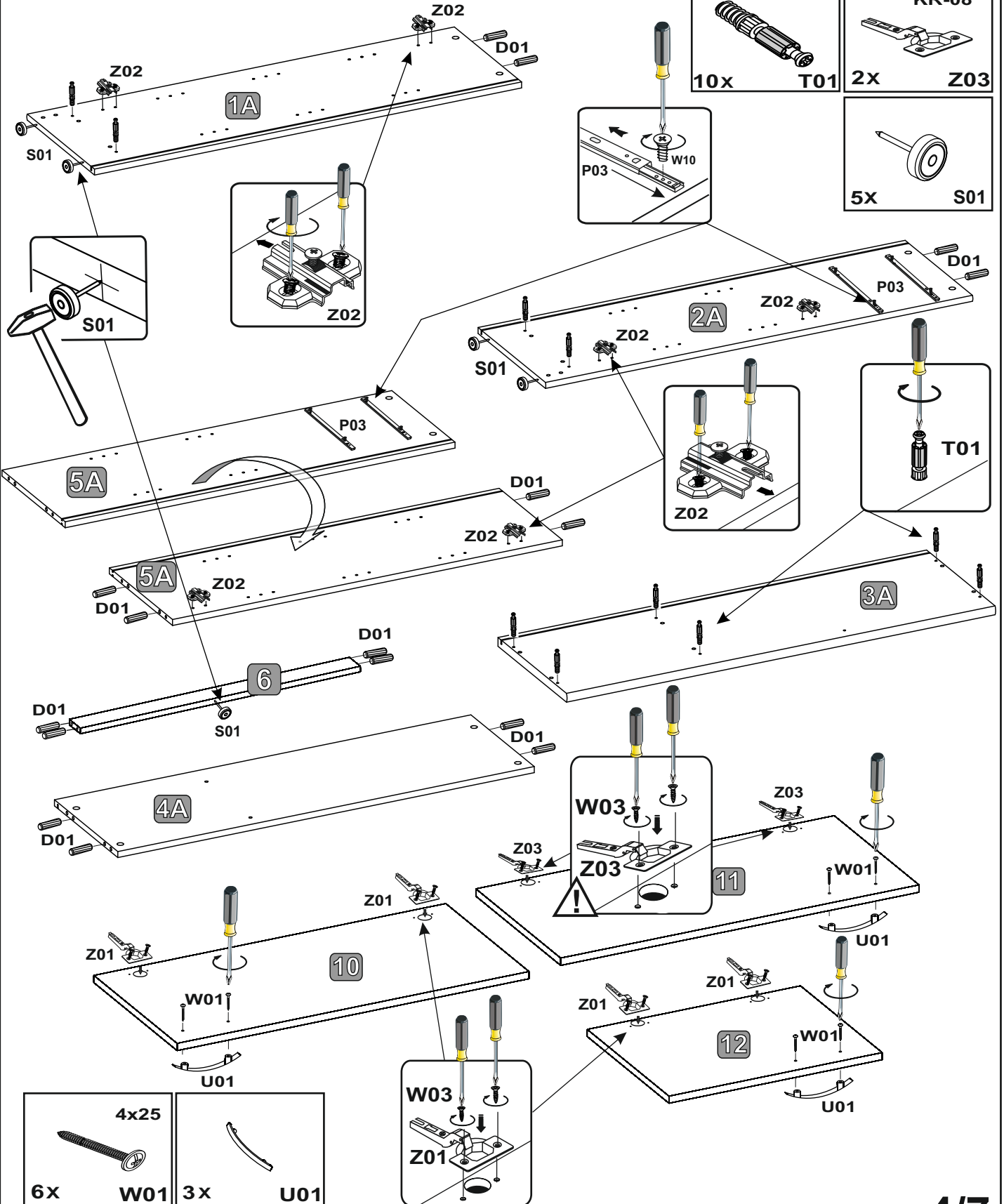
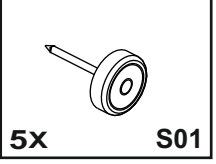
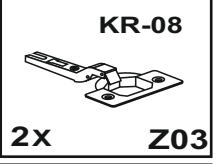
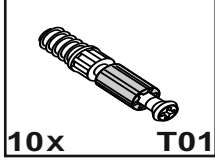
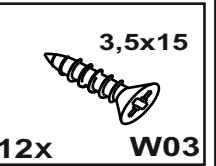
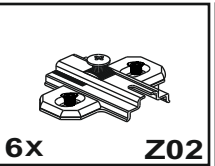
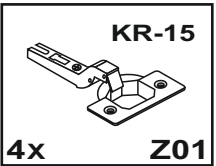
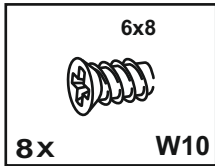
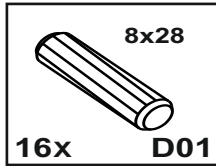
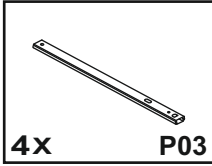
| Č. | Rozmer | Ks | COLLI |
|-----|-------------|----|-------|
| 1A | 1088x345x15 | 1 | 1/1 |
| 2A | 1088x345x15 | 1 | 1/1 |
| 3A | 1092x352x22 | 1 | 1/1 |
| 4A | 1061x323x15 | 1 | 1/1 |
| 5A | 993x322x15 | 1 | 1/1 |
| 6 | 1061x80x15 | 1 | 1/1 |
| 7A | 698x296x15 | 3 | 1/1 |
| 8A | 347x296x15 | 2 | 1/1 |
| 9A | 1012x360x2 | 1 | 1/1 |
| 10 | 1004x350x15 | 1 | 1/1 |
| 11 | 1004x350x15 | 1 | 1/1 |
| 12 | 718x350x15 | 1 | 1/1 |
| 13 | 350x140x15 | 1 | 1/1 |
| 14A | 290x100x12 | 2 | 1/1 |
| 15A | 290x100x12 | 2 | 1/1 |
| 16 | 315x100x12 | 2 | 1/1 |
| 17A | 326x290x2 | 2 | 1/1 |
| 18A | 1012x711x2 | 1 | 1/1 |



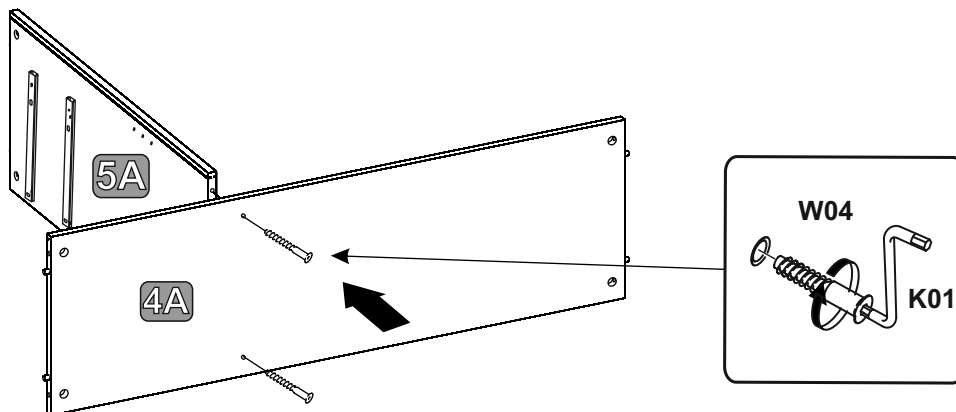
1



2



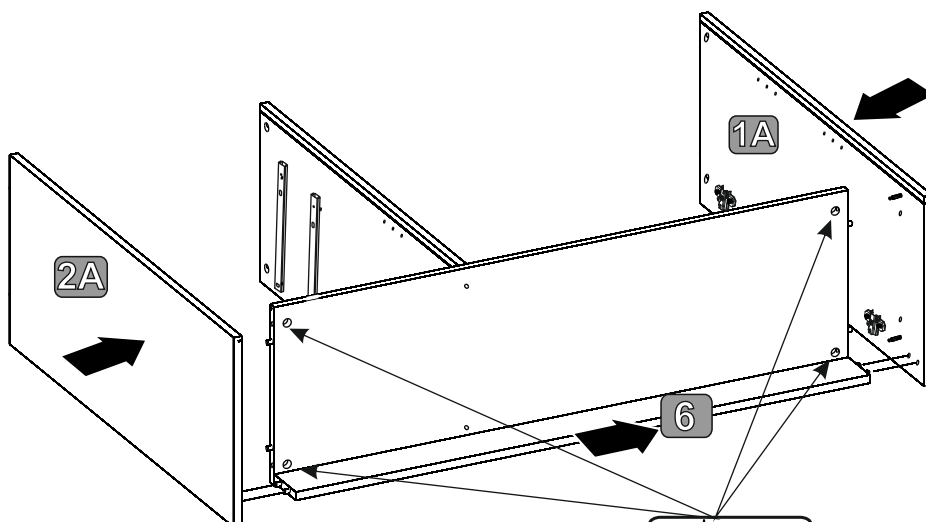
3



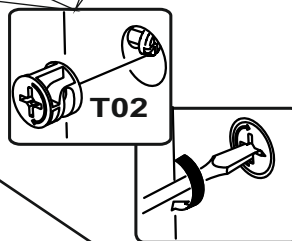
1x K01

7x50
2x W04

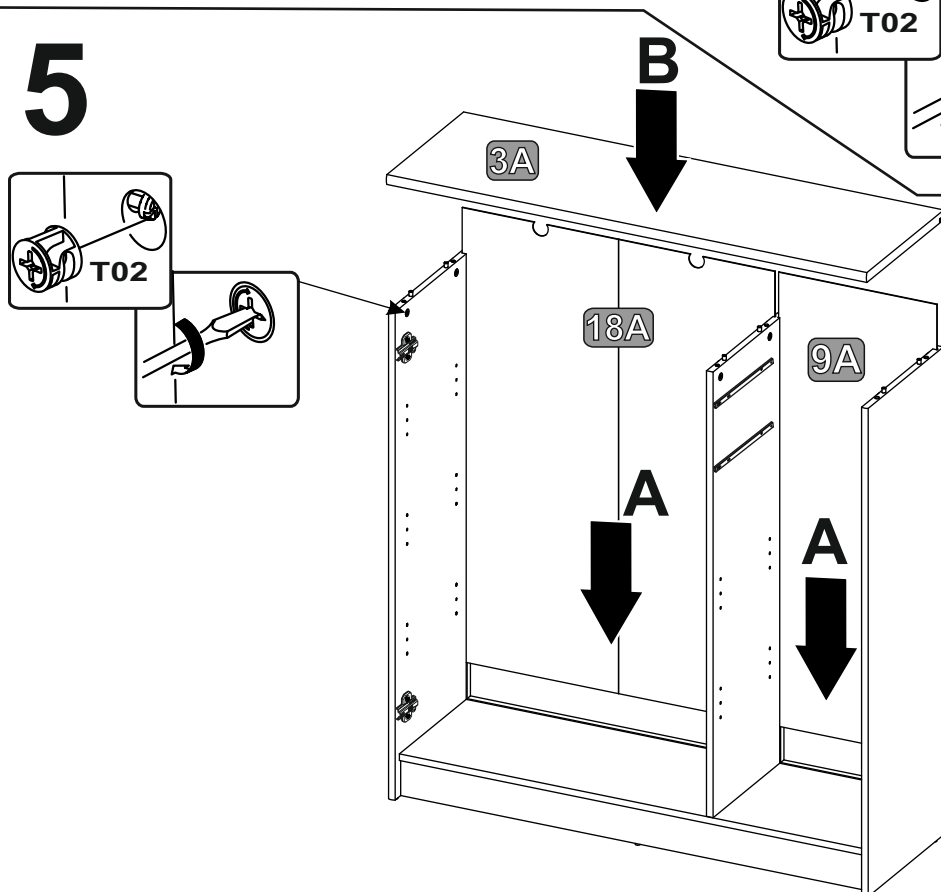
4



4x T02



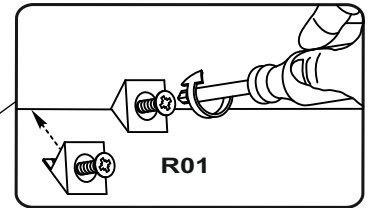
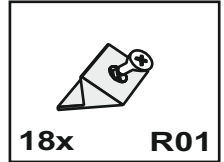
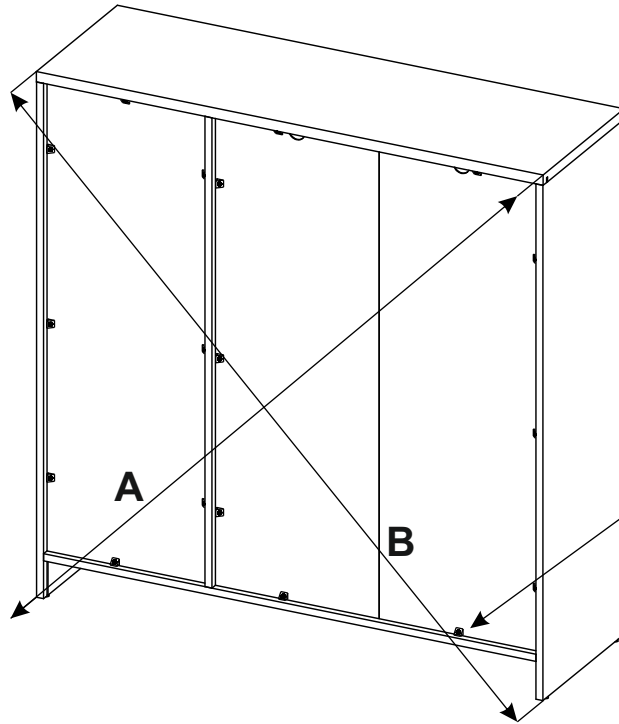
5



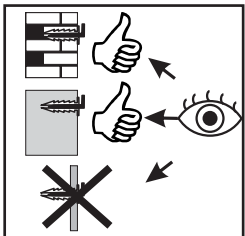
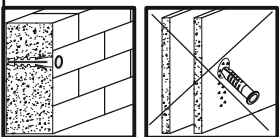
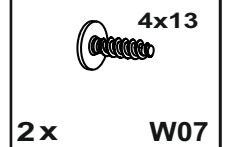
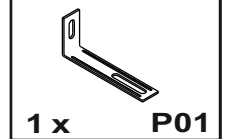
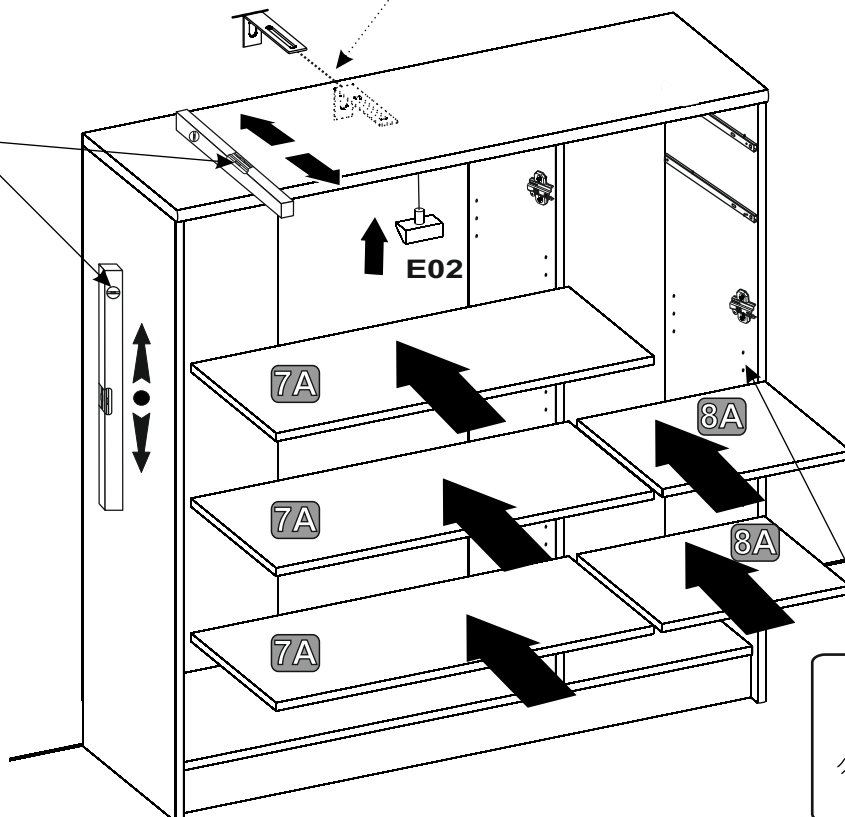
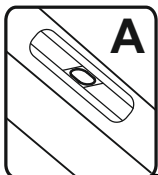
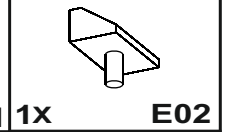
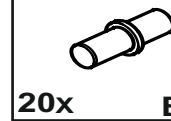
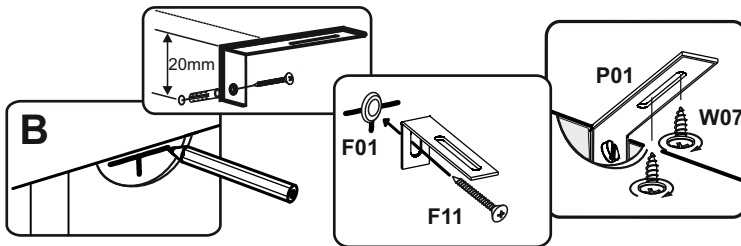
6x T02

6

A=B

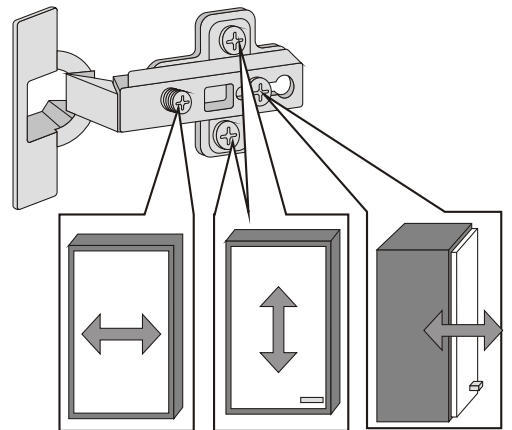
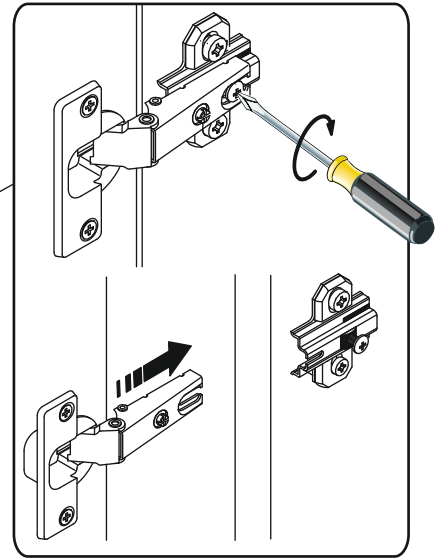
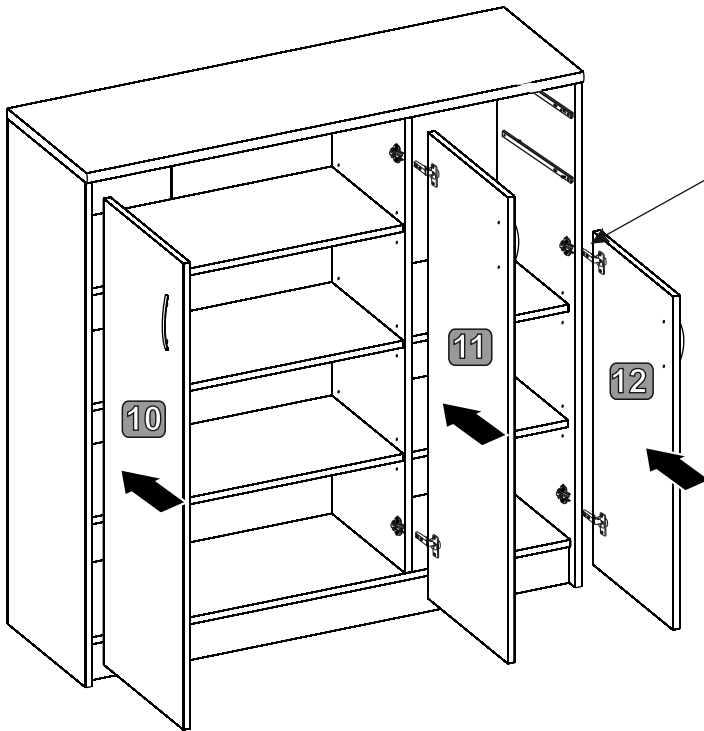


7



C 6/7

8



9

