



LE TRI + FACILE



FR

Pensez à donner ou recycler.



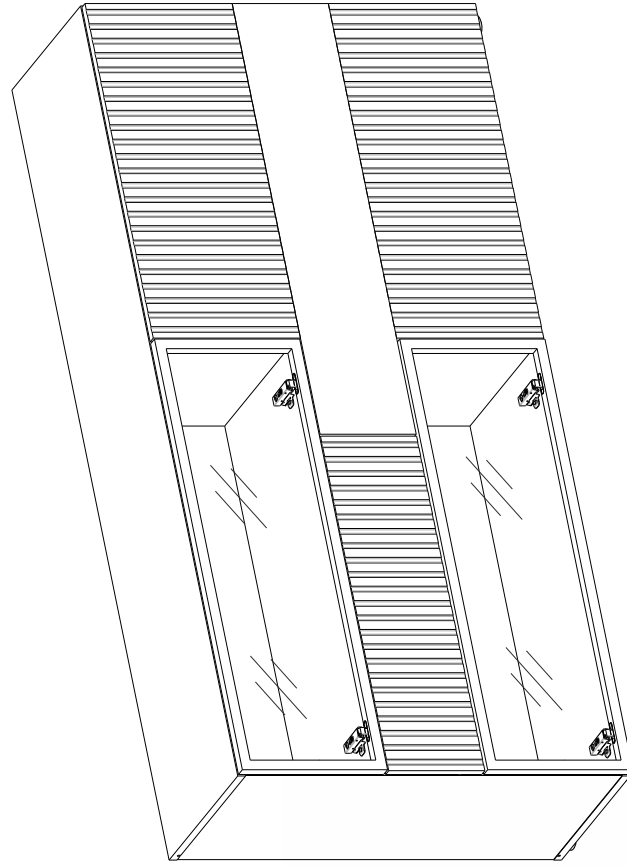
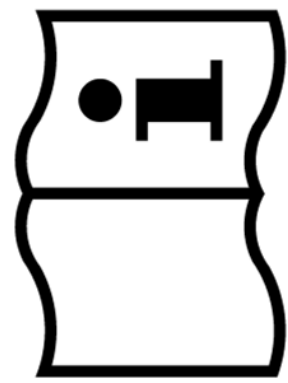
ou



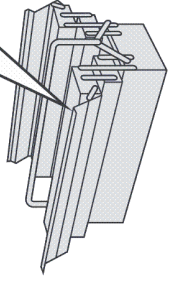
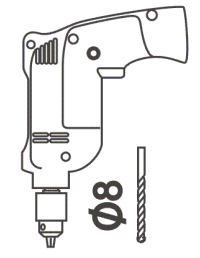
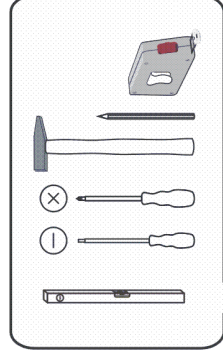
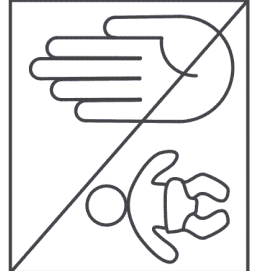
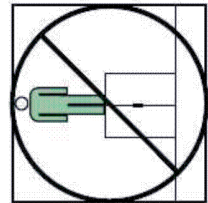
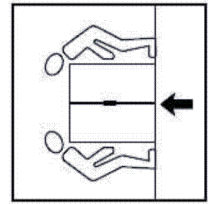
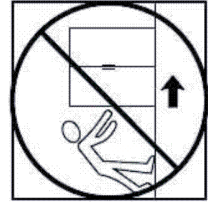
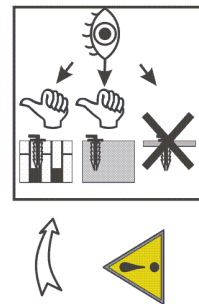
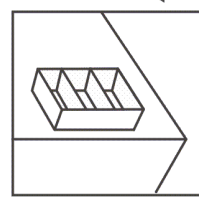
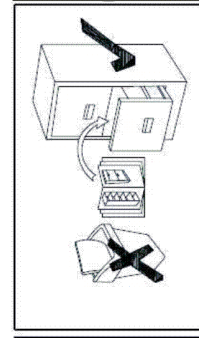
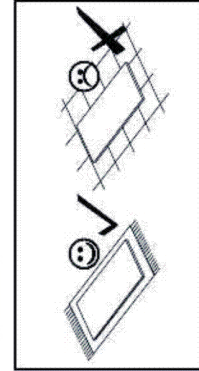
ou

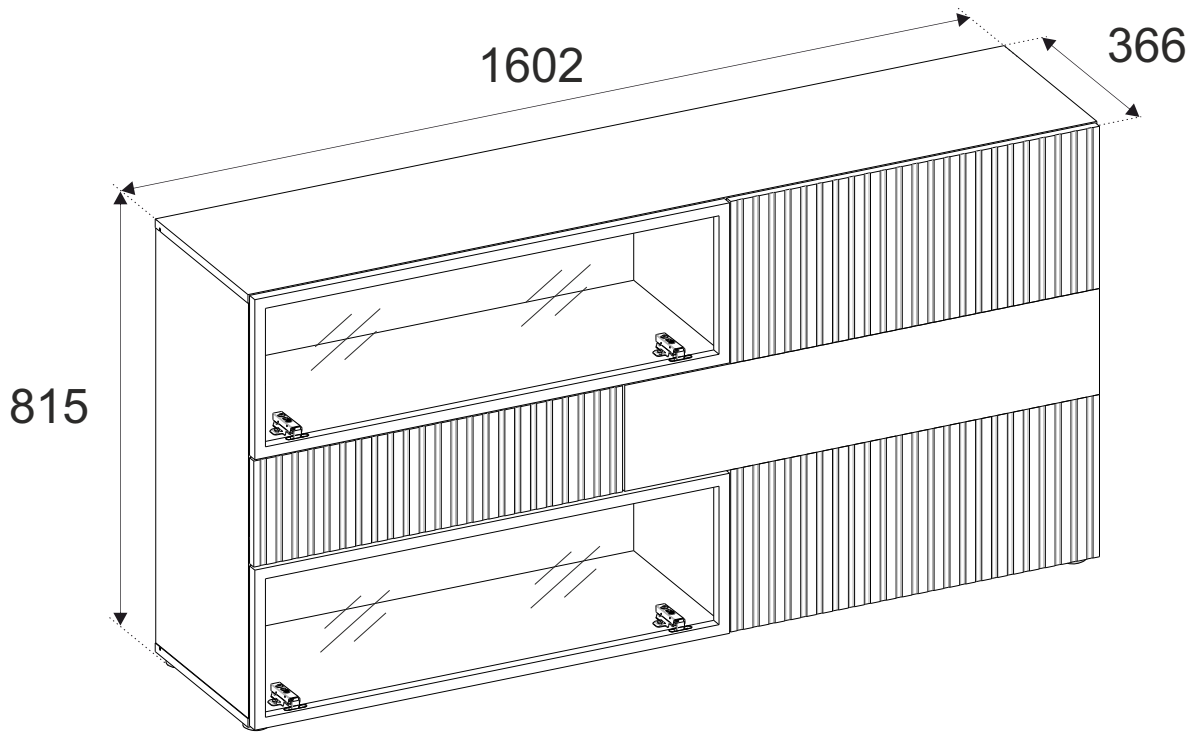
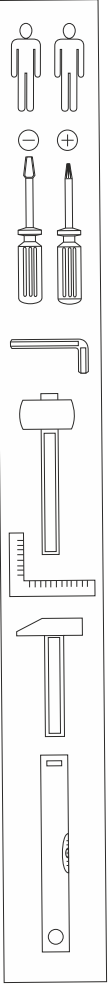


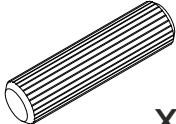
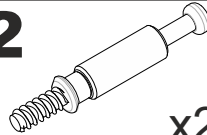
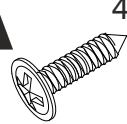
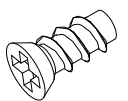
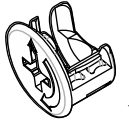



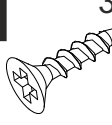
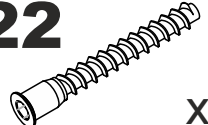


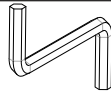
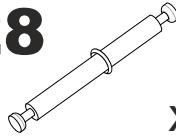
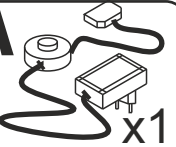
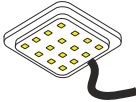
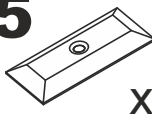
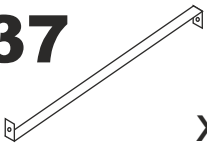
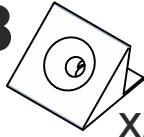
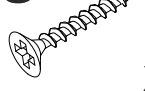
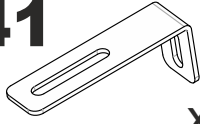
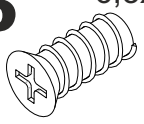
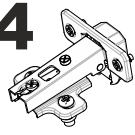
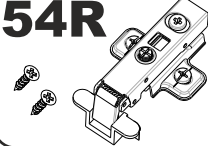
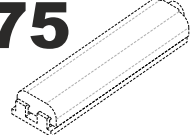
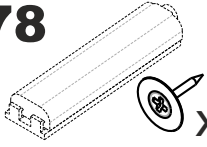
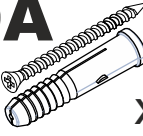
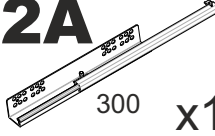
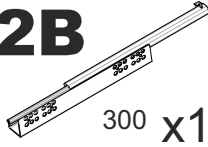
<https://quefairedemesdechets.fr>



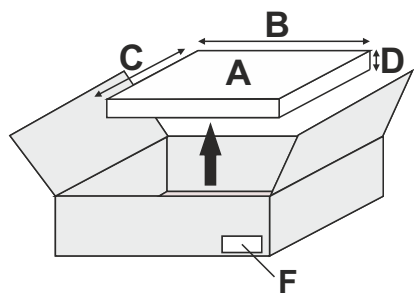
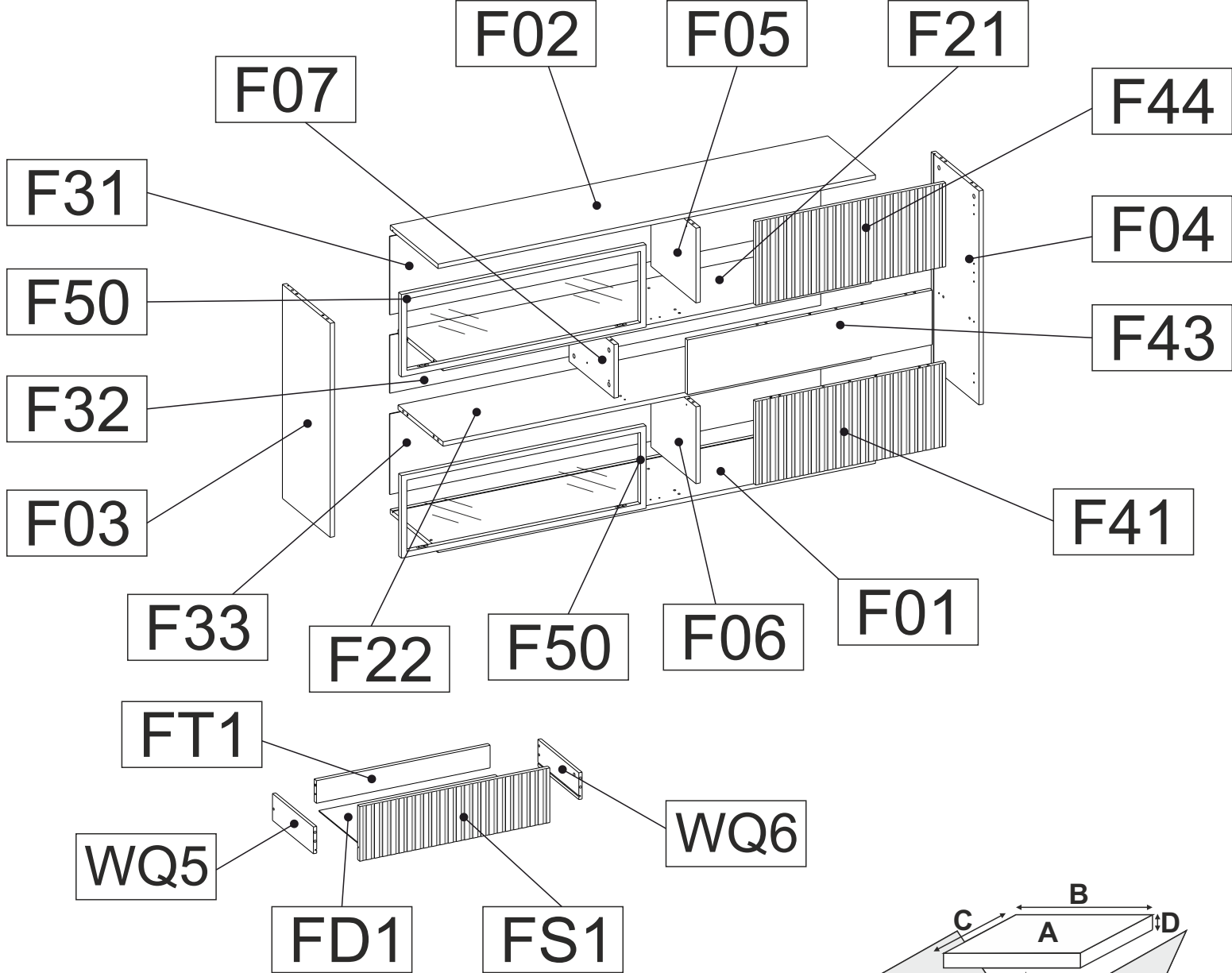
180 min





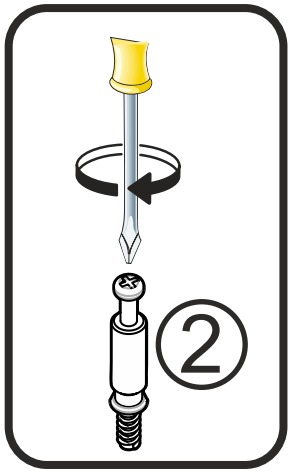
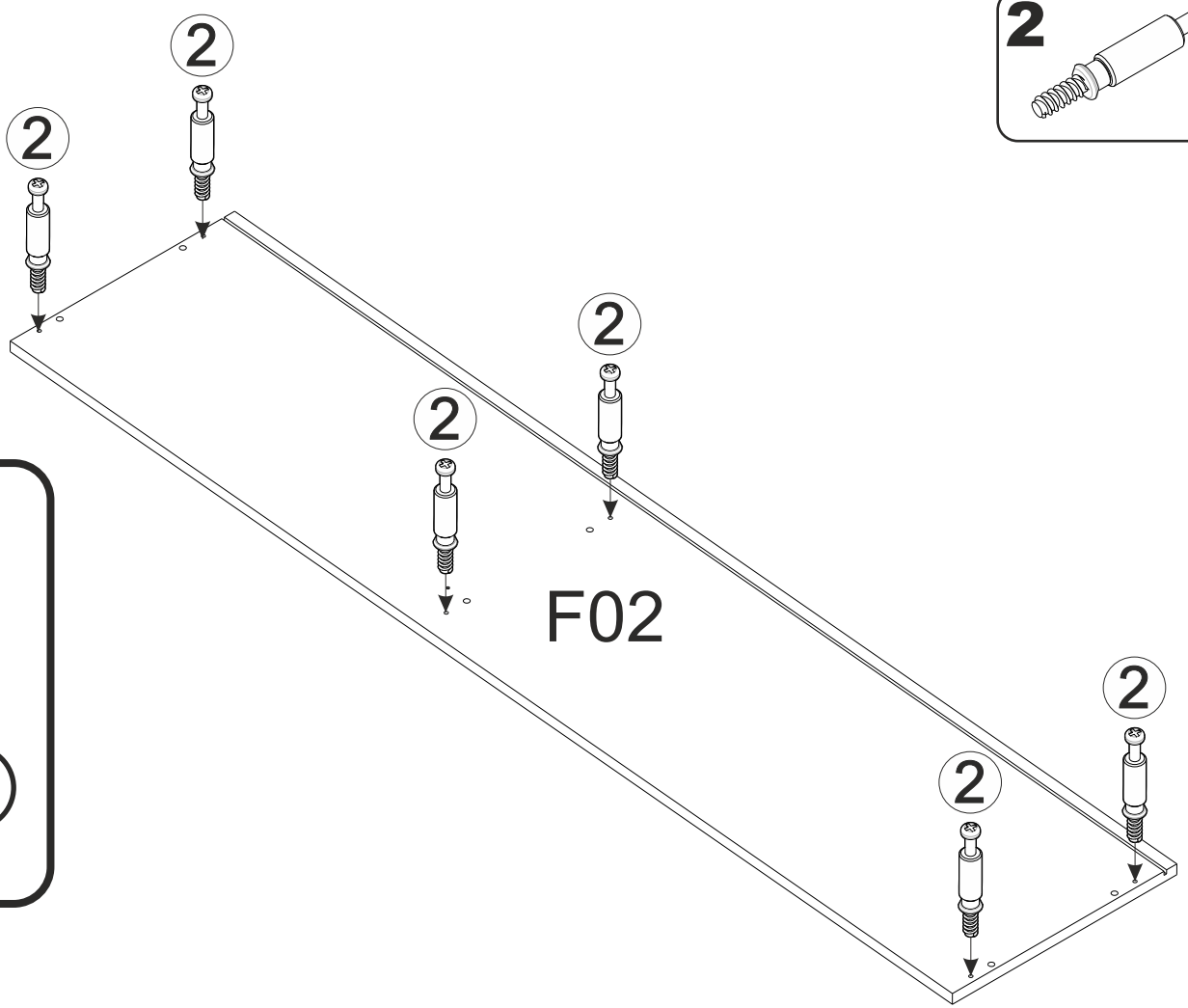
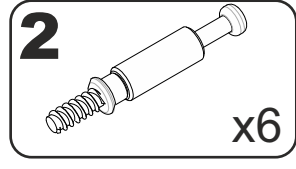
- |   |   |   |  |  |
|---|---|---|--|--|
| <b>1</b><br><br>x41   | <b>2</b><br><br>x24        | <b>4A</b> 4x16<br><br>x9   | <b>6</b> 5x13<br><br>x6     | <b>9</b> ø15<br><br>x34   |
| <b>9A</b><br><br>x28 | <b>9B</b><br><br>x6        | <b>10</b><br><br>x5        | <b>11</b> 3.5x13<br><br>x14 | <b>22</b><br><br>x8       |
| <b>22A</b><br><br>x8 | <b>24</b> ø12<br><br>x2    | <b>26</b><br><br>x1        | <b>28</b><br><br>x6         | <b>30A</b><br><br>x1      |
| <b>30B</b><br><br>x2 | <b>35</b><br><br>x16       | <b>37</b><br><br>x1        | <b>38</b><br><br>x29        | <b>39</b> 3x20<br><br>x59 |
| <b>41</b><br><br>x1   | <b>45</b> 6,3x13<br><br>x4 | <b>54</b> ø35<br><br>x3    | <b>54R</b><br><br>x4         | <b>75</b><br><br>x3       |
| <b>78</b><br><br>x1  | <b>80A</b><br><br>x1       | <b>92A</b> 300<br><br>x1 | <b>92B</b> 300<br><br>x1    |  |



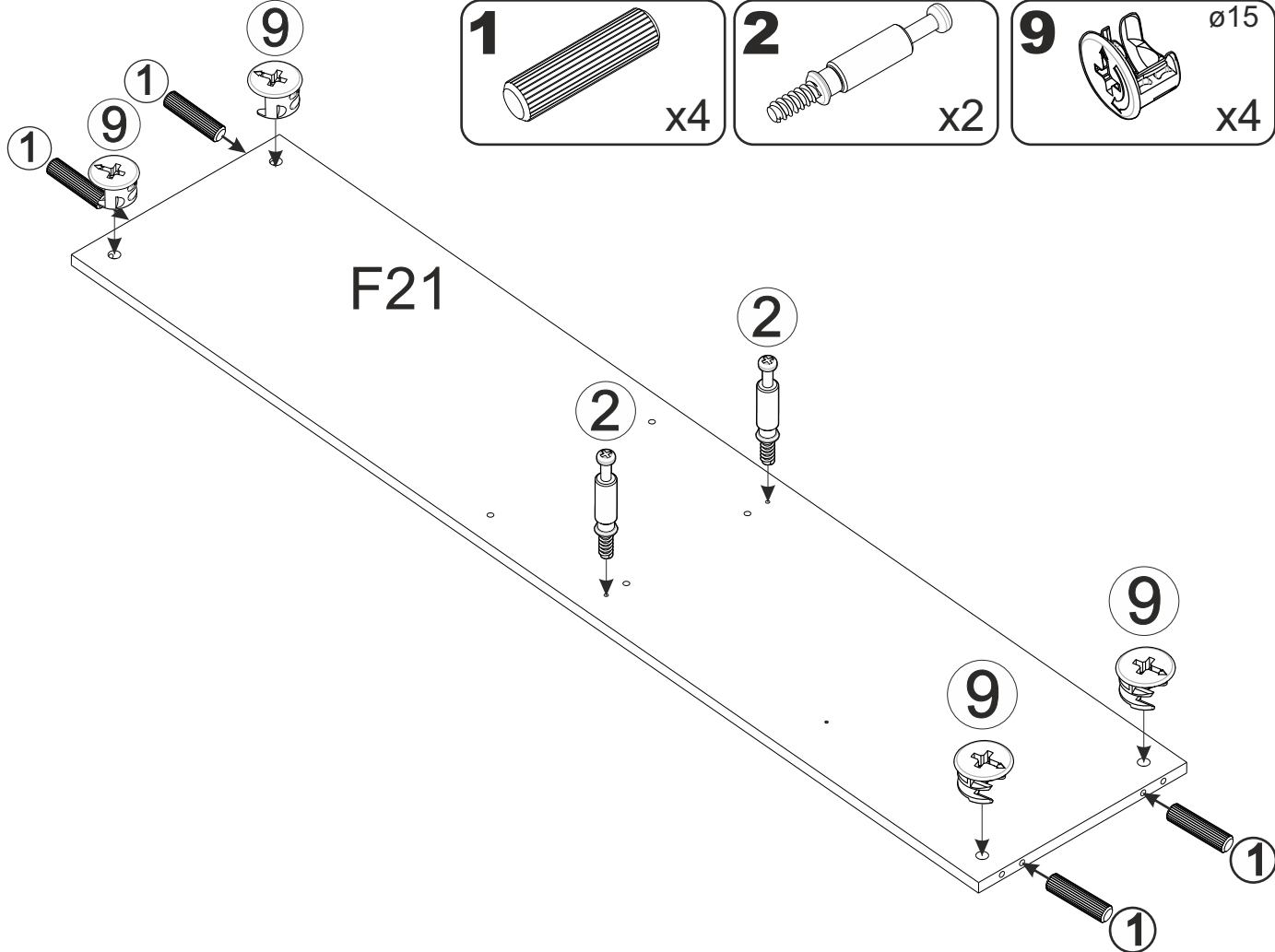
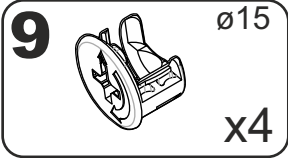
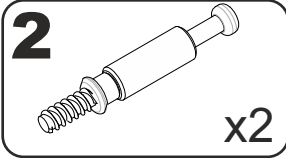
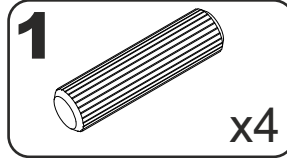


A	B_(mm)	C_(mm)	D_(mm)	E	F
F50	896	296	20	2	1 2
F01	1602	350	16	1	2 2
F02	1602	350	16	1	2 2
F03	768	350	16	1	1 2
F04	768	350	16	1	1 2
F05	268	330	16	1	2 2
F06	276	330	16	1	2 2
F07	192	330	16	1	2 2
F21	1568	330	16	1	2 2
F22	1568	330	16	1	2 2
F31	1578	281	3	1	2 2
F32	1578	208	3	1	2 2
F33	1578	289	3	1	2 2
F41	300	696	16	1	1 2
FS1	196	696	16	1	1 2
F43	896	196	16	1	1 2
F44	300	696	16	1	1 2
FD1	646	303	3	1	1 2
FT1	636	81	16	1	1 2
WQ5	300	96	12	1	1 2
WQ6	300	96	12	1	1 2

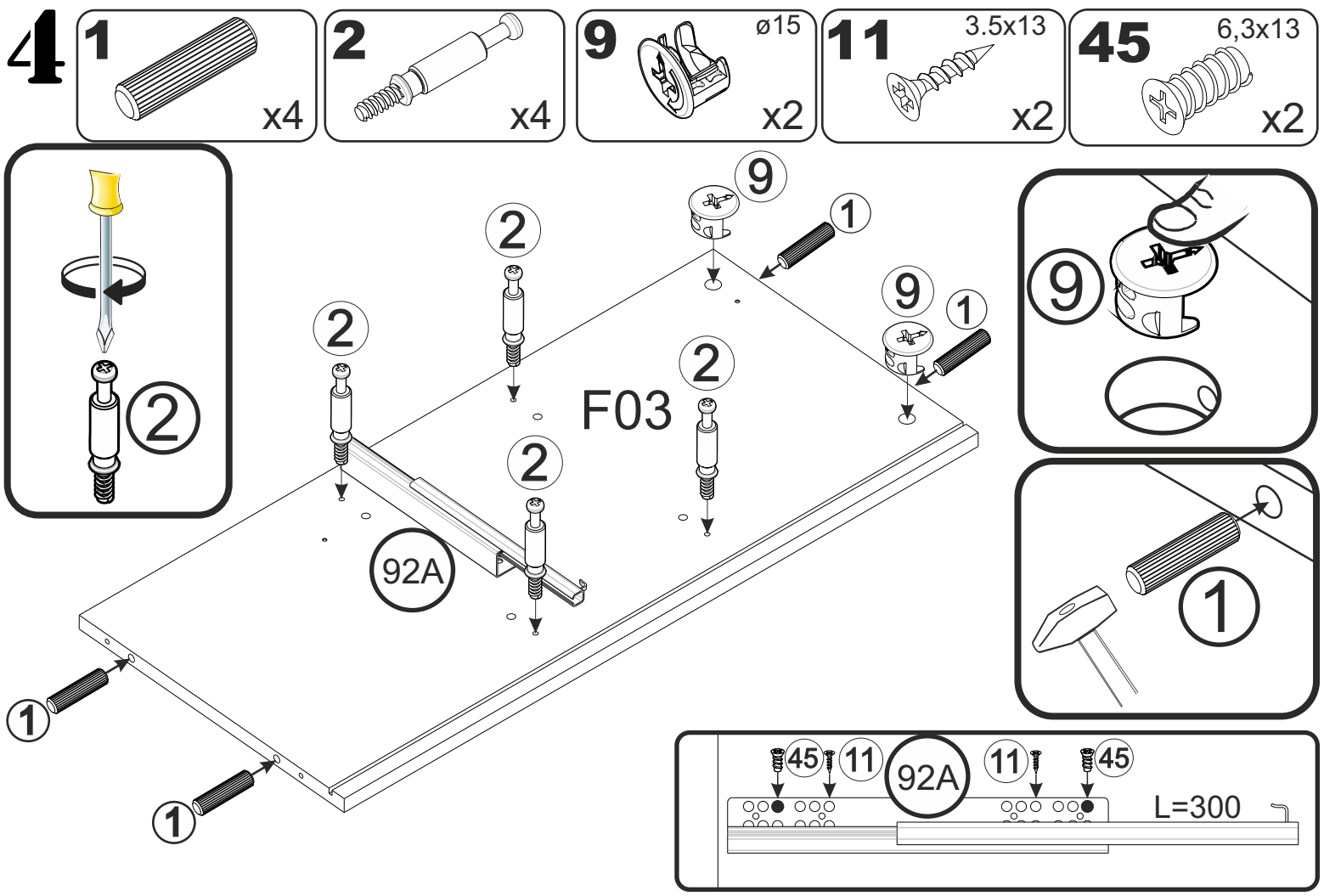
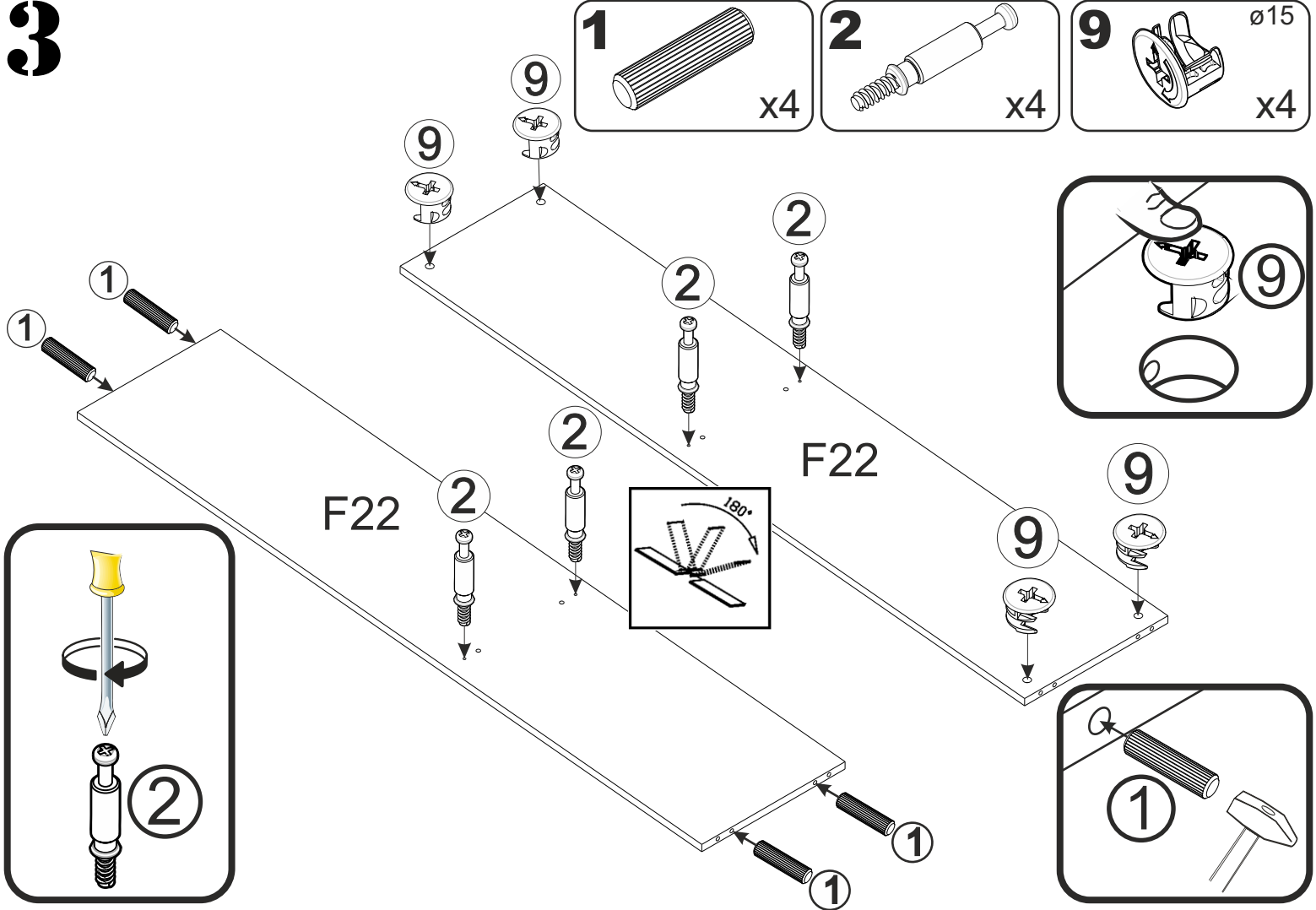
# 1



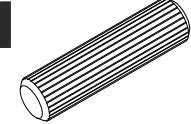
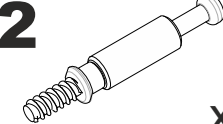
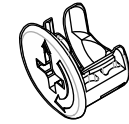
# 2

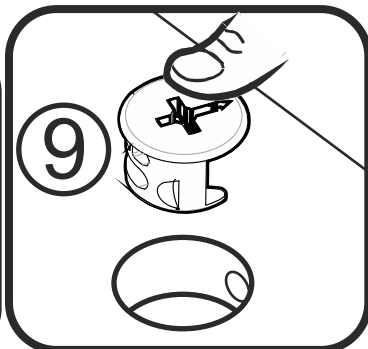
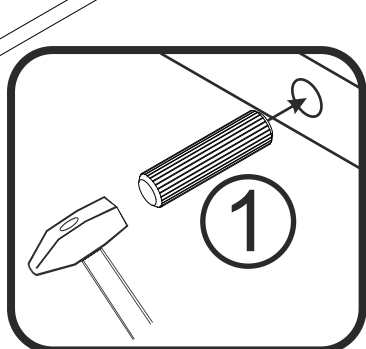
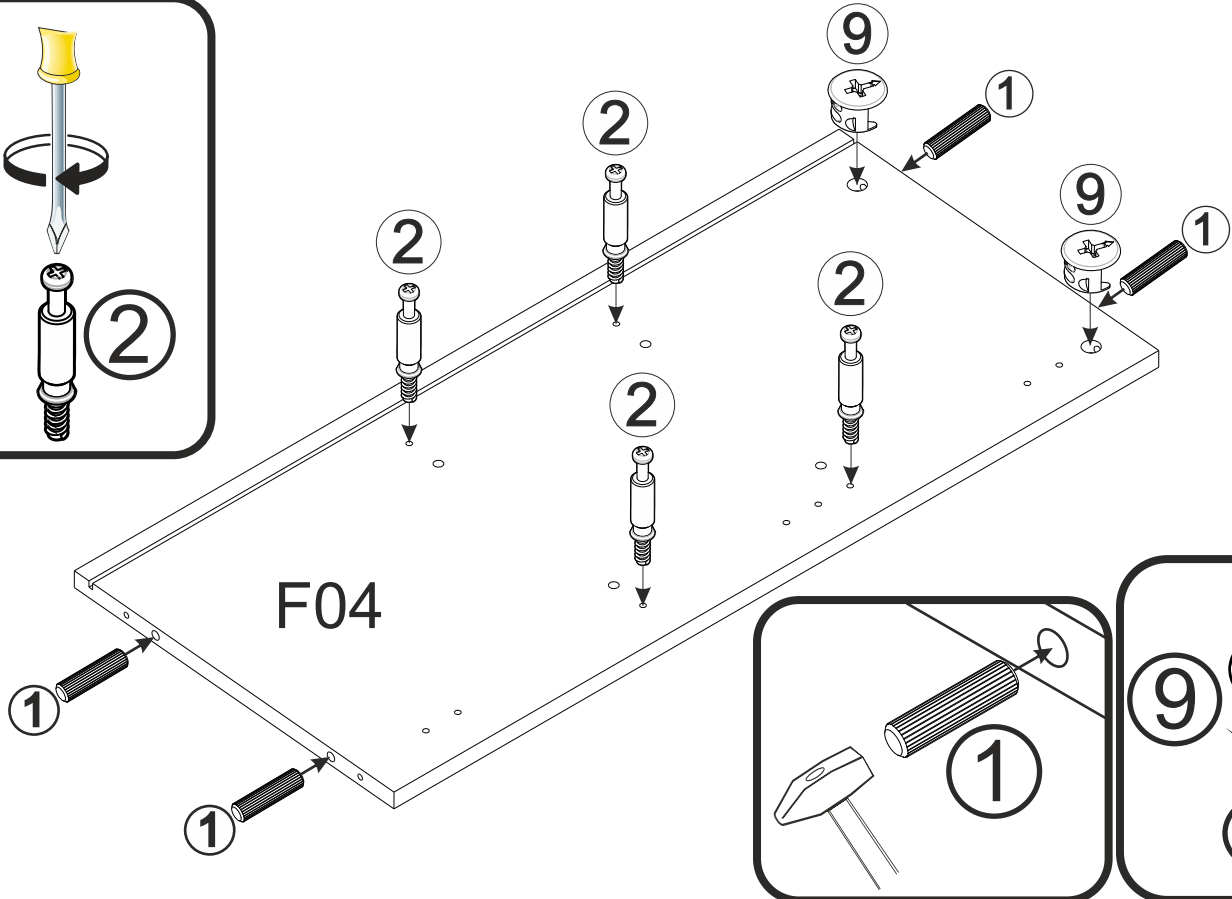
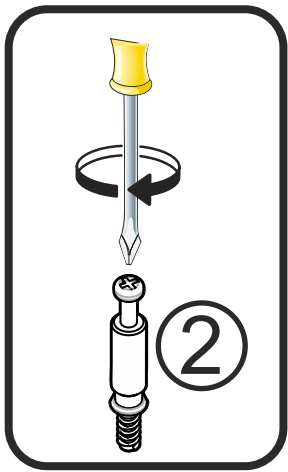


# 3

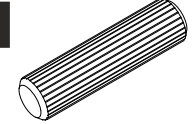
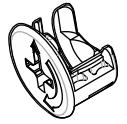
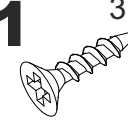
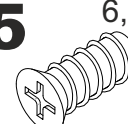


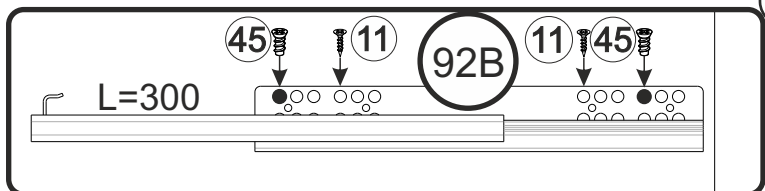
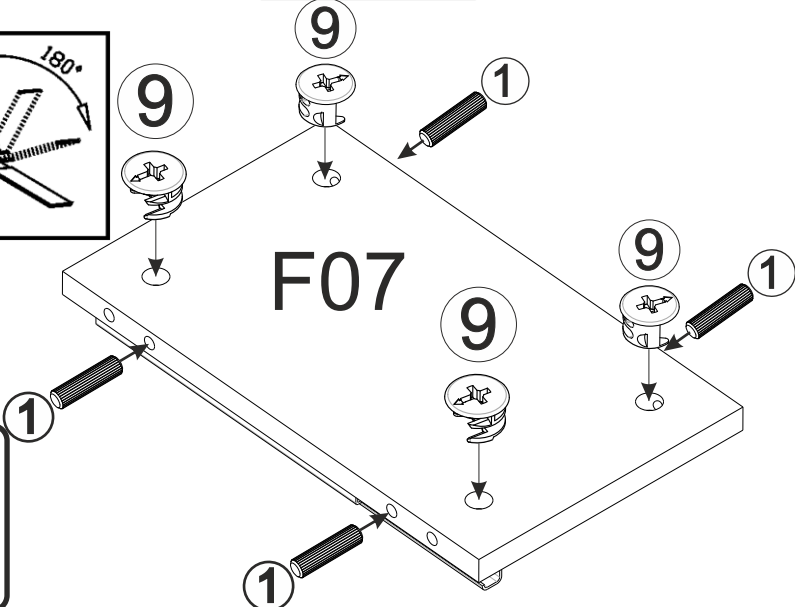
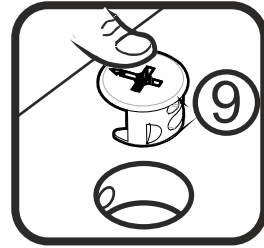
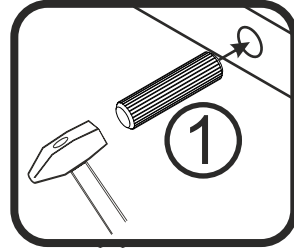
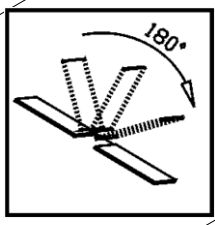
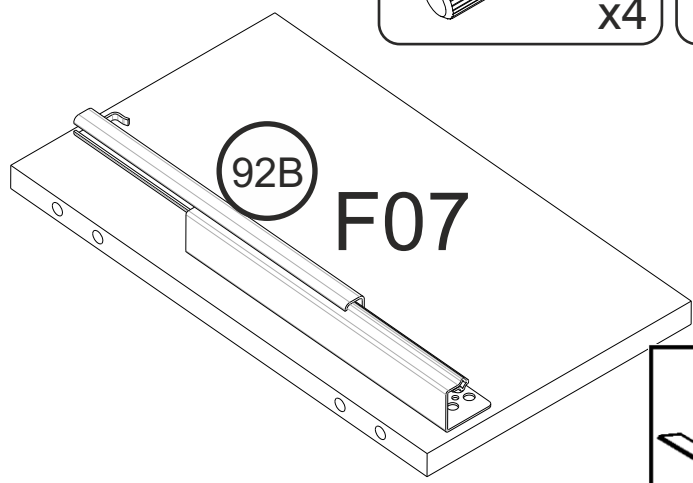
# 5

- 1**  x4
- 2**  x4
- 9**  ø15  
x2

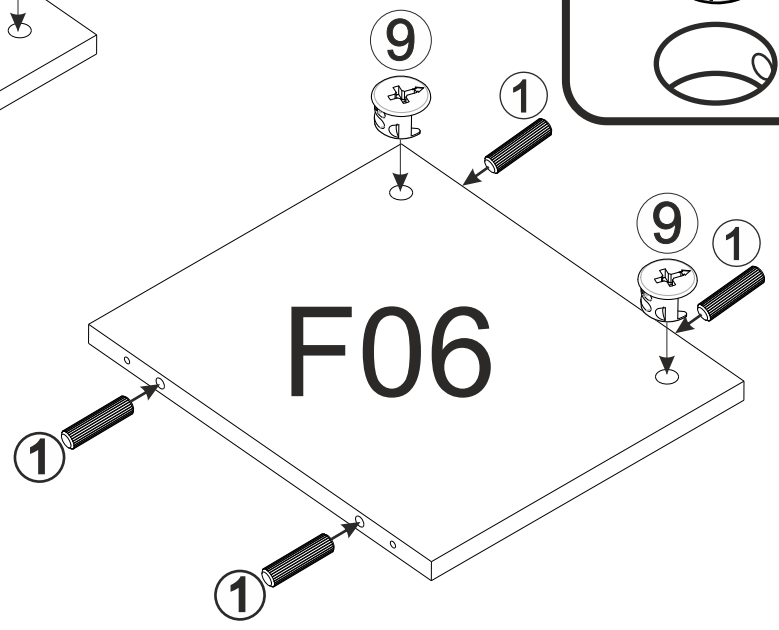
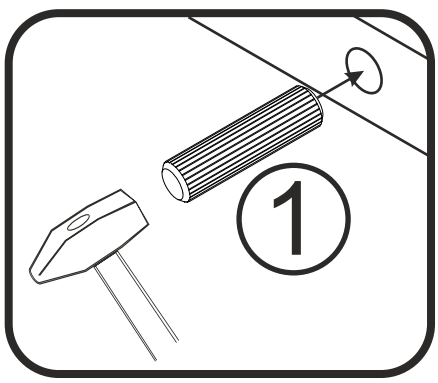
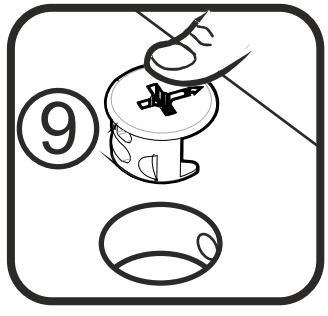
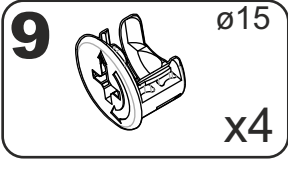
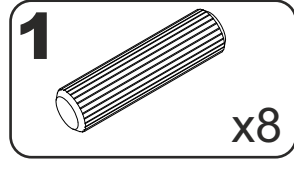
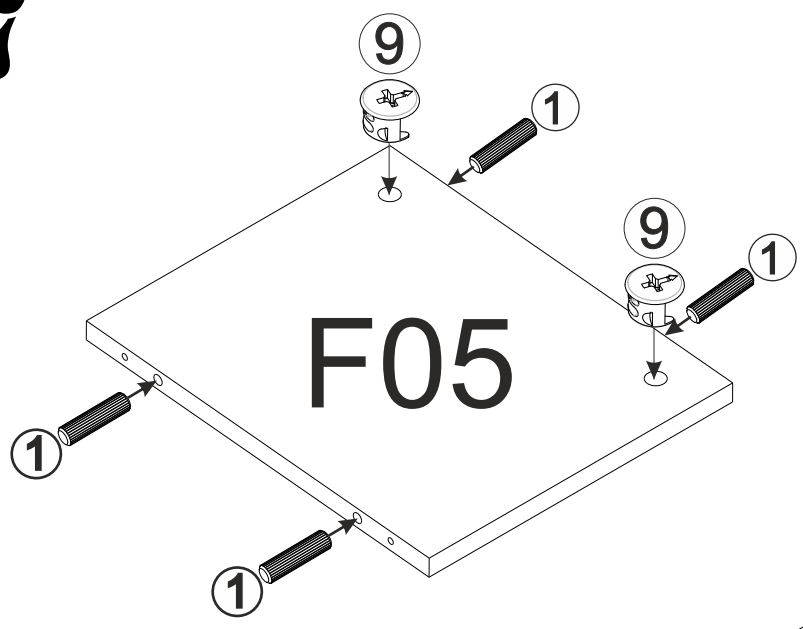


# 6

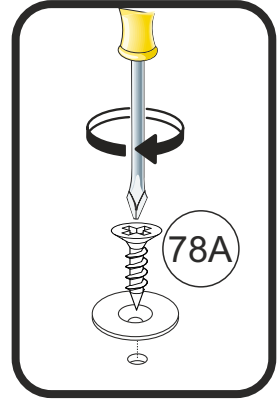
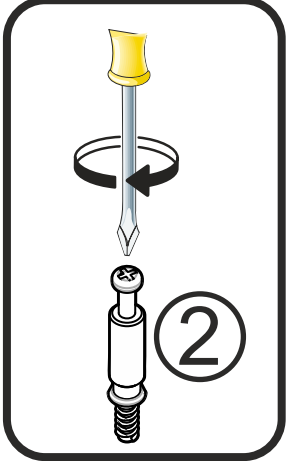
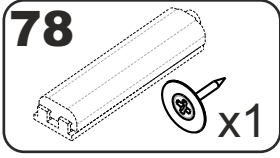
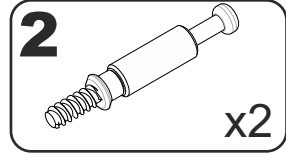
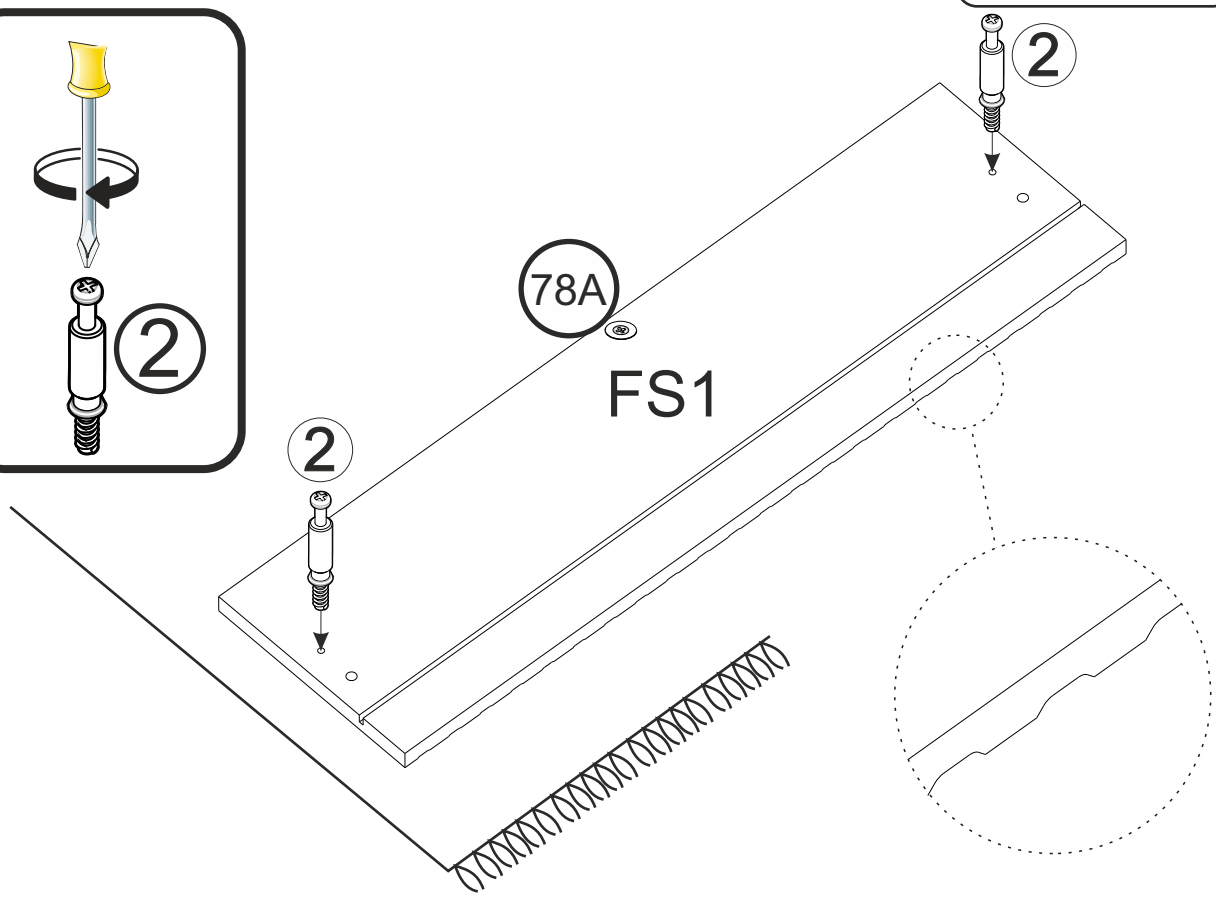
- 1**  x4
- 9**  ø15  
x4
- 11**  3.5x13  
x2
- 45**  6,3x13  
x2



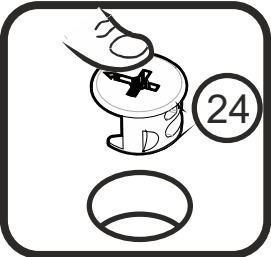
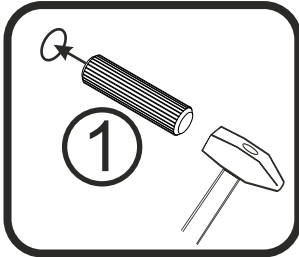
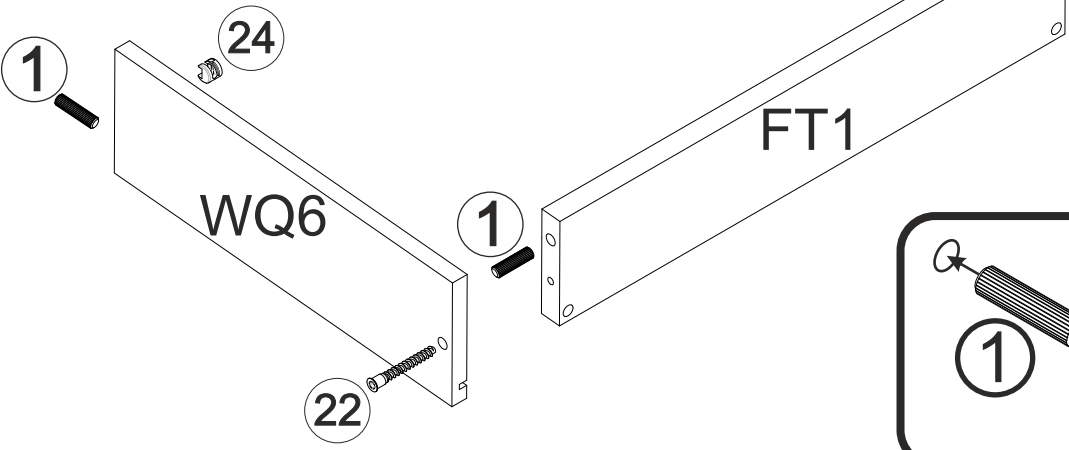
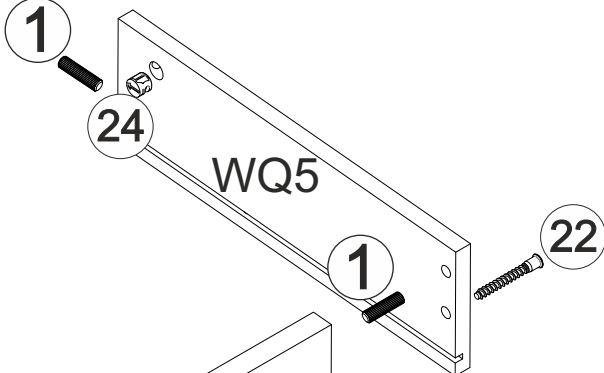
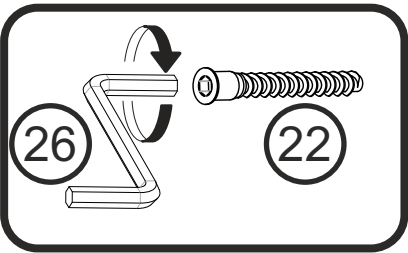
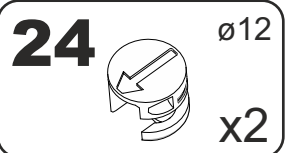
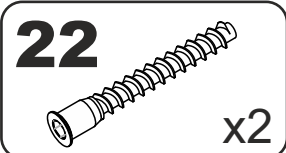
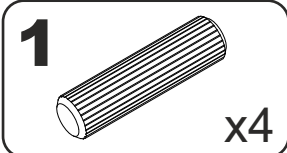
7



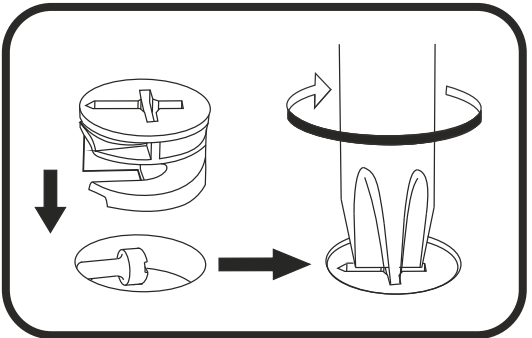
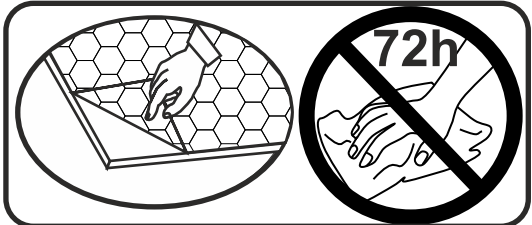
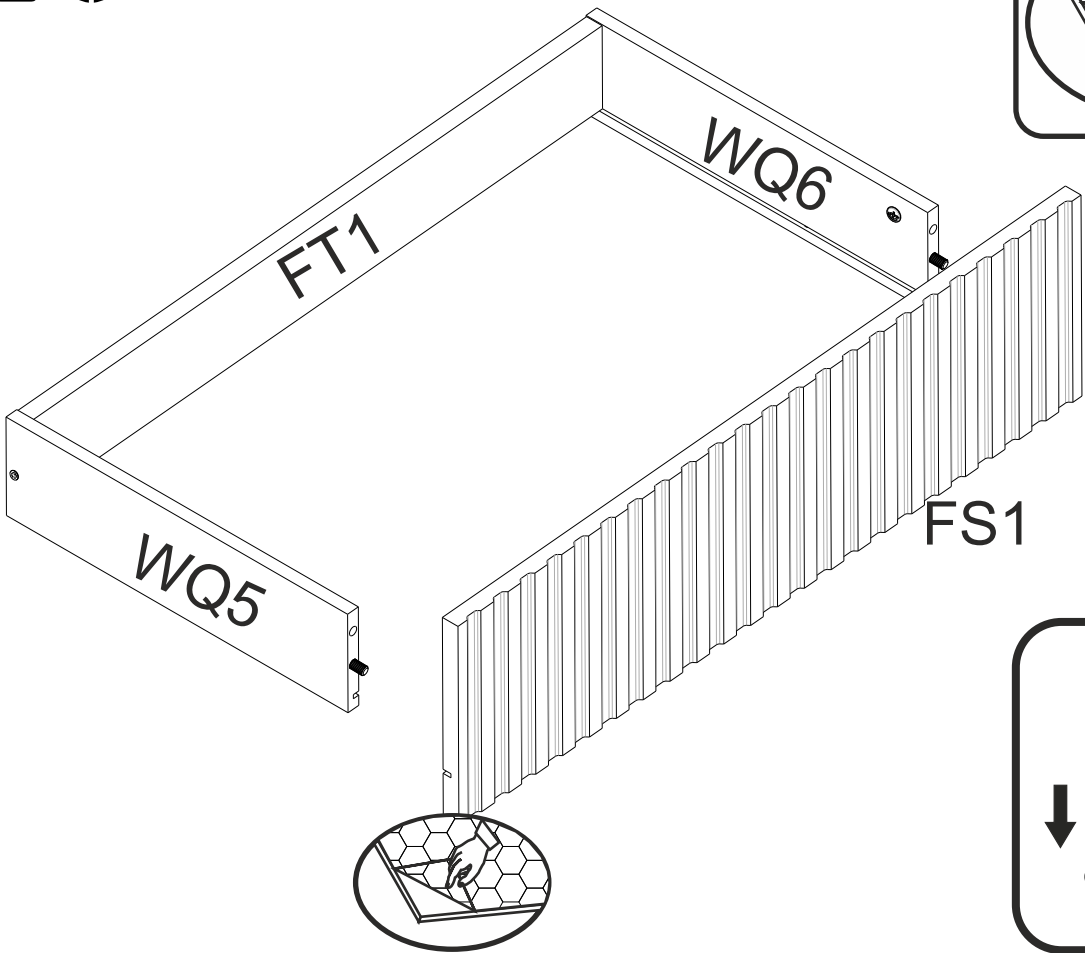
8



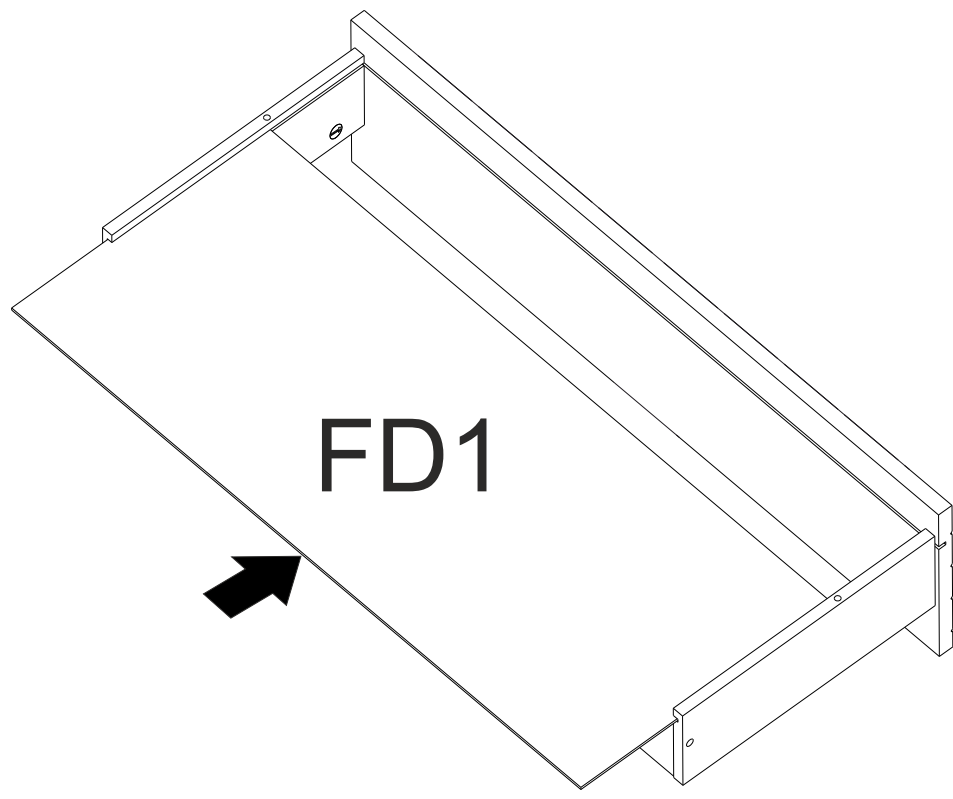
# 9



# 10

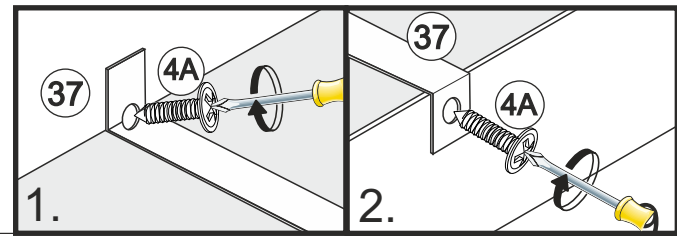
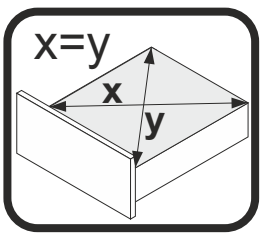
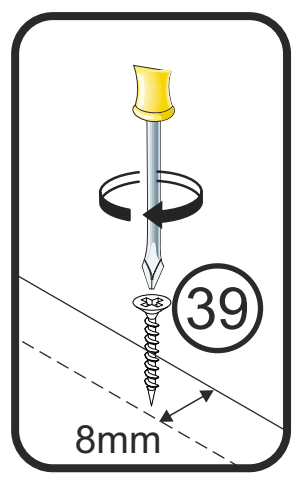
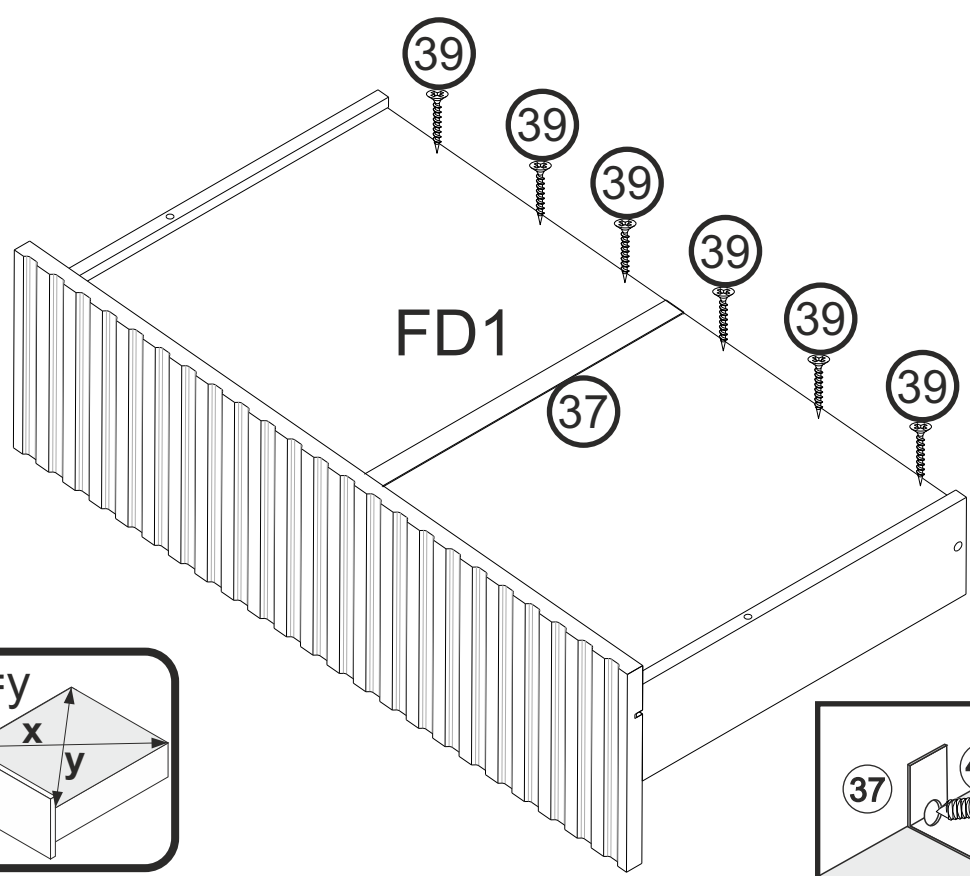


# 11




# 12

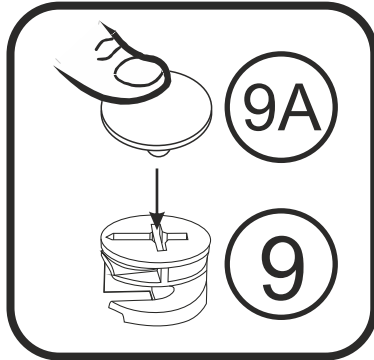
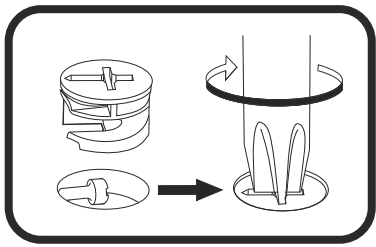
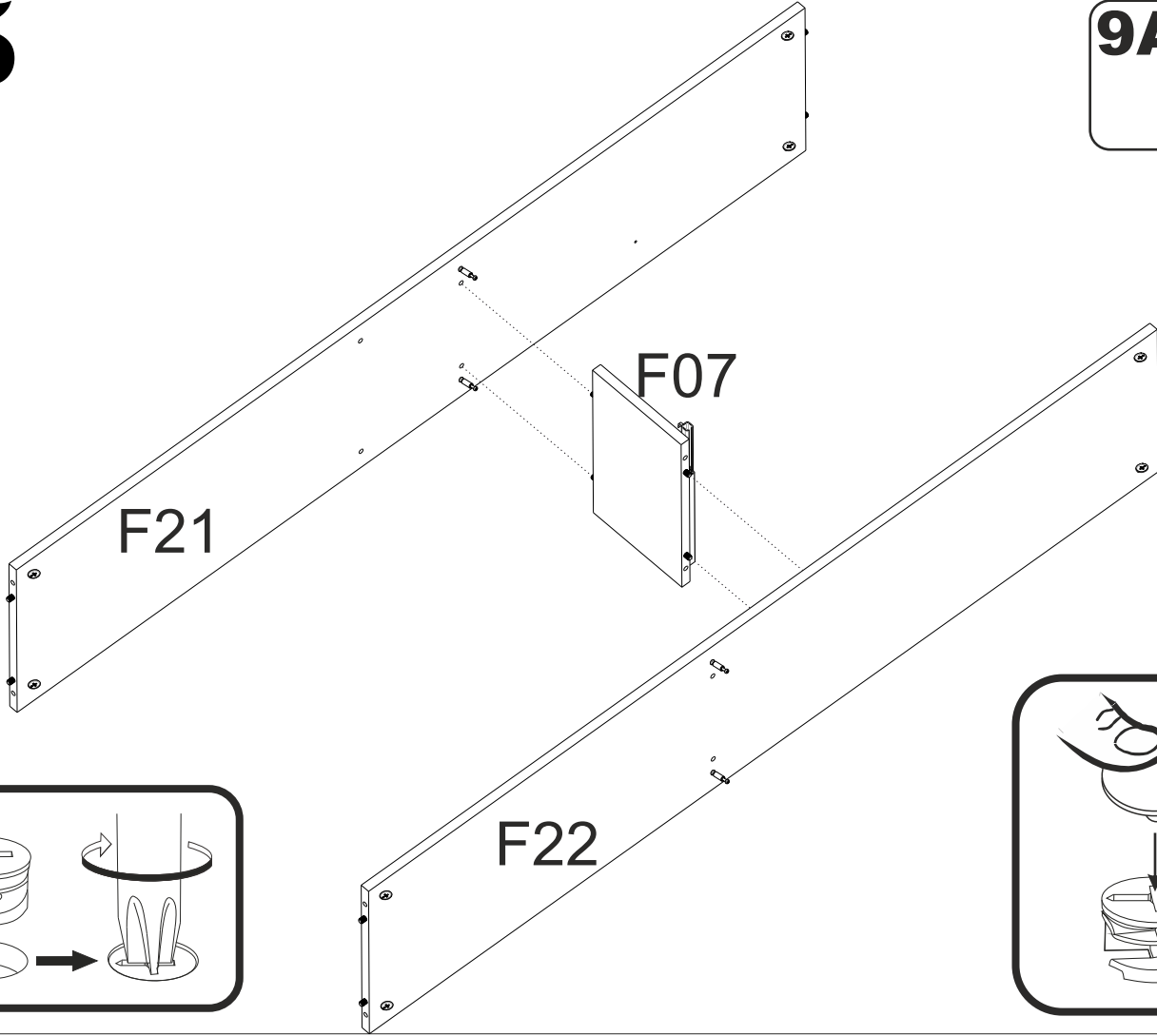
- 4A** 4x16 x2
- 37** x1
- 39** 3x20 x6






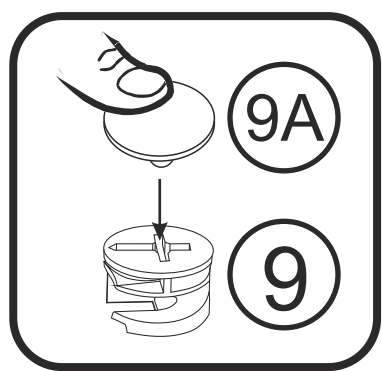
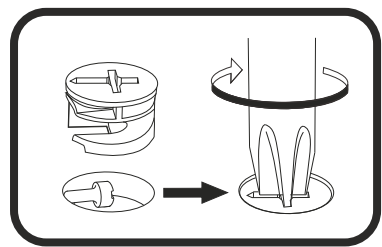
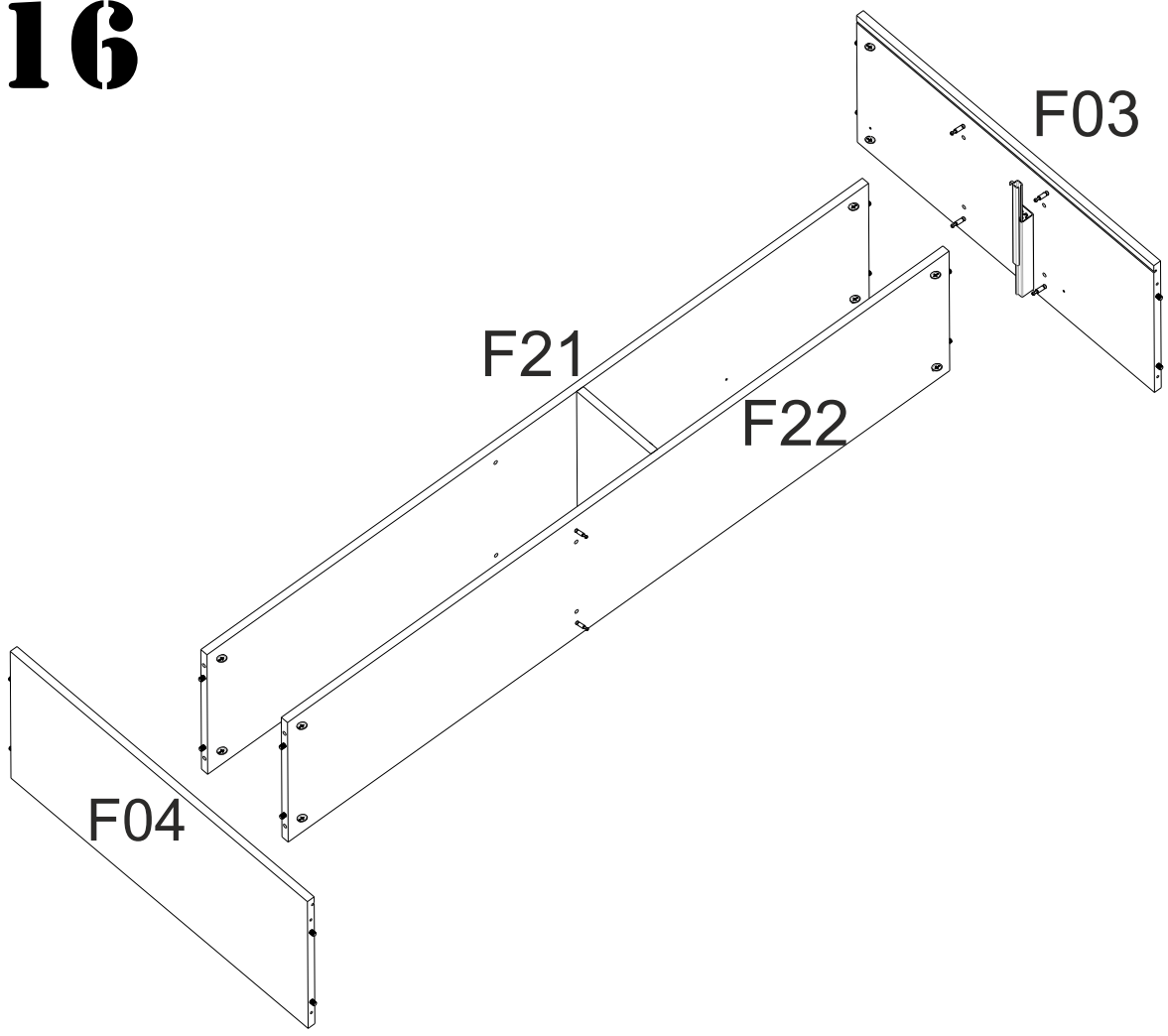
# 15

**9A**  x4

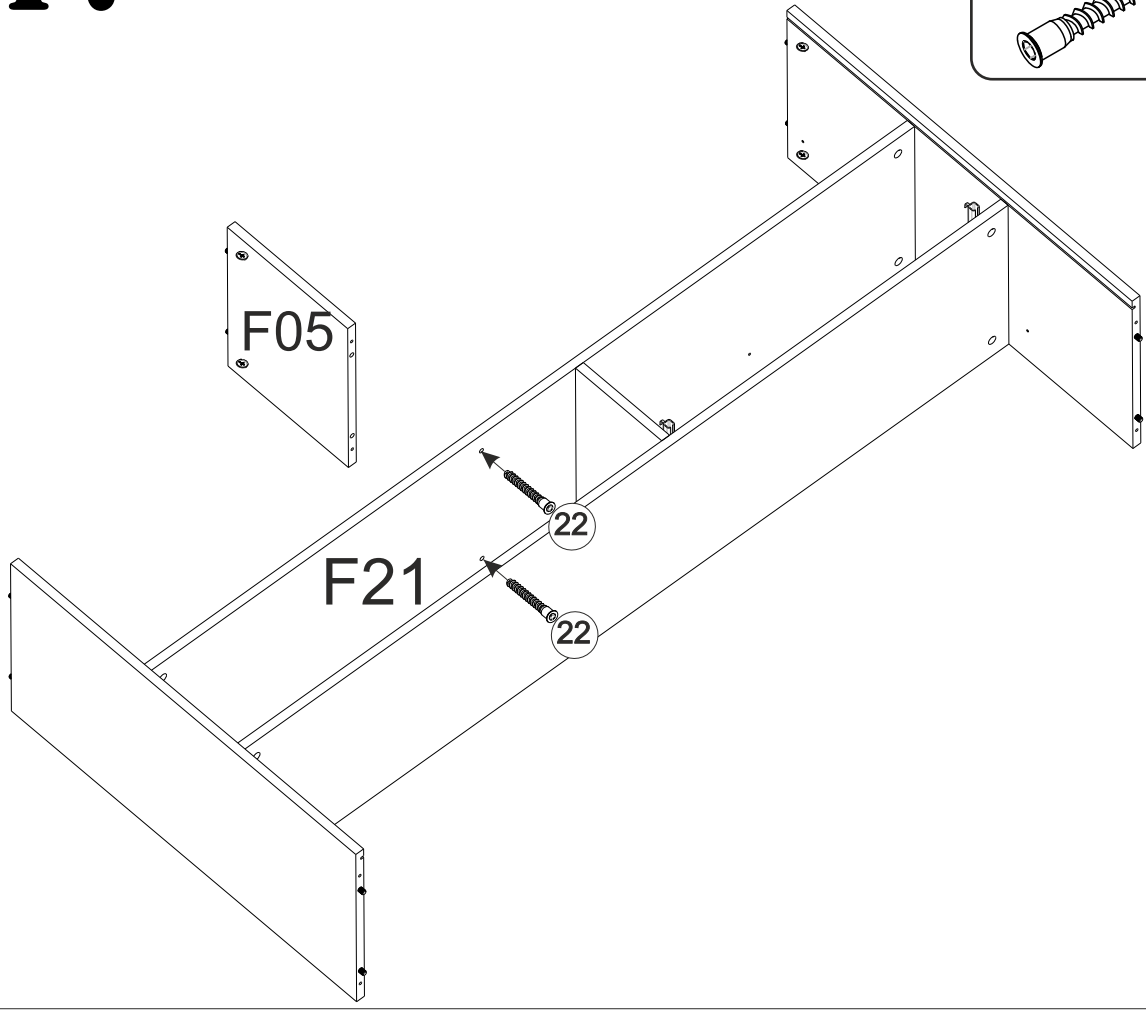


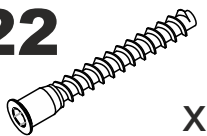
# 16


**9A**  x8

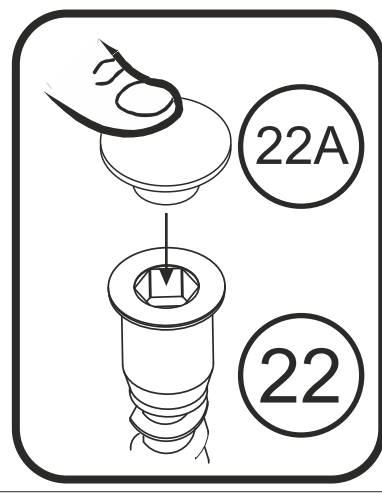
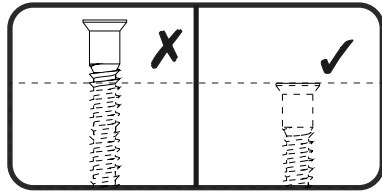
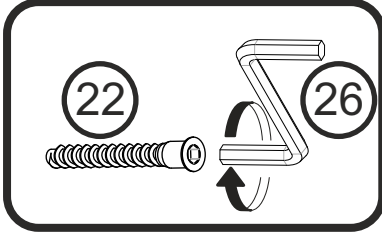


# 17

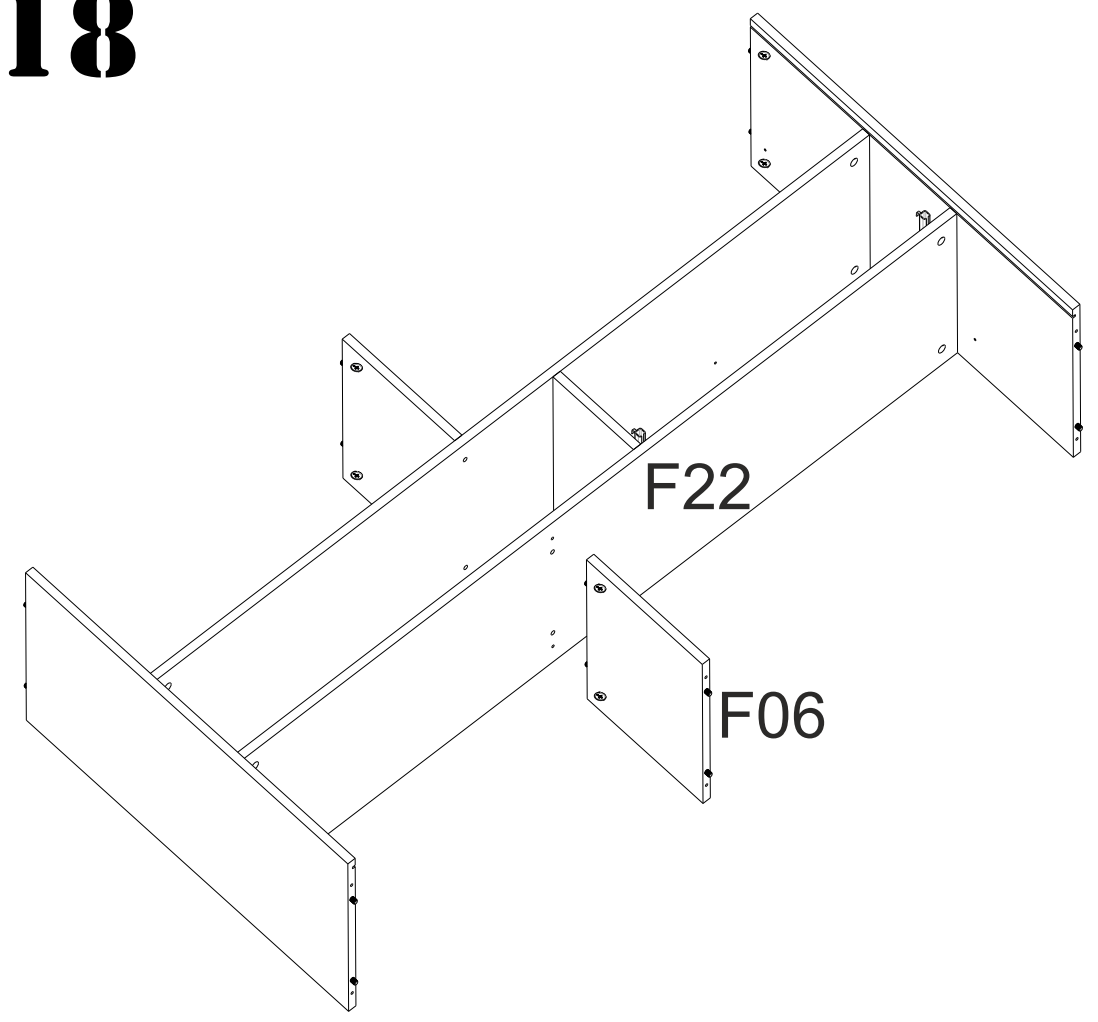



**22**  x2

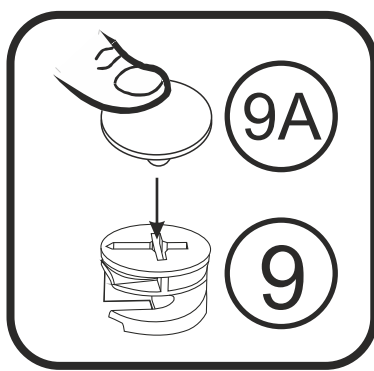
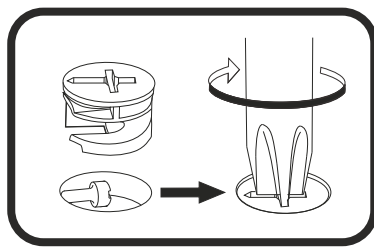
**22A**  x2



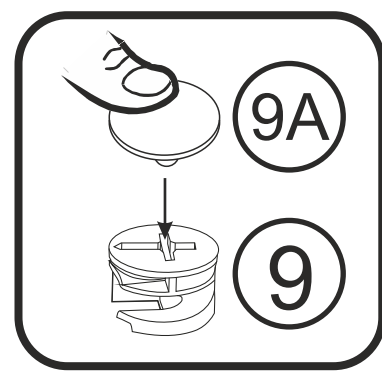
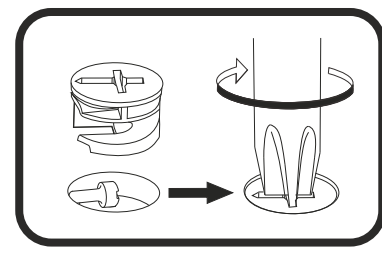
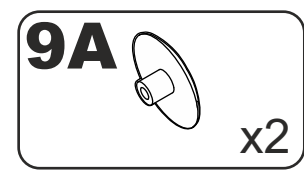
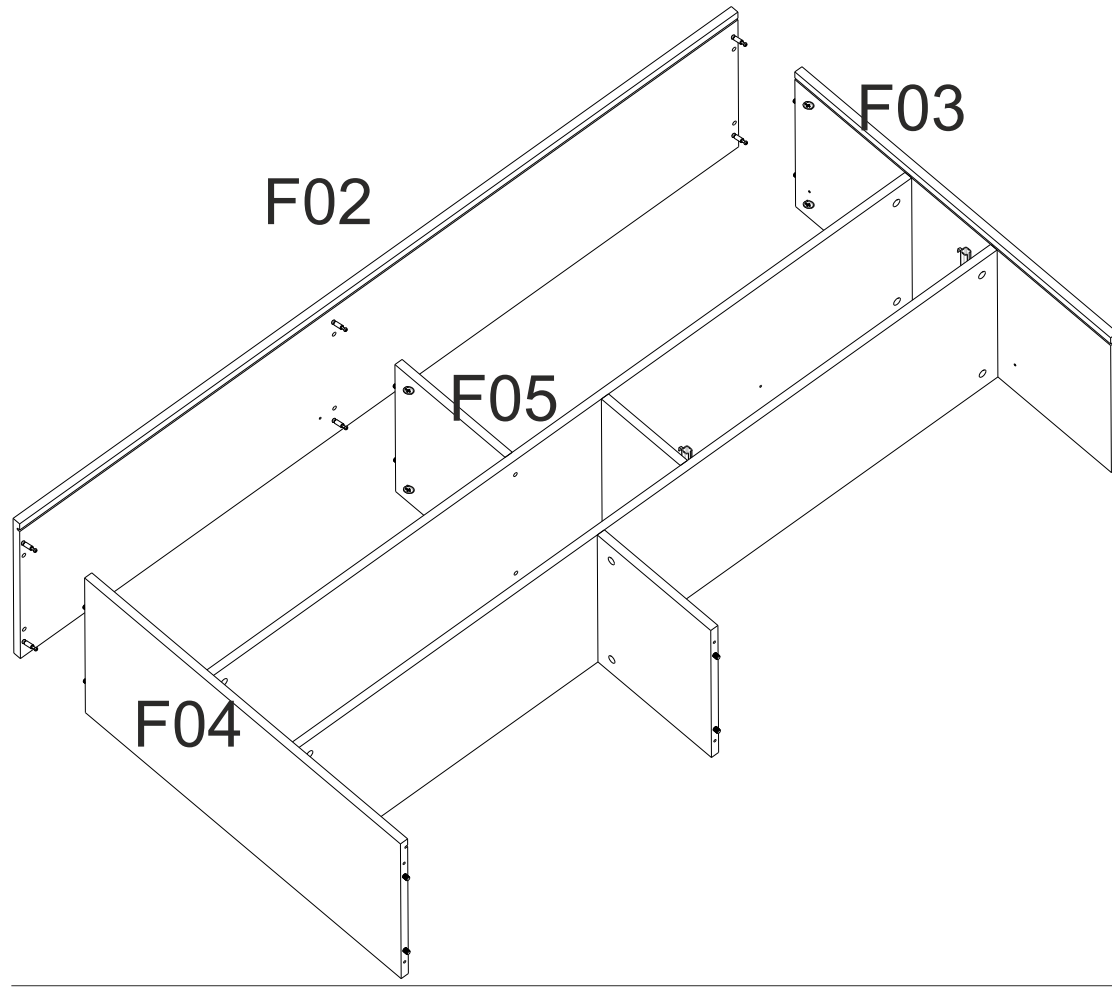
# 18



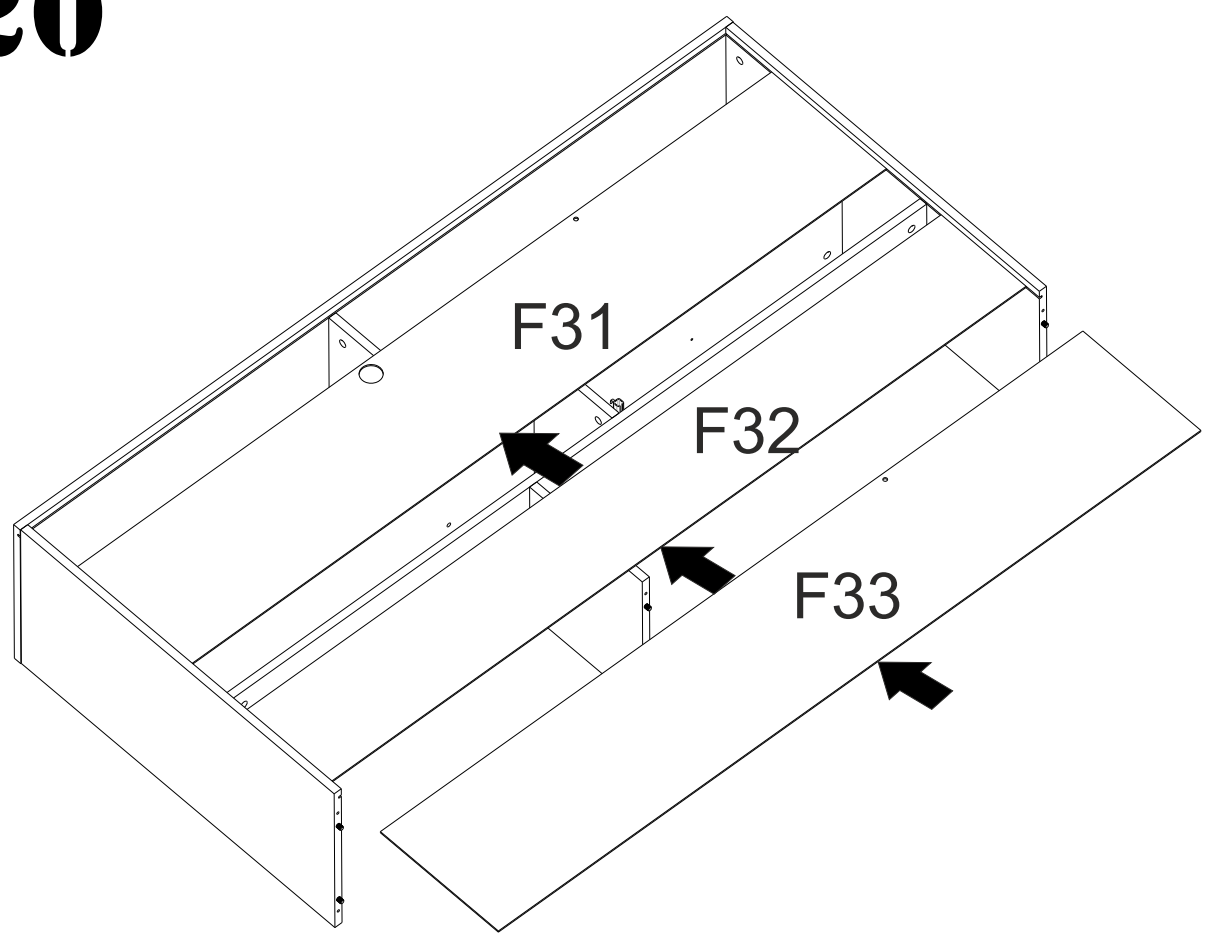
**9A**  x2



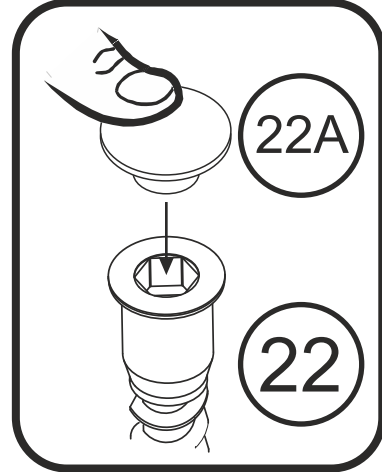
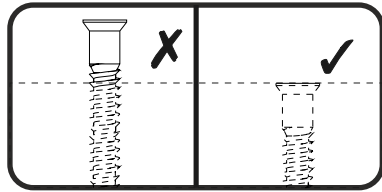
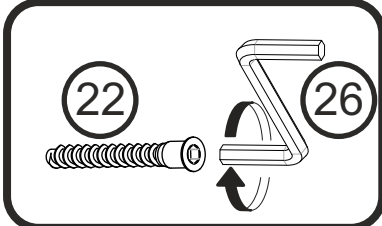
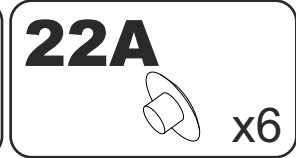
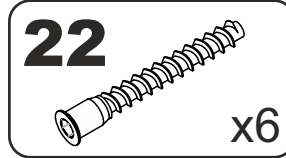
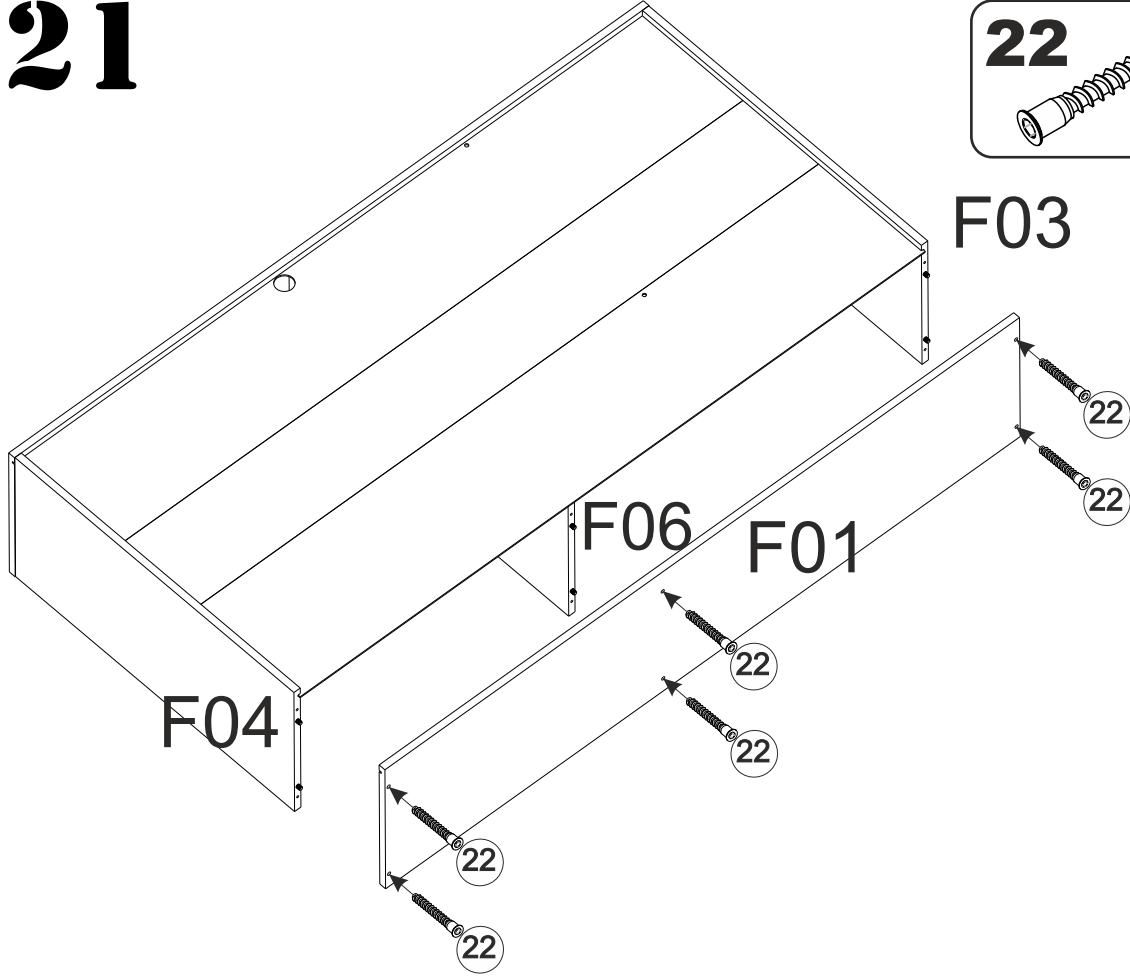
# 19



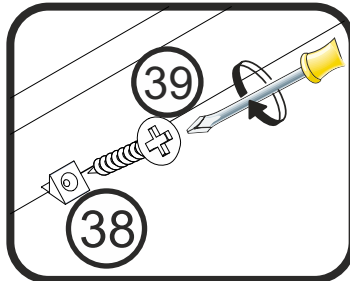
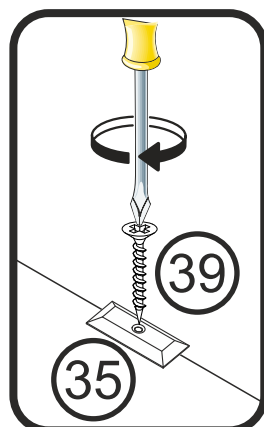
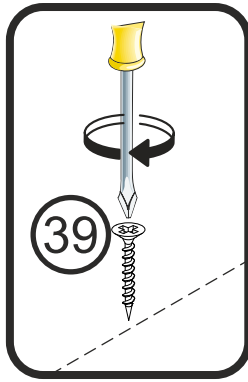
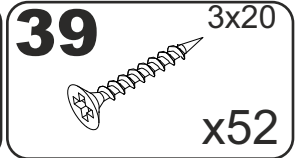
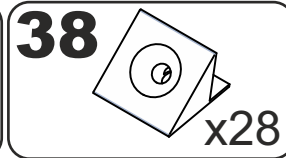
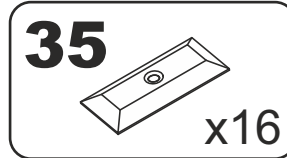
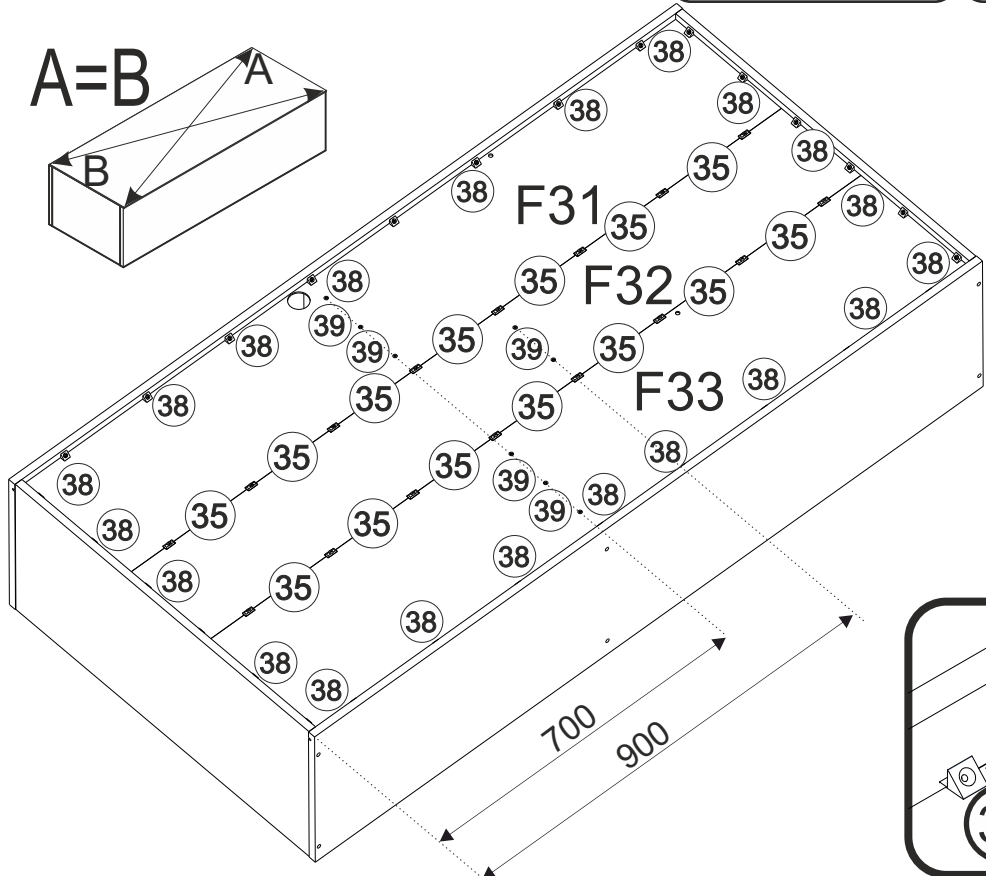
# 20



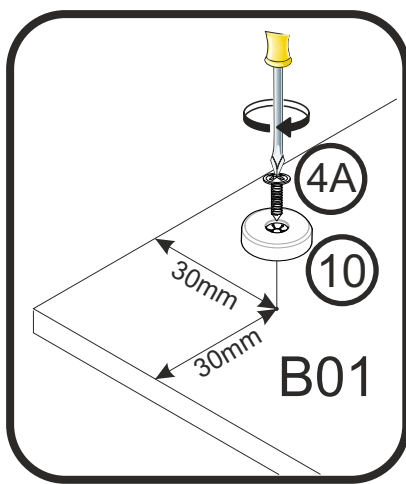
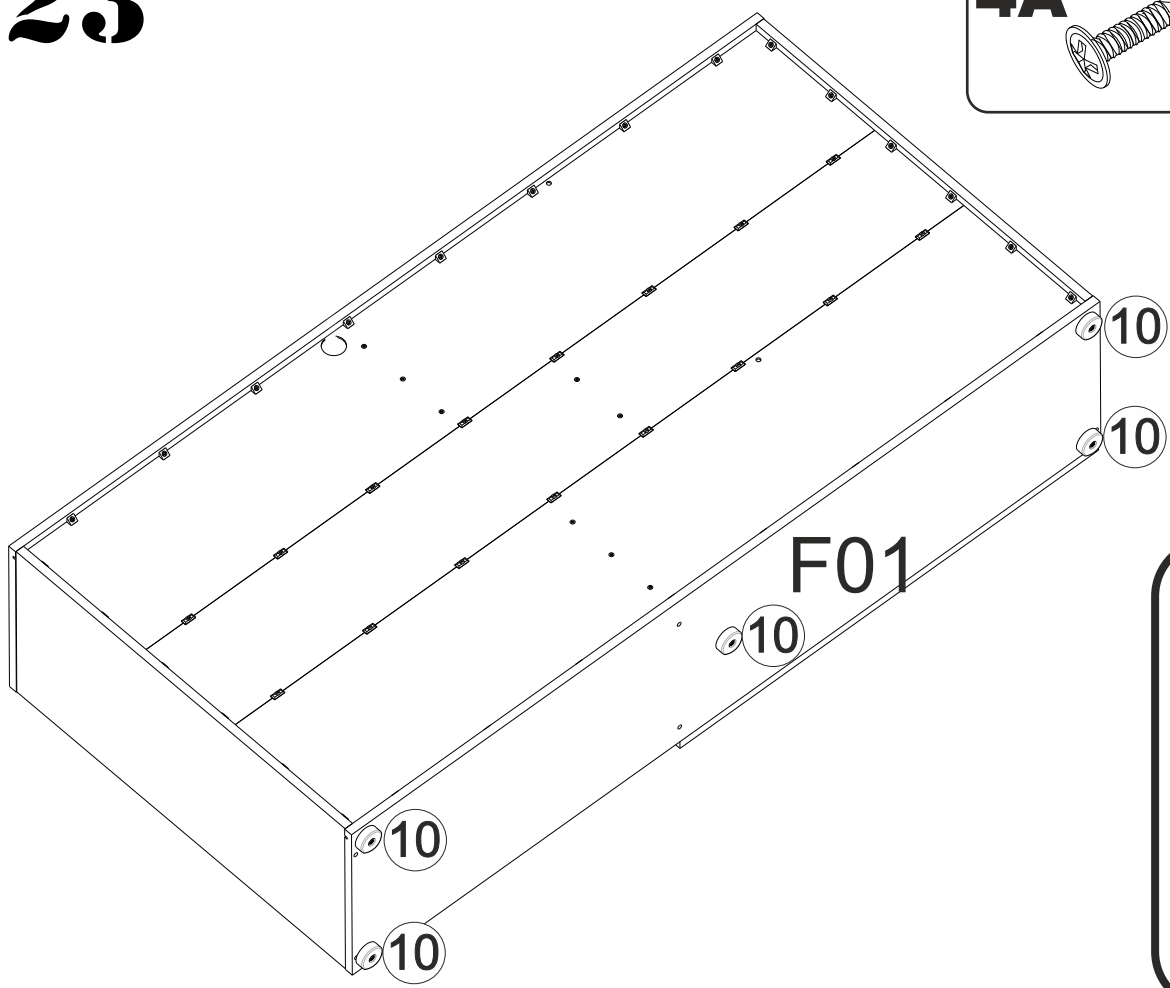
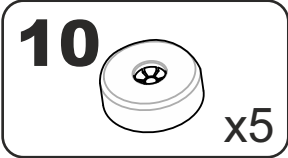
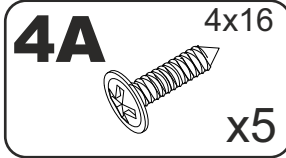
# 21



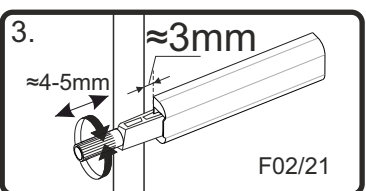
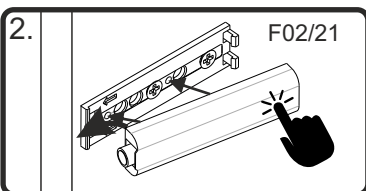
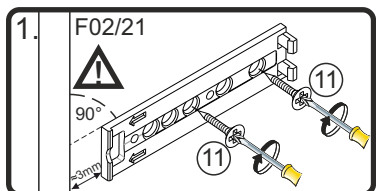
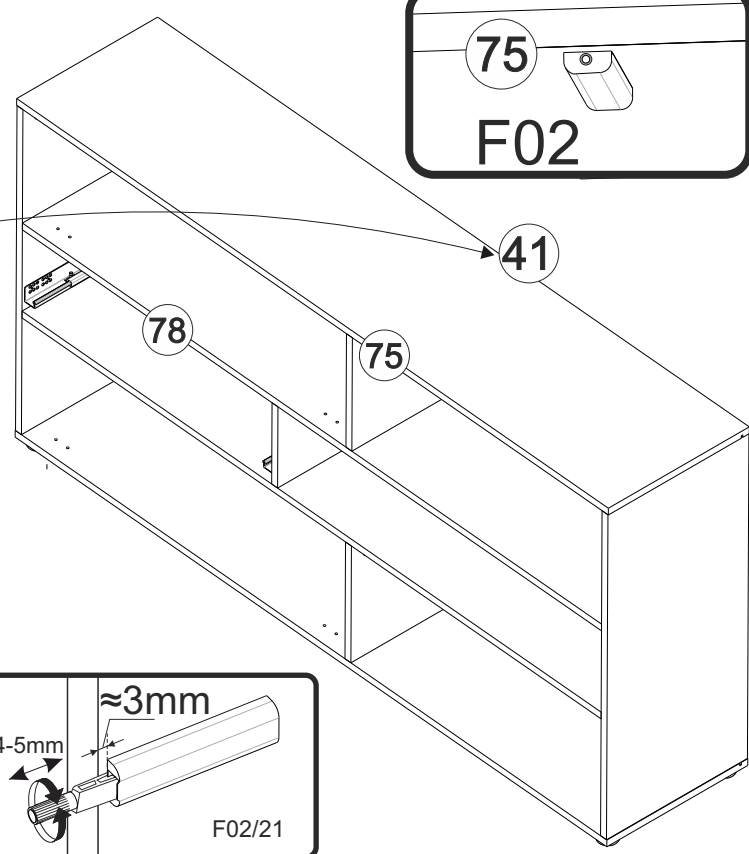
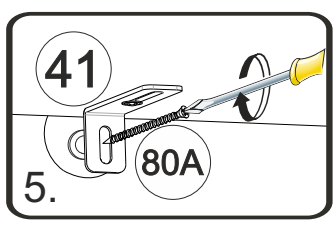
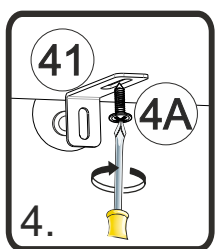
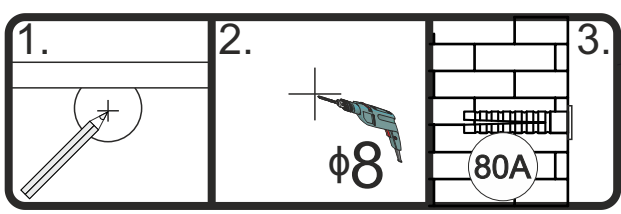
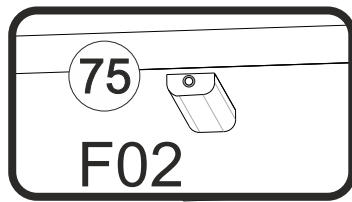
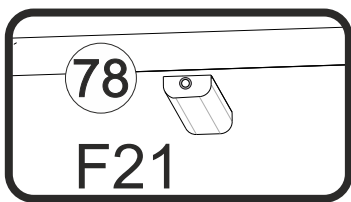
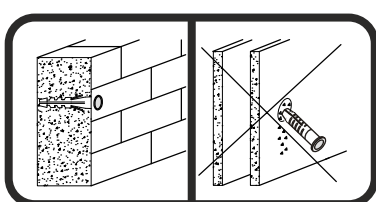
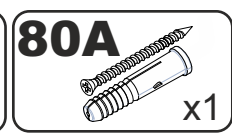
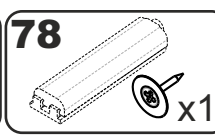
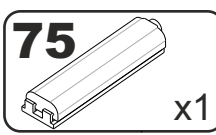
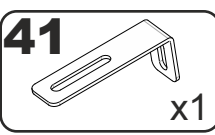
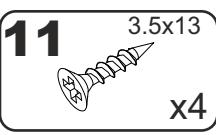
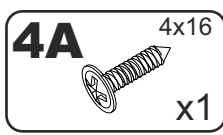
# 22



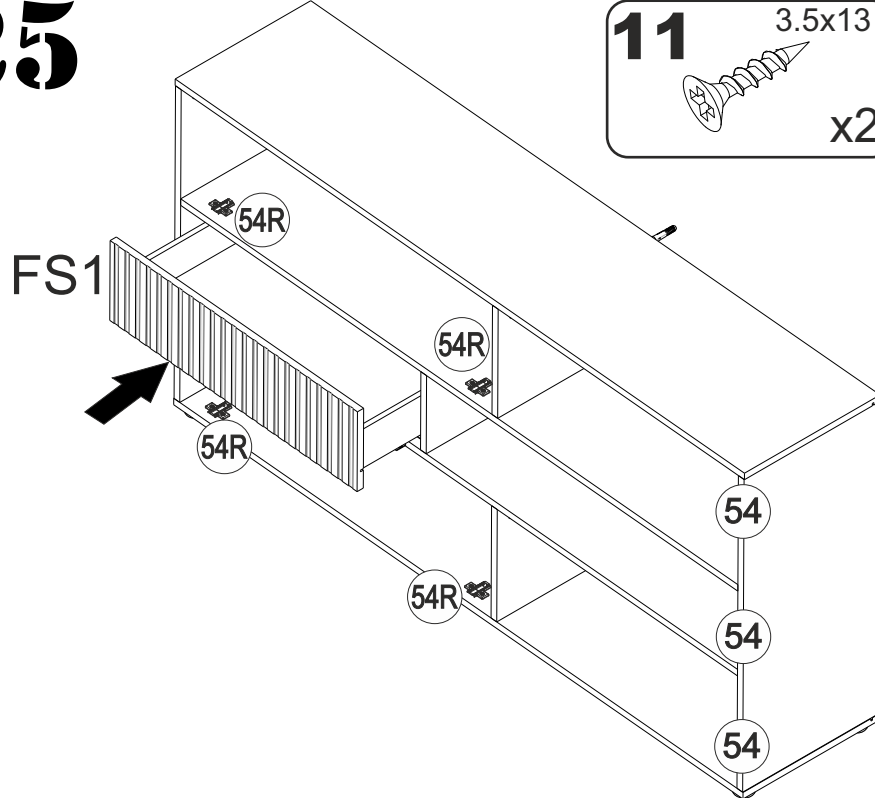
# 23



# 24



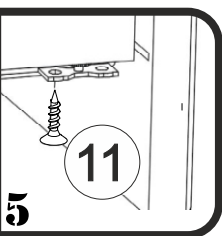
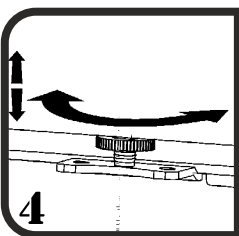
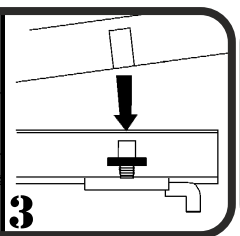
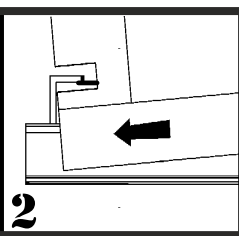
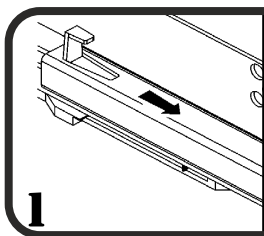
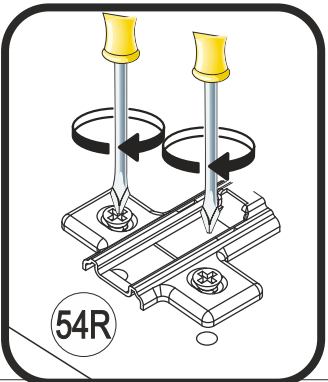
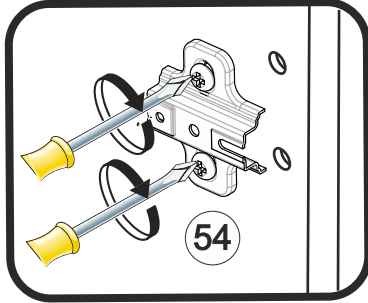
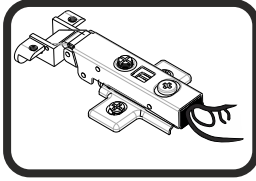
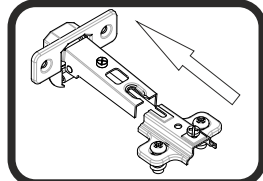
# 25



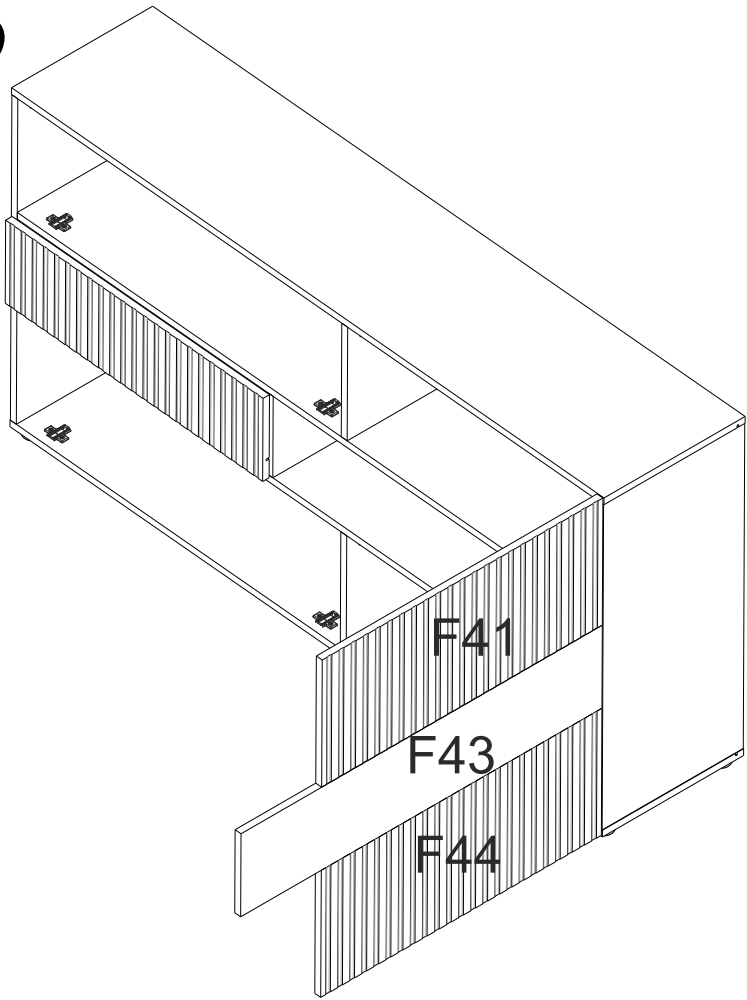
**11** 3.5x13 x2

**54** ø35 x3

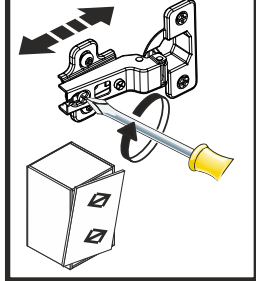
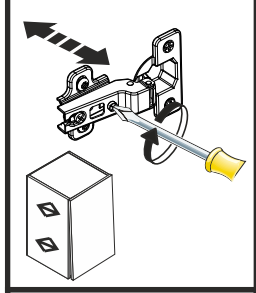
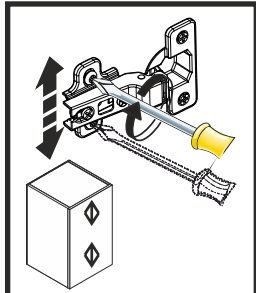
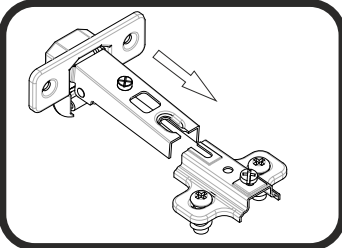
**54R** x4



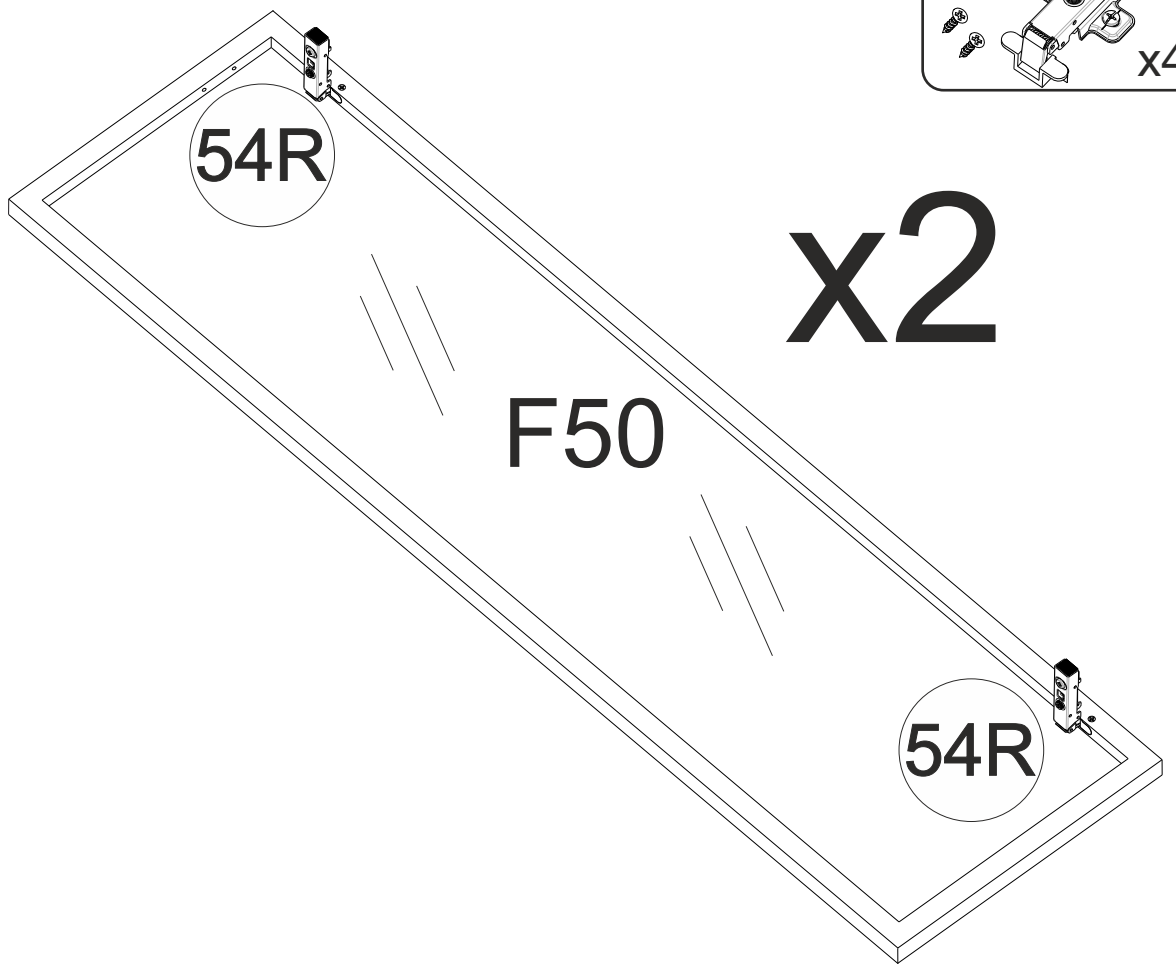
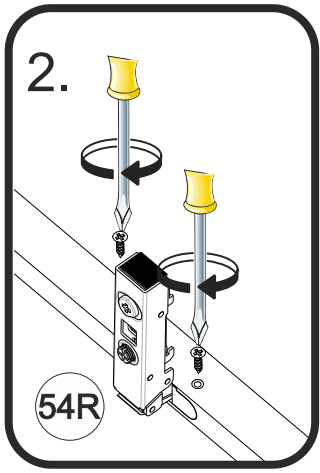
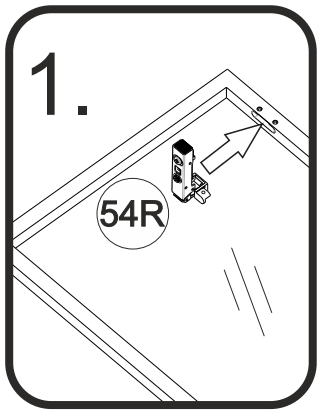
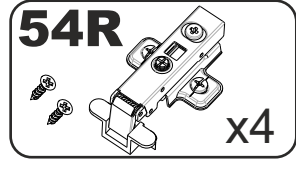
# 26



**54** ø35 x3



# 27



# 28

