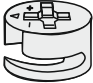
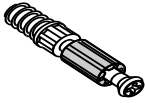
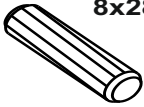
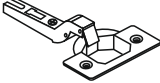




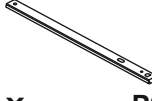





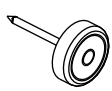

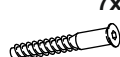




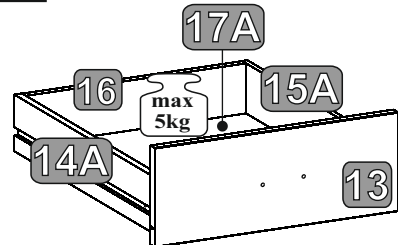
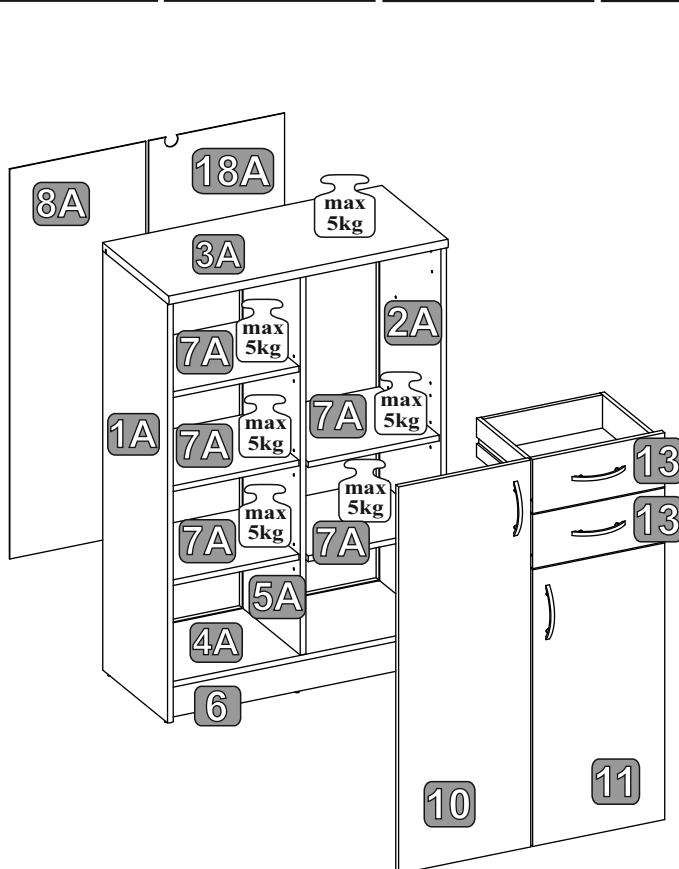


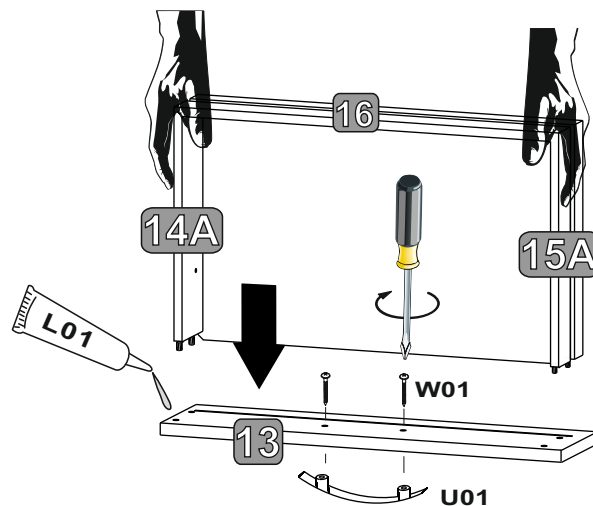
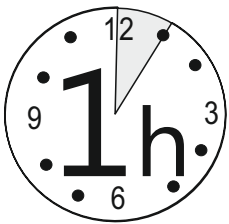
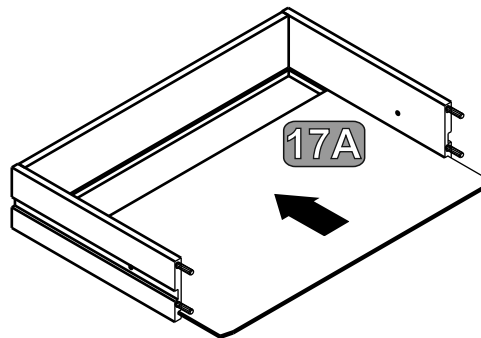
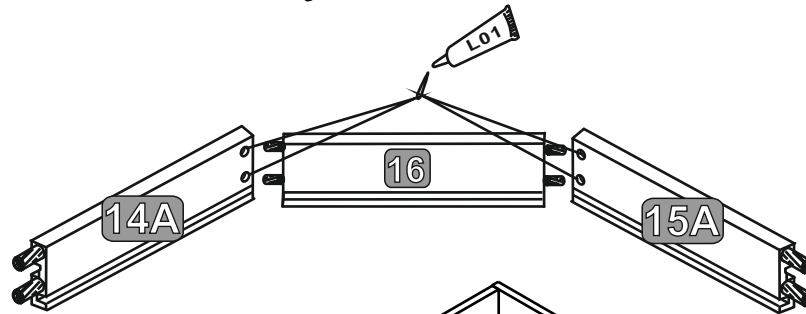
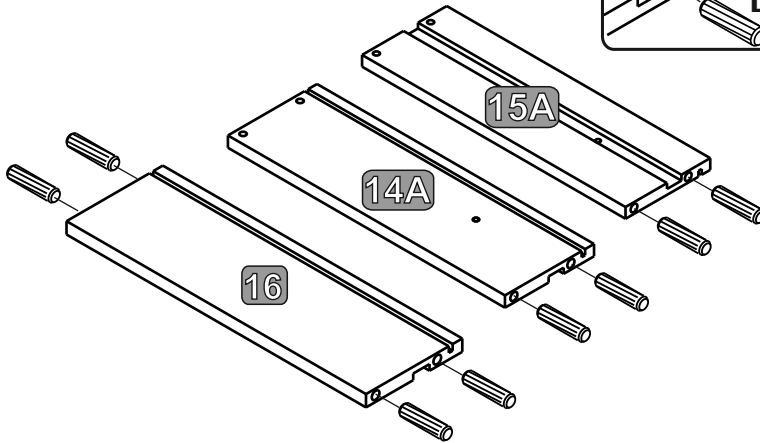
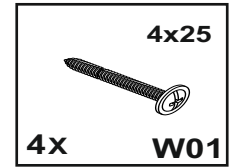
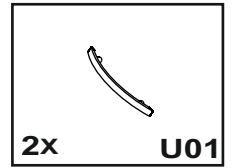
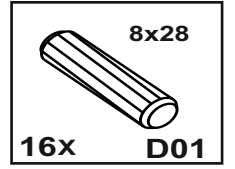
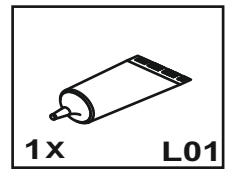
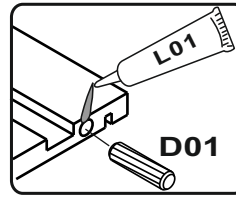
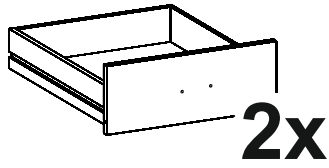
| | | | | | |
|---|---|--|--|---|--|
|  10x T02 |  10x T01 |  32x D01 |  4x Z01 |  4x Z02 |  20x E01 |
|  4x U01 |  8x W01 |  4x P03 |  8x W10 |  1x L01 |  16x R01 |
|  4x X02 |  8x W03 |  5x S01 |  1x K01 |  2x W04 | |
|  1x F01 |  1x F11 |  1x P01 |  2x W07 | | |



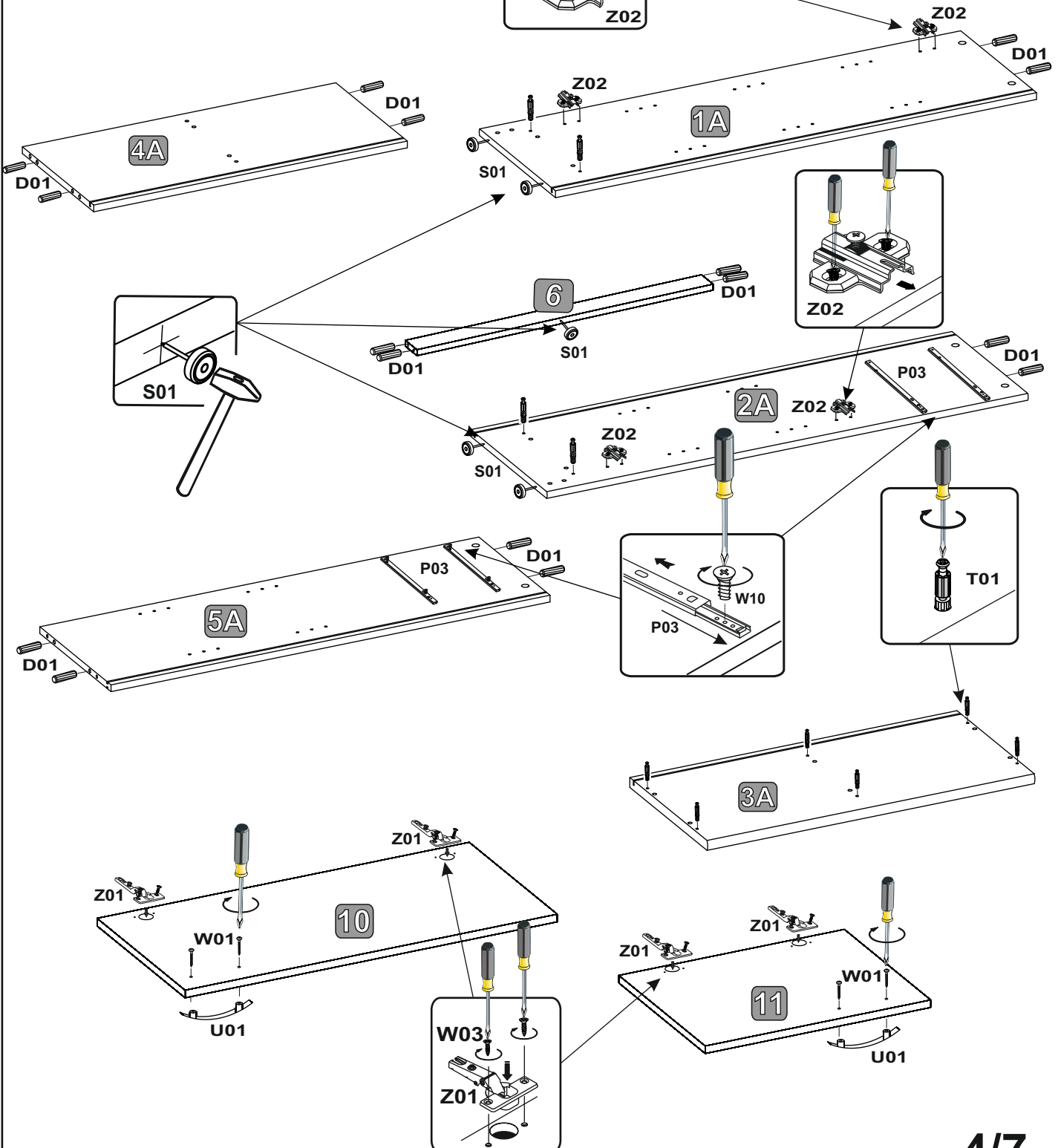
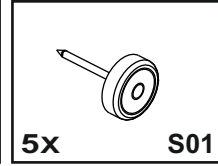
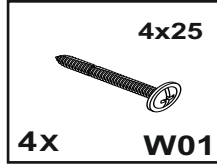
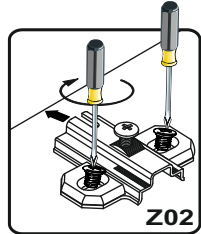
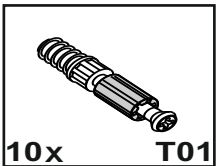
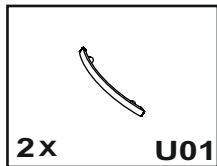
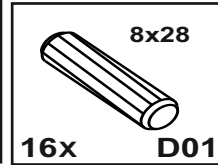
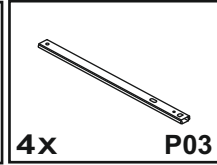
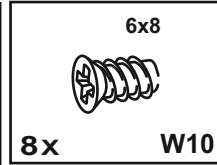
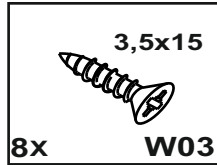
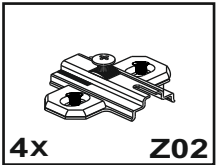
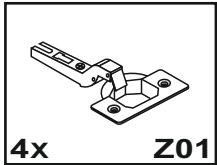
| Č. | Rozmer | Ks | COLLI |
|-----|-------------|----|-------|
| 1A | 1088x345x15 | 1 | 1/1 |
| 2A | 1088x345x15 | 1 | 1/1 |
| 3A | 740x352x22 | 1 | 1/1 |
| 4A | 709x323x15 | 1 | 1/1 |
| 5A | 993x322x15 | 1 | 1/1 |
| 6 | 709x80x15 | 1 | 1/1 |
| 7A | 347x296x15 | 5 | 1/1 |
| 8A | 1012x360x2 | 1 | 1/1 |
| 10 | 1004x350x15 | 1 | 1/1 |
| 11 | 718x350x15 | 1 | 1/1 |
| 13 | 350x140x15 | 2 | 1/1 |
| 14A | 290x100x12 | 2 | 1/1 |
| 15A | 290x100x12 | 2 | 1/1 |
| 16 | 315x100x12 | 2 | 1/1 |
| 17A | 326x290x2 | 2 | 1/1 |
| 18A | 1012x360x2 | 1 | 1/1 |



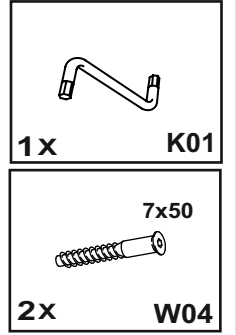
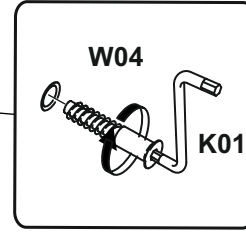
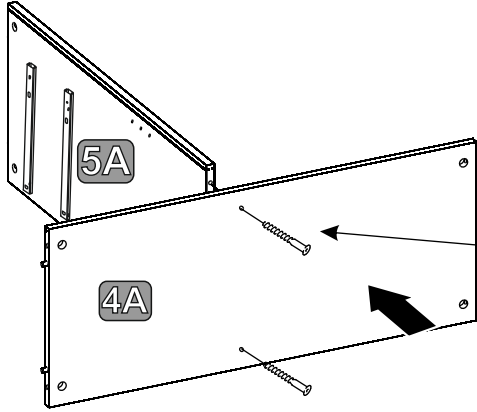
1



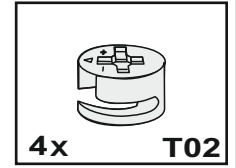
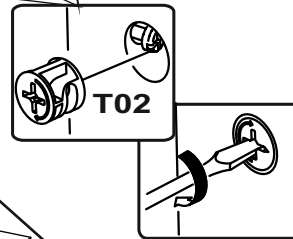
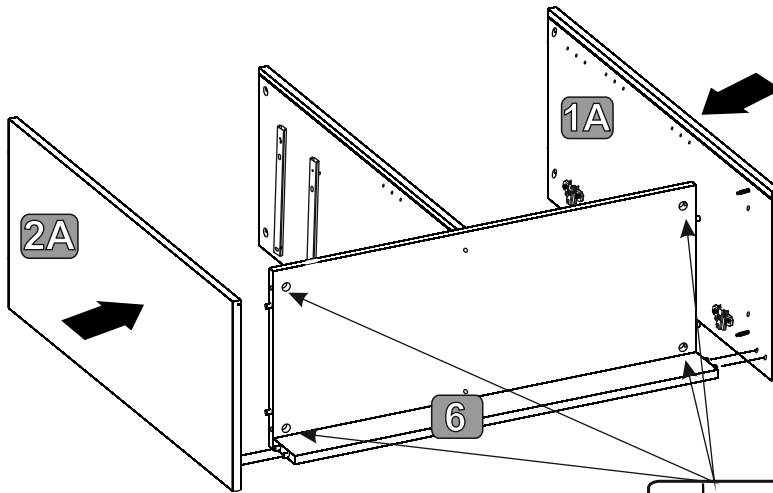
2



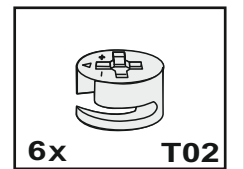
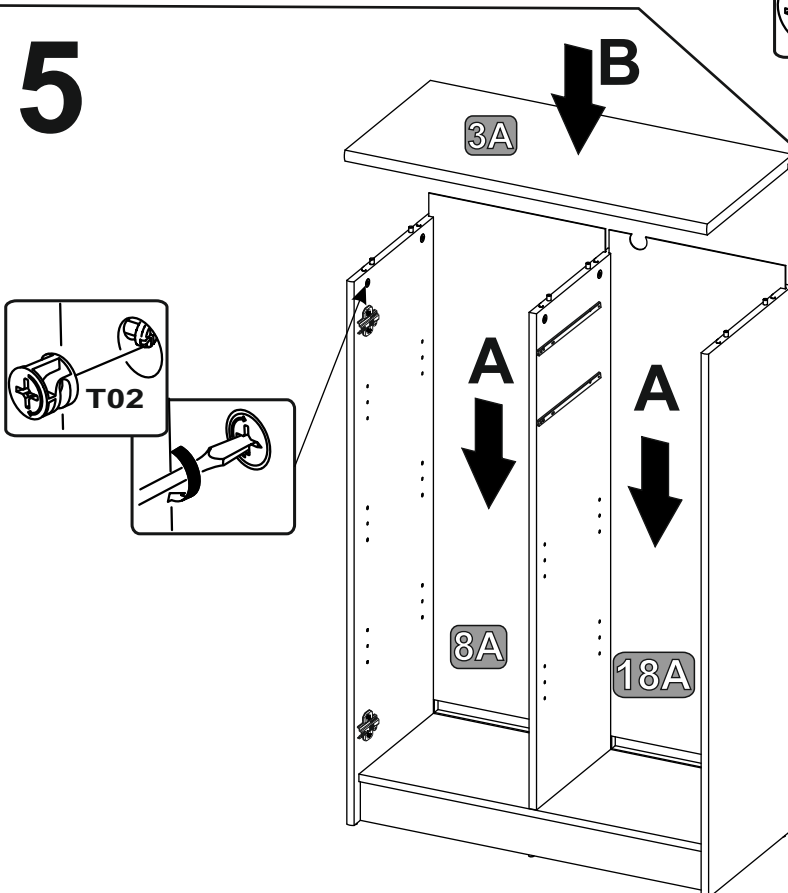
3



4

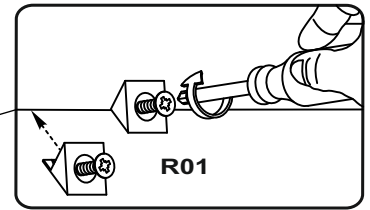
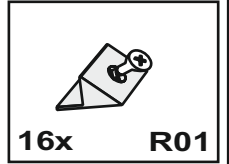
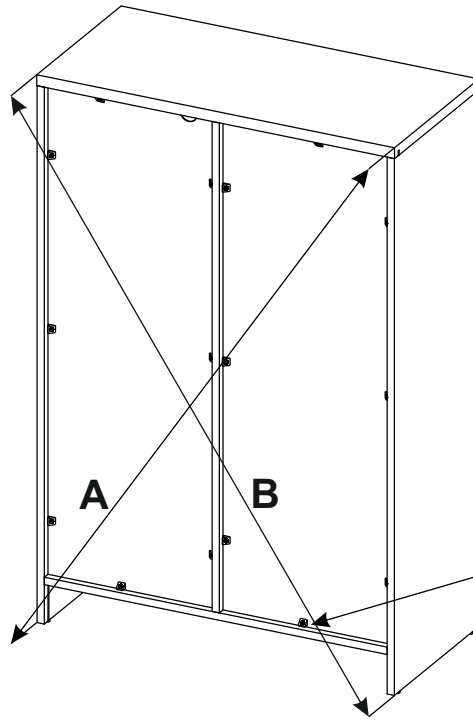


5

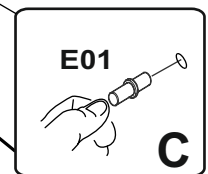
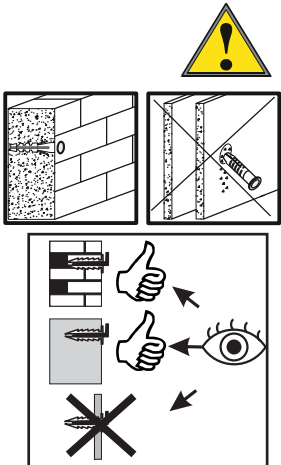
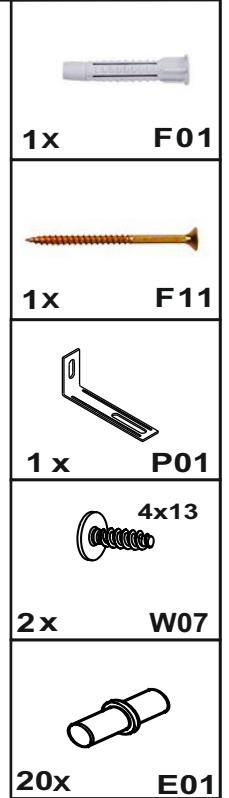
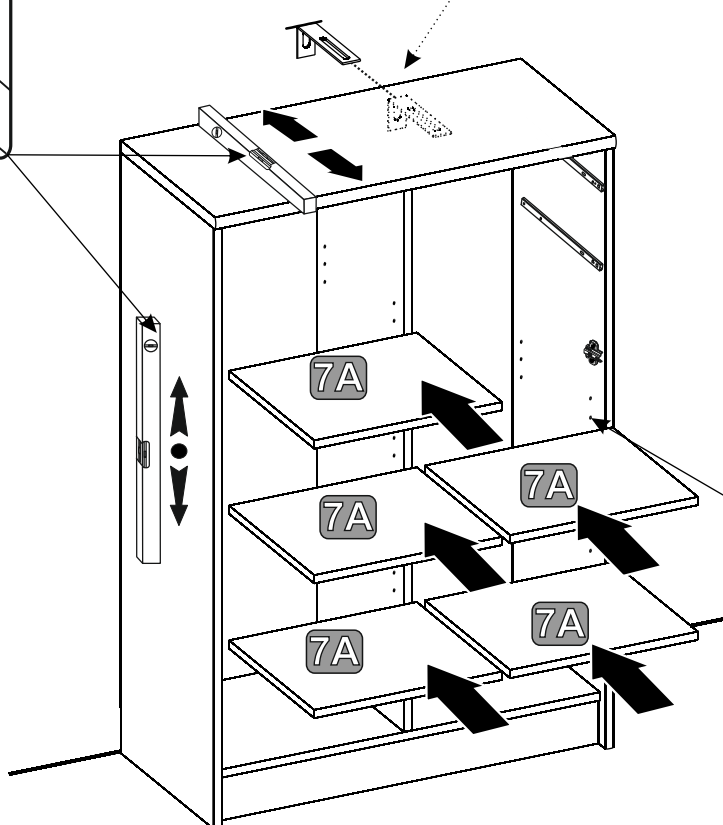
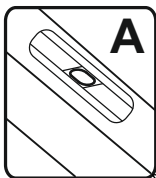
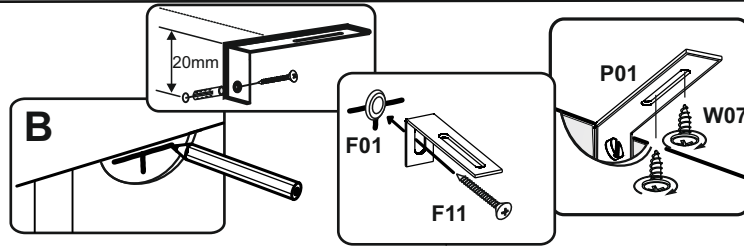


6

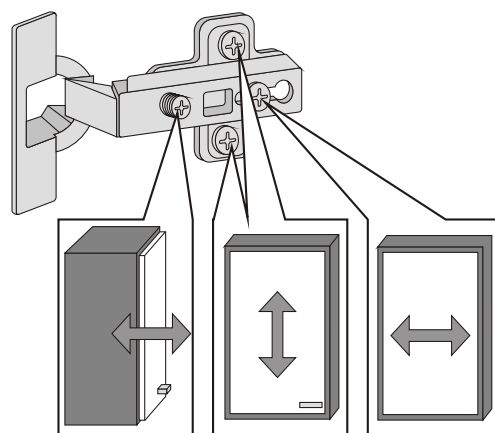
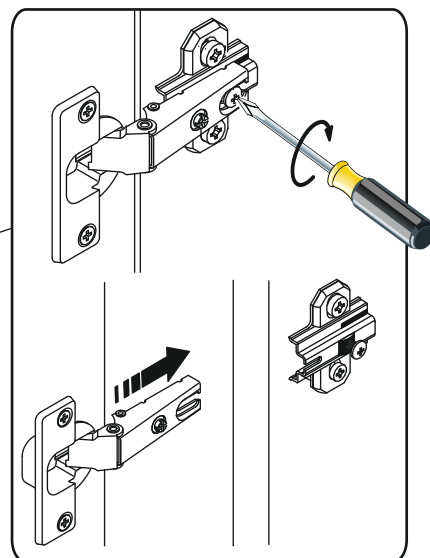
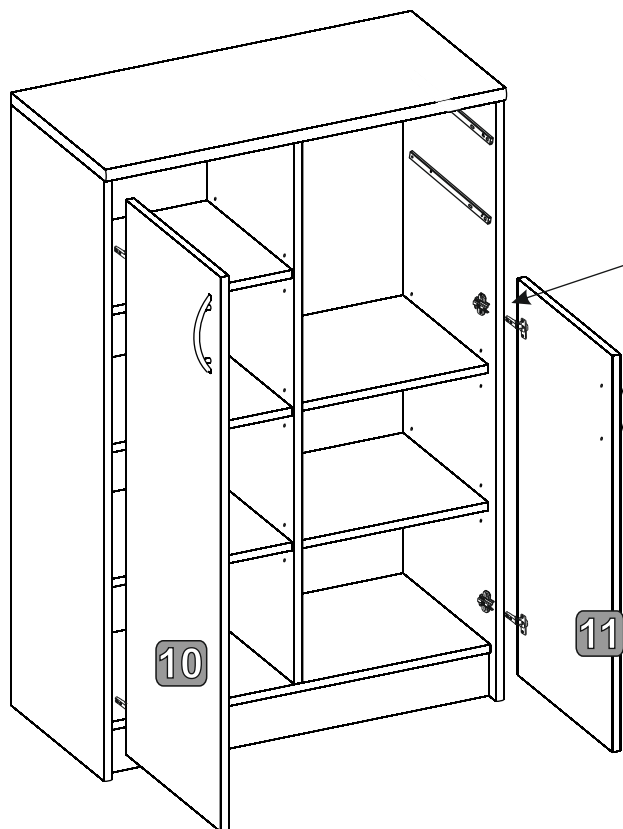
A=B



7



8



9

