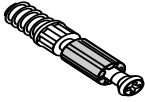
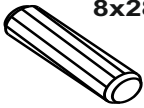
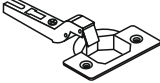






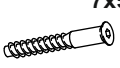










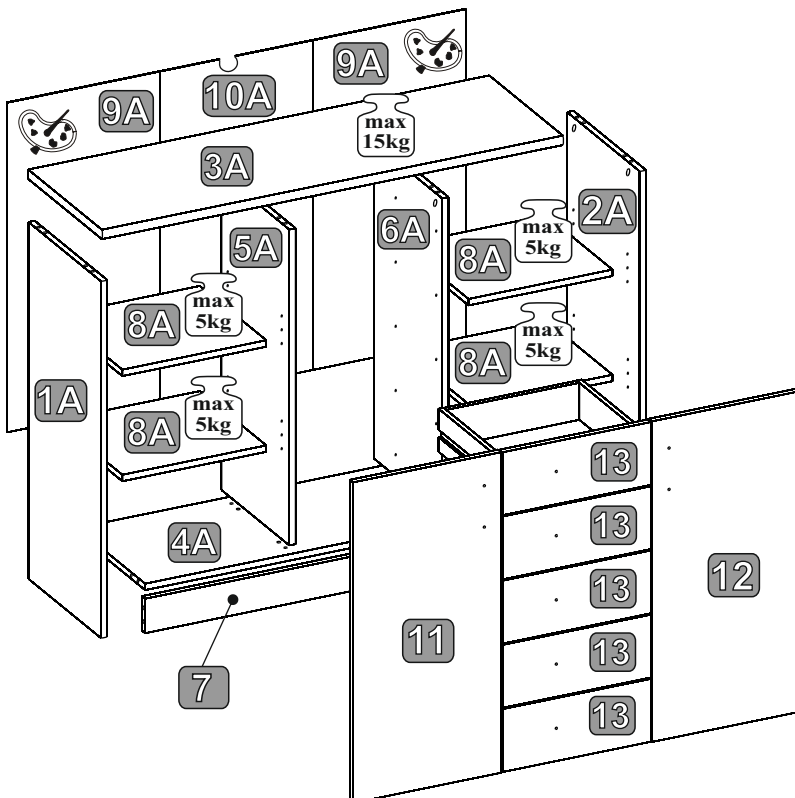
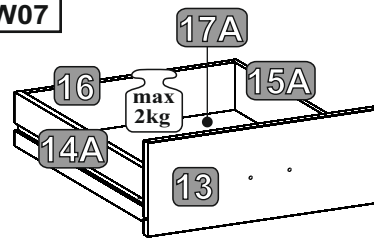
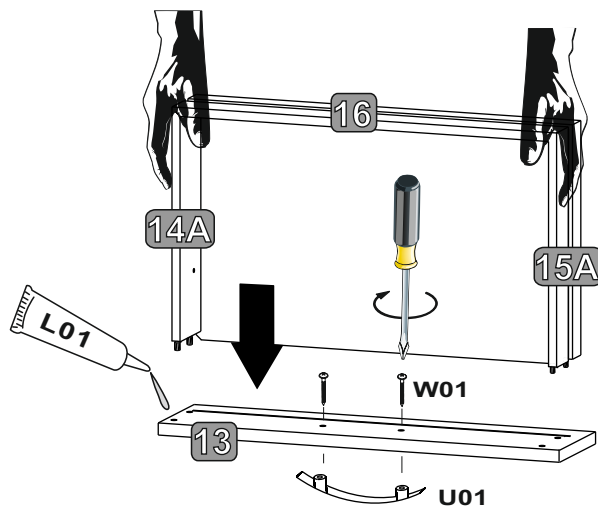
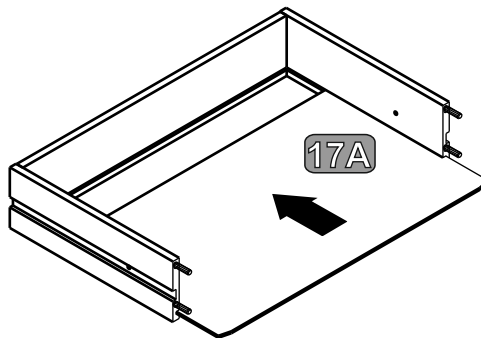
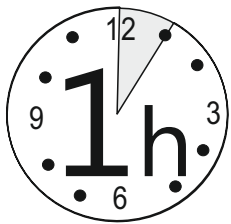
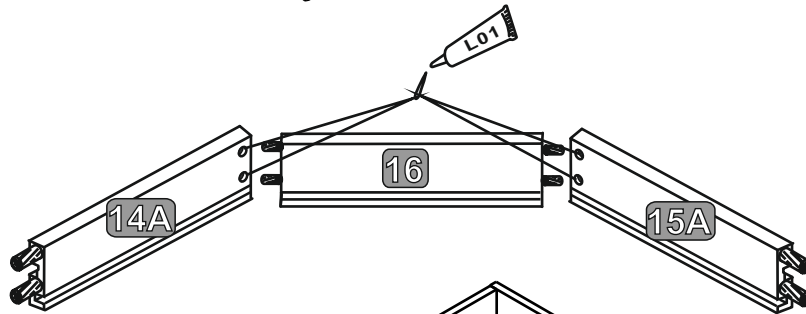
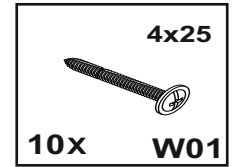
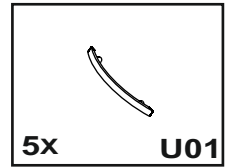
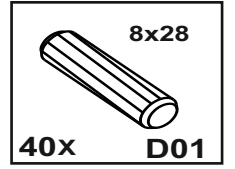
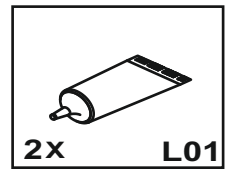
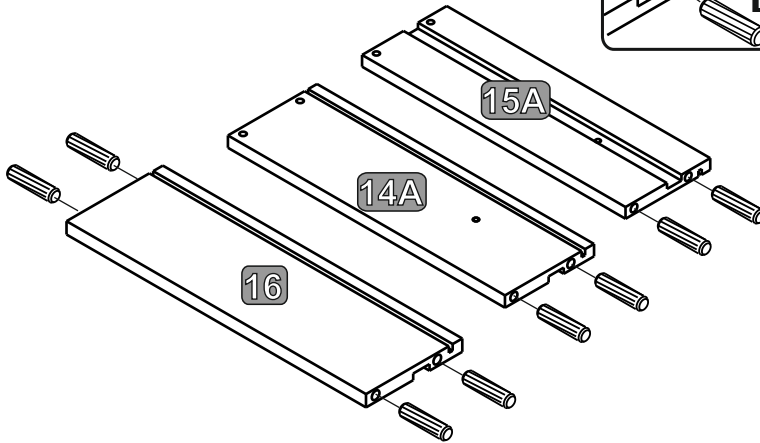
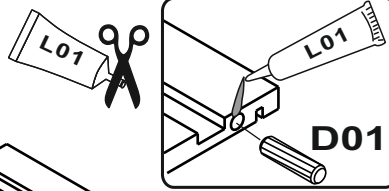
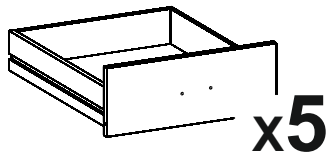
 12x T02	 12x T01	 60x D01	 4x Z01	 4x Z02	 16x E01
 7x U01	 14x W01	 10x P03	 20x W10	 4x W04	 18x R01
 10x X02	 8x W03	 6x S01	 1x K01	 2x L01	
 1x F01	 1x F11	 1x P01	 2x W07		



Č.	Rozmer	Ks	COLLI
1A	828x345x15	1	1/1
2A	828x345x15	1	1/1
3A	1092x352x22	1	1/1
4A	1061x323x15	1	1/1
5A	733x322x15	1	1/1
6A	733x322x15	1	1/1
7	1061x80x15	1	1/1
8A	341x296x15	4	1/1
9A	752x354x2	2	1/1
10A	752x354x2	1	1/1
11	744x350x15	1	1/1
12	744x350x15	1	1/1
13	350x146x15	5	1/1
14A	290x100x12	5	1/1
15A	290x100x12	5	1/1
16	315x100x12	5	1/1
17A	326x290x2	5	1/1

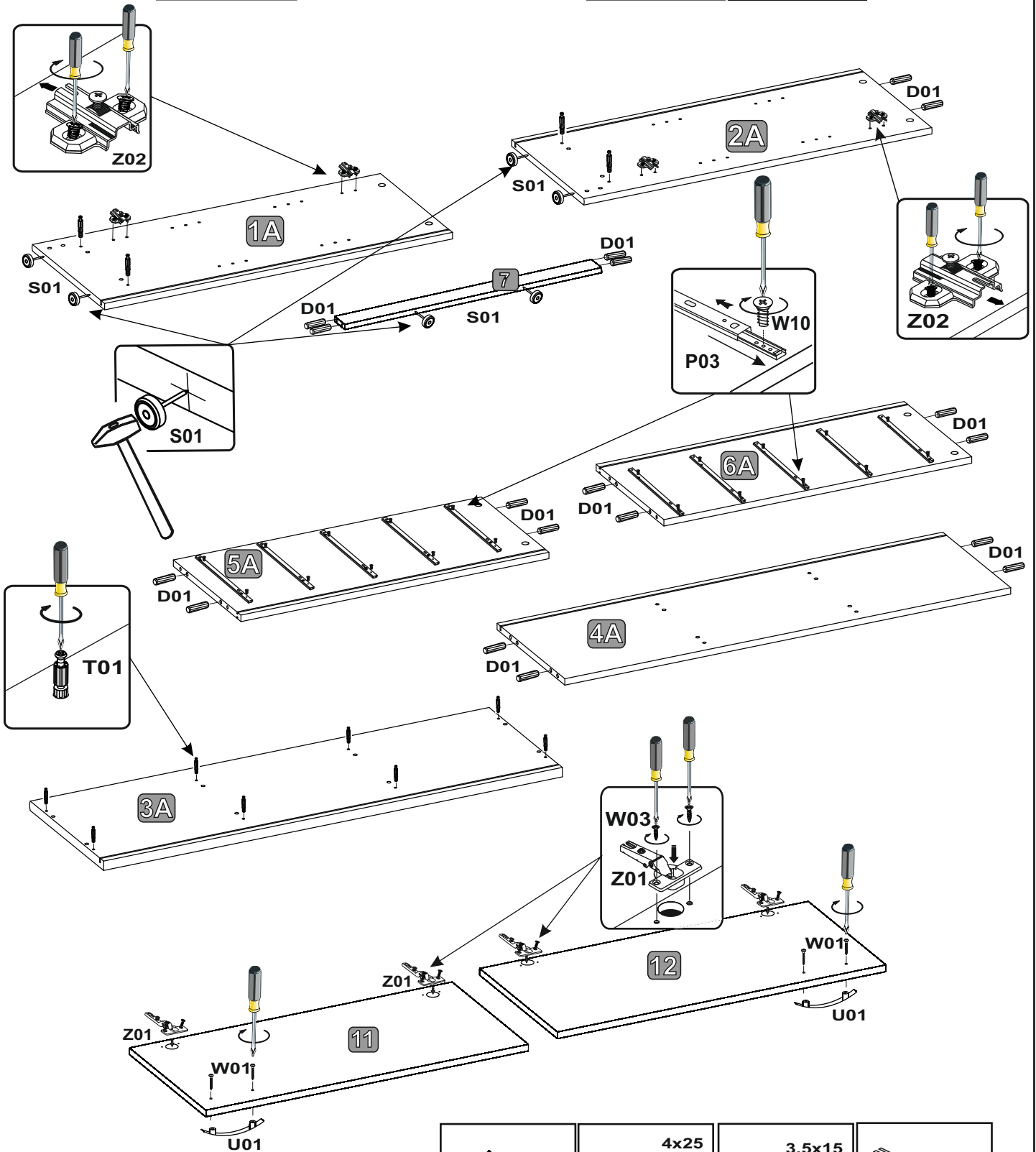


1



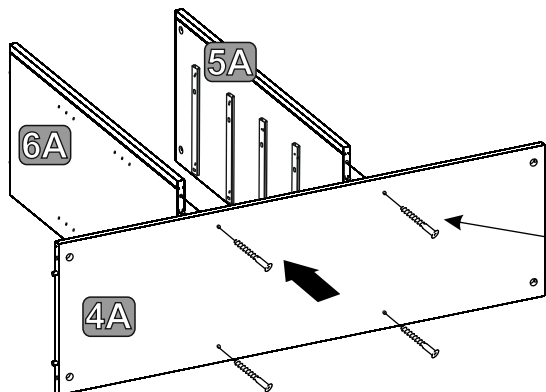
2

6x S01	12x T01	10x P03	20x D01	20x W10	4x Z02
-----------	------------	------------	------------	------------	-----------



2x U01	4x W01	8x W03	4x Z01
-----------	-----------	-----------	-----------

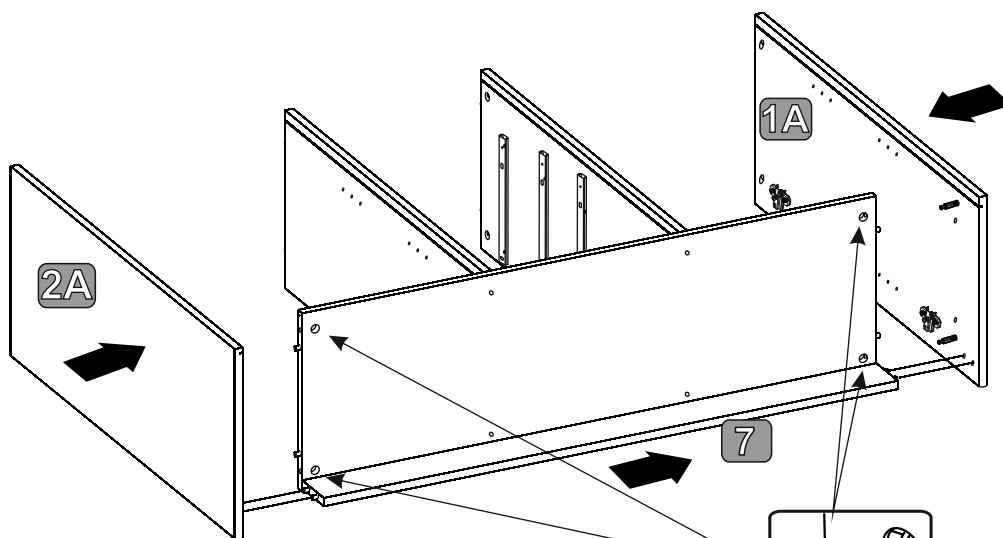
3



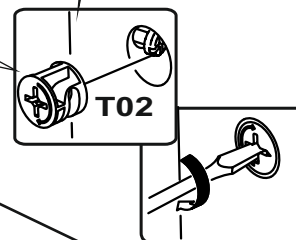
1x K01

7x50
4x W04

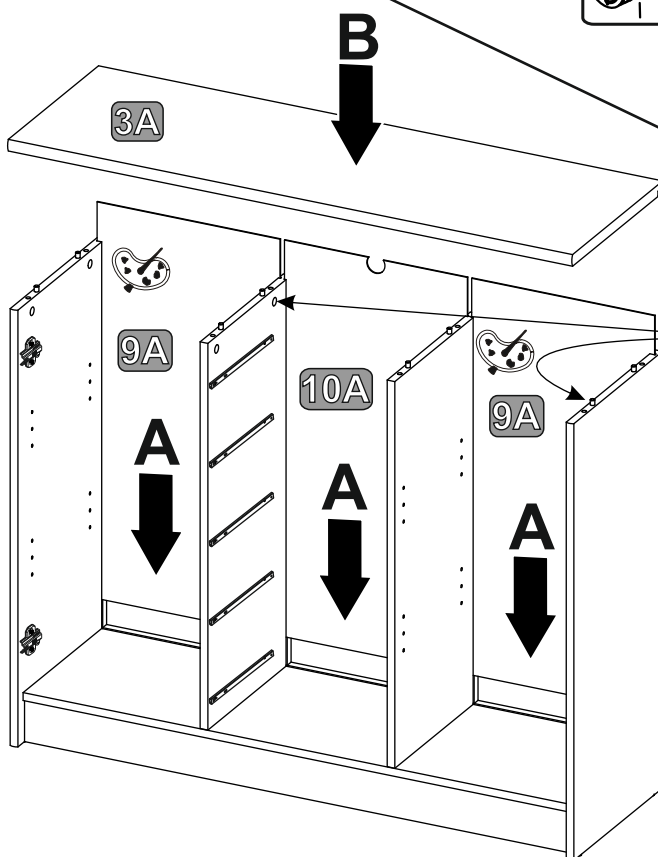
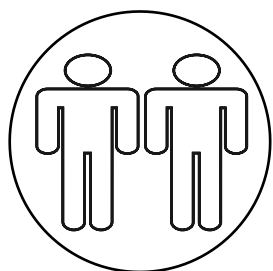
4



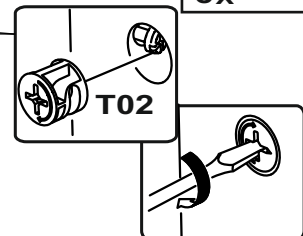
4x T02



5

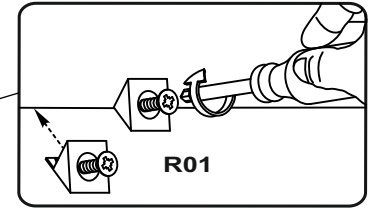
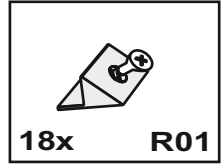
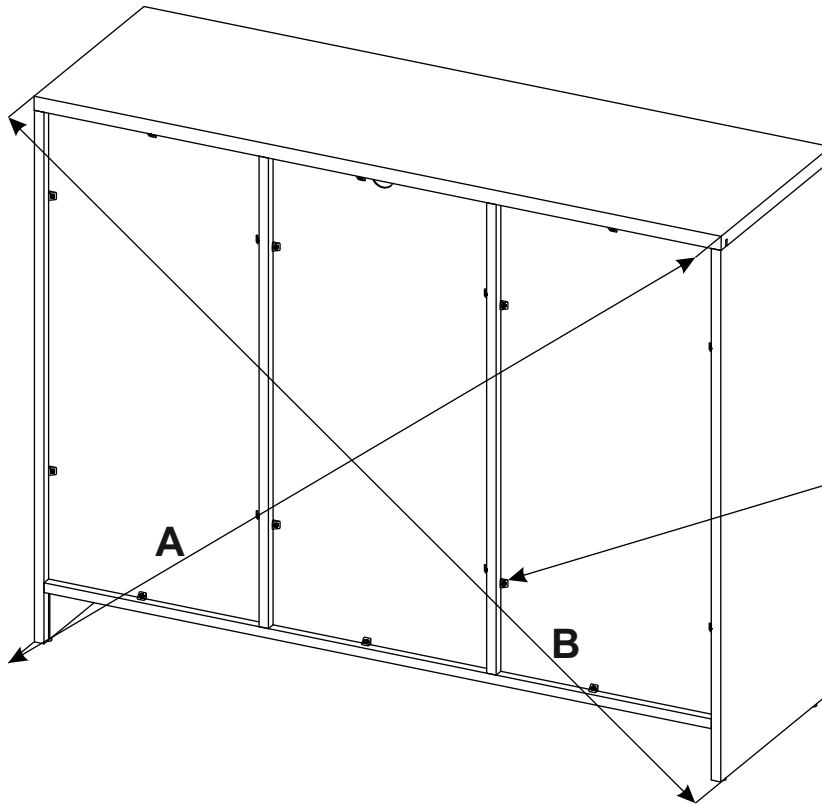


8x T02

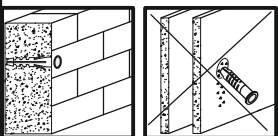
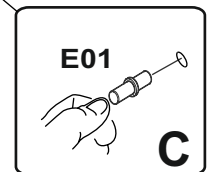
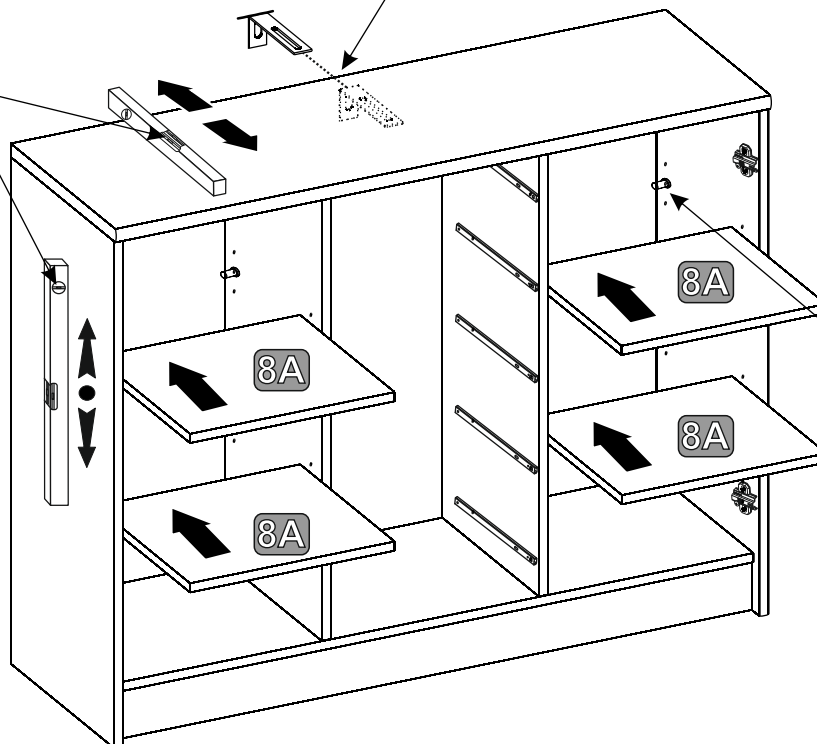
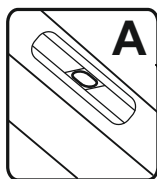
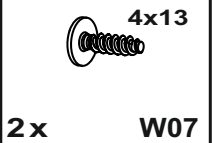
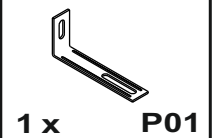
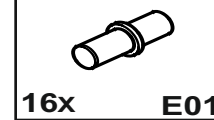
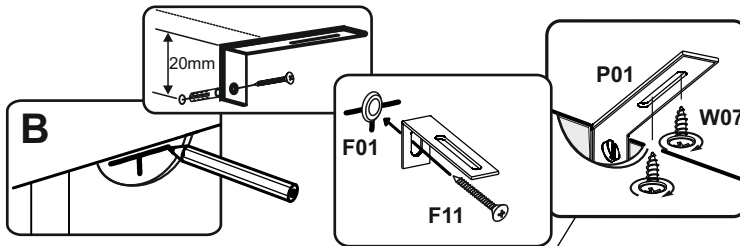


6

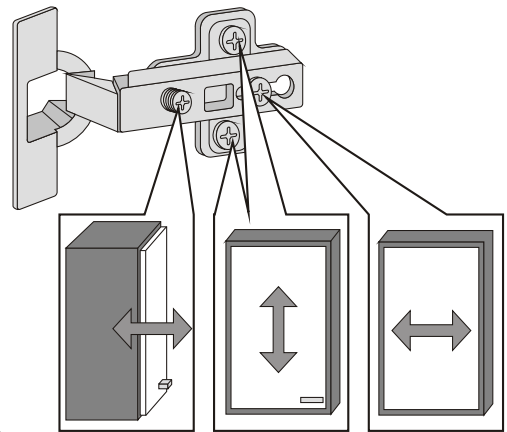
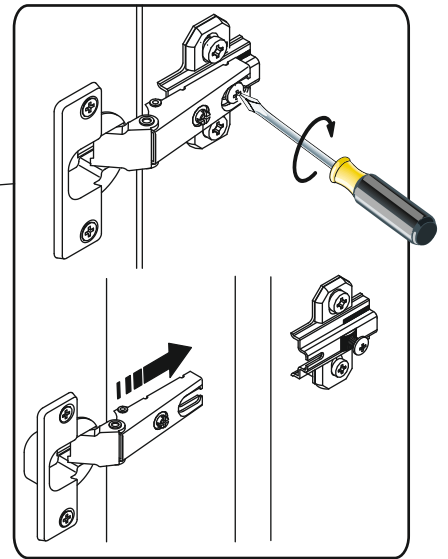
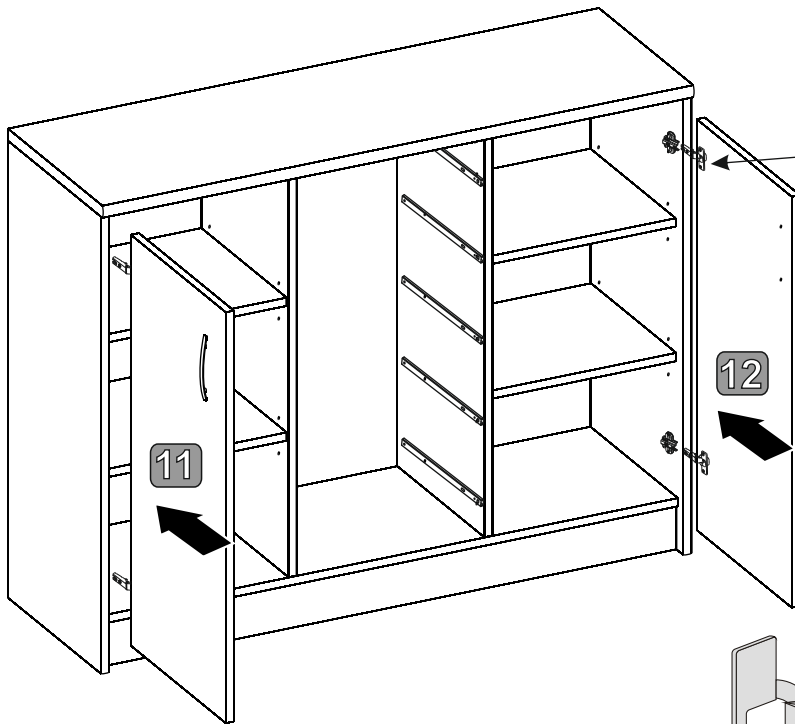
A=B



7



8



9

