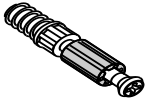
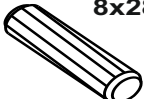












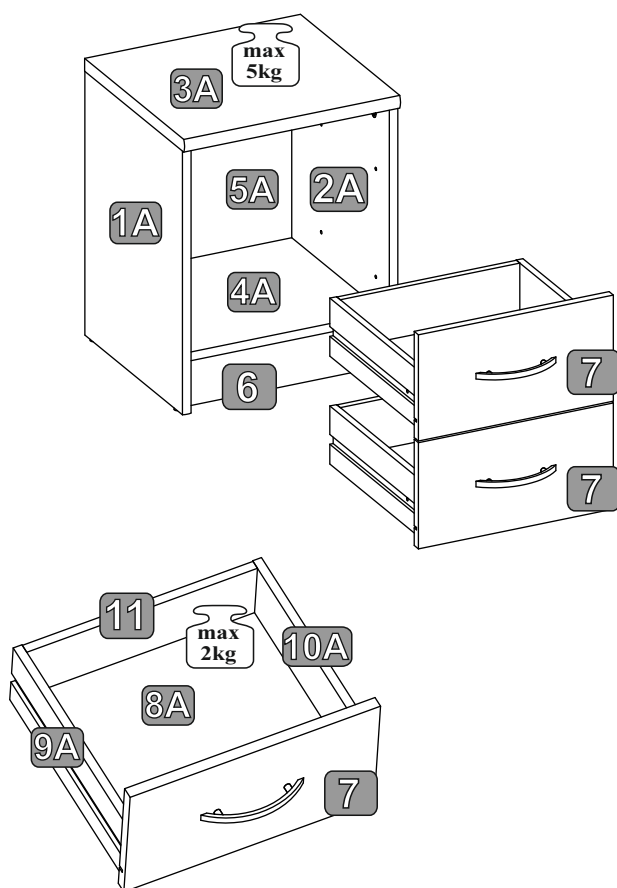
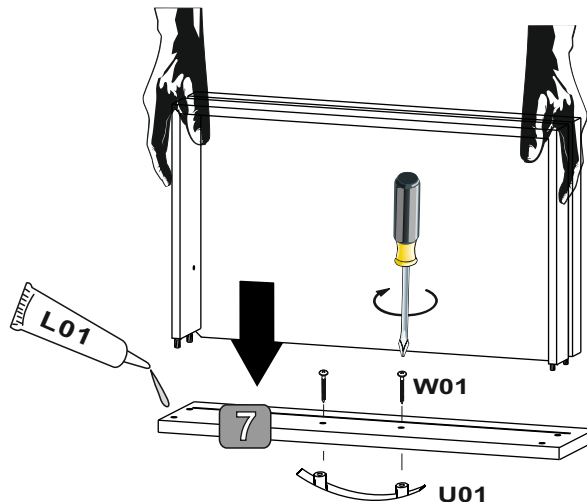
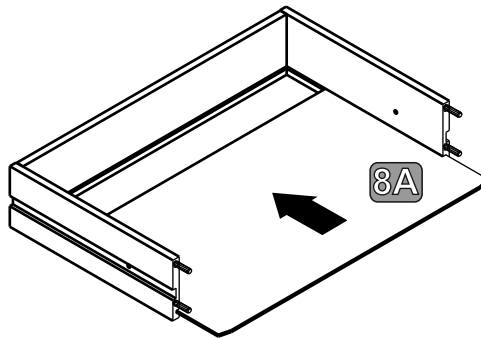
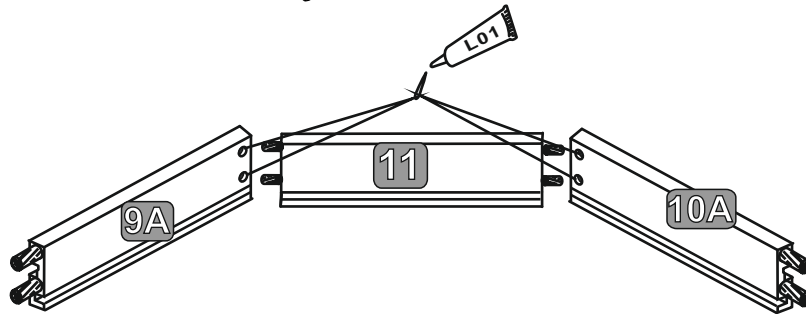
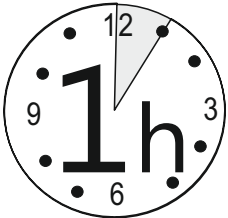
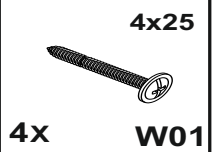
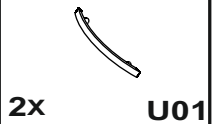
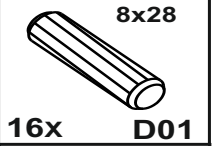
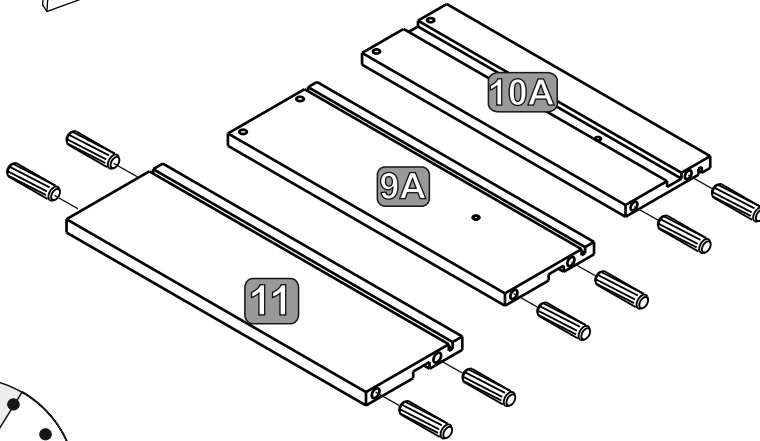
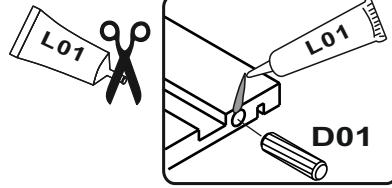
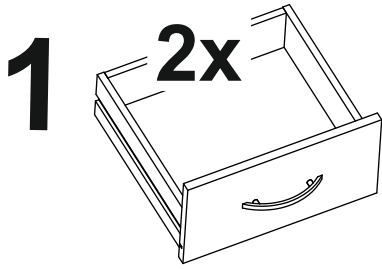
 8x T02	 8x T01	 8x28 D01	 1x F01	 1x F11	 4x10 4x X02
 2x U01	 4x25 4x W01	 4x P03	 6x8 8x W10	 1x L01	 4x R01
 4x S01	 1x P01	 4x13 2x W07			

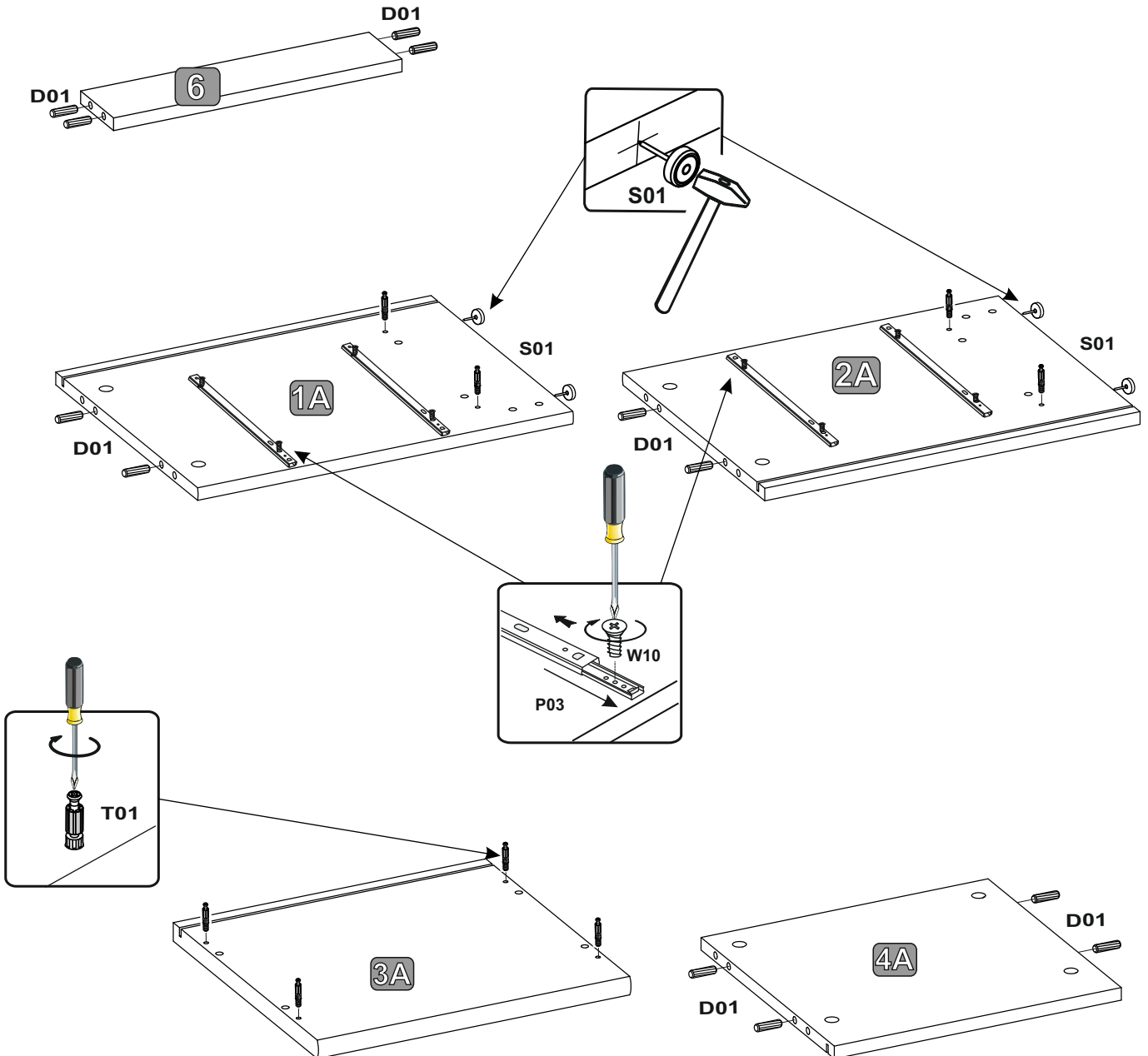
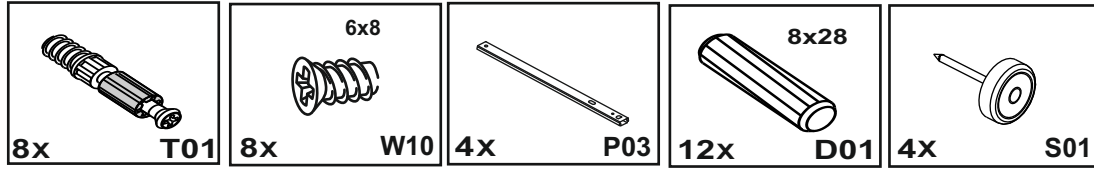


Č.	Rozmer	Ks	COLLI
1A	455x345x15	1	1/1
2A	455x345x15	1	1/1
3A	379x352x22	1	1/1
4A	323x348x15	1	1/1
5A	379x367x2	1	1/1
6	348x80x15	1	1/1
7	342x183x15	2	1/1
8A	326x290x2	2	1/1
9A	290x100x12	2	1/1
10A	290x100x12	2	1/1
11	315x100x12	2	1/1

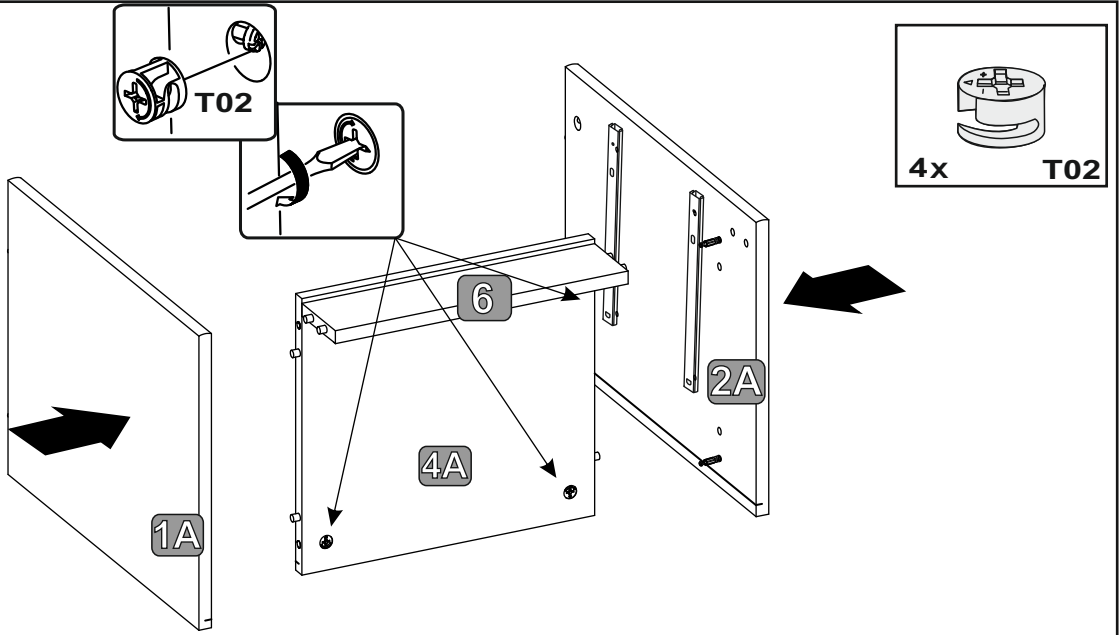




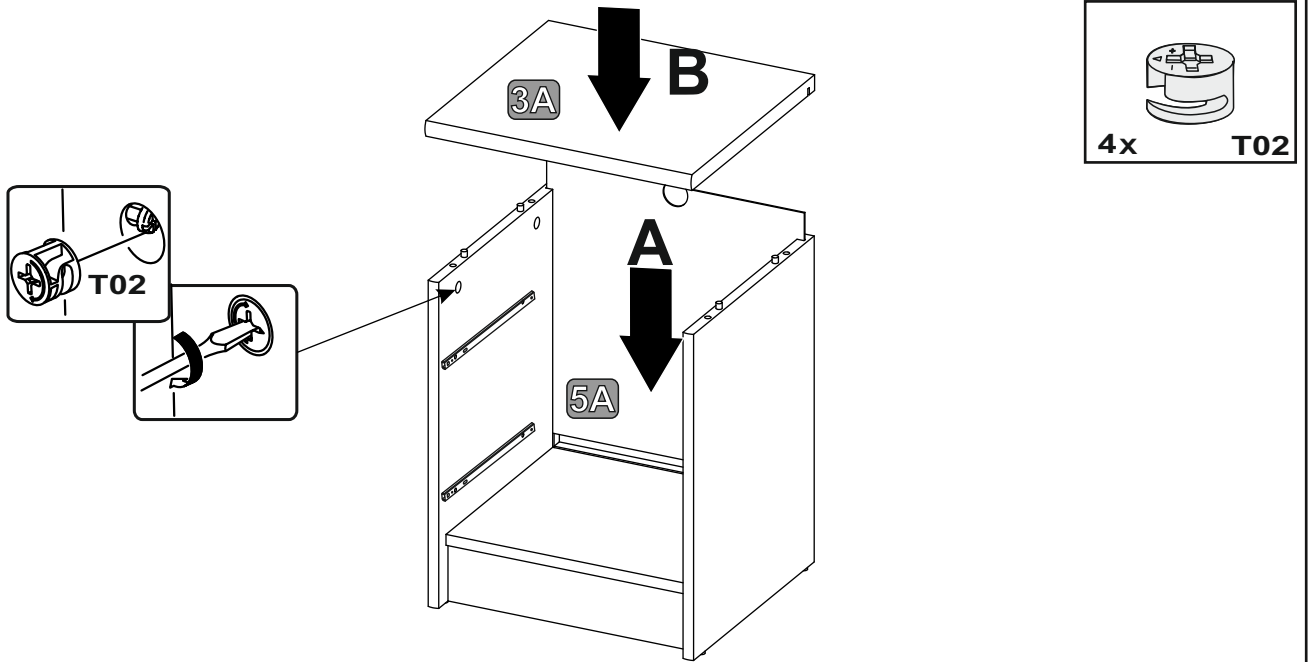
2



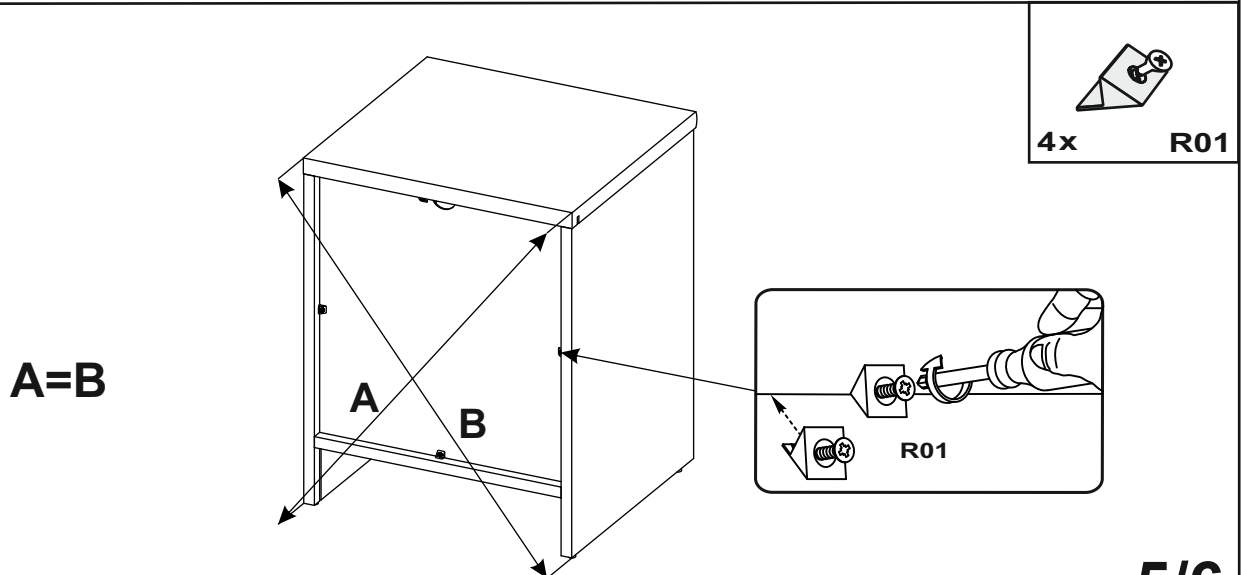
3



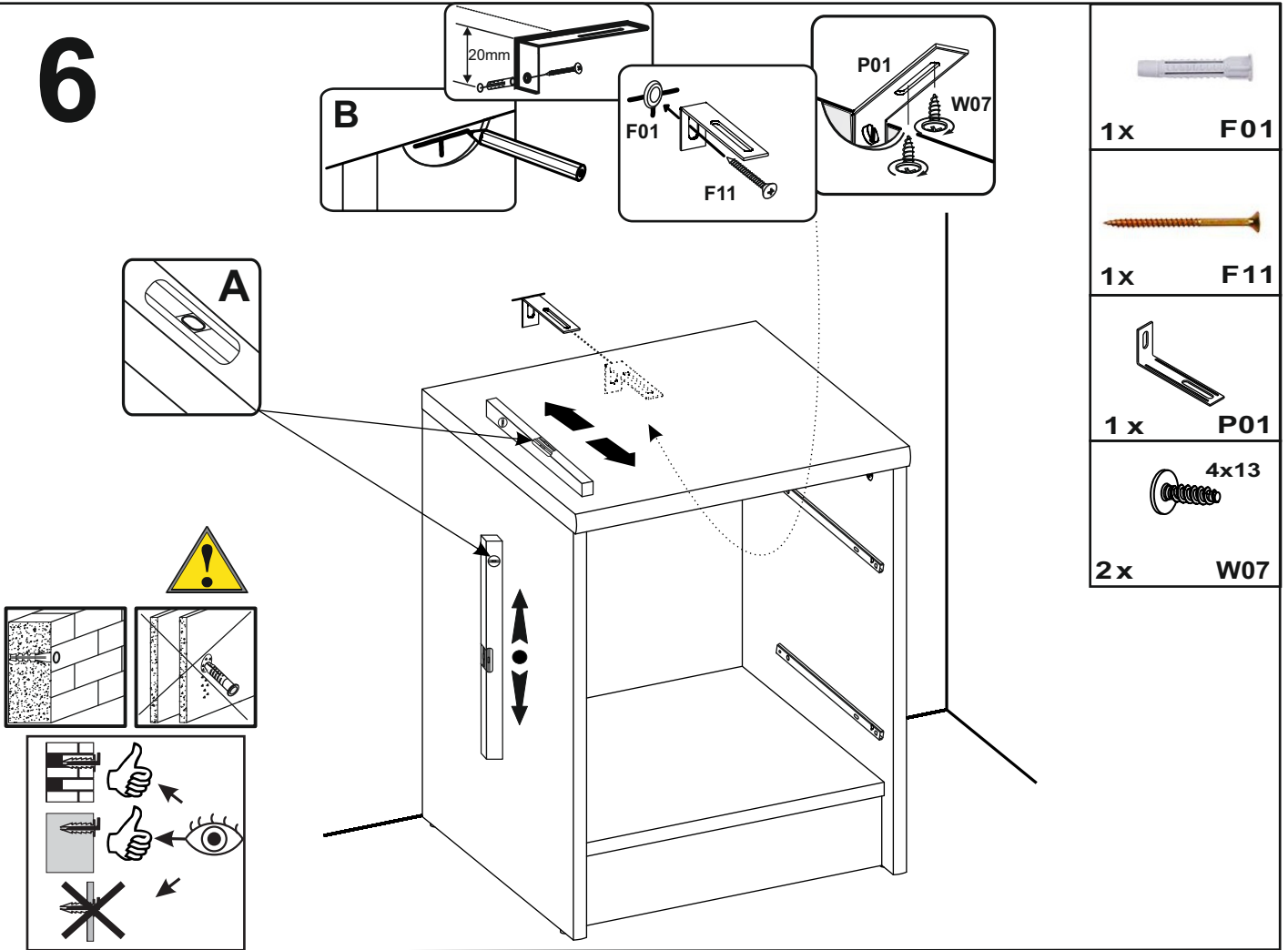
4



5



6



7

