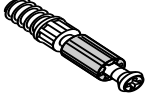
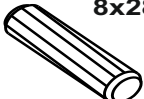












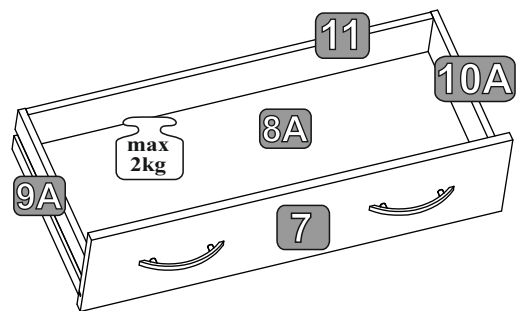
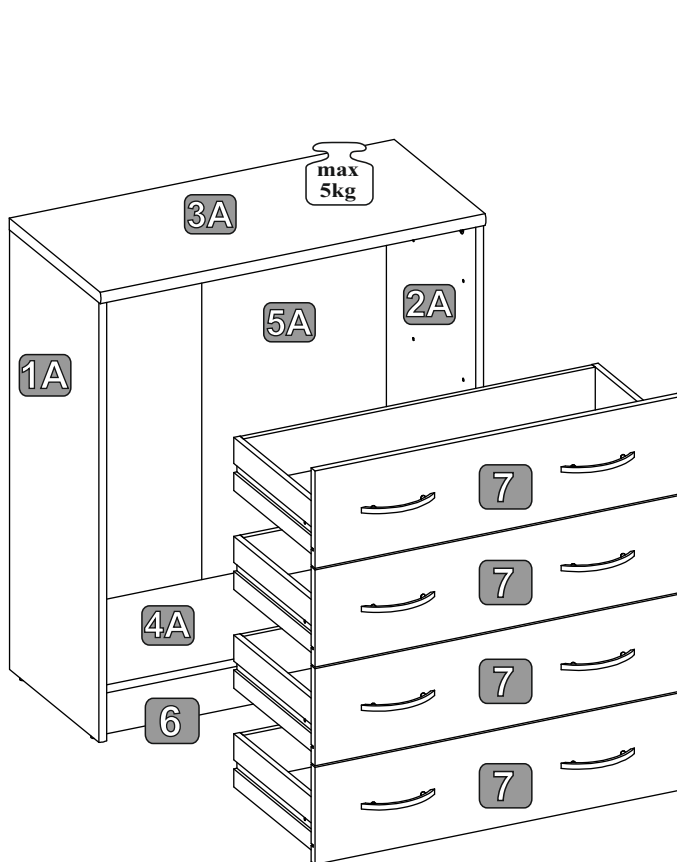
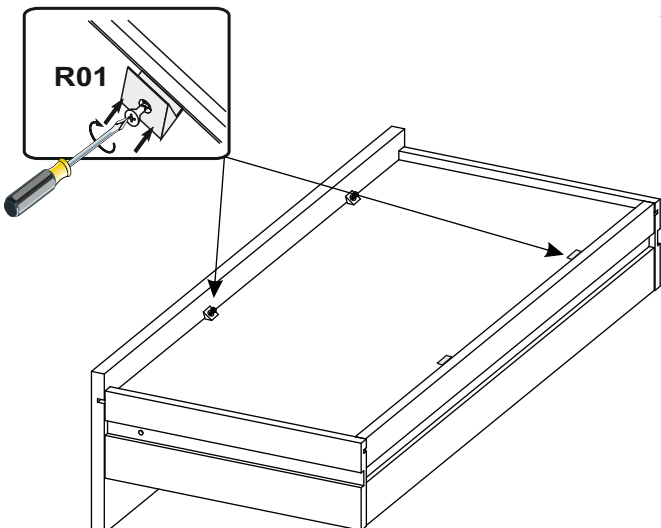
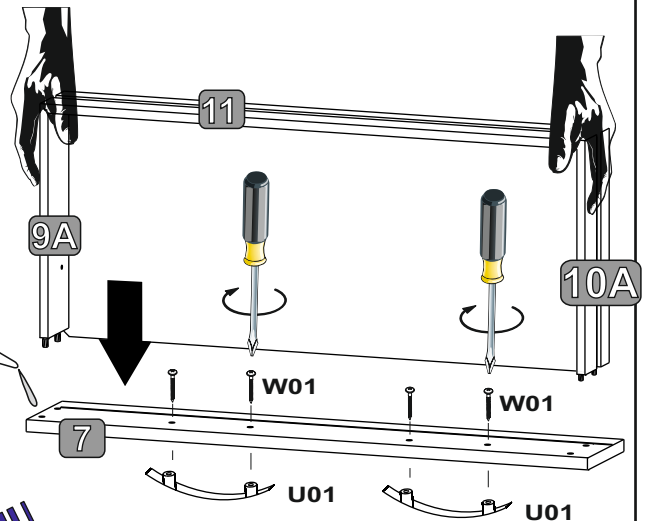
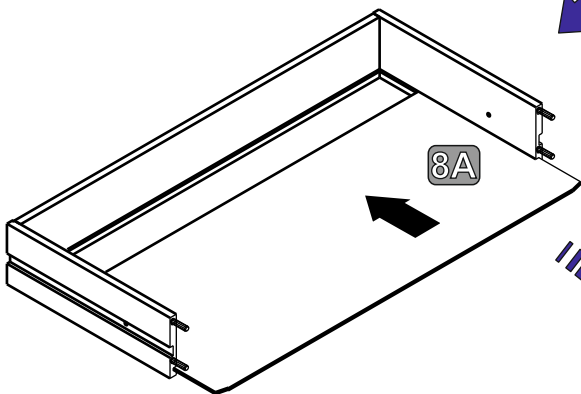
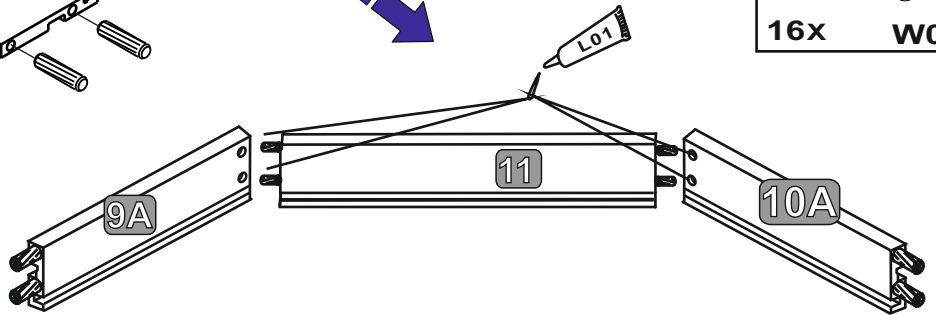
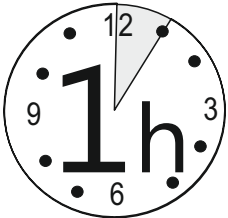
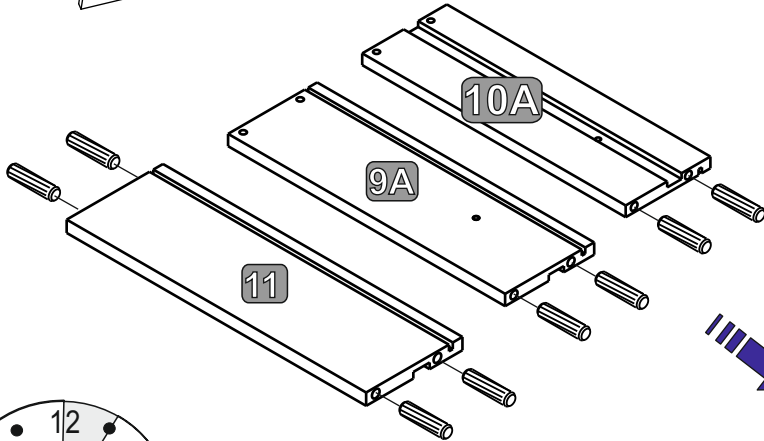
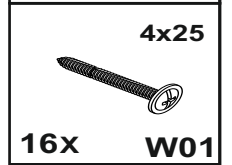
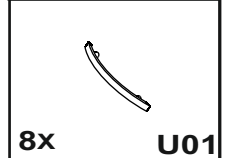
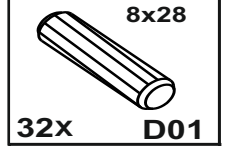
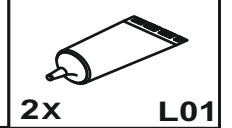
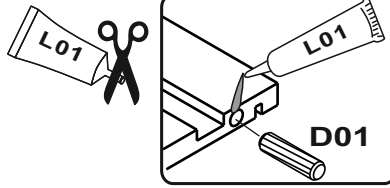
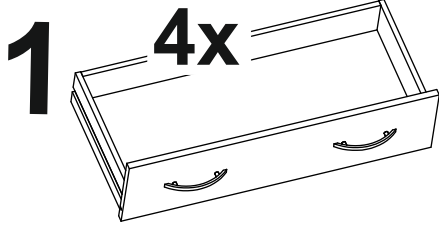
 8x T02	 8x T01	 44x D01	 1x F01	 1x F11	 24x R01
 8x U01	 16x W01	 8x P03	 16x W10	 2x L01	
 8x X02	 5x S01	 1 x P01	 2x W07		

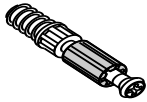


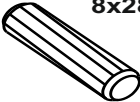



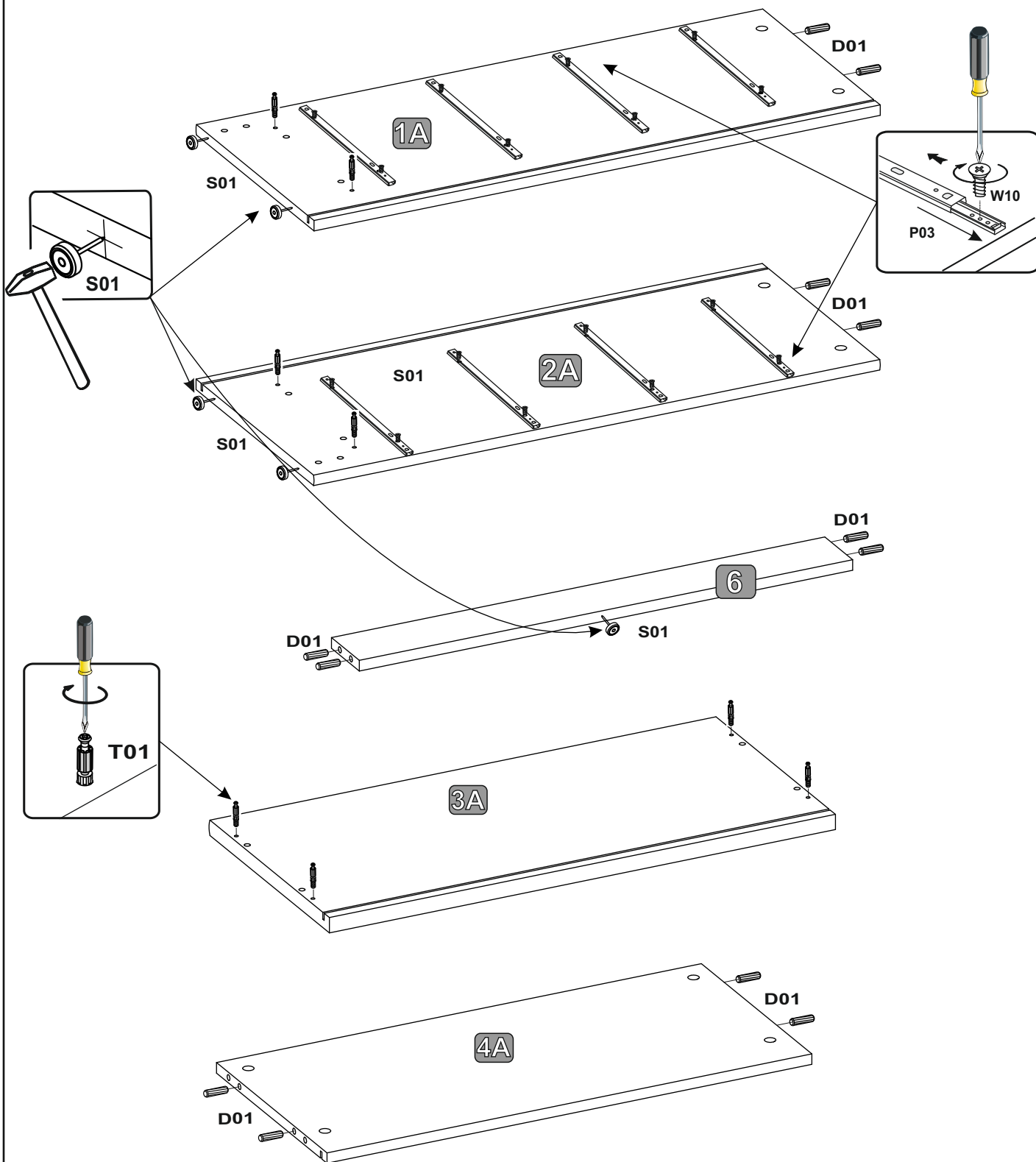
Č.	Rozmer	Ks	COLLI
1A	828x345x15	1	1/1
2A	828x345x15	1	1/1
3A	740x352x22	1	1/1
4A	709x323x15	1	1/1
5A	752x728x2	1	1/1
6	709x80x15	1	1/1
7	703x183x15	4	1/1
8A	687x290x2	4	1/1
9A	290x100x12	4	1/1
10A	290x100x12	4	1/1
11	676x100x12	4	1/1



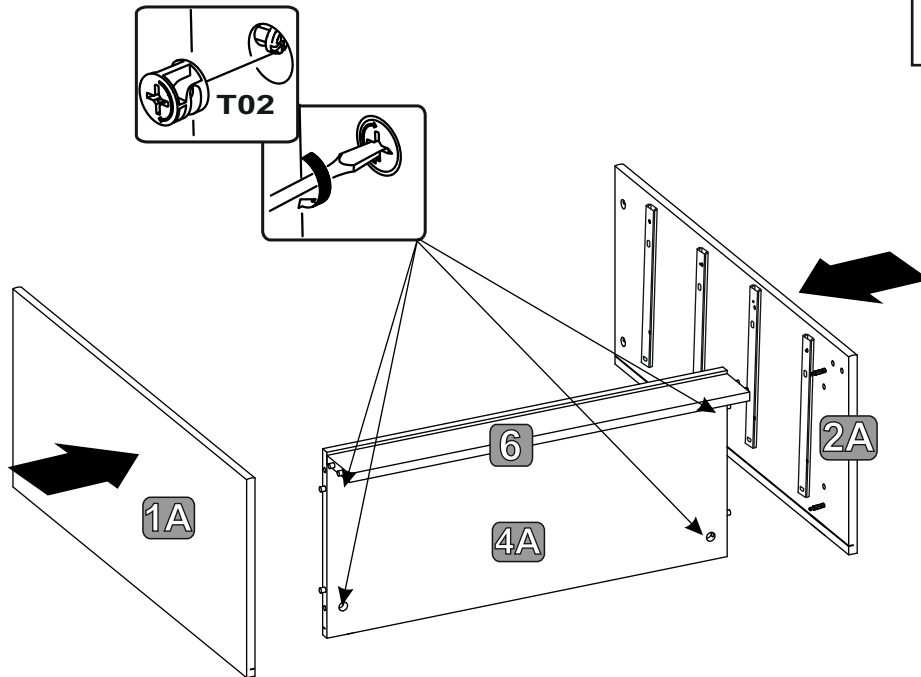


2

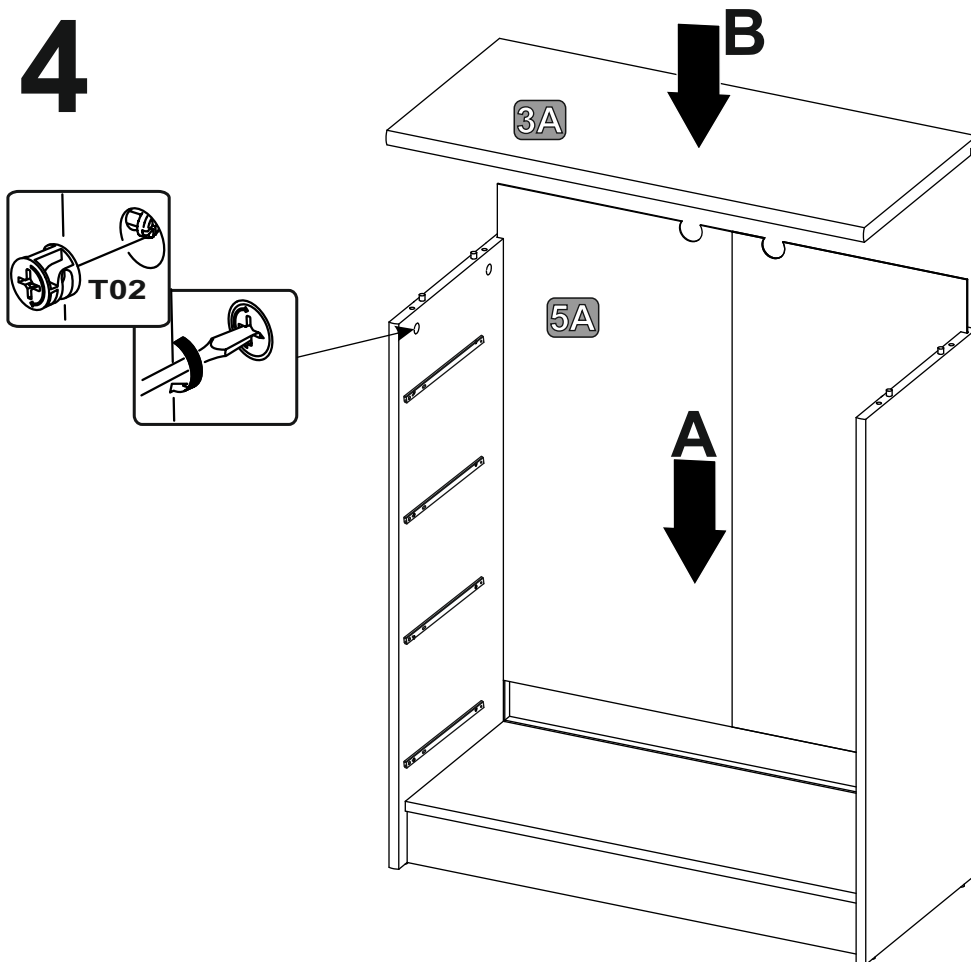
 8x T01	 6x8 W10	 8x P03	 8x28 D01	 4x S01
---	--	---	--	---



3

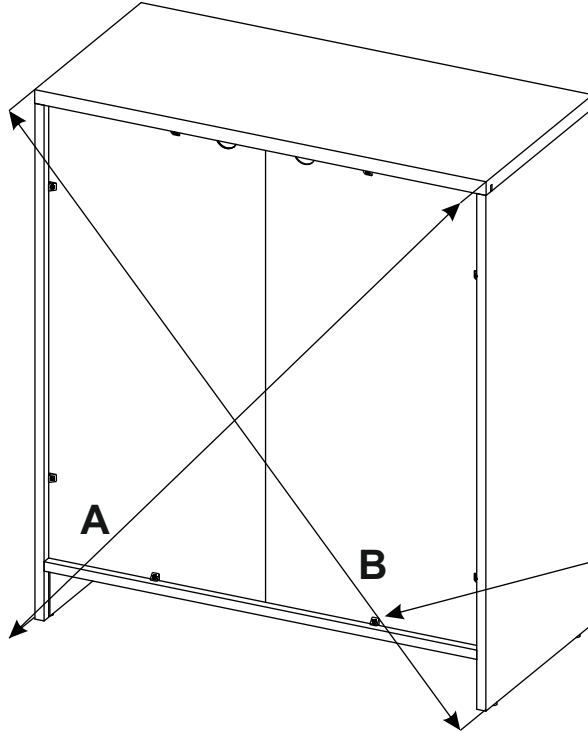


4

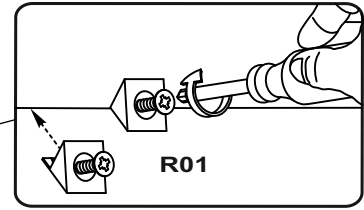


5

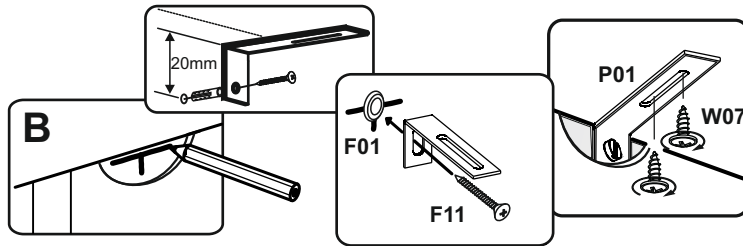
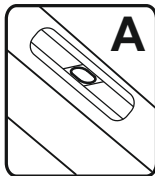
A=B



8x R01



6

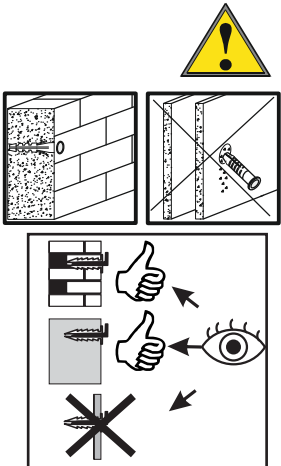
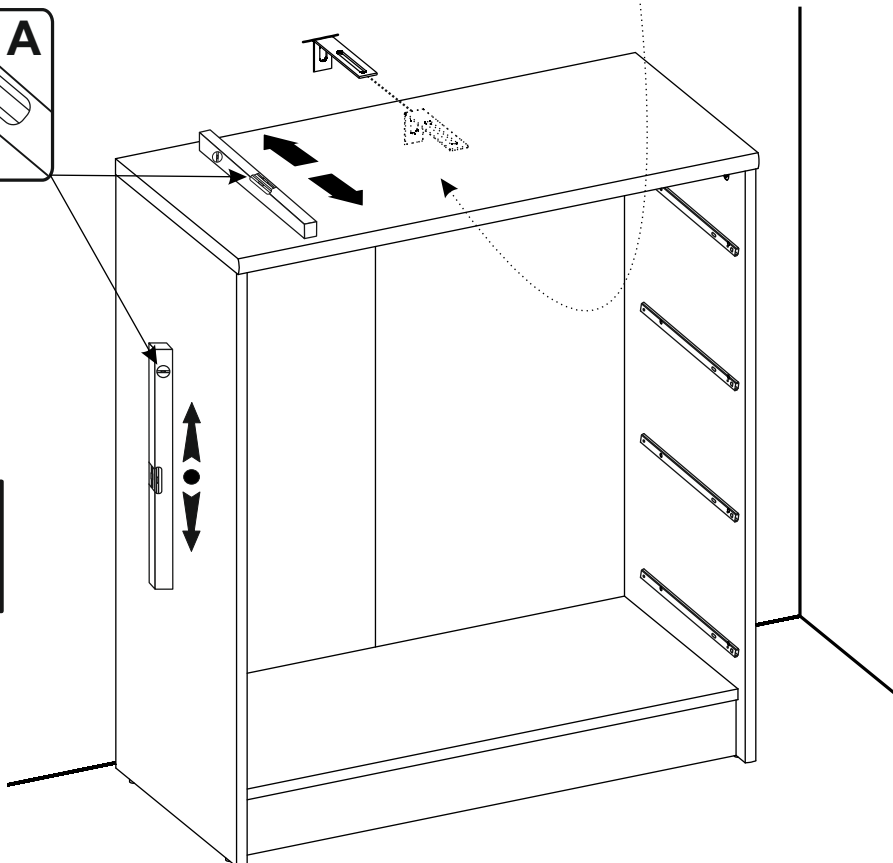


1x F01

1x F11

1x P01

2x W07
4x13



7

