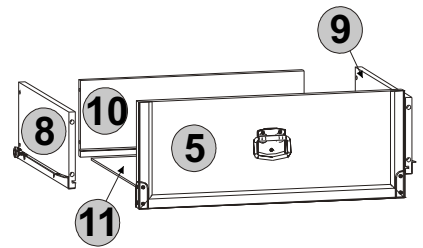
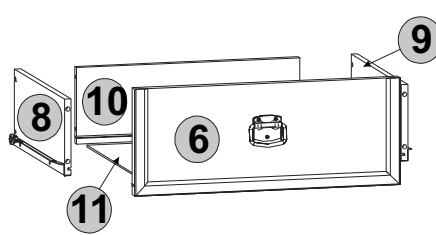
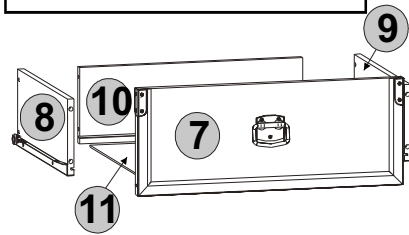
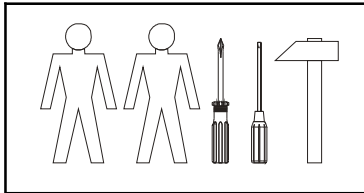
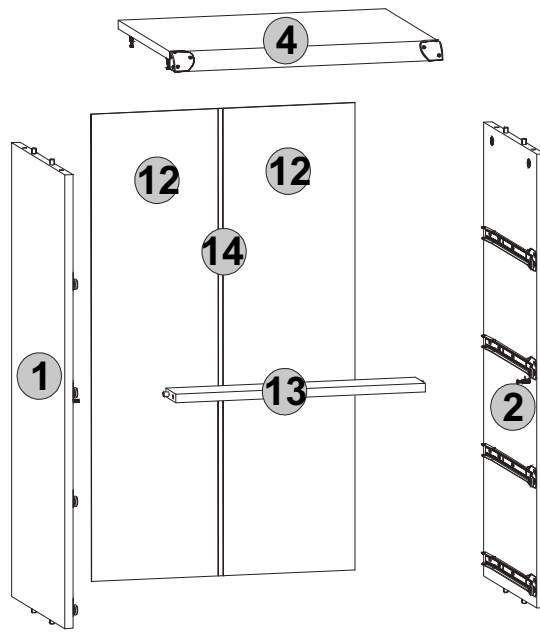


INDIANA 2

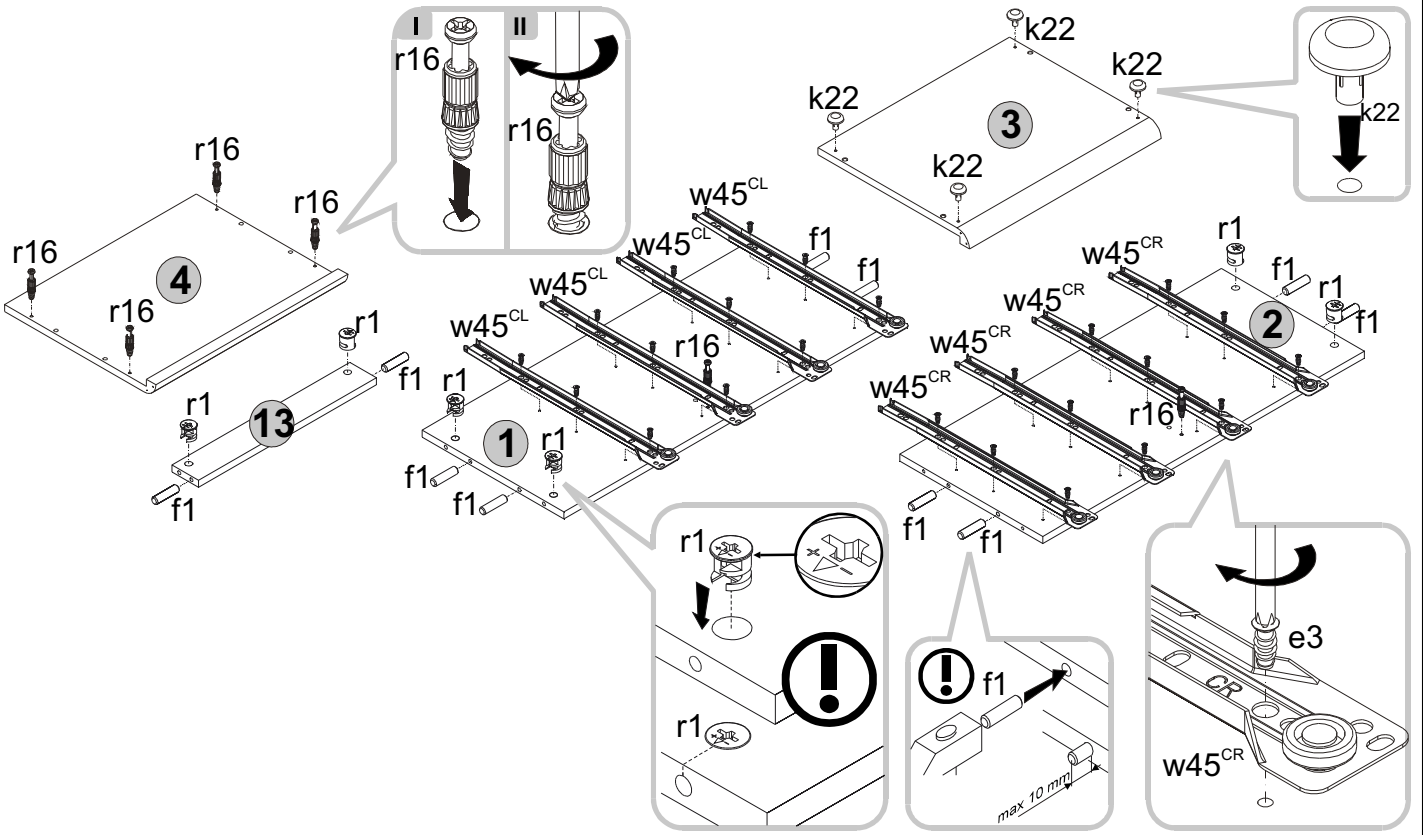
JKOM 4s/50

A	C	B	D
1	832x370	S31-109/A	1/3
2	832x370	S31-110/A	1/3
3	500x395	S31-204	2/3
4	500x395	S31-203	2/3
5	496x196	S31-0011	3/3
6	496x196	S31-0012	3/3
7	496x196	S31-0007	3/3
8	350x140	S31-5504	1/3
9	350x140	S31-5505	1/3
10	410x140	S31-5506	1/3
11	420x348	S31-9903	1/3
12	856x246	S31-1908	1/3
13	467x70	S31-430	1/3
14	826x14	Lh-826	1/3

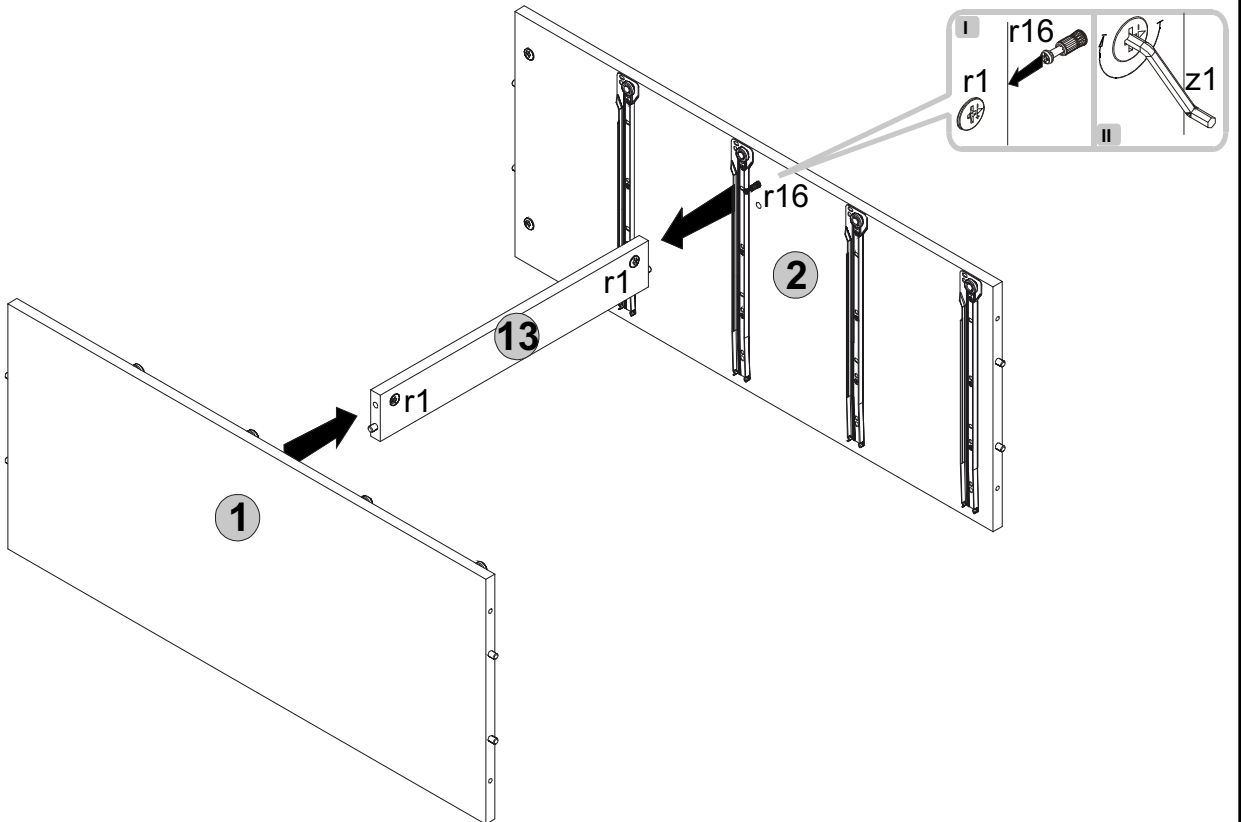


4x 32 mm c158	4x φ7x50 mm e1	24x φ6x13 mm e3	16x φ5x9 mm e19	10x φ8x30 mm f1	16x φ6.5x40 mm f25	8x M4x22 mm j30
4x φ15 k22	30x l1	4x l27	2x l28^L	2x l28^P	16x φ3x12 mm p83	6x φ15x12mm #16 r1
22x r16	2x ø16 s2	4x 350 mm w45^{CL}	4x 350 mm w45^{CR}	4x 350 mm w45^{DL}	4x 350 mm w45^{DR}	1x z1

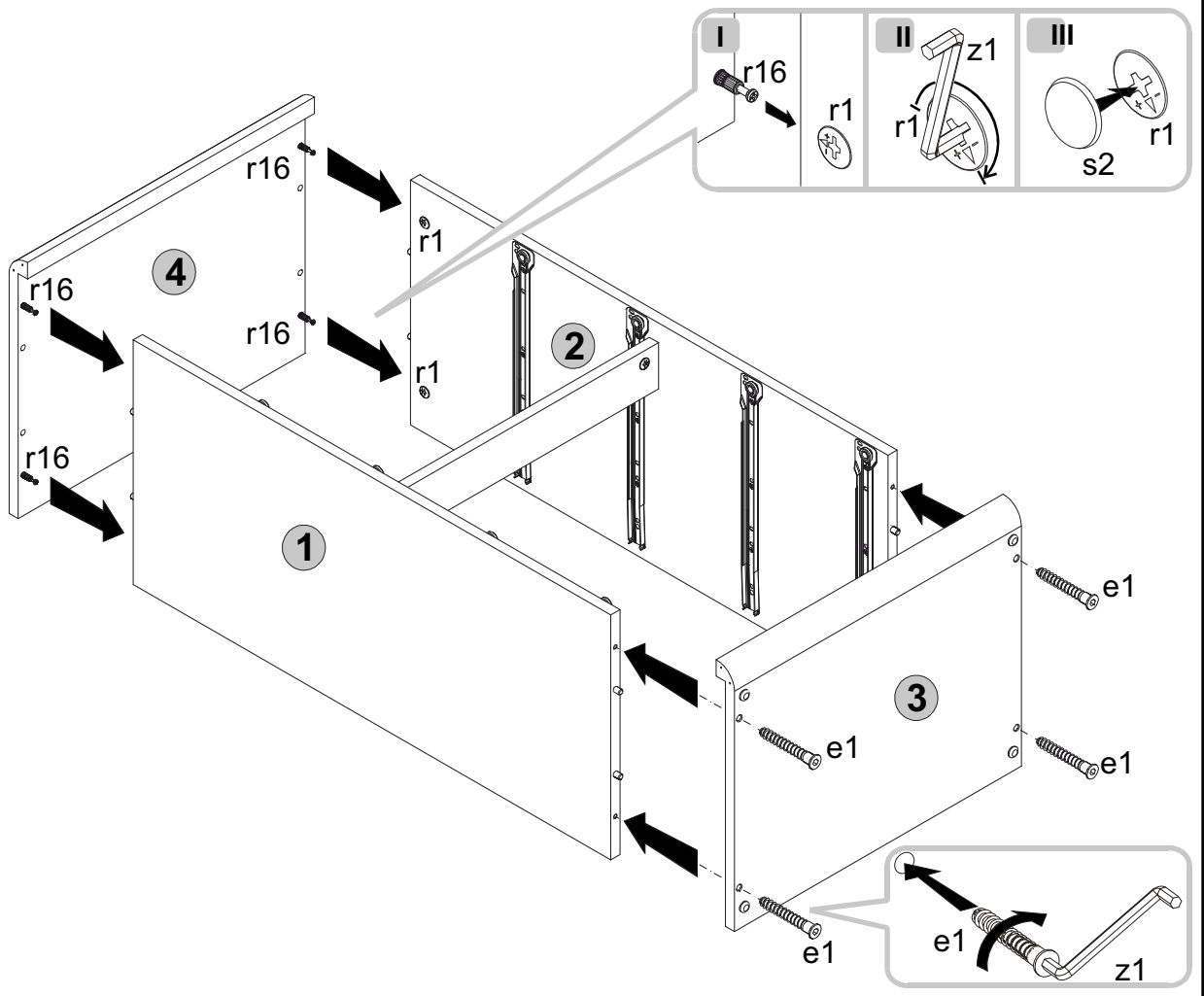
1



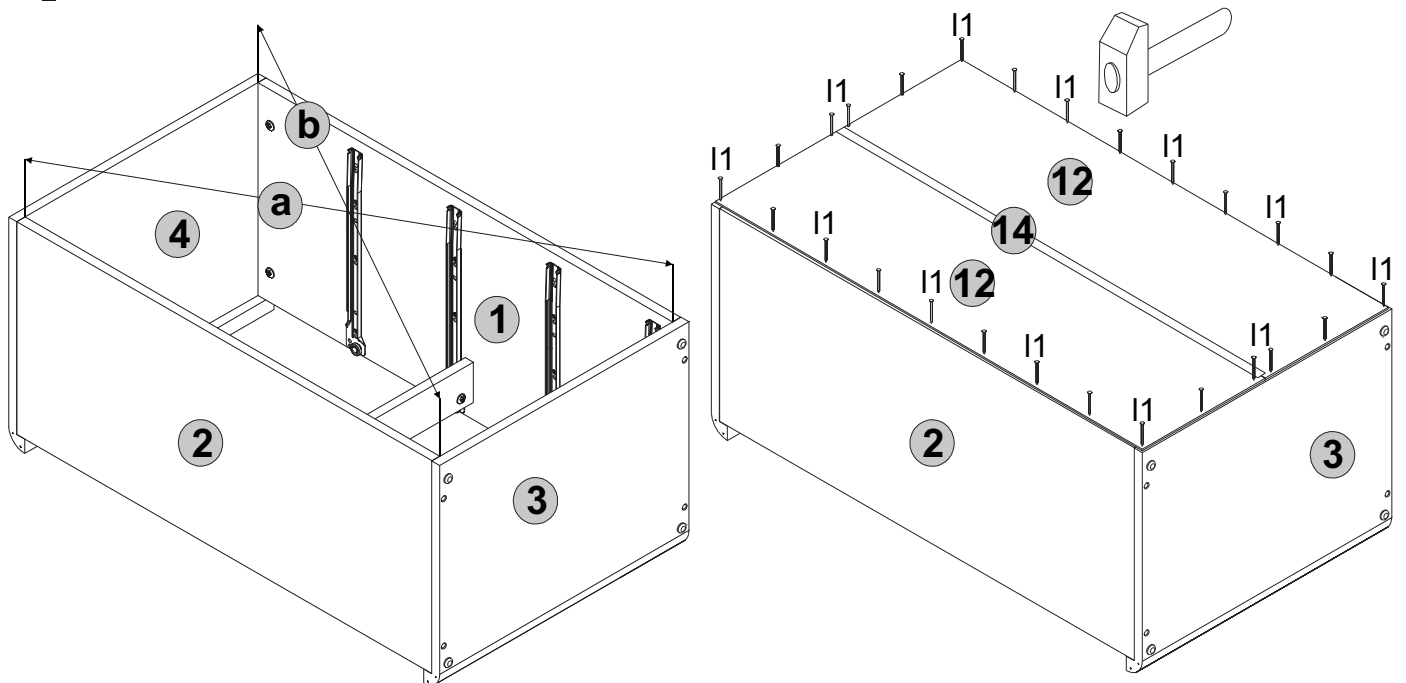
2



3

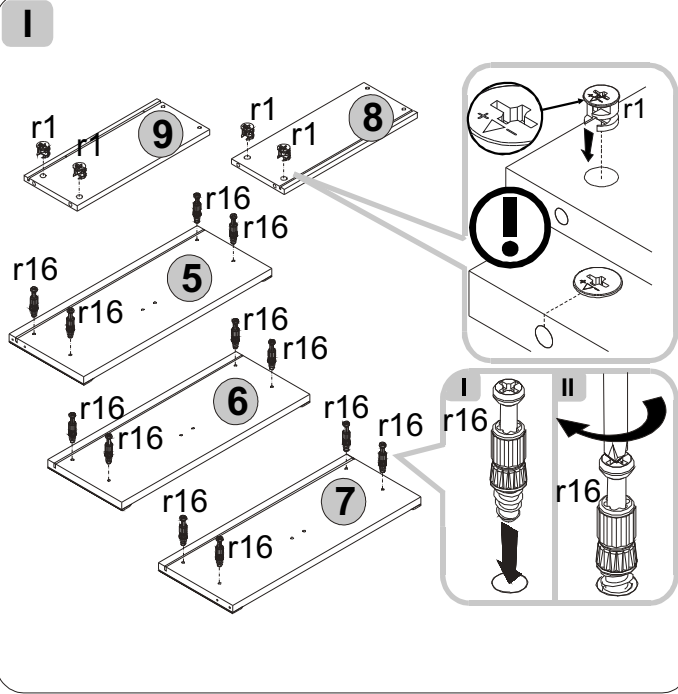


4

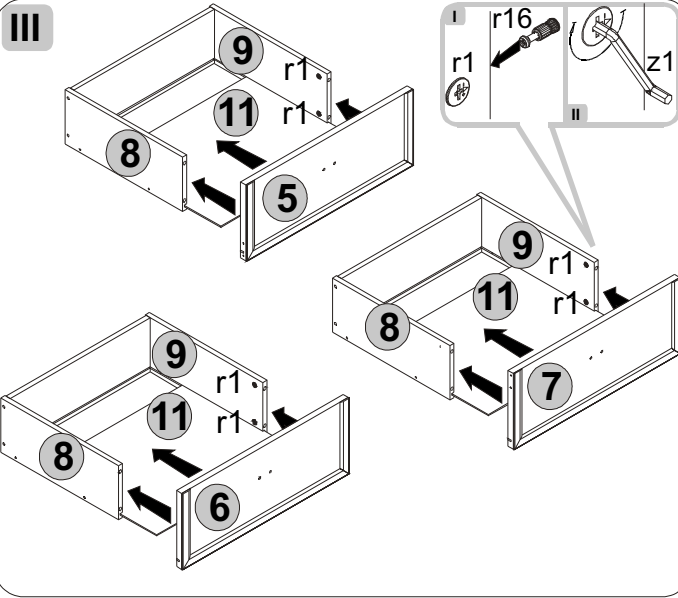
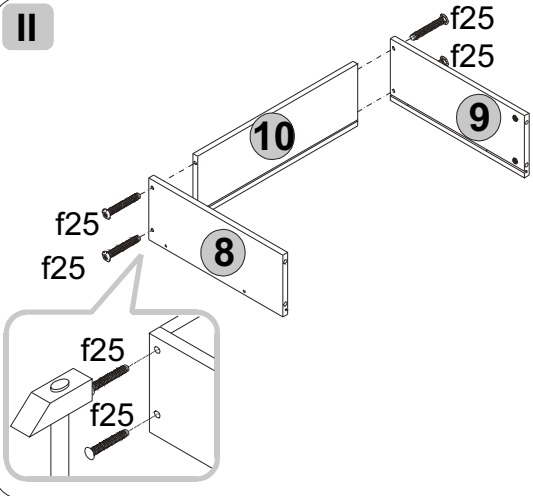


$a=b$

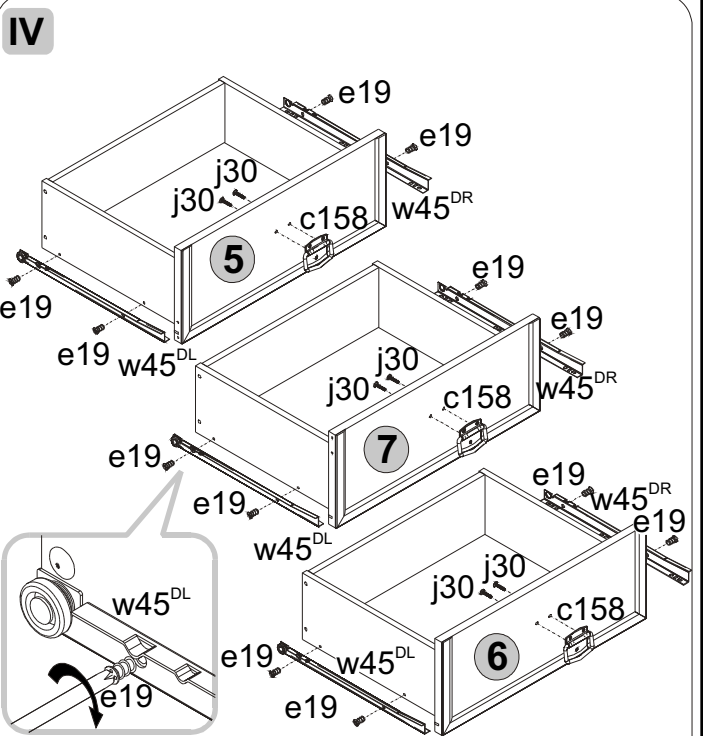
5



II



IV



6

