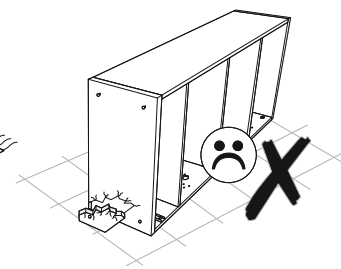
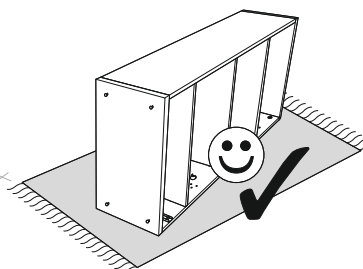
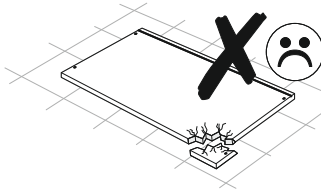
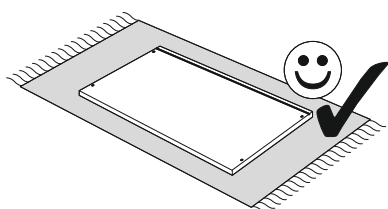
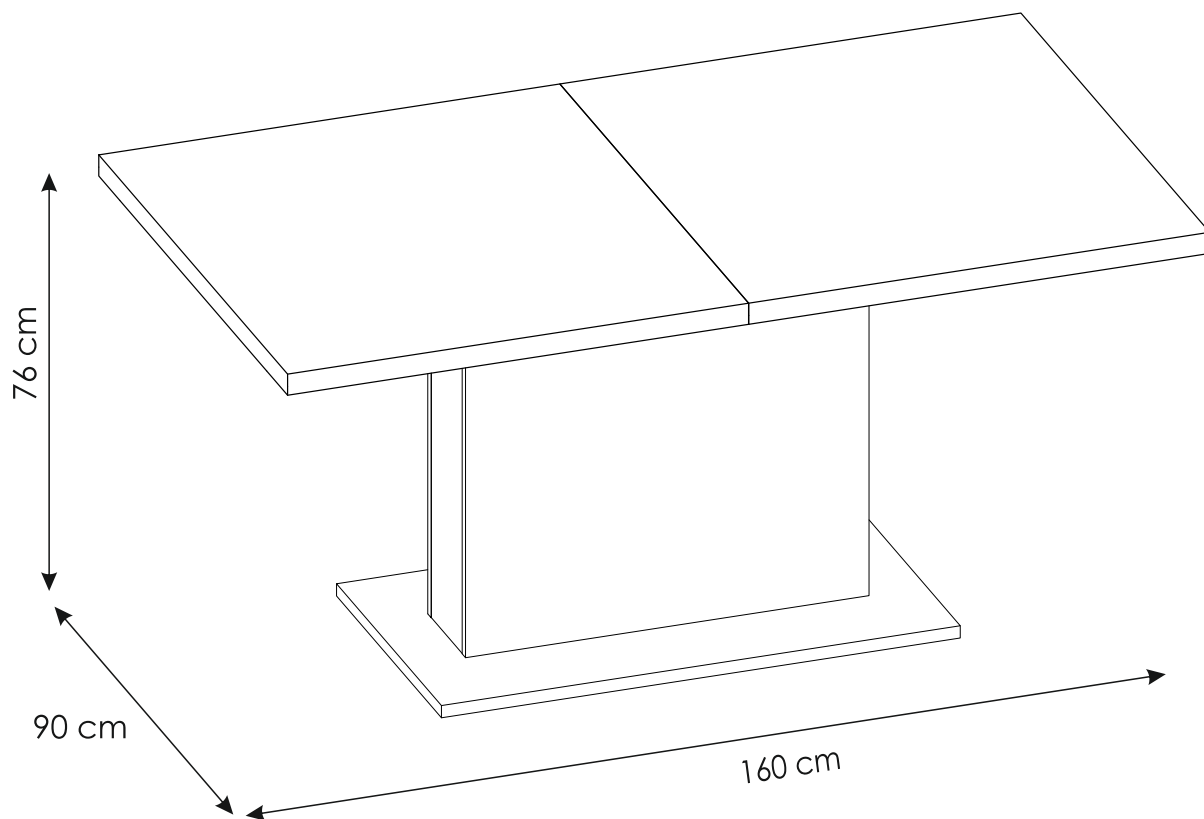
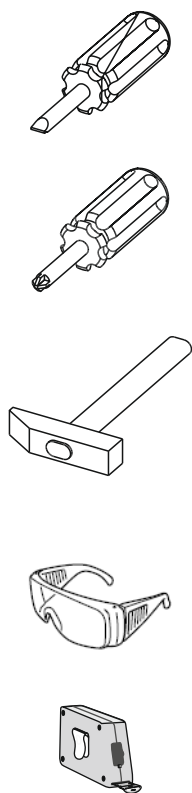
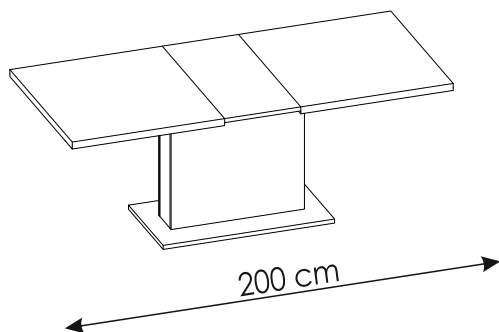
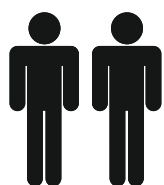
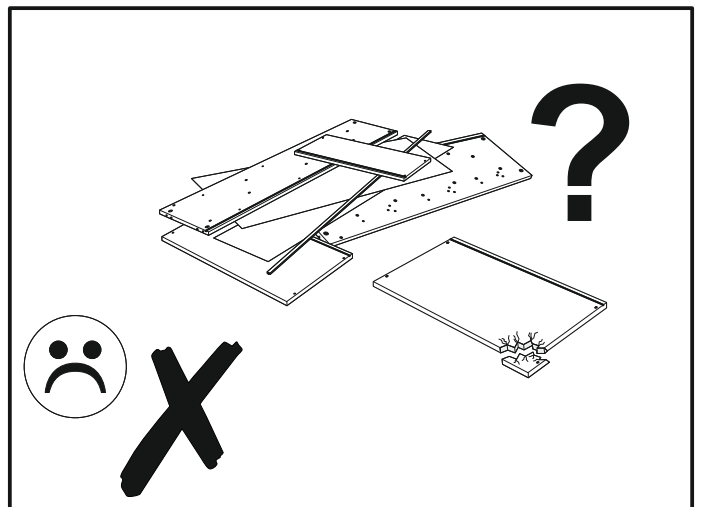
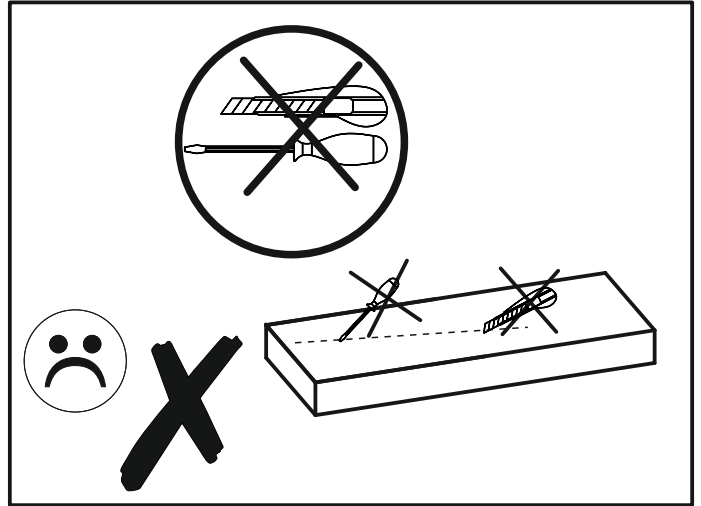
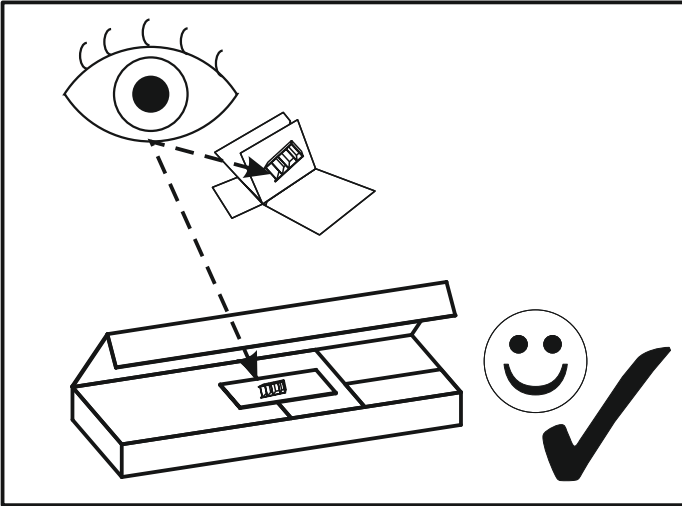


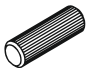

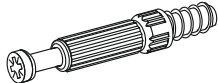
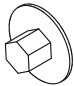



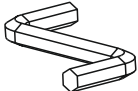
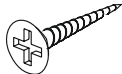

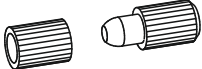
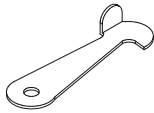

KENT/MADRAS MDT 20

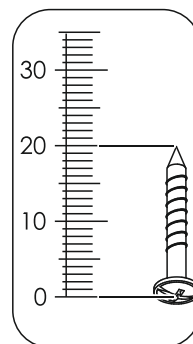
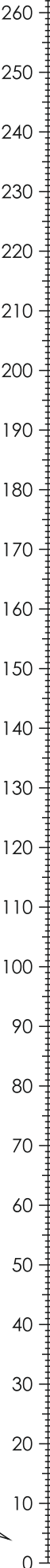




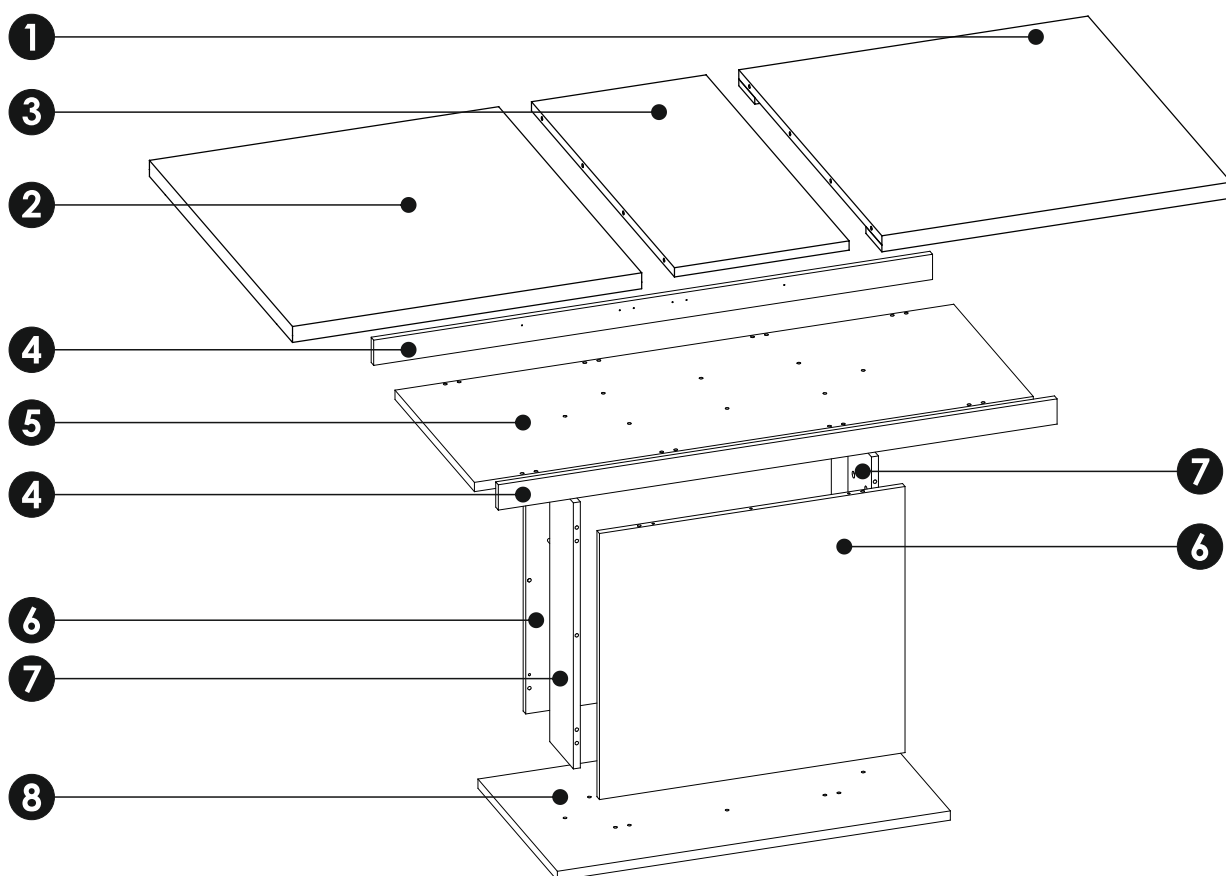
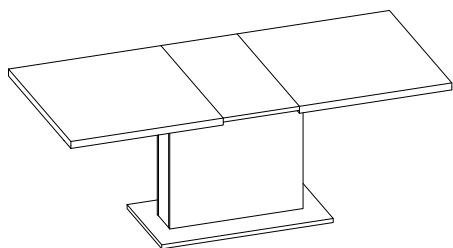
KENT/MADRAS MDT 20

MM

<p>A1 8 x 35 mm x28</p> 	<p>E1 $\varnothing 15 \times 12,5$ mm x8</p> 	<p>F1 6 x 34 mm x8</p> 
<p>G0 x16</p> 	<p>G1 7 x 50 mm x24</p> 	<p>I2 4 x 16 mm x8</p> 
<p>I3 4 x 20 mm x20</p> 	<p>M x1</p> 	<p>N2 3,5 X 16 mm x16</p> 
<p>O2A $\varnothing 20$ x10</p> 	<p>R8 x8</p> 	<p>S19 x4</p> 
<p>T10 x2</p> 		

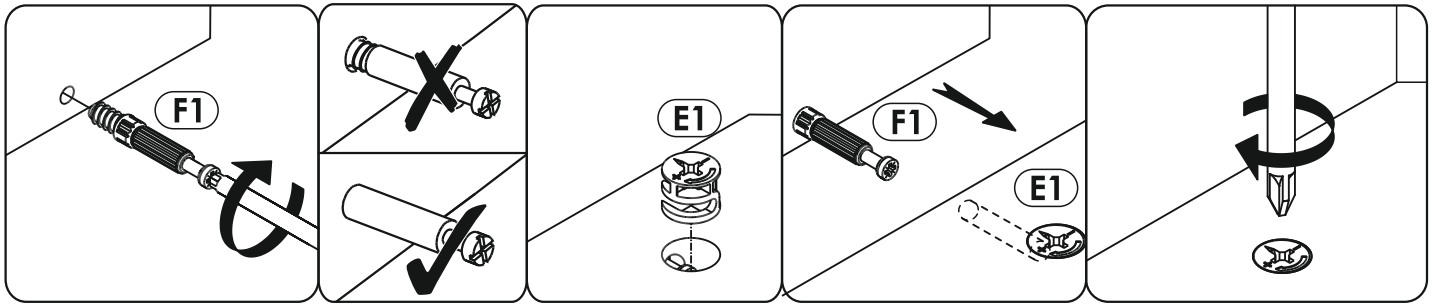


KENT/MADRAS MDT 20

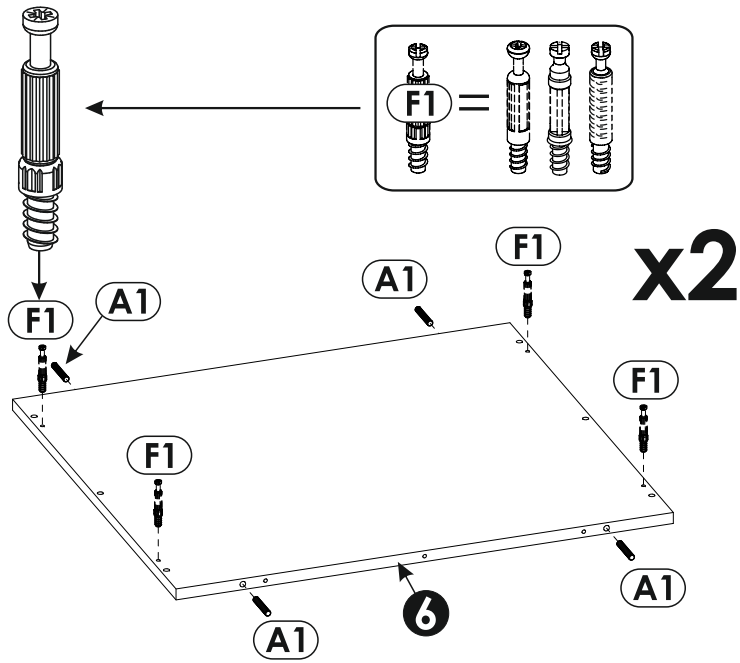


1	900	800	22 x1	1/1
2	900	800	22 x1	1/1
3	1380	312	22 x1	2/1
4	1280	60	16 x2	1/1

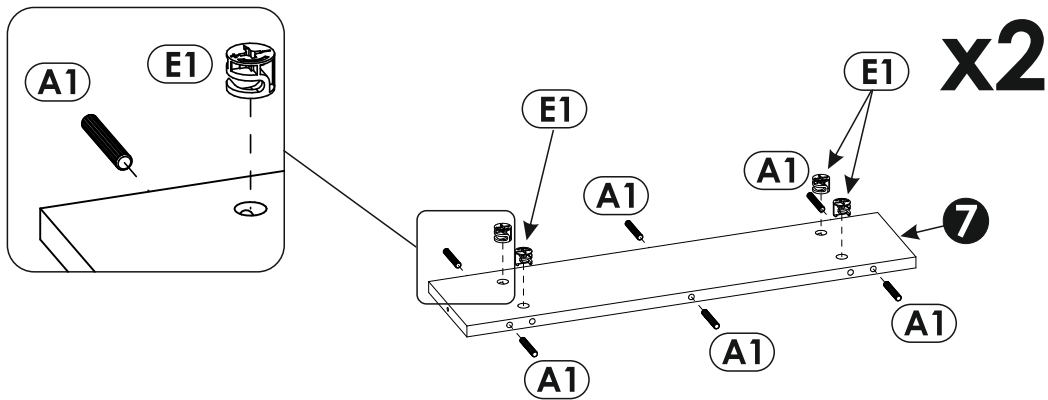
5	1280	500	22 x1	2/1
6	700	632	16 x1	1/1
7	148	632	16 x2	2/1
8	900	500	22 x1	2/1



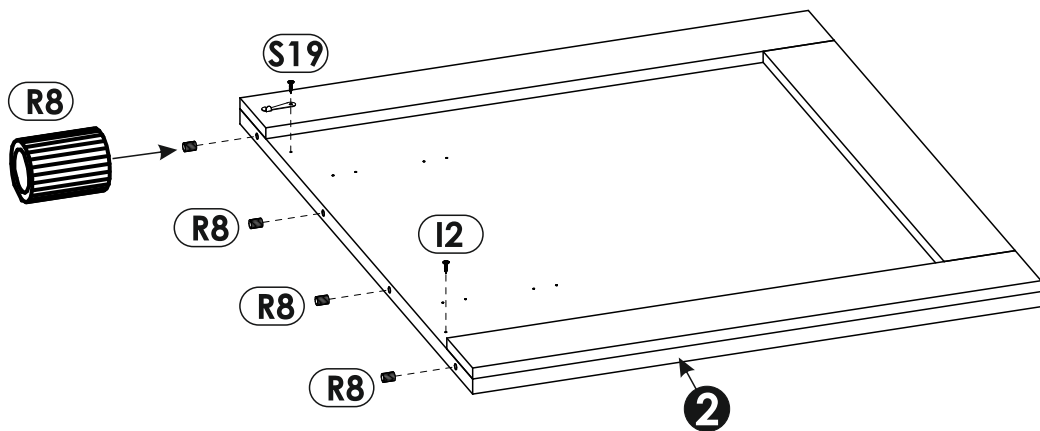
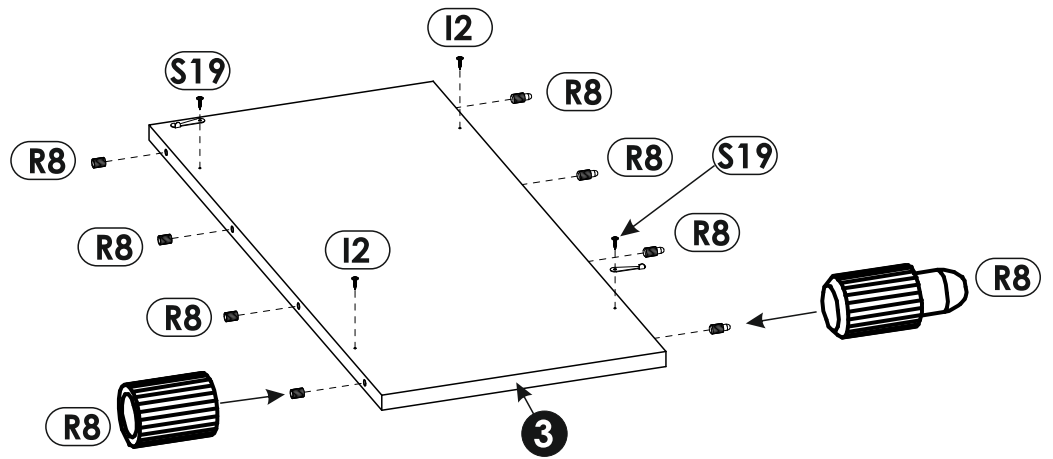
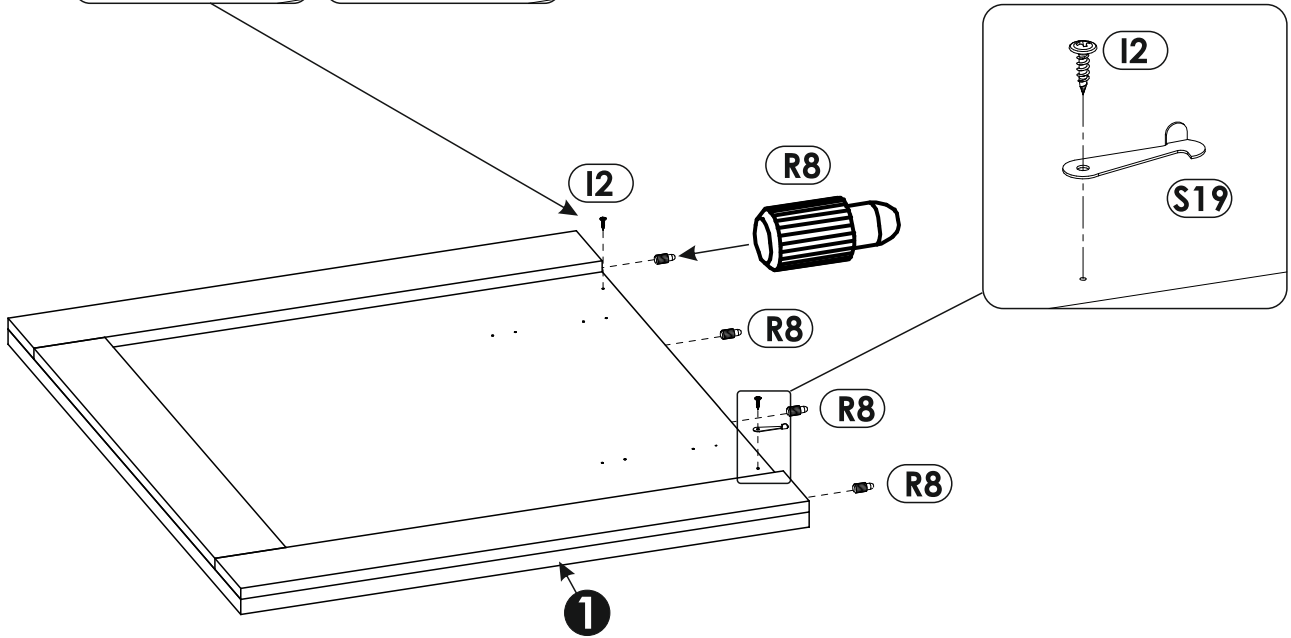
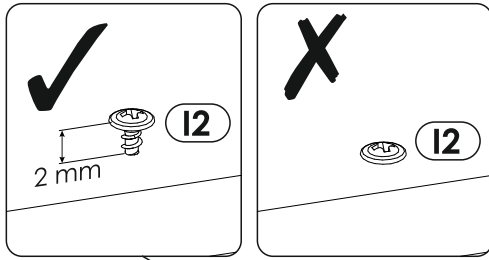
1 ▶



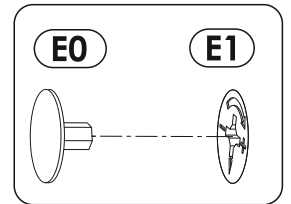
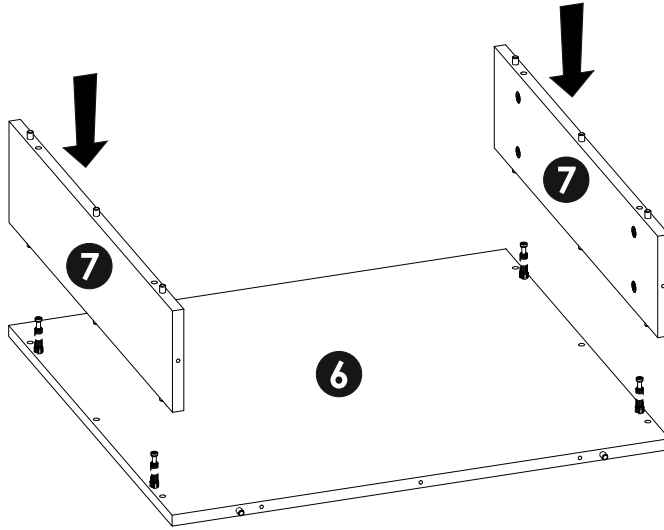
2 ▶



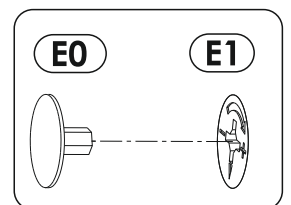
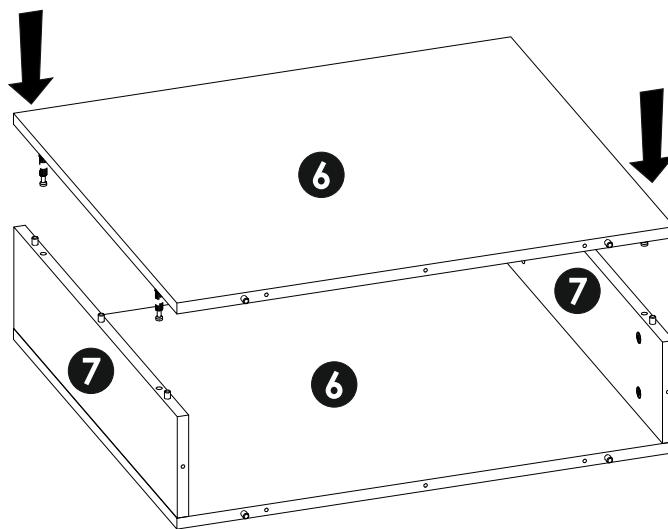
3 ▶



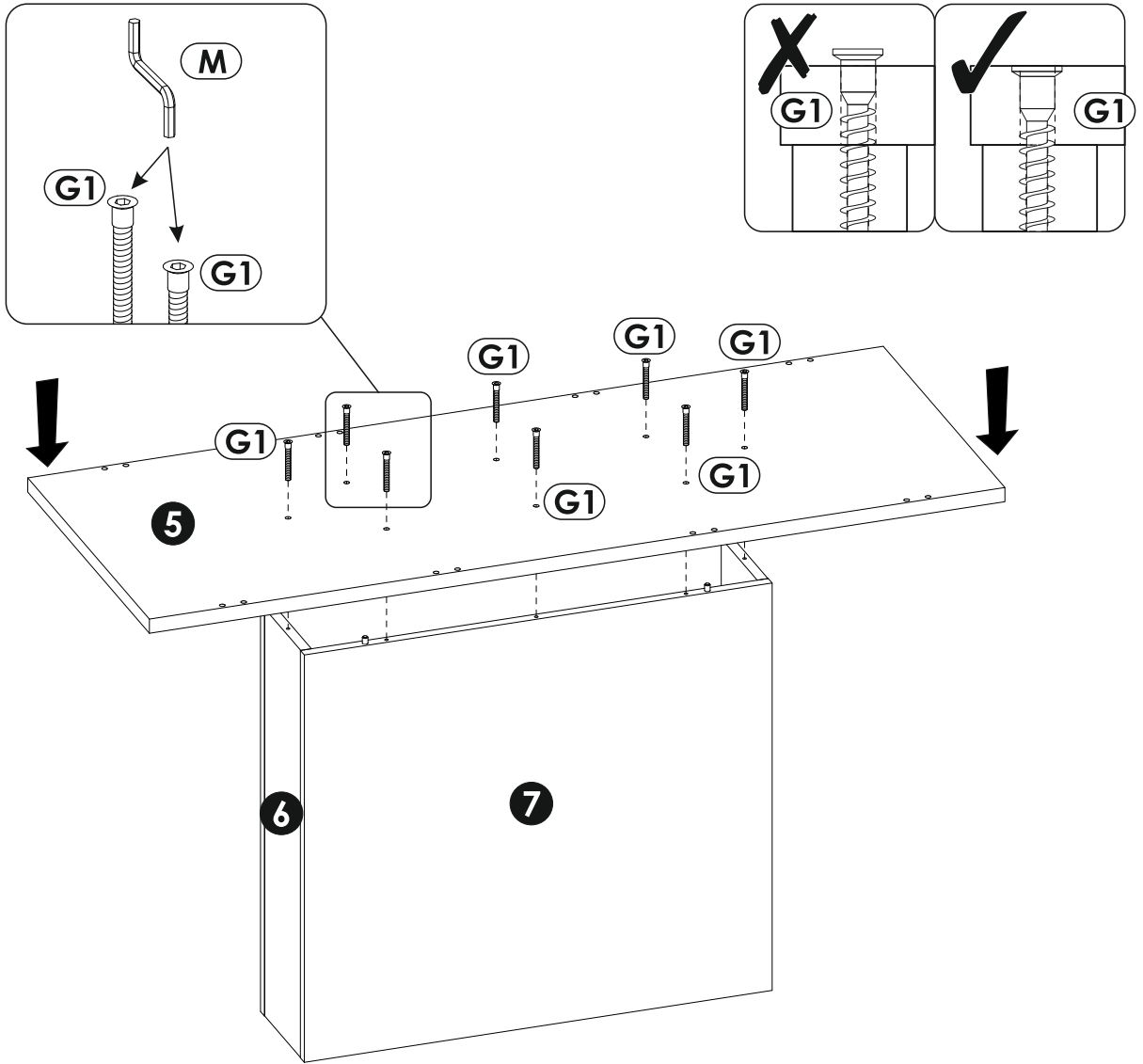
4▶



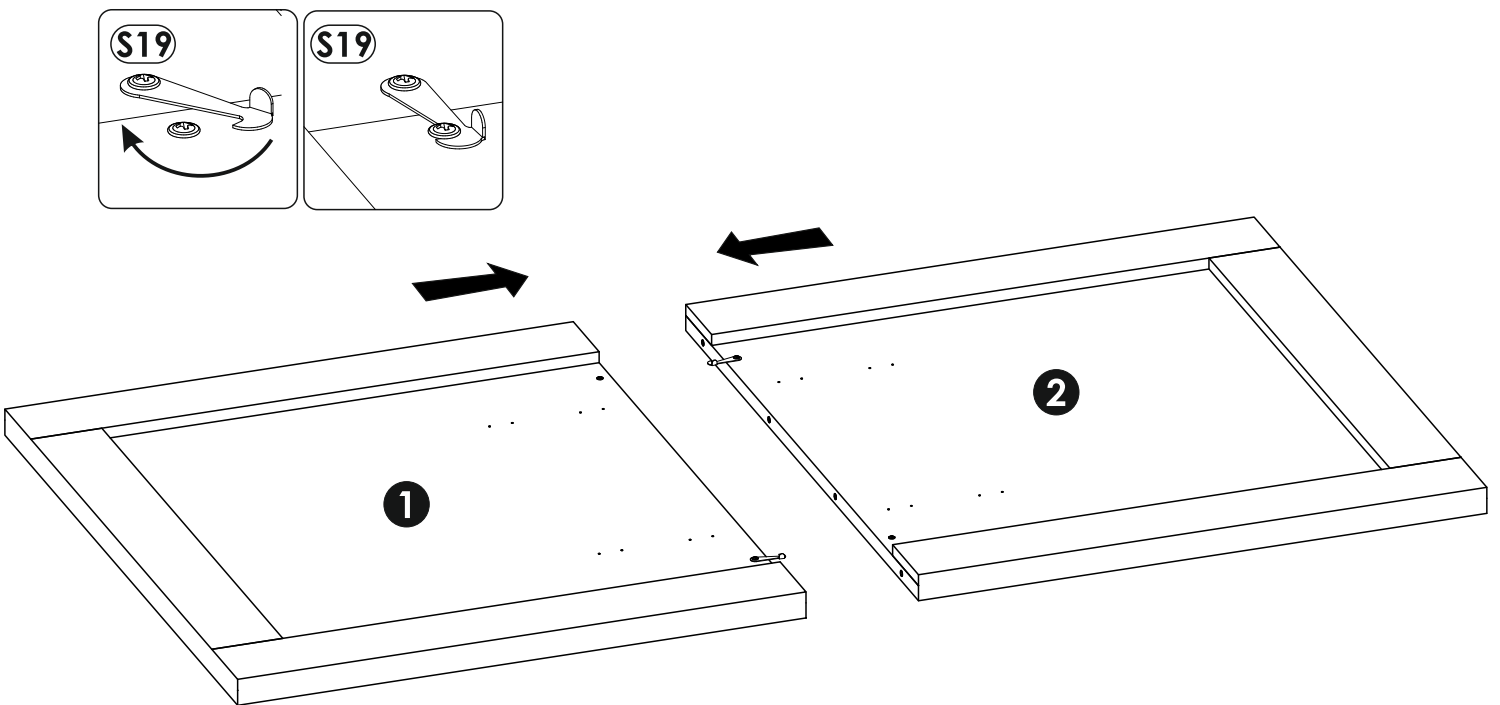
5▶



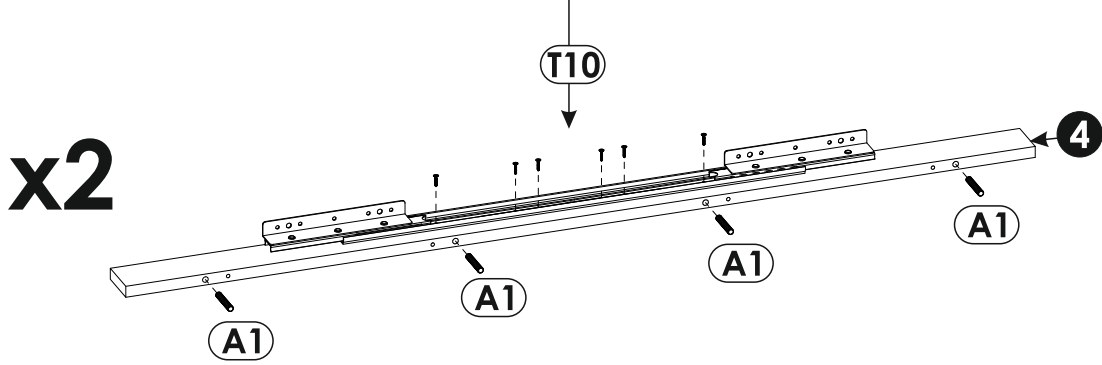
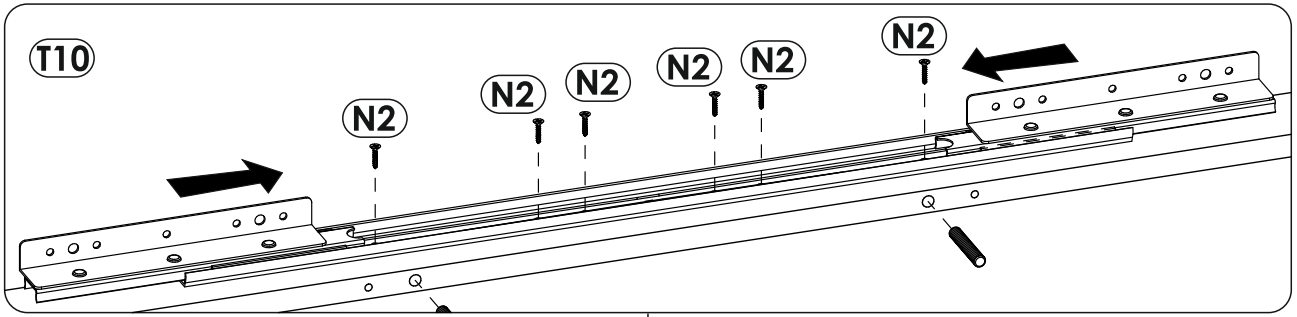
6 ▶



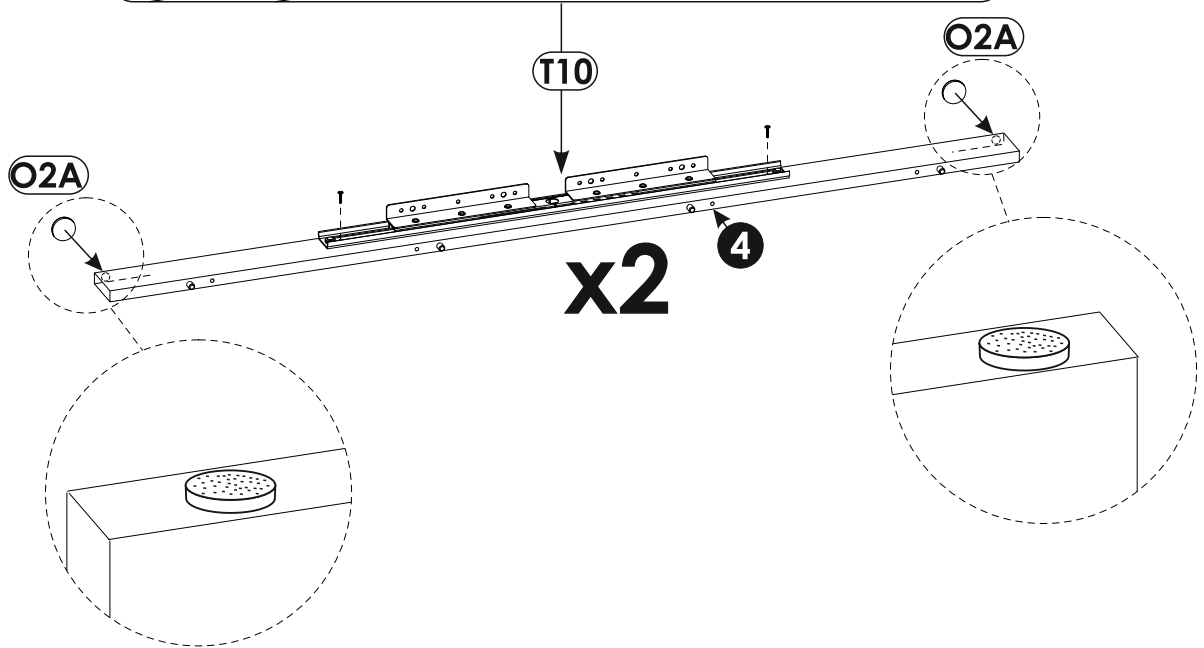
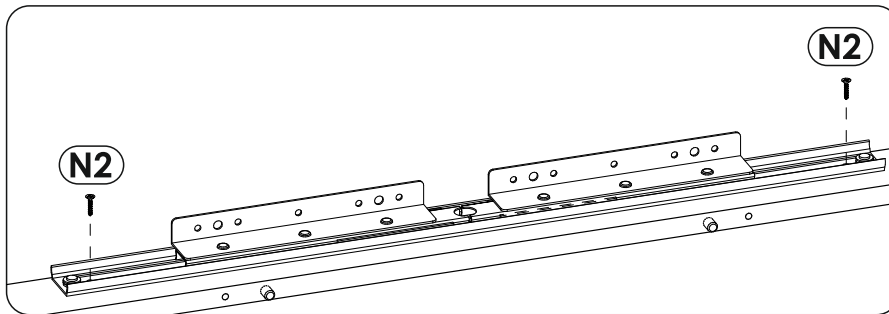
7 ▶



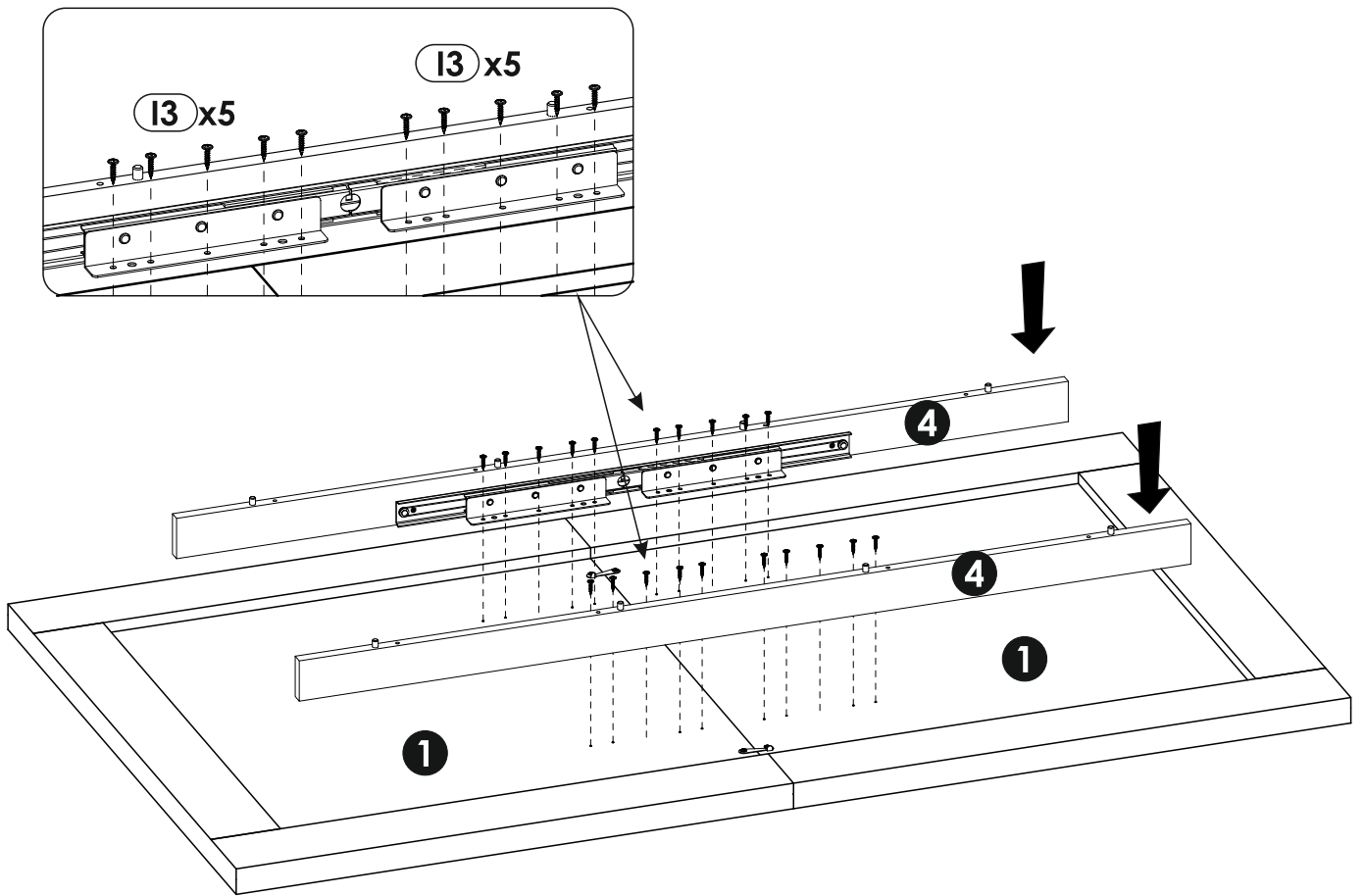
8.1 ▶



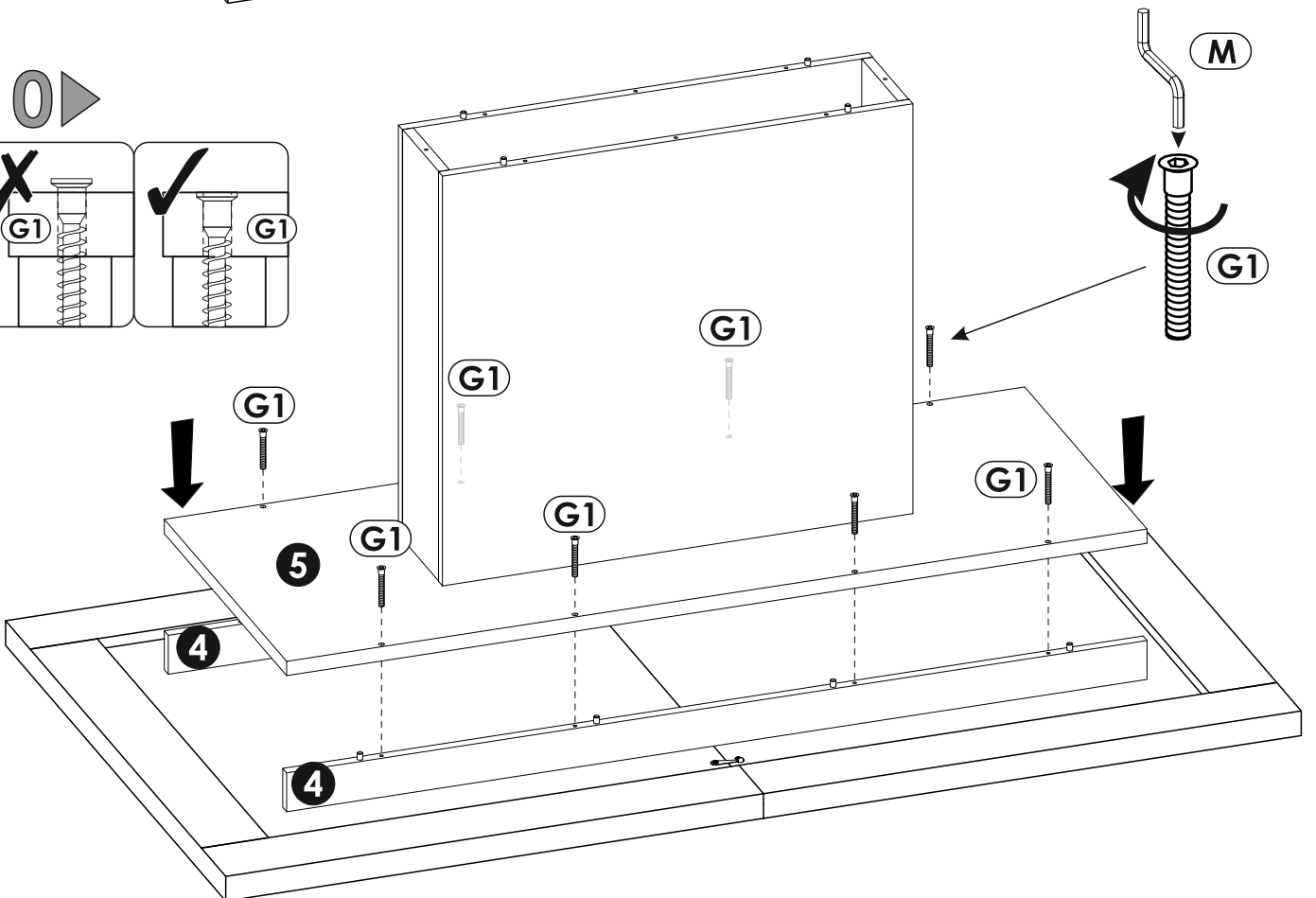
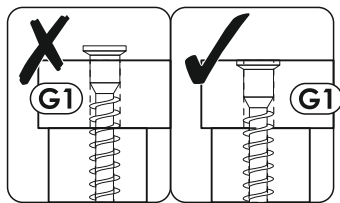
8.2 ▶

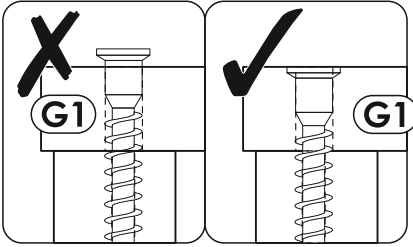
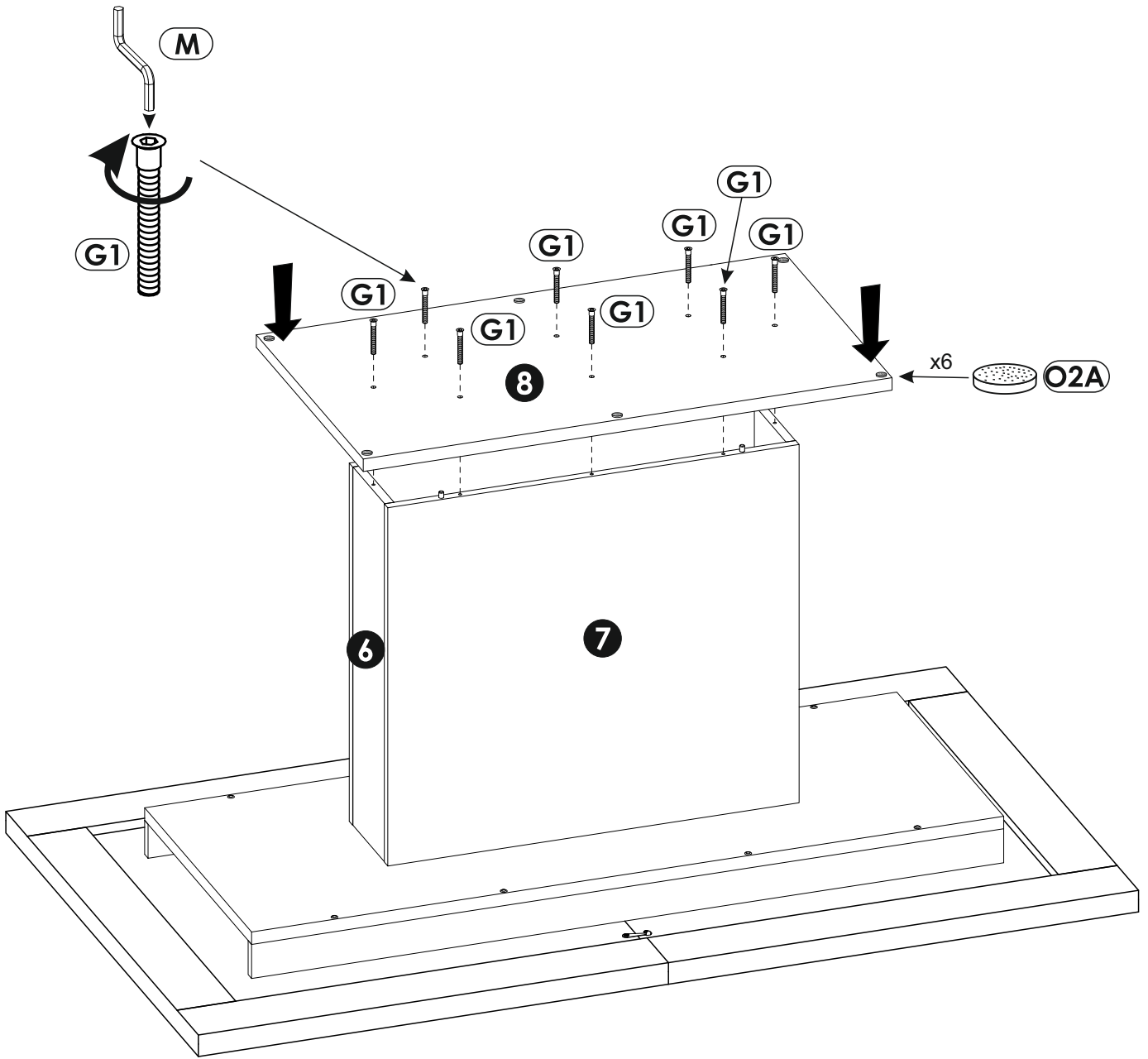


9 ▶



10 ▶





12▶

