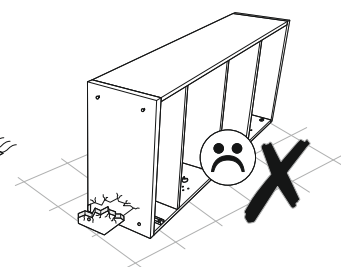
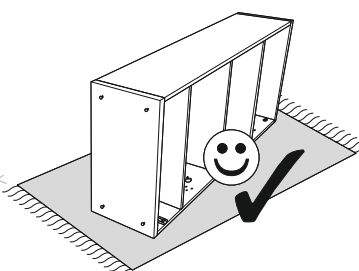
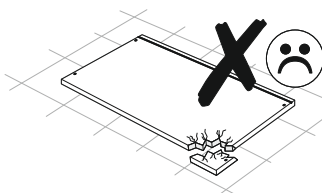
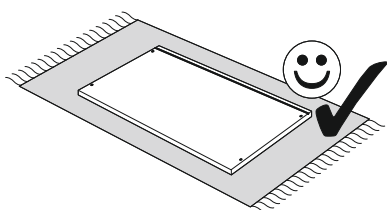
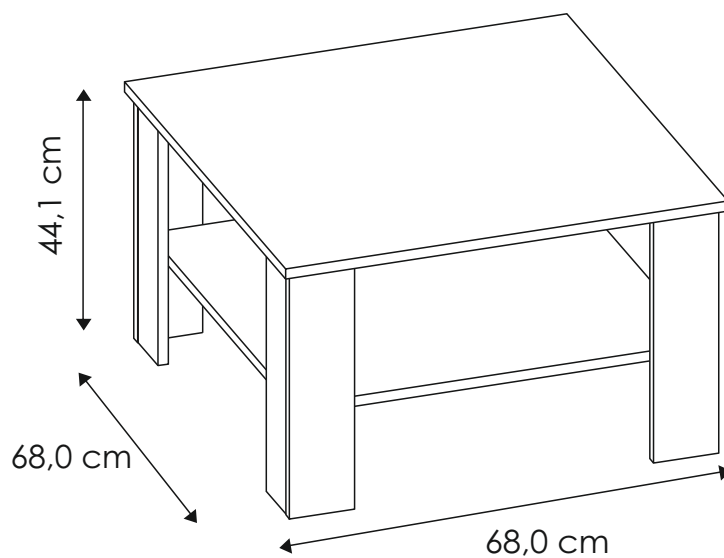
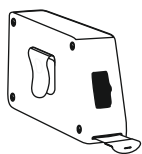
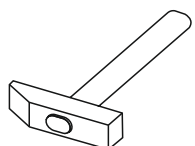
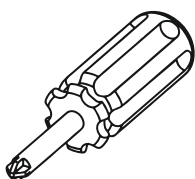
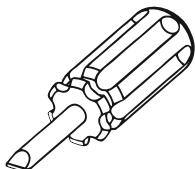
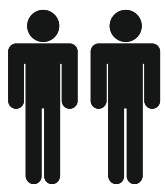
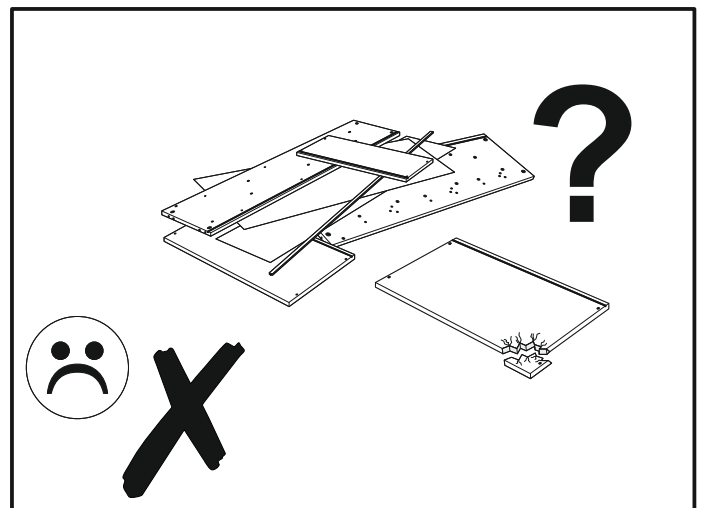
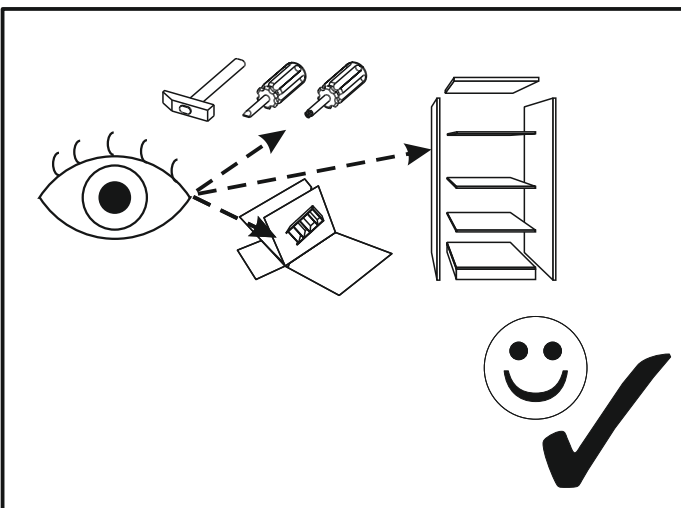
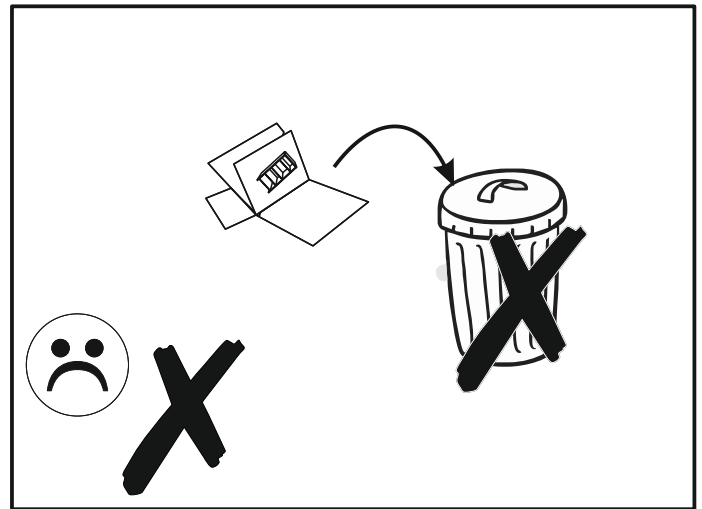
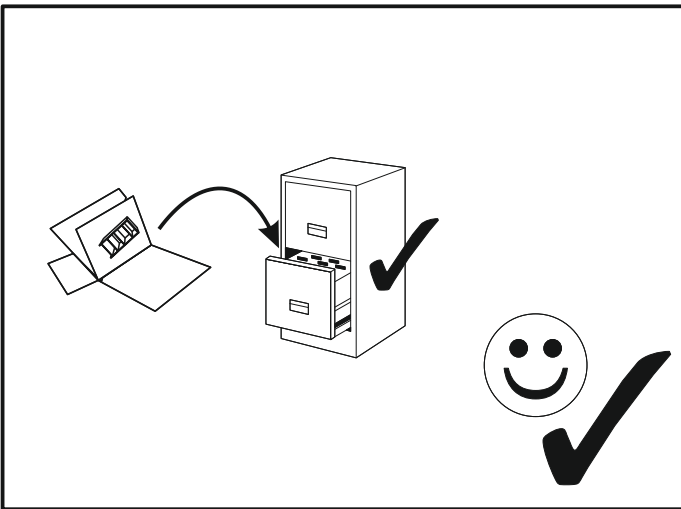
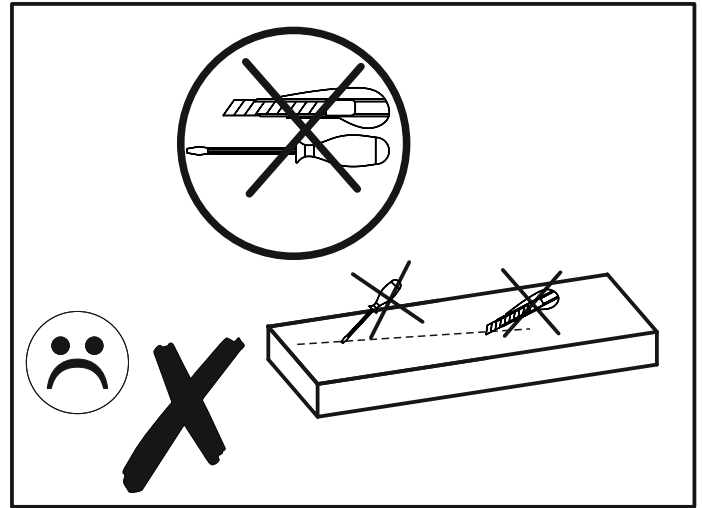
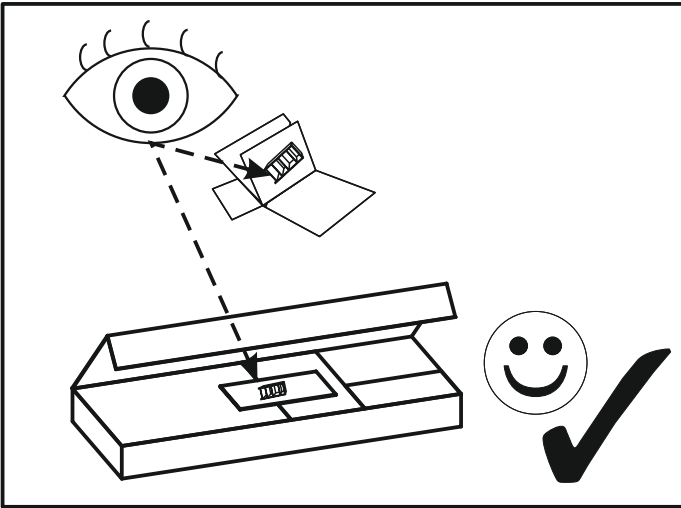


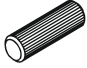


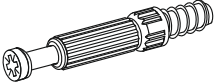
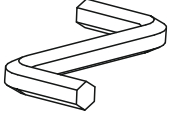

VET03

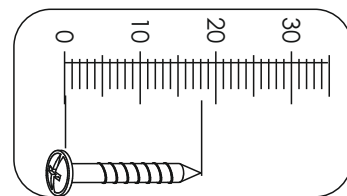
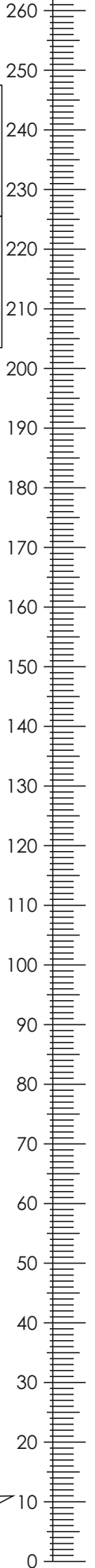




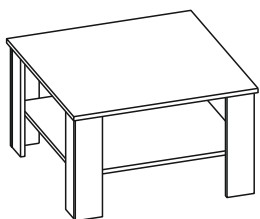
VET03

MM

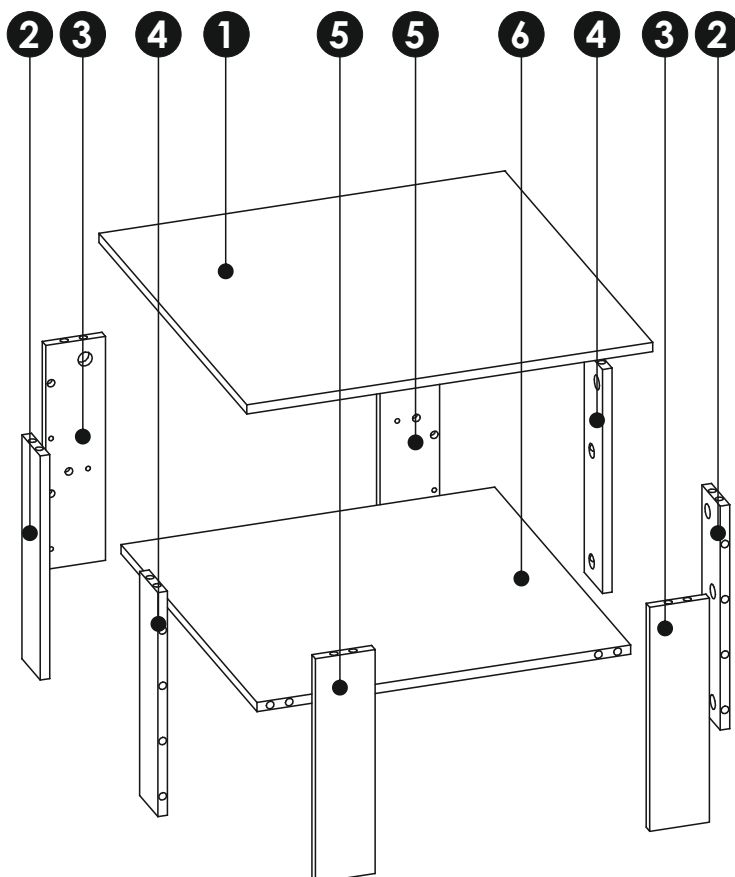
A1 8 x 35 mm x20 	E1 15 x 12 mm x20 	E0 x20 
F1 6 x 34 mm x20 	M x1 	O2 x8 

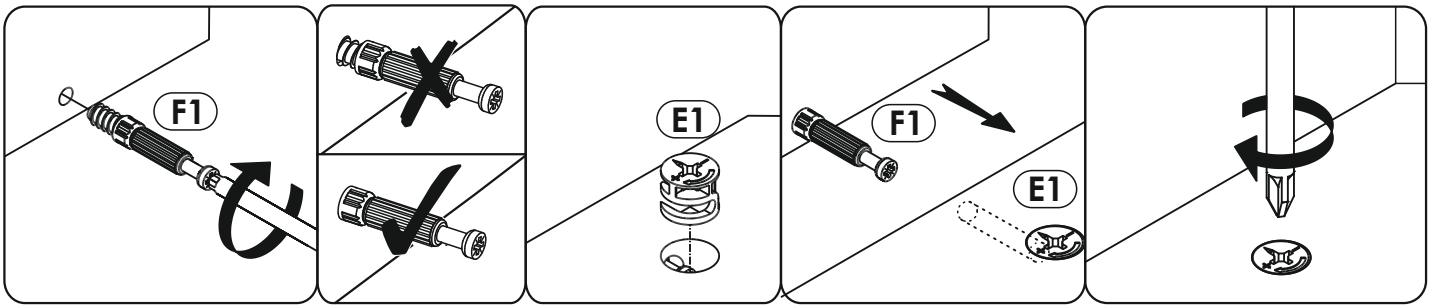


VET03

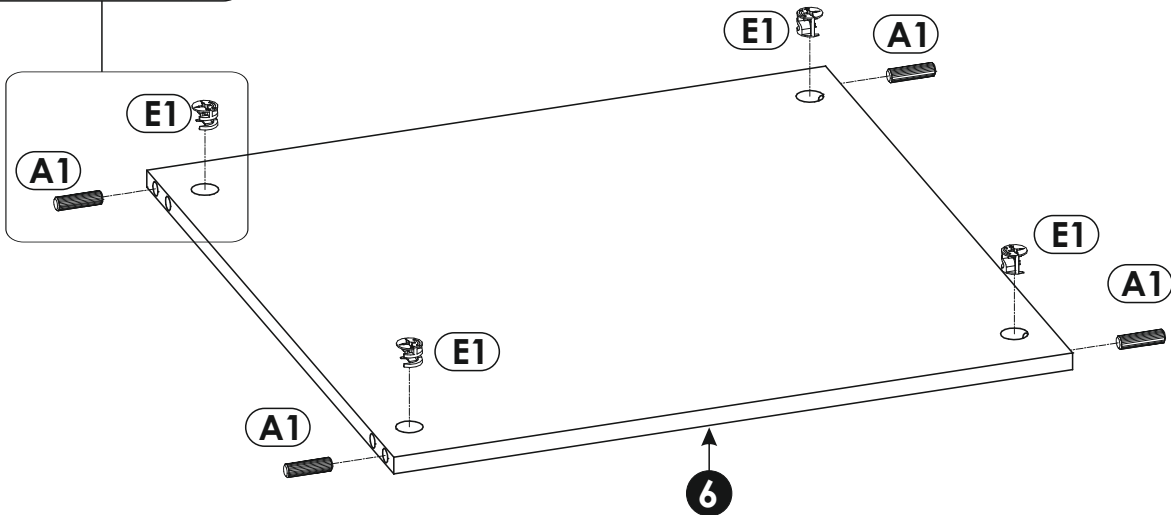
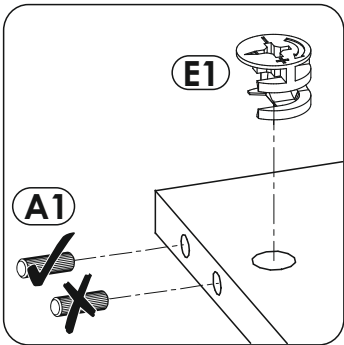
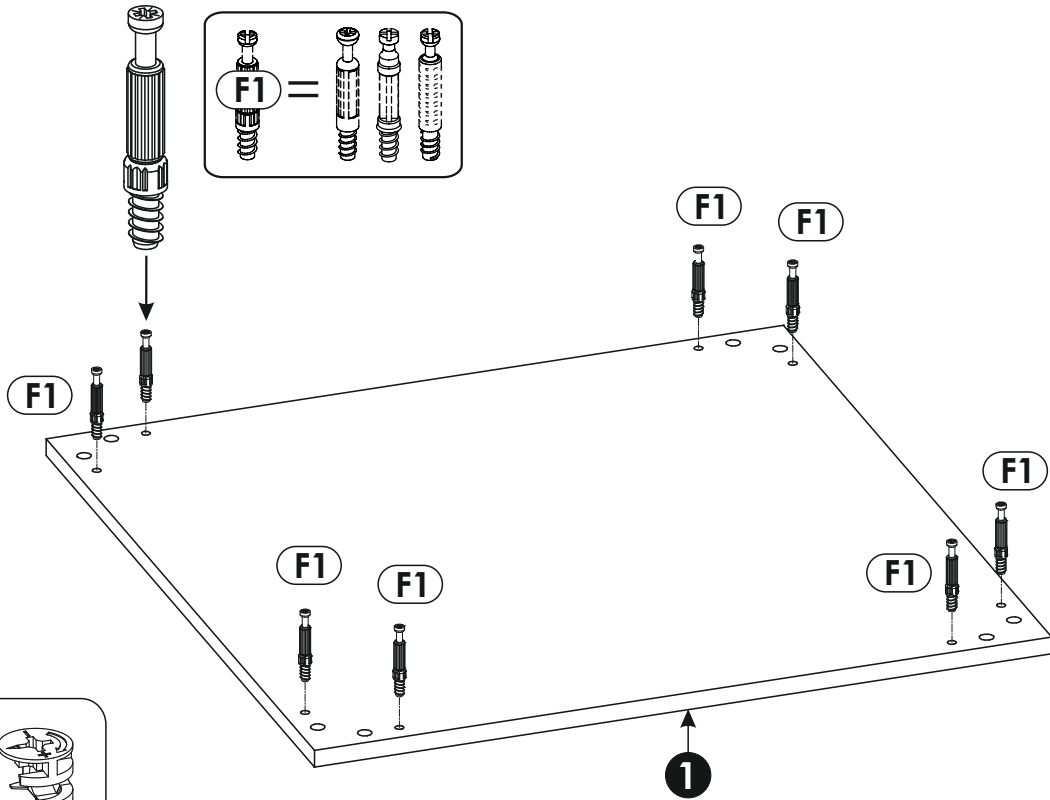


1	680	680	16	x1	1/1
2	420	84	16	x2	1/1
3	420	100	16	x2	1/1
4	420	84	16	x2	1/1
5	420	100	16	x2	1/1
6	642	642	16	x1	1/1

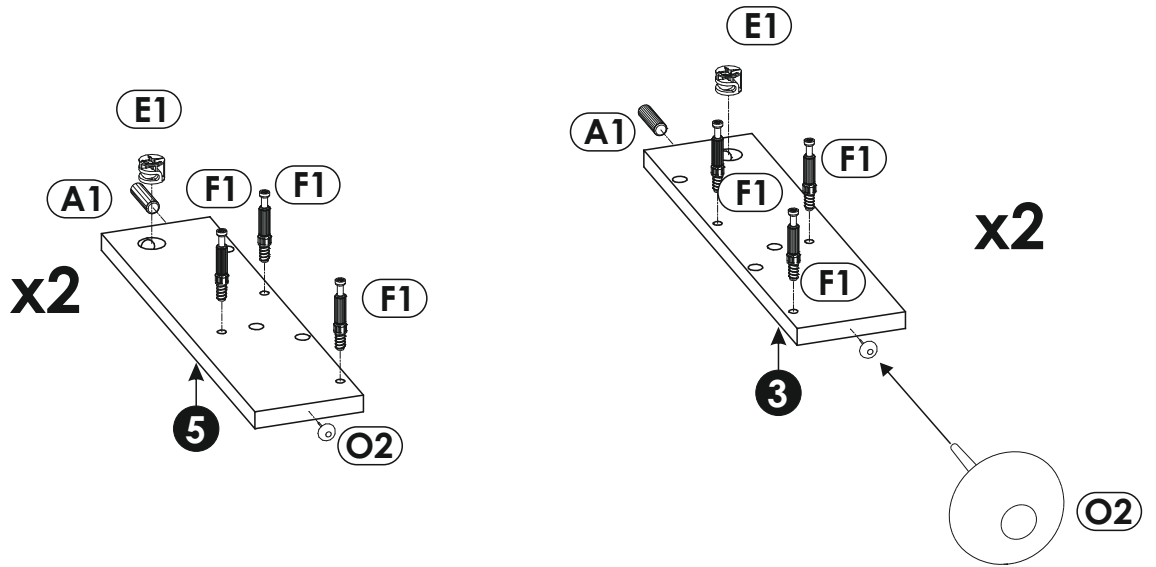




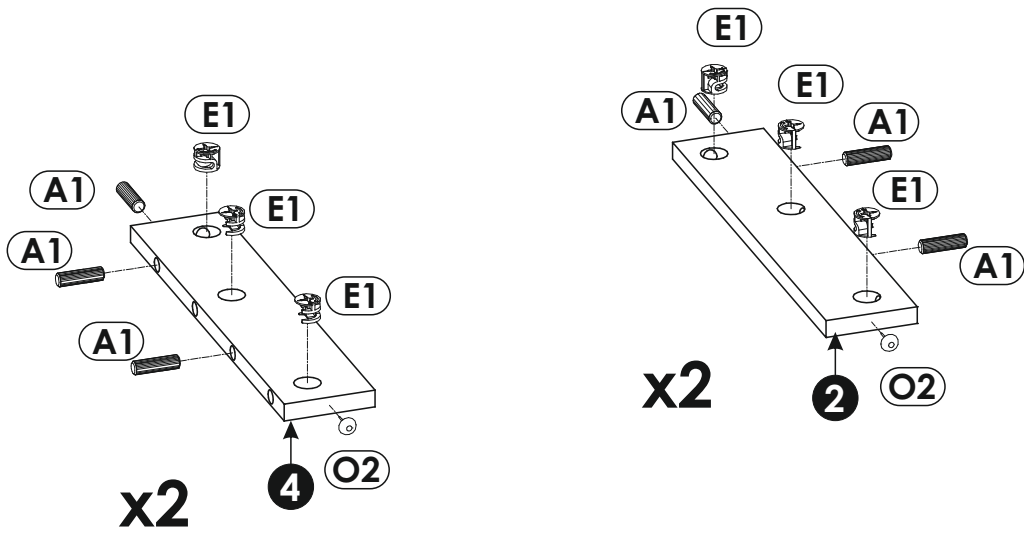
1 ▶



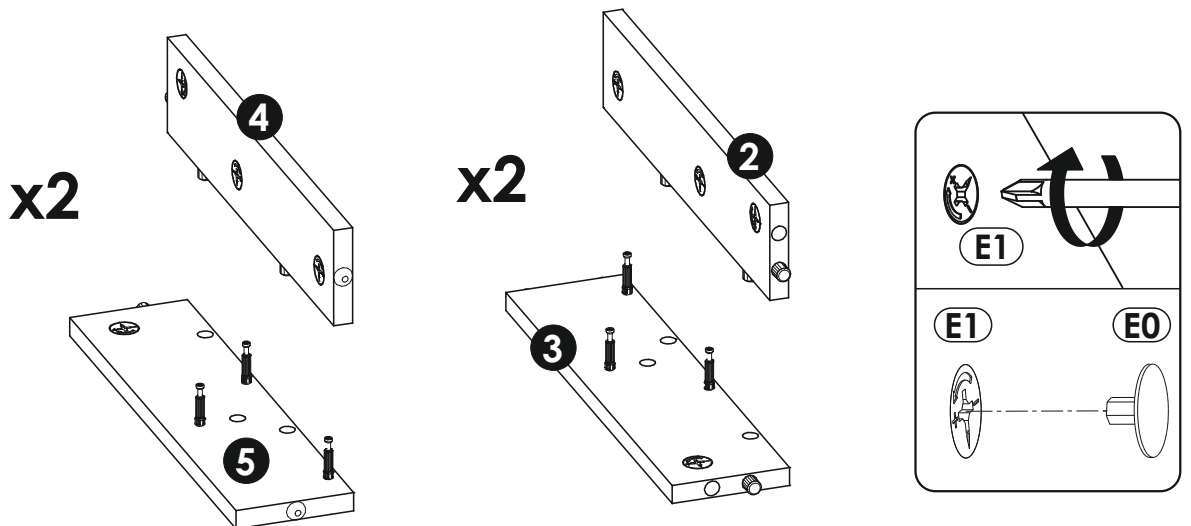
2▶



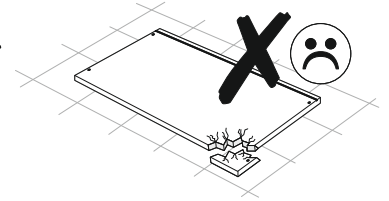
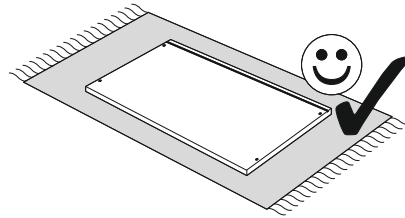
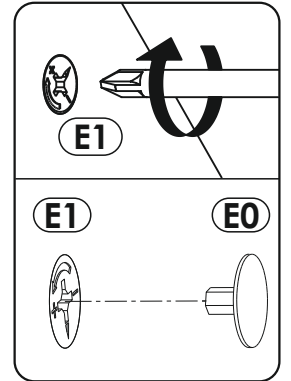
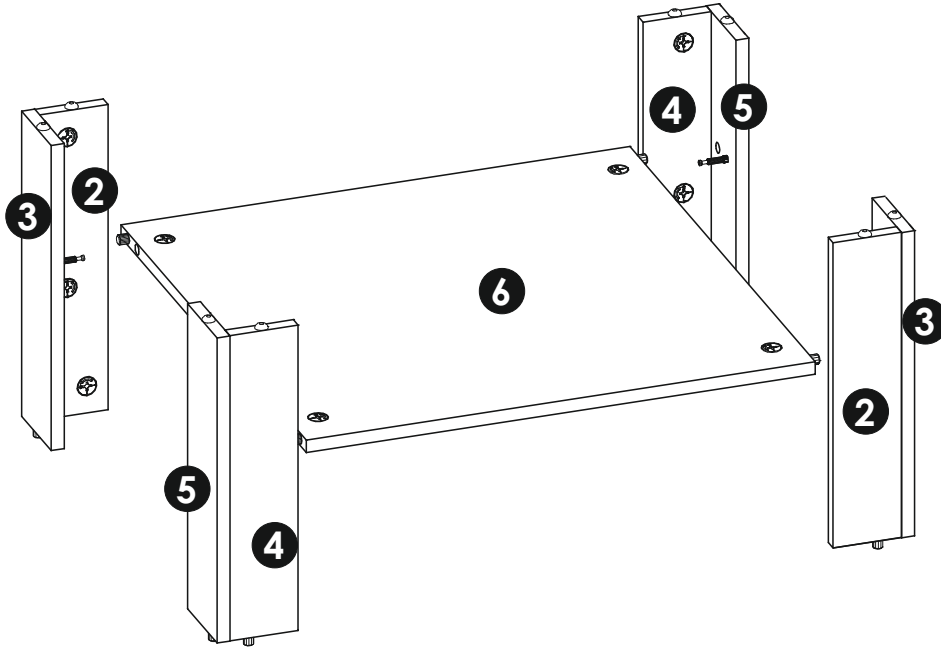
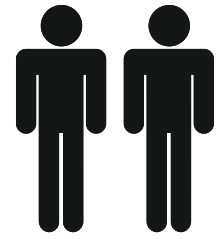
3▶



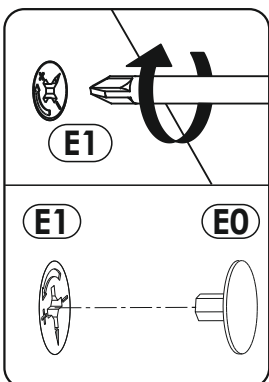
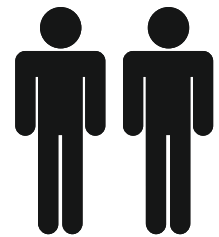
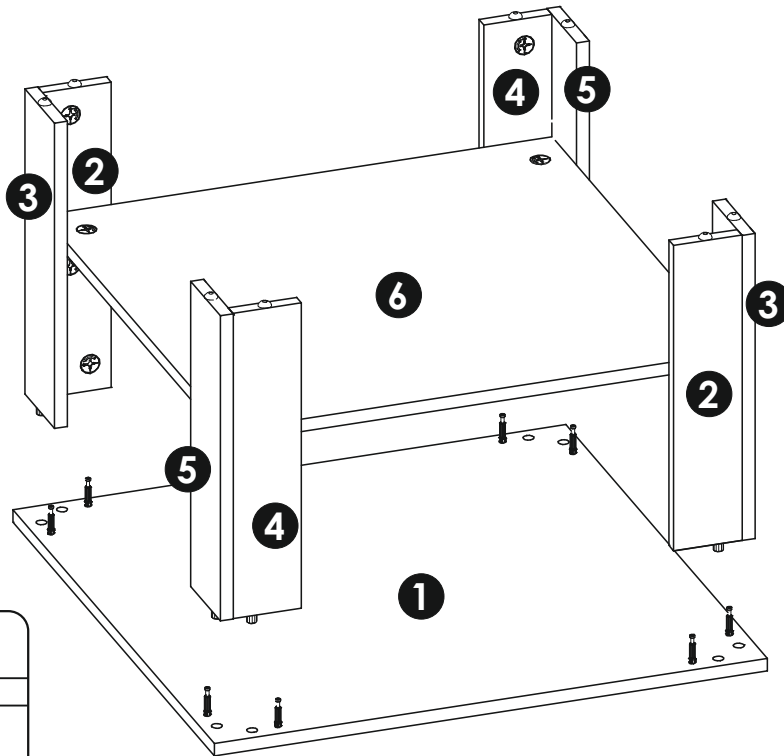
4▶

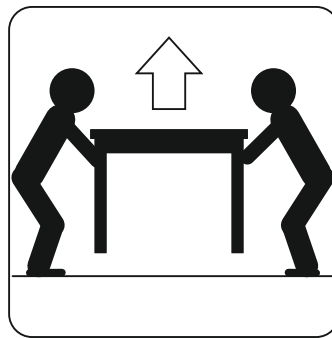
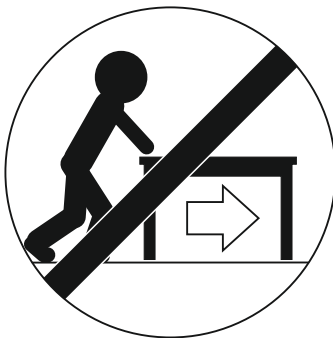
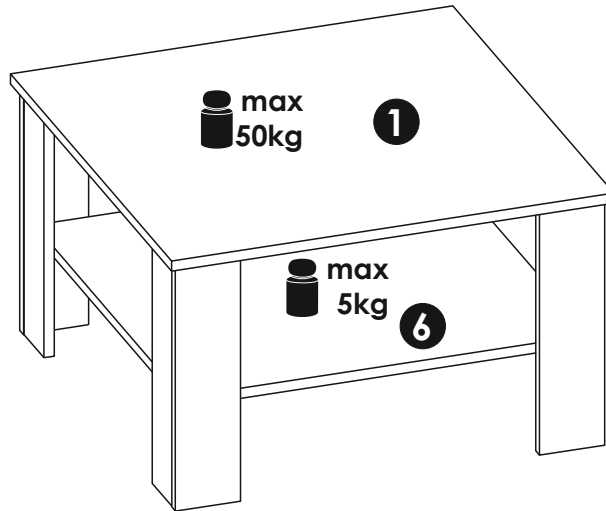
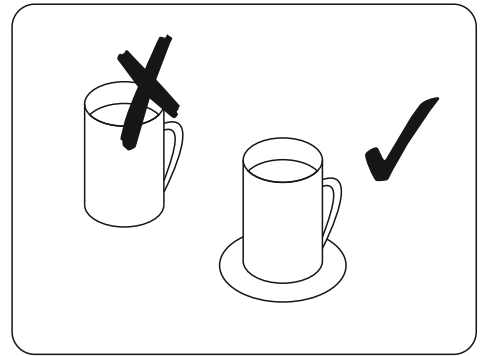


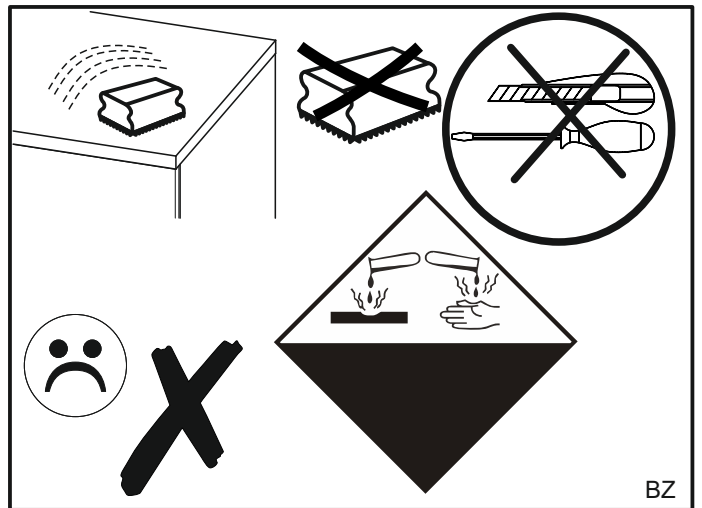
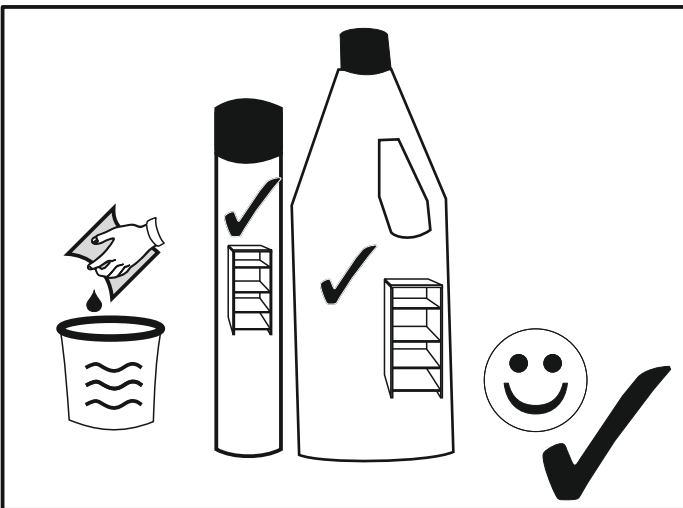
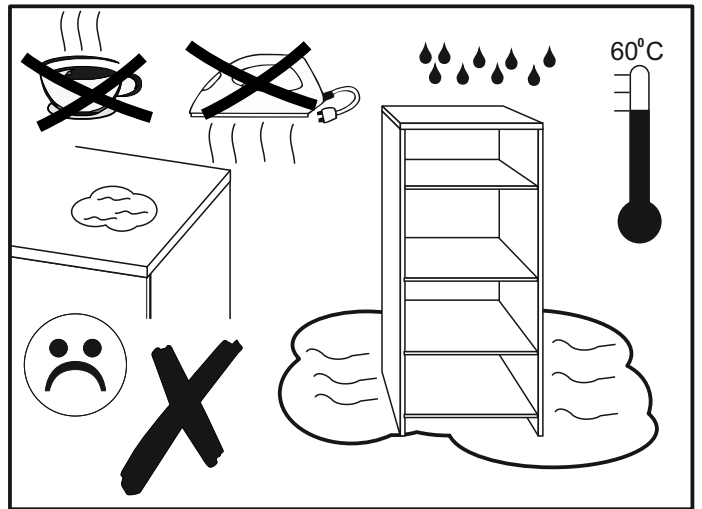
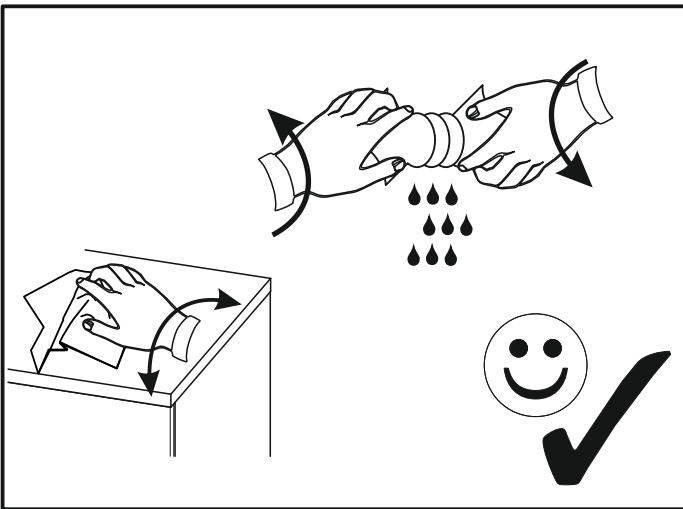
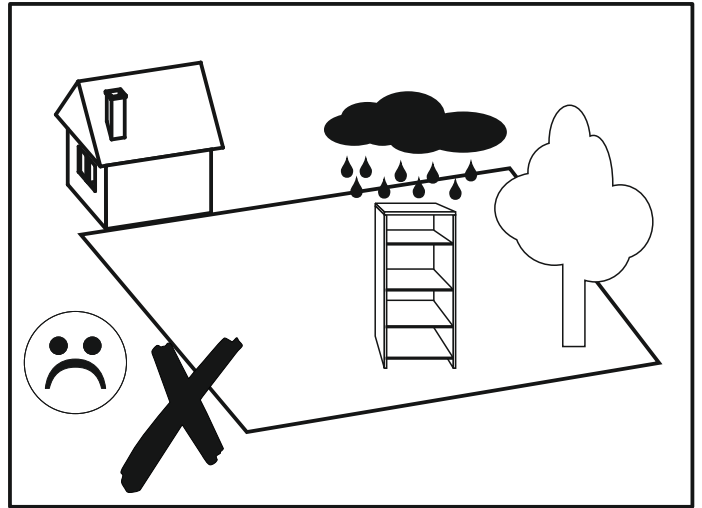
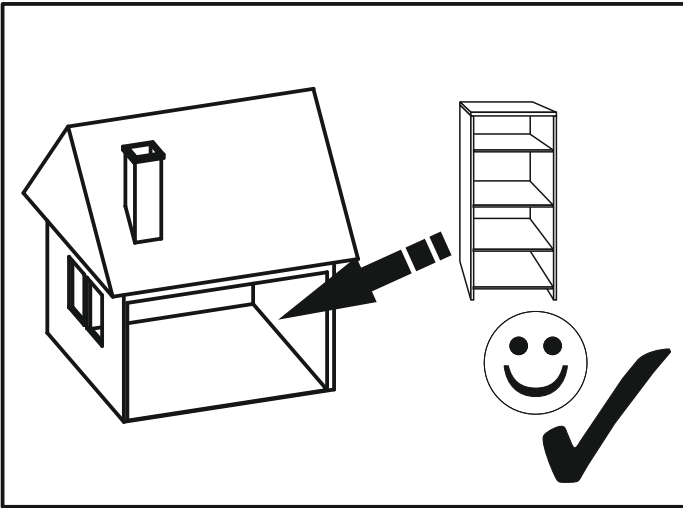
5 ▶



6 ▶







BZ