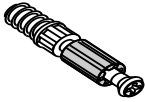
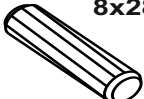




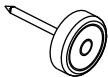


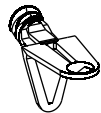

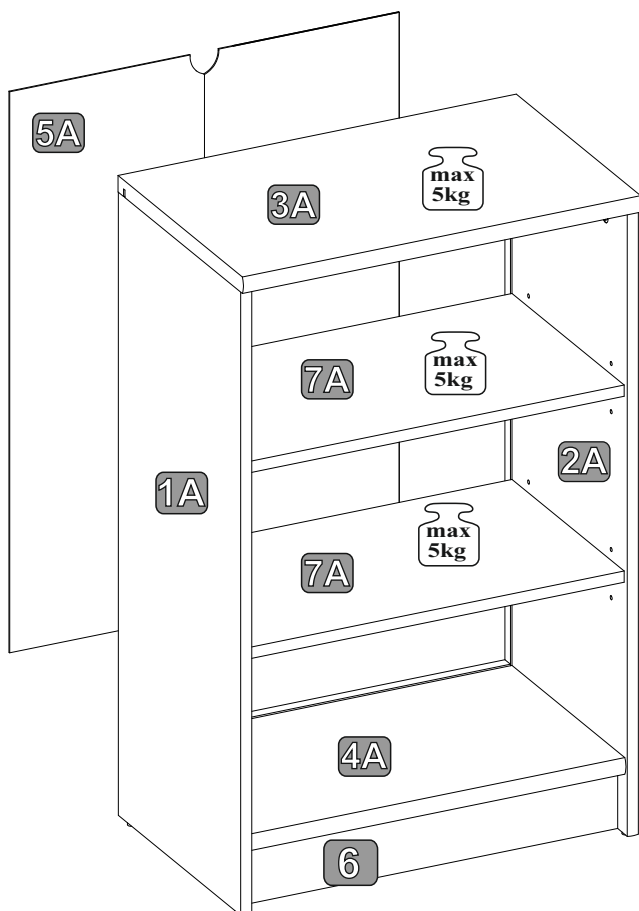
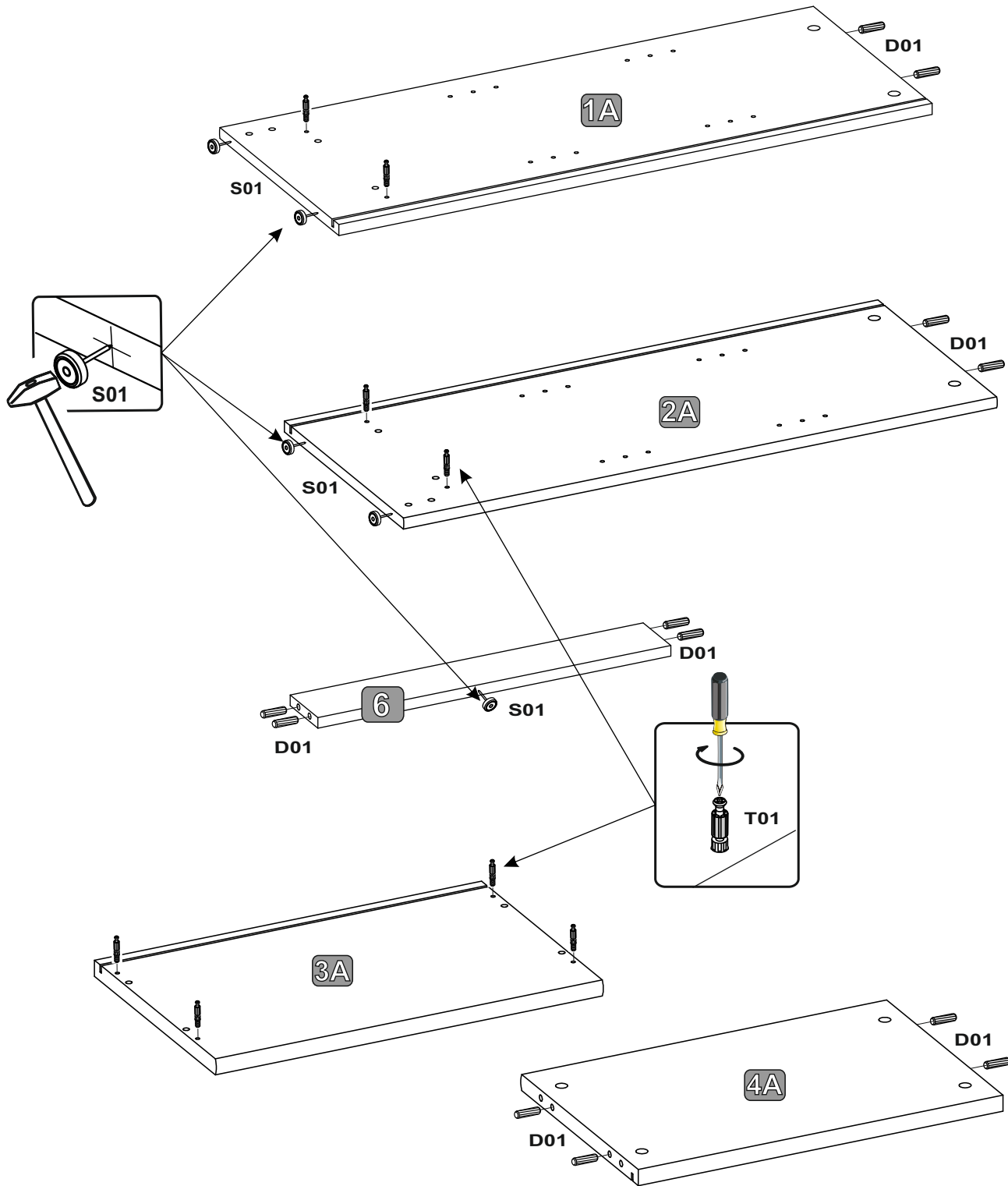
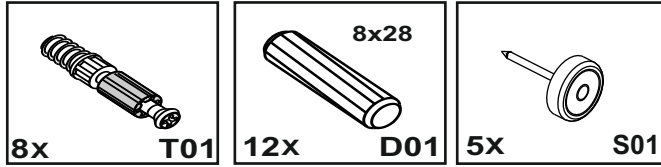
 8x T02	 8x T01	 8x28 D01	 1x F01	 1x F11	 10x R01
 6x E01	 5x S01	 1 x P01	 2x W07	 2x E08	 3x13 2x W02



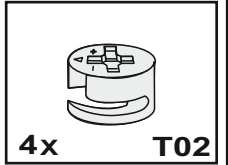
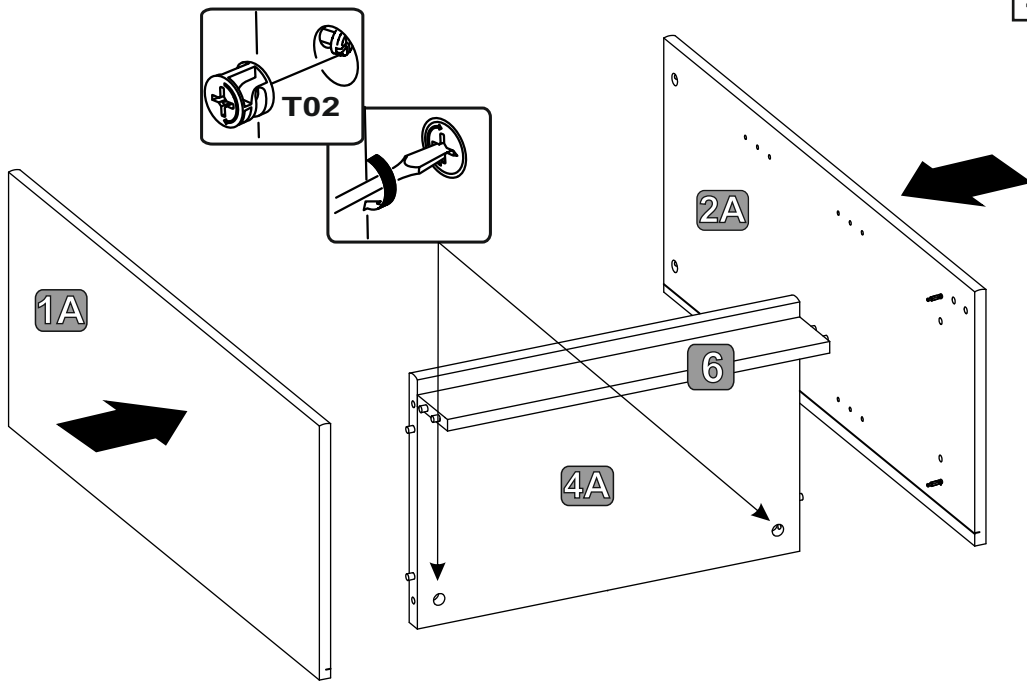
Č.	Rozmer	Ks	COLLI
1A	828x333x15	1	1/1
2A	828x333x15	1	1/1
3A	540x340x22	1	1/1
4A	509x328x22	1	1/1
5A	745x528x2	1	1/1
6	509x80x15	1	1/1
7A	509x304x15	2	1/1



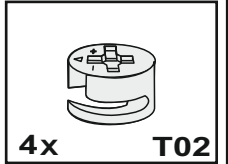
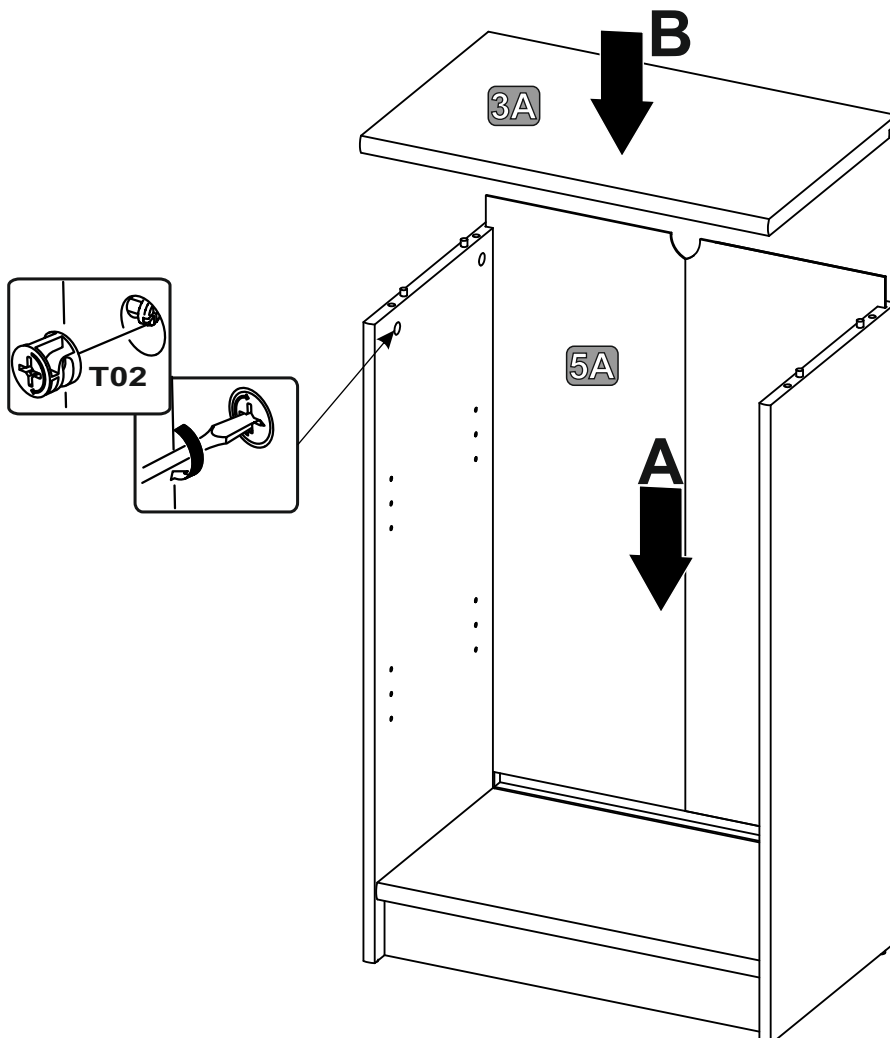
1



2

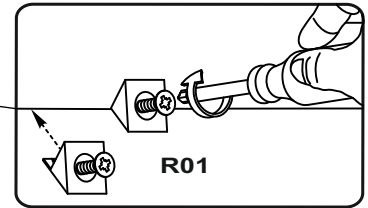
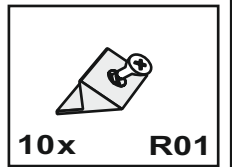
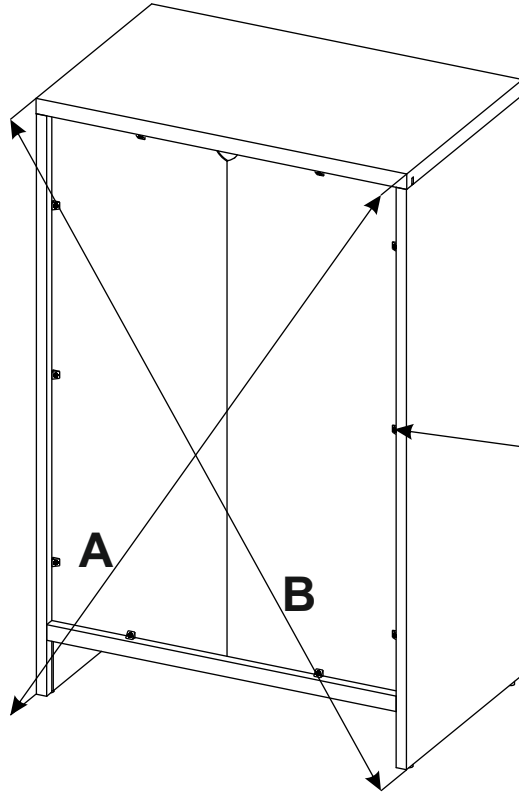


3

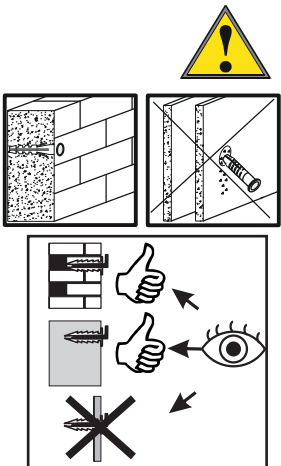
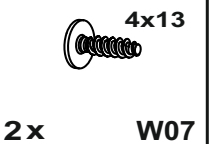
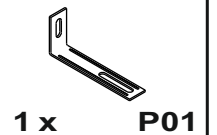
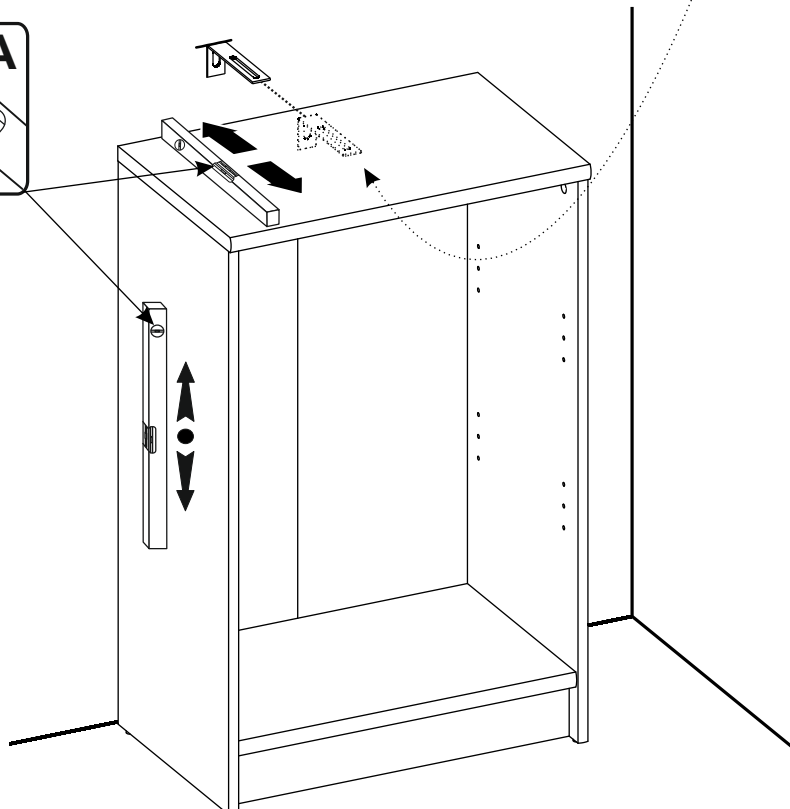
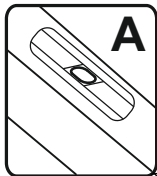
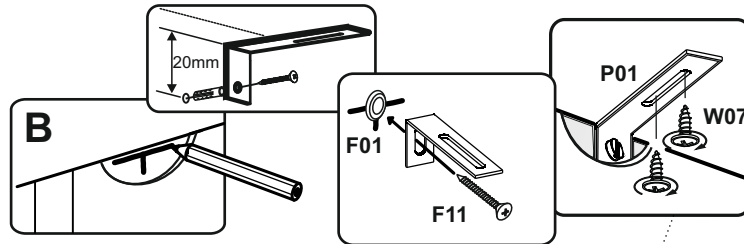


4

A=B

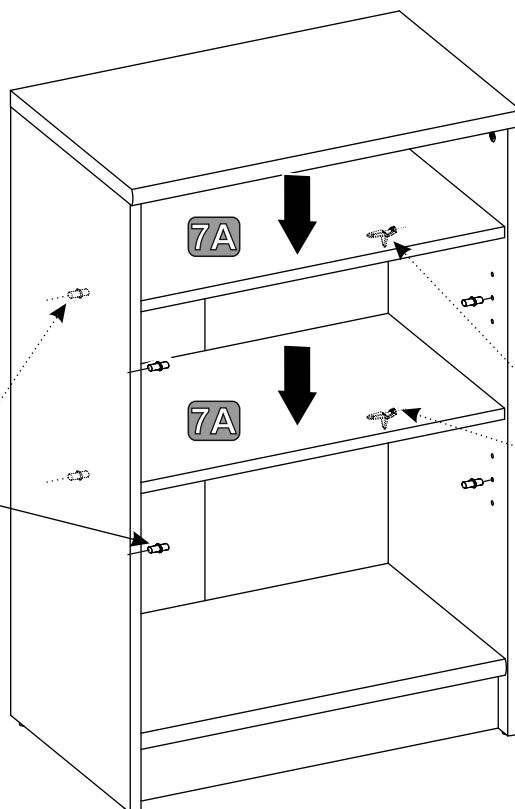
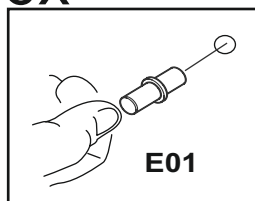


5

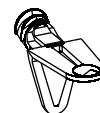


6

6x



2x



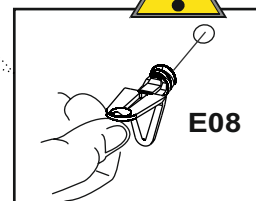
E08

6x



E01

2x



7

3x13



2x

W02

