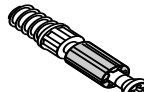
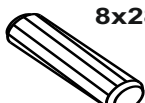





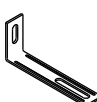

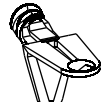

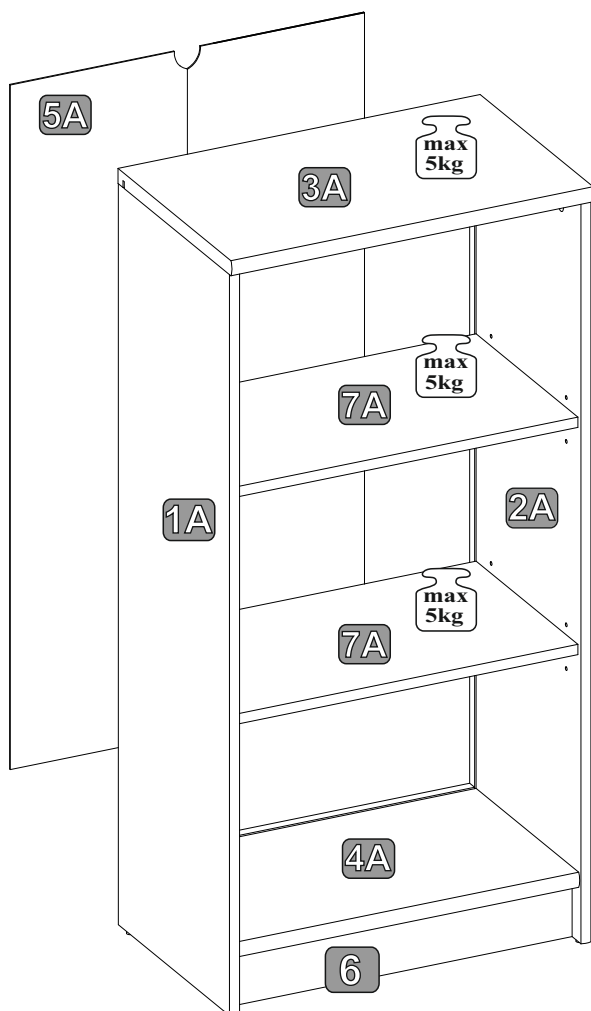
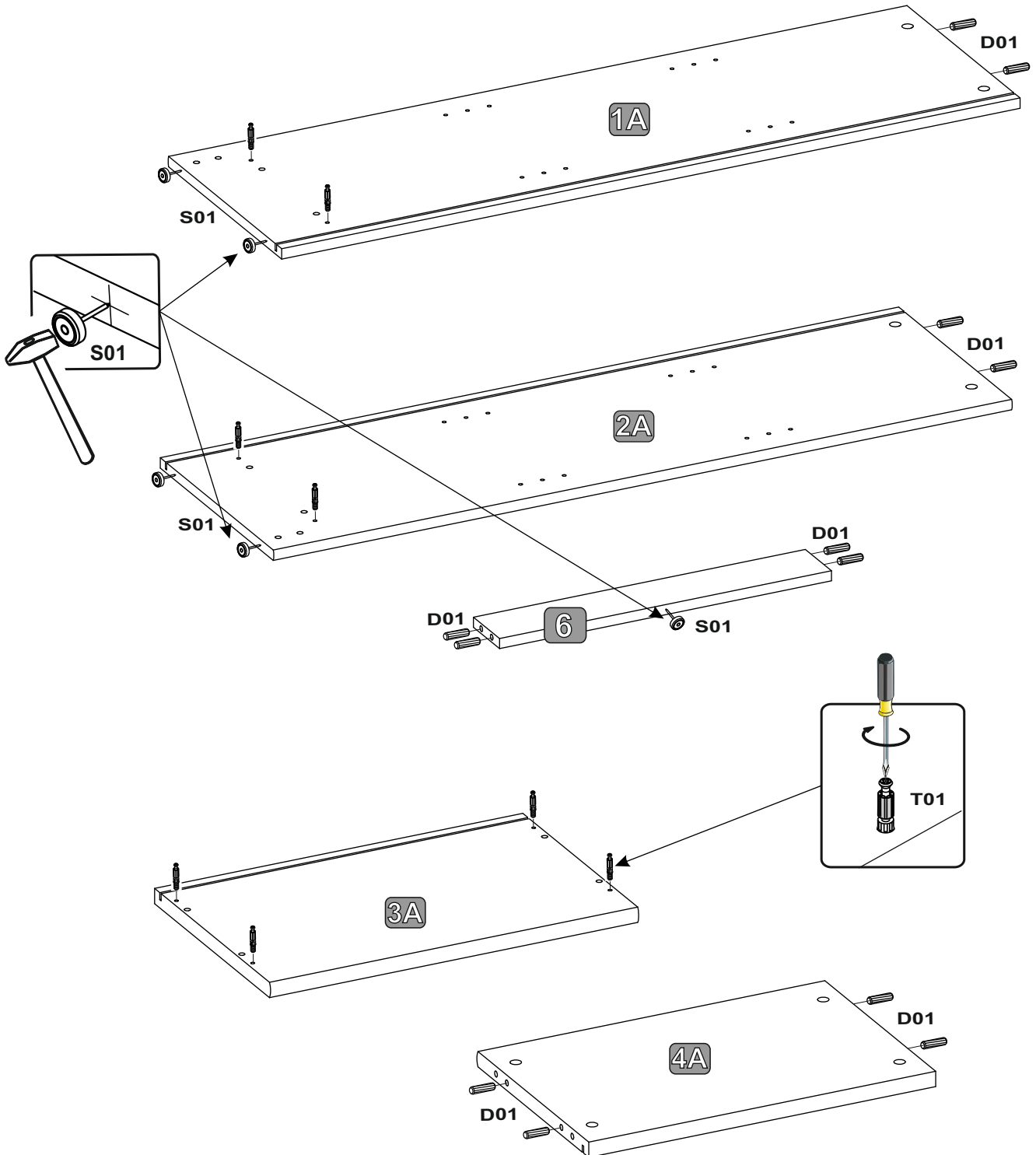
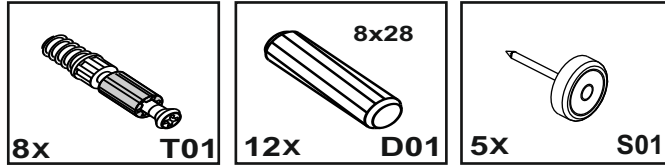
 8x T02	 8x T01	 12x D01 8x28	 1x F01	 1x F11	 12x R01
 6x E01	 5x S01	 1 x P01	 2x W07 4x13	 2x E08	 2x W02 3x13



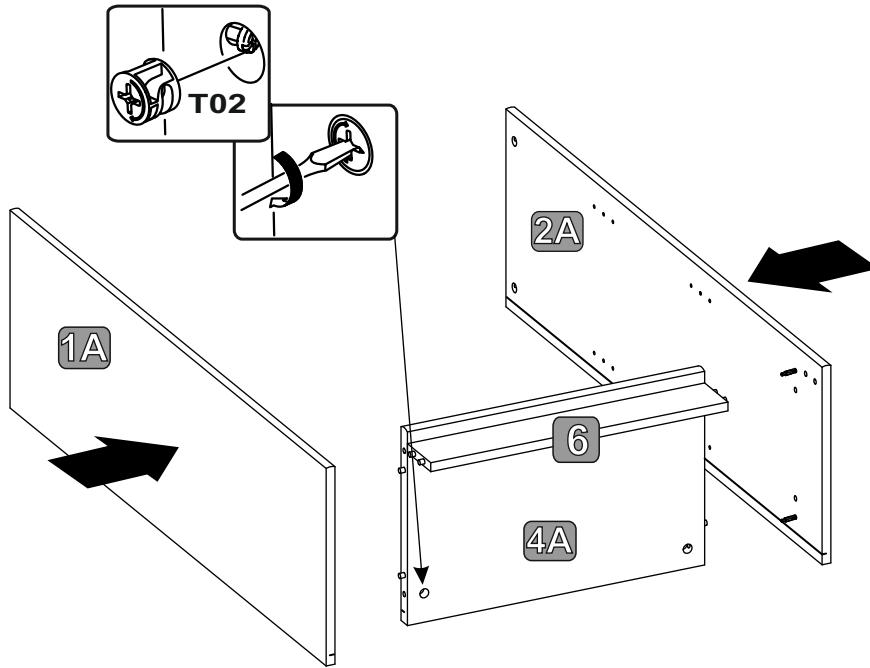
Č.	Rozmer	Ks	COLLI
1A	1083x333x15	1	1/1
2A	1083x333x15	1	1/1
3A	540x340x22	1	1/1
4A	509x328x22	1	1/1
5A	1000x528x2	1	1/1
6	509x80x15	1	1/1
7A	509x304x15	2	1/1



1

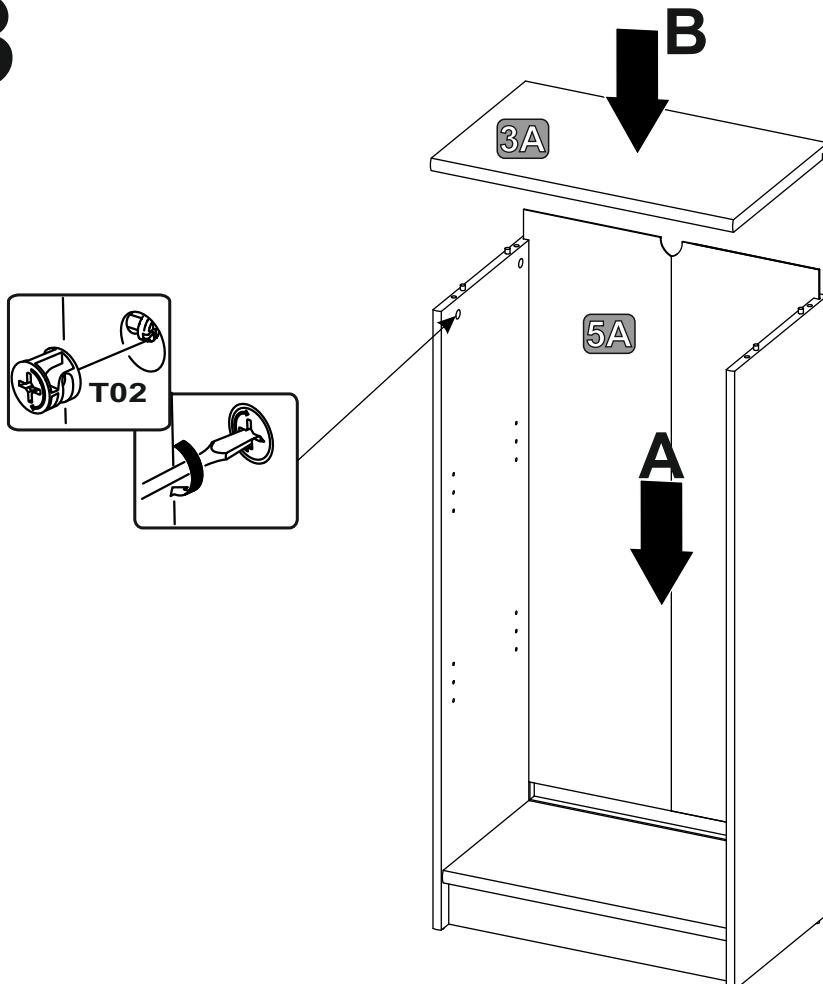


2



4x T02

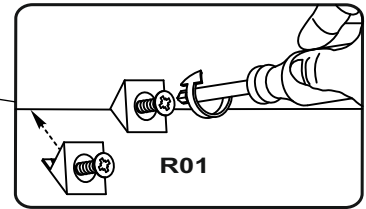
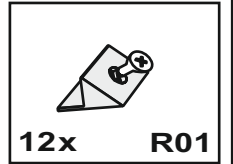
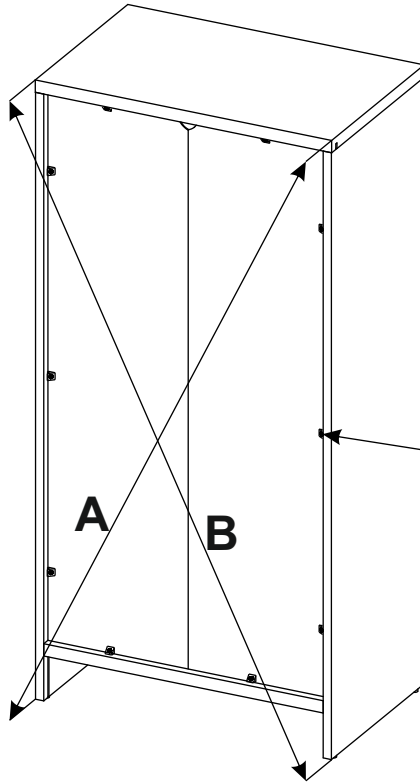
3



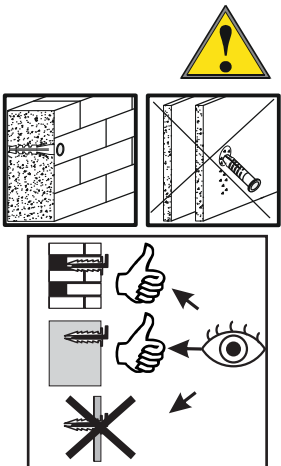
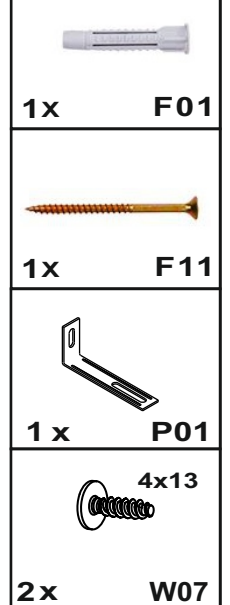
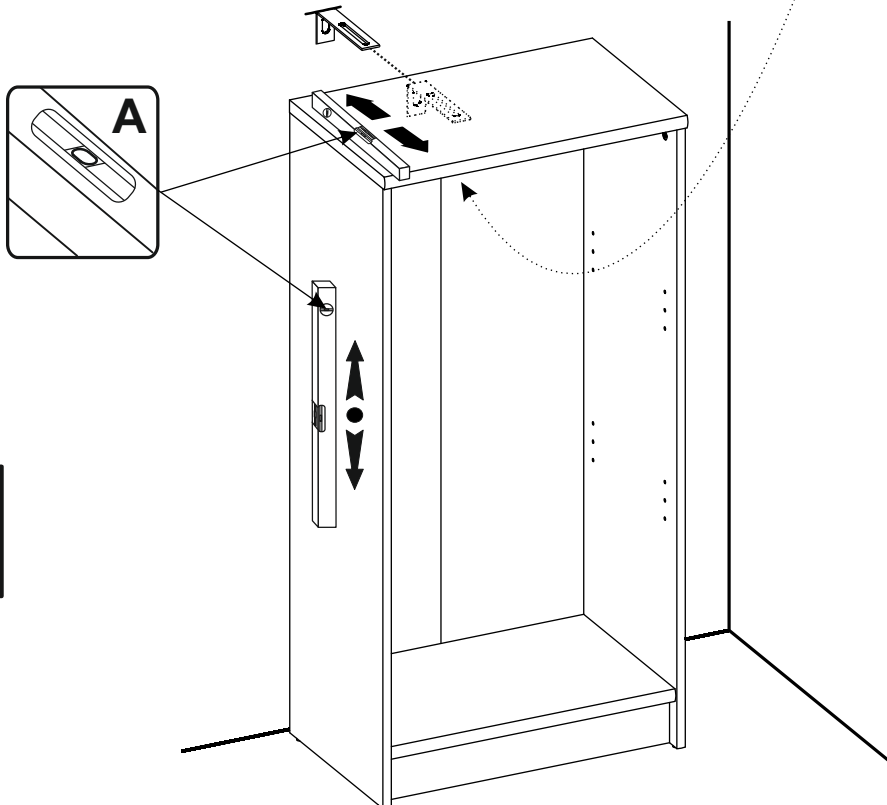
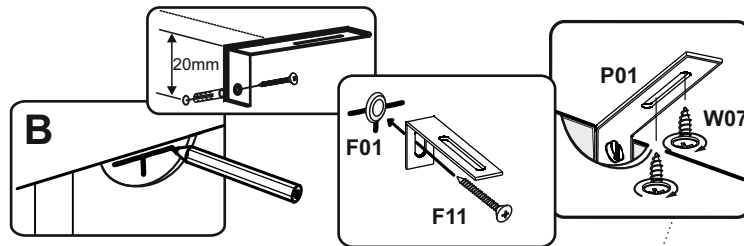
4x T02

4

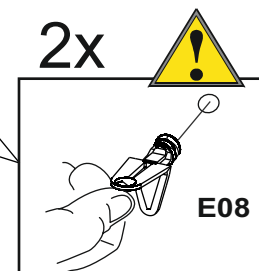
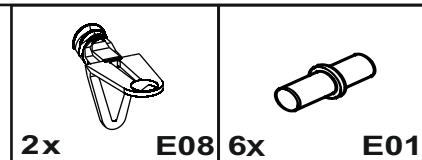
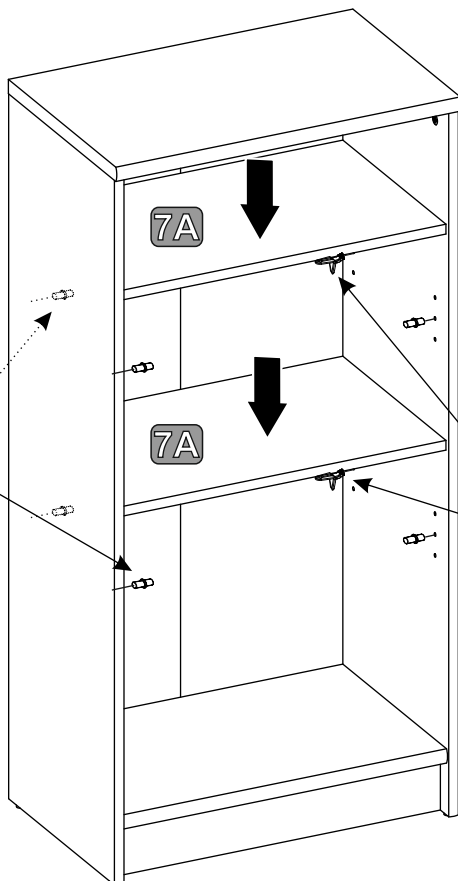
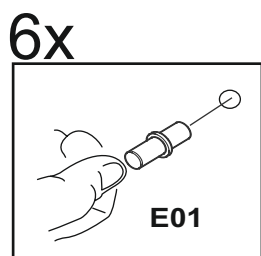
A=B



5



6



7

