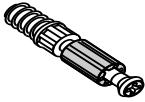
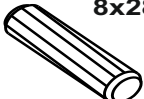




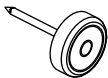
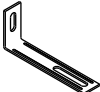

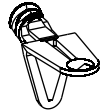

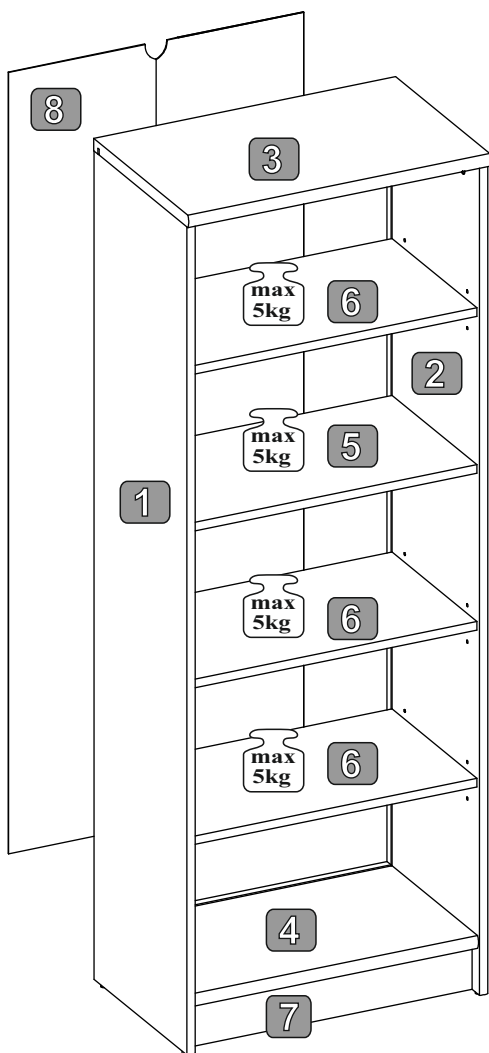
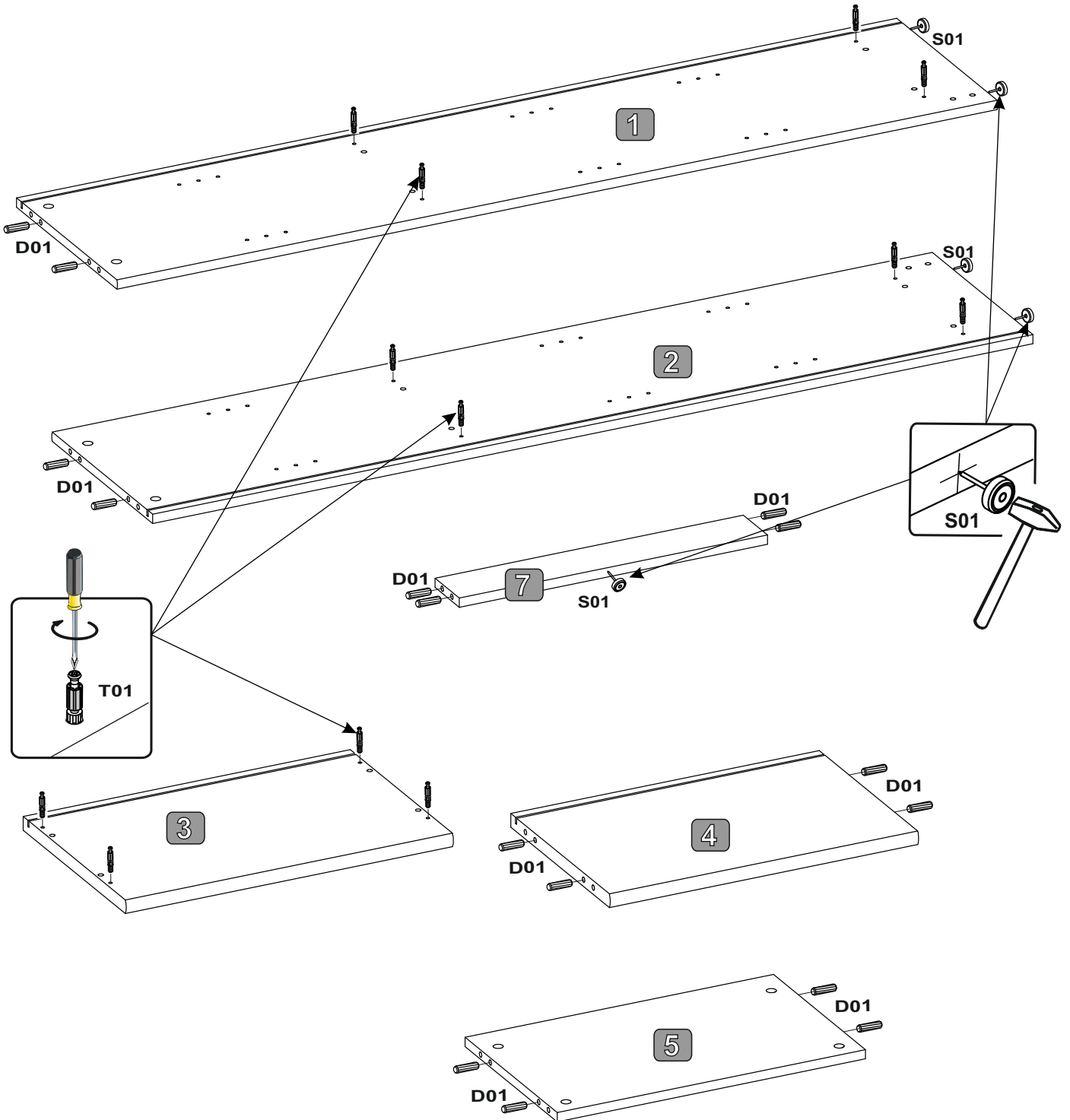
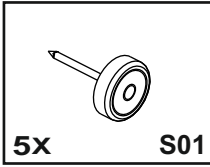
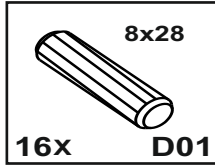
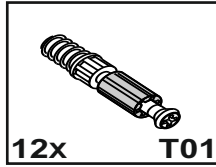
 12x T02	 12x T01	 8x28 16x D01	 1x F01	 1x F11	 12x R01
 9x E01	 5x S01	 1 x P01	 4x13 2x W07	 3x E08	 3x13 3x W02



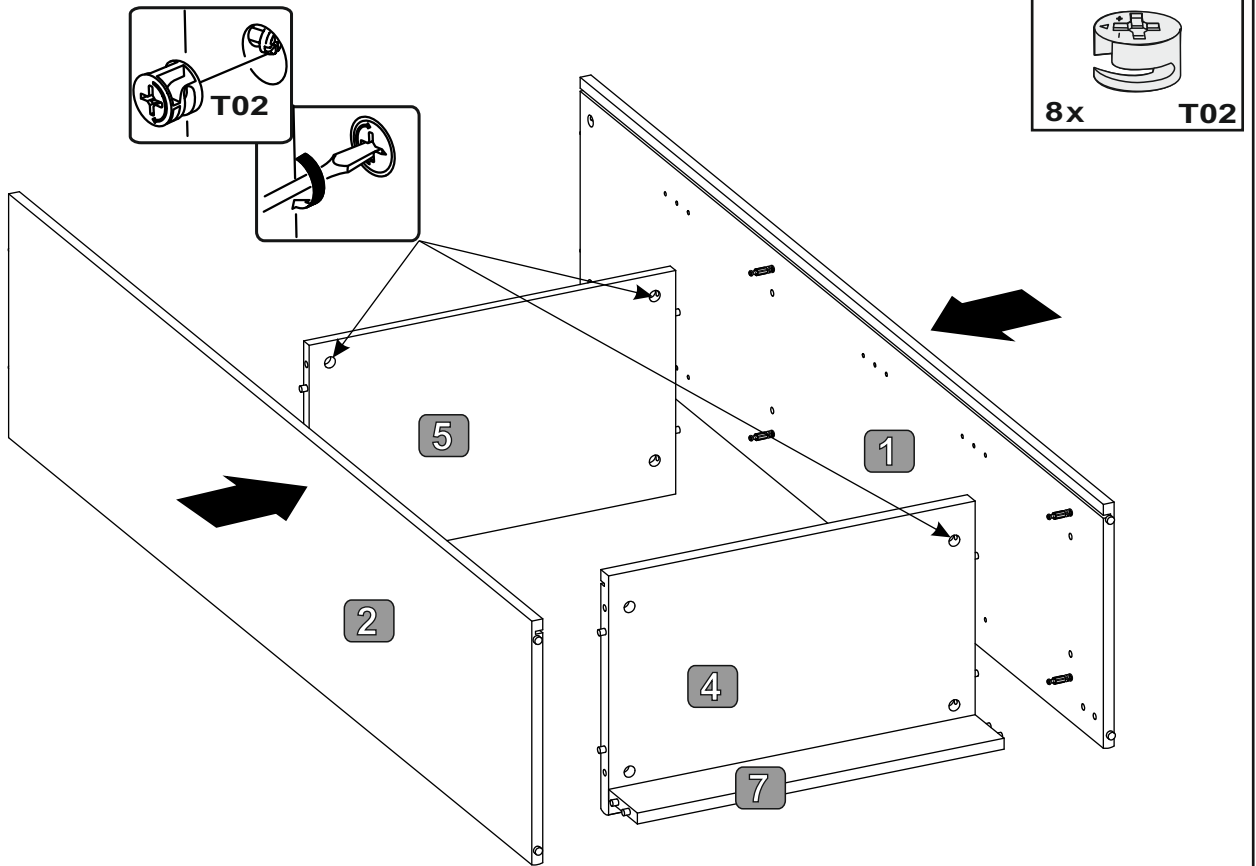
Č.	Rozmer	Ks	COLLI
1	1453x333x15	1	1/1
2	1453x333x15	1	1/1
3	540x340x22	1	1/1
4	509x328x22	1	1/1
5	509x304x15	1	1/1
6	509x304x15	3	1/1
7	509x80x15	1	1/1
8	1370x528x2	1	1/1



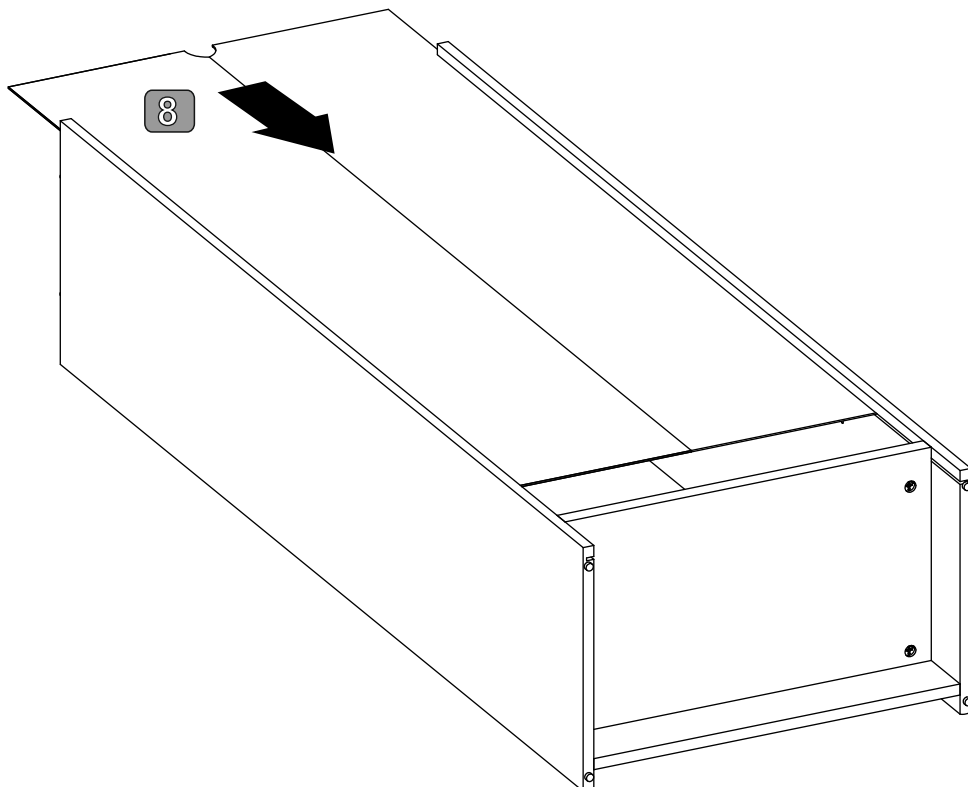
1



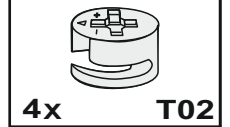
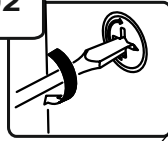
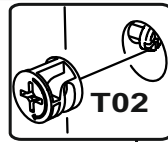
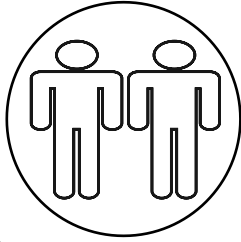
2



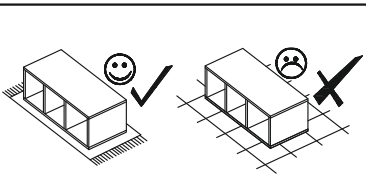
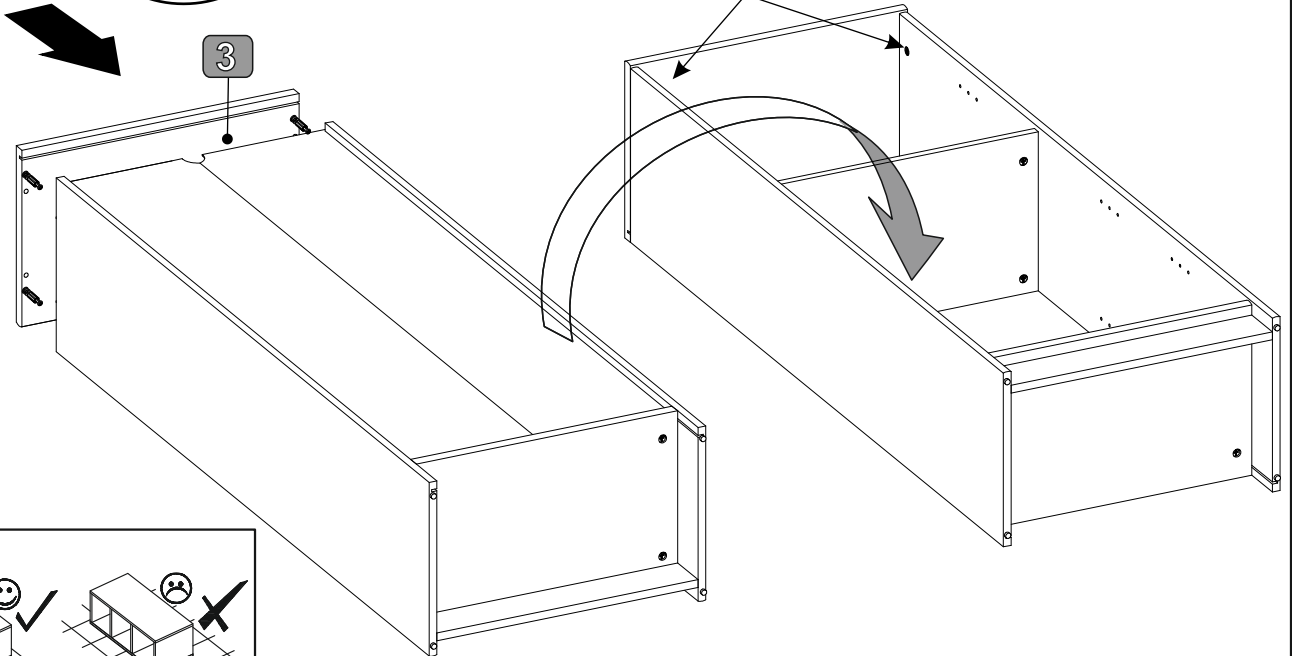
3



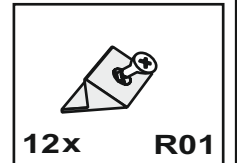
4



4x T02

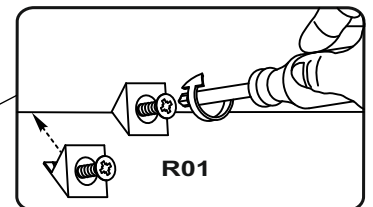
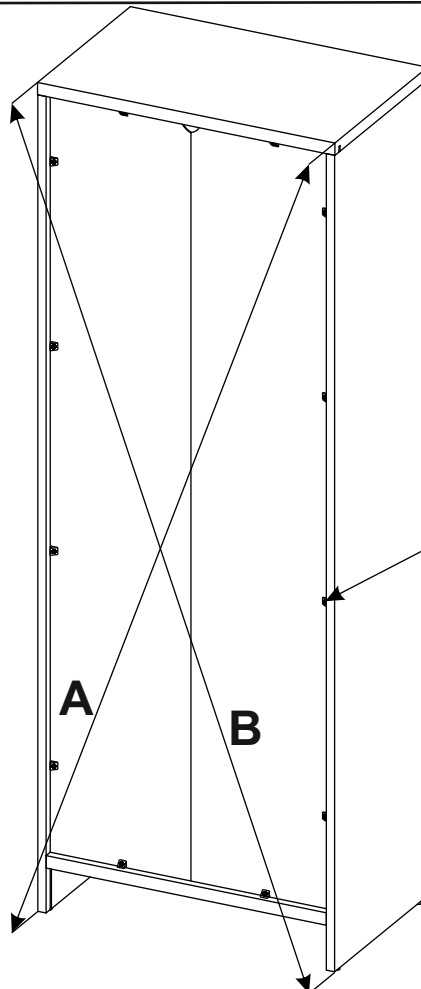


5



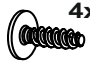



12x R01

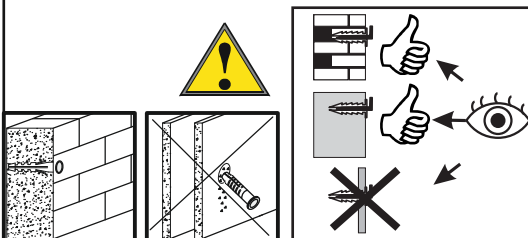
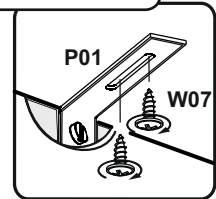
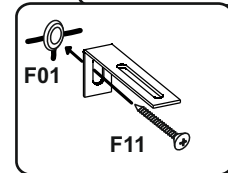
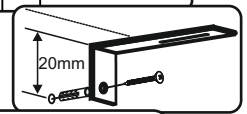
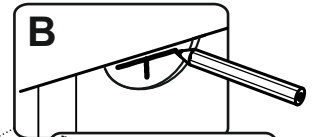
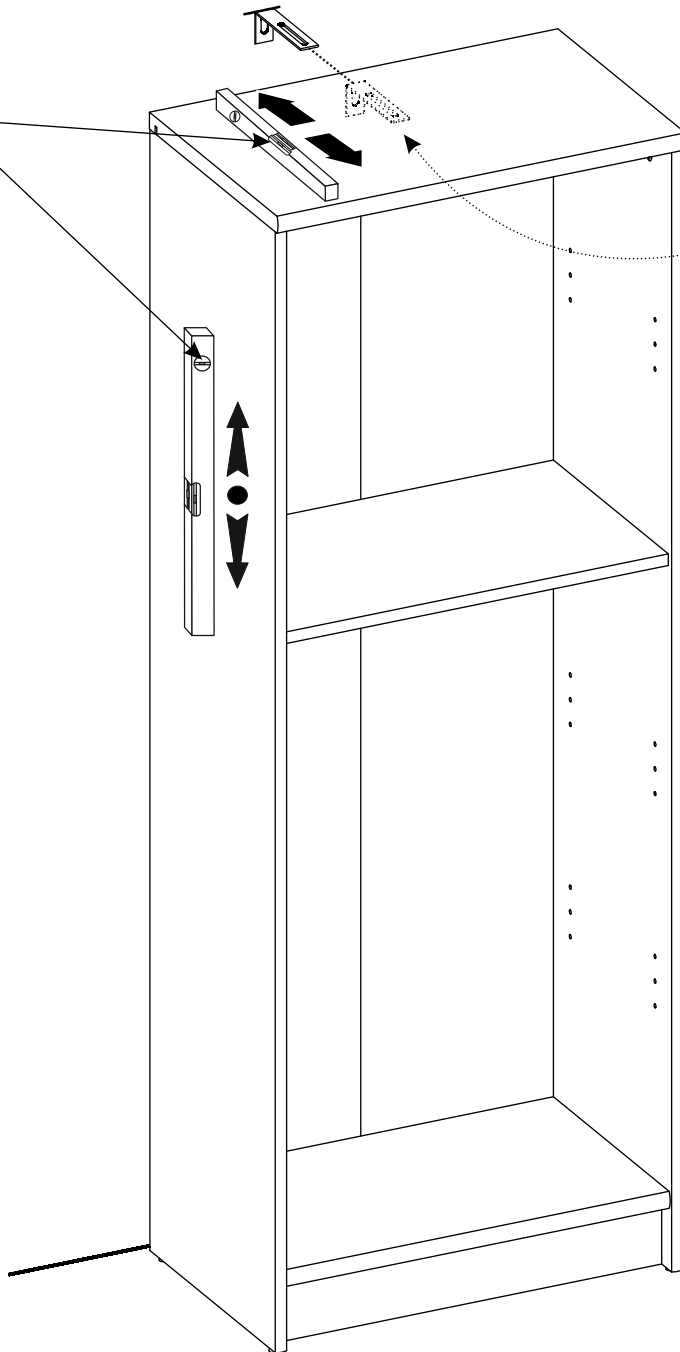
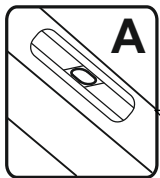
A=B



R01

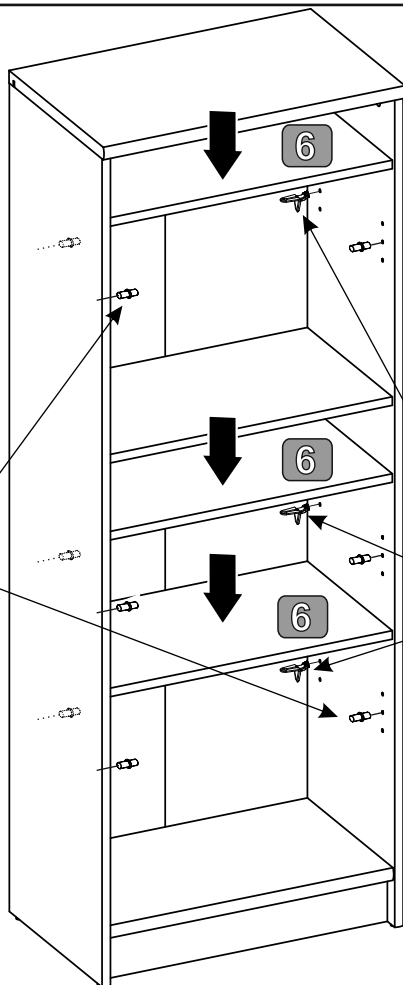
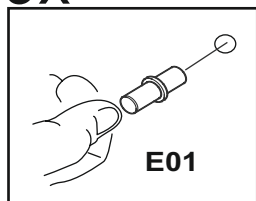
6

 4x13	 P01	 F11	 F01
2x W07	1x	1x	1x

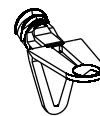


7

9x



3x

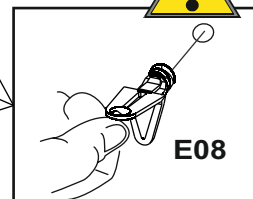


E08 9x

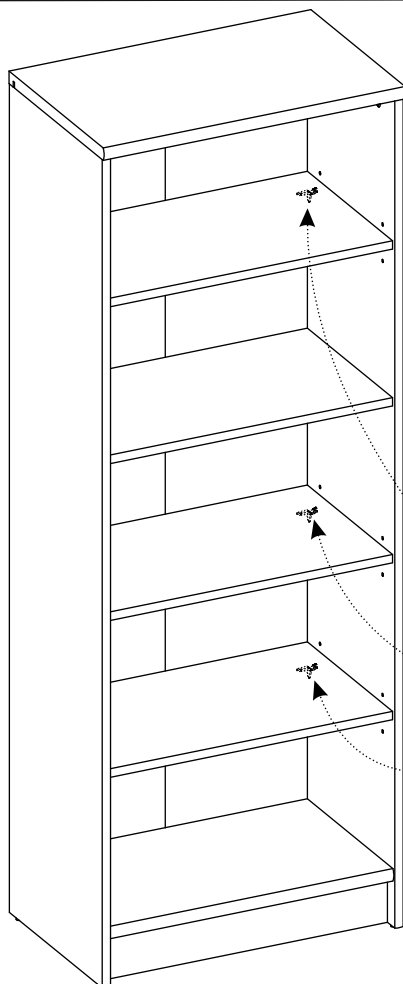


E01

3x



8

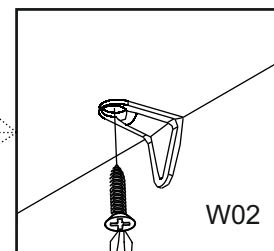


3x13



3x

W02



W02

