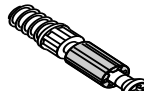
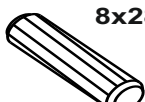







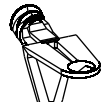

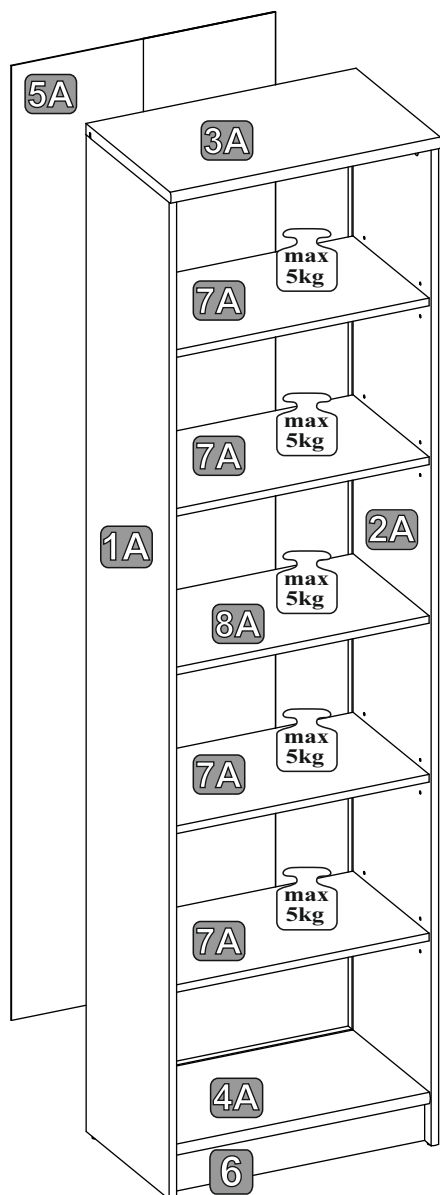
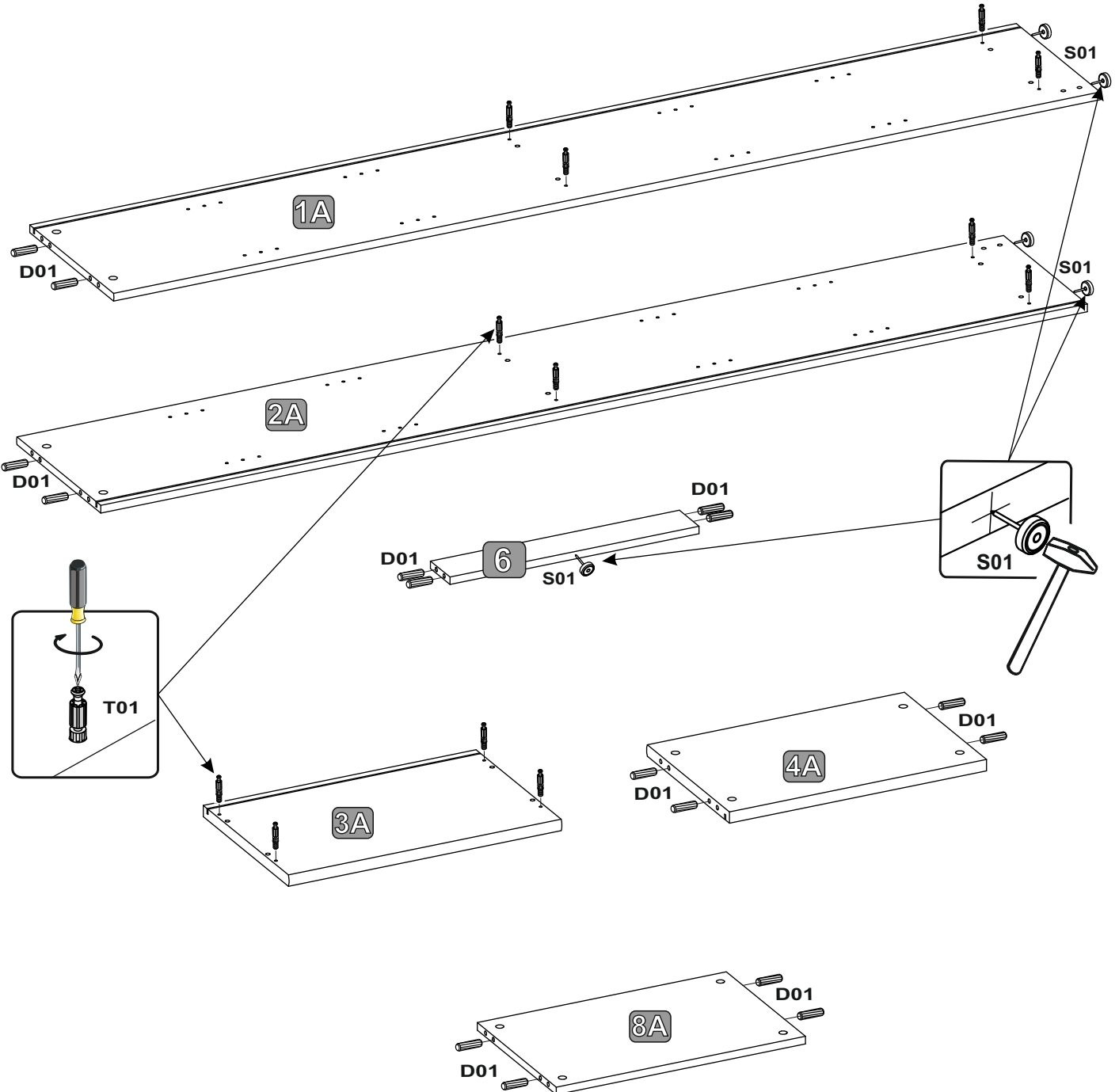
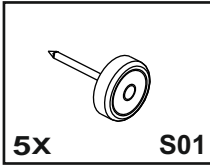
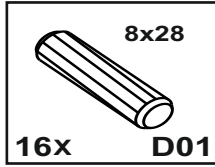
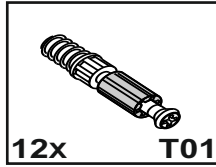
 12x T02	 12x T01	 8x28 16x D01	 1x F01	 1x F11	 18x R01
 12x E01	 5x S01	 1 x P01	 4x13 2x W07	 4x E08	 3x13 4x W02



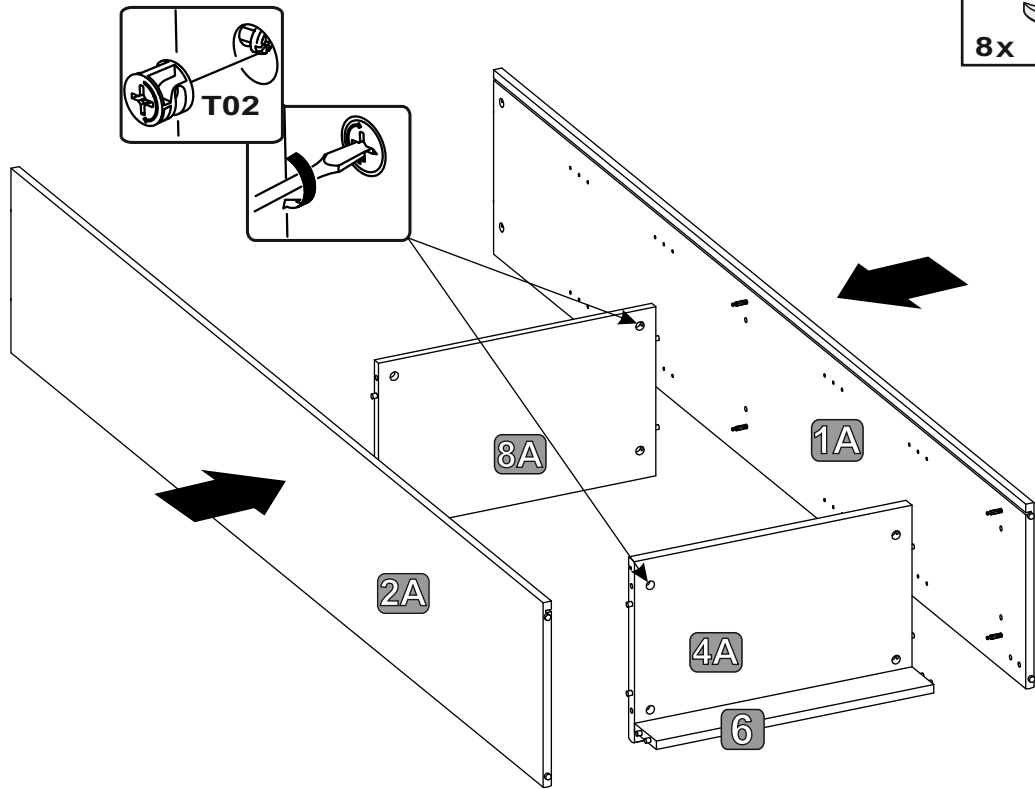
Č.	Rozmer	Ks	COLLI
1A	1953x333x15	1	1/1
2A	1953x333x15	1	1/1
3A	540x340x22	1	1/1
4A	509x328x22	1	1/1
5A	1870x528x2	1	1/1
6	509x80x15	1	1/1
7A	509x304x15	4	1/1
8A	509x304x22	1	1/1



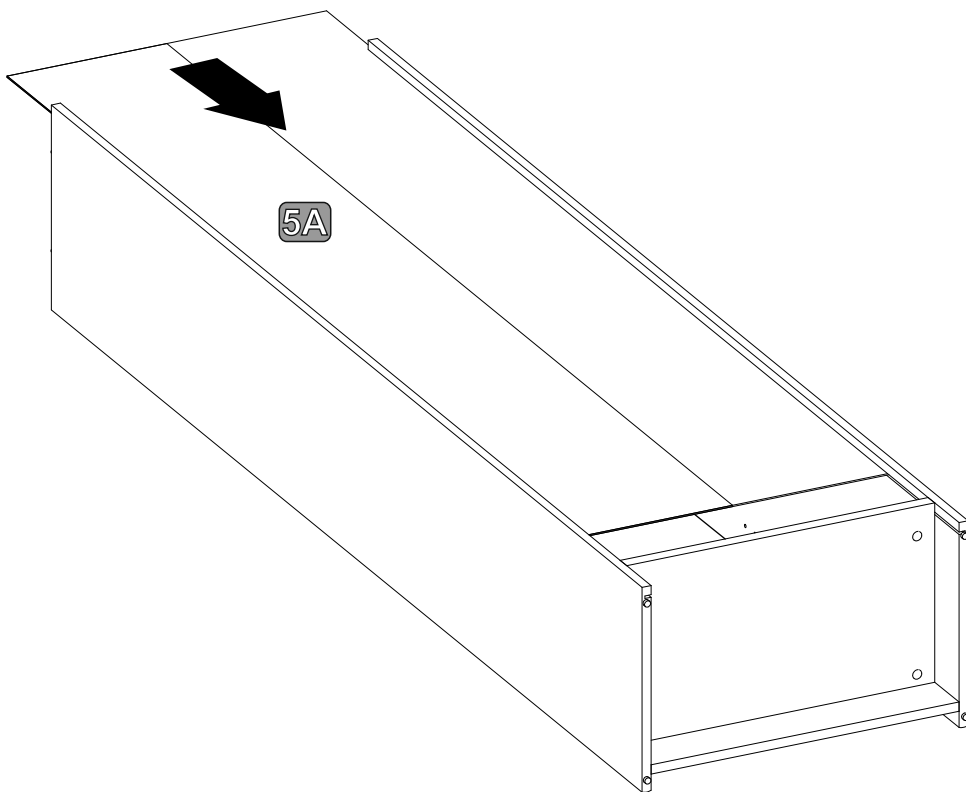
1



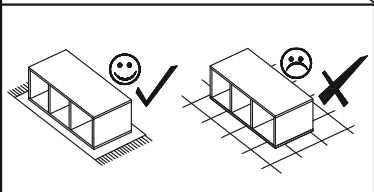
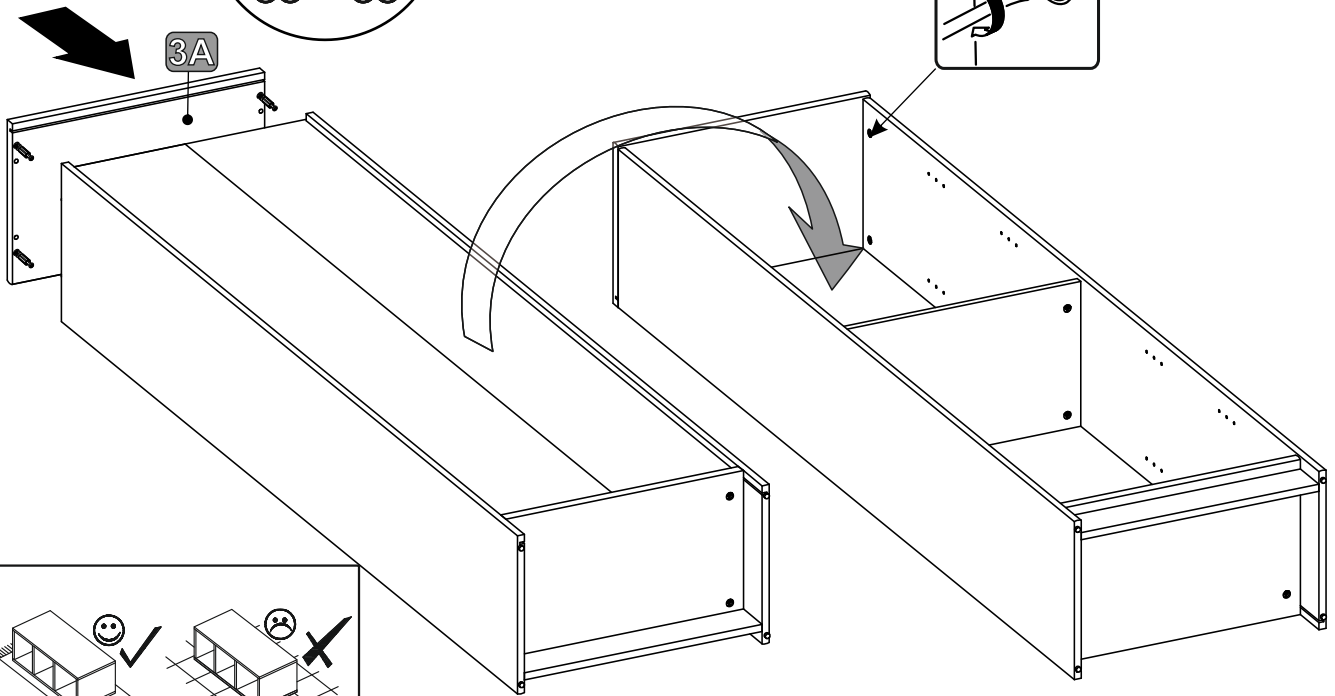
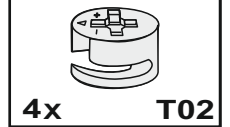
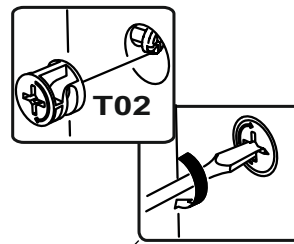
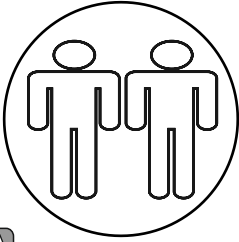
2



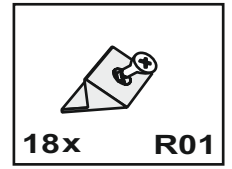
3



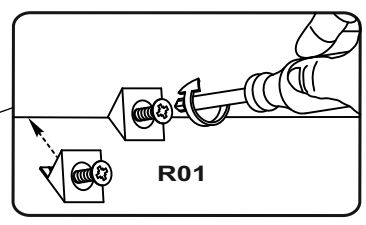
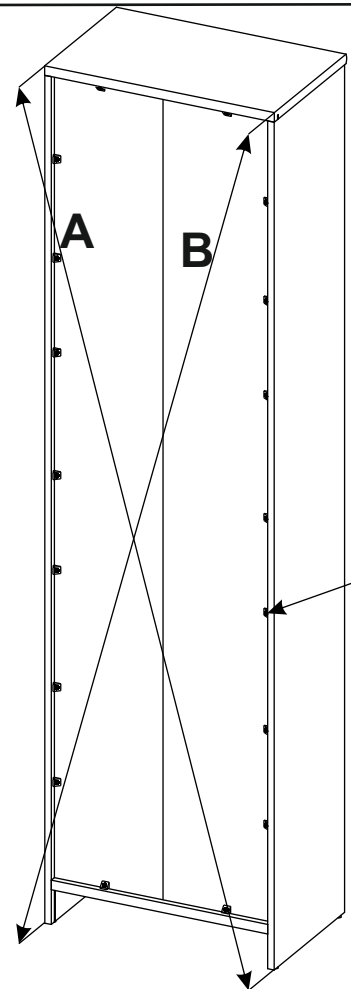
4



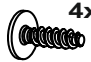



5

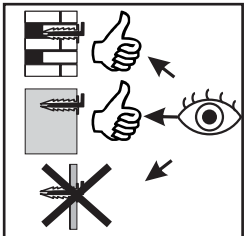
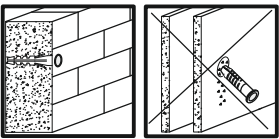
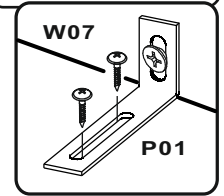
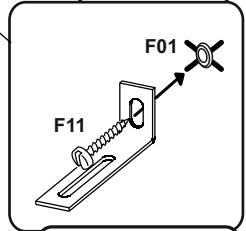
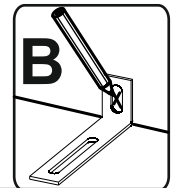
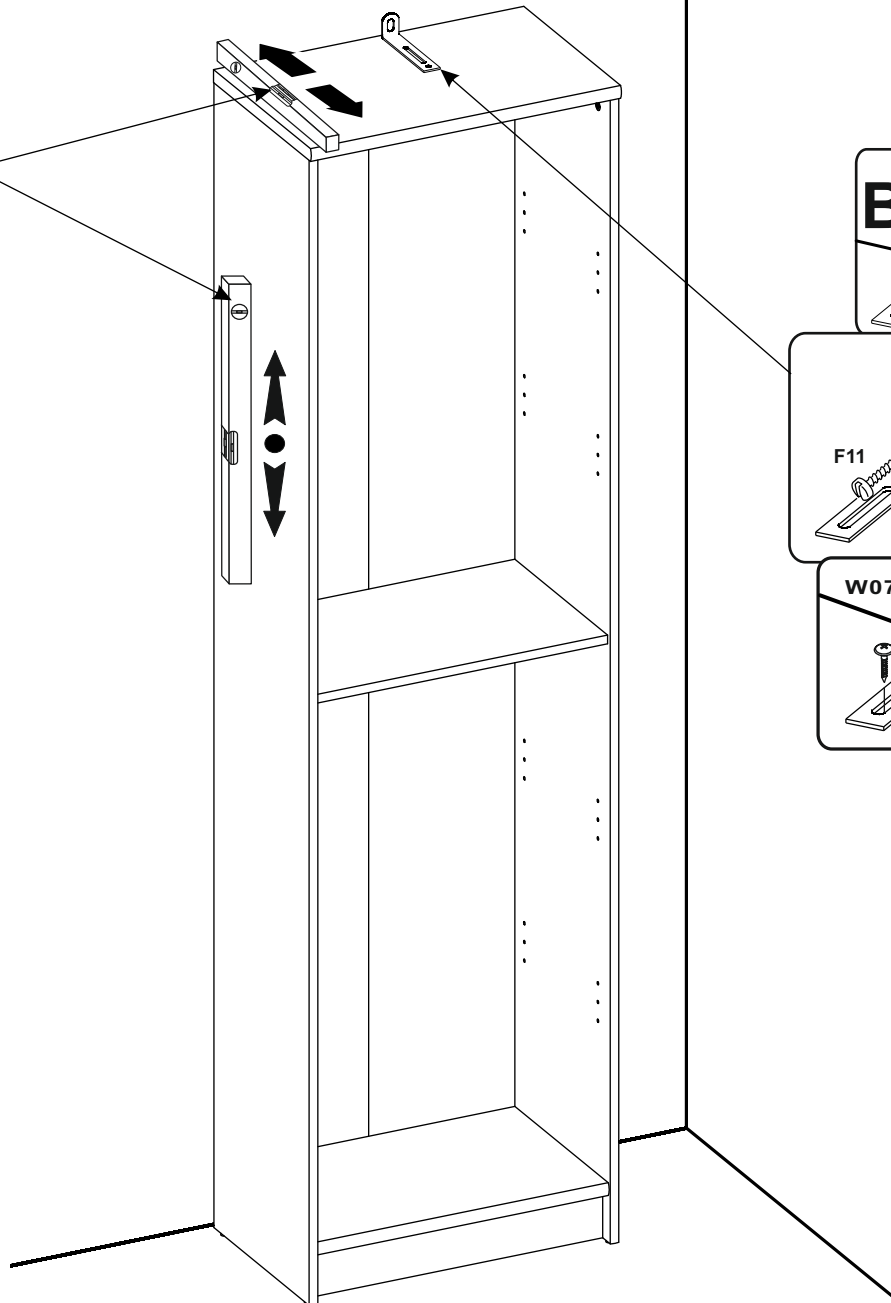
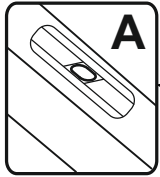


A=B



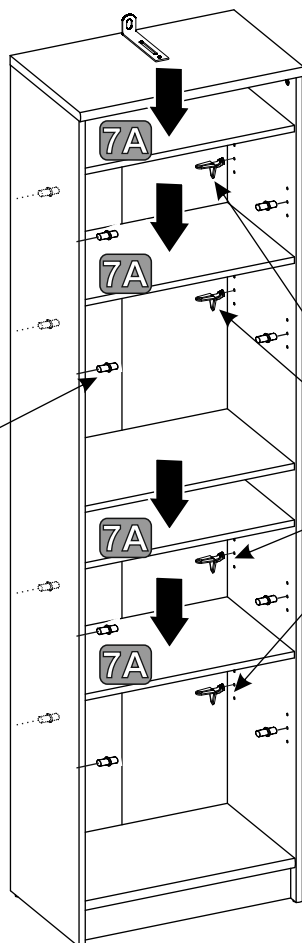
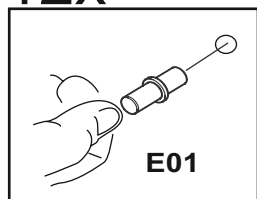
6

 4x13	 P01	 F11	 F01
2x W07	1x	1x	1x



7

12x



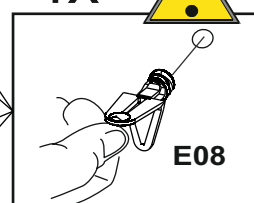
4x

E08

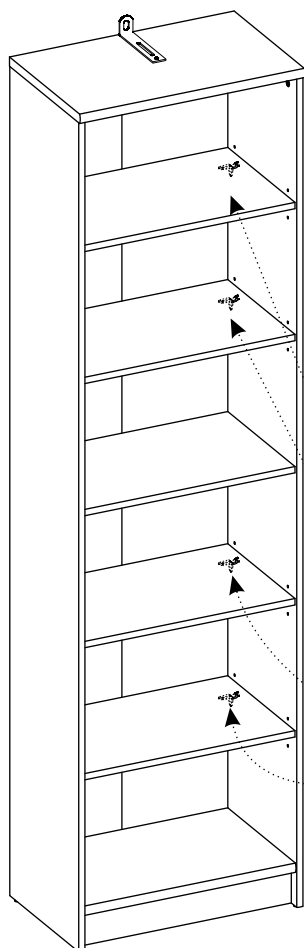
12x

E01

4x



8

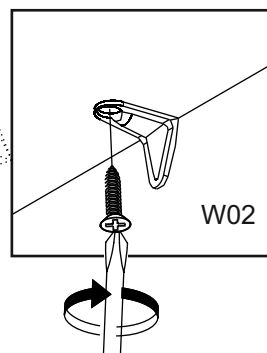


3x13



4x

W02



W02