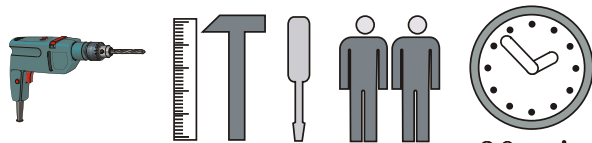
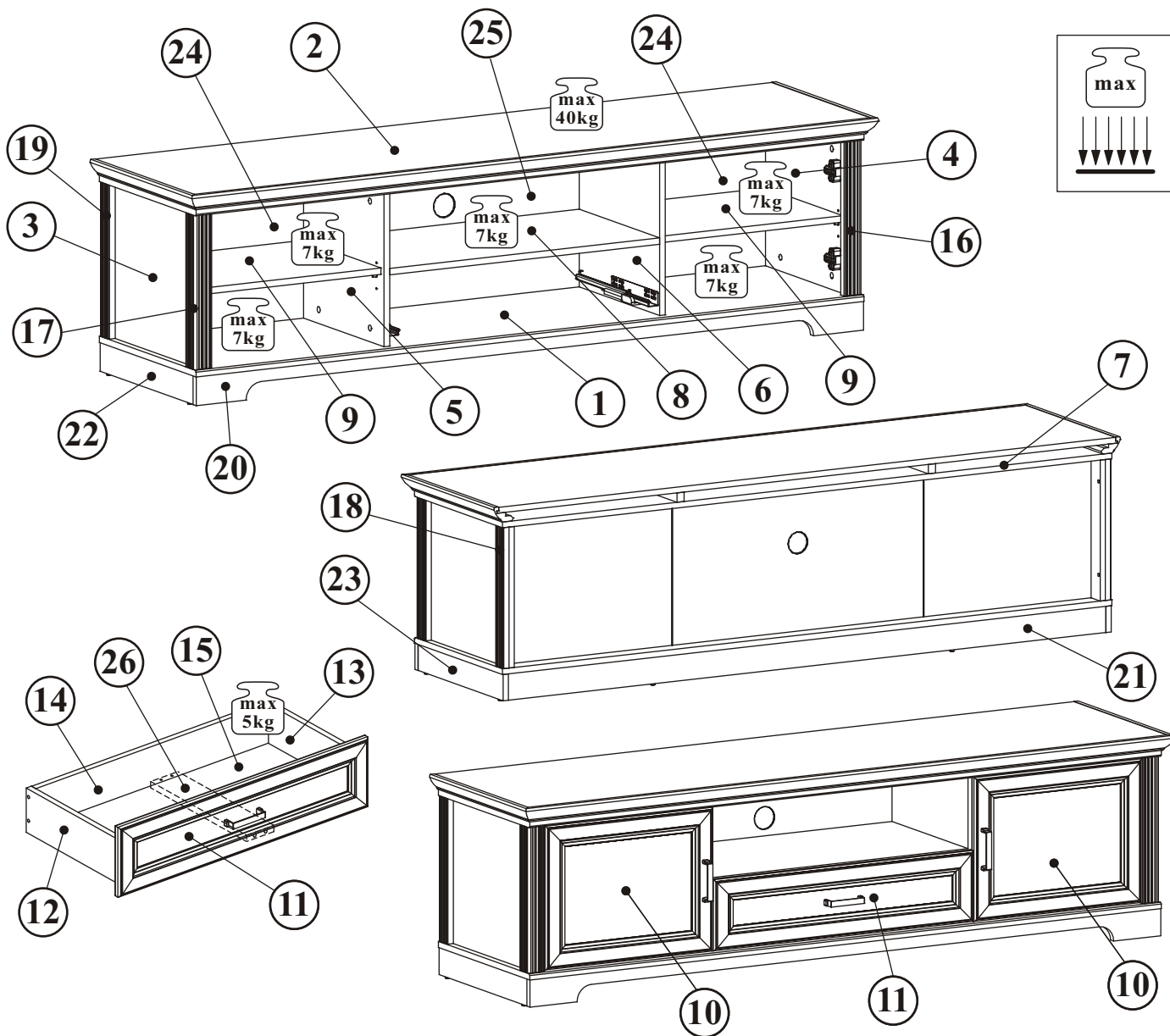


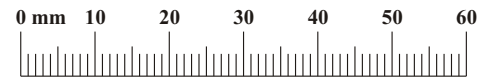
JASMIN 10G9_32



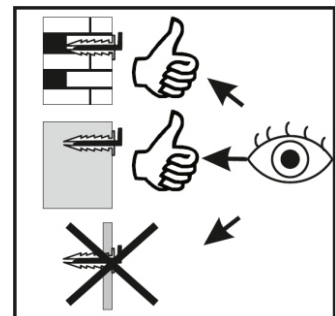
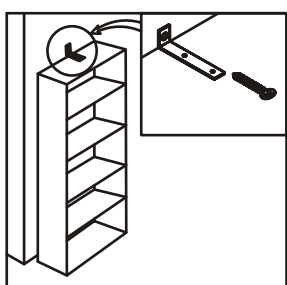
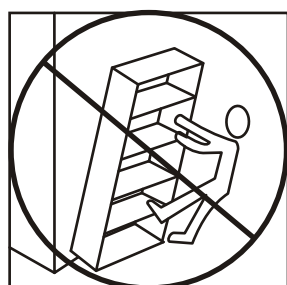
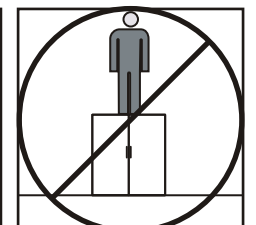
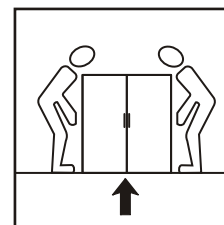
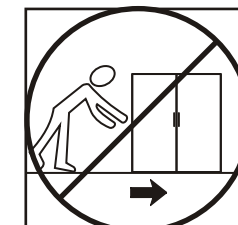
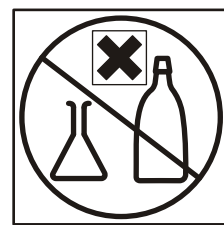
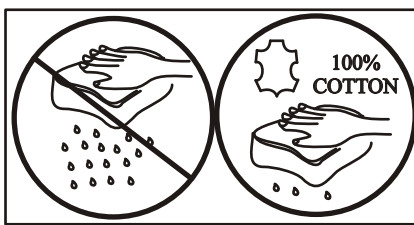
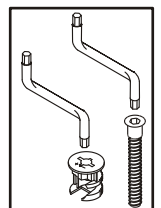
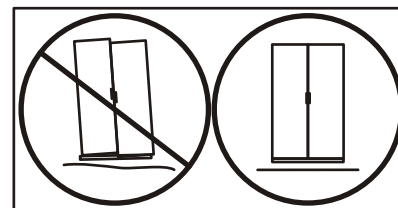
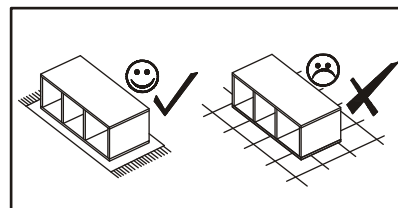
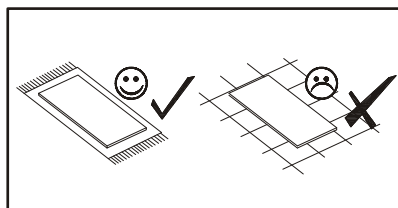
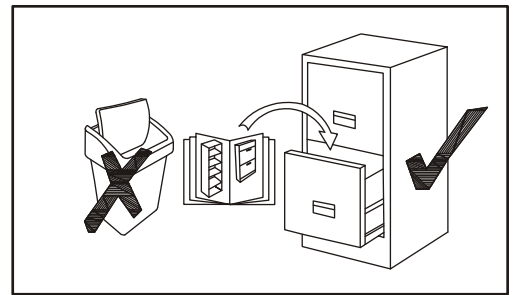
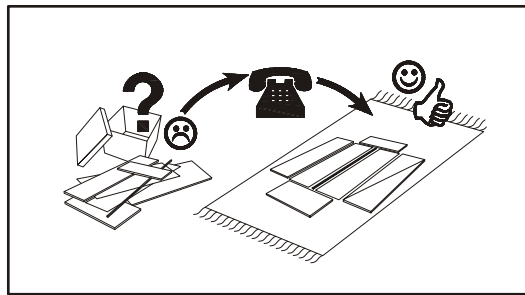
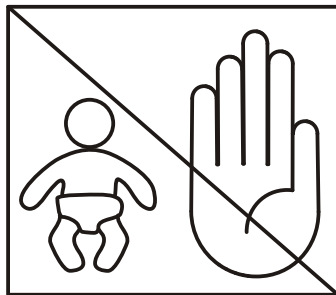
90 min

č. NO	rozměr/rozmer Dim.		balík Col.-No	ks Qty
1	1876	482	2	1
2	1929	508	2	1
3	386	455	1	1
4	386	455	1	1
5	386	401	1	1
6	386	401	1	1
7	1876	482	3	1
8	758	401	1	1
9	507	386	1	2
10	380	496	1	2
11	770	188	1	1
12	350	120	3	1
13	350	120	3	1

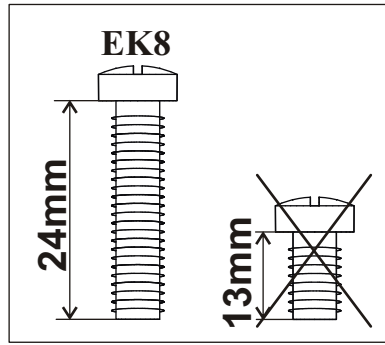
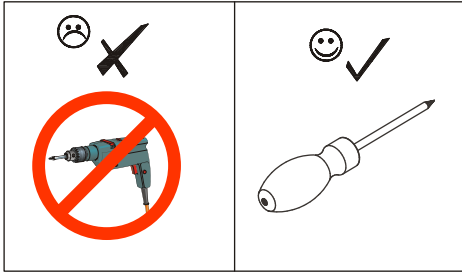
č. NO	rozměr/rozmer Dim.		balík Col.-No	ks Qty
14	718	106	3	1
15	354	730	3	1
16	386	49	1	1
17	386	49	1	1
18	386	43	1	1
19	386	43	1	1
20	1874	72	3	1
21	1840	72	3	1
22	465	72	3	1
23	465	72	3	1
24	398	521	3	2
25	398	774	3	1
26	349	80	3	1



A1 x41 ø8x36	B4 x36	B5 x36 ø15x12	G5 x36	G7 x8	G2 x1
S1 x16	E17 x4 H=16	E13 x4 H=2	UP6 x2 UPØ4x30	L1 x2	KR1 x2
EK8 x8 EKØ6,3x24	D10 x20 USØ3,5x13	UP13 x12 UPØ3x16	D20 x4 ESØ6,3x9,5	QU x1 L-350	I2 x6
B11 x4 Ø7x50	B14 x17 Ø7x30	G4 x21	KM1 x2	G16 x6	E0 x4 H=11
C19 x3	D16 x2 M4x16	D4 x4 M4x30	G18 x1 Ø60	UP9 x8 UPØ3,5x16	I9 x2 H-60 mm.



1

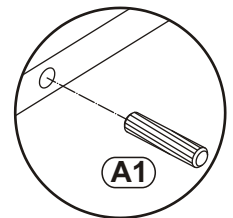
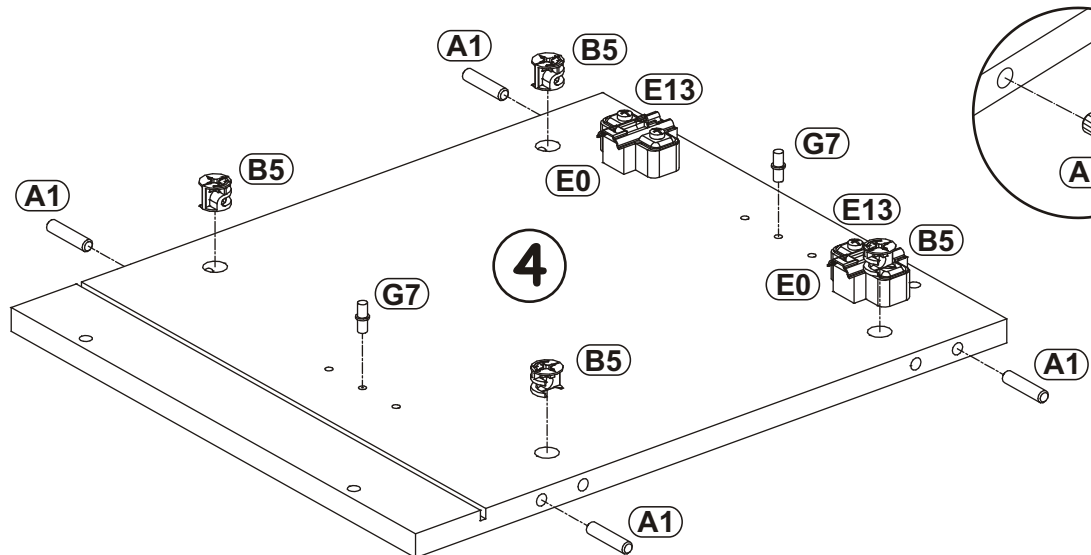
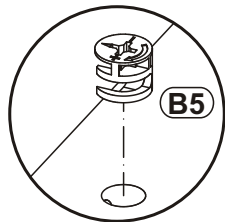
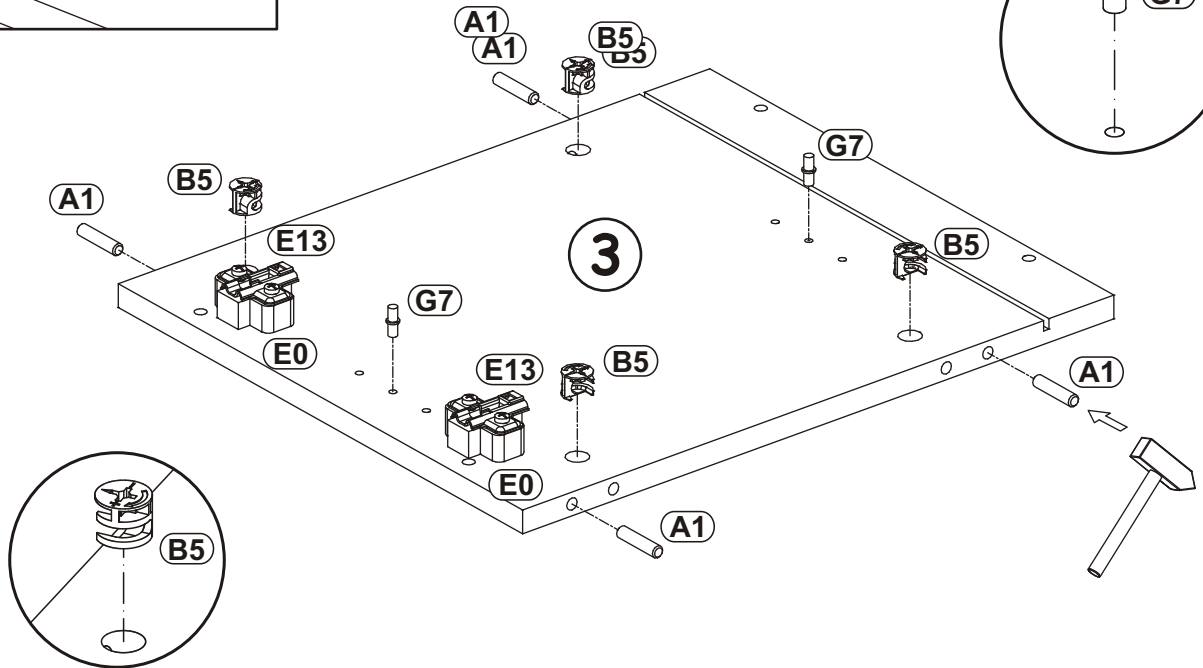
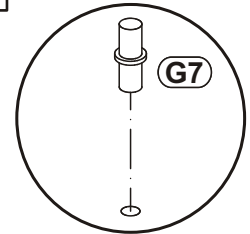
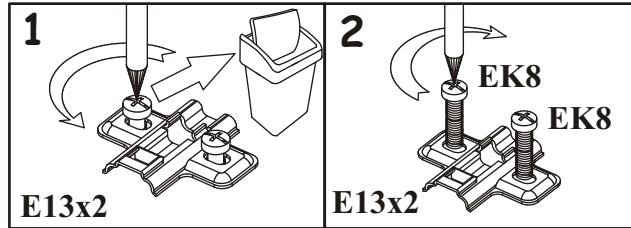
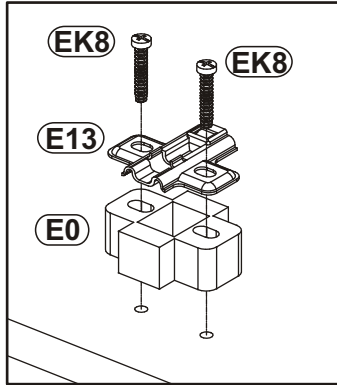


E0		E13	
x4	H=11	x4	H=2

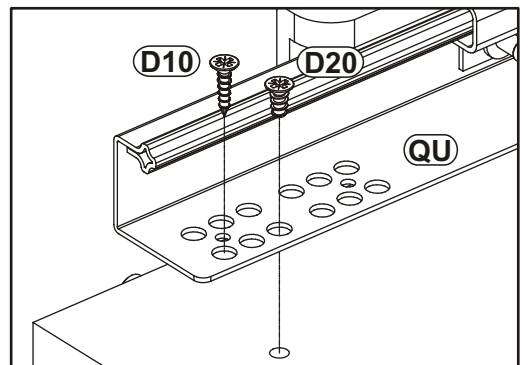
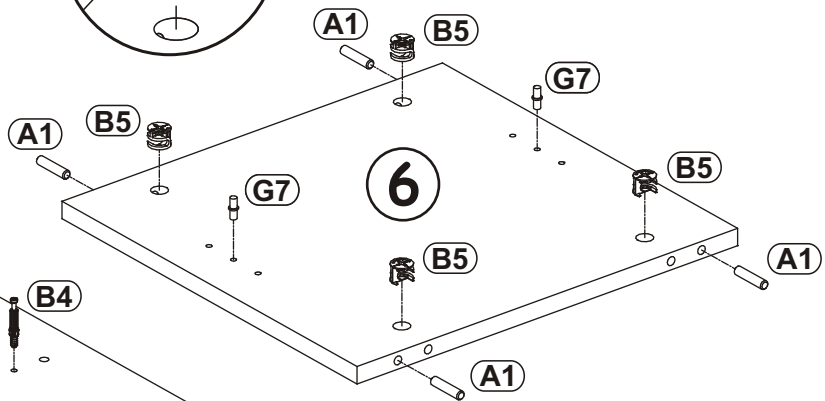
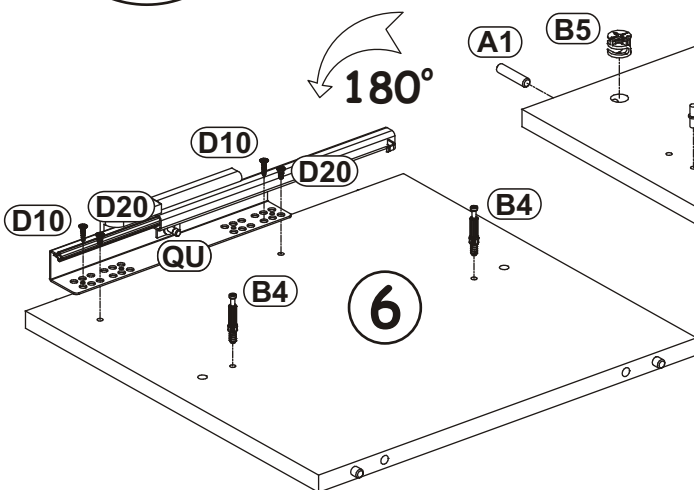
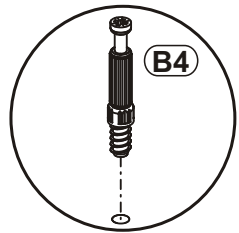
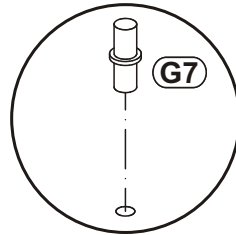
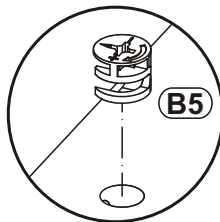
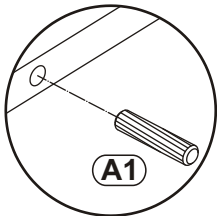
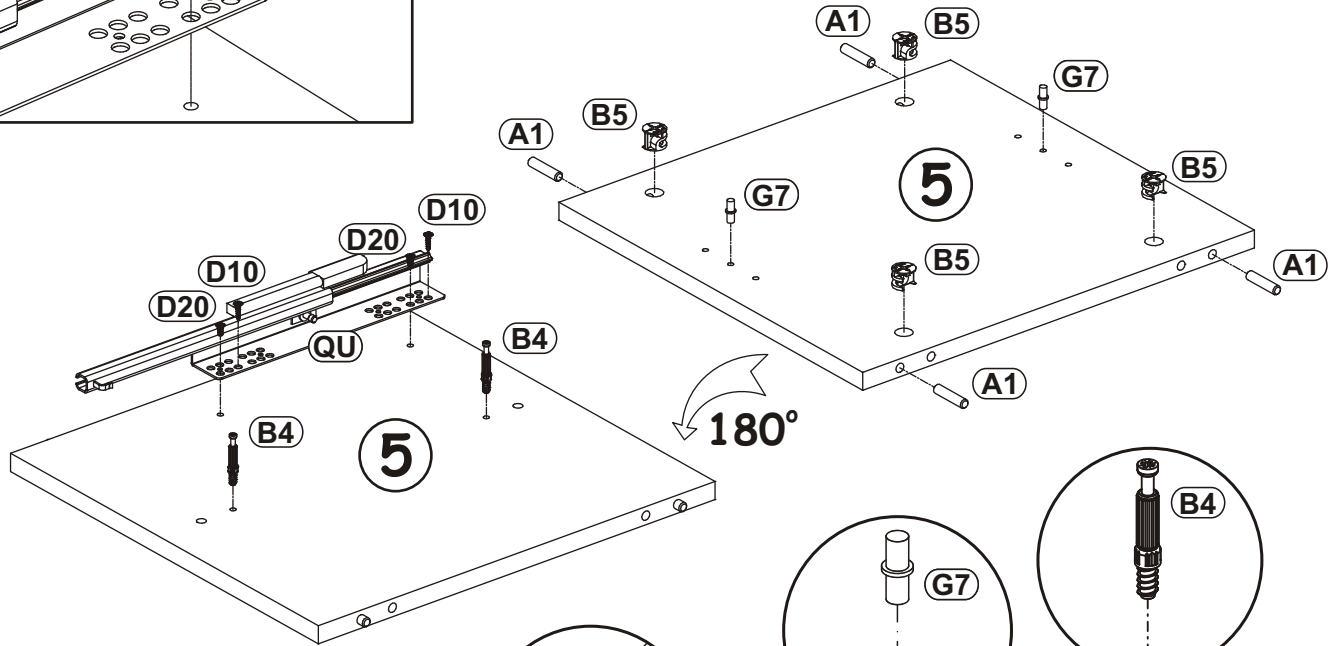
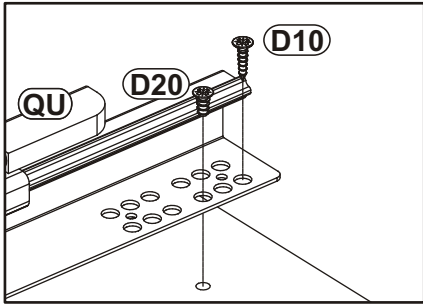
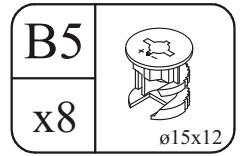
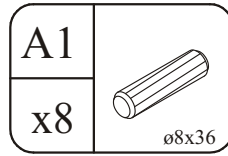
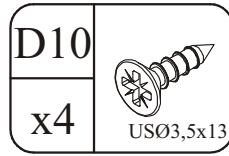
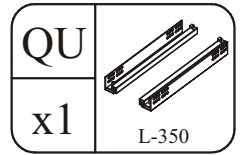
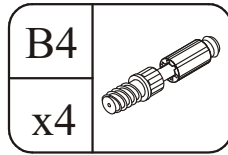
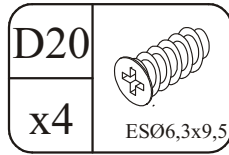
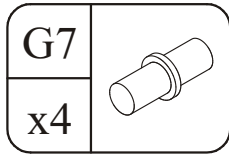
B5		EK8	
x8	ø15x12	x8	EKØ6,3x24

A1	
x8	ø8x36

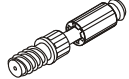
G7	
x4	

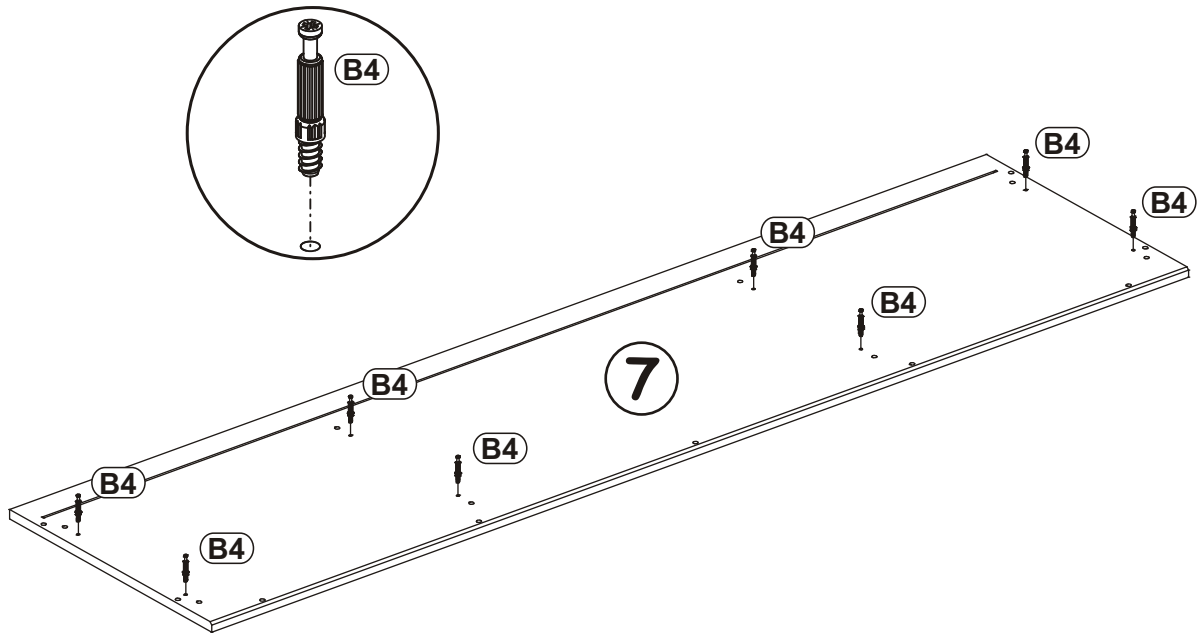


2



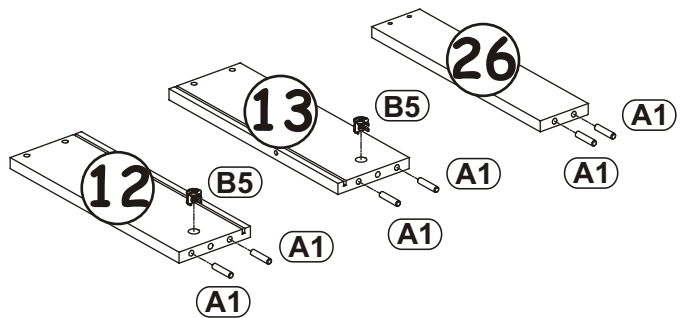
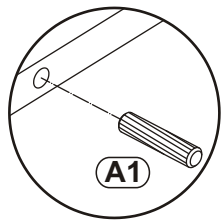
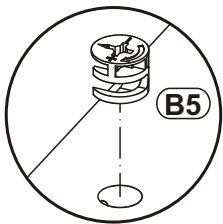
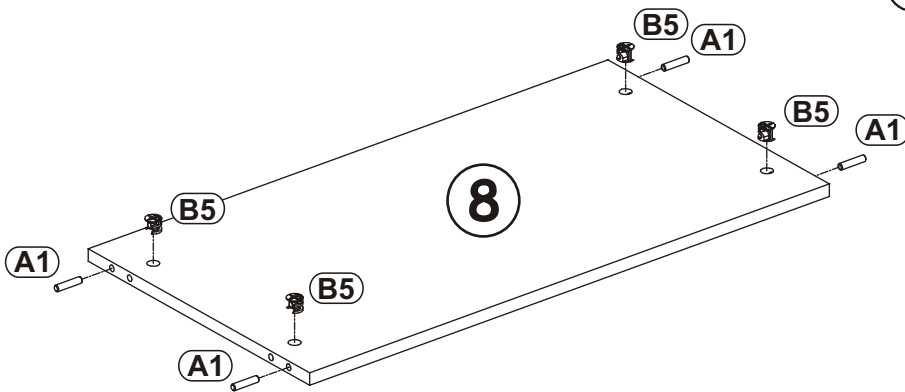
3

B4	
x8	

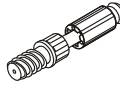

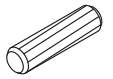


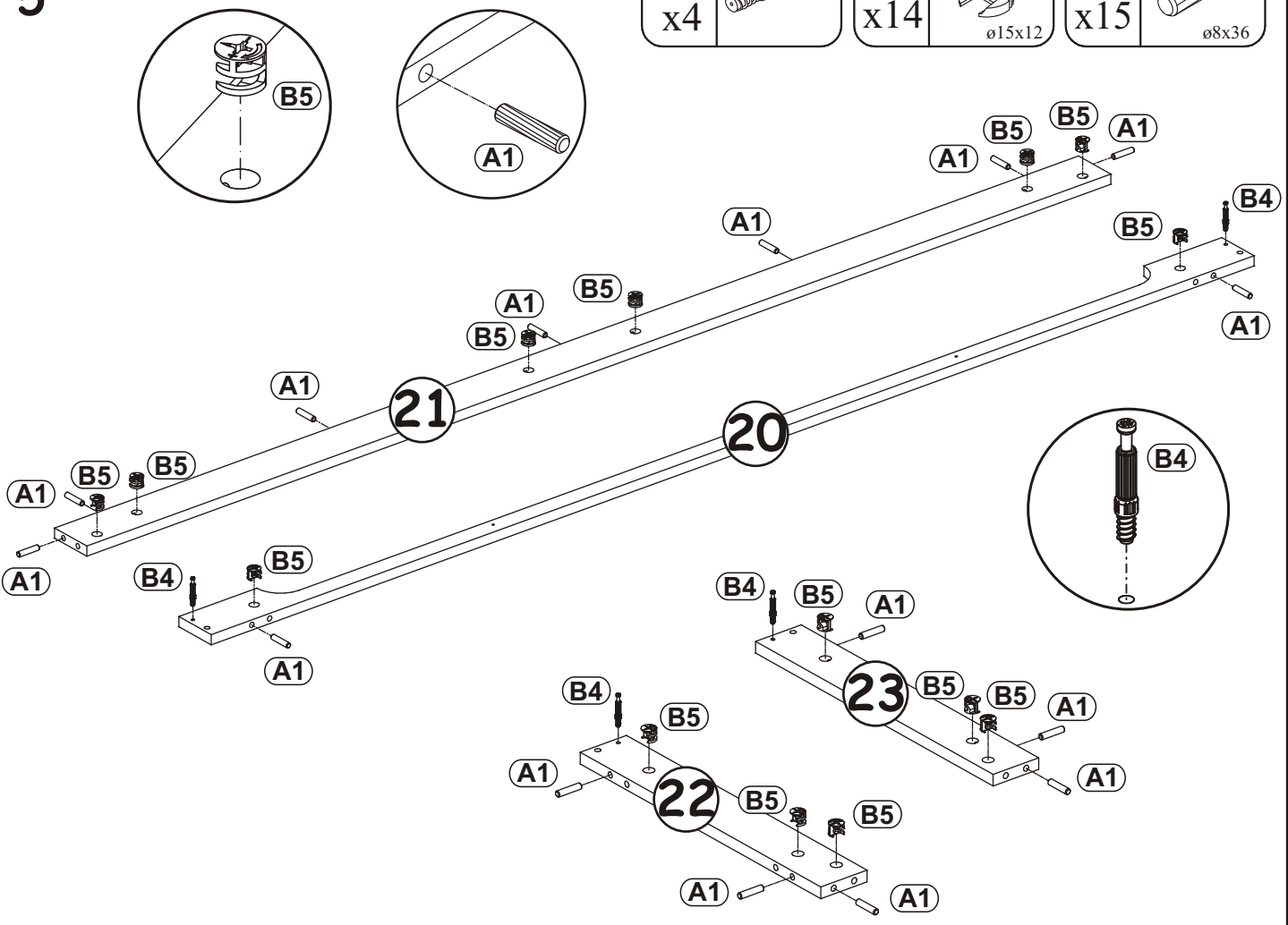
4

B5		A1	
x6	ø15x12	x10	ø8x36

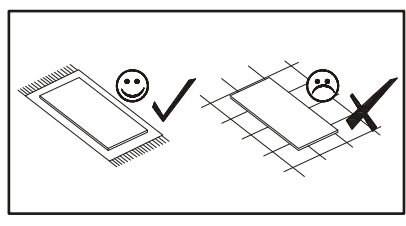




5

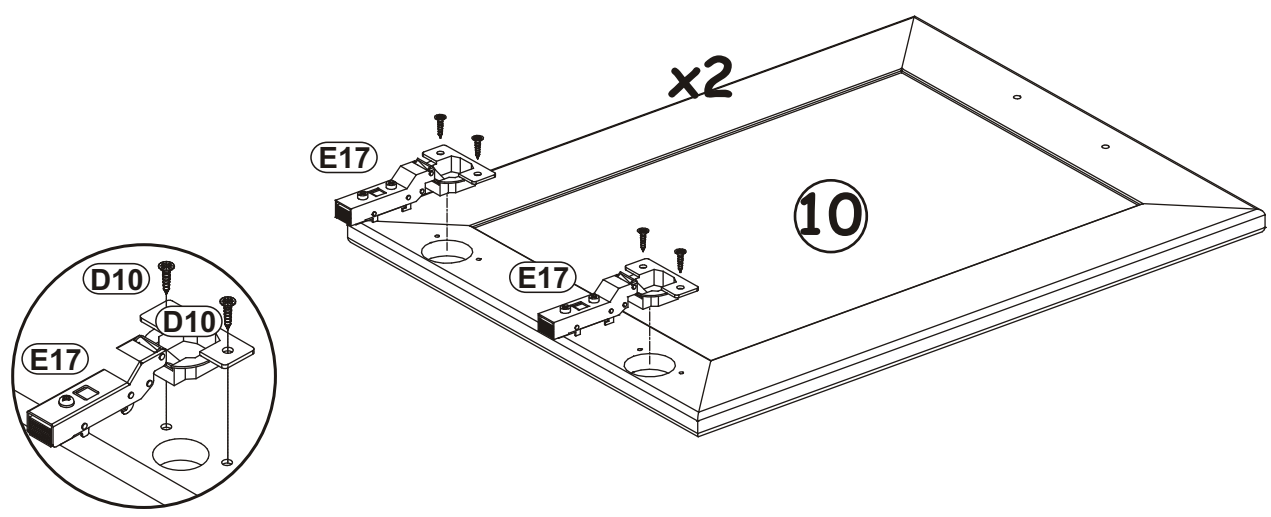
B4		B5		A1	
x4		x14	ø15x12	x15	ø8x36



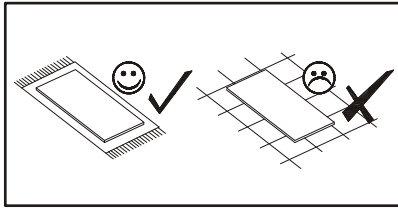
6



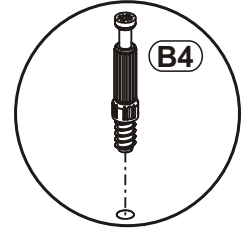
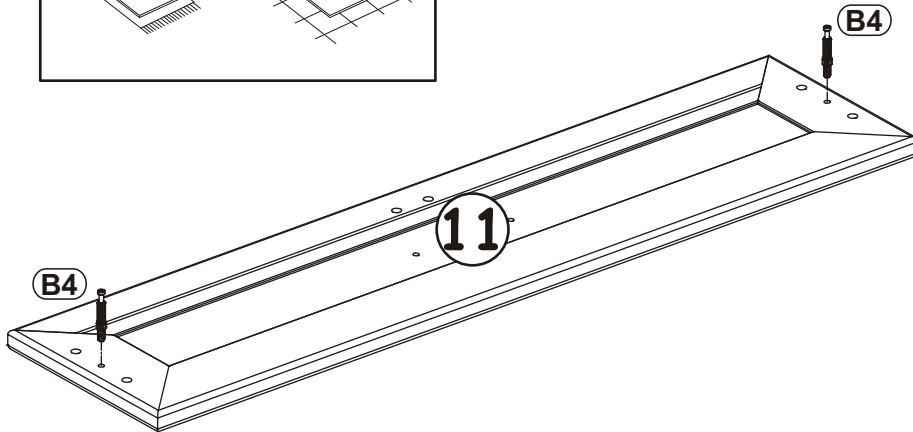
D10		E17	
x8	USØ3,5x13	x4	H=16



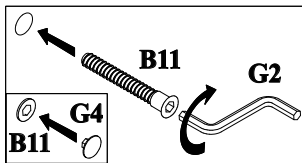
7



B4	
x2	



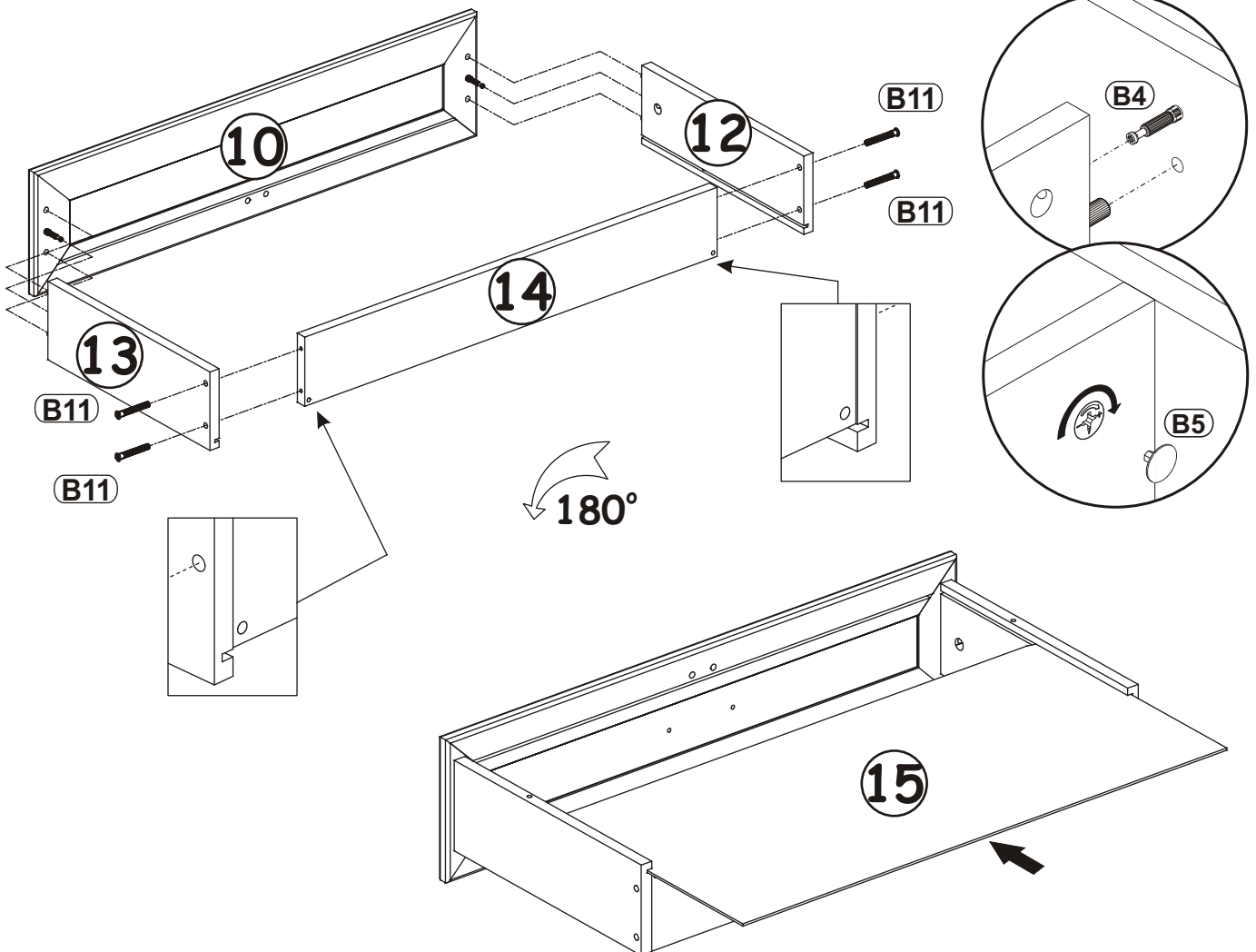
8



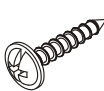
G5	
x2	

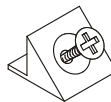
B11	
x4	$\varnothing 7 \times 50$

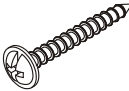
G4	
x4	

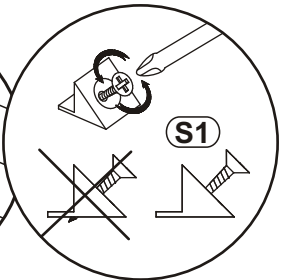
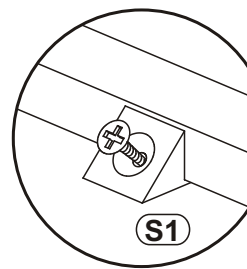
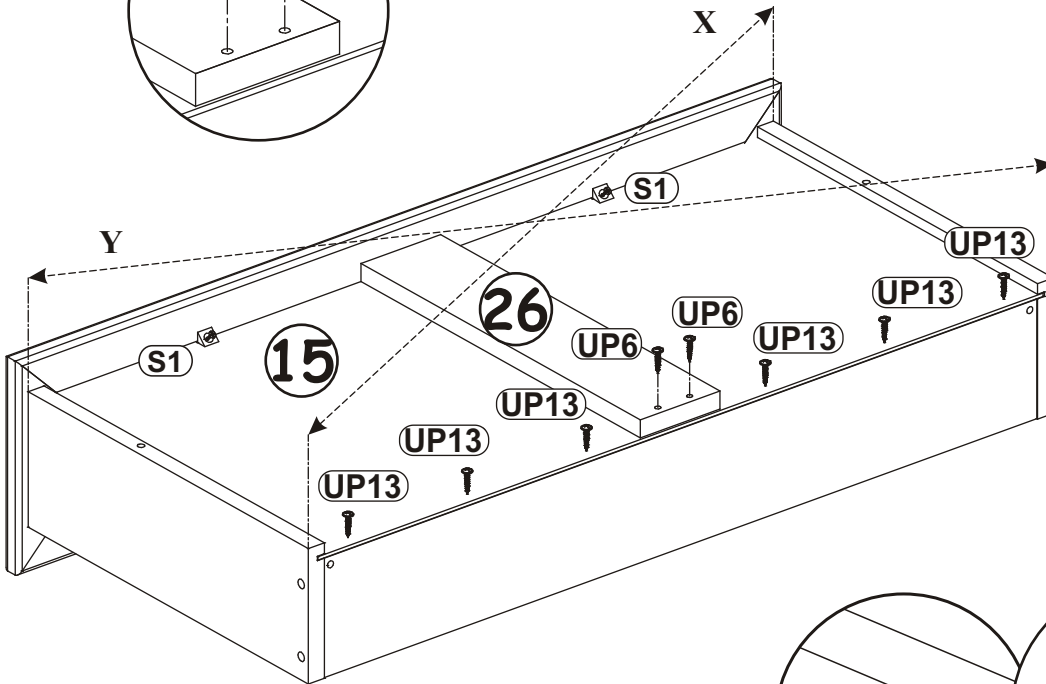
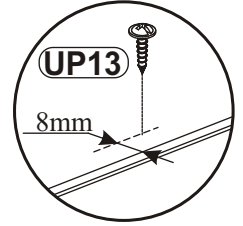
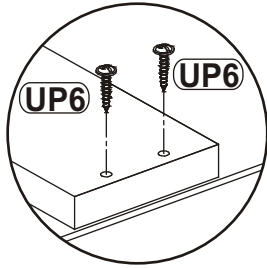


9

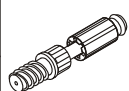
UP13	
x6	UPØ3x16

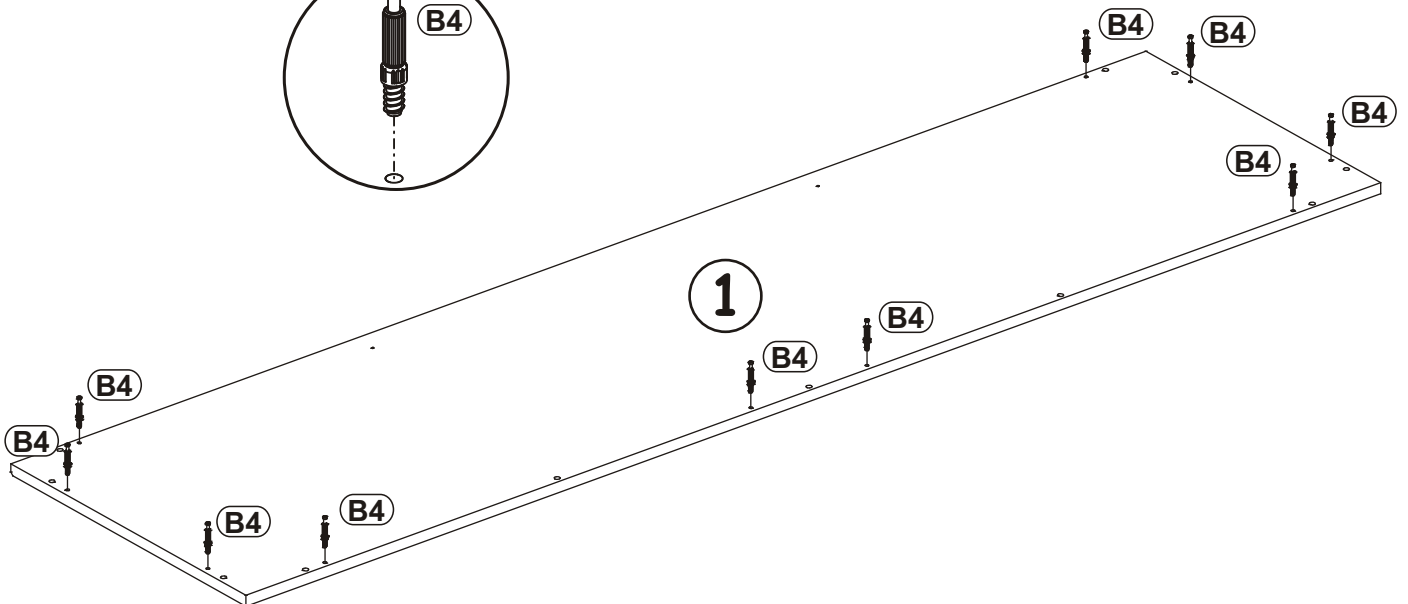
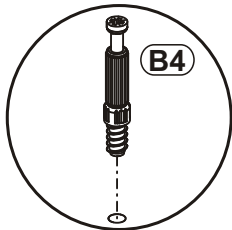
S1	
x2	

UP6	
x2	UPØ4x30

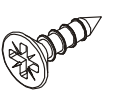



10


B4	
x10	




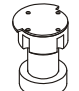
11


D10	
x6	USØ3,5x13

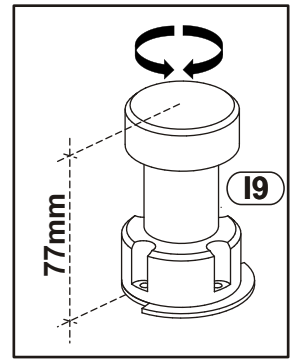
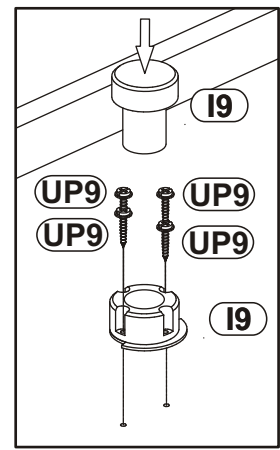
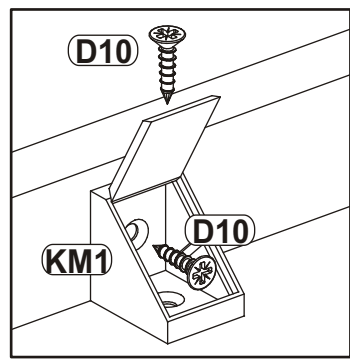
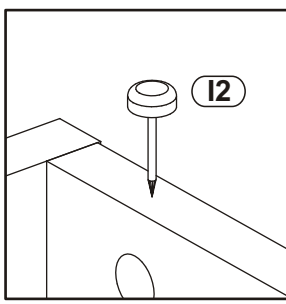
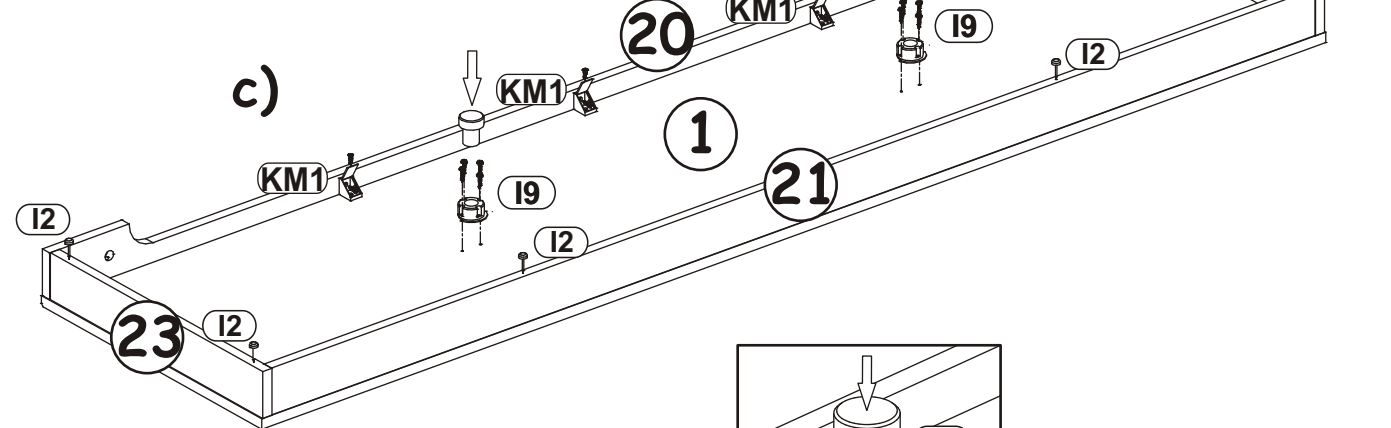
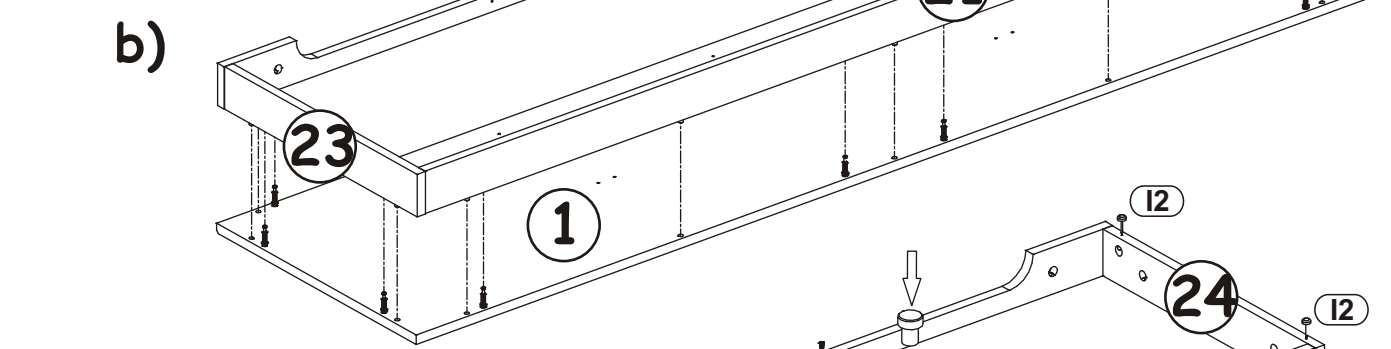
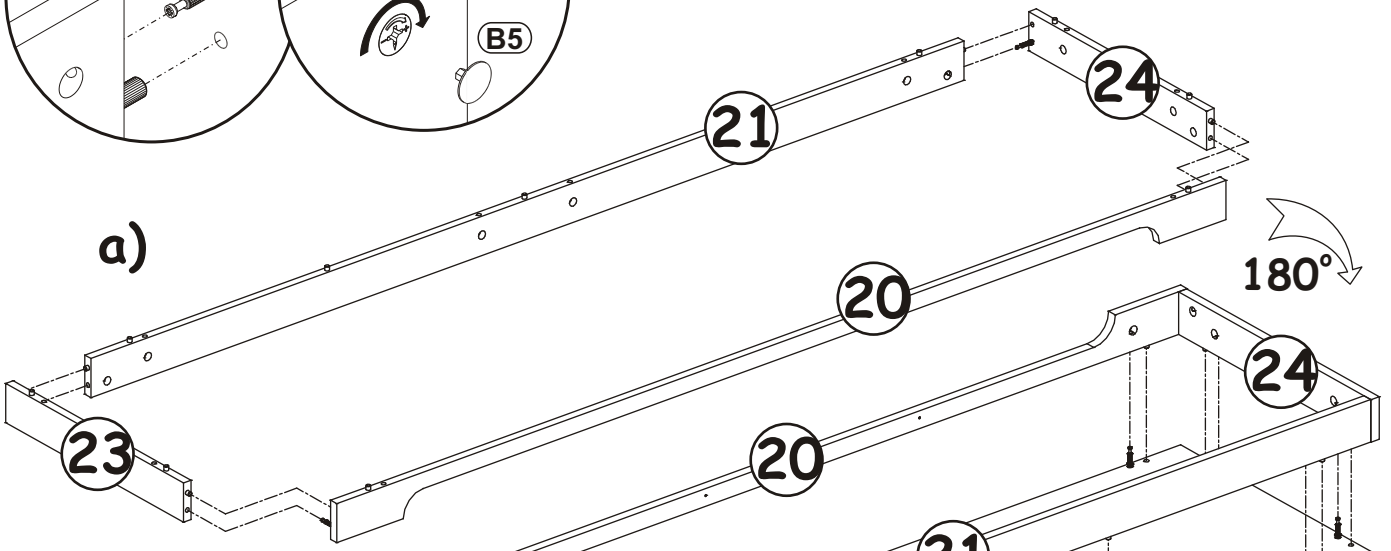
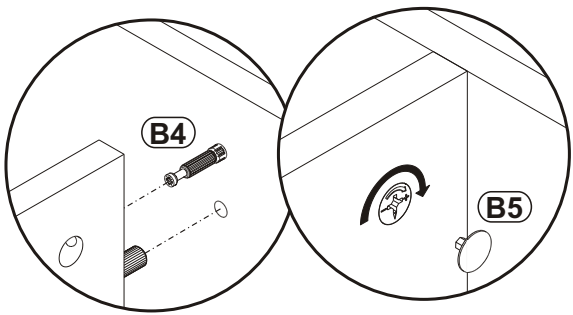
I2	
x6	

KM1	
x3	

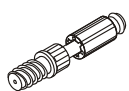
G5	
x14	

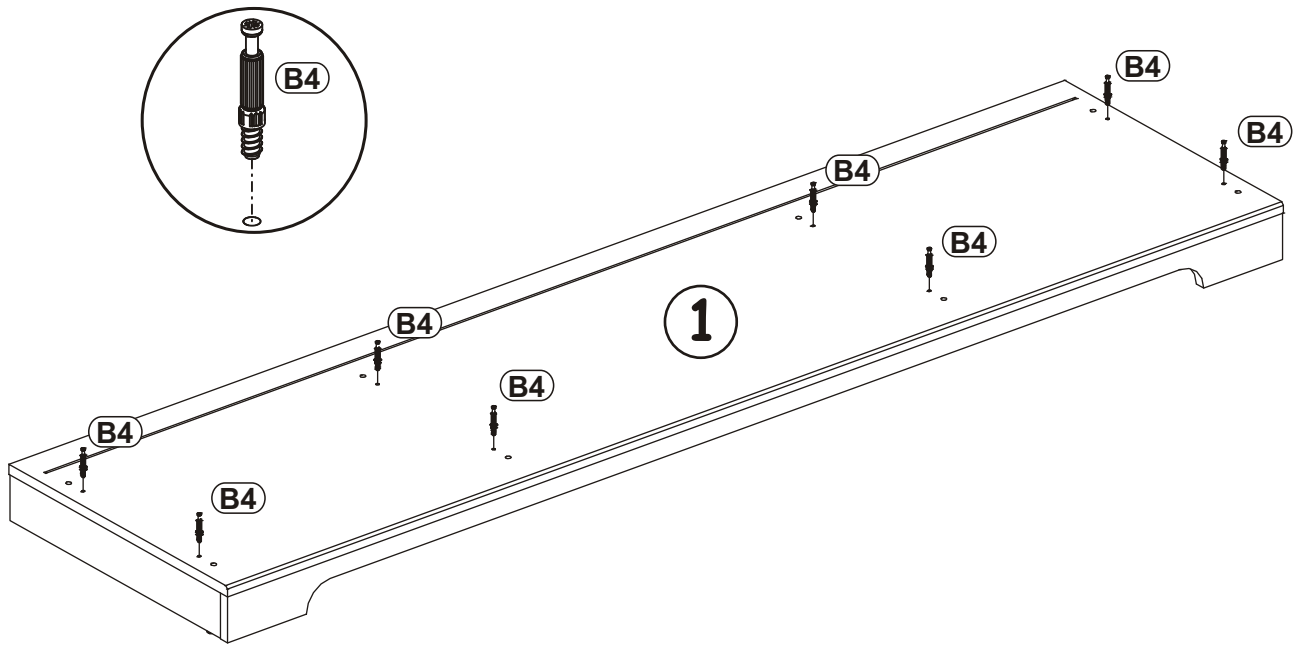
I9	
x2	H-60 mm.

UP9	
x8	UPØ3,5x16





12

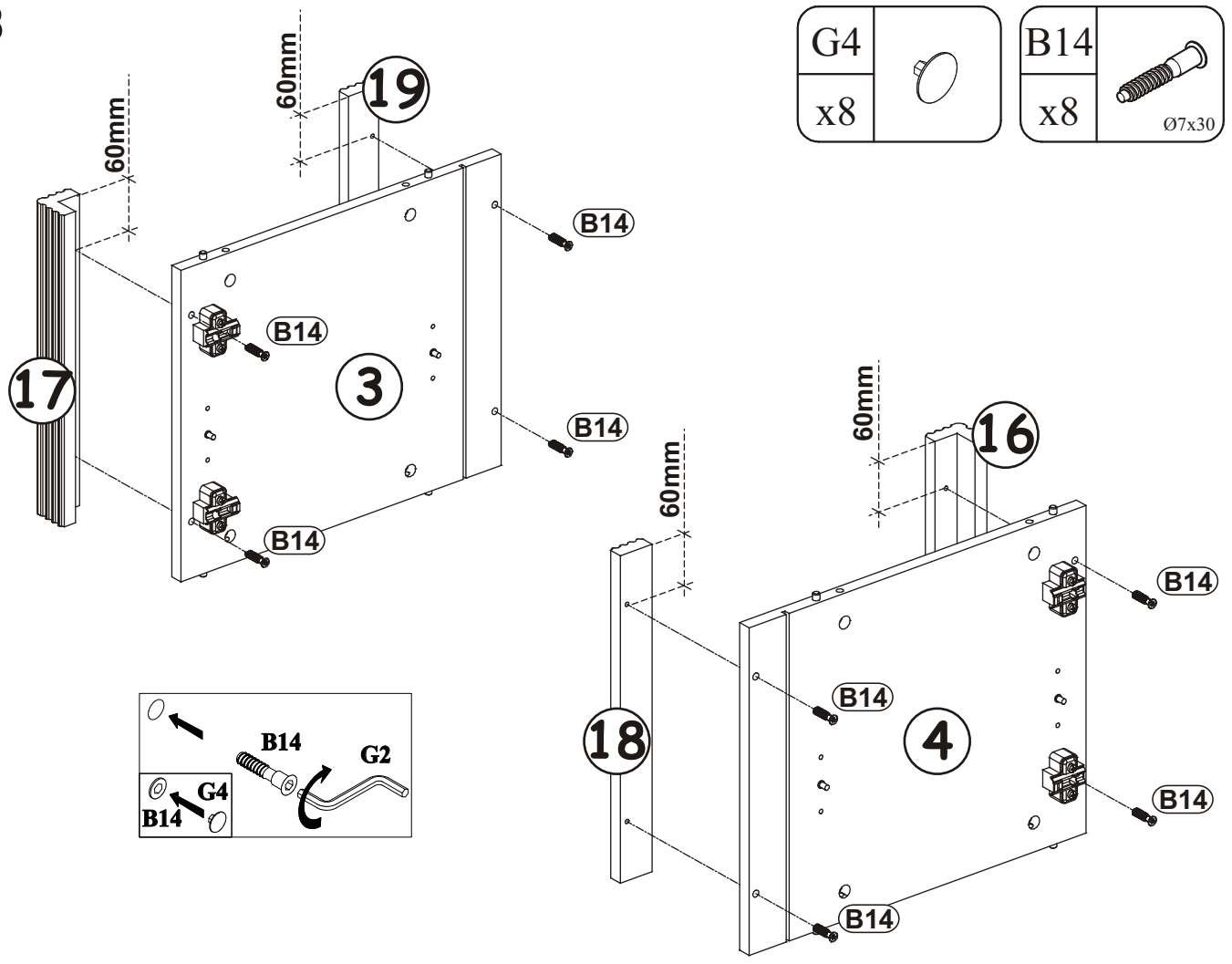
B4	
x8	



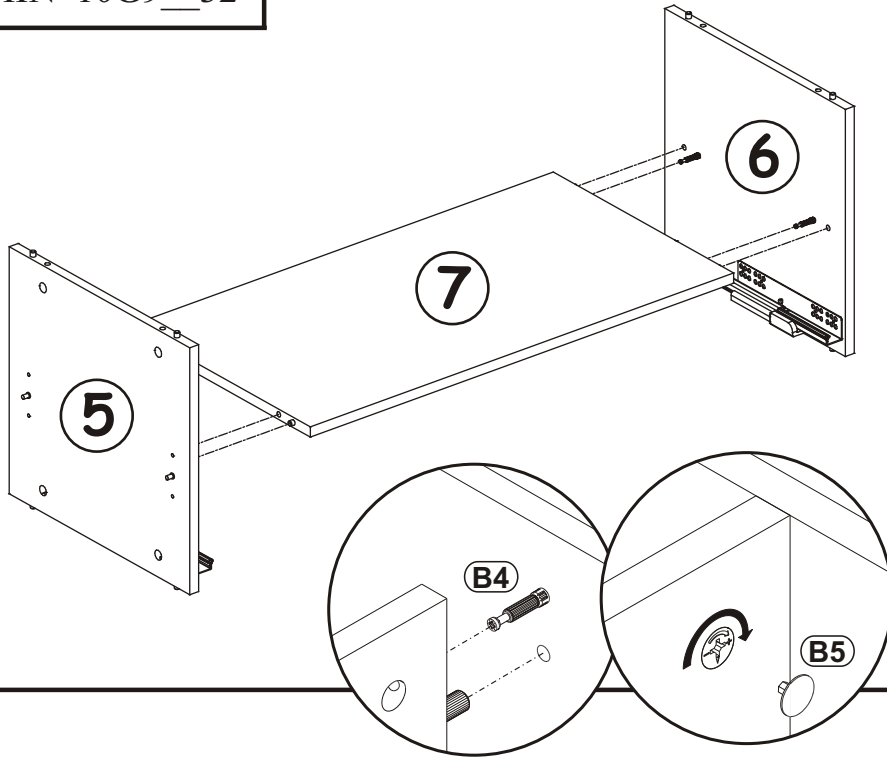
13


G4	
x8	

B14	
x8	Ø7x30

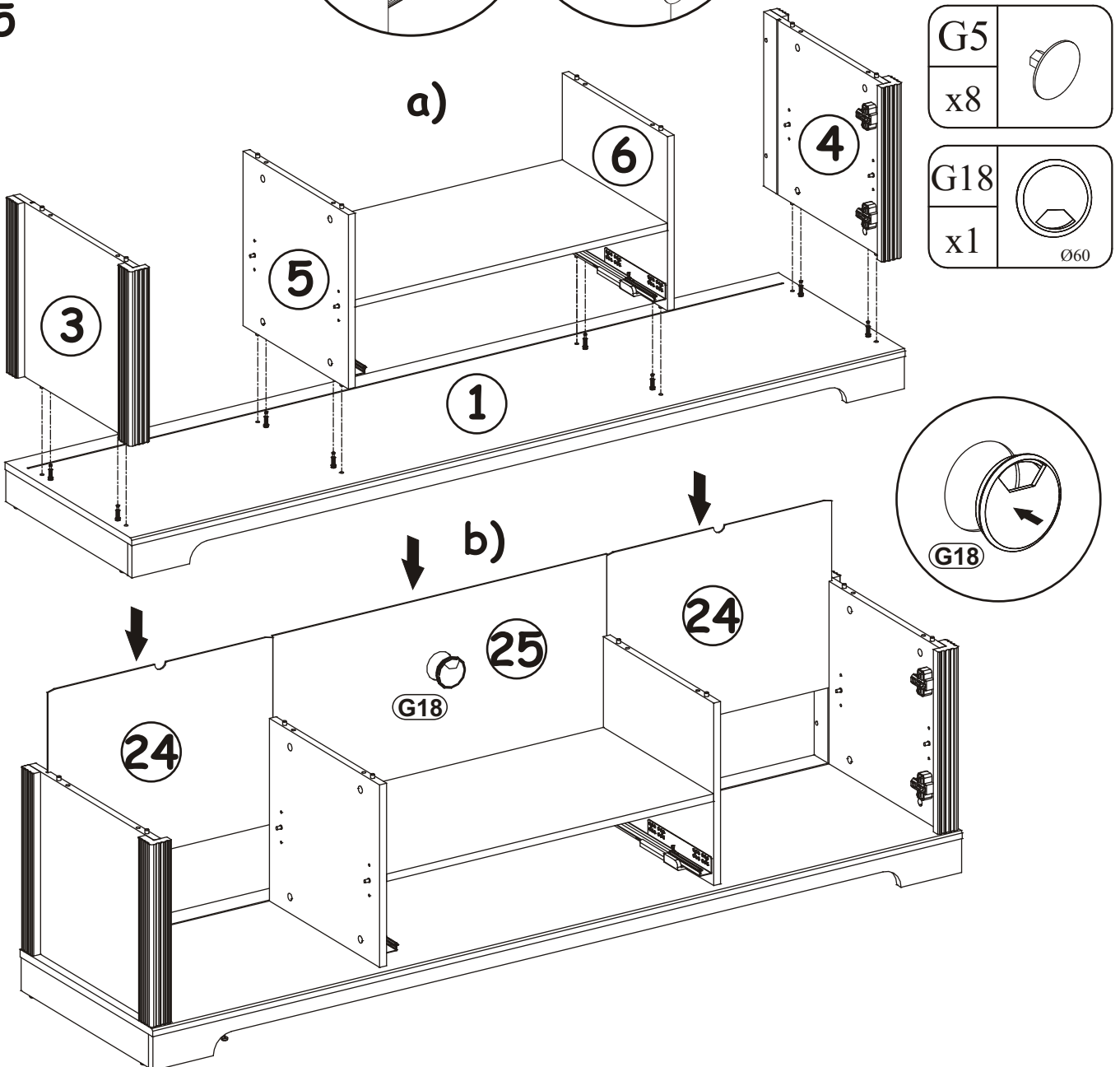



14




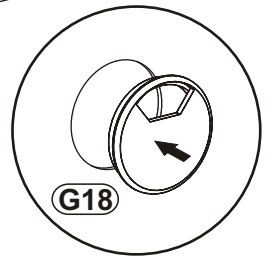
G5	
x4	

15

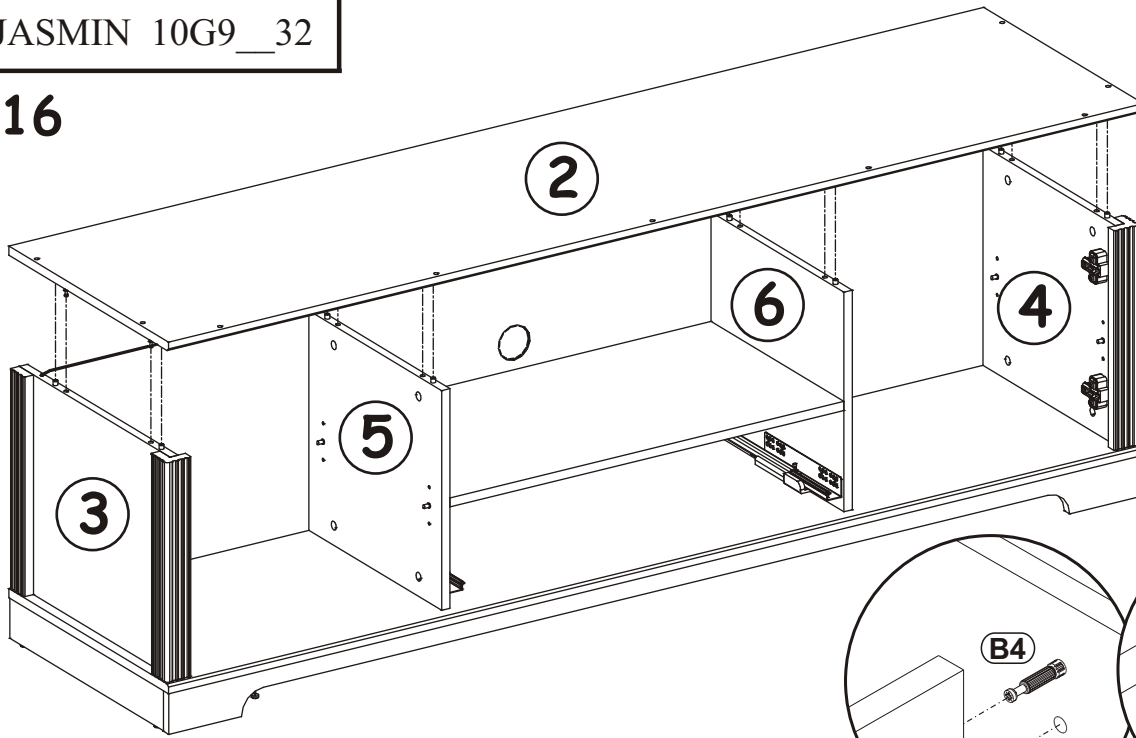


G5	
x8	

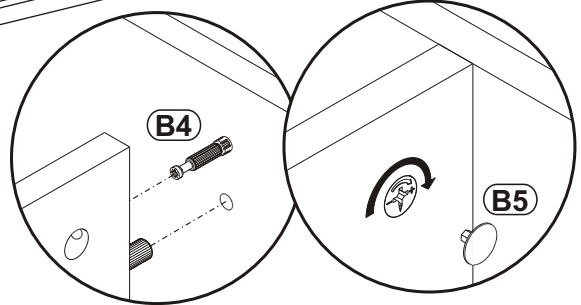
G18	
x1	Ø60



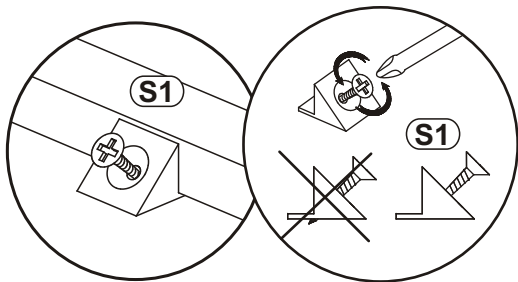
16



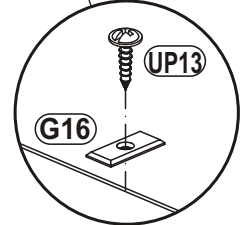
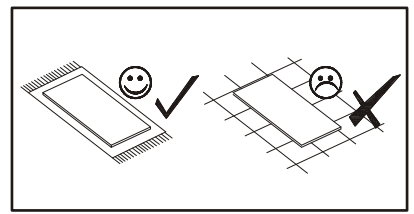
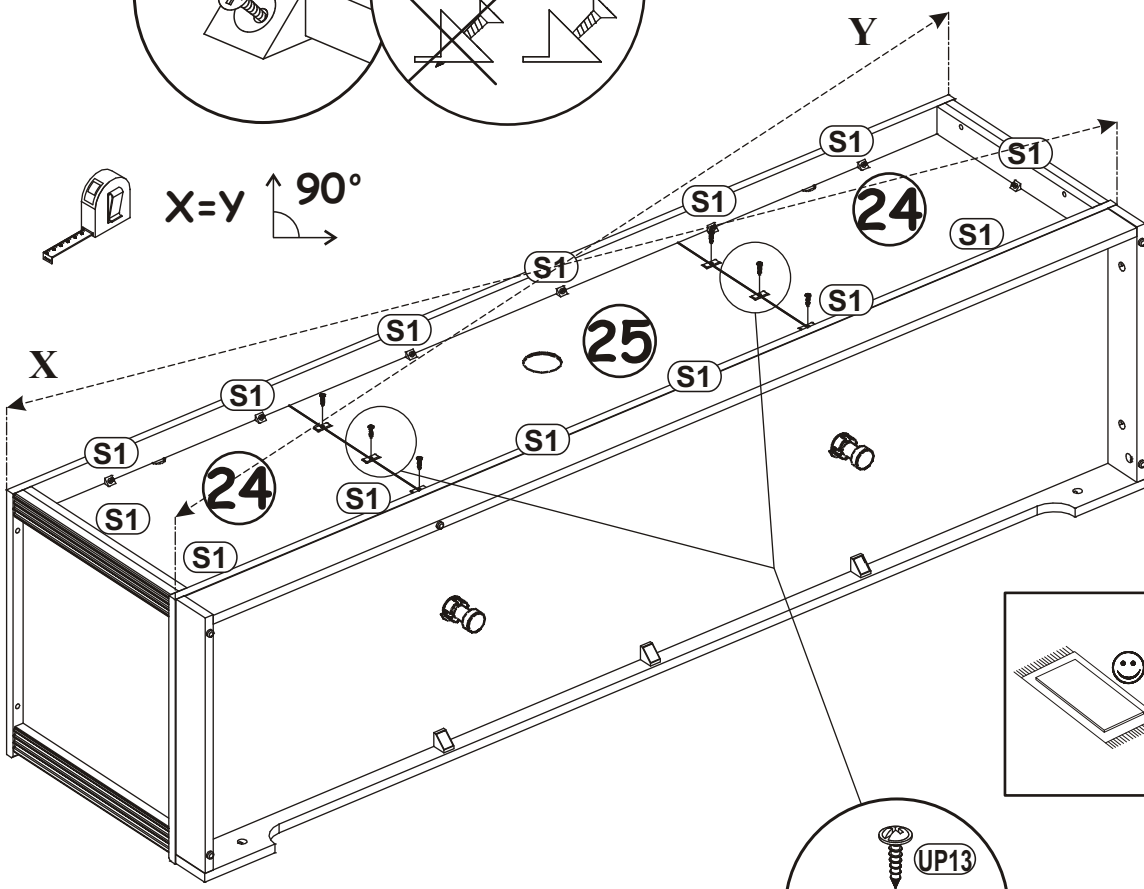
G5	
x8	



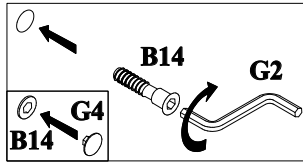
17



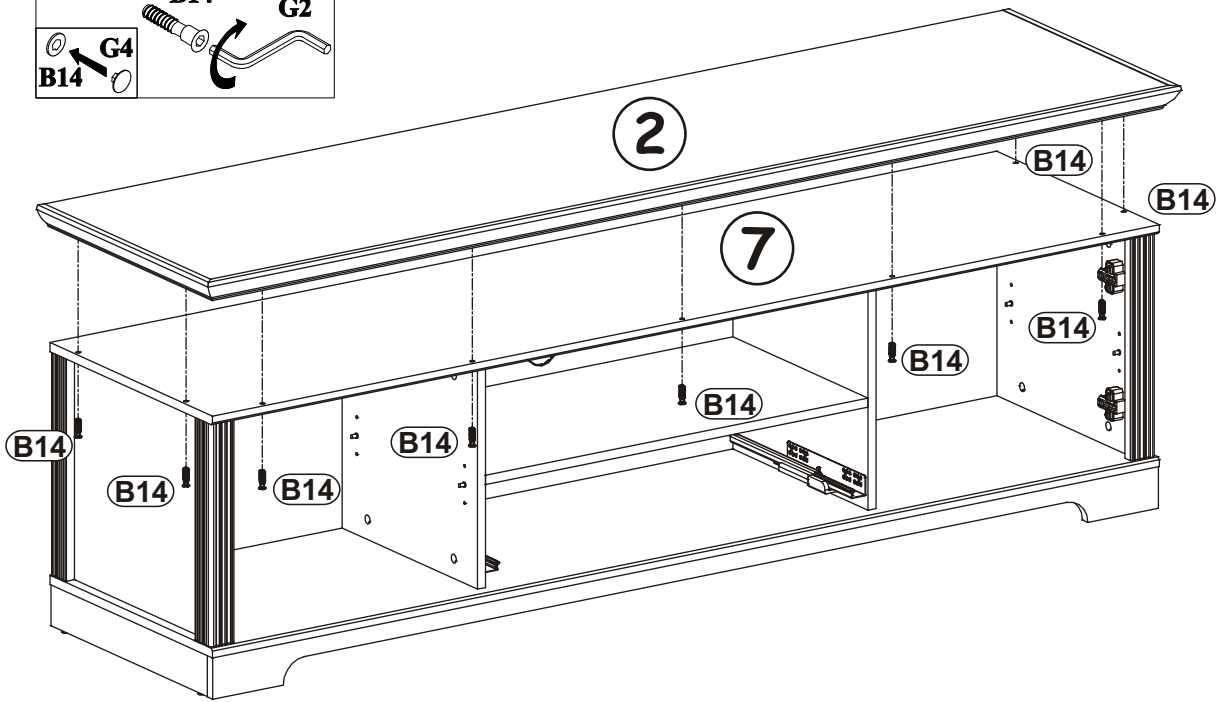
UP13		G16		S1	
x6	UPØ3x16	x6		x14	



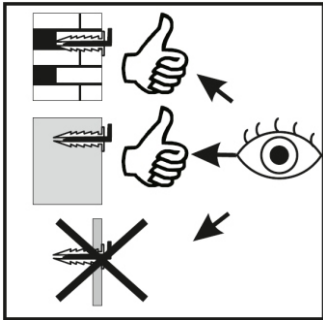
18



G4		B14	
x9		x9	Ø7x30



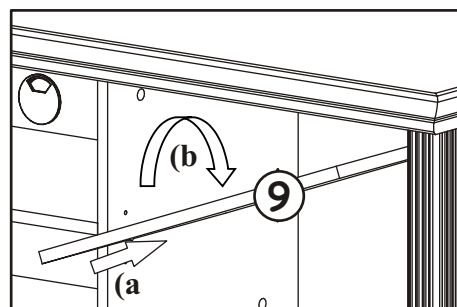
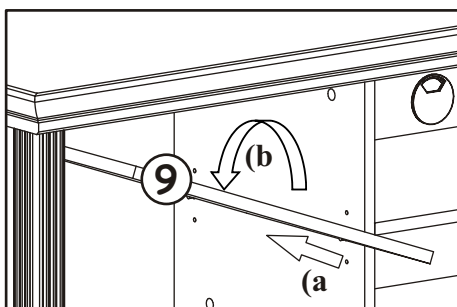
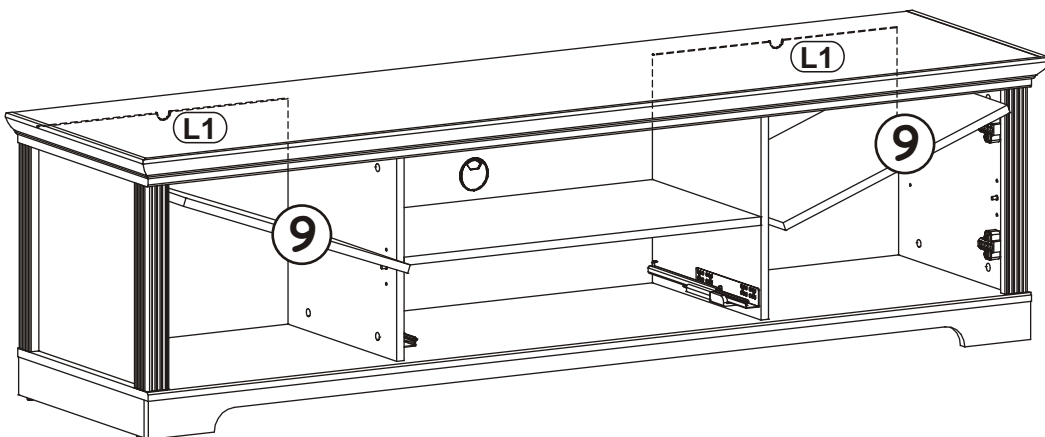
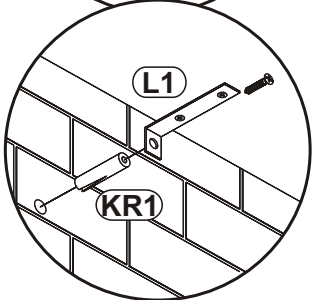
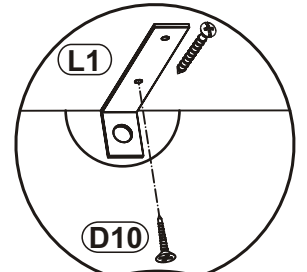
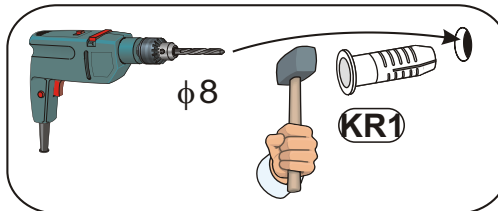
19



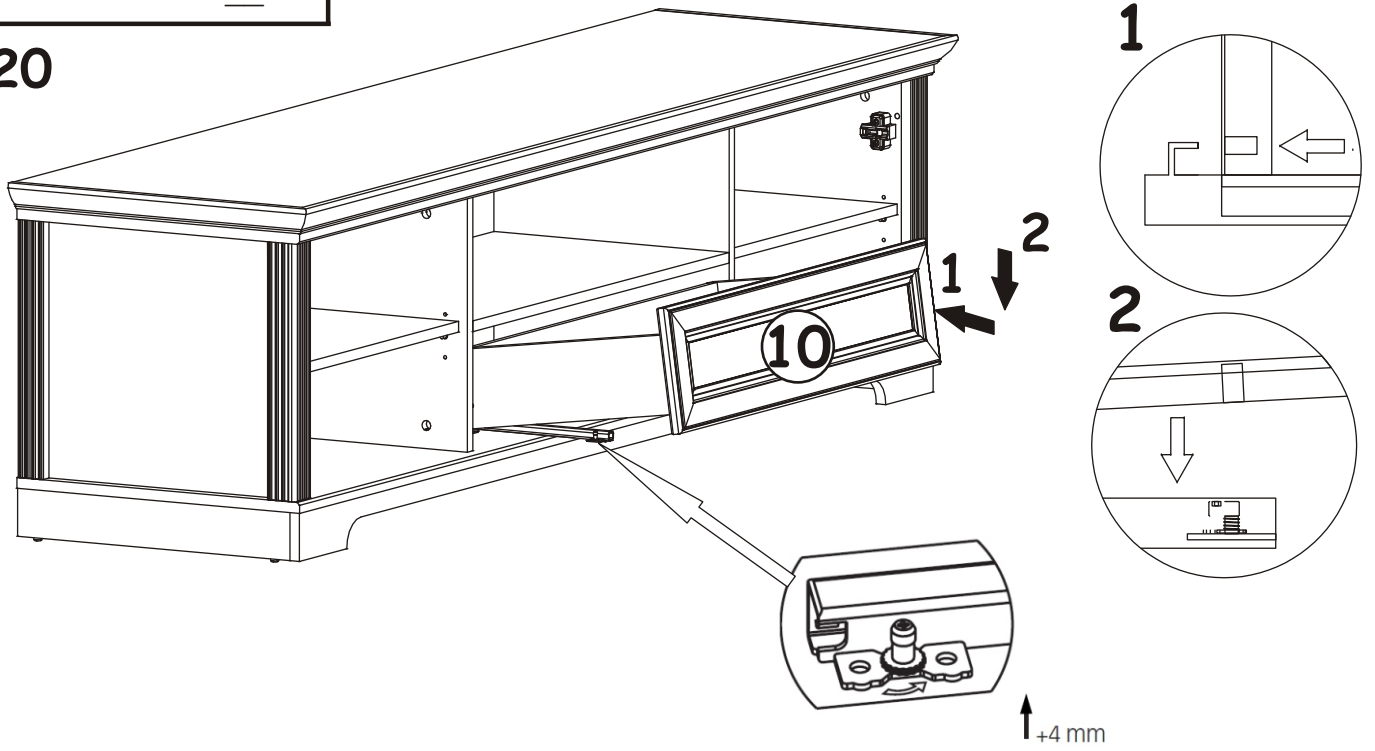
D10	
x2	USØ3,5x13

L1	
x2	

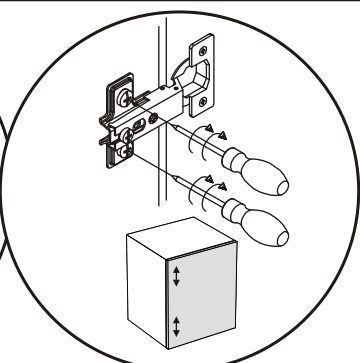
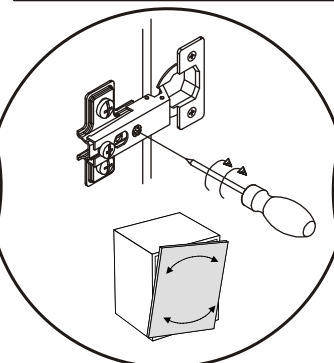
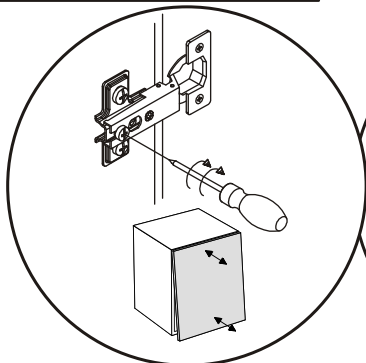
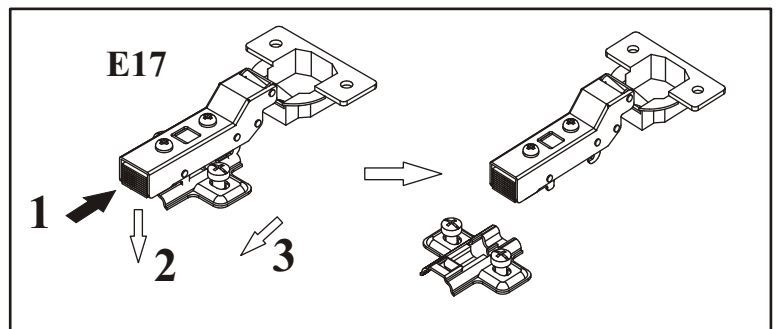
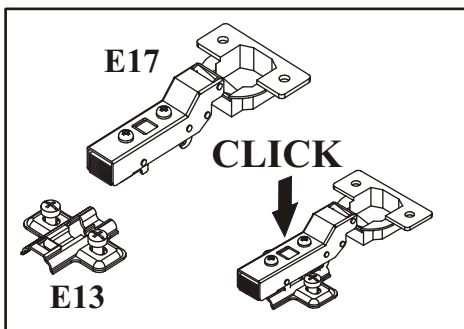
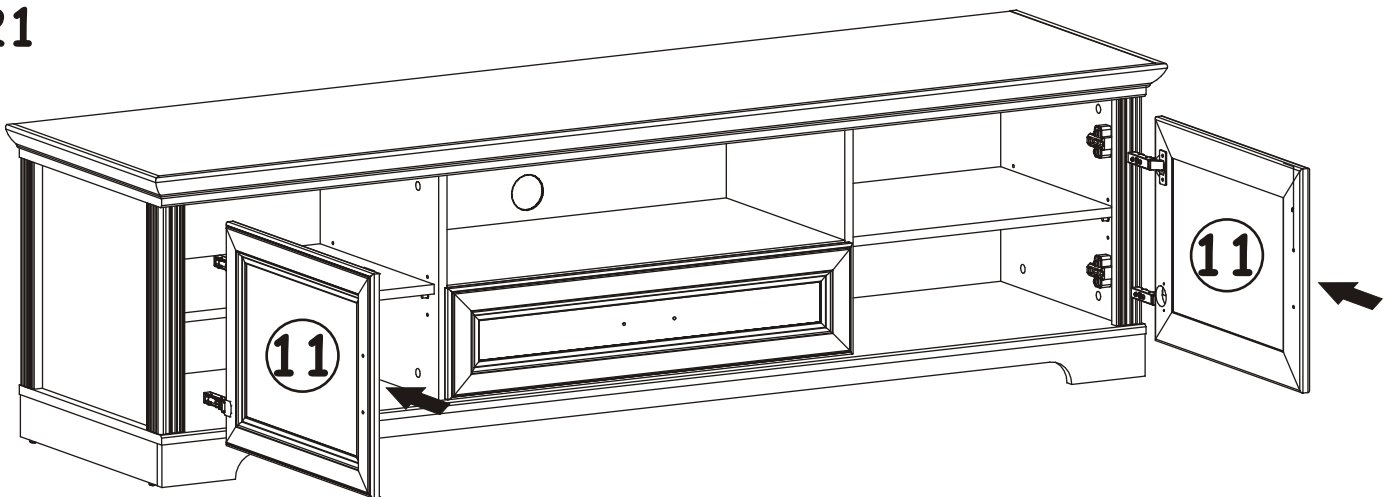
KR1	
x2	



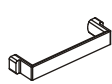
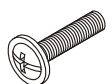
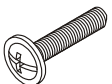
20



21



22

C19		D16		D4	
x3		x2	M4x16	x4	M4x30

