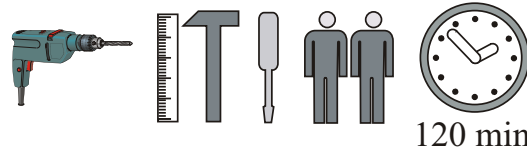
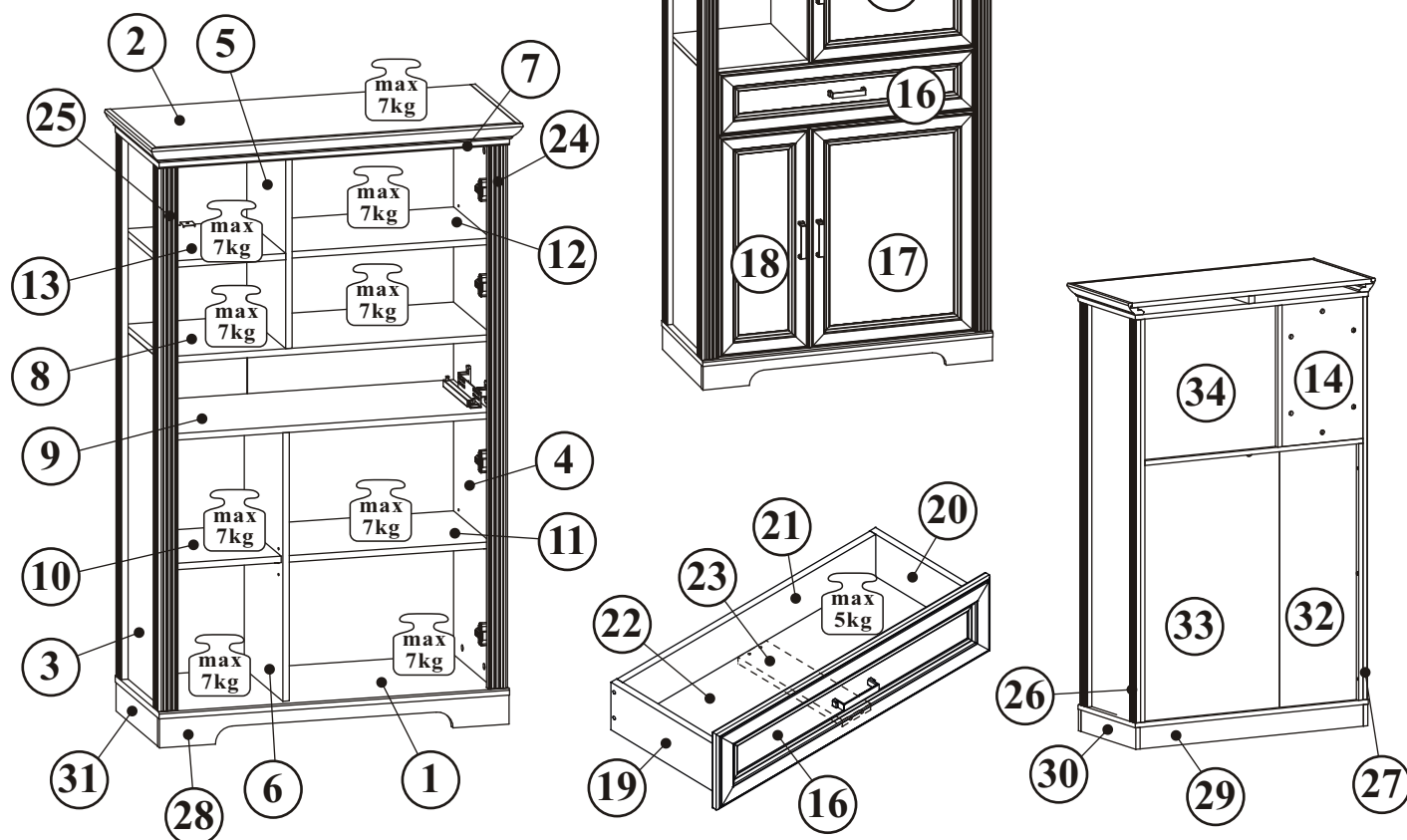
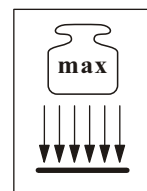


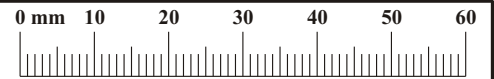
JASMIN 10G9_06



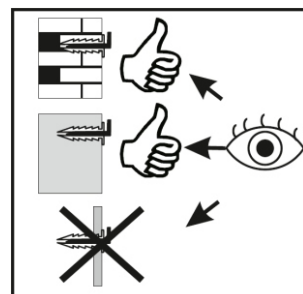
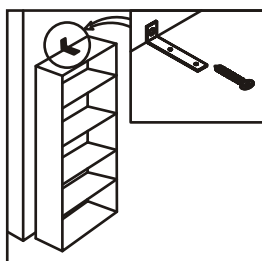
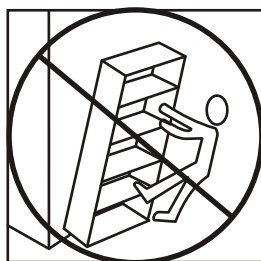
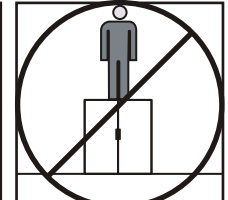
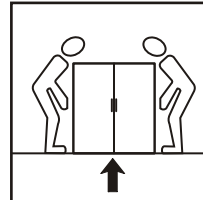
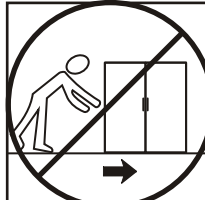
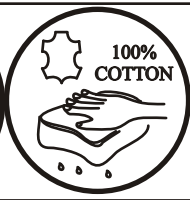
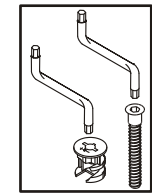
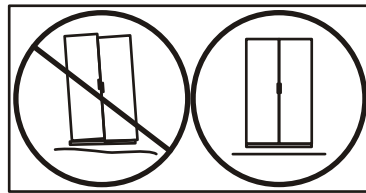
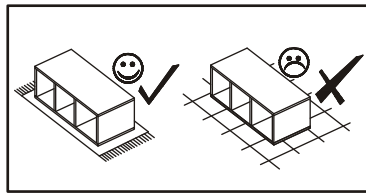
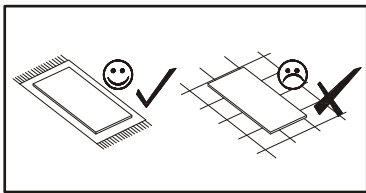
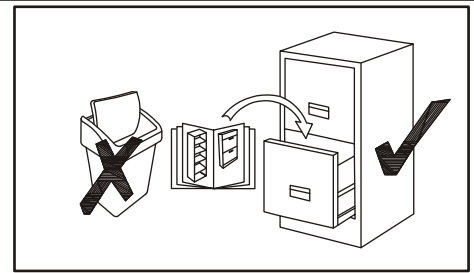
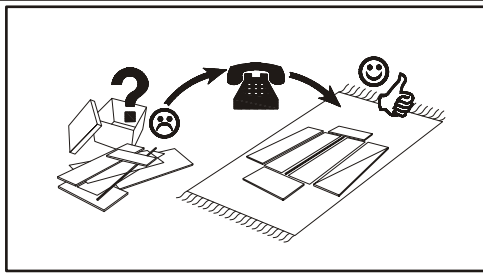
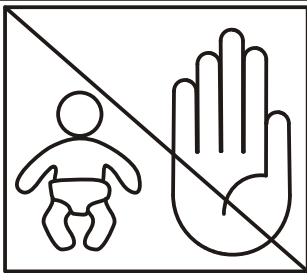
120 min

| č. | rozměr/rozmer | | balík | ks |
|----|---------------|-----|---------|-----|
| NO | Dim. | | Col.-No | Qty |
| 1 | 876 | 386 | 2 | 1 |
| 2 | 930 | 413 | 2 | 1 |
| 3 | 857 | 359 | 1 | 1 |
| 4 | 1346 | 359 | 2 | 1 |
| 5 | 473 | 359 | 1 | 1 |
| 6 | 665 | 339 | 1 | 1 |
| 7 | 876 | 386 | 3 | 1 |
| 8 | 820 | 359 | 3 | 1 |
| 9 | 804 | 339 | 3 | 1 |
| 10 | 281 | 324 | 1 | 1 |
| 11 | 507 | 324 | 1 | 1 |
| 12 | 500 | 324 | 1 | 1 |
| 13 | 304 | 342 | 1 | 1 |
| 14 | 473 | 304 | 1 | 1 |
| 15 | 476 | 496 | 3 | 1 |
| 16 | 770 | 188 | 3 | 1 |
| 17 | 668 | 496 | 3 | 1 |
| 18 | 668 | 270 | 3 | 1 |

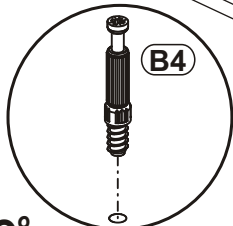
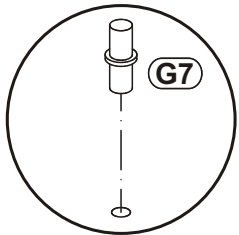
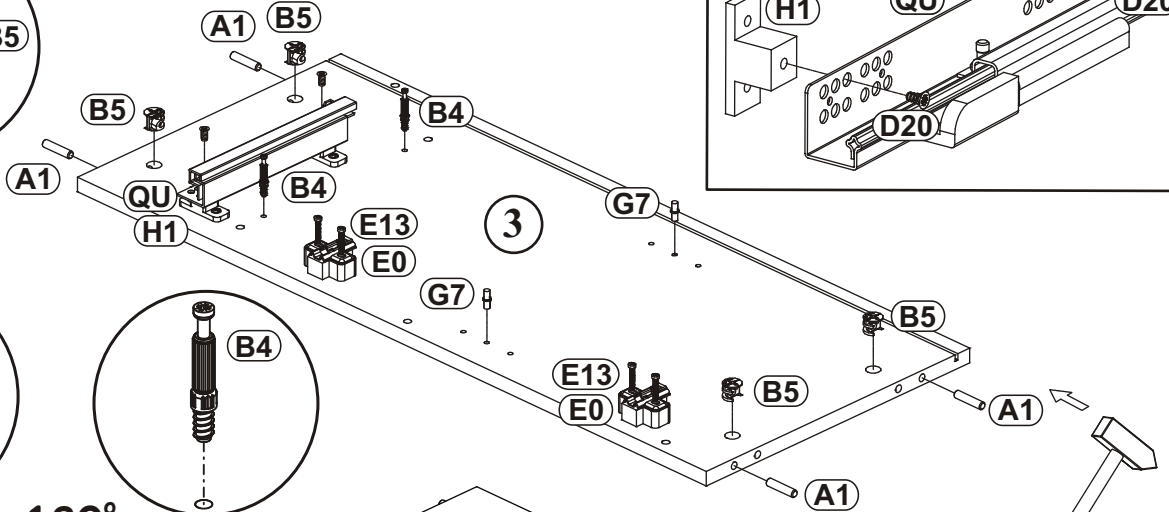
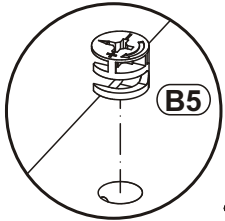
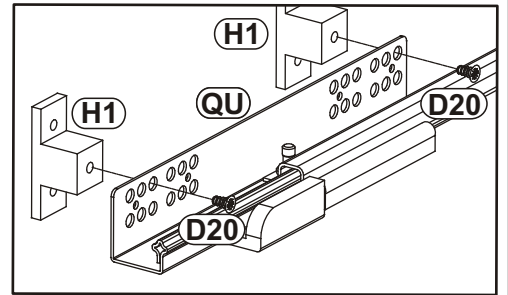
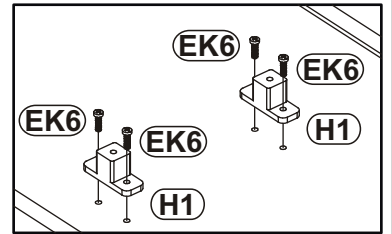
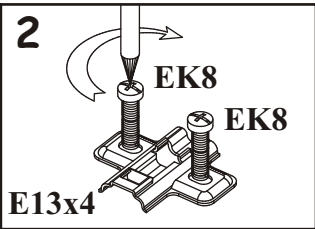
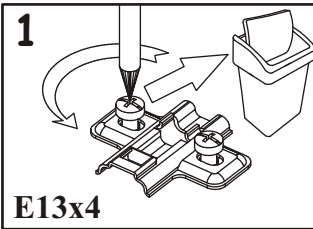
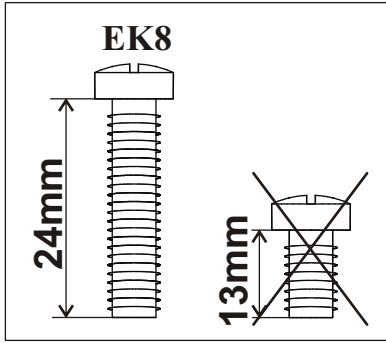
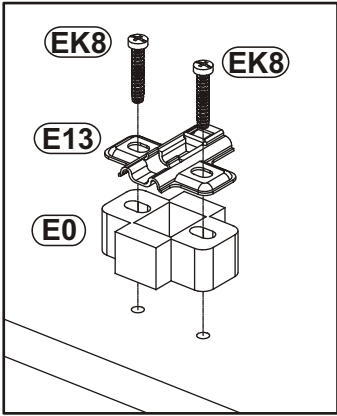
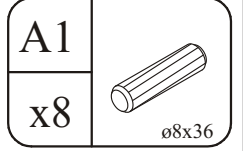
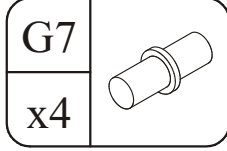
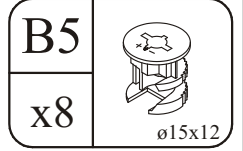
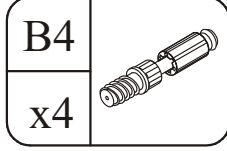
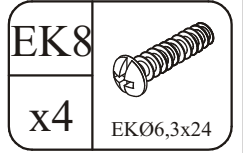
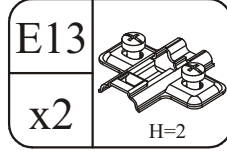
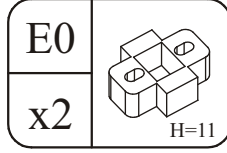
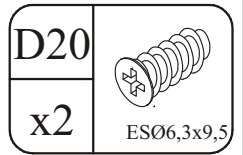
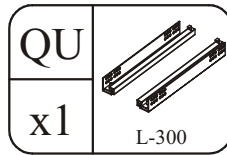
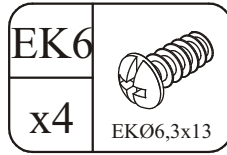
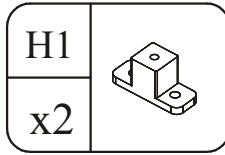
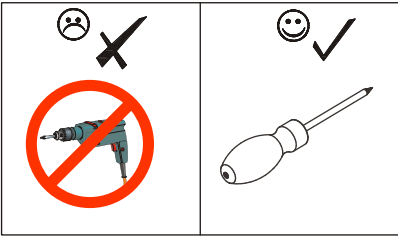
| č. | rozměr/rozmer | | balík | ks |
|----|---------------|-----|---------|-----|
| NO | Dim. | | Col.-No | Qty |
| 19 | 300 | 120 | 1 | 1 |
| 20 | 300 | 120 | 1 | 1 |
| 21 | 714 | 106 | 1 | 1 |
| 22 | 304 | 726 | 1 | 1 |
| 23 | 299 | 80 | 1 | 1 |
| 24 | 1346 | 49 | 2 | 1 |
| 25 | 1346 | 49 | 2 | 1 |
| 26 | 1346 | 43 | 2 | 1 |
| 27 | 1346 | 43 | 2 | 1 |
| 28 | 874 | 72 | 3 | 1 |
| 29 | 840 | 72 | 1 | 1 |
| 30 | 369 | 72 | 1 | 1 |
| 31 | 369 | 72 | 1 | 1 |
| 32 | 867 | 294 | 3 | 1 |
| 33 | 867 | 521 | 3 | 1 |
| 34 | 512 | 483 | 3 | 1 |



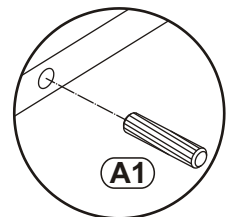
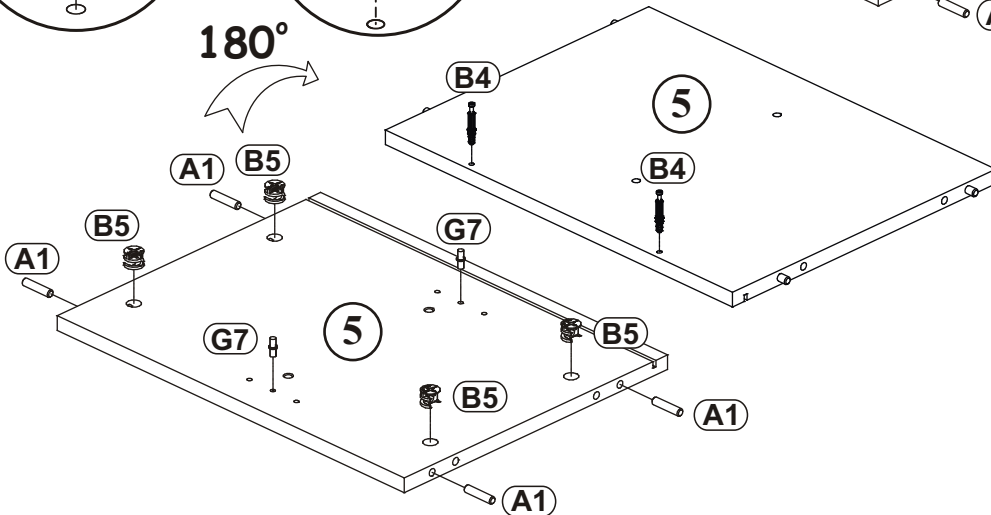
| | | | | | |
|-------------------------|-------------------------|------------------------|-------------------------|------------------------|------------------|
| A1 x41 ø8x36 | B4 x41 | B5 x41 ø15x12 | G5 x41 | G7 x12 | G2 x1 |
| S1 x22 | E17 x6 H=16 | E13 x6 H=2 | UP6 x2 UPØ4x30 | L1 x1 | KR1 x1 |
| EK8 x12 EKØ6,3x24 | D10 x16 USØ3,5x13 | UP13 x10 UPØ3x16 | D20 x4 ESØ6,3x9,5 | QU x1 L-300 | I2 x6 |
| B11 x10 Ø7x50 | B14 x21 Ø7x30 | G4 x22 | KM1 x1 | G16 x4 | E0 x6 H=11 |
| C19 x4 | D34 x2 M4x16 | D4 x6 M4x30 | OS3 x1 | EK6 x8 EKØ6,3x13 | H1 x4 |
| UP9 x4 UPØ3,5x16 | I9 x1 H-60 mm. | G12 x7 Ø14 | | | |



1

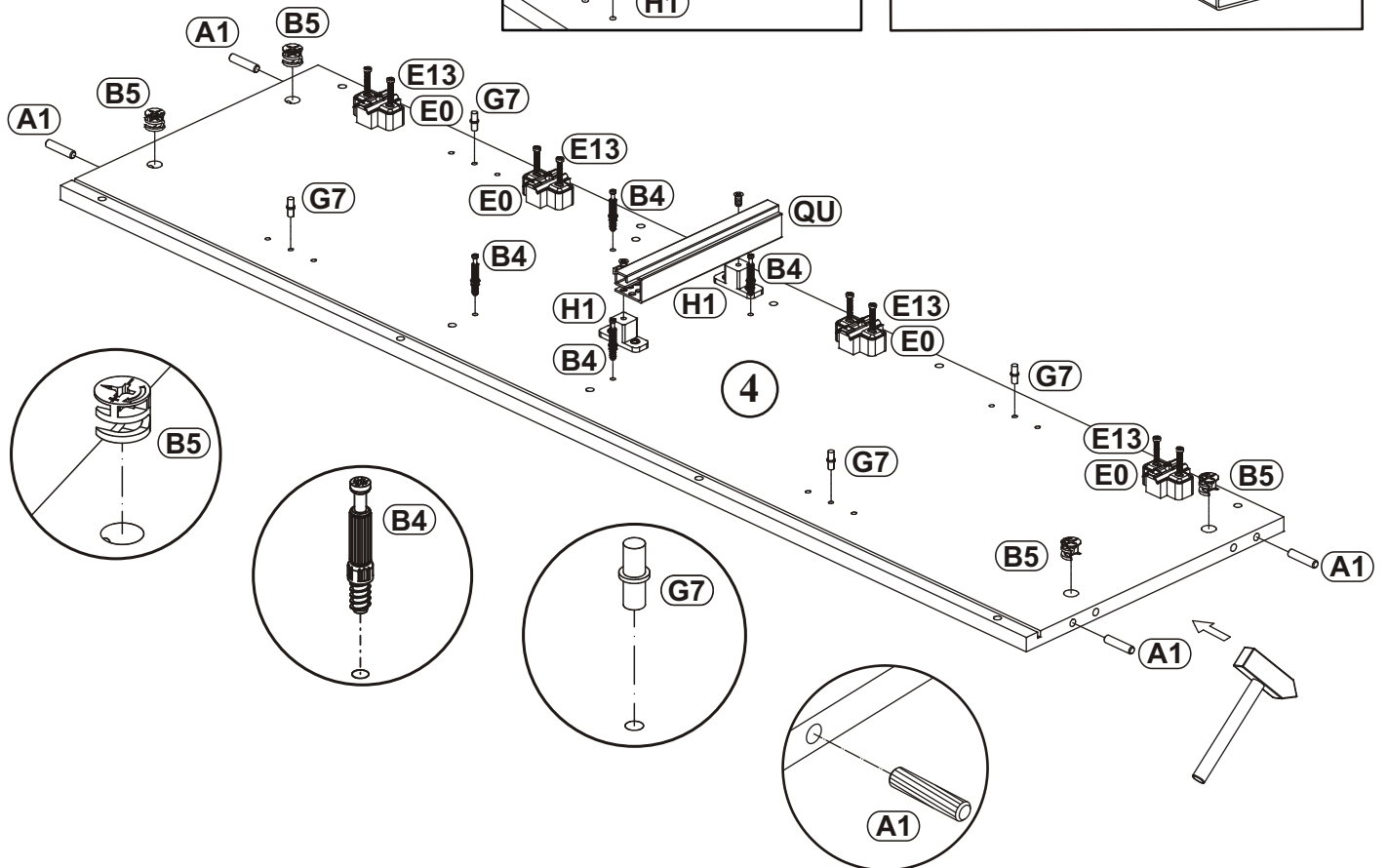
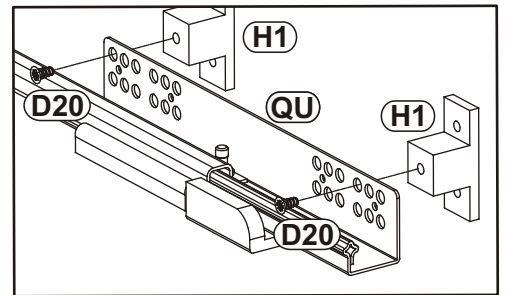
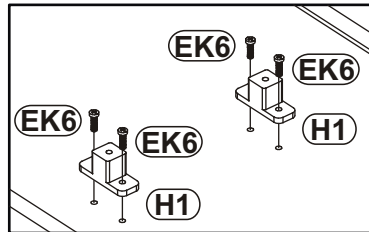
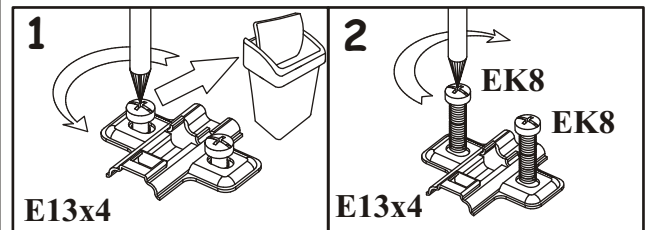
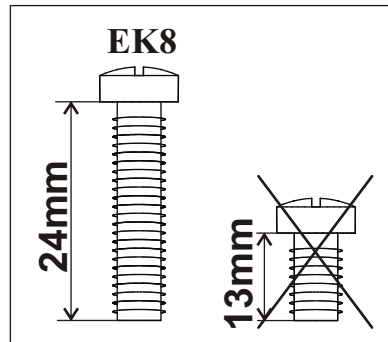
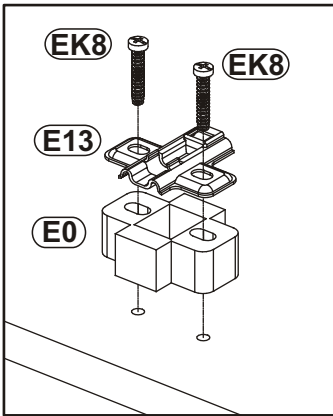
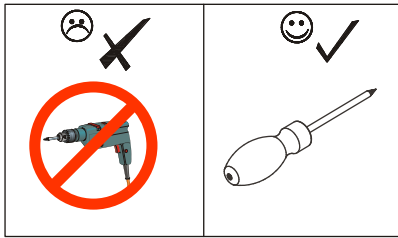


180°

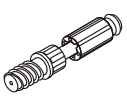
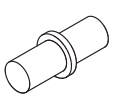


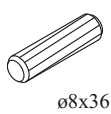

2

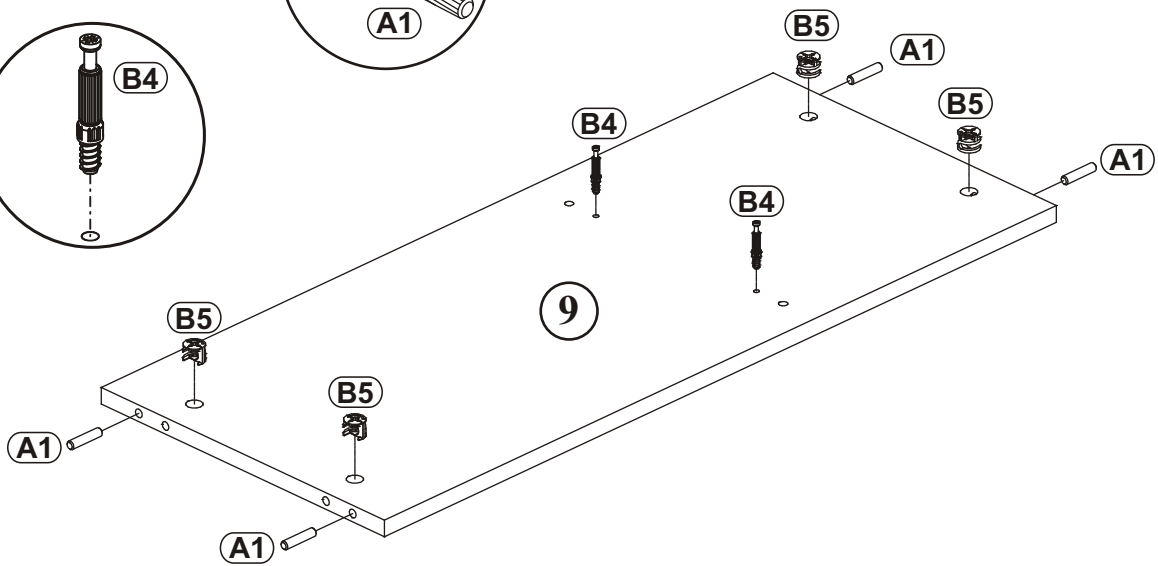
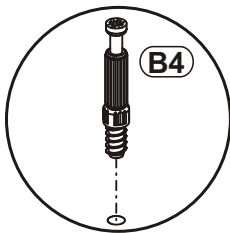
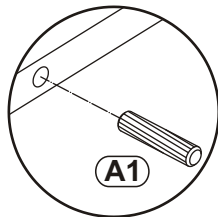
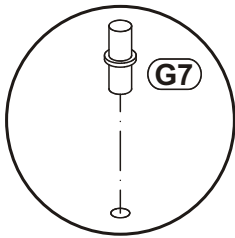
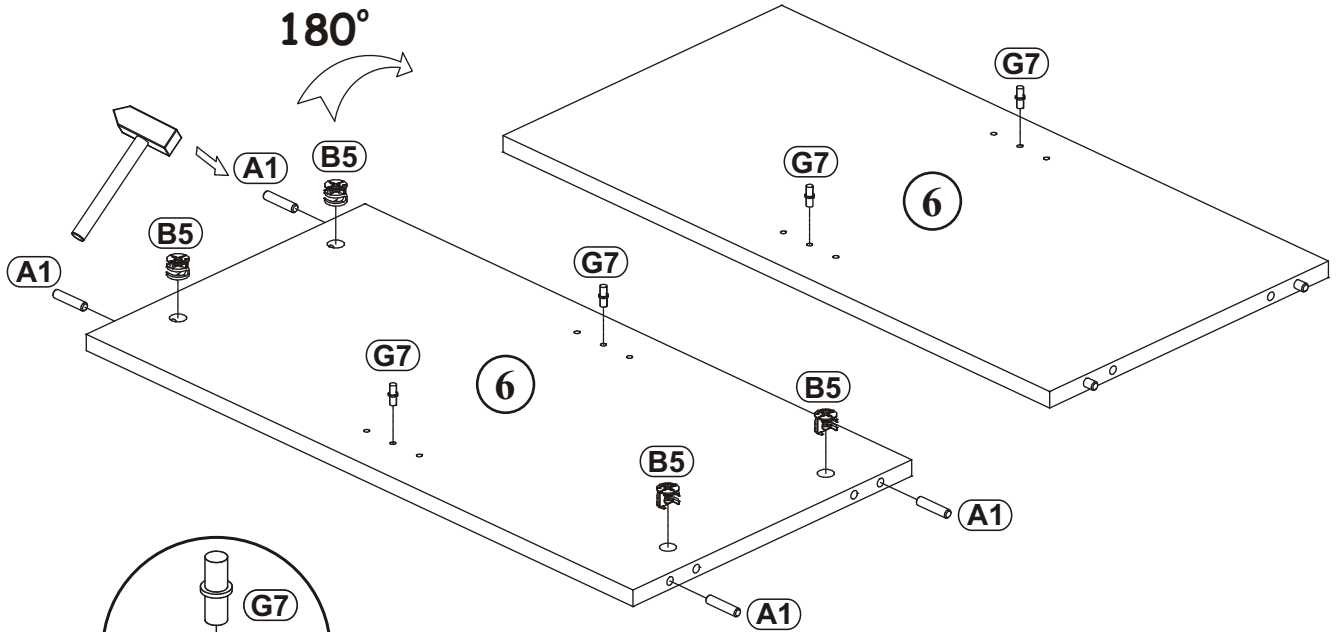
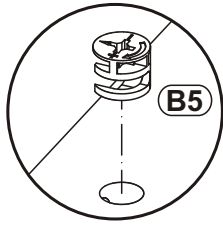
| | | | | | | | |
|----------|--|------------------------|--|------------------------|--|-------------------------|--|
| H1 x2 | | EK6 x4 EKØ6,3x13 | | QU x1 L-300 | | D20 x2 ESØ6,3x9,5 | |
| E0 x4 | | E13 x4 H=2 | | EK8 x8 EKØ6,3x24 | | B4 x4 | |
| | | | | | | B5 x4 ø15x12 | |
| | | | | G7 x4 | | A1 x4 ø8x36 | |



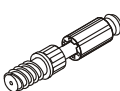
3

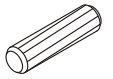
| | | | |
|----|---|----|---|
| B4 |  | G7 |  |
| x2 | | x4 | |


| | | | |
|----|---|----|---|
| A1 |  | B5 |  |
| x8 | ø8x36 | x8 | ø15x12 |

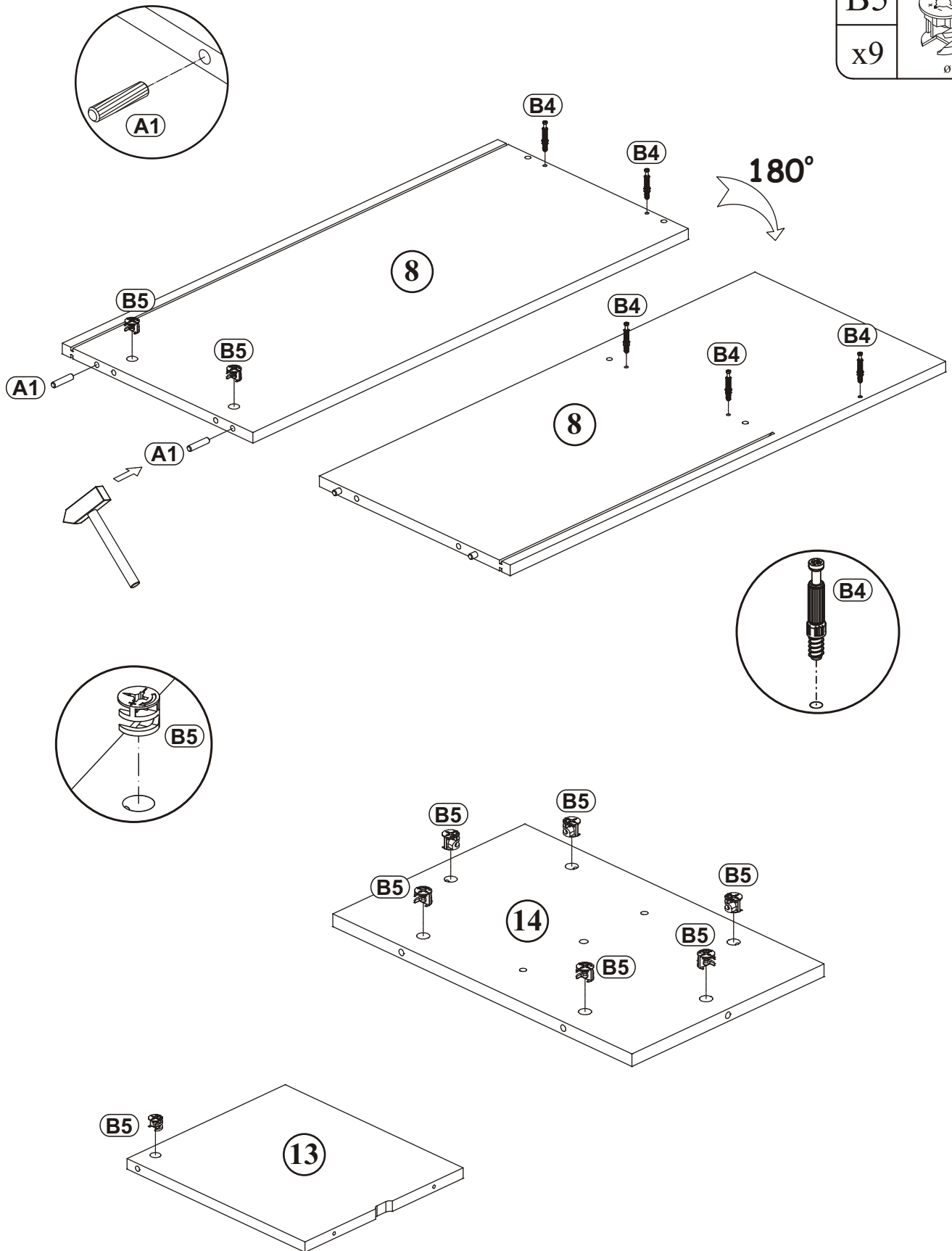


4

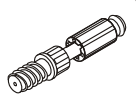
| | |
|----|---|
| B4 |  |
| x5 | |

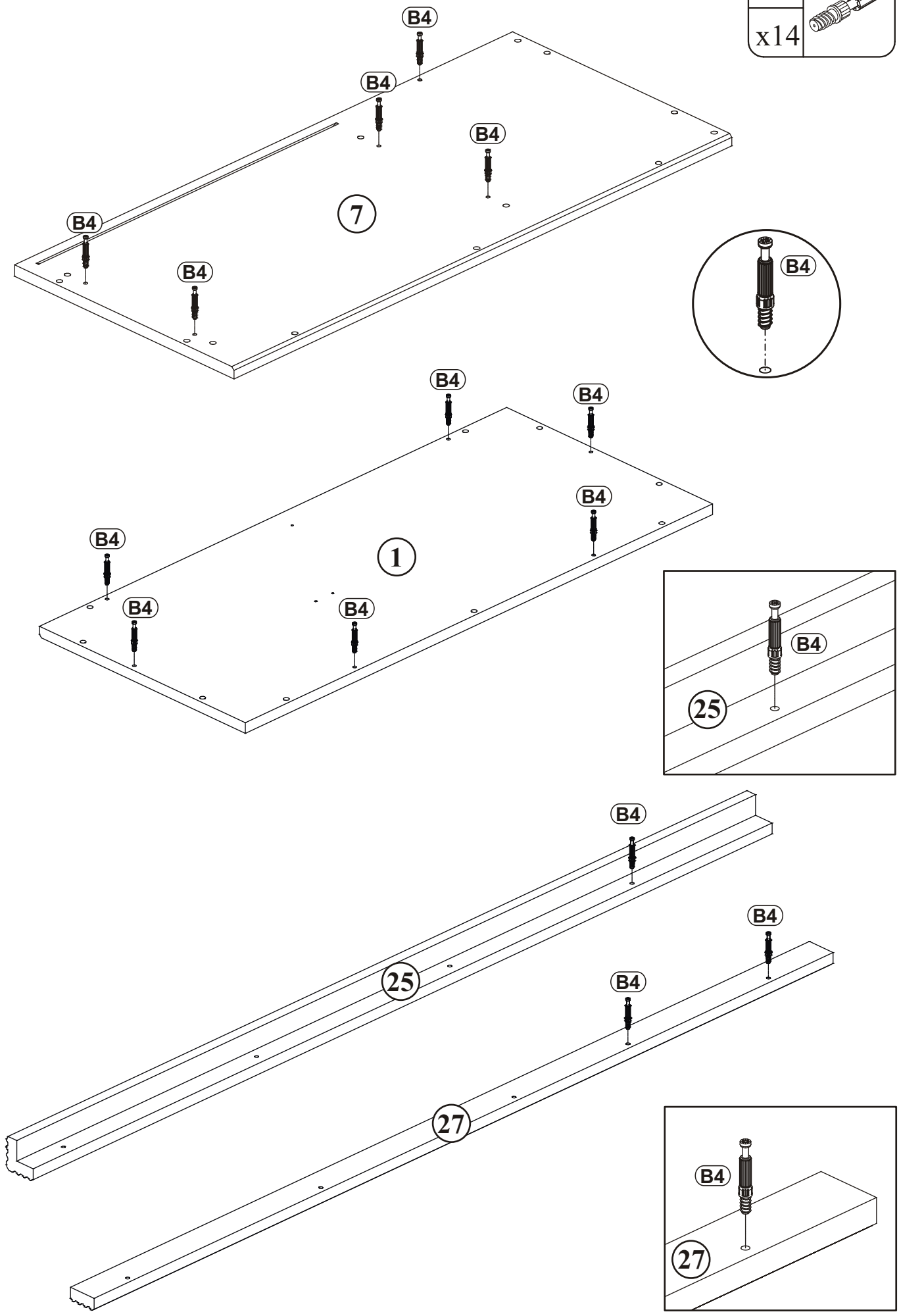
| | |
|----|---|
| A1 |  |
| x2 | ø8x36 |

| | |
|----|---|
| B5 |  |
| x9 | ø15x12 |

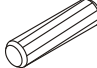

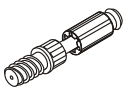


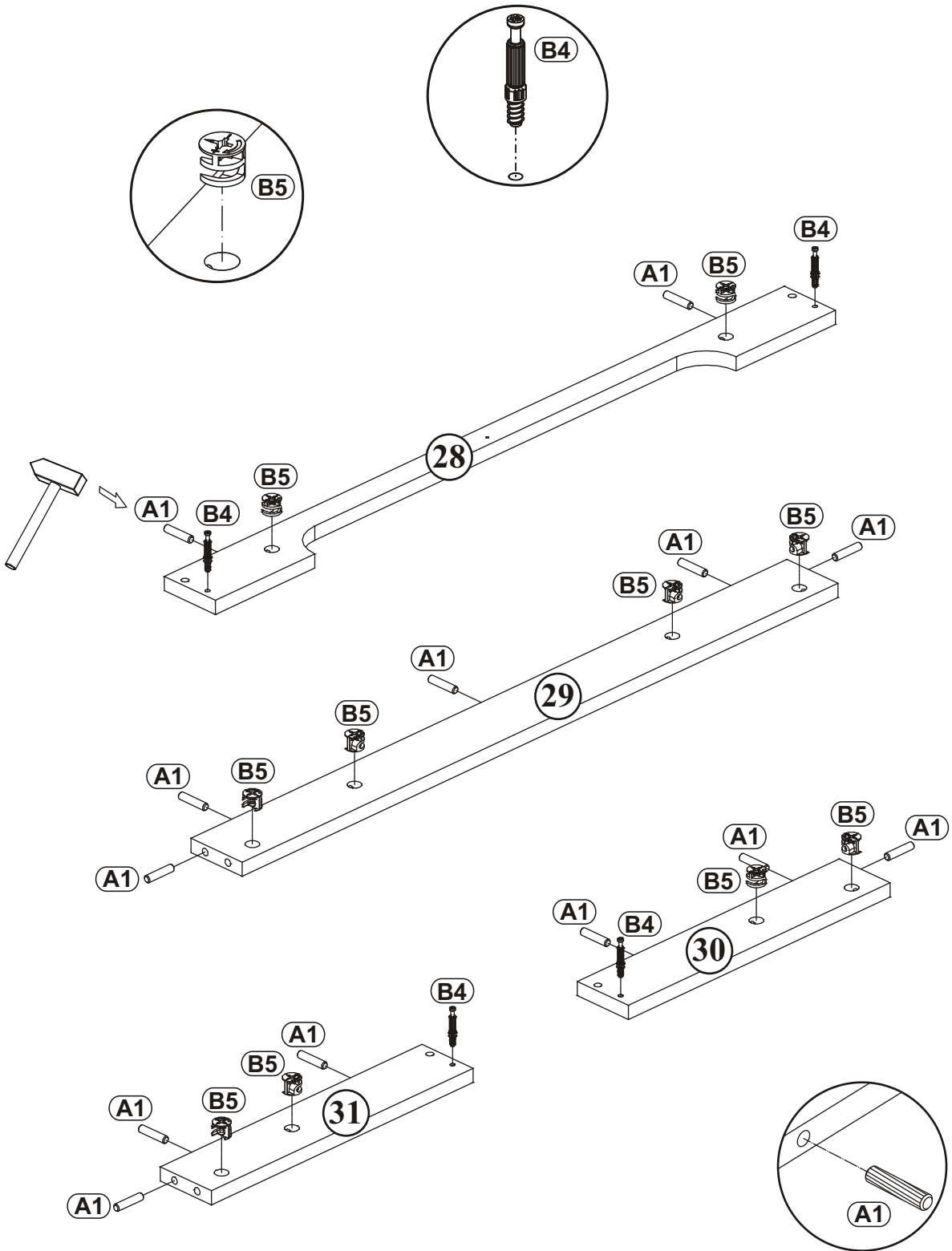
5

| | |
|-----|---|
| B4 |  |
| x14 | |

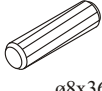



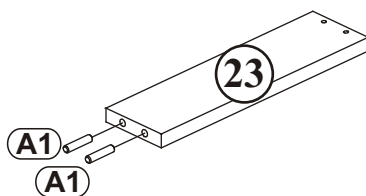
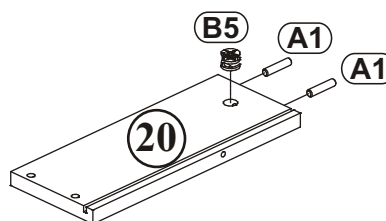
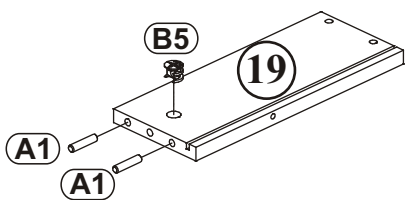
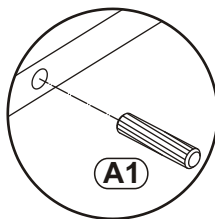
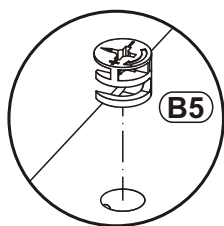
6

| | | | | | |
|-----|--|-----|---|----|---|
| A1 |  | B5 |  | B4 |  |
| x13 | ø8x36 | x10 | ø15x12 | x4 | |

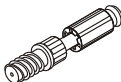


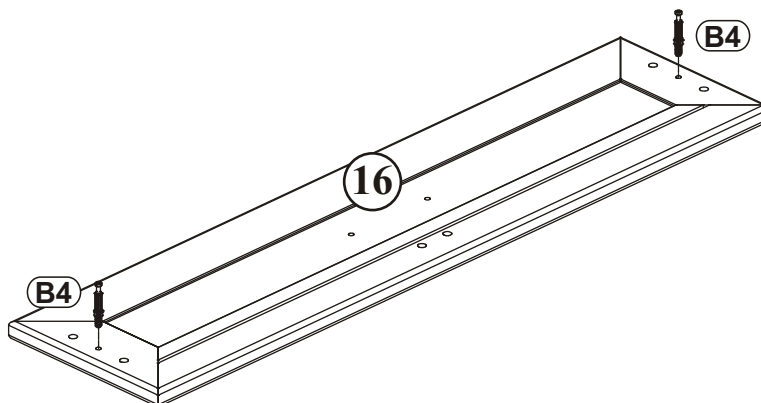
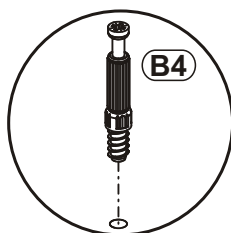
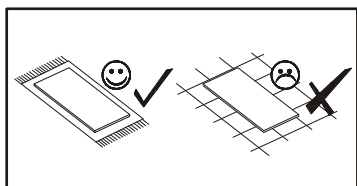
7

| | | | |
|----|---|-------|--|
| A1 |  | B5 |  |
| x6 | | ø8x36 | |

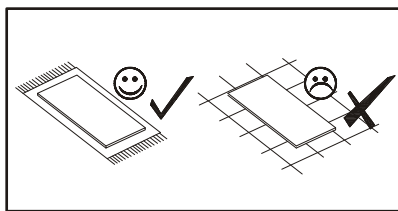


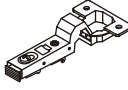
8

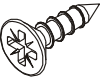
| | |
|----|---|
| B4 |  |
| x2 | |

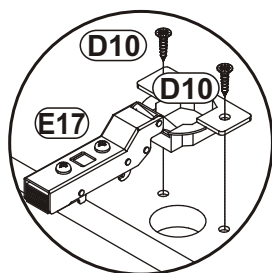
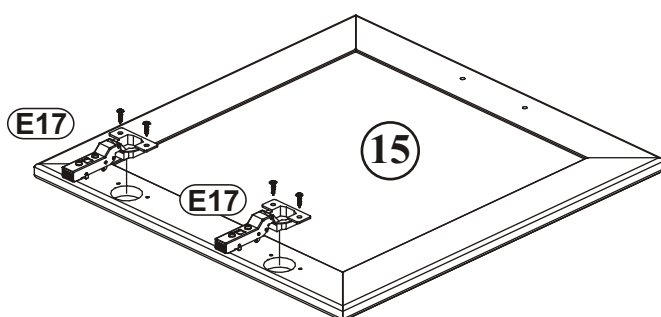
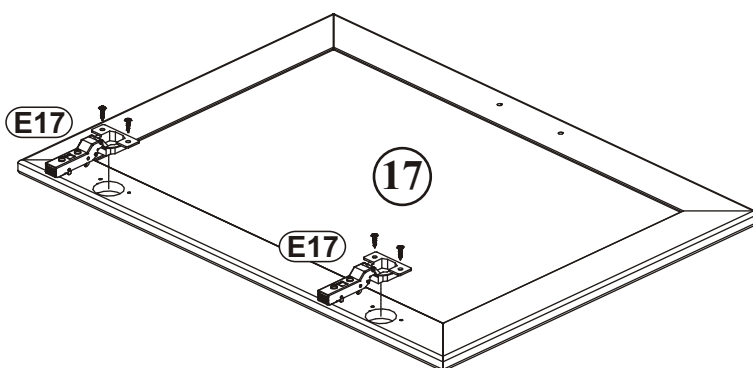
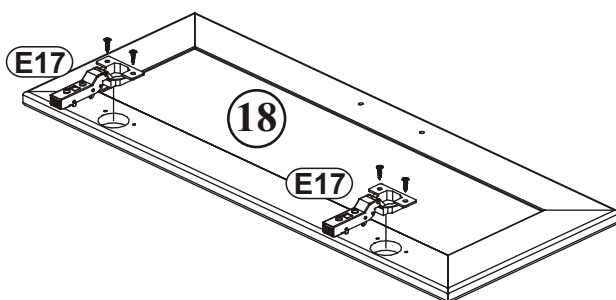


9




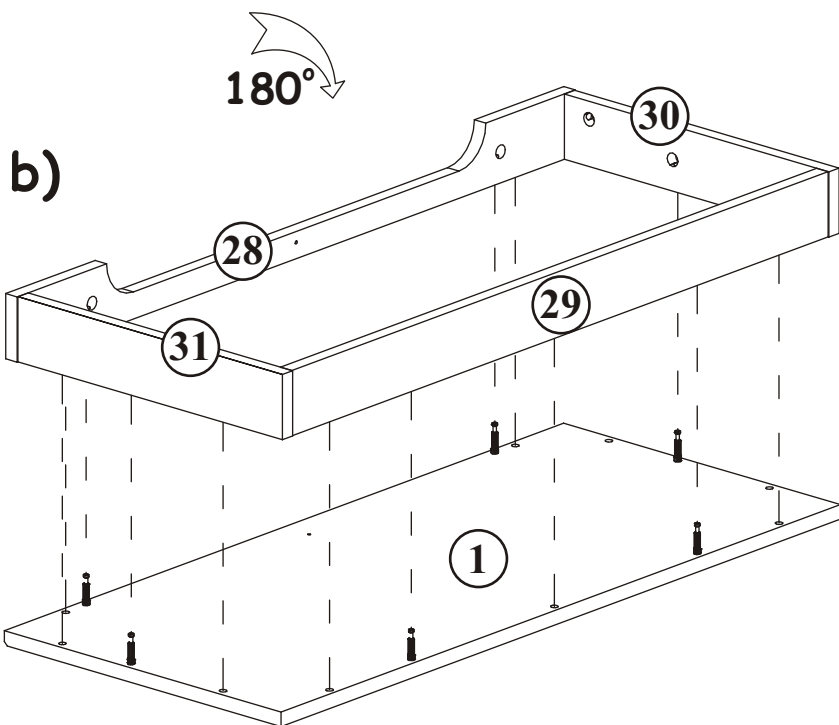
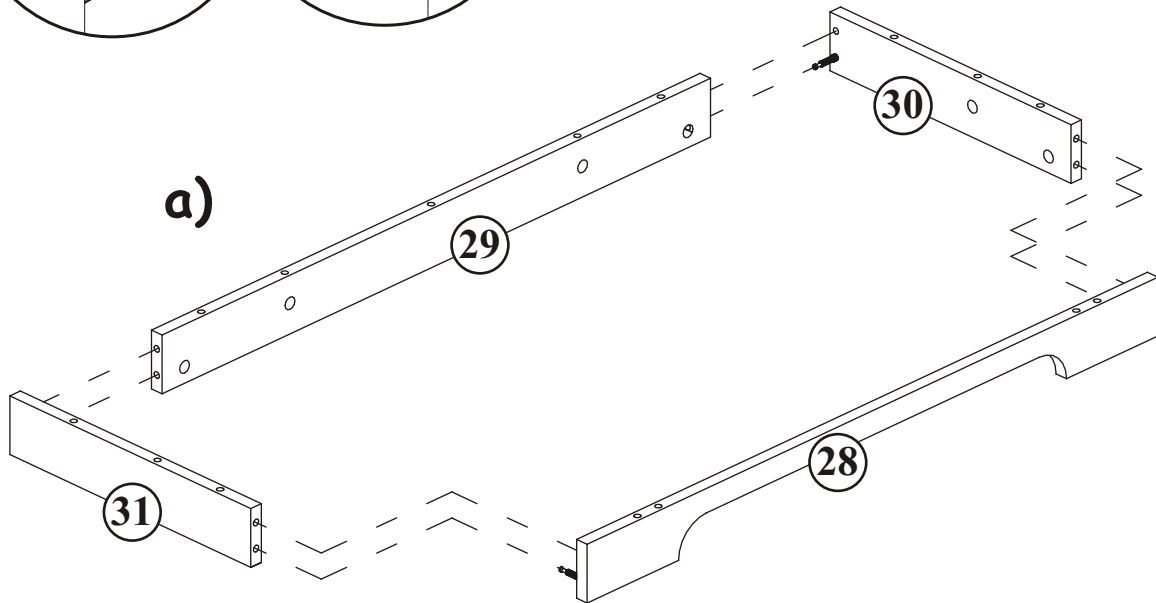
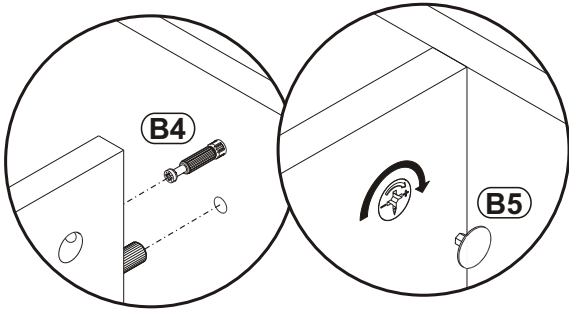
| | |
|-----|---|
| E17 |  |
| x6 | H=16 |

| | |
|-----|---|
| D10 |  |
| x12 | USØ3,5x13 |

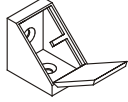

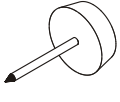


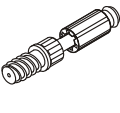


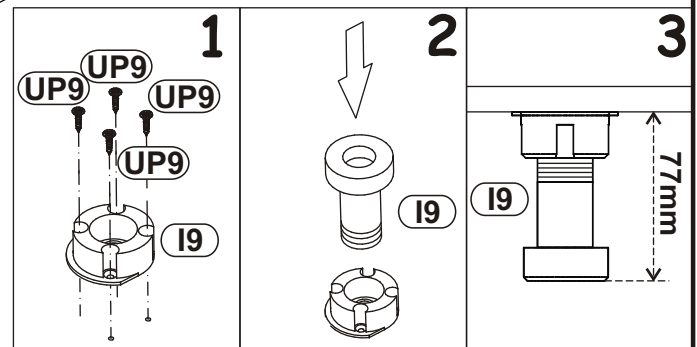
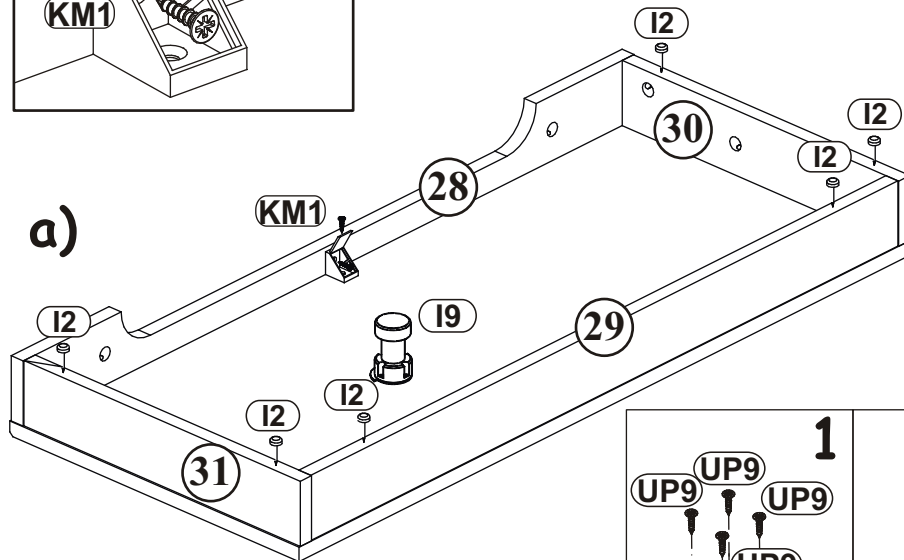
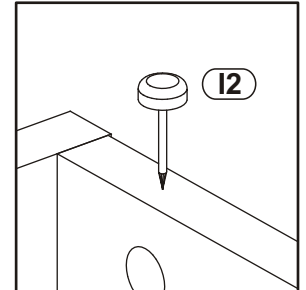
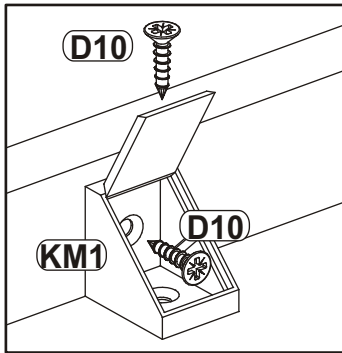
10

| | |
|-----|---|
| G5 |  |
| x10 | |

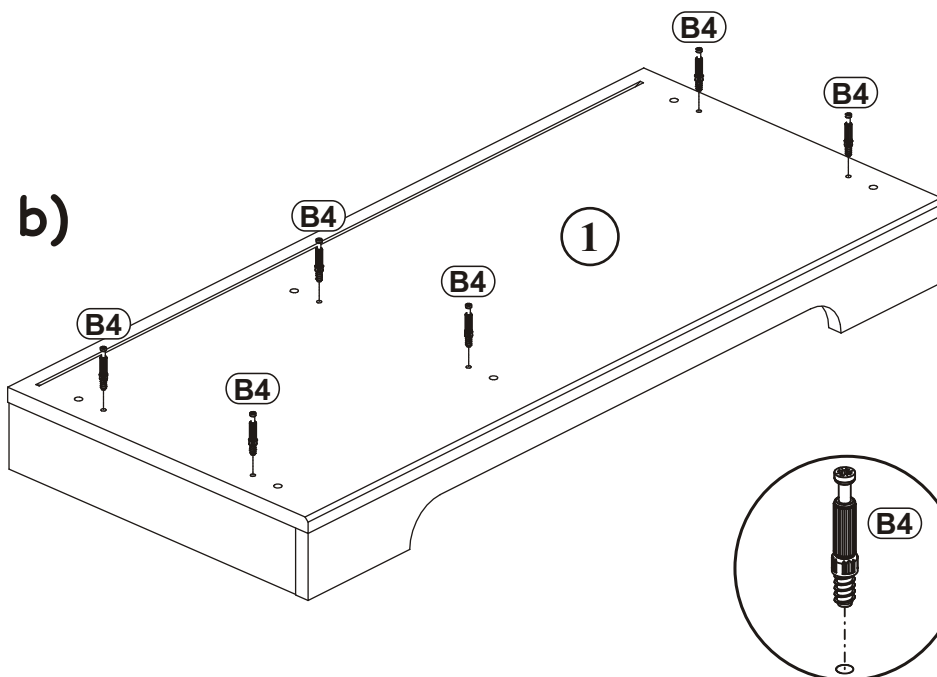


11


| | | | | | |
|-----------|--|-----------|--|----------|---|
| KM1 x1 |  | D10 x2 |  USØ3,5x13 | I2 x6 |  |
| I9 x1 |  H-60 mm. | UP9 x4 |  UPØ3,5x16 | B4 x6 |  |




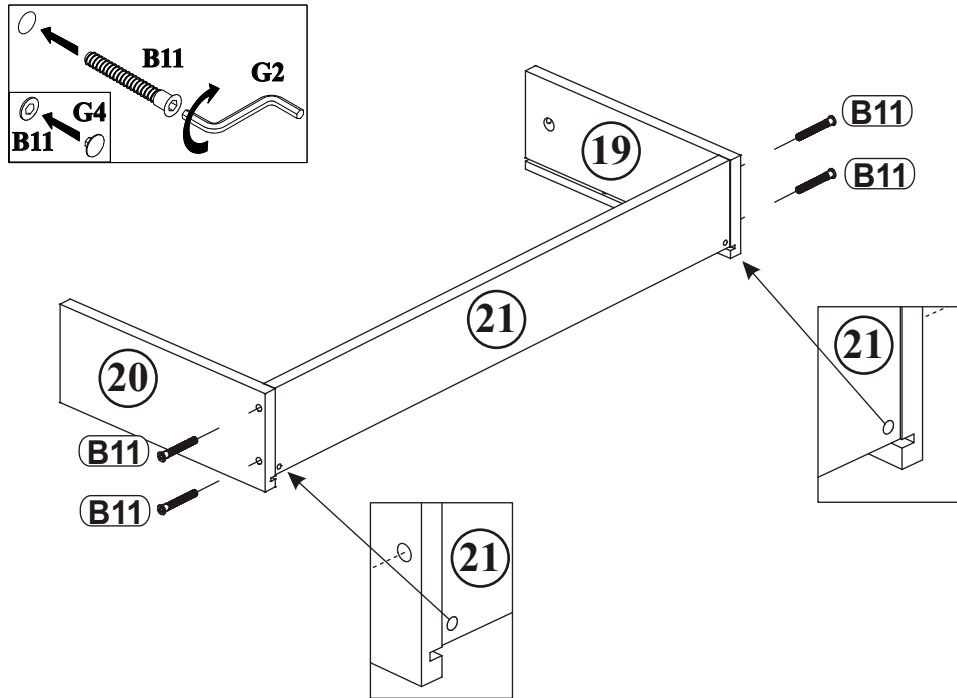
180°




12

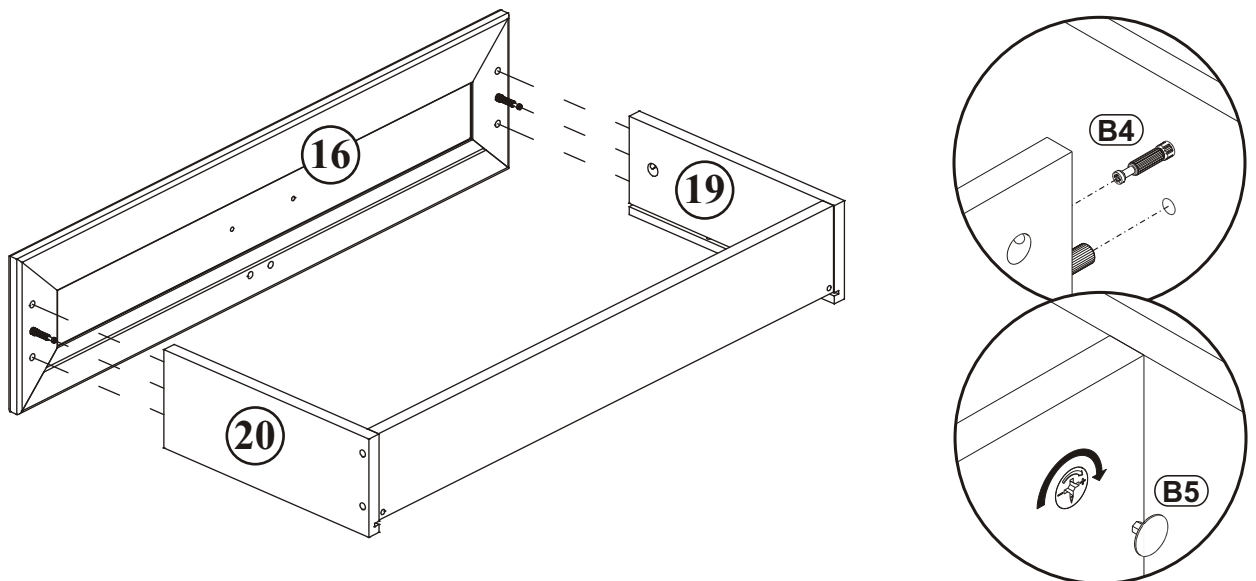
| | |
|----|---|
| G4 |  |
| x4 | |

| | |
|-----|---|
| B11 |  |
| x4 | Ø7x50 |

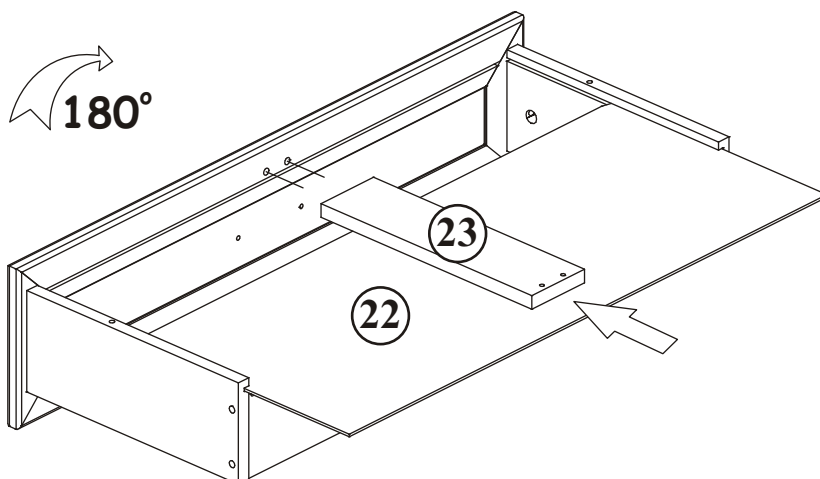


13

| | |
|----|---|
| G5 |  |
| x2 | |

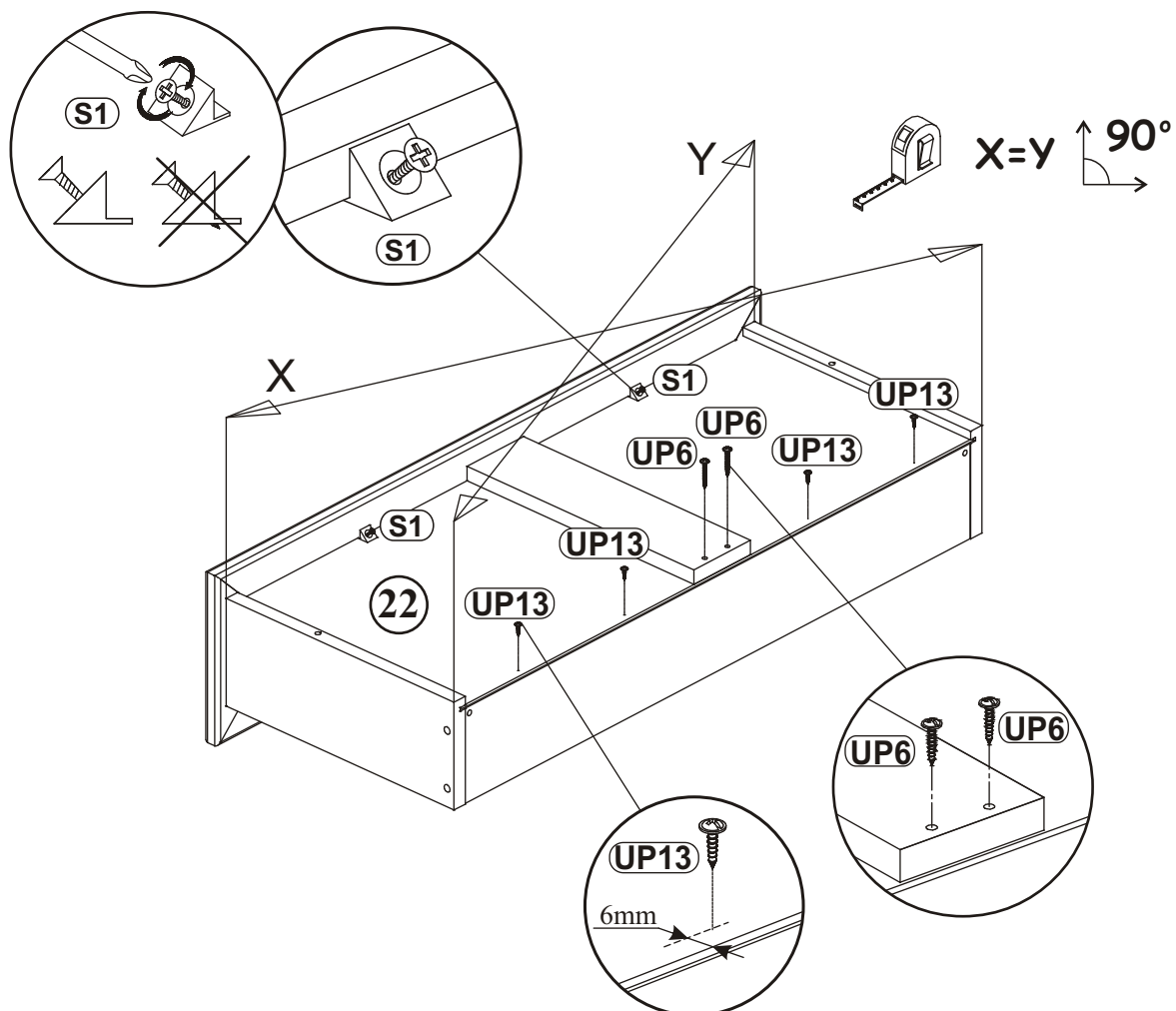


14

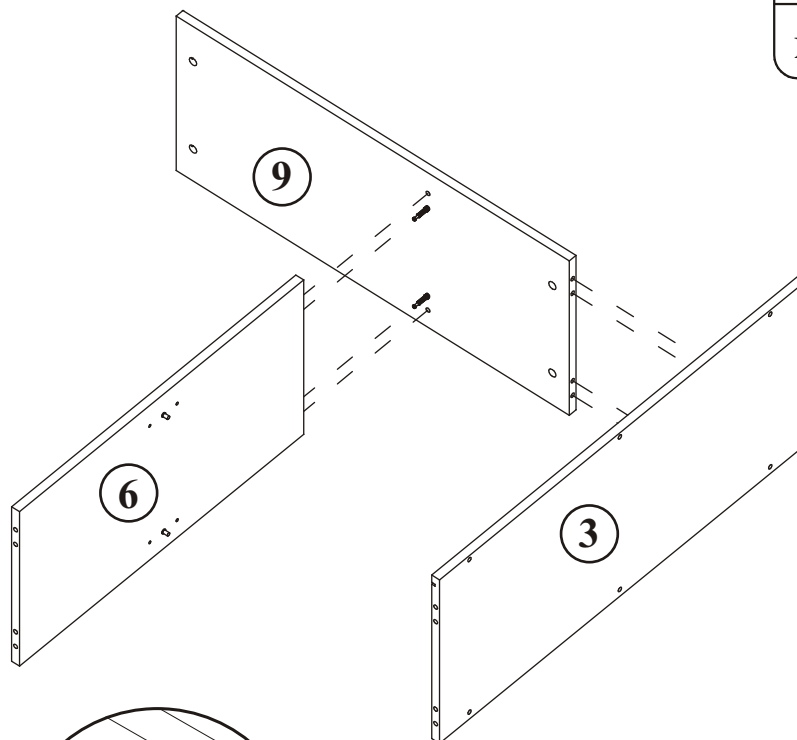
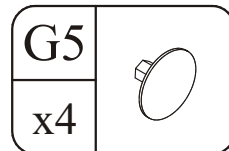


15

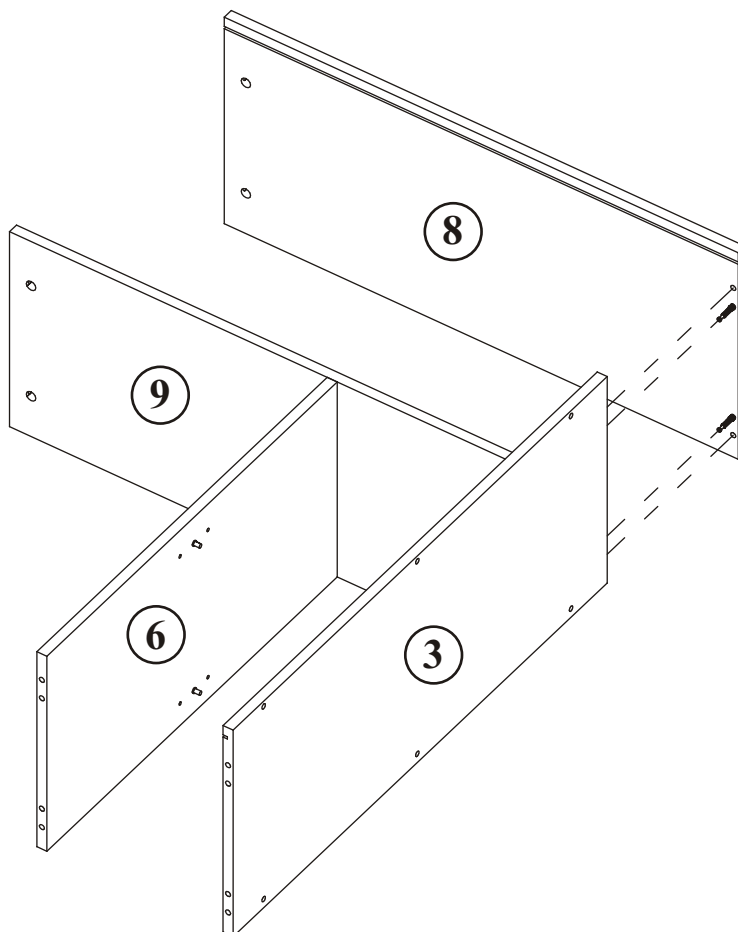
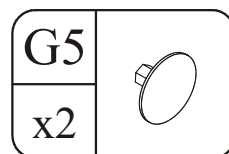
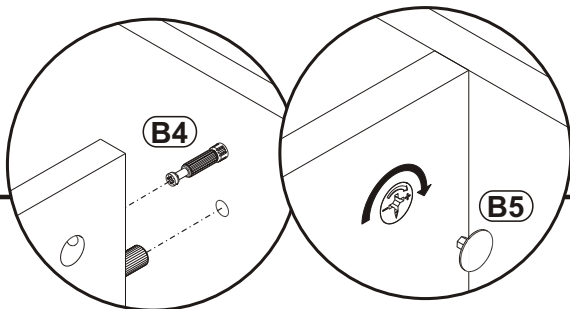
| | | | | | |
|----|--|-----|---------|------|---------|
| S1 | | UP6 | | UP13 | |
| x2 | | x2 | UPØ4x30 | x4 | UPØ3x16 |




16

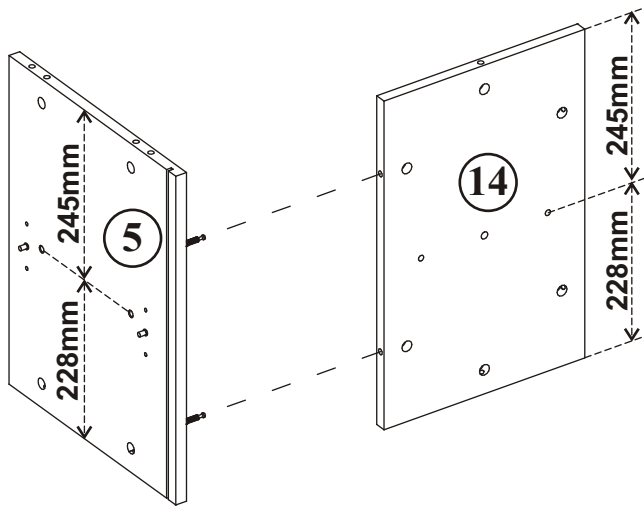
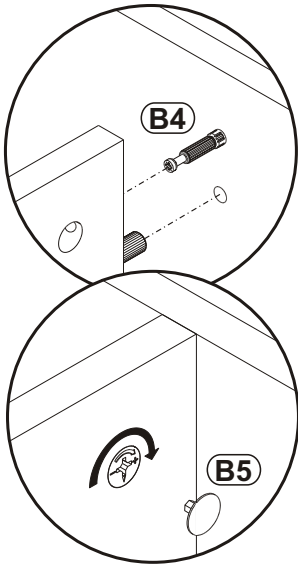


17

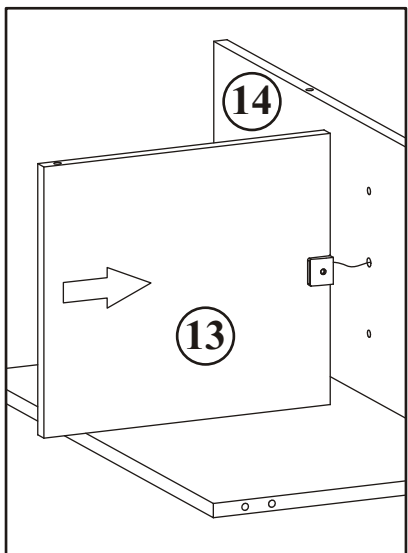
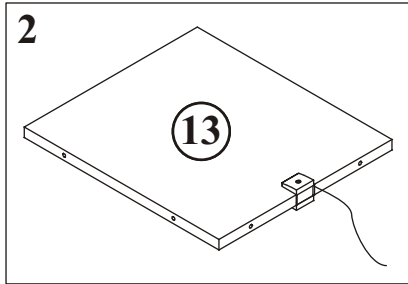
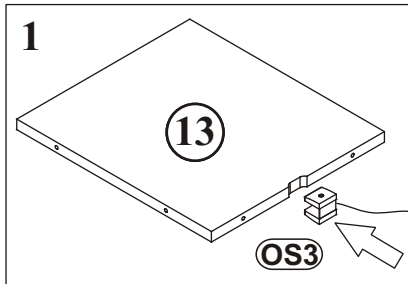


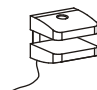
| | |
|----|---|
| G5 |  |
| x2 | |


18




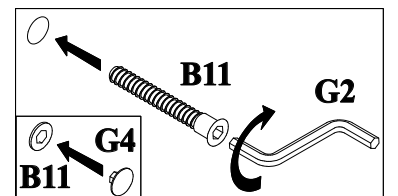
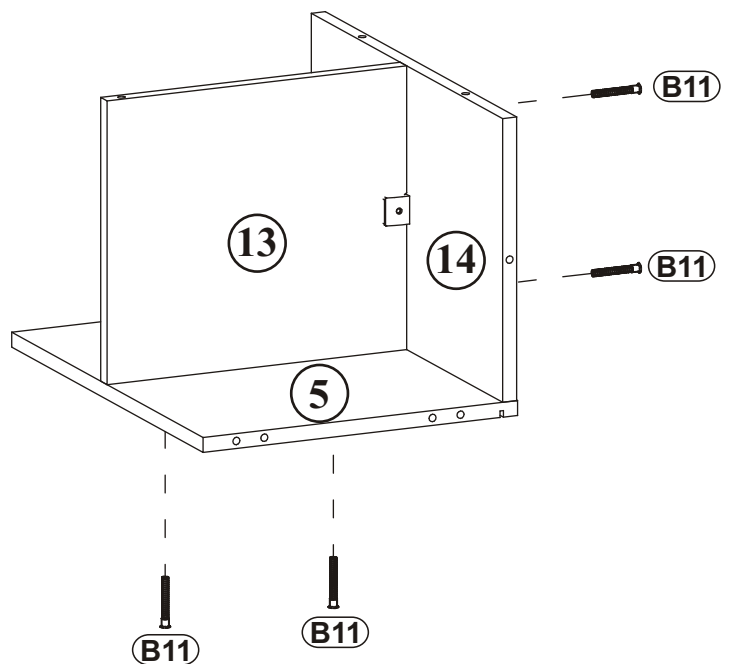
19



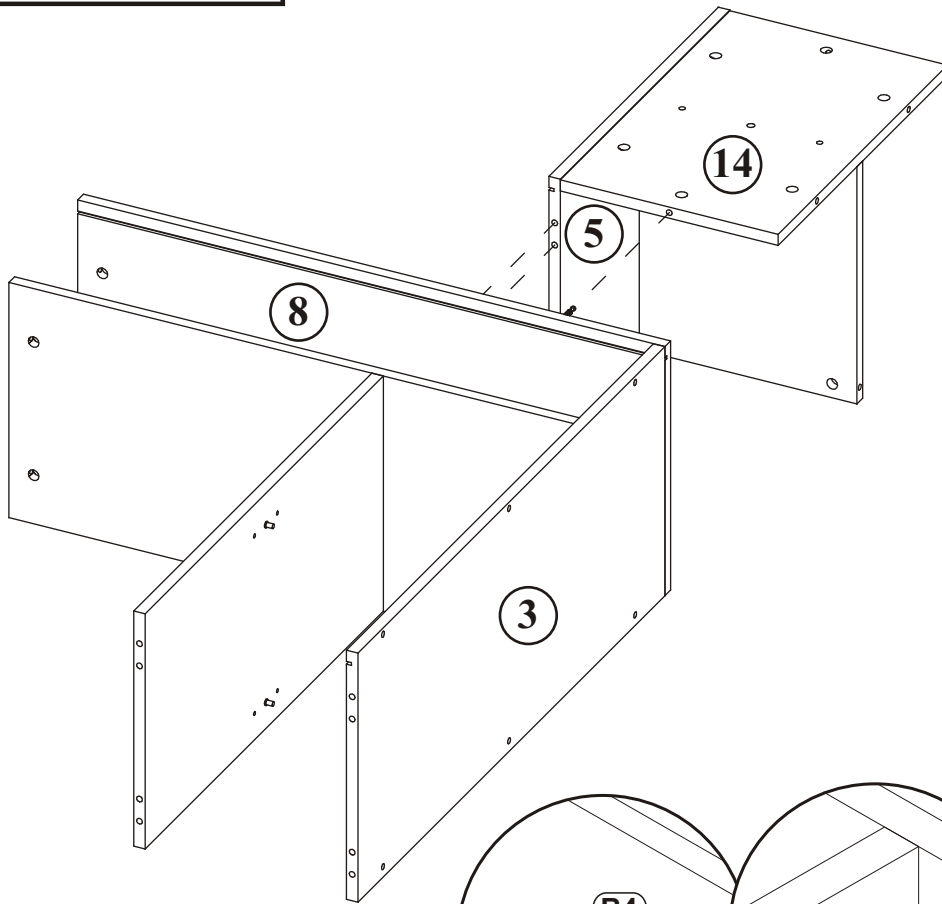
| | |
|-----|---|
| OS3 |  |
| x1 | |


| | |
|----|---|
| G4 |  |
| x4 | |

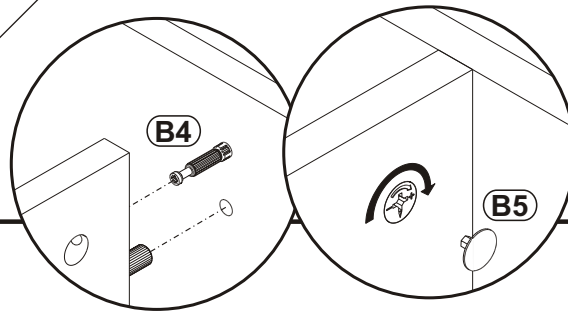
| | |
|-----|--|
| B11 |  |
| x4 | Ø7x50 |



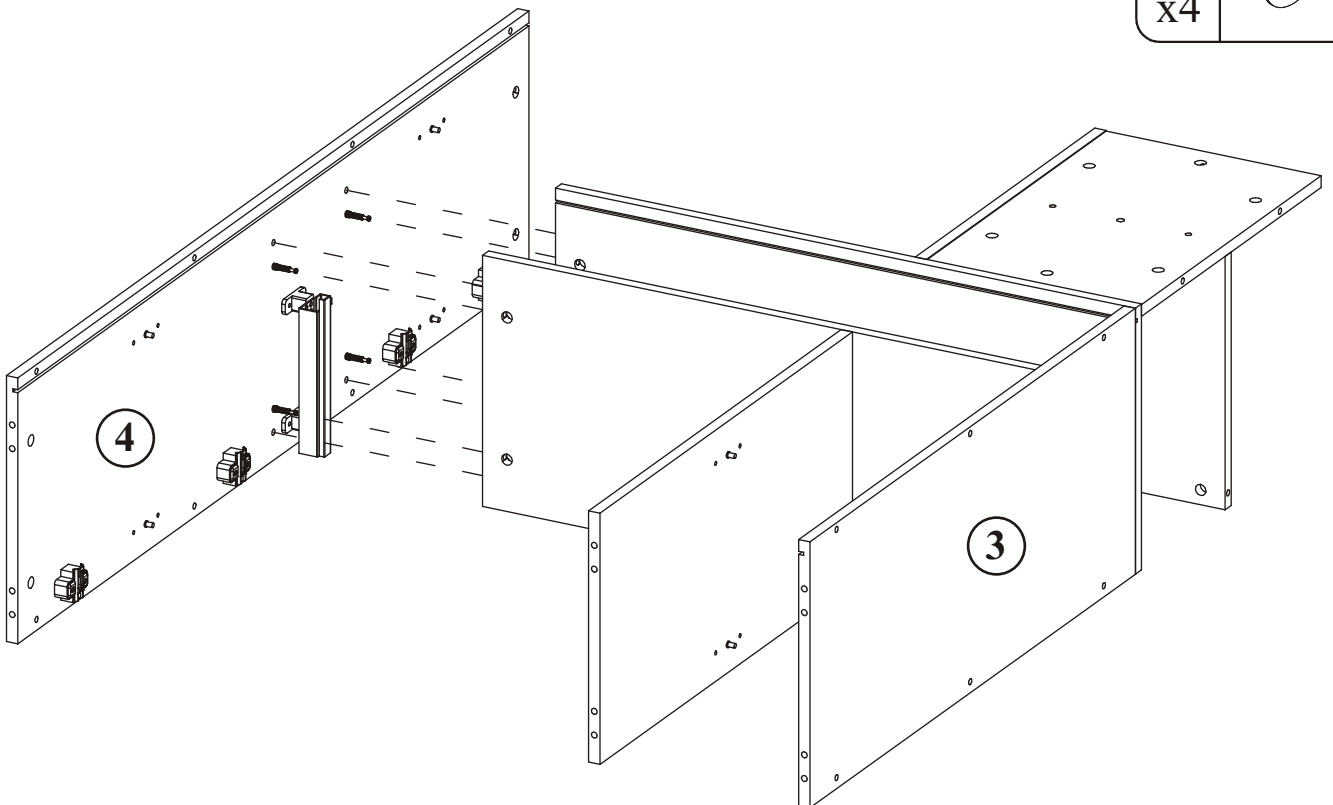
20




| | |
|----|---|
| G5 |  |
| x3 | |






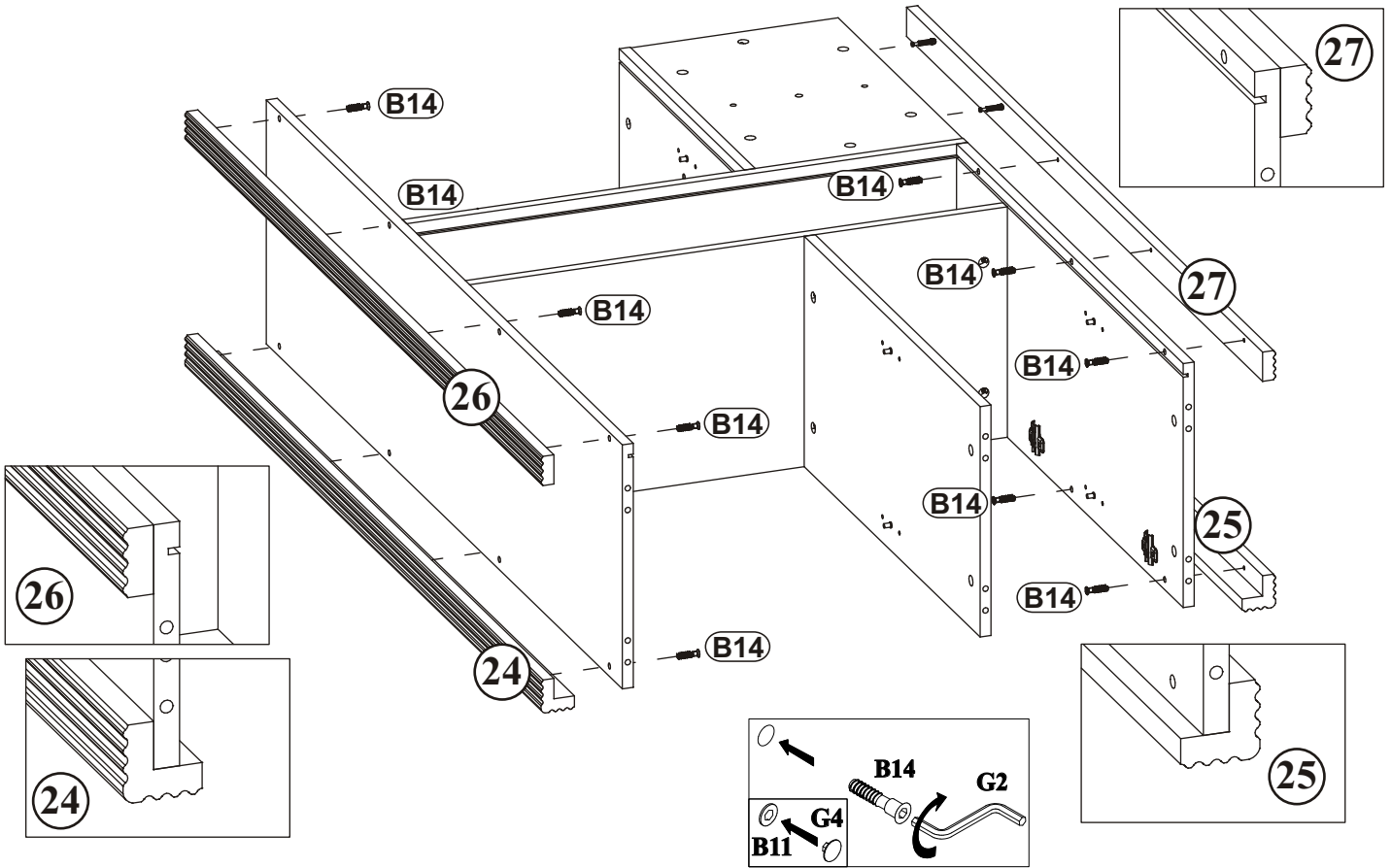
21





| | |
|----|---|
| G5 |  |
| x4 | |

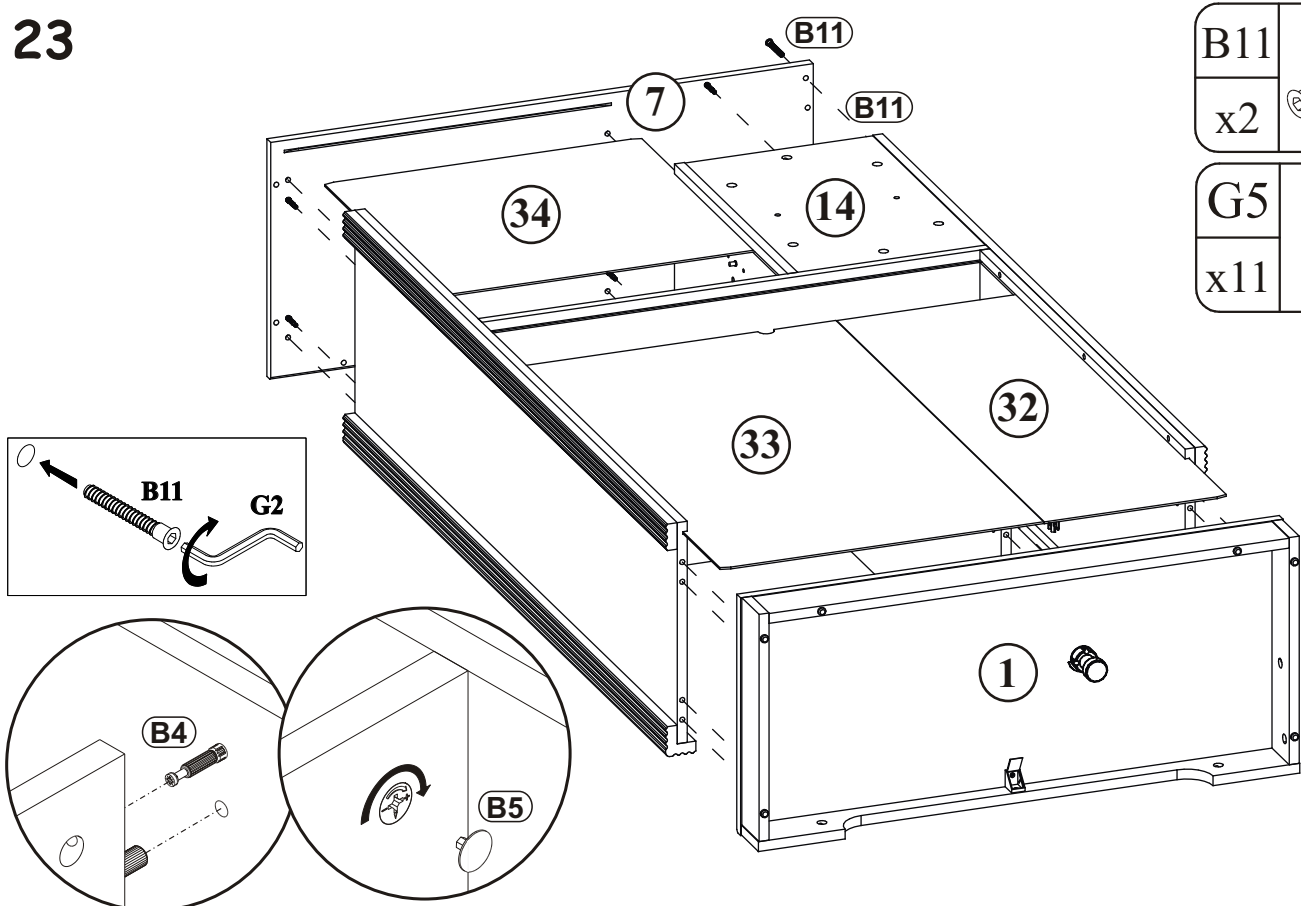
22

| | | | | | |
|-----|--|-----|---|----|---|
| B14 |  | G4 |  | G5 |  |
| x14 | Ø7x30 | x14 | | x3 | |

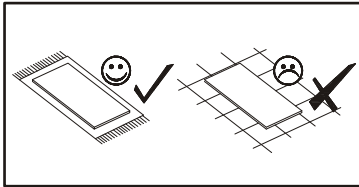


23

| | | | |
|-----|---|-----|---|
| B11 |  | G5 |  |
| x2 | Ø7x50 | x11 | |

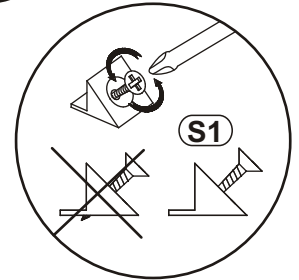
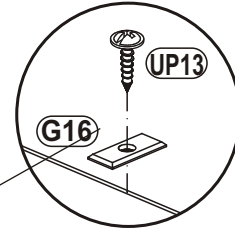
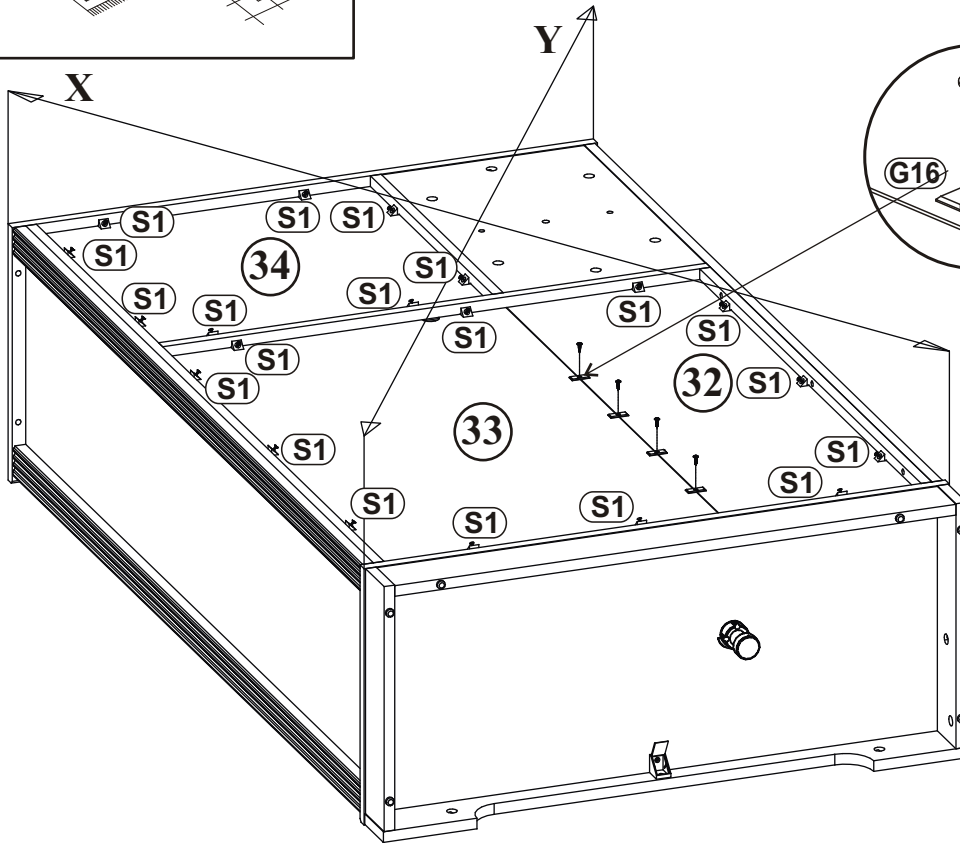


24

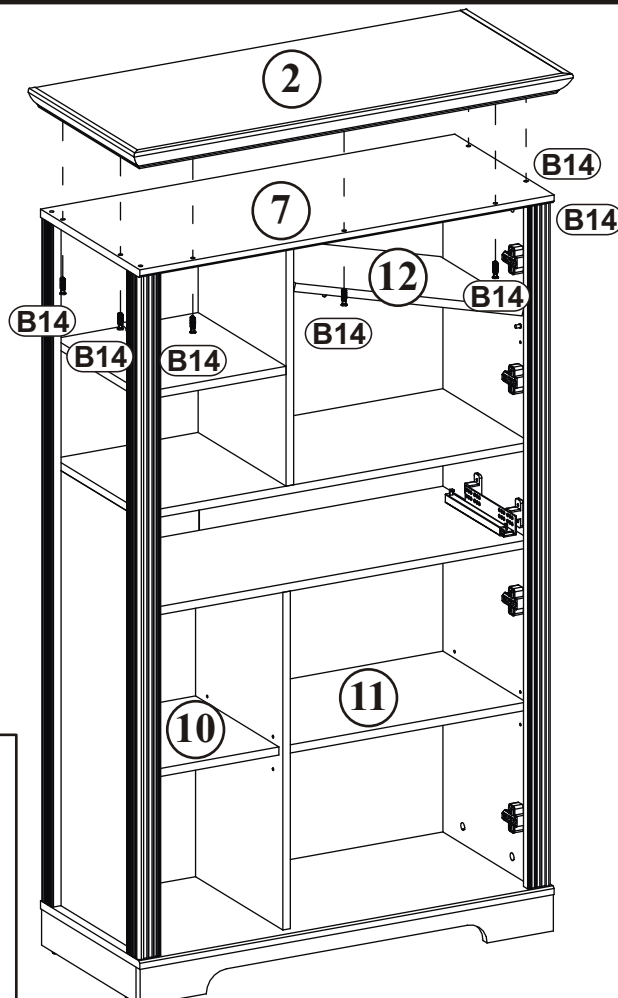
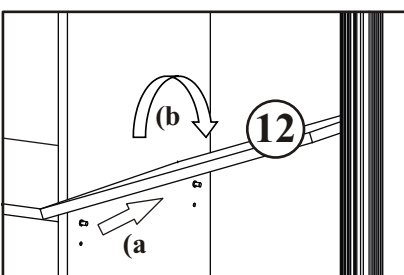
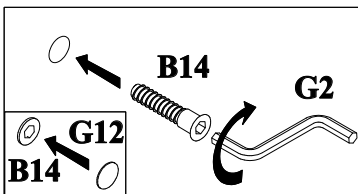
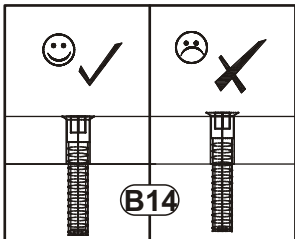


| | | | |
|-----|--|-----|--|
| S1 | | G16 | |
| x20 | | x4 | |

| | |
|------|---------|
| UP13 | |
| x4 | UPØ3x16 |

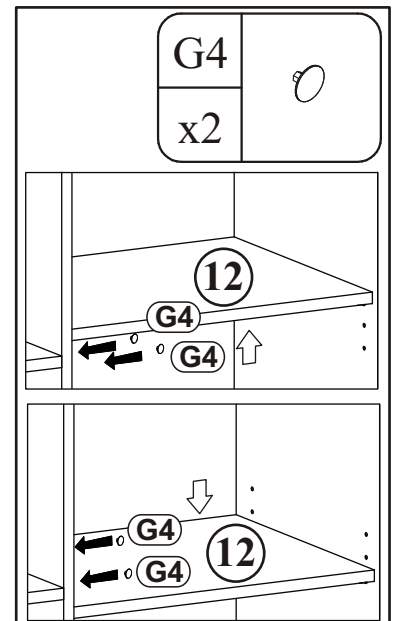


25



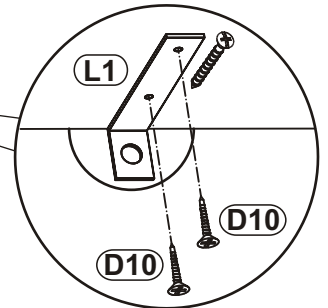
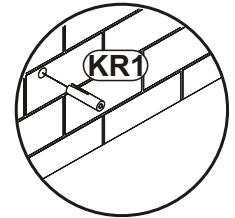
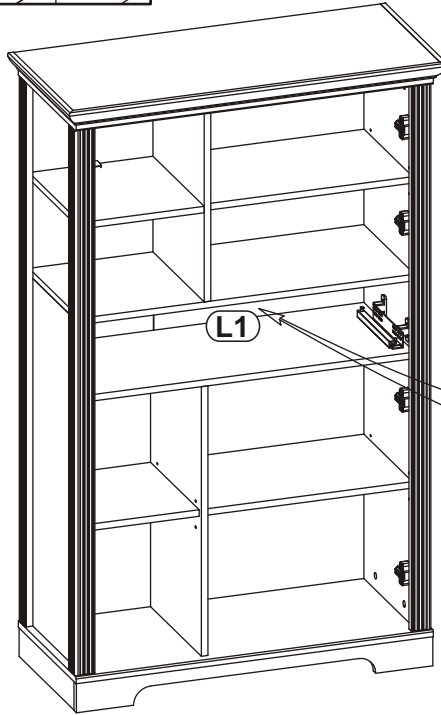
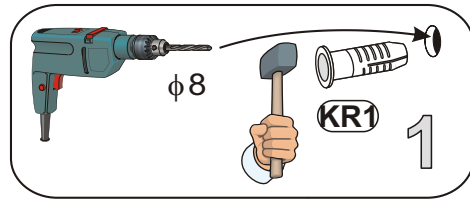
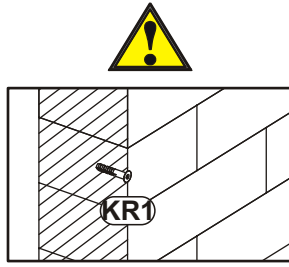
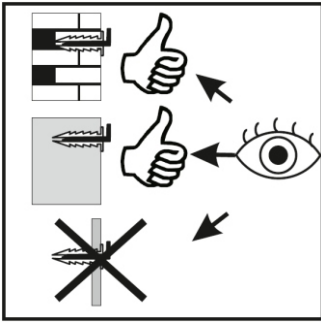
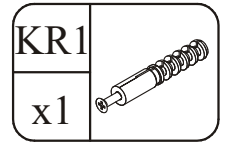
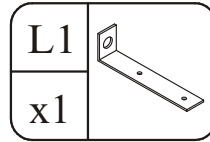
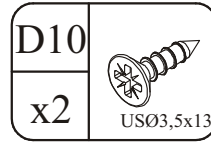
| | |
|-----|-------|
| B14 | |
| x7 | Ø7x30 |

| | |
|-----|-----|
| G12 | |
| x7 | Ø14 |

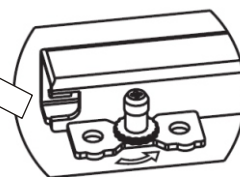
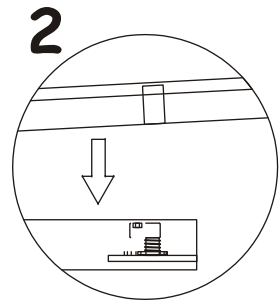
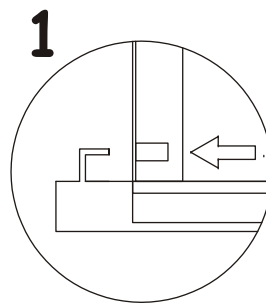
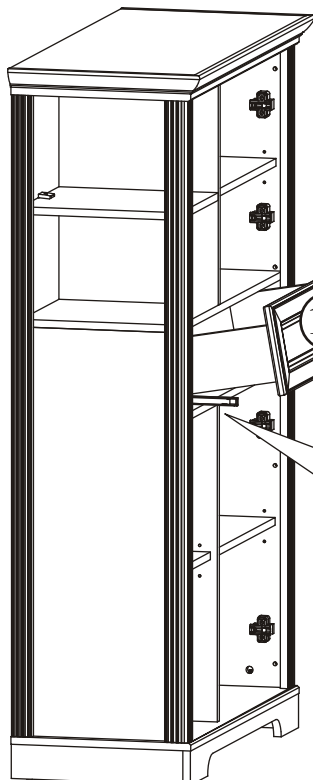


| | |
|----|--|
| G4 | |
| x2 | |

26



27



↑ +4 mm

28

