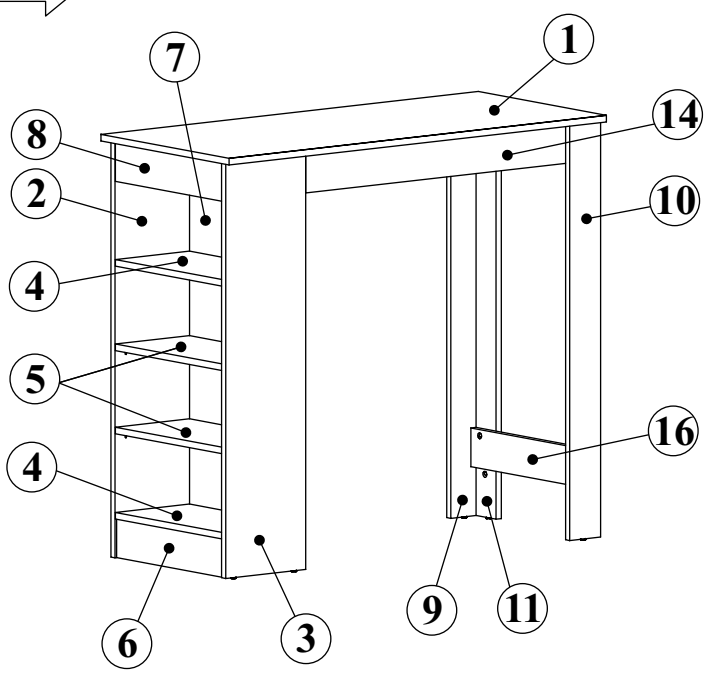
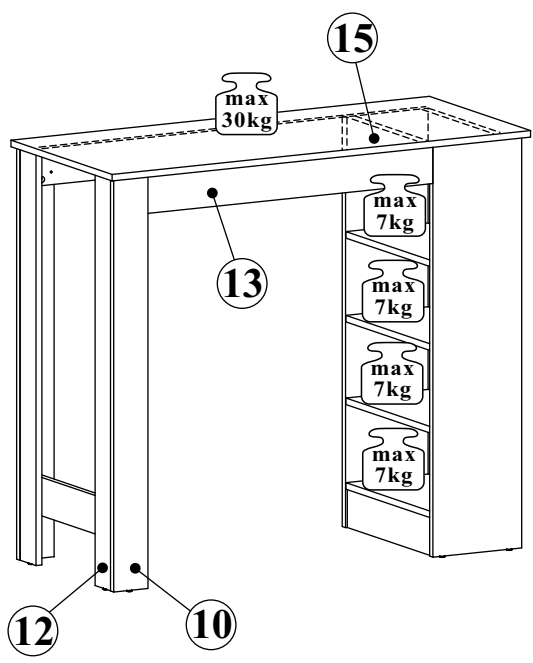
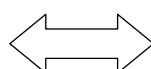
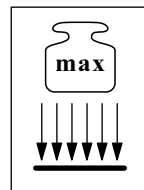
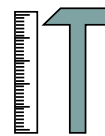


MOJITO 83-694-__-6

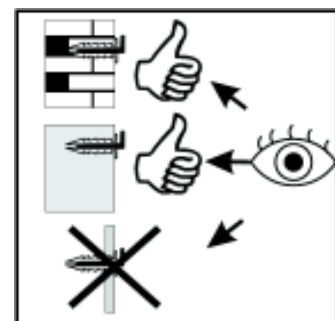
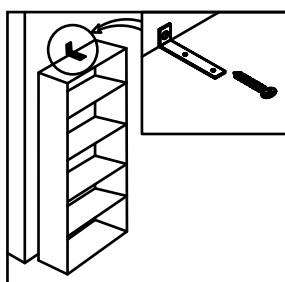
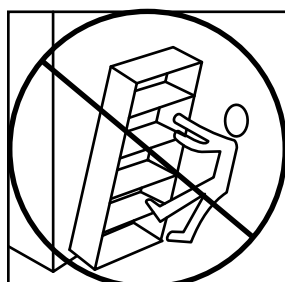
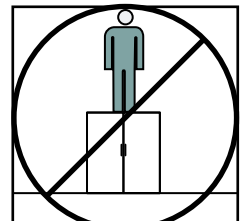
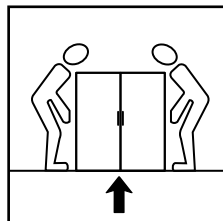
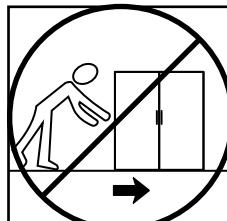
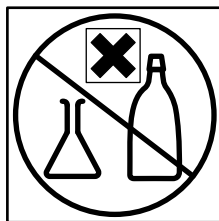
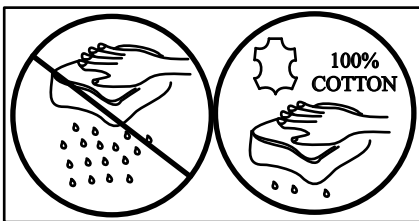
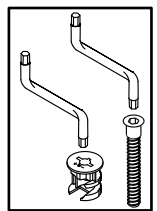
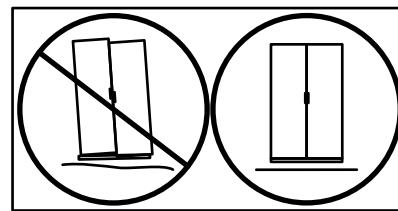
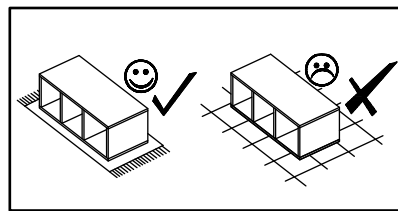
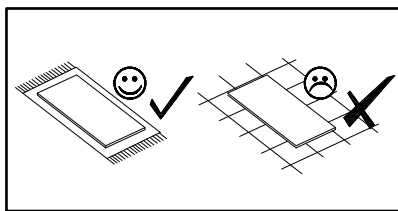
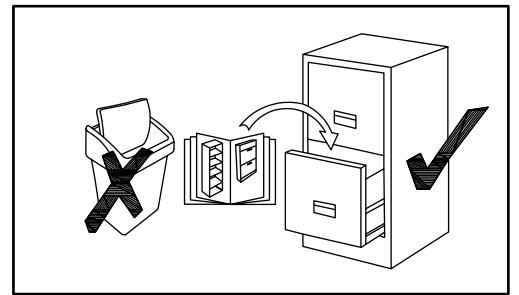
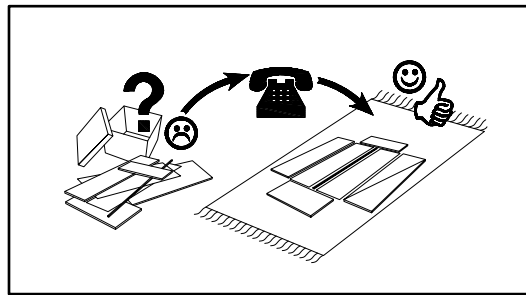
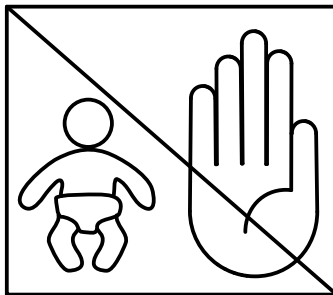
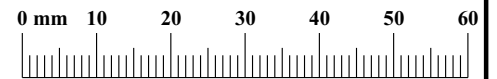


| | | | | |
|----|------|-----|---|---|
| 1 | 1150 | 500 | 1 | 1 |
| 2 | 1008 | 244 | 1 | 1 |
| 3 | 1008 | 244 | 1 | 1 |
| 4 | 416 | 226 | 1 | 2 |
| 5 | 416 | 226 | 1 | 2 |
| 6 | 416 | 94 | 1 | 1 |
| 7 | 1008 | 416 | 1 | 1 |
| 8 | 416 | 94 | 1 | 1 |
| 9 | 1008 | 94 | 1 | 1 |
| 10 | 1008 | 94 | 1 | 1 |
| 11 | 1008 | 78 | 1 | 1 |
| 12 | 1008 | 78 | 1 | 1 |
| 13 | 869 | 94 | 1 | 1 |
| 14 | 869 | 94 | 1 | 1 |
| 15 | 416 | 94 | 1 | 1 |
| 16 | 448 | 94 | 1 | 1 |

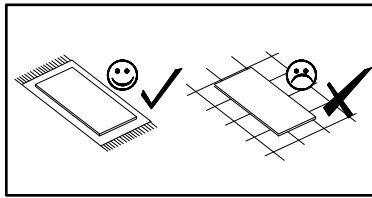


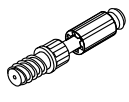
90 min

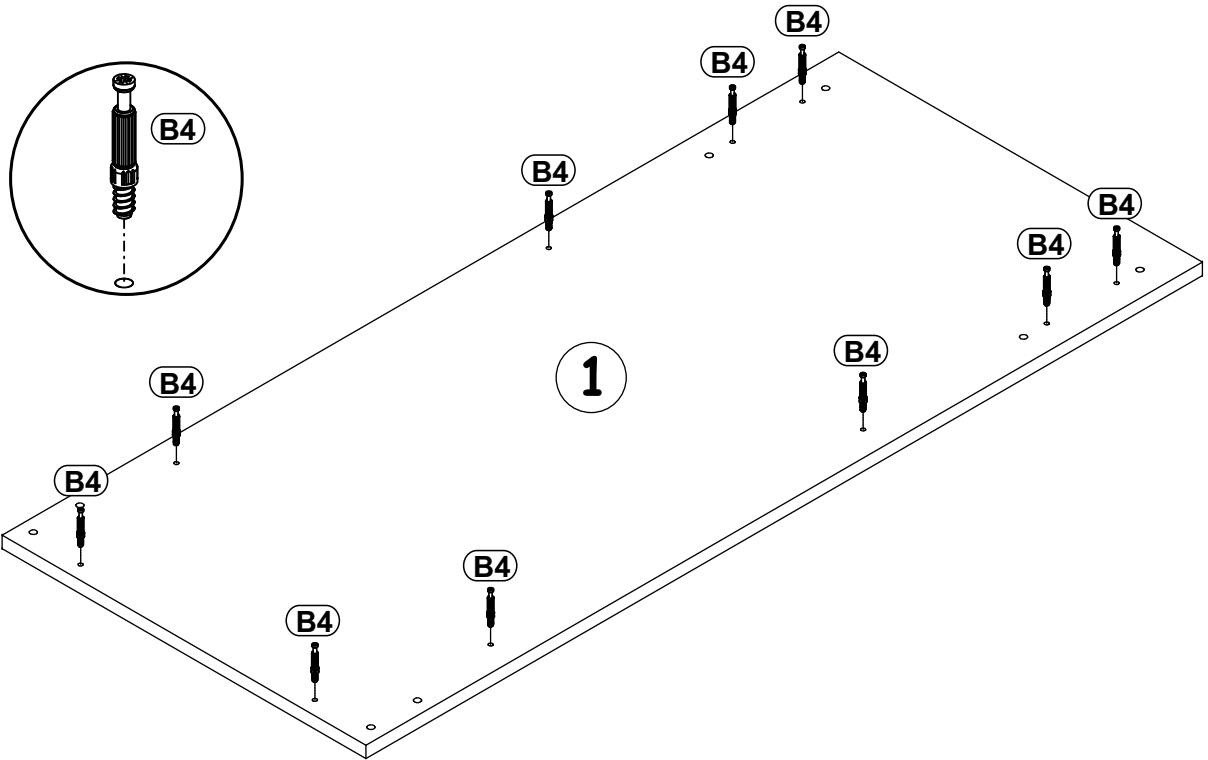
| | | | | | |
|--------------------|-----------|------------------------|-----------|----------|----------------------|
| A1 x38 ø8x36 | B4 x30 | B5 x30 ø15x12 | G5 x30 | I2 x8 | UP6 x6 UPØ4x30 |
| G7 x6 | PH x2 | D10 x2 USØ3,5x13 | G2 x1 | | |



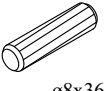
1



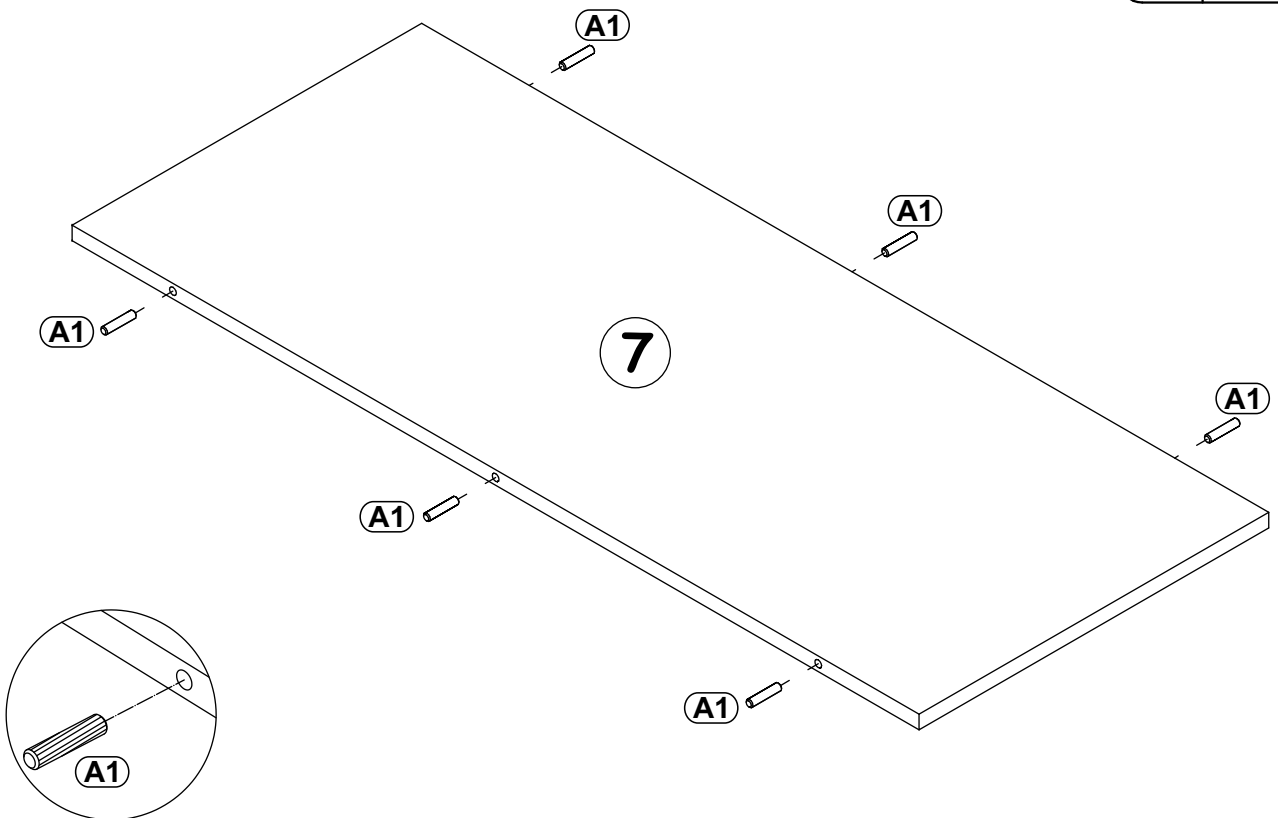
| | |
|-----|---|
| B4 |  |
| x10 | |



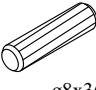
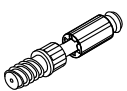
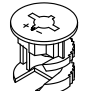
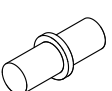

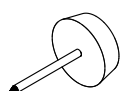
2

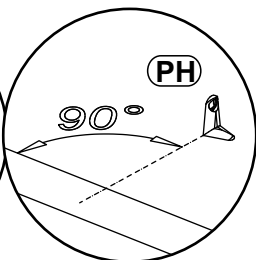
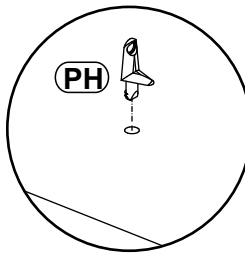
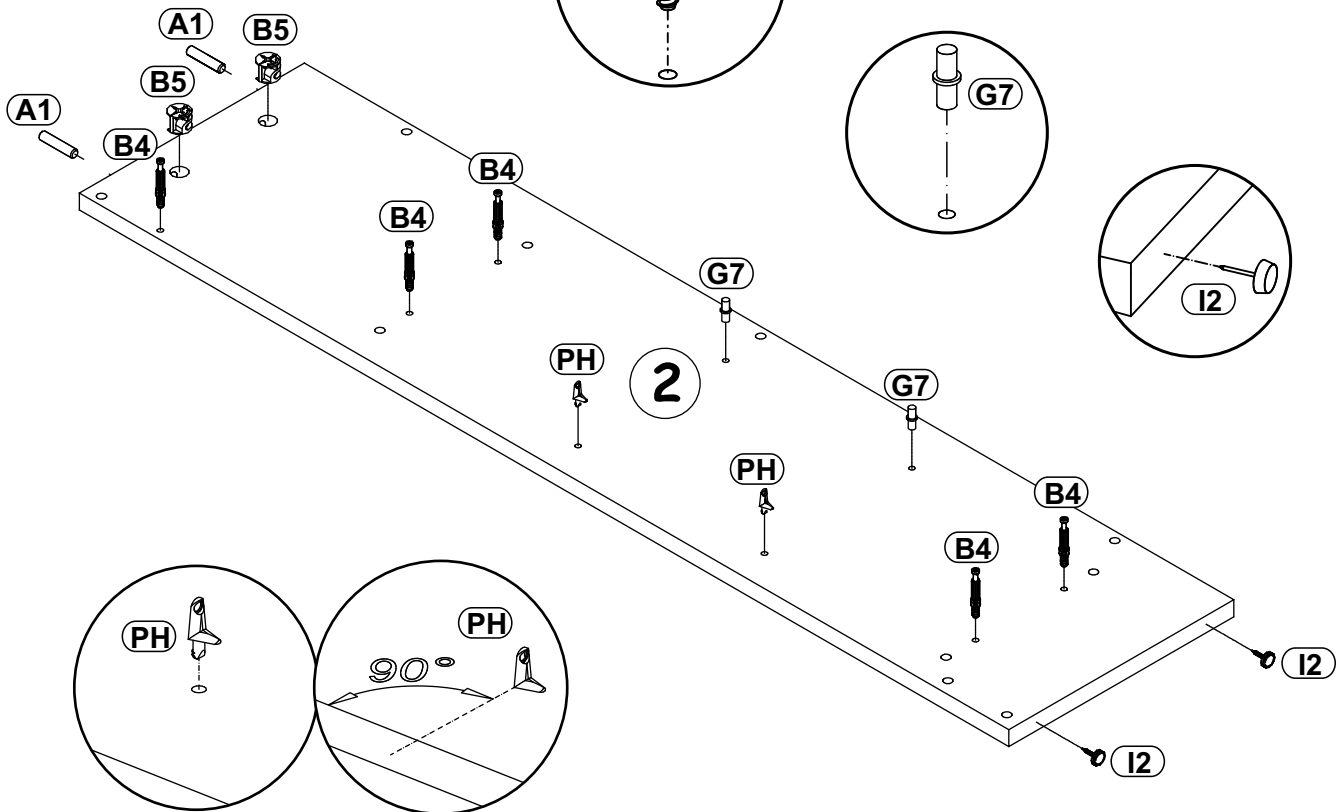
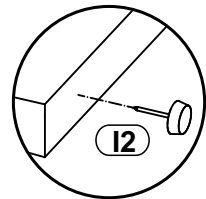
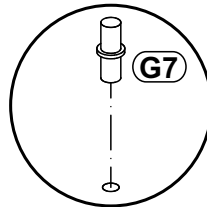
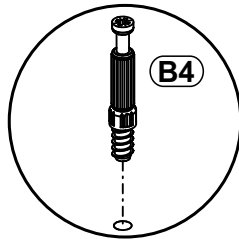
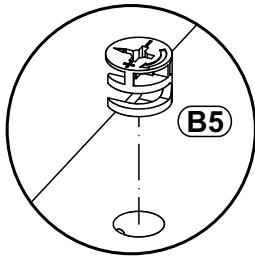
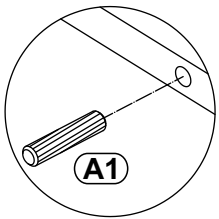
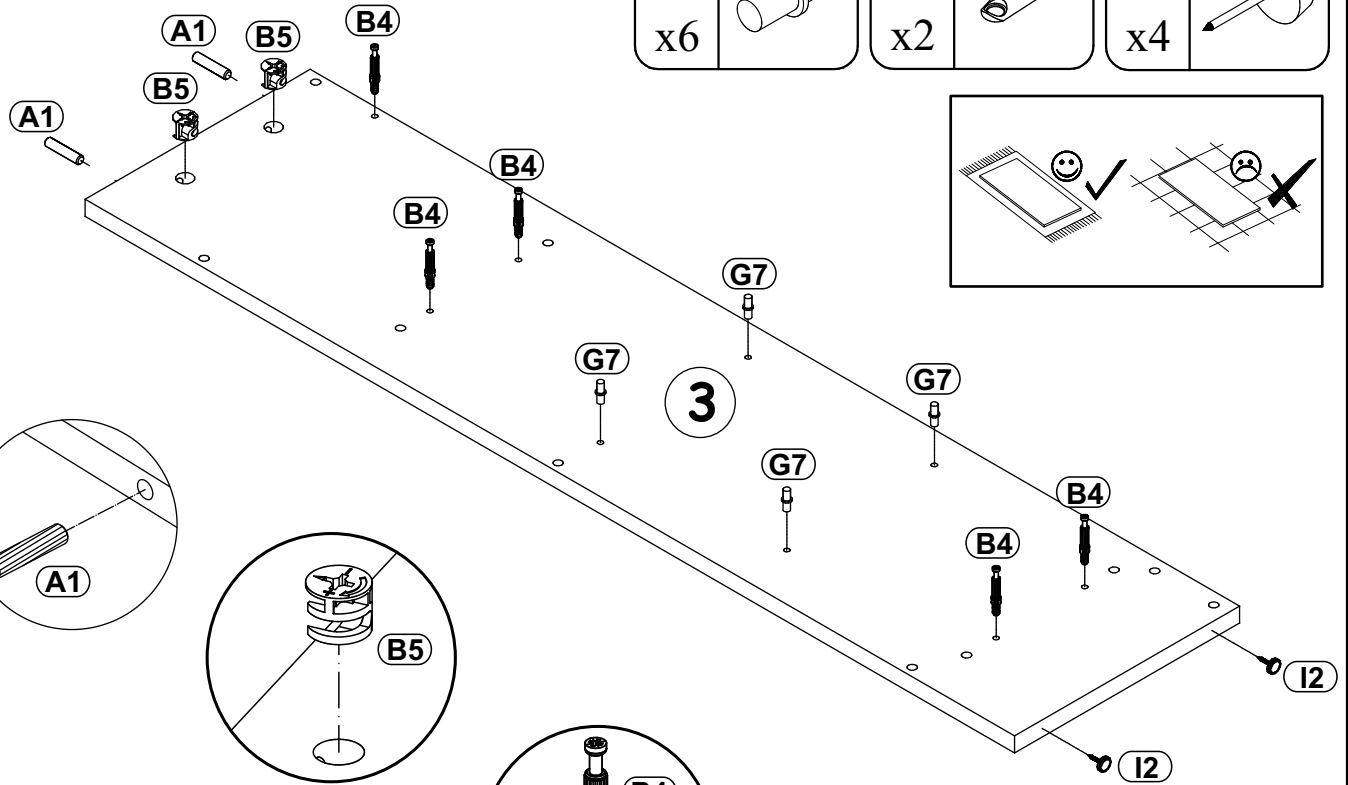
| | |
|----|---|
| A1 |  |
| x6 | |

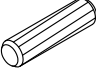
ø8x36

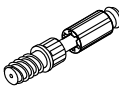



3


| | | | | | |
|----------|---|-----------|---|----------|---|
| A1 x4 |  ø8x36 | B4 x10 |  | B5 x4 |  ø15x12 |
| G7 x6 |  | PH x2 |  | I2 x4 |  |

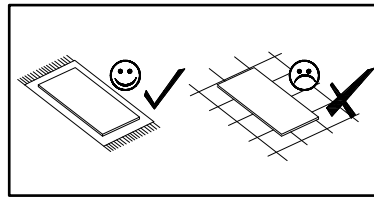


| | |
|----|--|
| A1 |  |
| x8 | ø8x36 |

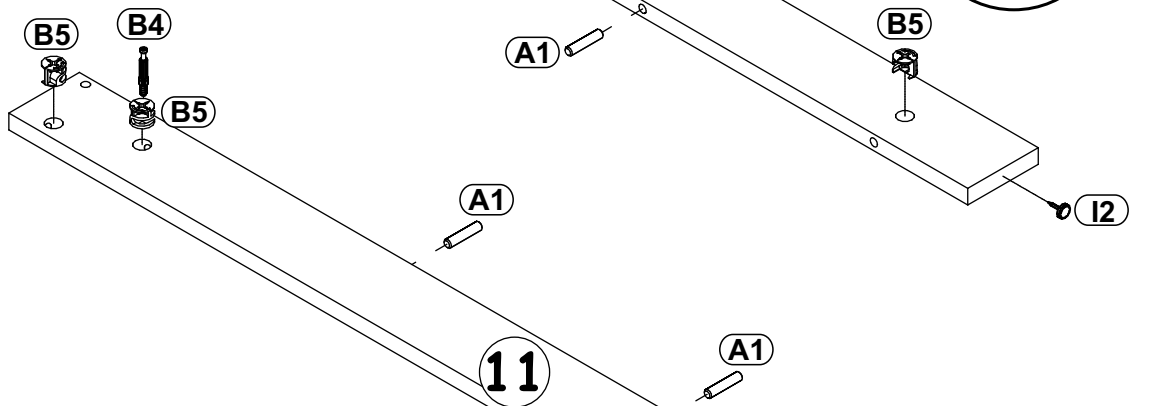
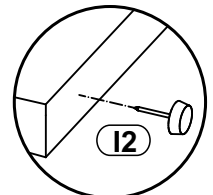
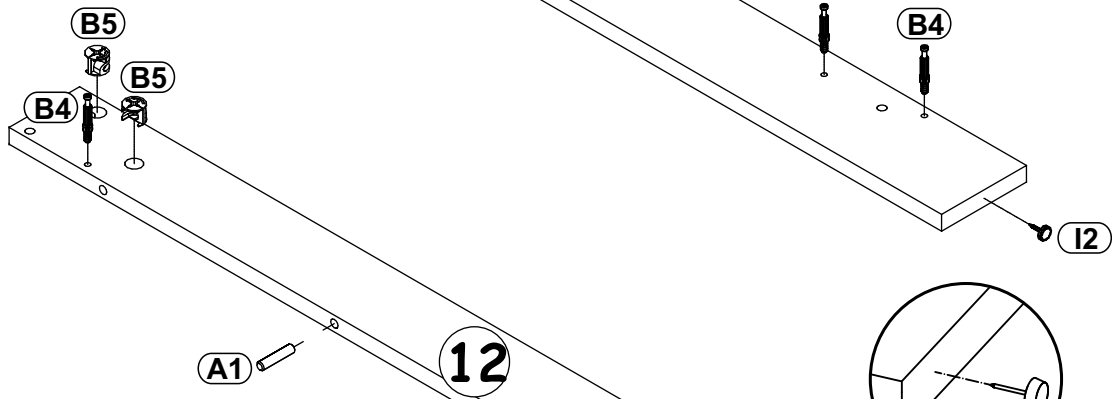
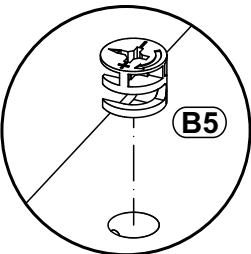
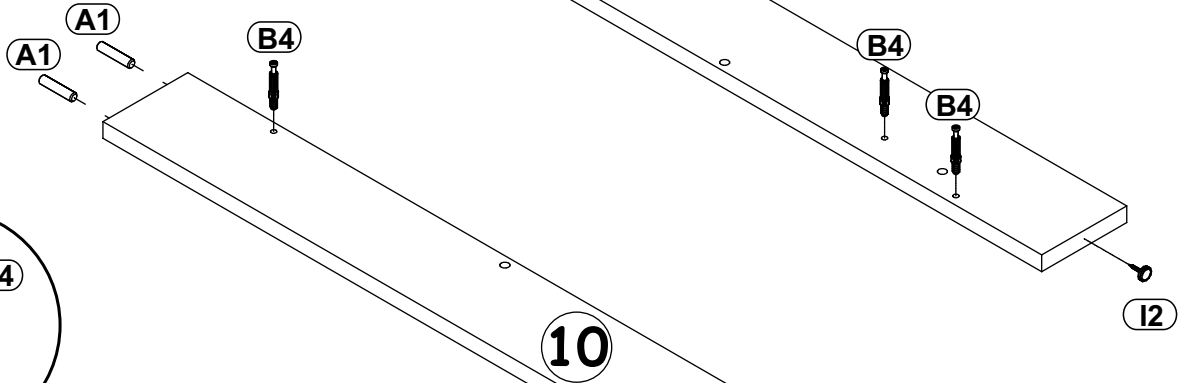
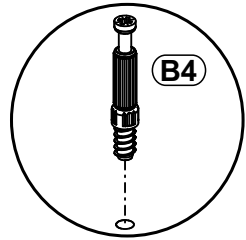
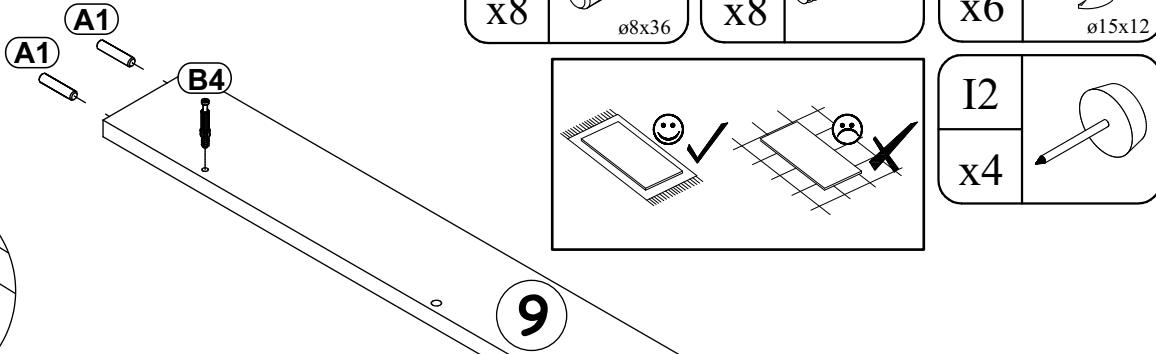
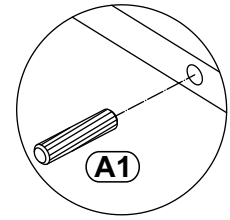
| | |
|----|---|
| B4 |  |
| x8 | |

| | |
|----|--|
| B5 |  |
| x6 | ø15x12 |

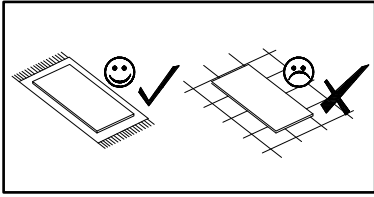
| | |
|----|---|
| I2 |  |
| x4 | |

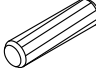


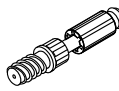
4

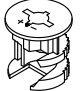


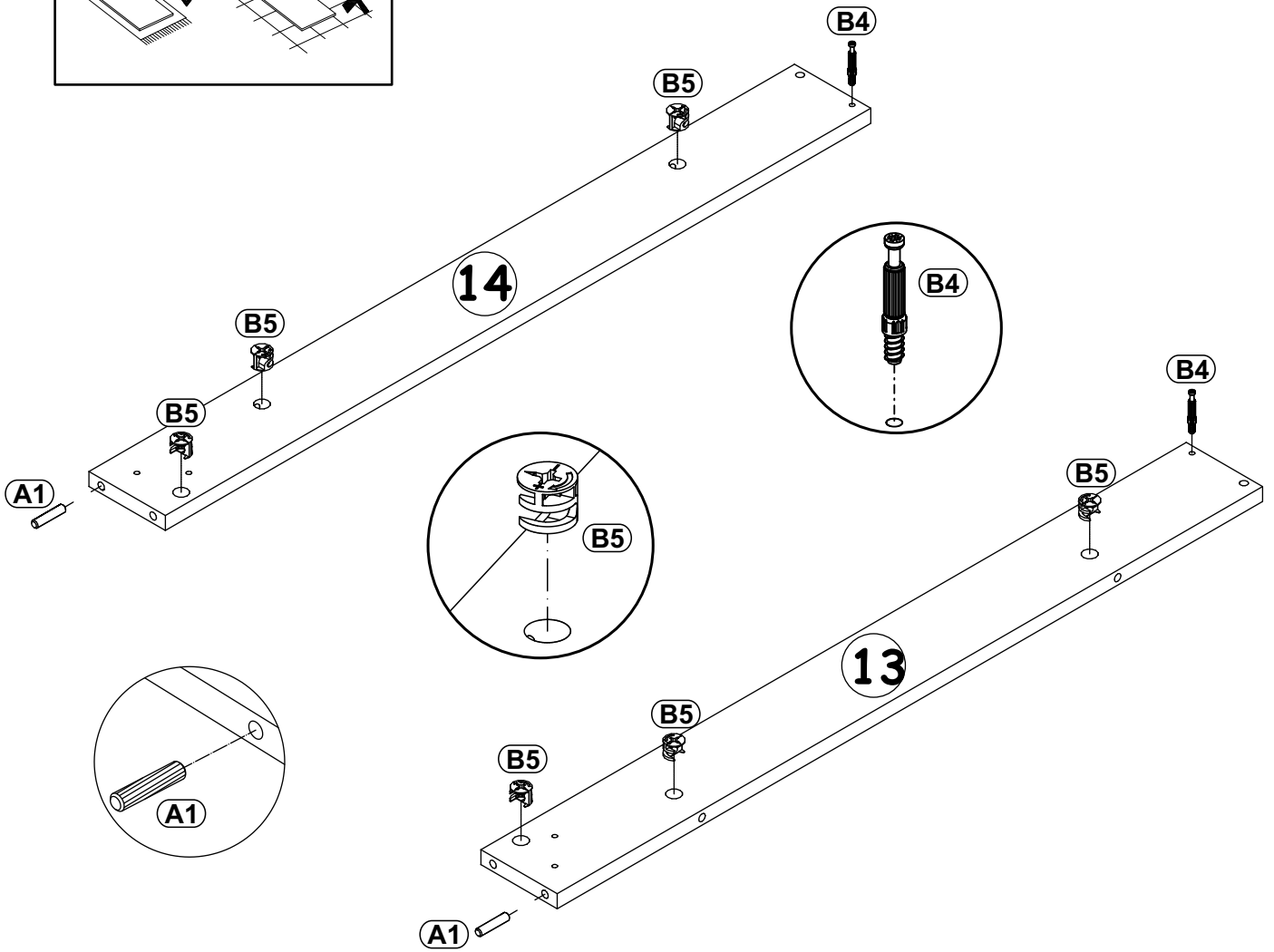
5



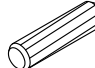
| | |
|----|--|
| A1 |  |
| x2 | ø8x36 |


| | |
|----|---|
| B4 |  |
| x2 | |

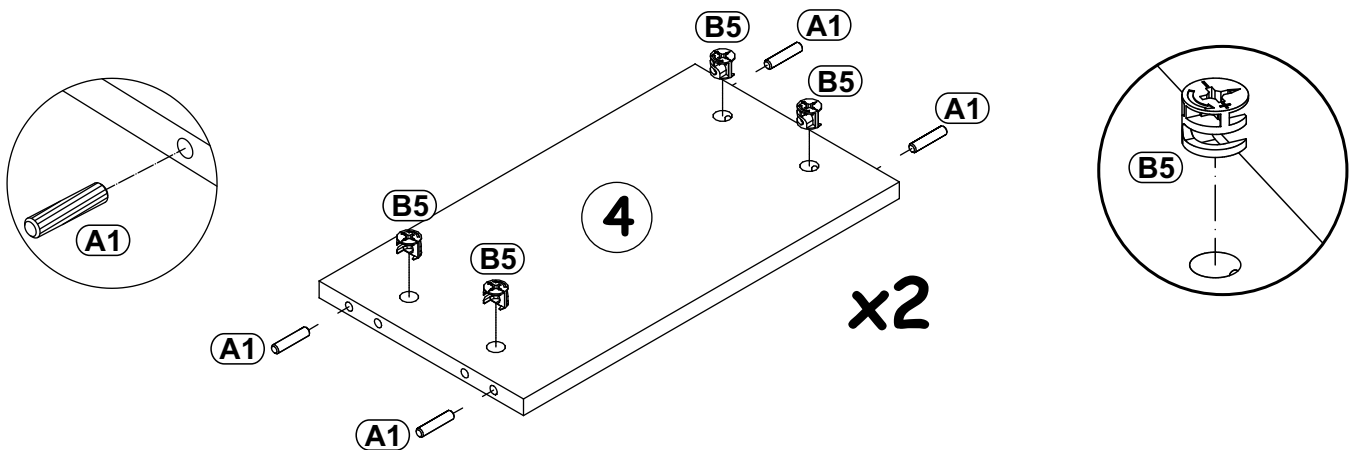
| | |
|----|---|
| B5 |  |
| x6 | ø15x12 |



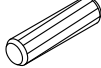
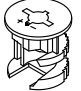
6

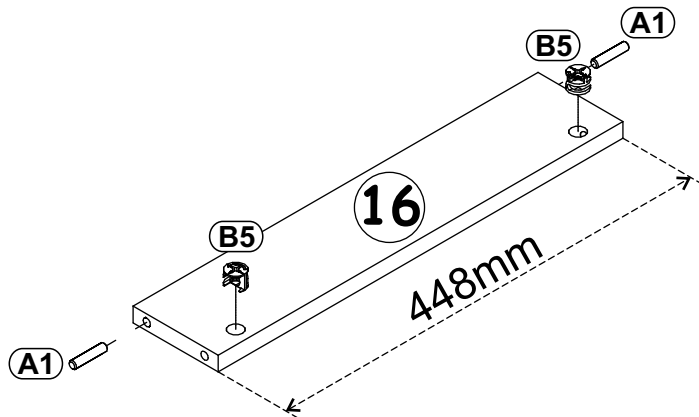
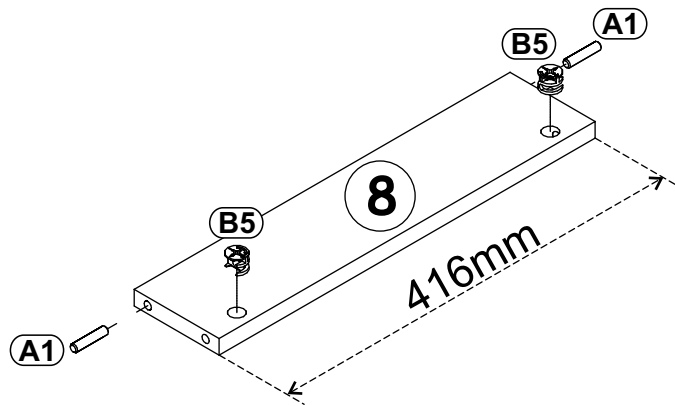
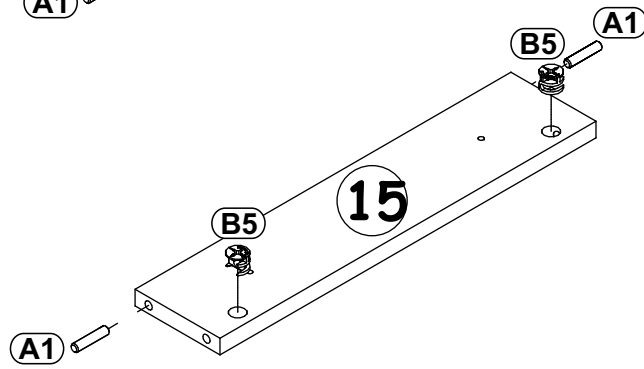
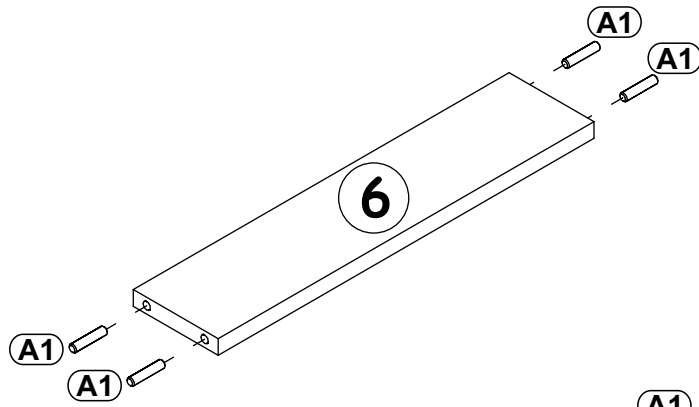
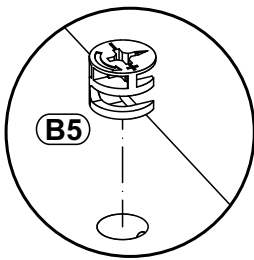
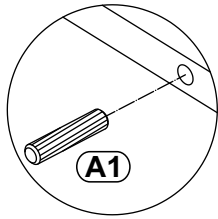
| | |
|----|---|
| A1 |  |
| x8 | ø8x36 |

| | |
|----|---|
| B5 |  |
| x8 | ø15x12 |

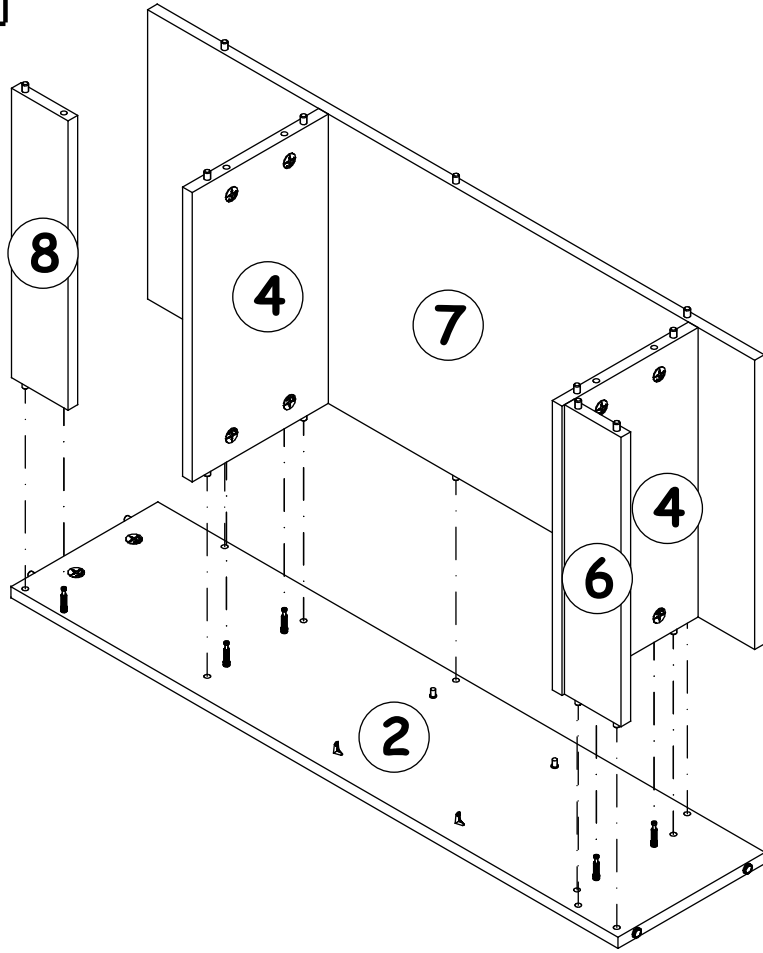
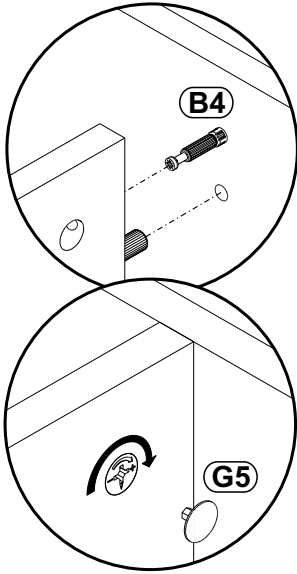
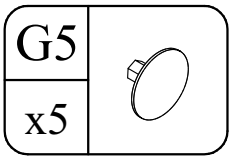


7

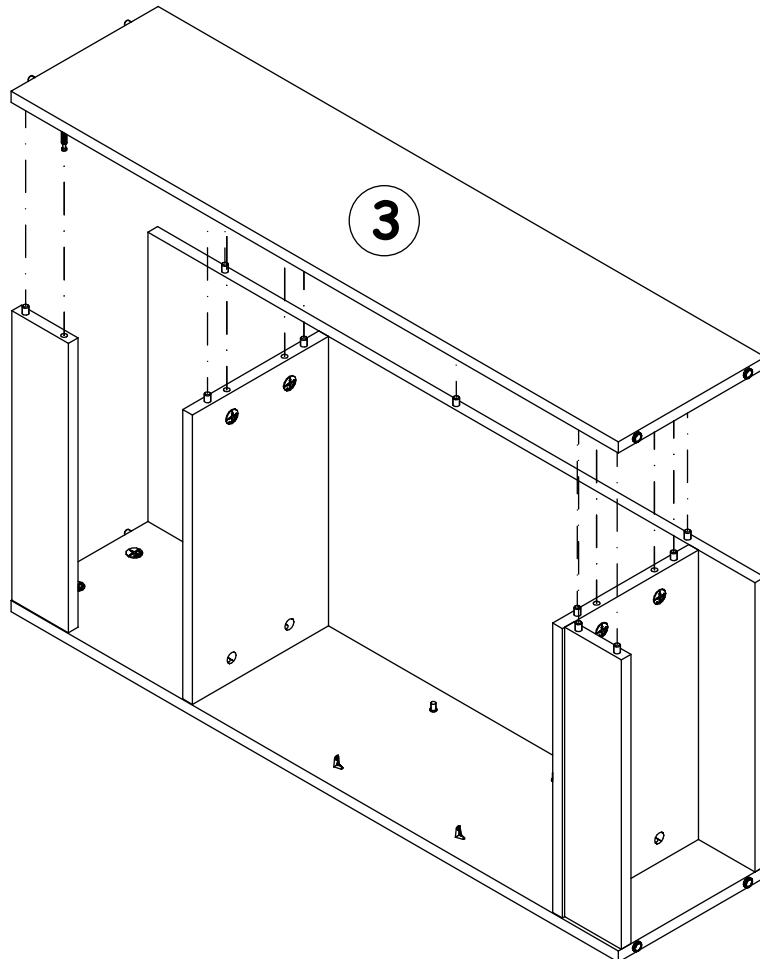
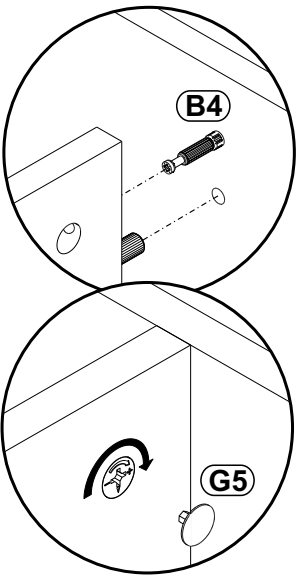
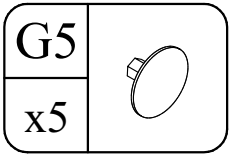
| | | | |
|-----|--|----|---|
| A1 |  ø8x36 | B5 |  ø15x12 |
| x10 | | x6 | |



8



9

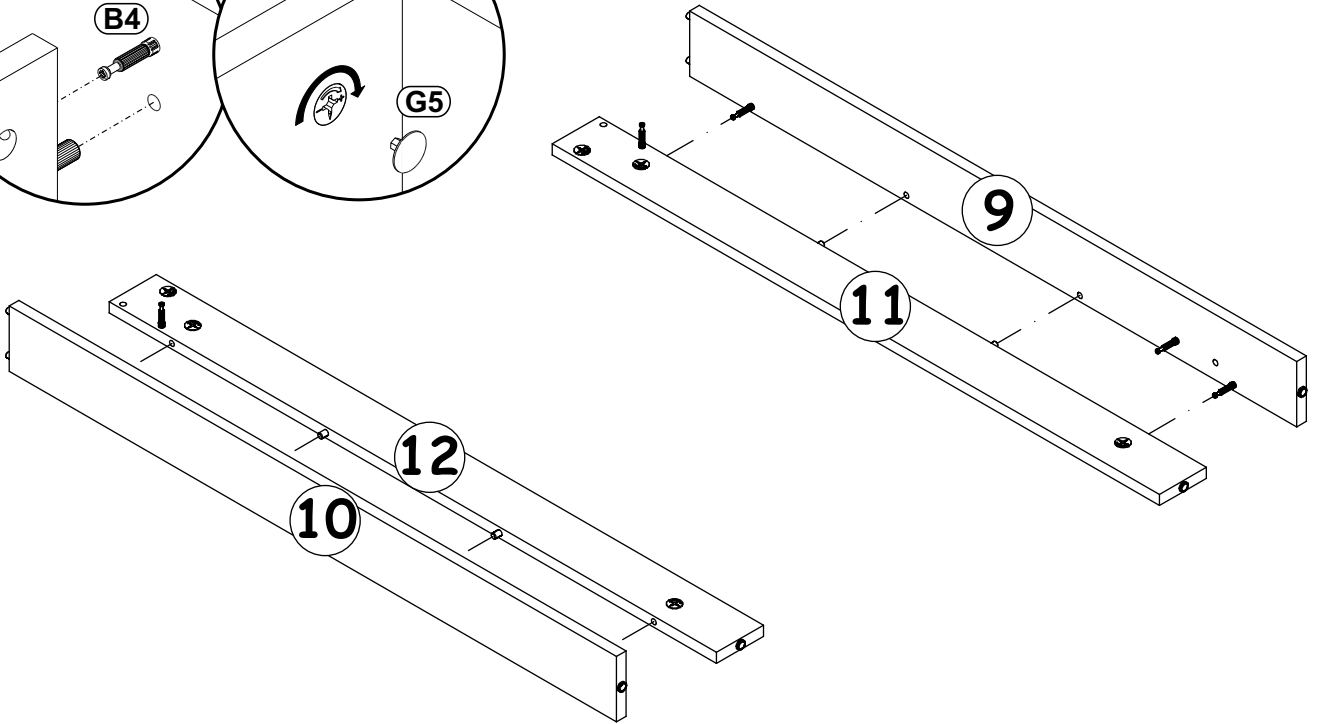
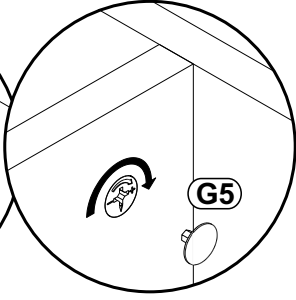
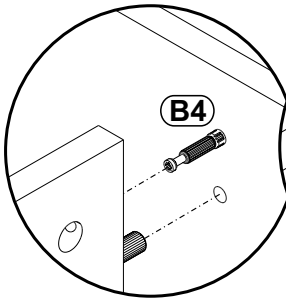


G5

x4



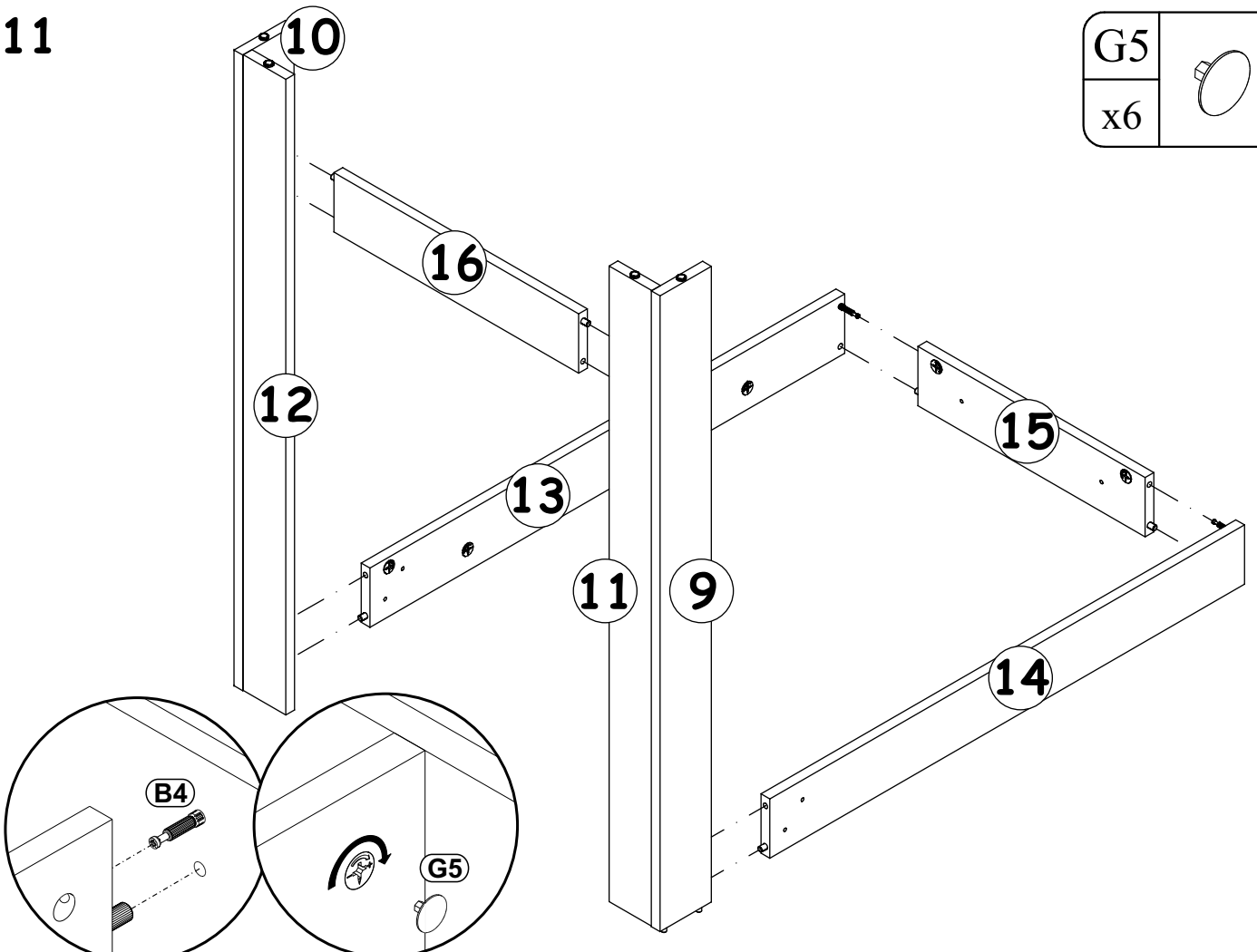
10



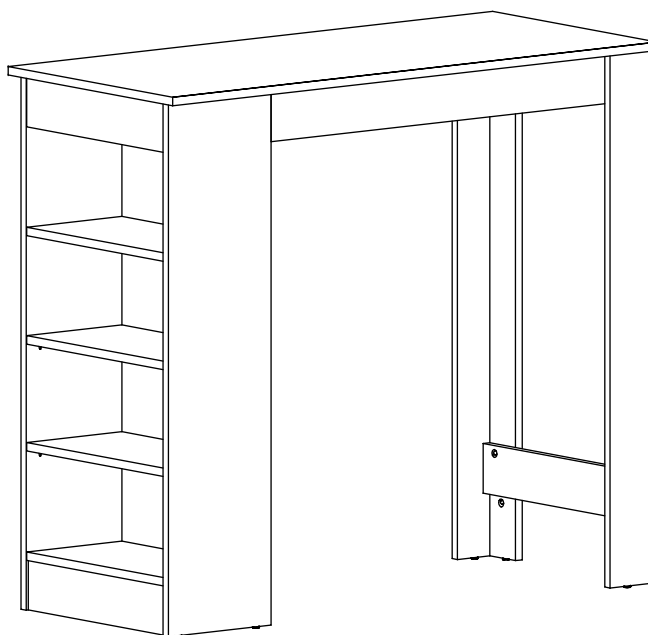
11

G5

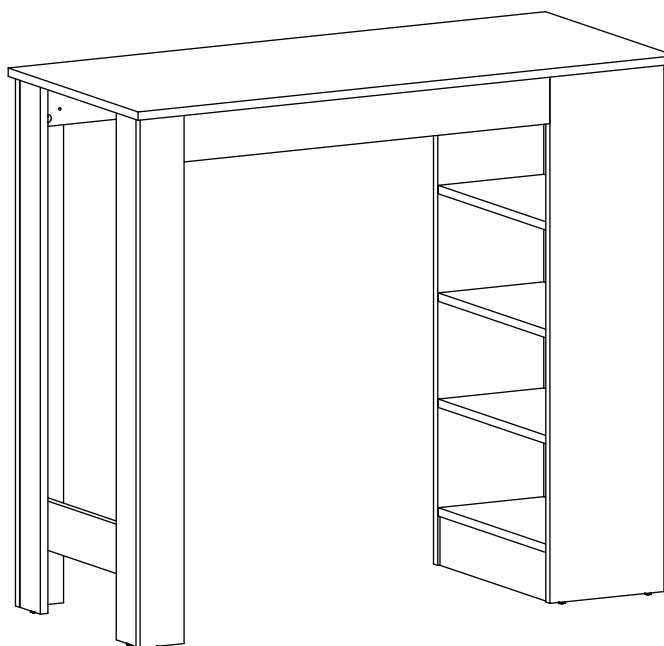
x6



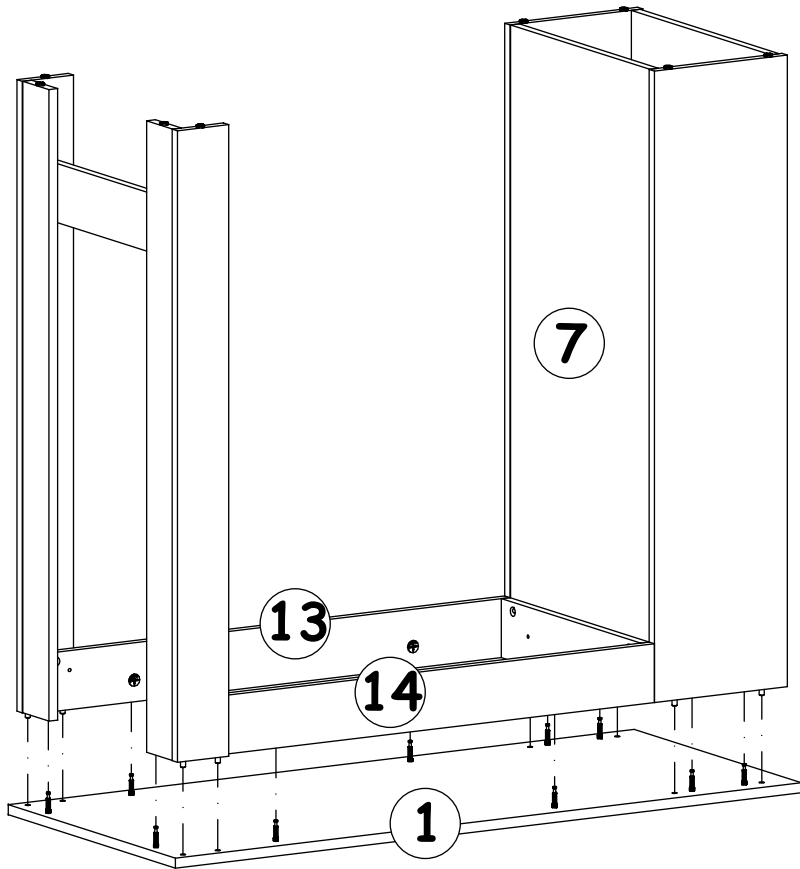
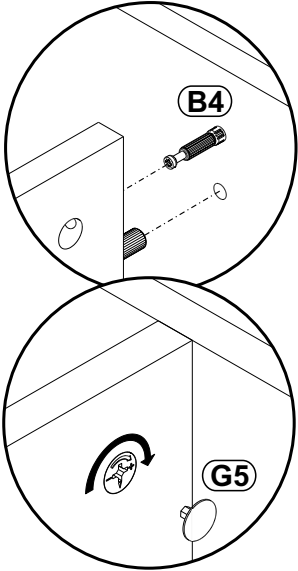
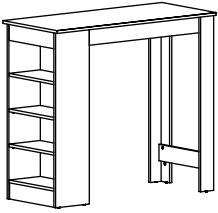
12-14



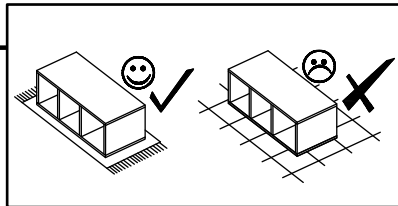
15-17



12

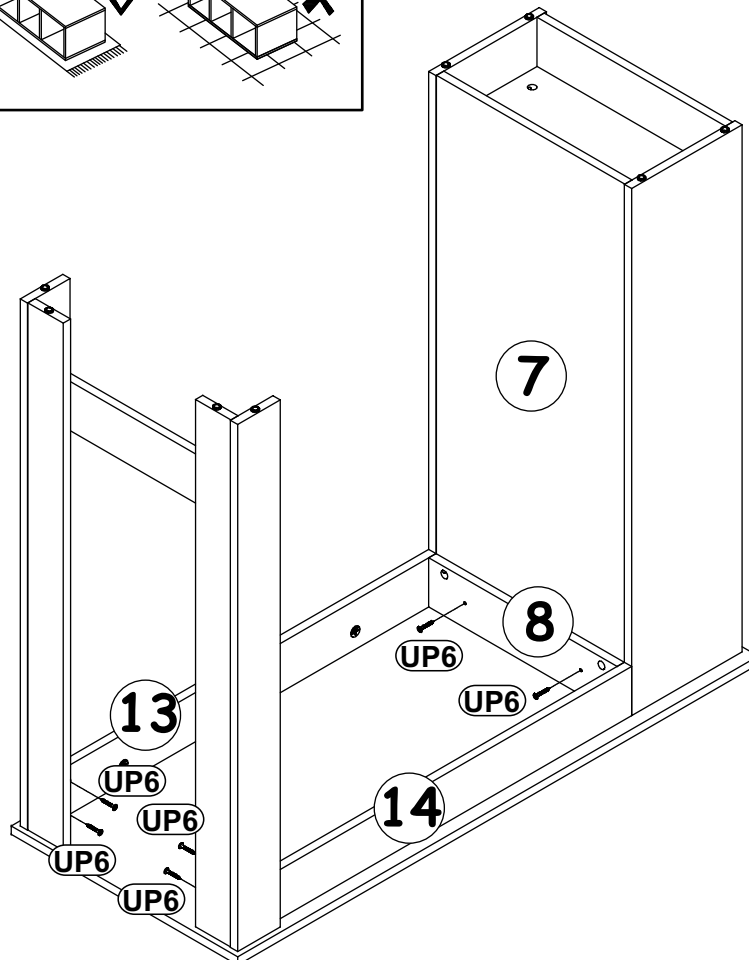


13

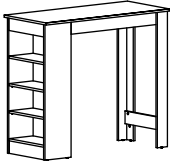


| | |
|-----|--|
| G5 | |
| x10 | |
| UP6 | |
| x6 | |

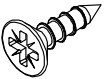
UPØ4x30

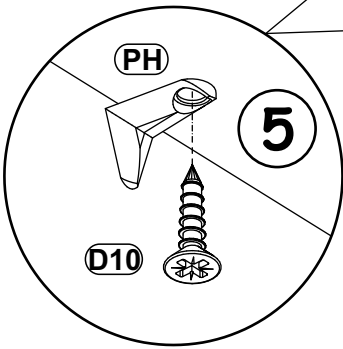
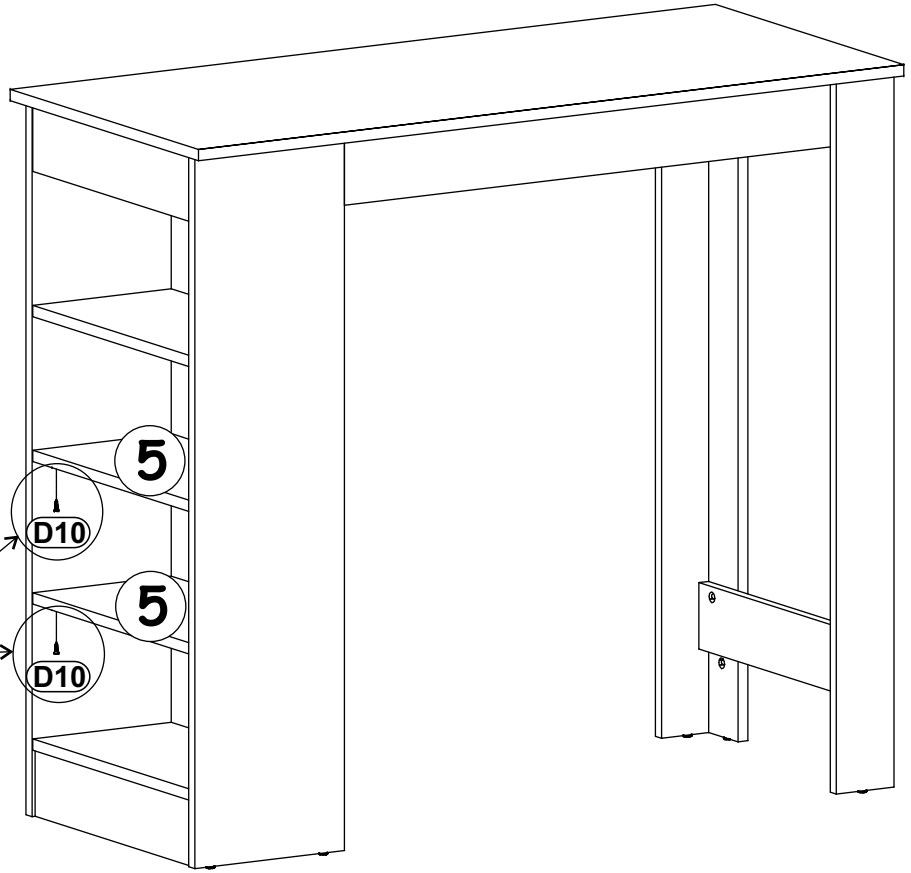


14

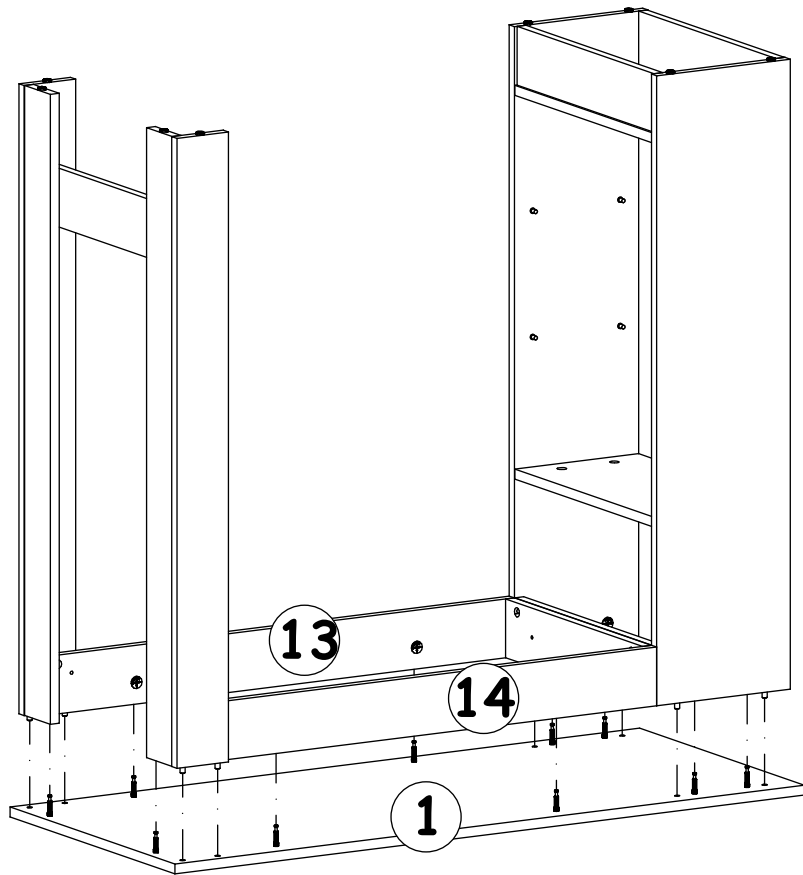
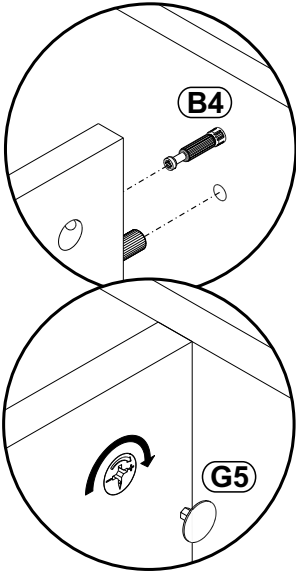
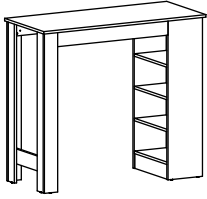


180°

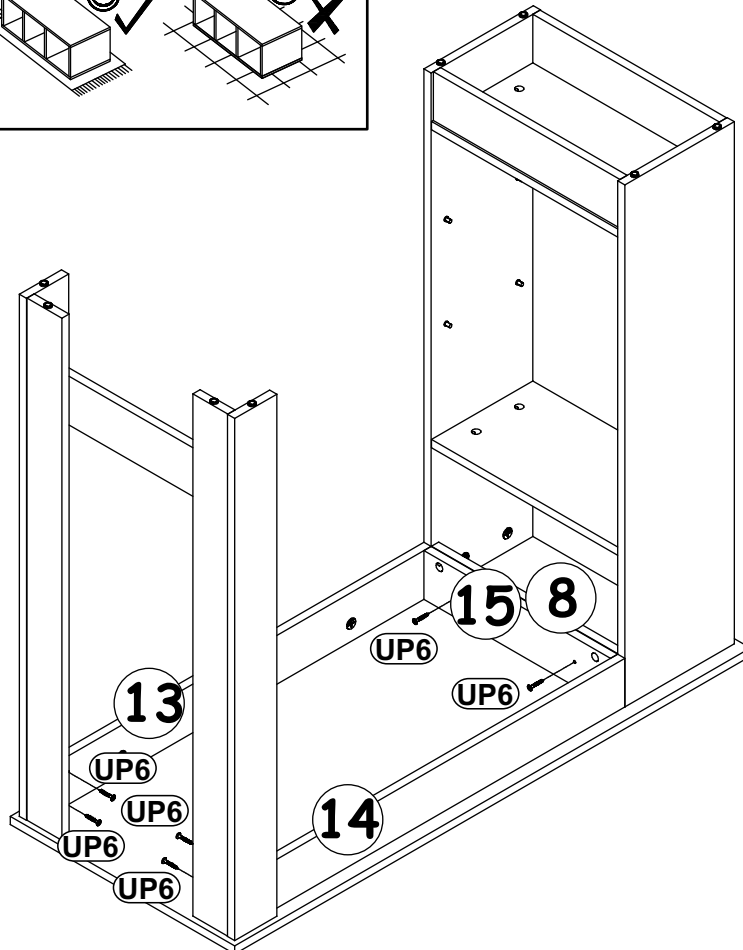
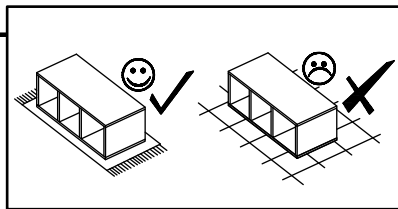
| | |
|-----|--|
| D10 |  USØ3,5x13 |
| x2 | |



15



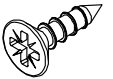
16

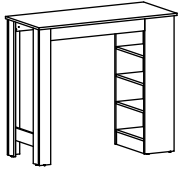


| | |
|-----|--|
| G5 | |
| x10 | |
| UP6 | |
| x6 | |

UP04x30

17

| | |
|-----|--|
| D10 |  USØ3,5x13 |
| x2 | |



180°

