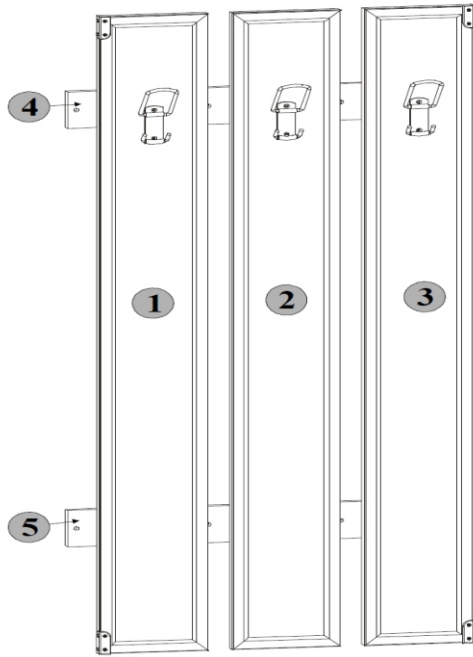
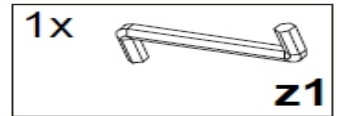
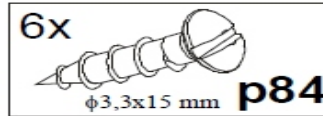
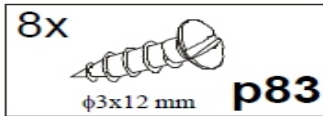
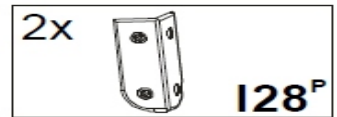
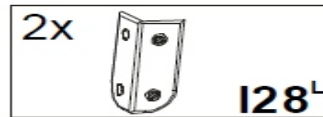
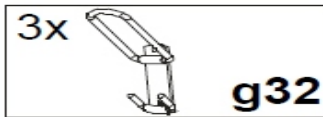
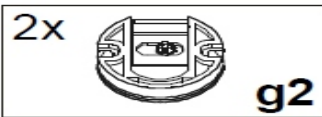
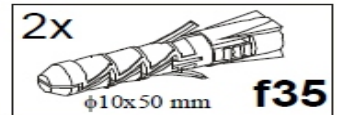
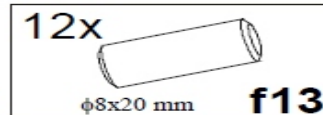
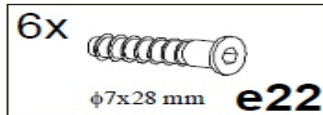
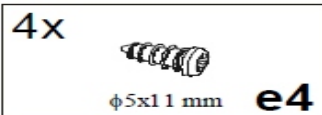
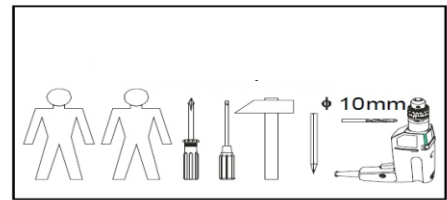


# INDIANA

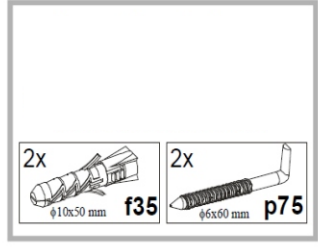
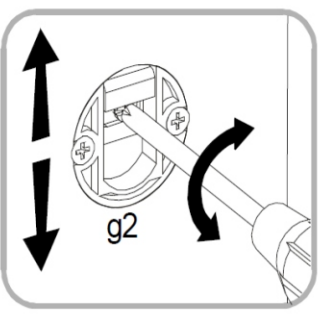
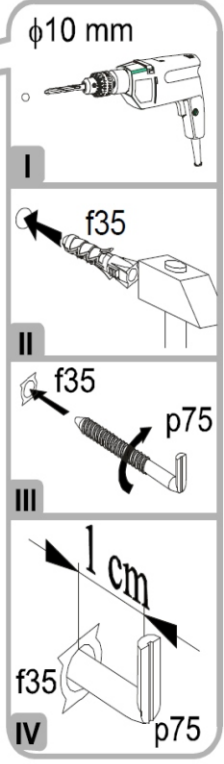
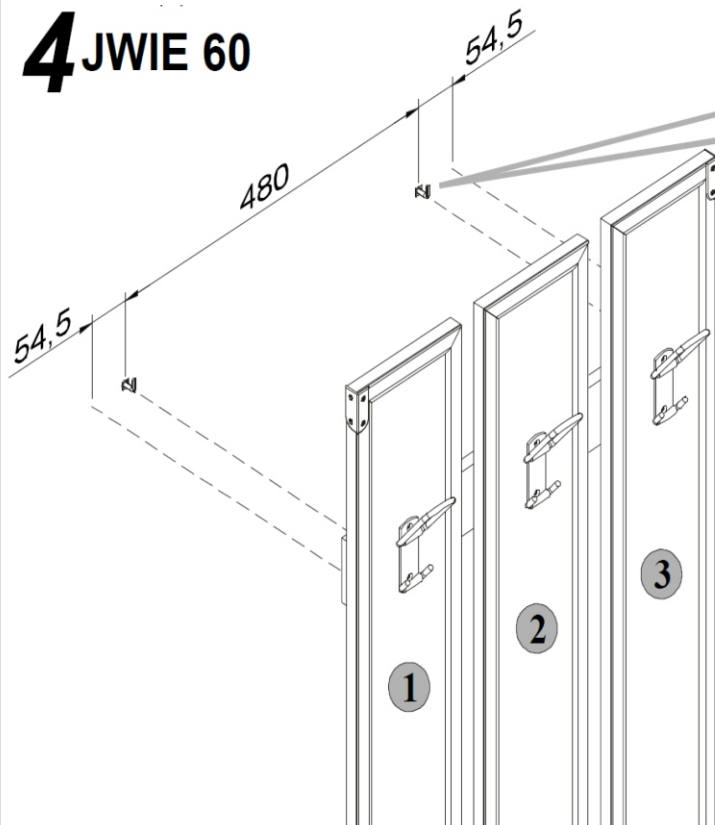
JWIE 60



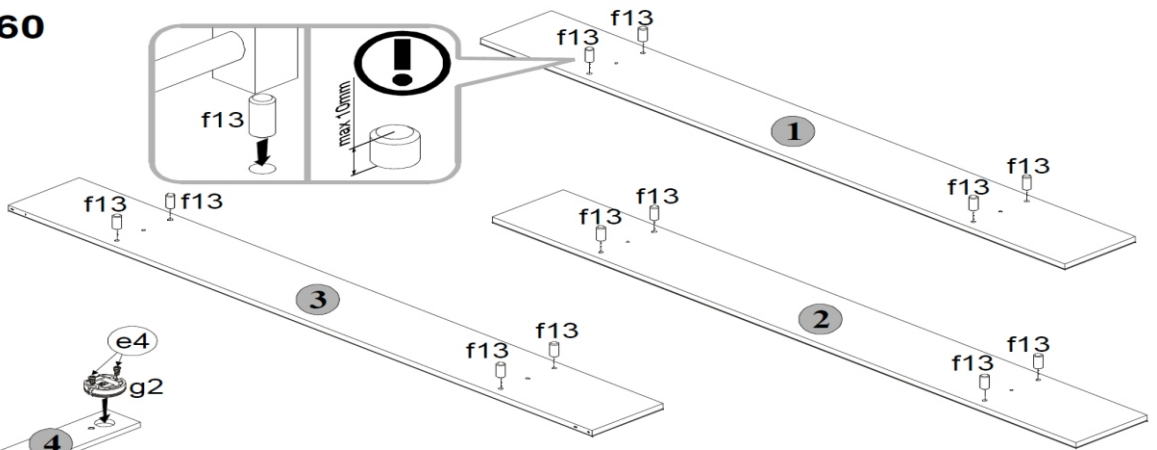
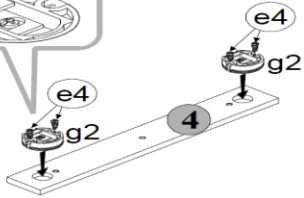
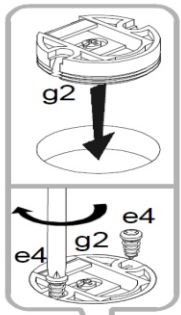
	A	B	C	D
1	1400x170	S31-405	1/1	
2	1400x170	S31-404	1/1	
3	1400x170	S31-406	1/1	
4	570x80	S31-407	1/1	
5	570x80	S31-408	1/1	



## 4 JWIE 60

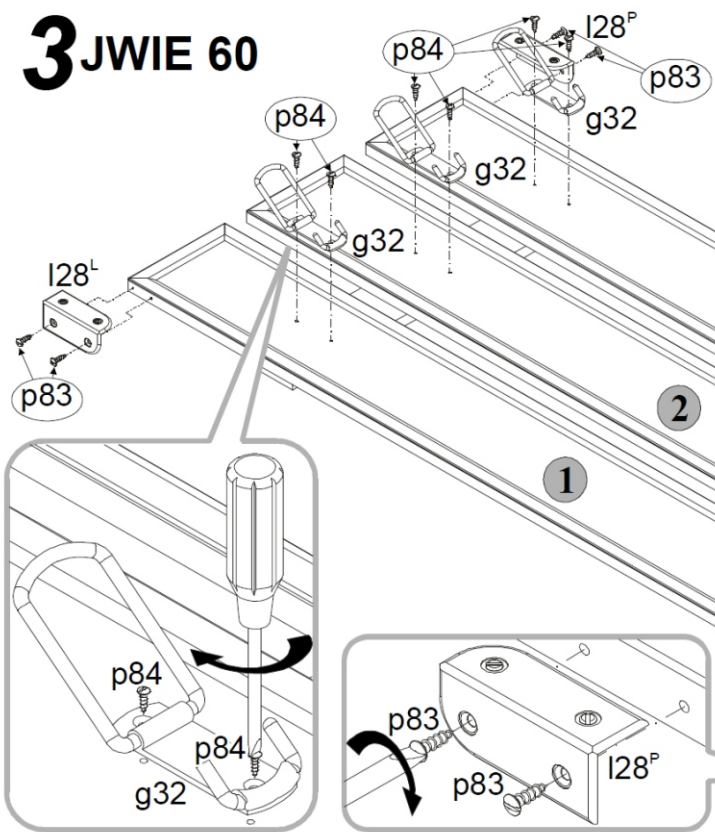


# 1 JWIE 60

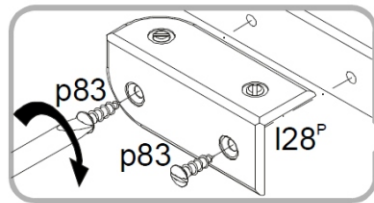
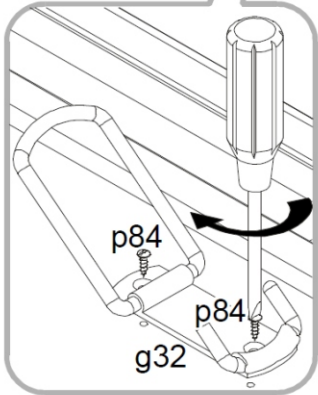


- 4x  $\phi 5 \times 11$  mm e4
- 12x  $\phi 8 \times 20$  mm f13
- 2x g2

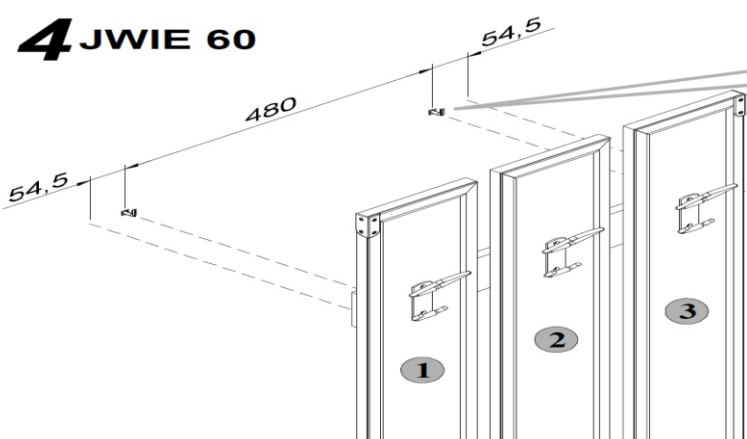
# 3 JWIE 60



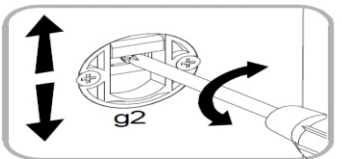
- 3x g32
- 2x l28<sup>P</sup>
- 2x l28<sup>L</sup>
- 8x  $\phi 3 \times 12$  mm p83
- 6x  $\phi 3.3 \times 15$  mm p84



# 4 JWIE 60



- $\phi 10$  mm
- I f35
- II f35 p75
- III f35
- IV f35 p75



- 2x  $\phi 10 \times 50$  mm f35
- 2x  $\phi 6 \times 60$  mm p75