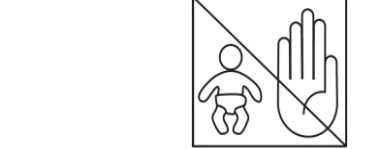
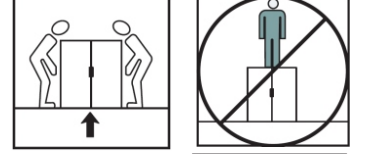
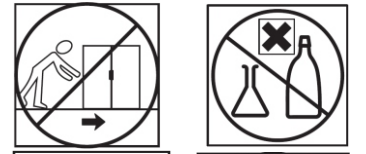
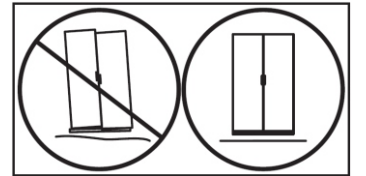
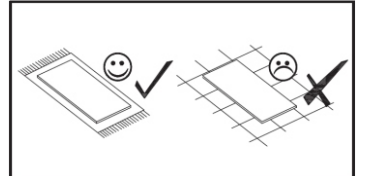
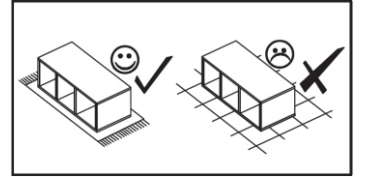
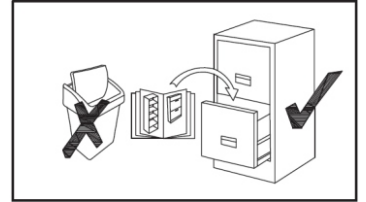
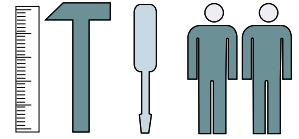
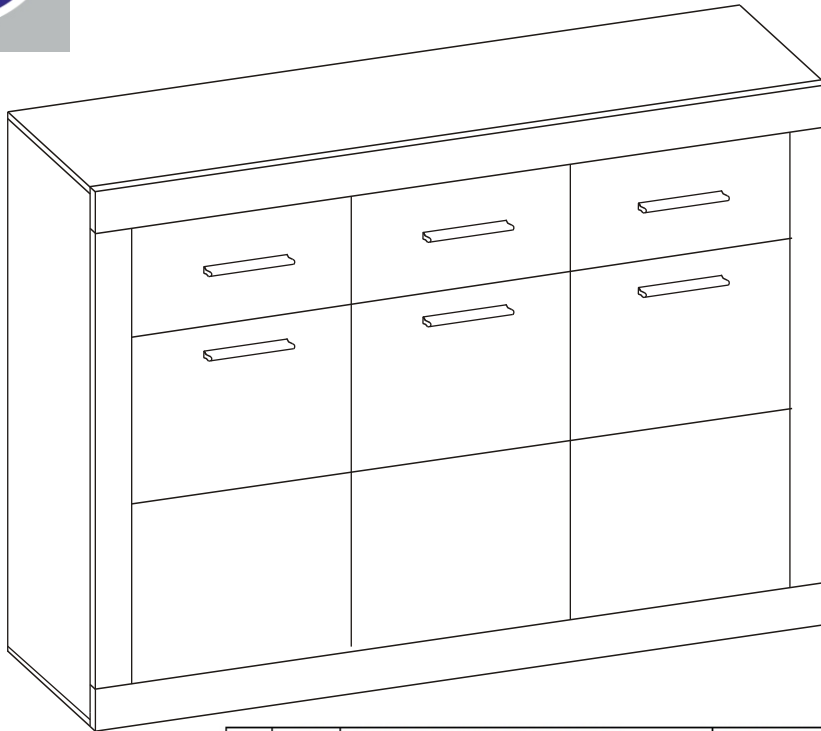


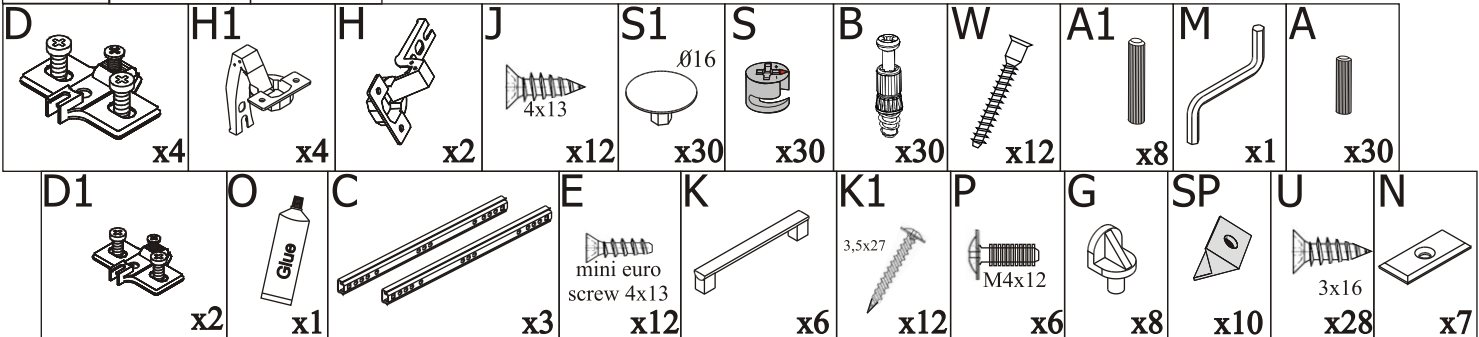
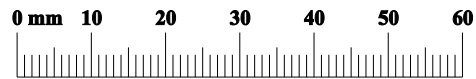
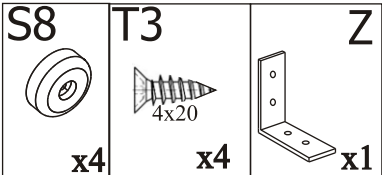
STONE Kommode 2

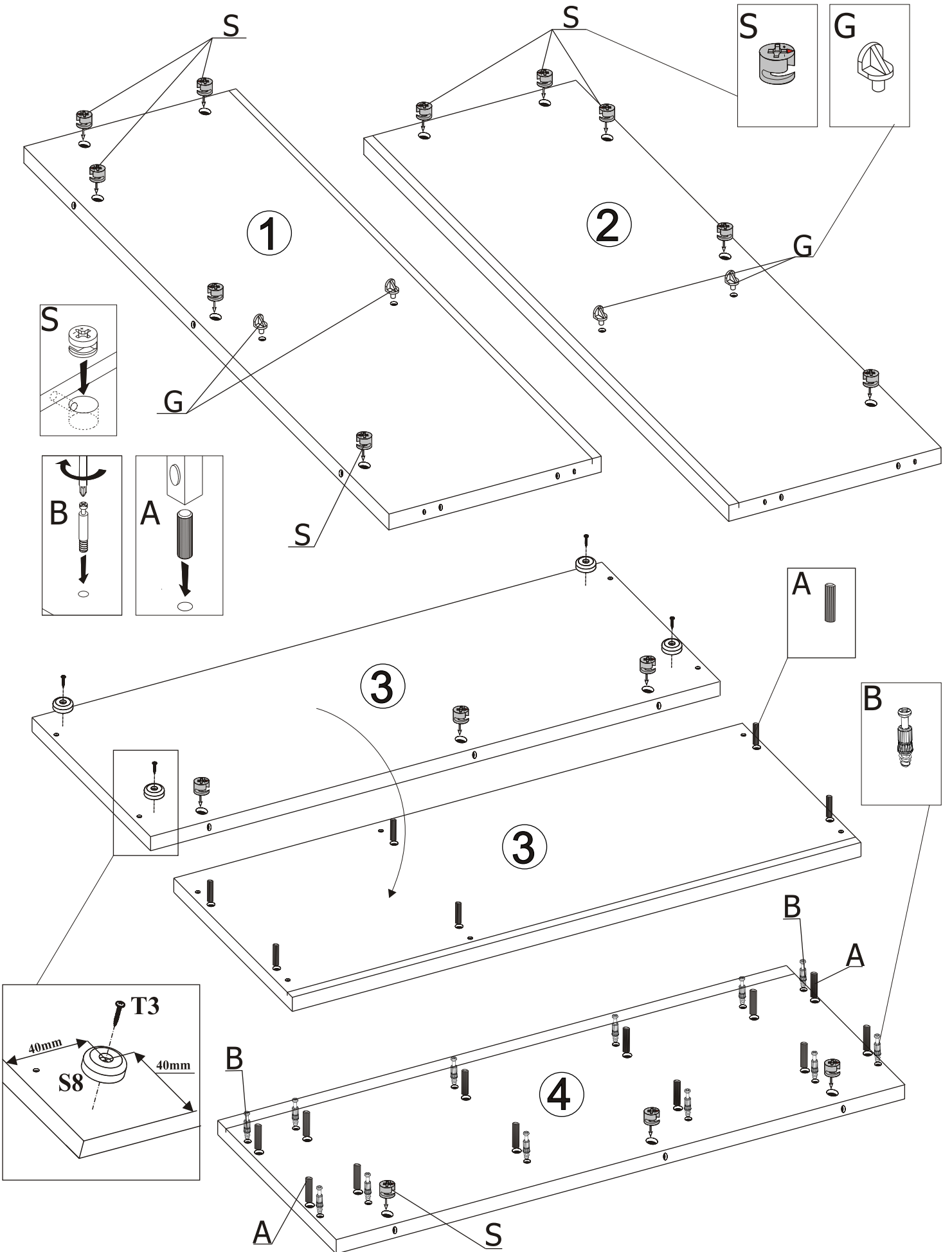
Nr 1/8

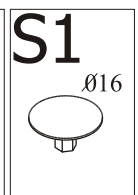
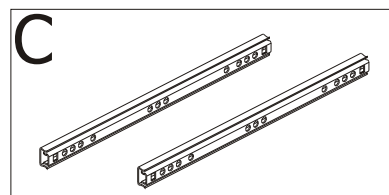
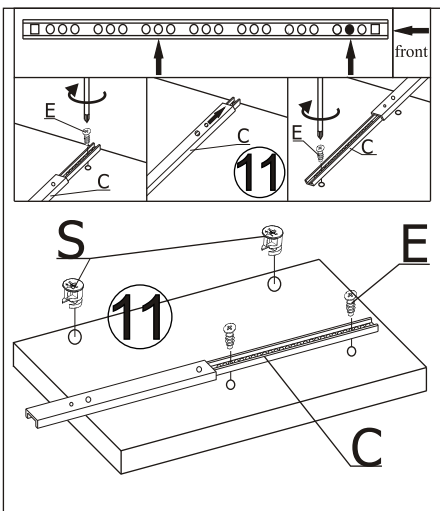
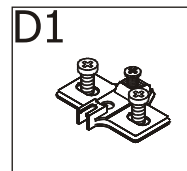
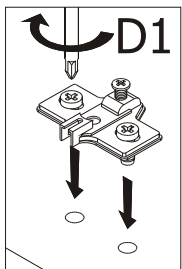
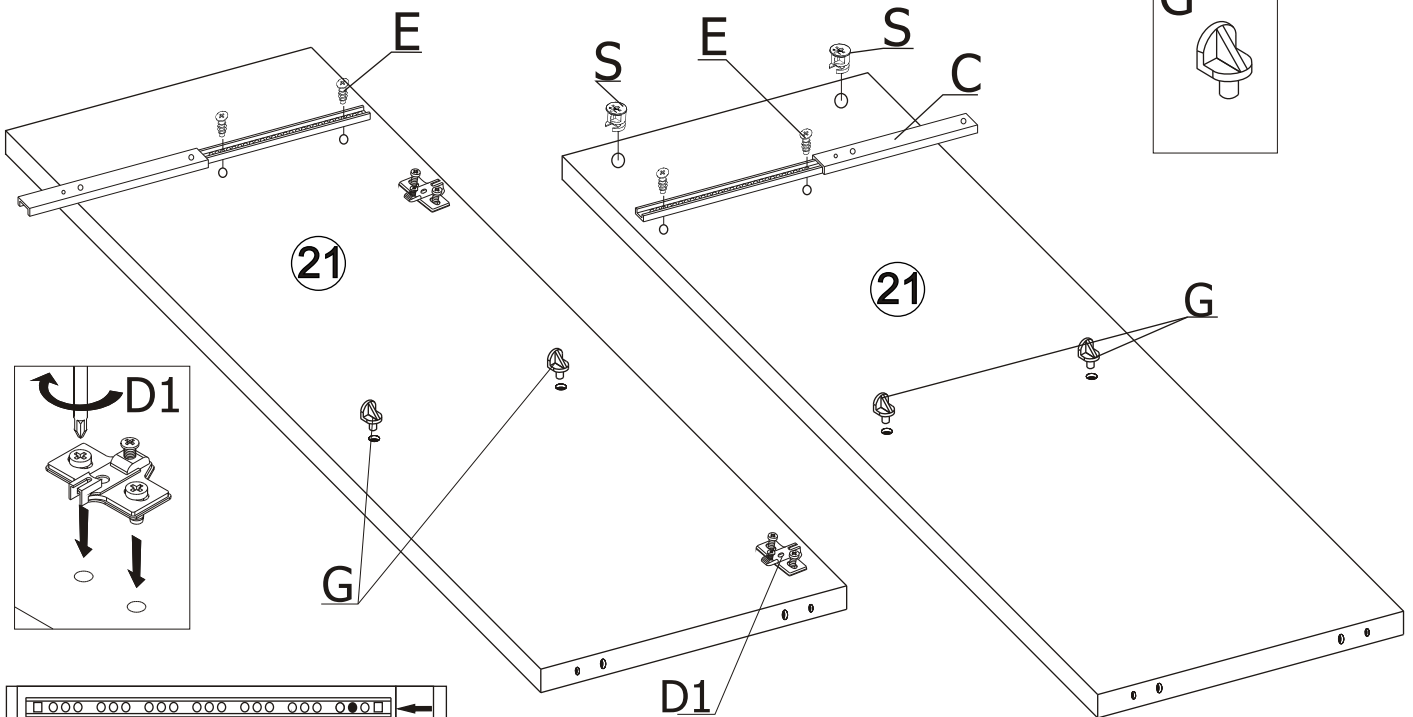
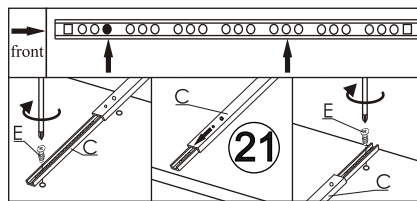
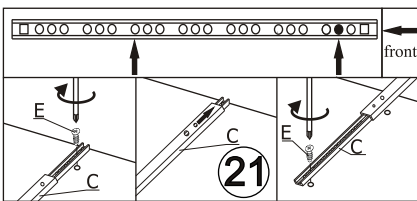
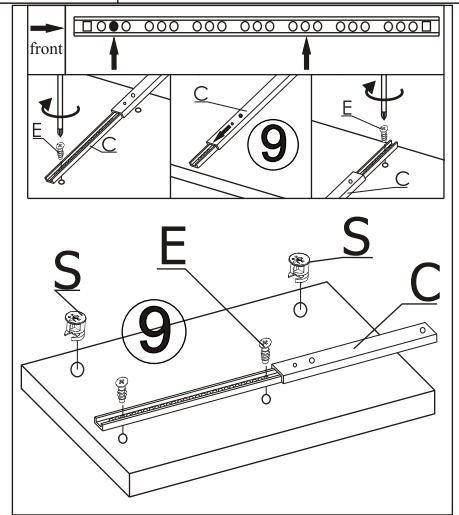
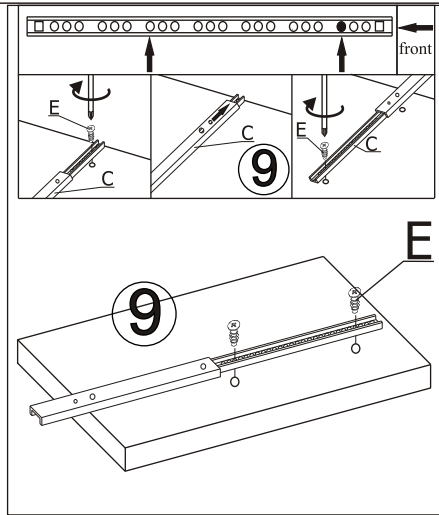
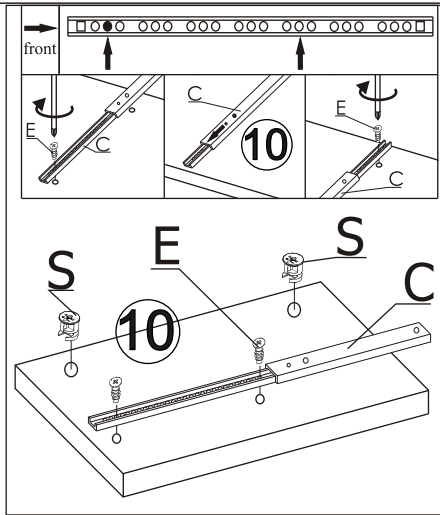


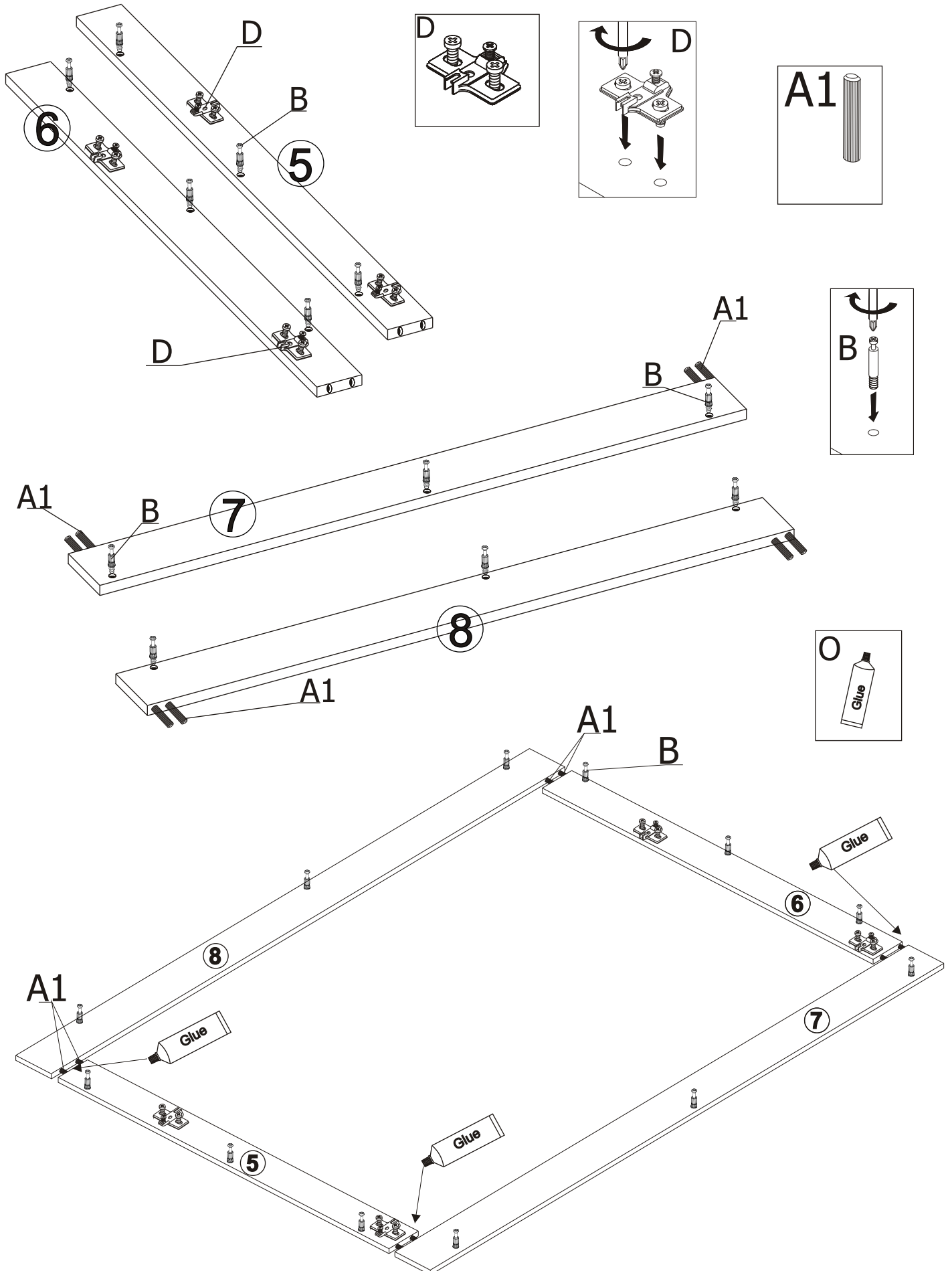
1/2	13	EL-STO-KOM-2-BOK-SZ-L-BE	16x310x110	x3
	14	EL-STO-KOM-2-BOK-SZ-P-BE	16x310x110	x3
	3	EL-STO-KOM-2-DACH-D-BE	16x350x1.170	x1
	4	EL-STO-KOM-2-DACH-G-BE	16x350x1.170	x1
	16	EL-STO-KOM-2-DNO-SZ-HDF-BI	3x307x317	x3
	6	EL-STO-KOM-2-LIST-L-BE	16x60x759	x1
	5	EL-STO-KOM-2-LIST-P-BE	16x60x759	x1
	8	EL-STO-KOM-2-LIST-G-BE	16x1.171x60	x1
	7	EL-STO-KOM-2-LIST-D-BE	16x1.171x60	x1
	22	EL-STO-KOM-2-PLECY-HDF-L-BI	3x864x402	x1
	22	EL-STO-KOM-2-PLECY-HDF-P-BI	3x864x402	x1
20	EL-STO-KOM-2-PLECY-HDF-S-BI	3x349x864	x1	
24	EL-STO-KOM-2-PÓŁKA-D-BE	16x331x735	x1	
23	EL-STO-KOM-2-PÓŁKA-M-BE	16x331x385	x1	

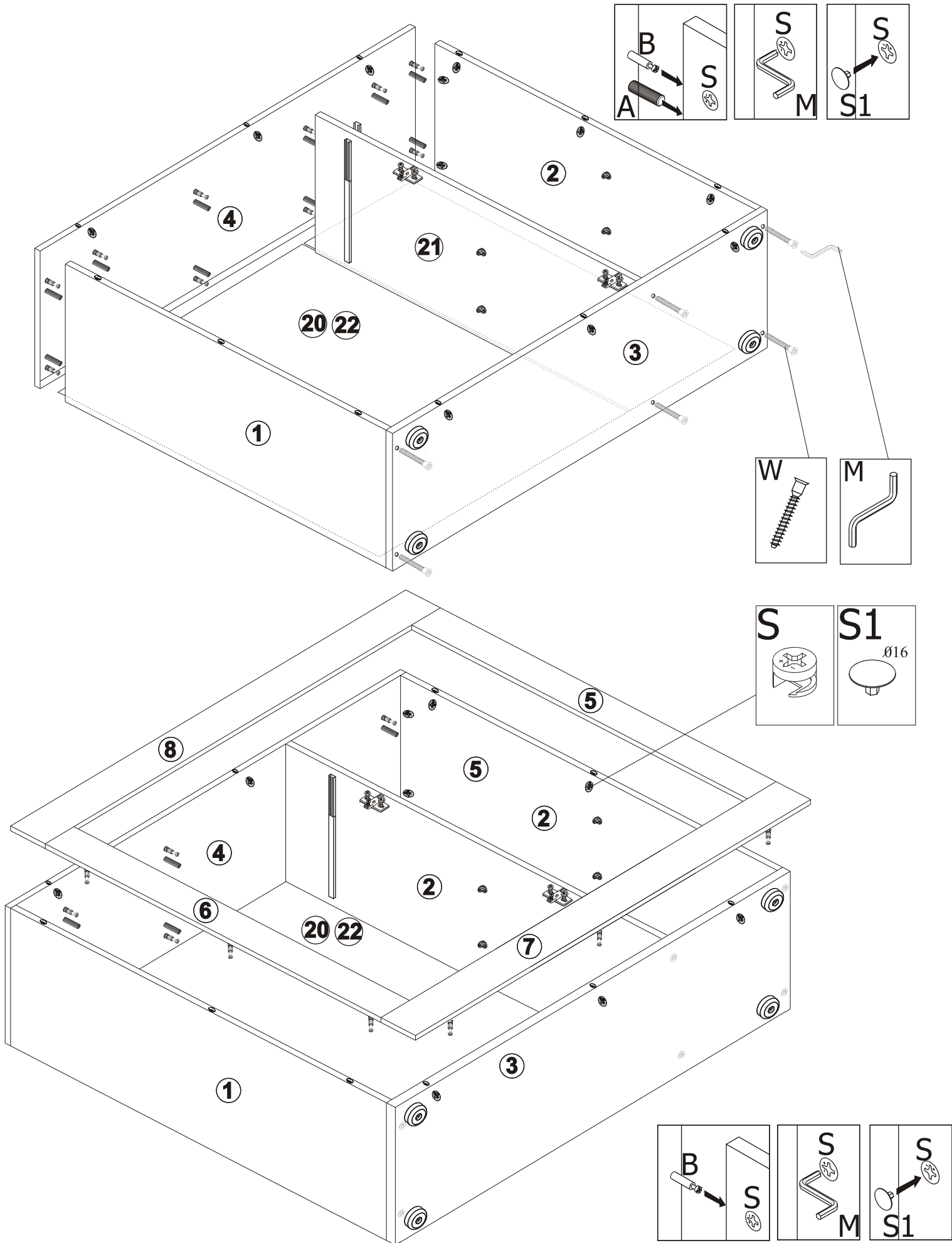
2/2	1	EL-STO-KOM-2-BOK-L-BE	16x350x848	x1
	2	EL-STO-KOM-2-BOK-P-BE	16x350x848	x1
	12	EL-STO-KOM-2-FRO-SZ-BI POŁ	16x346x150	x3
	21	EL-STO-KOM-2-PRZE-D-BE	16x331x848	x1
	10	EL-STO-KOM-2-PRZE-L-BE	16x331x200	x1
	11	EL-STO-KOM-2-PRZE-P-BE	16x331x200	x1
	9	EL-STO-KOM-2-PRZE-S-BE	16x331x200	x1
	15	EL-STO-KOM-2-TYL-SZ-BE	16x293x94	x3
	19	EL-STO-KOM-2-FRO-L-BI POŁ	16x346x600	x1
	18	EL-STO-KOM-2-FRO-S-BI POŁ	16x346x600	x1
17	EL-STO-KOM-2-FRO-P-BI POŁ	16x346x600	x1	

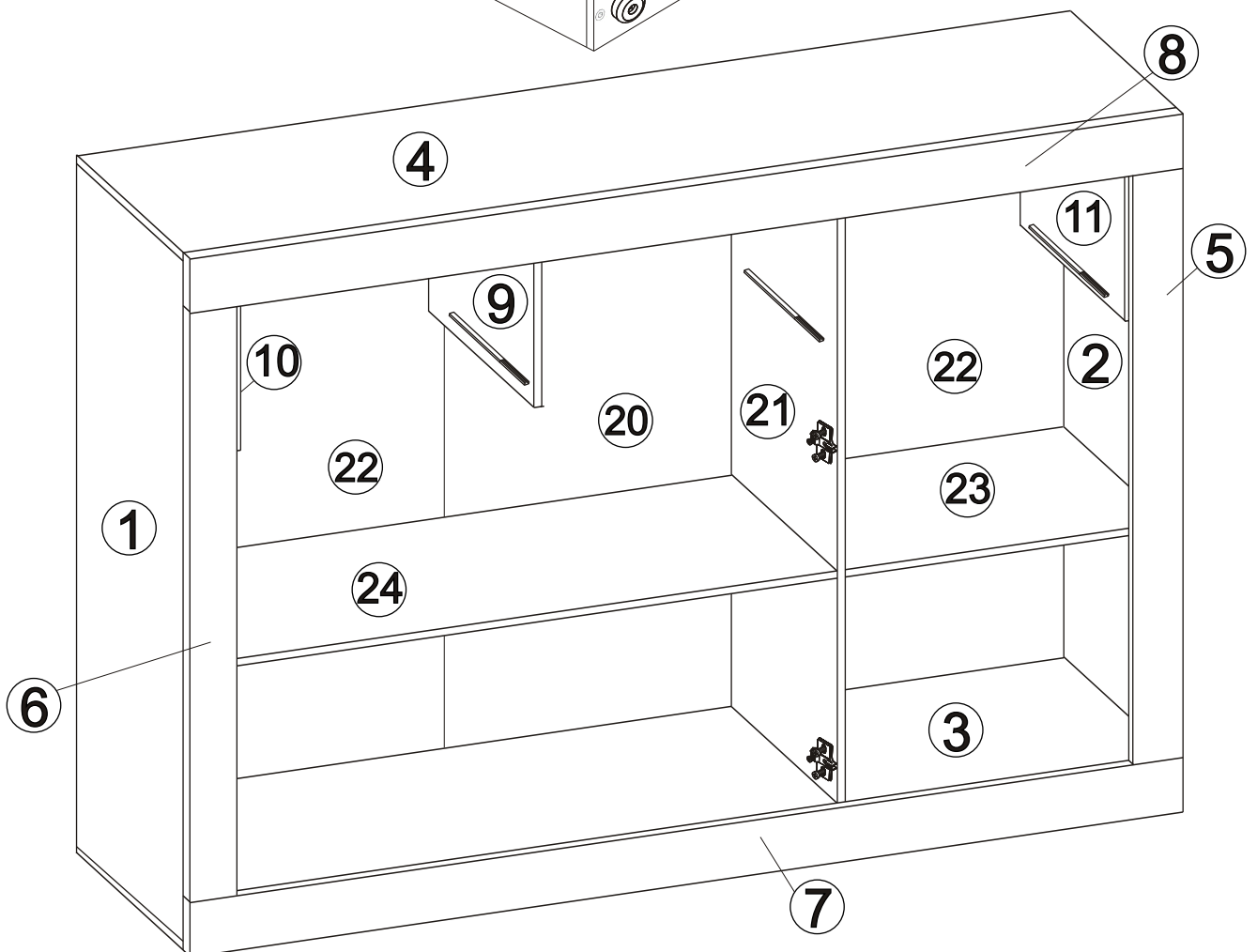
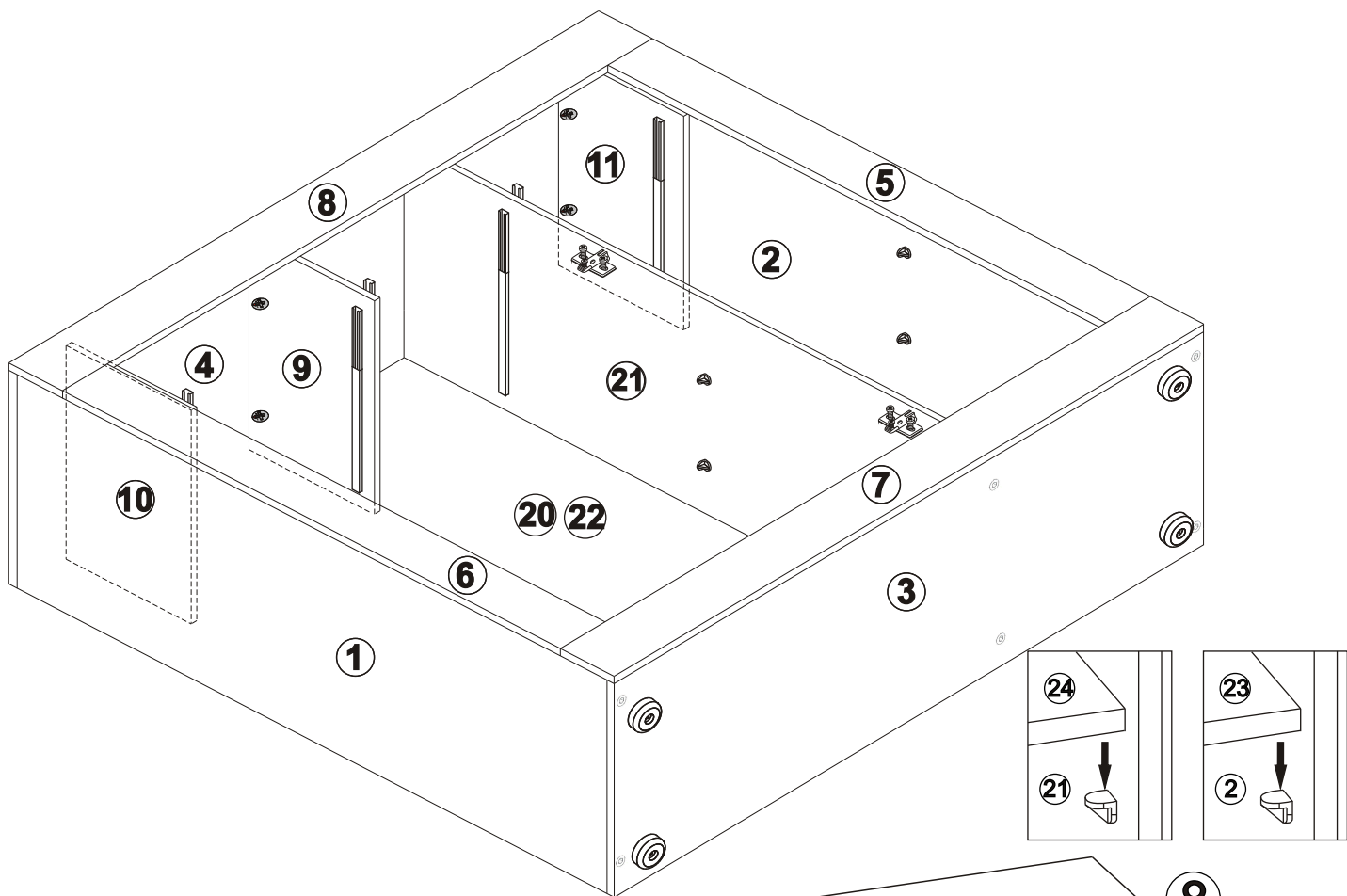


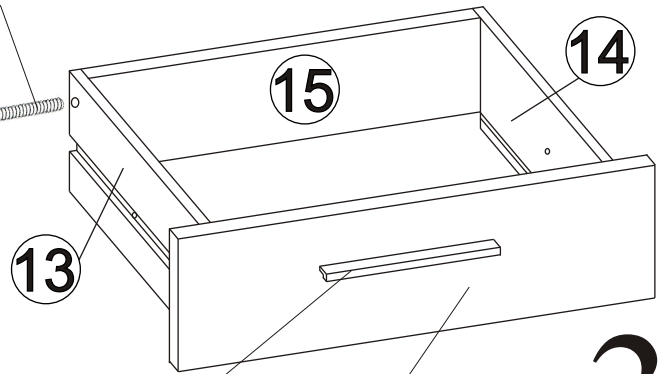
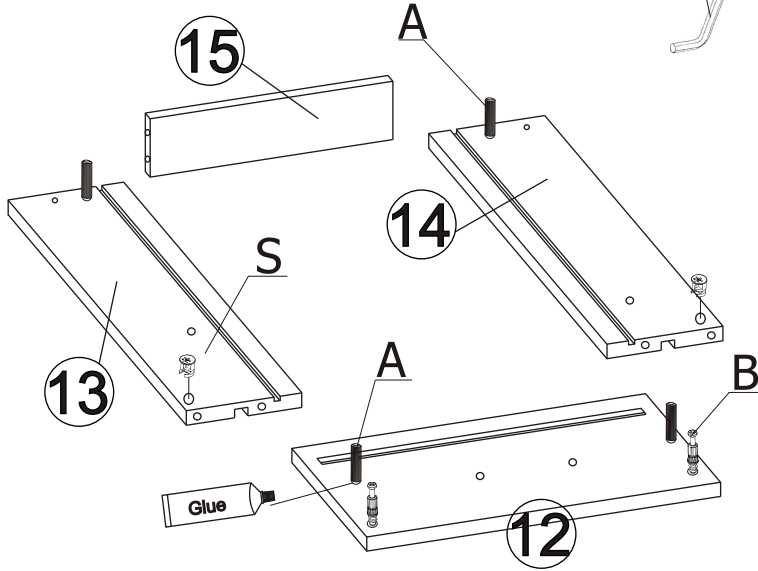
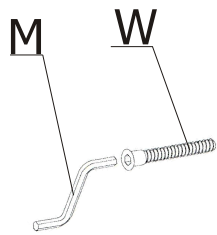
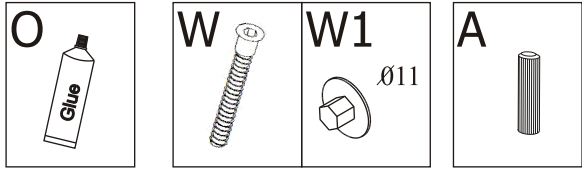












x3

