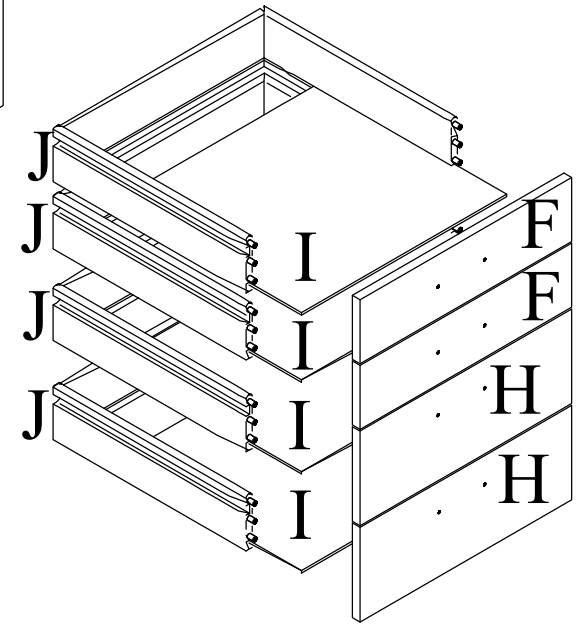
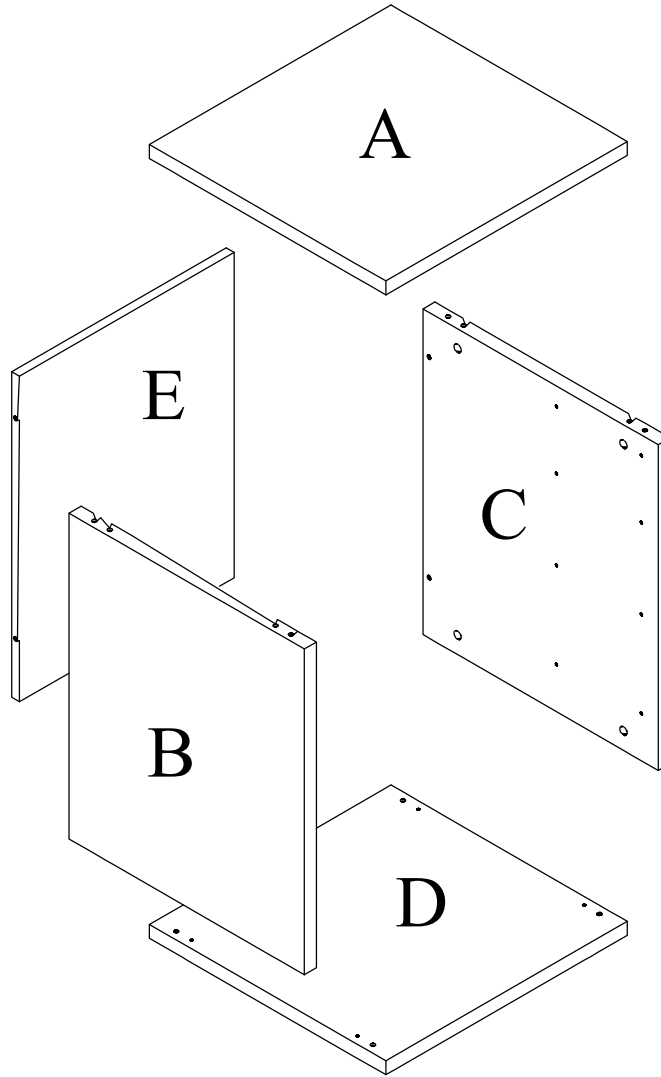
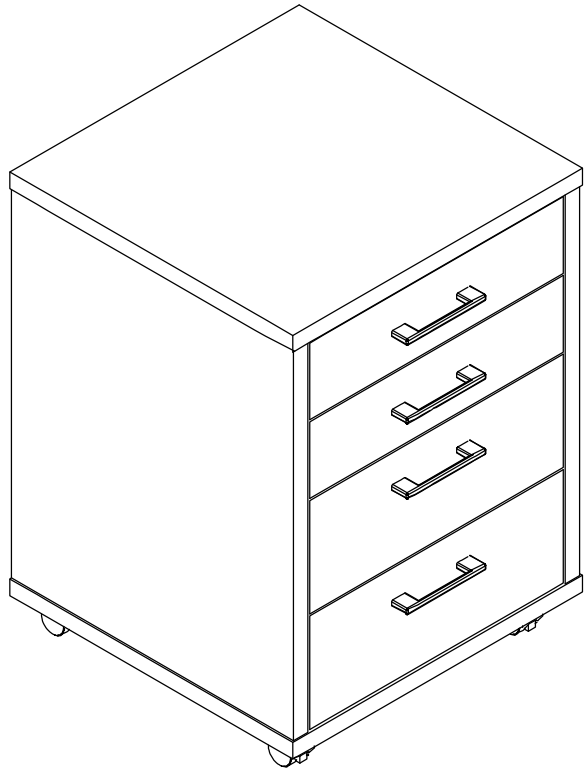


SC-225  
RIO



0	1	2	3	4	5	6	0024K	8x	0112K	4x
---	---	---	---	---	---	---	-------	----	-------	----

0024K: A long metal rail with four holes and a central slot.

0112K: A circular component with a mounting plate and a central protrusion.

0013K	1x	0001K	12x	0018K	8x	0019K	8x	0002V	16x
-------	----	-------	-----	-------	----	-------	----	-------	-----

0013K: A bent metal strip.

0001K: A cylindrical pin, 8x40.

0018K: A small circular component with a cross-shaped hole.

0019K: A long screw with a wide head.

0002V: A small screw, 3,5x16.

0017U	4x	0010K	8x	0011K	2x	0006V	16x	0006K	8x
-------	----	-------	----	-------	----	-------	-----	-------	----

0017U: A long metal strip with a notch.

0010K: A small screw, M 4x30.

0011K: A small metal component with a curved shape.

0006V: A screw, 4x16.

0006K: A small screw.

1.)

0024K	8x
-------	----

0024K: A long metal rail.

0002V: A screw, 3,5x16.

0019K: A long screw, 8x.

0002V: A screw, 16x.

0002V: A screw, 3,5x16.

2.)

0001K: A cylindrical pin, 12x.

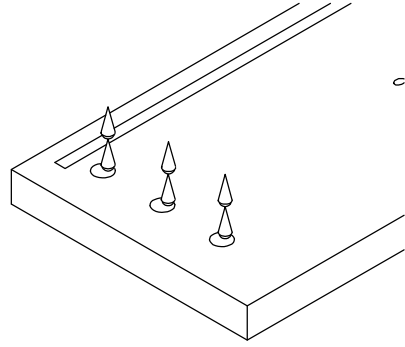
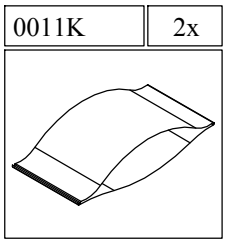
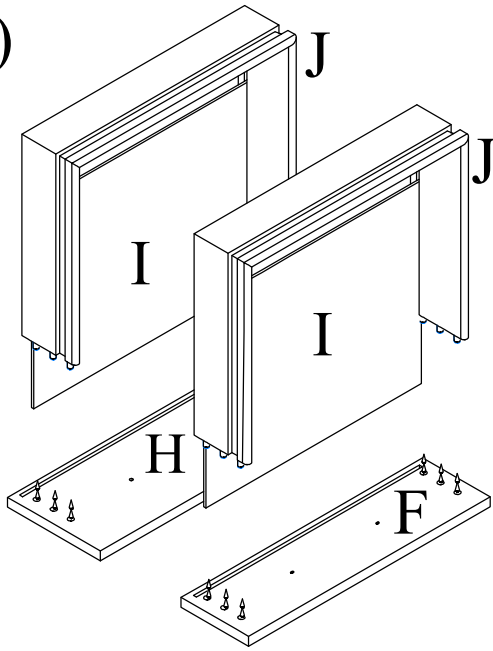
0001K: A cylindrical pin, 8x40.

3.)

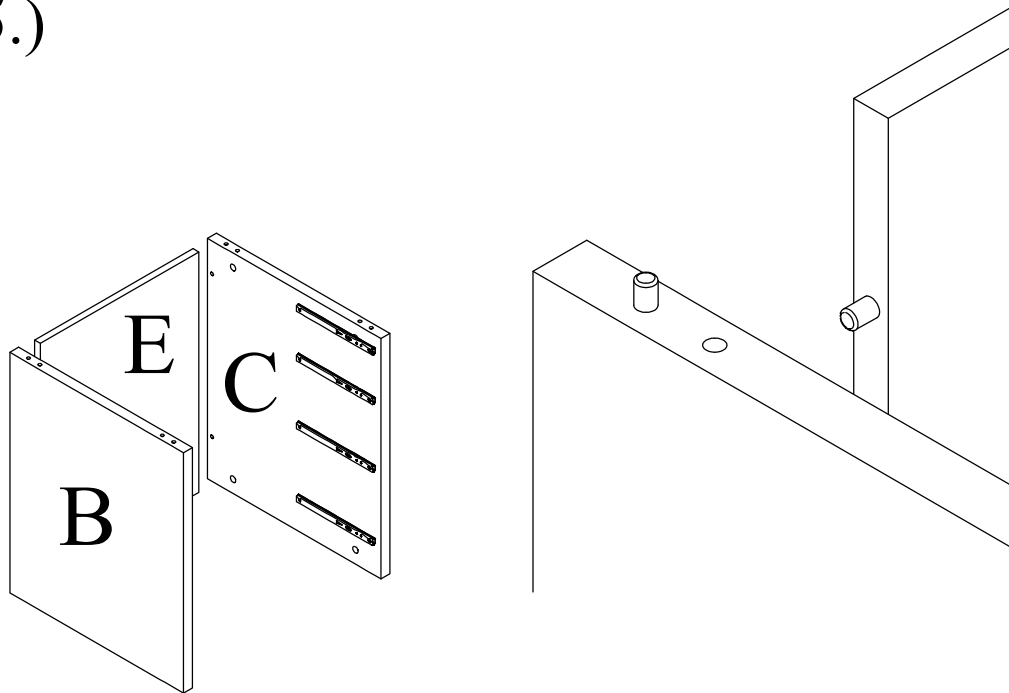
0019K: A long screw, 8x.

0019K: A long screw, 8x.

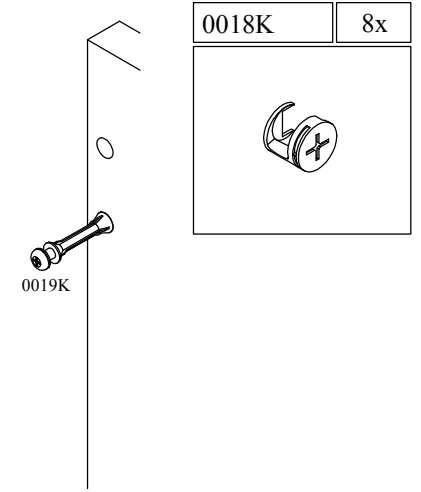
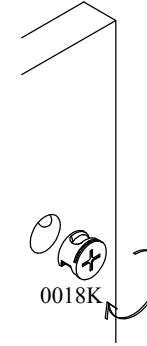
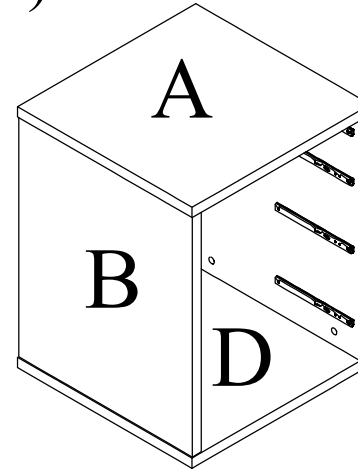
4.)



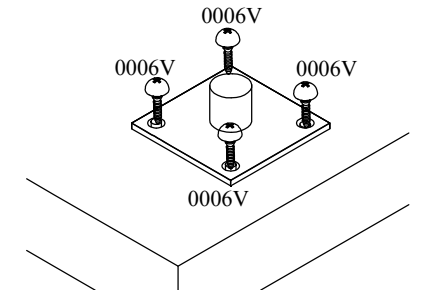
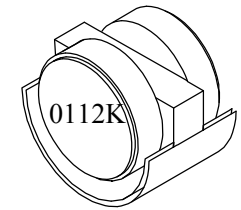
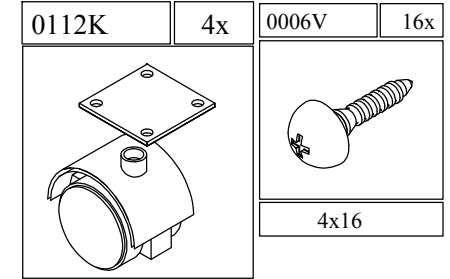
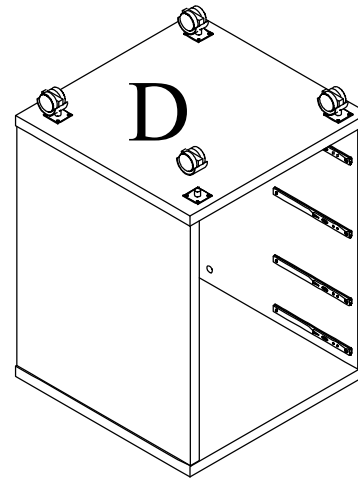
5.)



6.)



7.)



8.)

