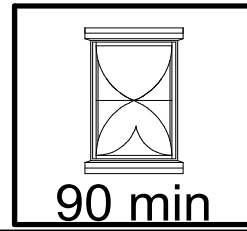
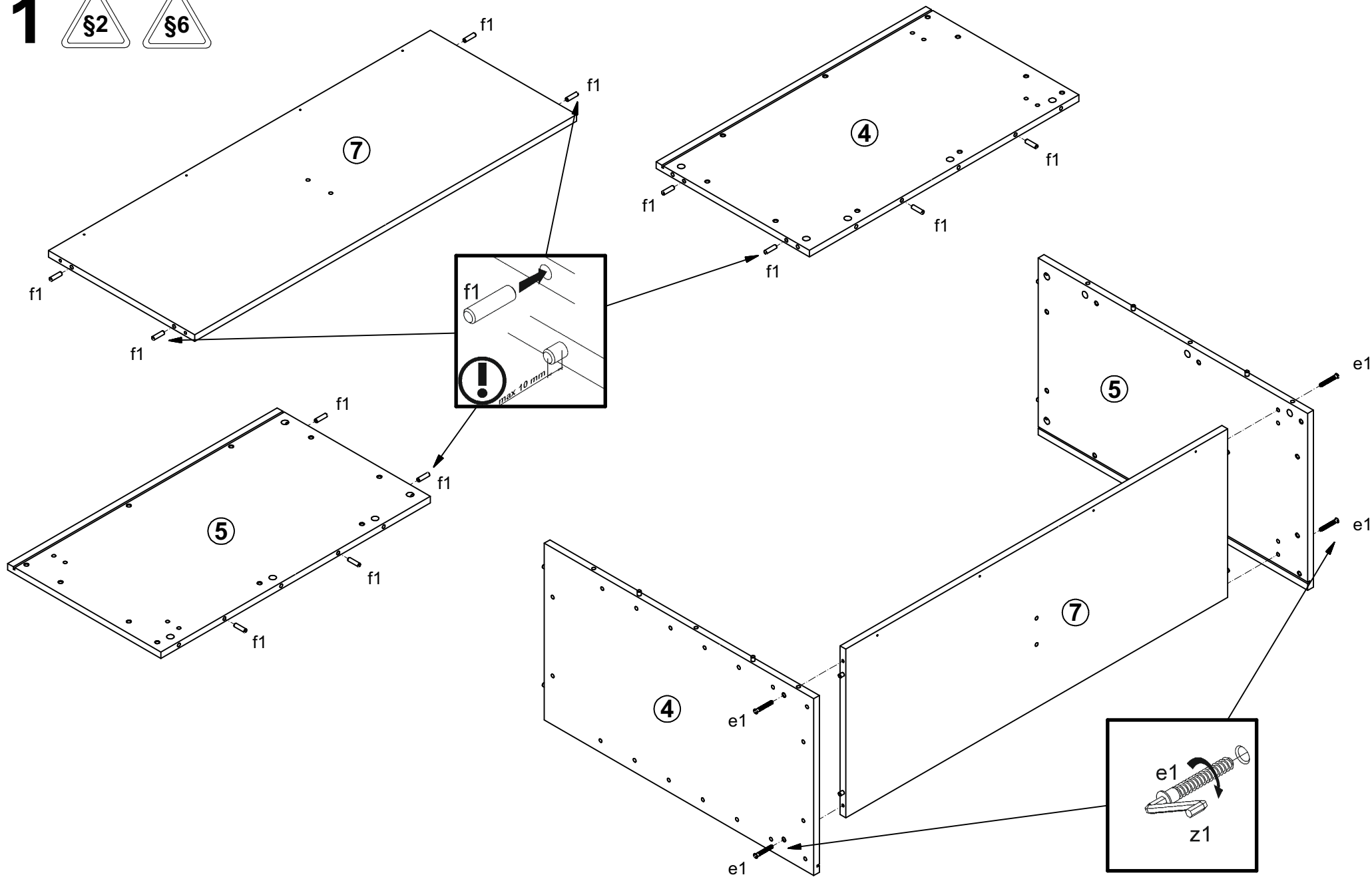


A	B	C (mm)		D
1	S228-0012	984	192	1/2
2	S228-121	666,5	376	2/2
3	S228-122	666,5	376	2/2
4	S228-123	758	431	2/2
5	S228-124	758	431	2/2
6	S228-2208	1106	431	1/2
7	S228-3325	1074	411	1/2
8	S228-4408	978	60	1/2
9	S228-531	147	100	2/2
10	S228N-5511	990	80	1/2
11	S228N-5539	431	80	2/2
12	S228N-5540	766	58	2/2
13	S228N-5541	756	58	1/2
14	S228N-5542	315	80	1/2
15	S228N-5543	1151	80	1/2
16	S228N-5544	1072	60	1/2
17	S228N-5545	756	80	1/2
18	S228N-5546	756	80	1/2
19	S228-957	1084	342	1/2
20	S228-9976	948	358	1/2
21	BPK-511	350	140	2/2
22	BPK-512	350	140	2/2
23	ZBK-510	938	127	1/2
24	S228-959	1084	342	1/2
25	Lh-1044	1044	14	1/2

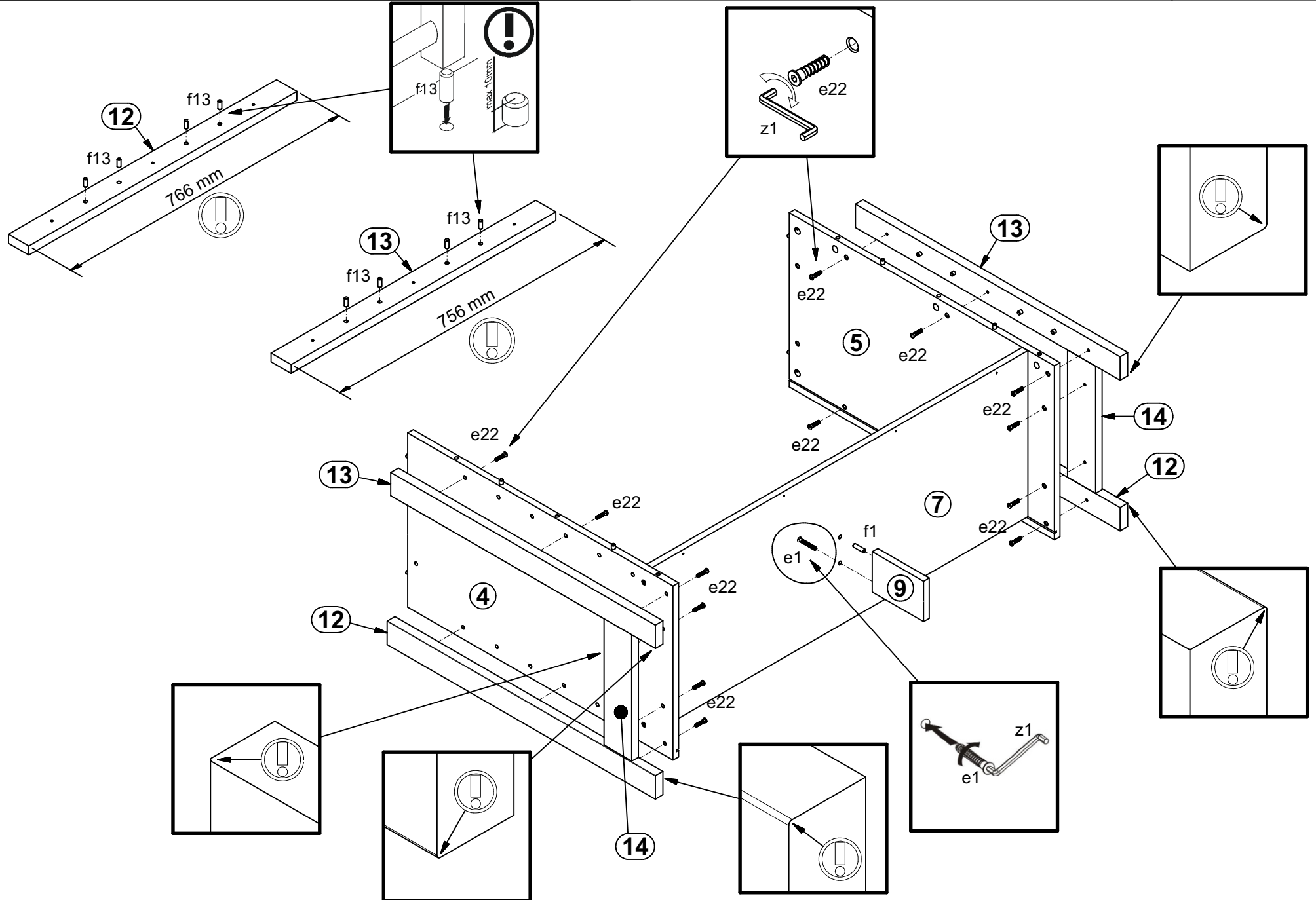


3x 192 mm c2801	4x d36	5x W7 x50 mm e1	20x W7 x28 mm e22	24x W8 x13 mm e3	31x W8 x30 mm f1	16x W8 x20 mm f13	12x W8,5 x40 mm f25	1x W11 x50 mm f35	6x M4 x22 mm j30	7x k1	2x k101	10x l1
12x i2	1x 86x21x15/1,5 n1412	1x W5 x60 mm p17	3x W3,5 x16 mm p25	3x W3,5 x10 mm p35	26x W8,5 x16 mm p38	8x W8,5 x15 mm p51	4x W8,5 x20 mm p79	4x W4 x25 mm p8	26x W11,5 x12 mm #16 r1	26x 20/11 r42	3x 350 mm t35	1x z1
3x 350 mm W117L	3x 350 mm W117P											

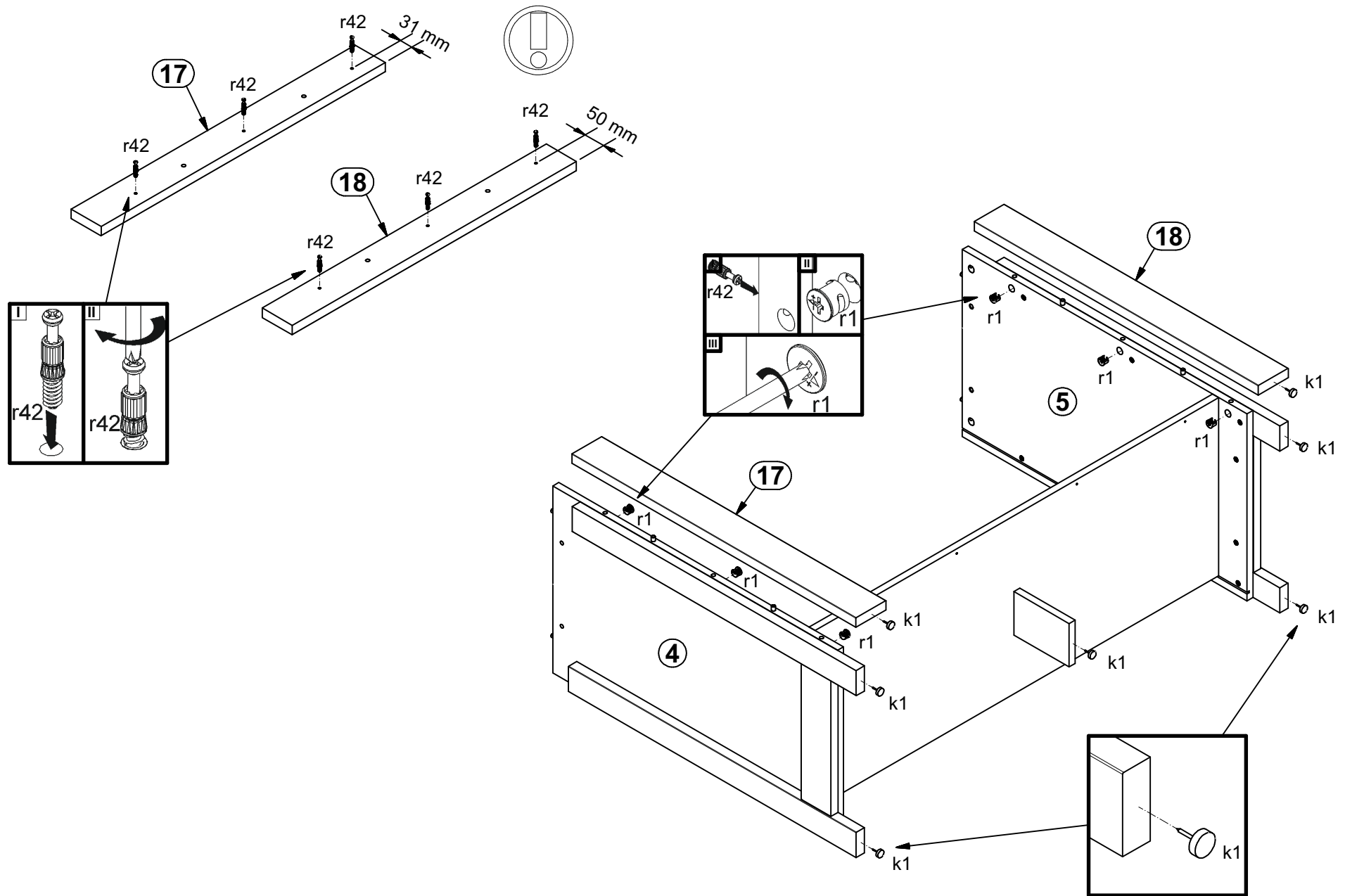
1



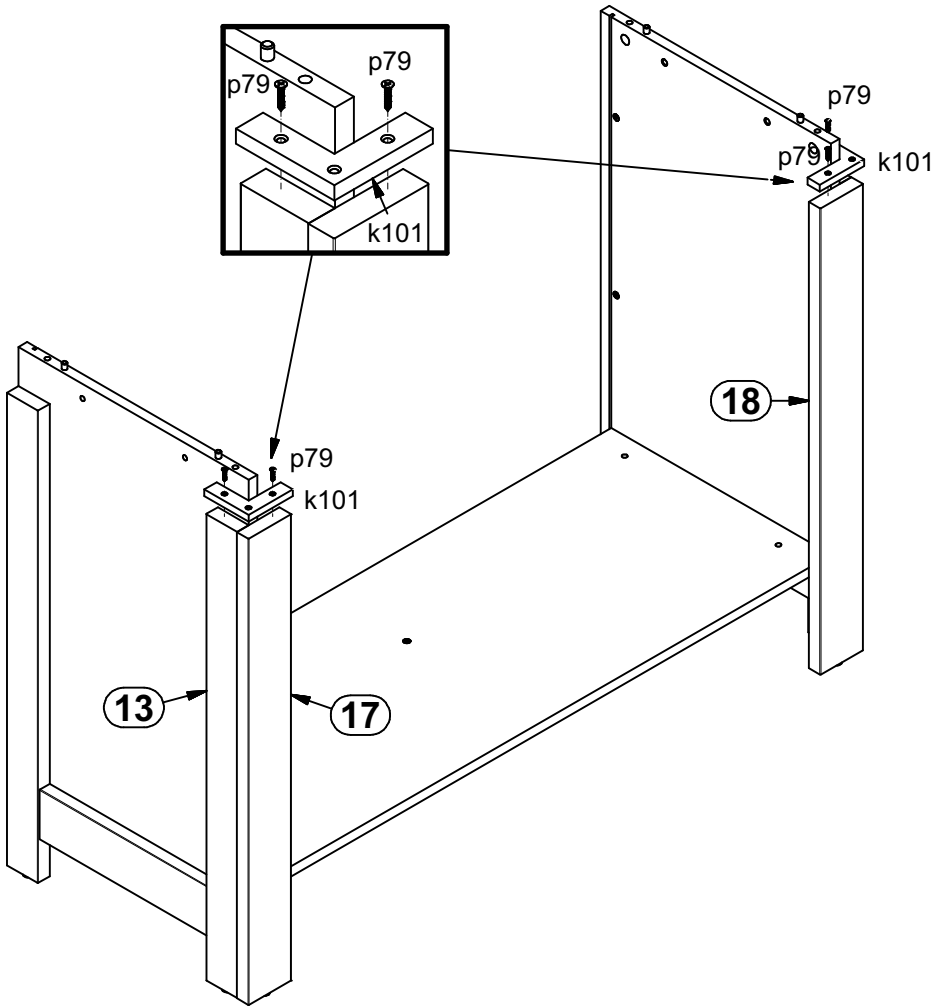
2



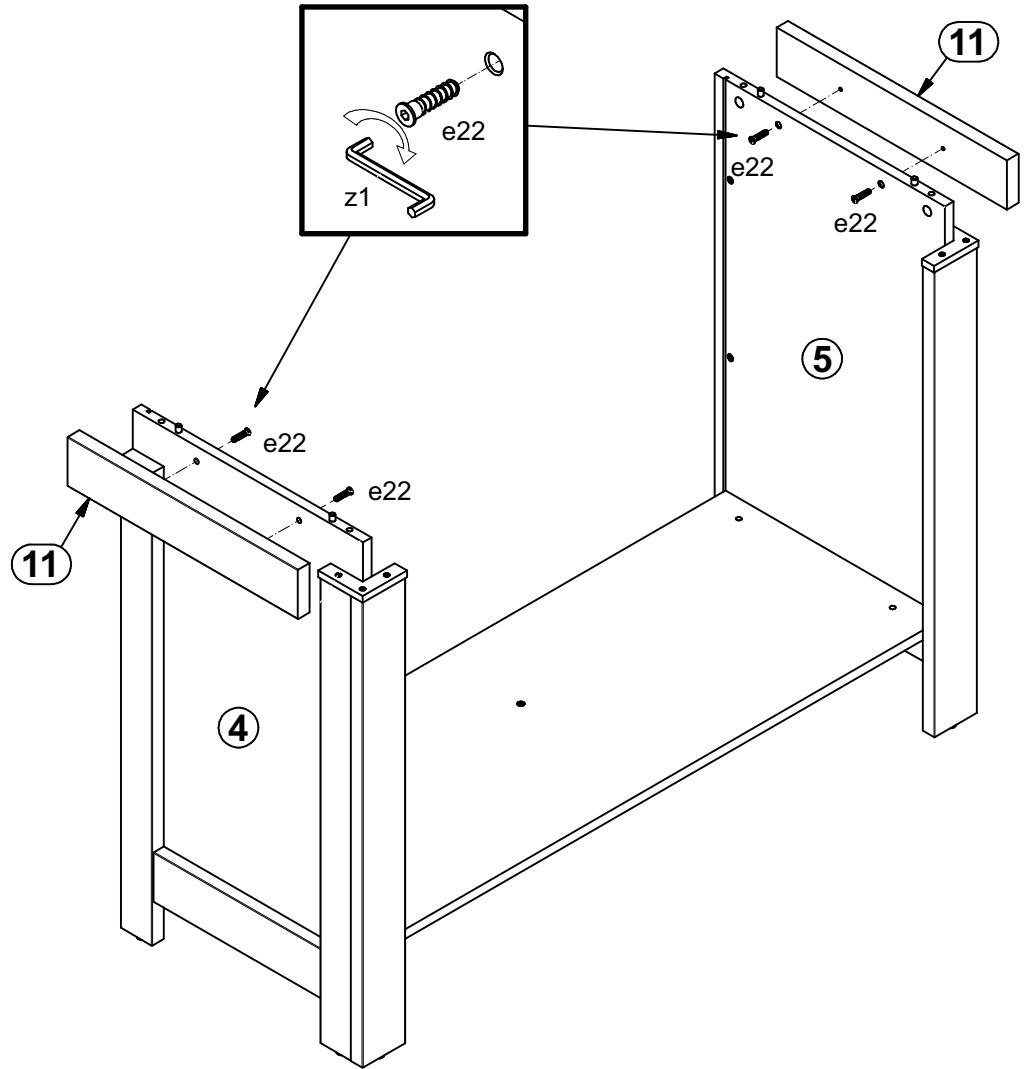
3



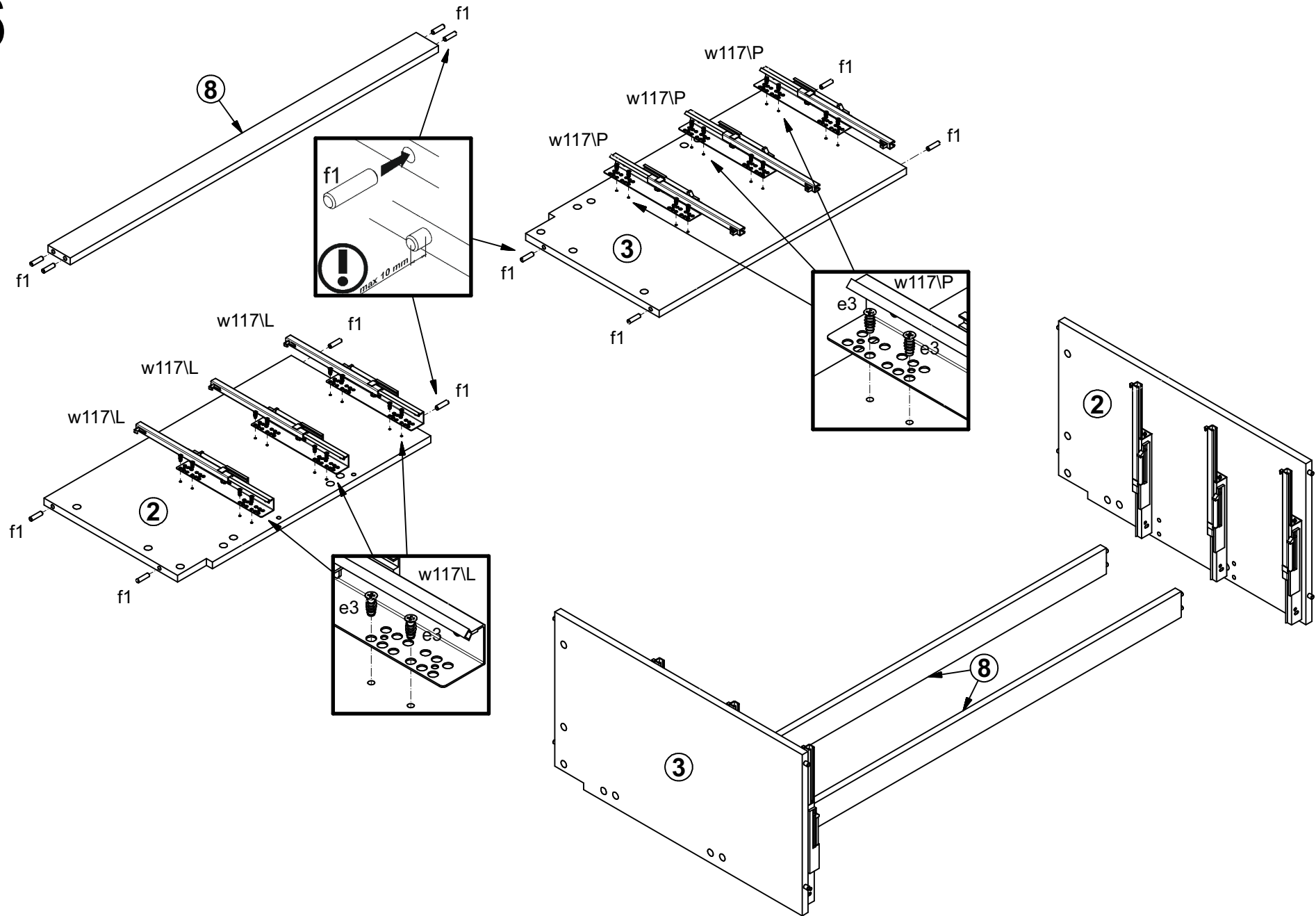
4



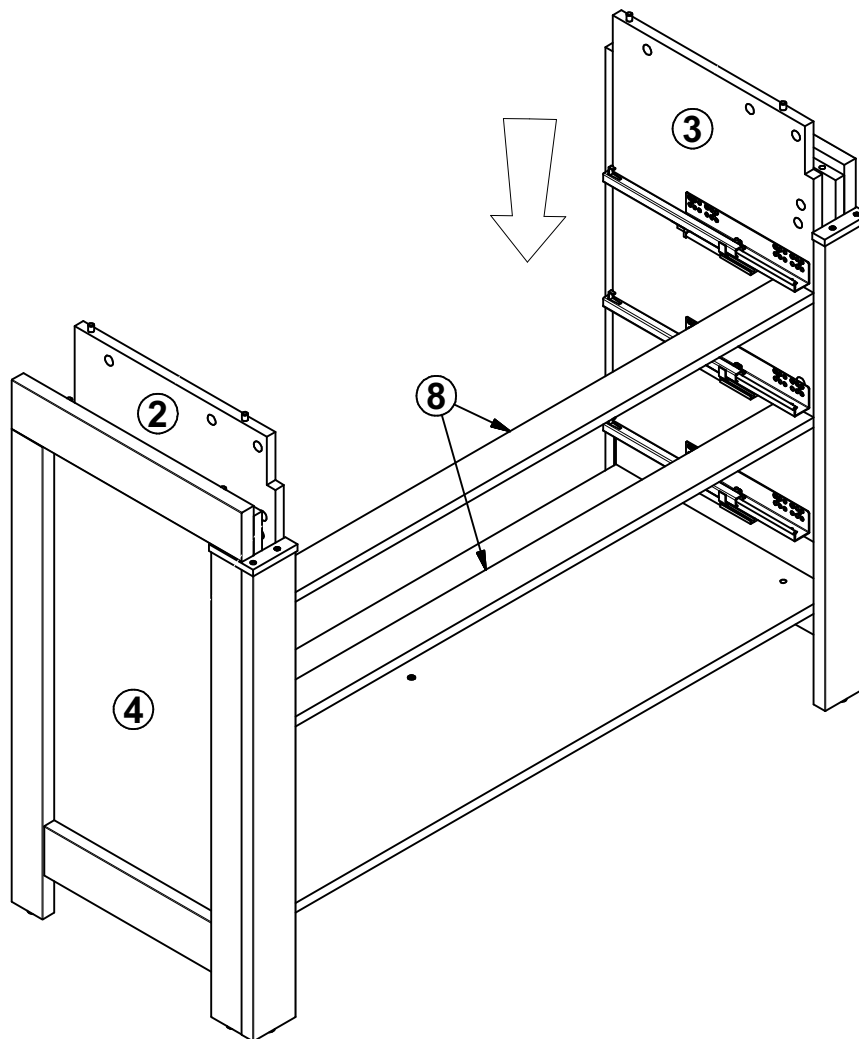
5



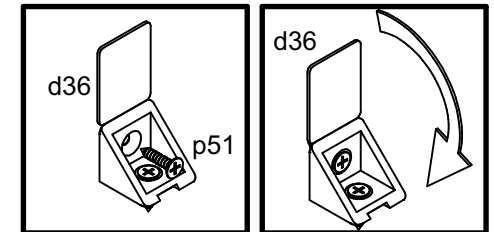
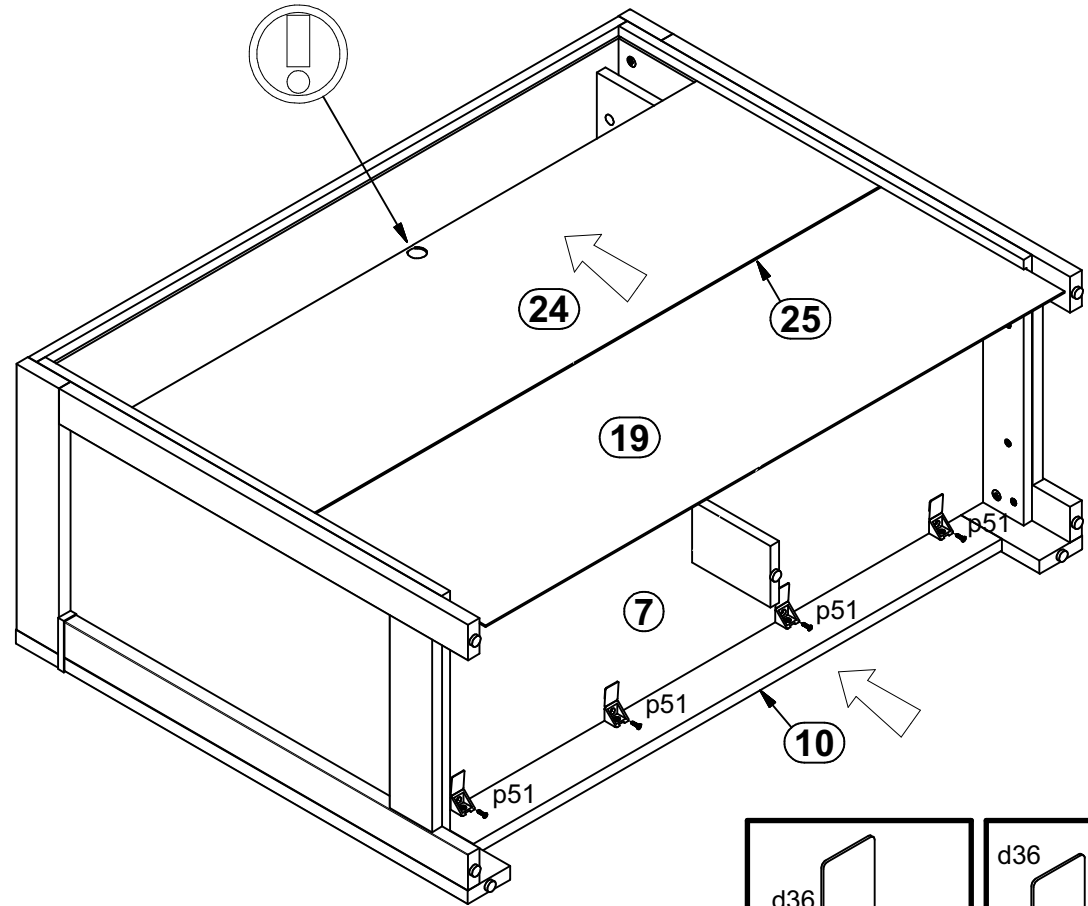
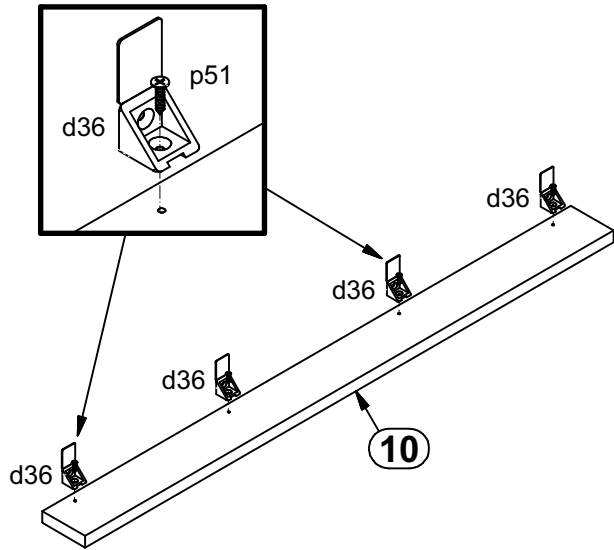
6



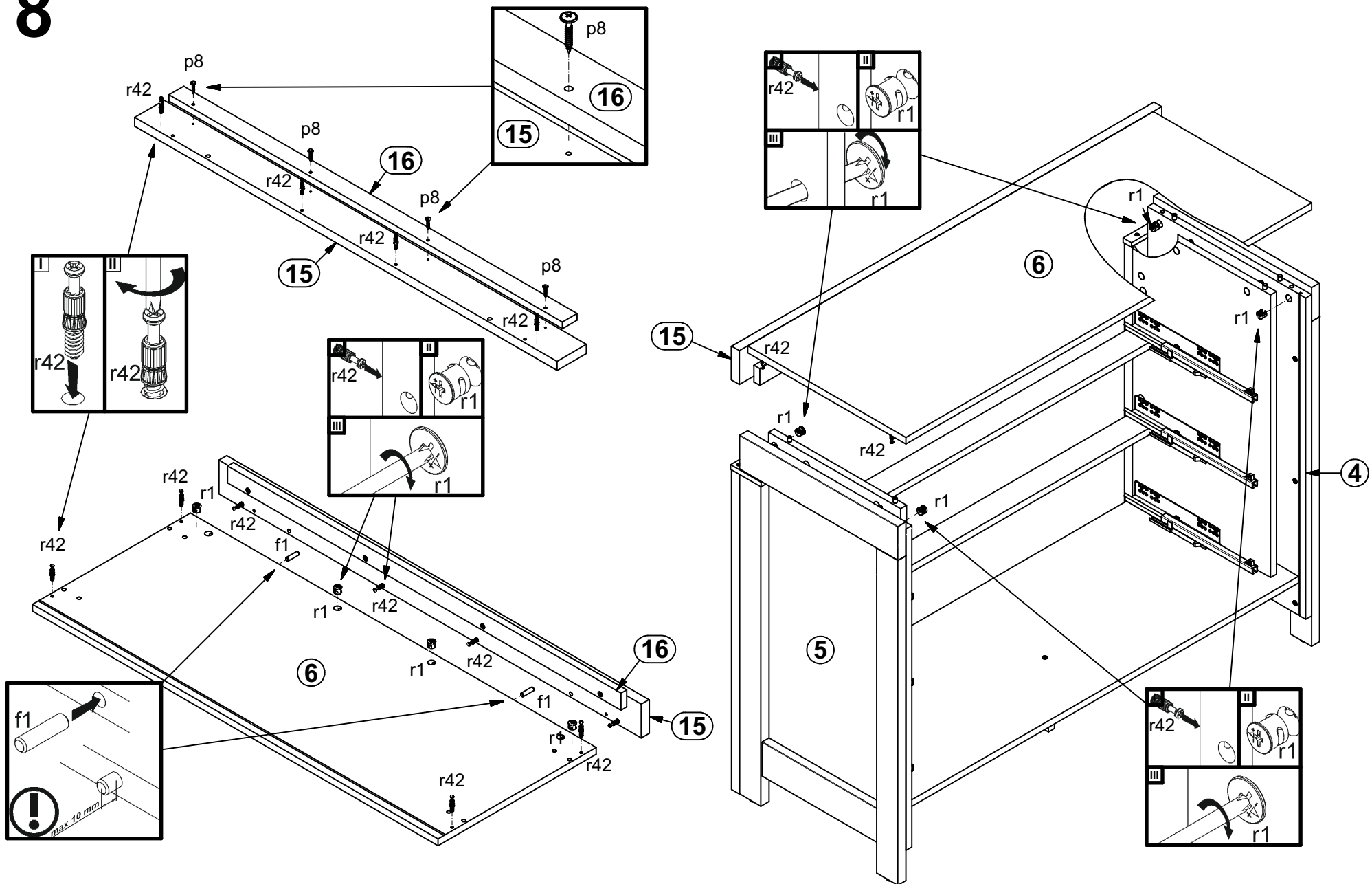
7



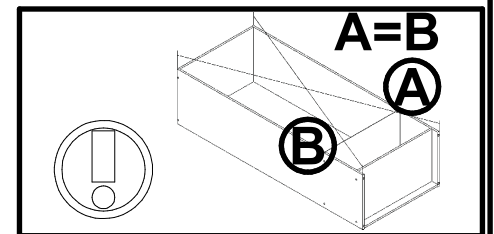
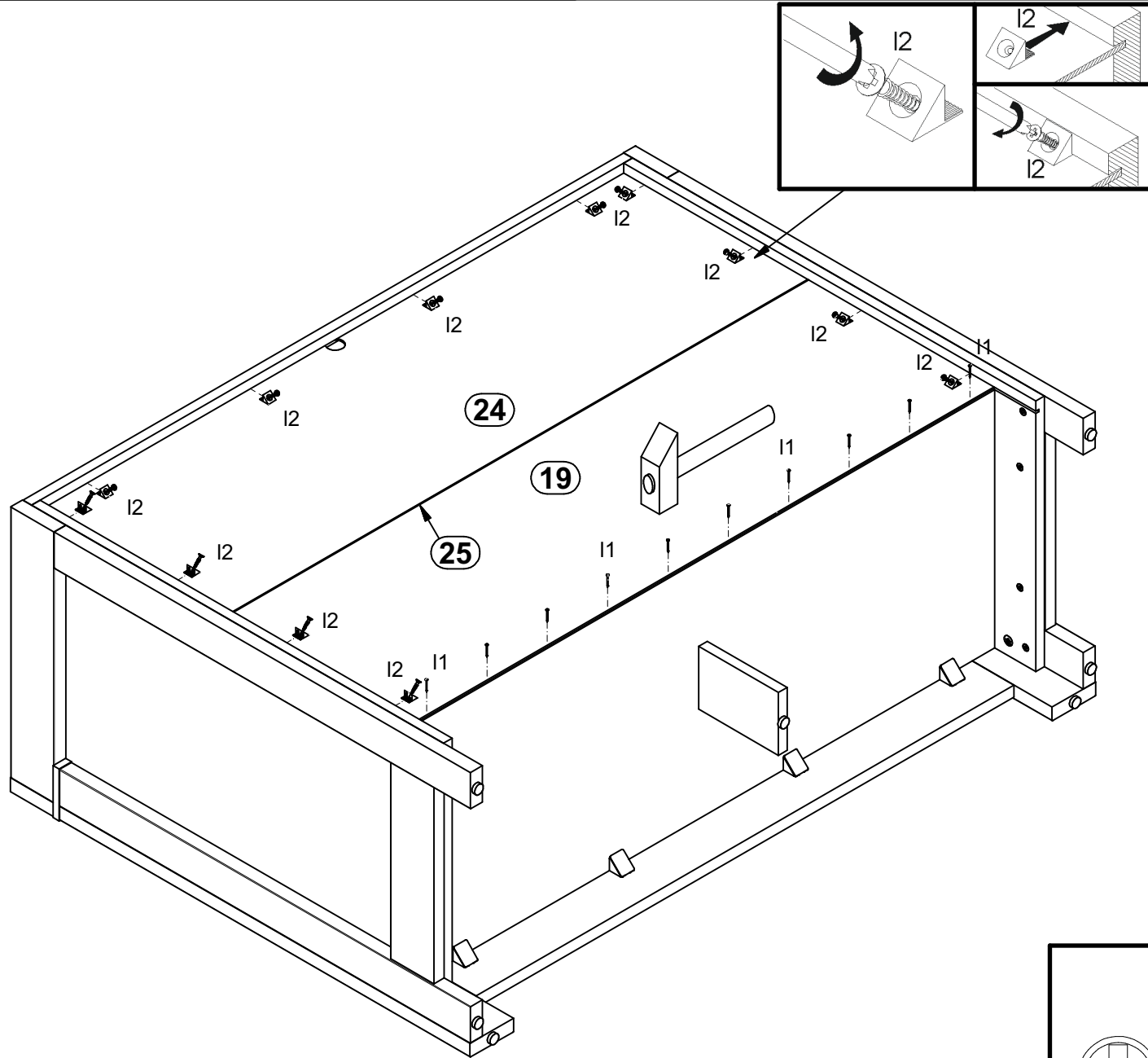
9



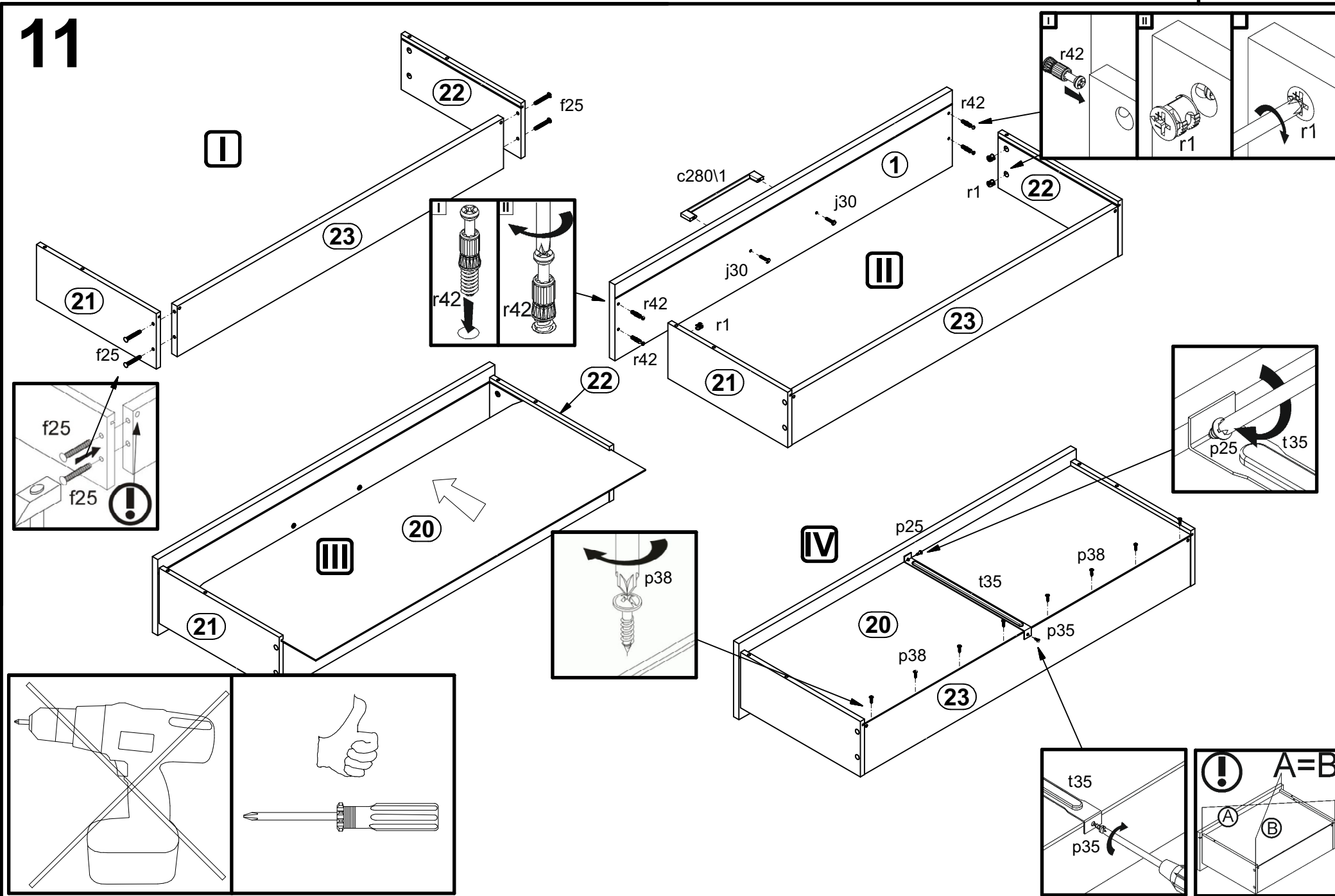
8



10



11



12

